

3.3V Indicator LEDs are to be placed closest to card edge.

D10
SSF-LXH5147SYD

3.3V LEDs

D9
SSF-LXH5147USBD

24V LEDs

Verify that LED footprint puts Chan1 on leftmost (topmost) LED.

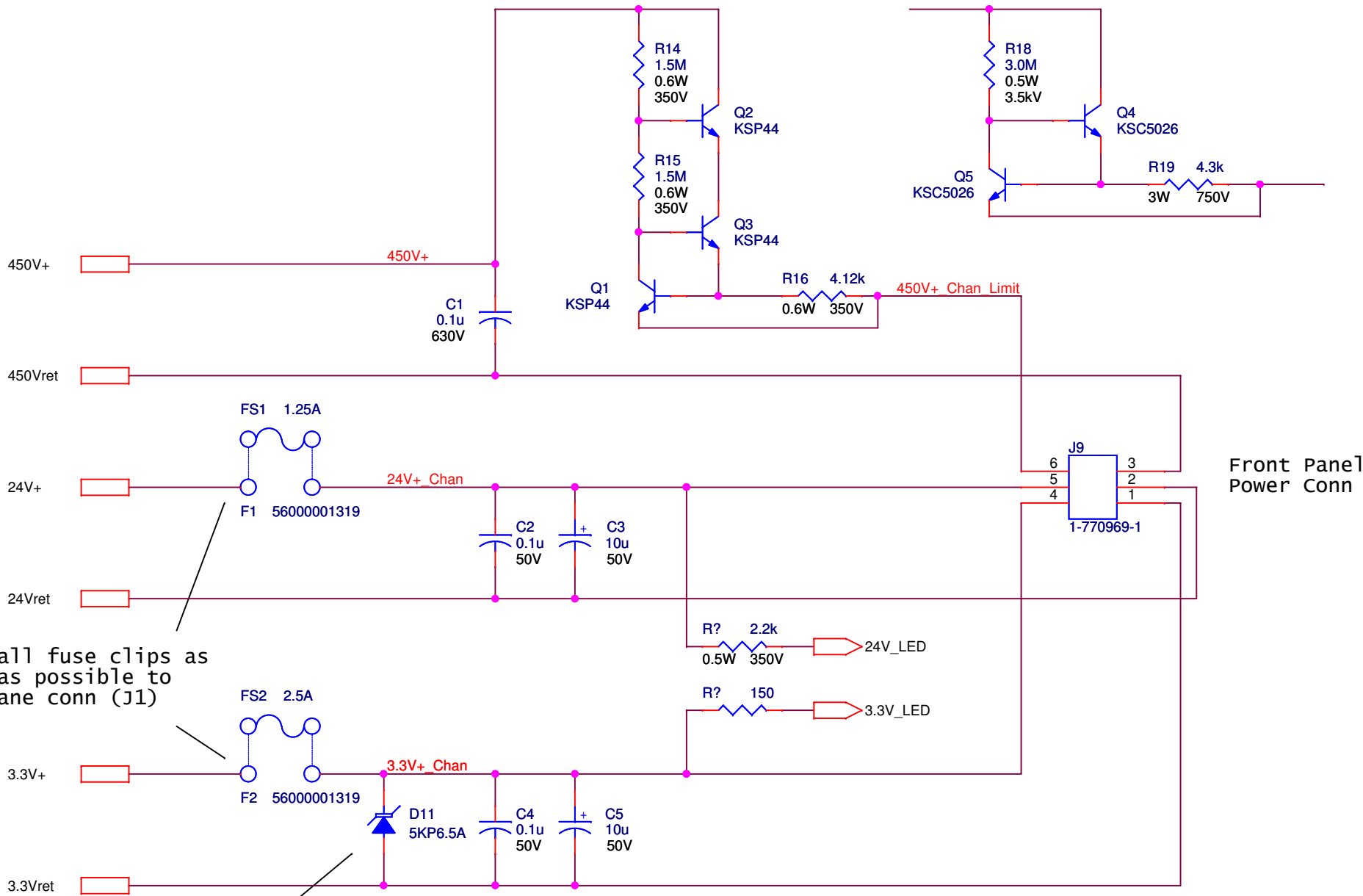
University of Virginia Physics Dept.
382 McCormick Rd, Charlottesville, VA 22904

Title
PDB FEB Card for NOVA Project

Size A	Document Number <Doc>	Rev 3.1
--------	--------------------------	------------

Date: Monday, October 19, 2009 Sheet 1 of 2

Front Panel Mounting Holes



University of Virginia Physics Dept. 382 McCormick Rd, Charlottesville, VA 22904		
Title PDB Power Channel for NOVA Project		
Size A	Document Number <Doc>	Rev 3.1
Date: Monday, October 19, 2009	Sheet 2 of 2	