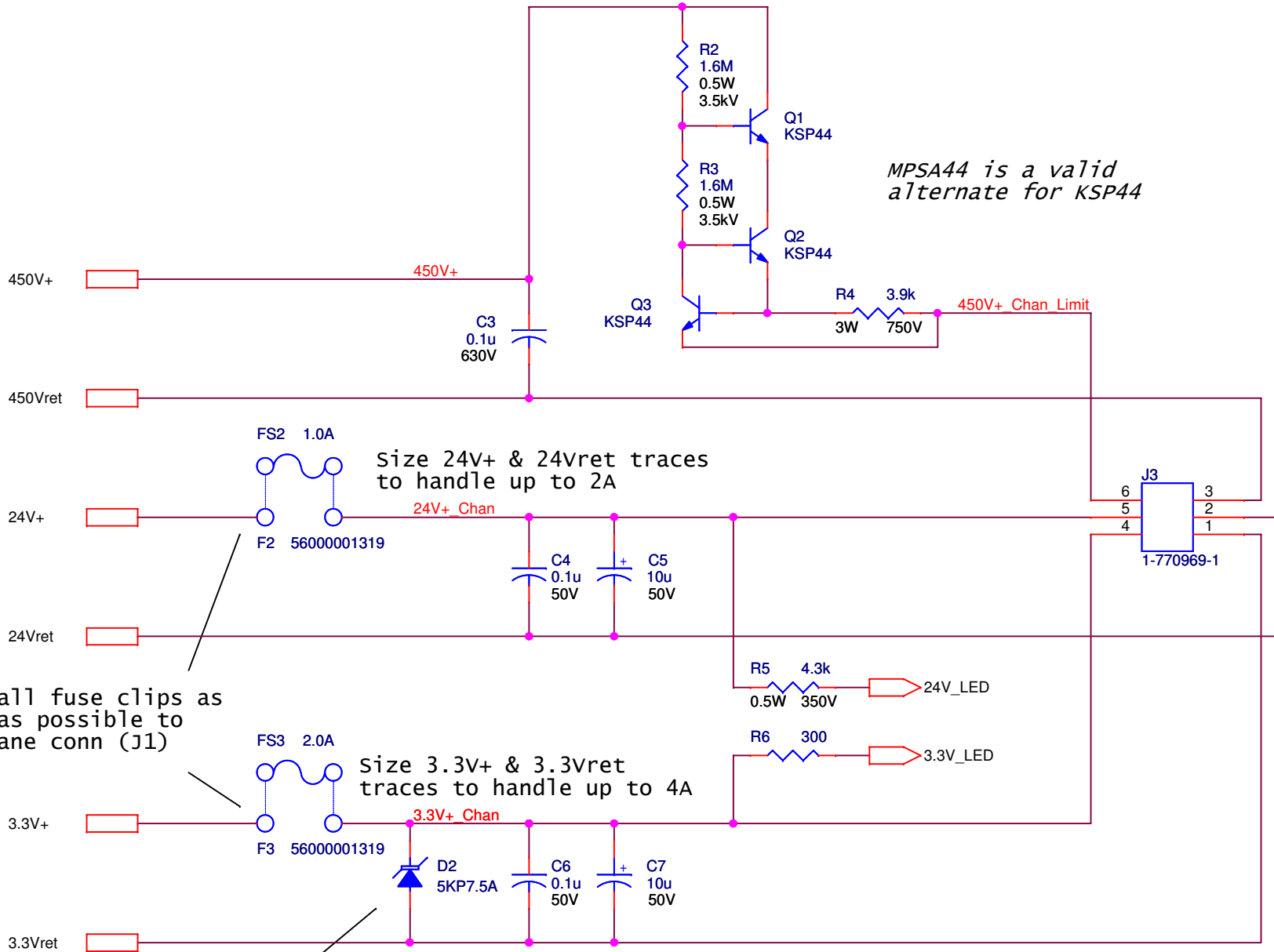


University of Virginia Physics Dept. 382 McCormick Rd, Charlottesville, VA 22904		
Title PDB DCM Card for NOvA Project		
Size A	Drawn By Stephen Goadhouse, 434-982-5594, sgd6h@virginia.edu	Rev 3.2
Date: Tuesday, April 20, 2010	Sheet 1	of 3



MPSA44 is a valid alternate for KSP44

Size 24V+ & 24Vret traces to handle up to 2A

Size 3.3V+ & 3.3Vret traces to handle up to 4A

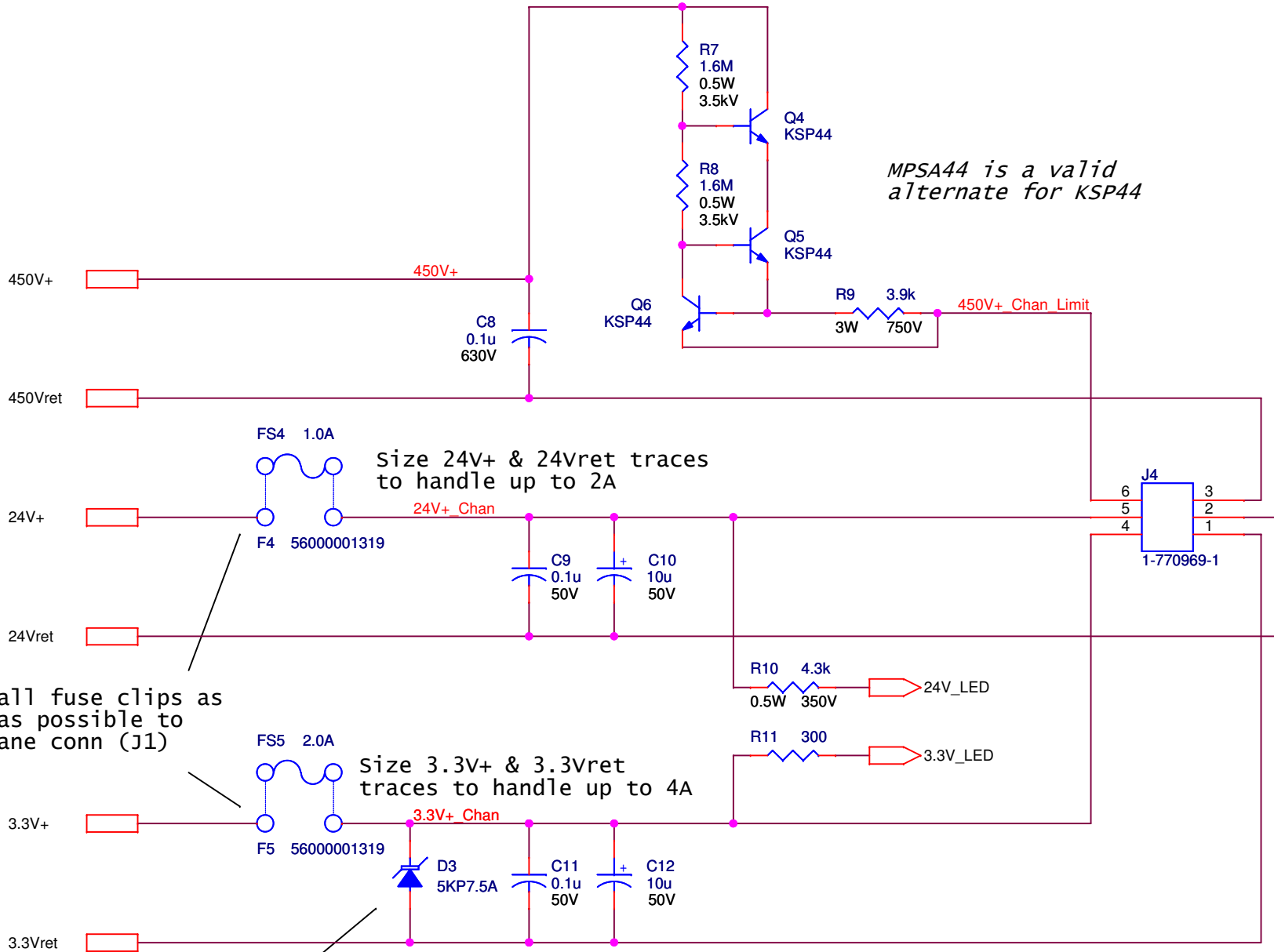
Place all fuse clips as close as possible to backplane conn (J1)

Place TVS as close as possible to fuse clip.

Front Panel Power Conn

/Chan1

University of Virginia Physics Dept. 382 McCormick Rd, Charlottesville, VA 22904		
Title PDB DCM Card for NOvA Project		
Size A	Drawn By Stephen Goadhouse, 434-982-5594, sgd6h@virginia.edu	Rev 3.2
Date:	Monday, April 26, 2010	Sheet 2 of 3



Place all fuse clips as close as possible to backplane conn (J1)

Place TVS as close as possible to fuse clip.

MPSA44 is a valid alternate for KSP44

/Chan2

University of Virginia Physics Dept. 382 McCormick Rd, Charlottesville, VA 22904		
Title PDB DCM Card for NOvA Project		
Size A	Drawn By Stephen Goadhouse, 434-982-5594, sgd6h@virginia.edu	Rev 3.2
Date:	Monday, April 26, 2010	Sheet 3 of 3