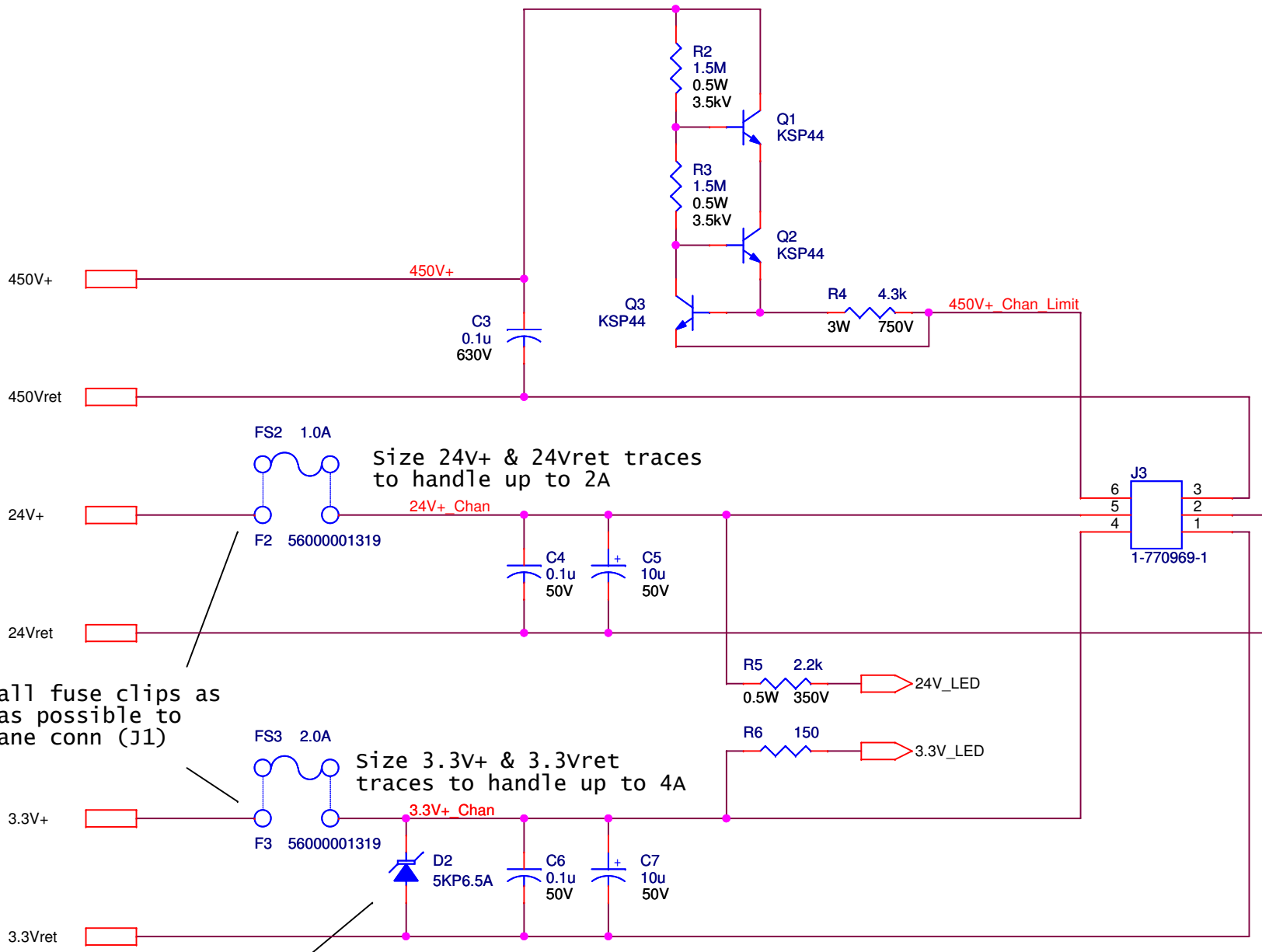


Verify LED footprint such that pin 1 is top/yellow anode.

Combine single Yellow LED with SU1 to create Right Angle version.

Size 24V+_DCM* & 24Vret_DCM traces to handle up to 10.0A

University of Virginia Physics Dept. 382 McCormick Rd, Charlottesville, VA 22904		
Title PDB DCM Card for NOvA Project		
Size A	Drawn By Stephen Goadhouse, 434-982-5594, sgd6h@virginia.edu	Rev 3.1
Date:	Wednesday, December 23, 2009	Sheet 1 of 3



Size 24V+ & 24Vret traces to handle up to 2A

Size 3.3V+ & 3.3Vret traces to handle up to 4A

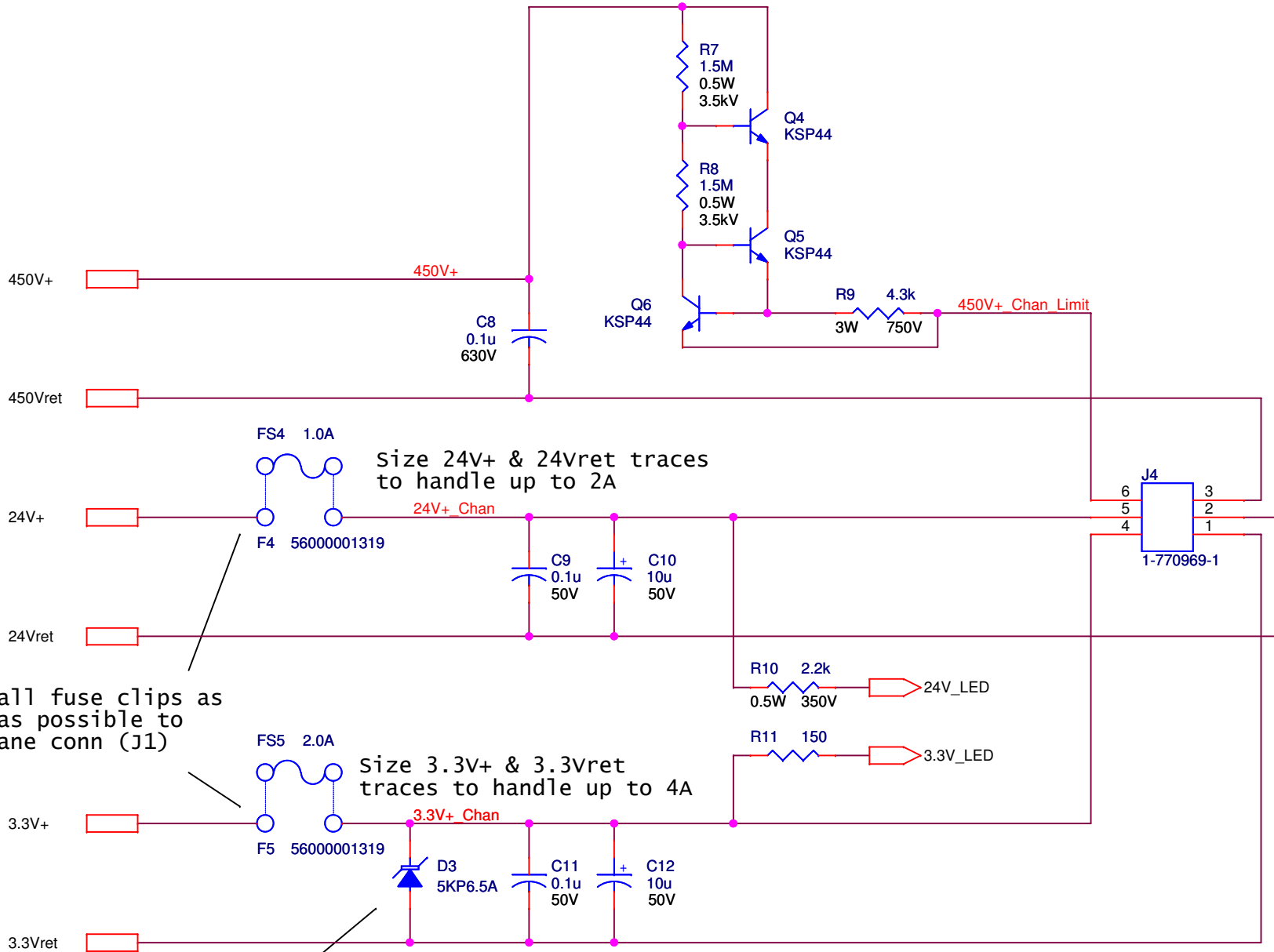
Place all fuse clips as close as possible to backplane conn (J1)

Place TVS as close as possible to fuse clip.

Front Panel Power Conn

/Chan1

University of Virginia Physics Dept. 382 McCormick Rd, Charlottesville, VA 22904		
Title PDB DCM Card for NOvA Project		
Size A	Drawn By Stephen Goadhouse, 434-982-5594, sgd6h@virginia.edu	Rev 3.1
Date:	Wednesday, December 23, 2009	Sheet 2 of 3



Size 24V+ & 24Vret traces to handle up to 2A

Size 3.3V+ & 3.3Vret traces to handle up to 4A

Place all fuse clips as close as possible to backplane conn (J1)

Place TVS as close as possible to fuse clip.

Front Panel Power Conn

/Chan2

University of Virginia Physics Dept. 382 McCormick Rd, Charlottesville, VA 22904		
Title PDB DCM Card for NOvA Project		
Size A	Drawn By Stephen Goadhouse, 434-982-5594, sgd6h@virginia.edu	Rev 3.1
Date:	Wednesday, December 23, 2009	Sheet 3 of 3