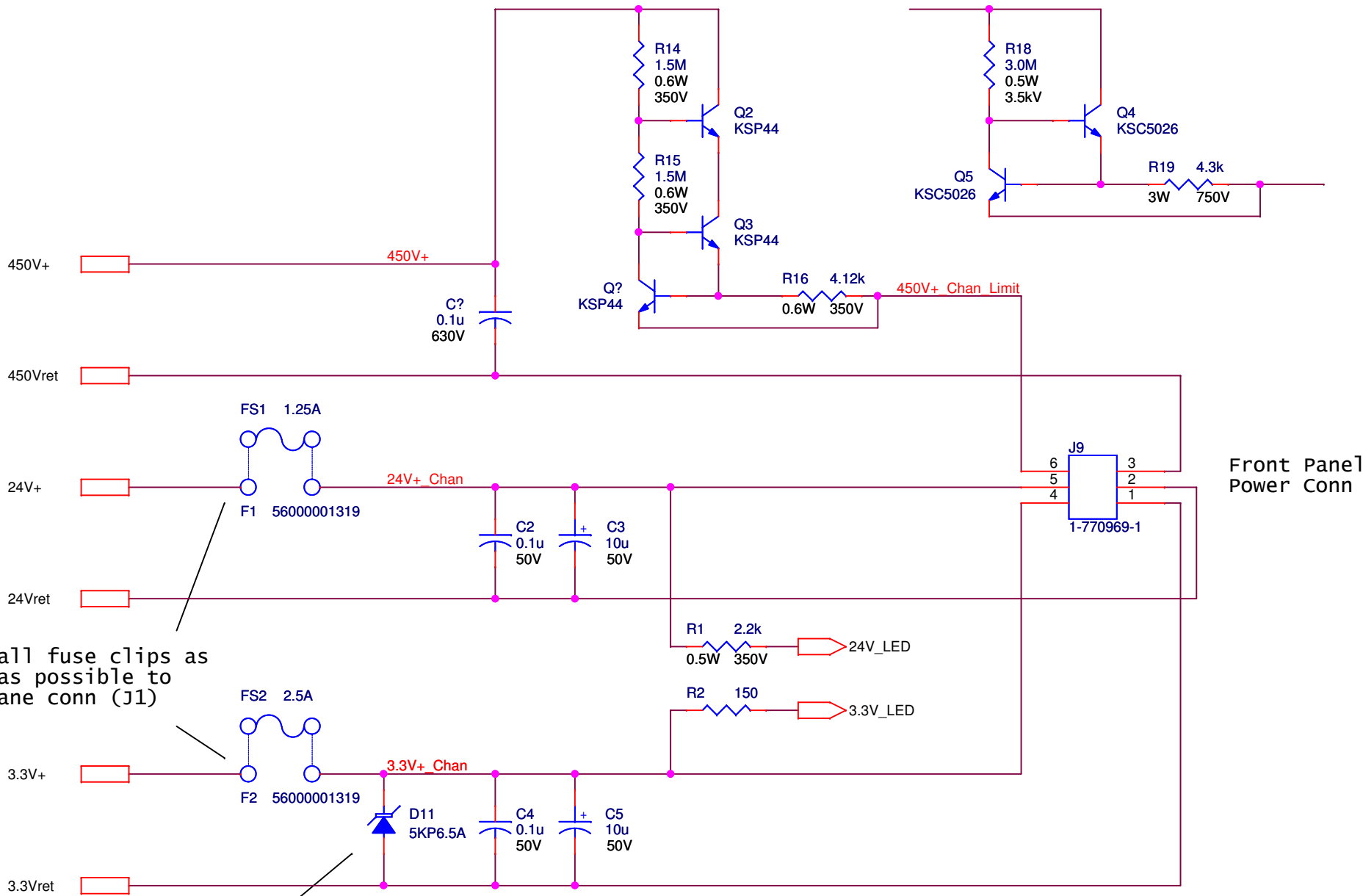


University of Virginia Physics Dept.  
382 McCormick Rd, Charlottesville, VA 22904

Title  
**PDB DCM Card for NOvA Project**

Size A	Document Number <Doc>	Rev 3.1
-----------	--------------------------	------------

Date: Monday, October 19, 2009 Sheet 1 of 2



Place all fuse clips as close as possible to backplane conn (J1)

Place TVS as close as possible to fuse clip.

Front Panel Power Conn

University of Virginia Physics Dept. 382 McCormick Rd, Charlottesville, VA 22904		
Title <b>PDB Power Channel for NOVA Project</b>		
Size A	Document Number <Doc>	Rev 3.1
Date:	Monday, October 19, 2009	Sheet 2 of 2