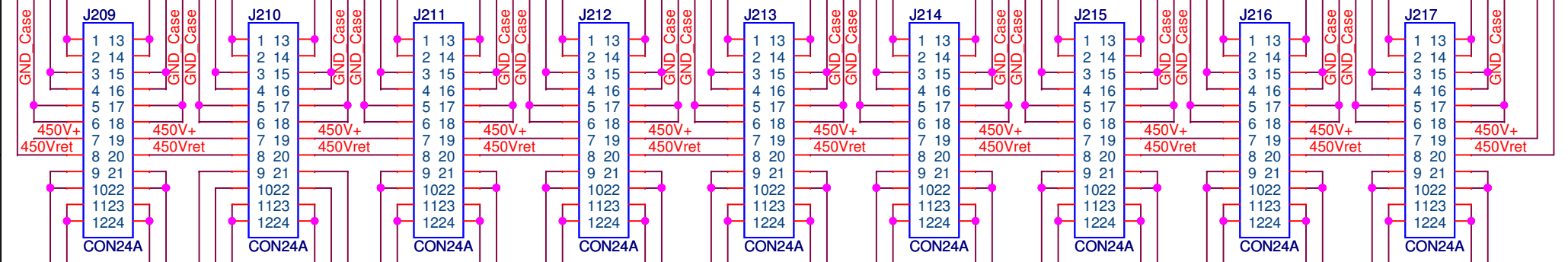


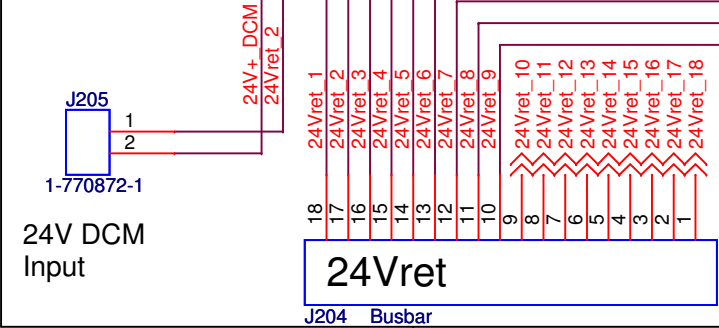
Pin 1 on bottom



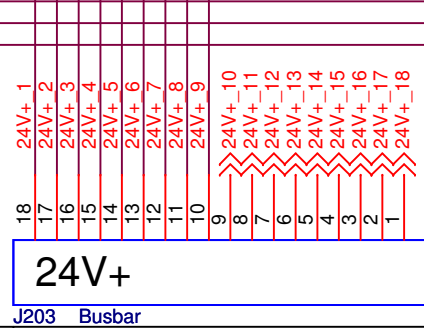
Indicator

DCM

Card Slot Connectors



24V DCM Input



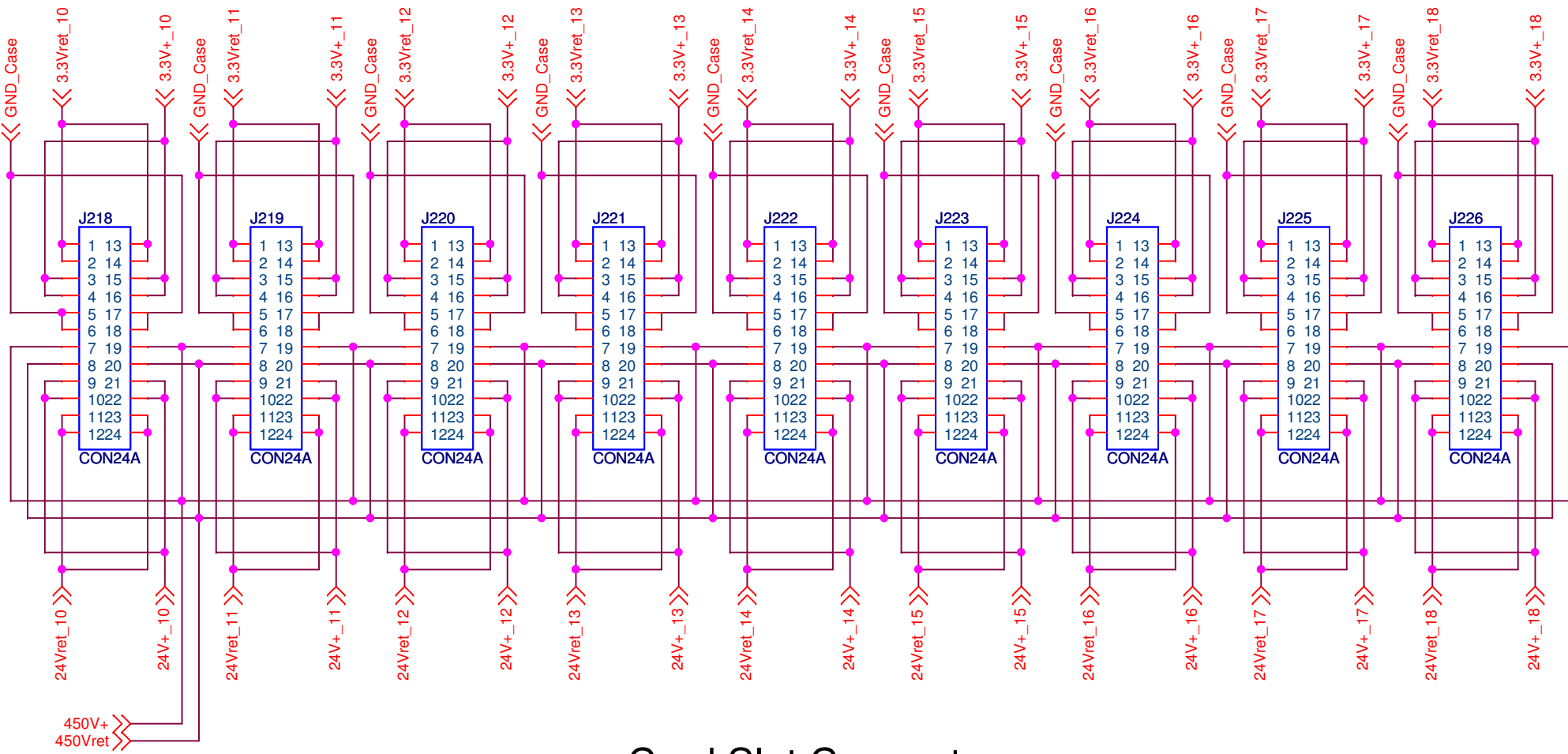
⊗ = Do Not Place

University of Virginia Physics Dept.
382 McCormick Rd, Charlottesville, VA 22904

Title
PDB Backplane Left Half for NOVA Project

Size A	Drawn By Stephen Goadhouse, 434-982-5594, sdg6h@virginia.edu	Rev 3.1
-----------	---	------------

Date: Wednesday, January 20, 2010 Sheet 1 of 2



Card Slot Connectors

Trace Current Capacity

GND_Case	24A (per slot)
3.3V+	16A (per slot)
24V+	8A (per slot)
24V+ DCM	11A
450V+	1mA

University of Virginia Physics Dept. 382 McCormick Rd, Charlottesville, VA 22904		
Title PDB Backplane Right Half for NOvA Project		
Size A	Drawn By Stephen Goadhouse, 434-982-5594, sgd6h@virginia.edu	Rev 3.1
Date: Wednesday, January 20, 2010		Sheet 2 of 2