

J207 Busbar
GND_Case

J202 Busbar
3.3Vret

J201 Busbar
3.3V+

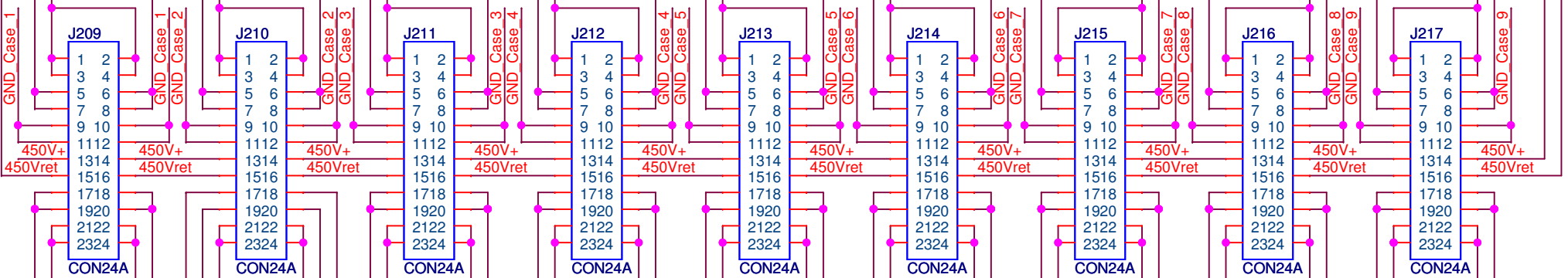
450V Input
 450V+
 450Vret
 R2 20M 0.5W 3.5kV
 J208 1-770873-1

- GND tie**
- GND_Case_1
 - GND_Case_2
 - GND_Case_3
 - GND_Case_4
 - GND_Case_5
 - GND_Case_6
 - GND_Case_7
 - GND_Case_8
 - GND_Case_9
 - GND_Case_10
 - GND_Case_11
 - GND_Case_12
 - GND_Case_13
 - GND_Case_14
 - GND_Case_15
 - GND_Case_16
 - GND_Case_17
 - GND_Case_18

- 3.3Vret_1
- 3.3Vret_2
- 3.3Vret_3
- 3.3Vret_4
- 3.3Vret_5
- 3.3Vret_6
- 3.3Vret_7
- 3.3Vret_8
- 3.3Vret_9
- 3.3Vret_10
- 3.3Vret_11
- 3.3Vret_12
- 3.3Vret_13
- 3.3Vret_14
- 3.3Vret_15
- 3.3Vret_16
- 3.3Vret_17
- 3.3Vret_18

- 3.3V+_1
- 3.3V+_2
- 3.3V+_3
- 3.3V+_4
- 3.3V+_5
- 3.3V+_6
- 3.3V+_7
- 3.3V+_8
- 3.3V+_9
- 3.3V+_10
- 3.3V+_11
- 3.3V+_12
- 3.3V+_13
- 3.3V+_14
- 3.3V+_15
- 3.3V+_16
- 3.3V+_17
- 3.3V+_18

Pin 1 on bottom



J205 1-770872-1

24V DCM Input

J204 Busbar
24Vret

- 24Vret_1
- 24Vret_2
- 24Vret_3
- 24Vret_4
- 24Vret_5
- 24Vret_6
- 24Vret_7
- 24Vret_8
- 24Vret_9
- 24Vret_10
- 24Vret_11
- 24Vret_12
- 24Vret_13
- 24Vret_14
- 24Vret_15
- 24Vret_16
- 24Vret_17
- 24Vret_18

J203 Busbar
24V+

- 24V+_1
- 24V+_2
- 24V+_3
- 24V+_4
- 24V+_5
- 24V+_6
- 24V+_7
- 24V+_8
- 24V+_9
- 24V+_10
- 24V+_11
- 24V+_12
- 24V+_13
- 24V+_14
- 24V+_15
- 24V+_16
- 24V+_17
- 24V+_18

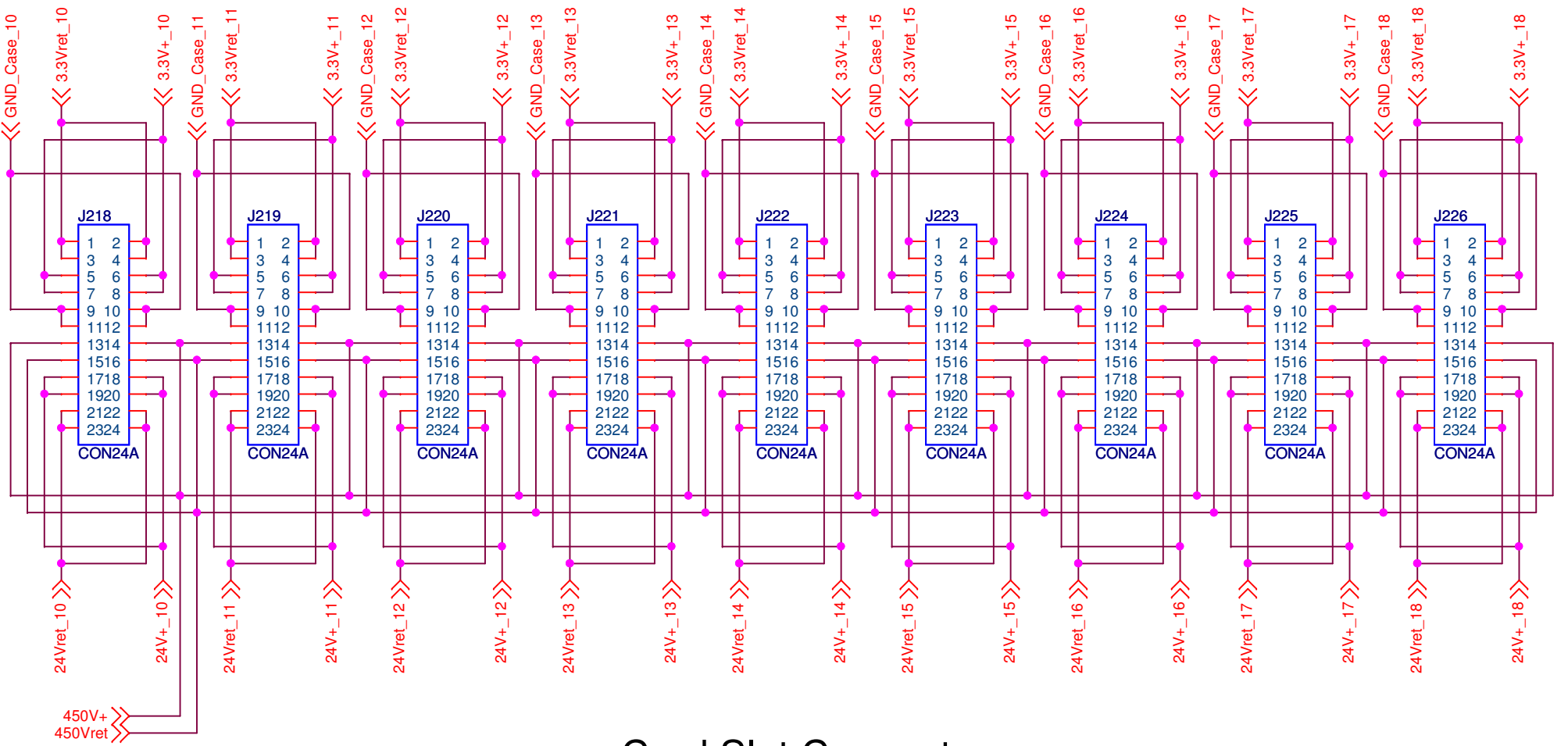
⊗ = Do Not Place

University of Virginia Physics Dept.
 382 McCormick Rd, Charlottesville, VA 22904

Title
PDB Backplane Left Half for NOVA Project

Size A	Drawn By Stephen Goadhouse, 434-982-5594, sdg6h@virginia.edu	Rev 3.1
--------	---	------------

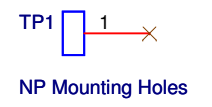
Date: Tuesday, January 05, 2010 Sheet 1 of 2



Card Slot Connectors

Trace Current Capacity

GND_Case	24A (per slot)
3.3V+	16A (per slot)
24V+	8A (per slot)
24V+ DCM	11A
450V+	1mA



University of Virginia Physics Dept. 382 McCormick Rd, Charlottesville, VA 22904		
Title PDB Backplane Right Half for NOvA Project		
Size A	Drawn By Stephen Goadhouse, 434-982-5594, sgd6h@virginia.edu	Rev 3.1
Date:	Tuesday, January 05, 2010	Sheet 2 of 2