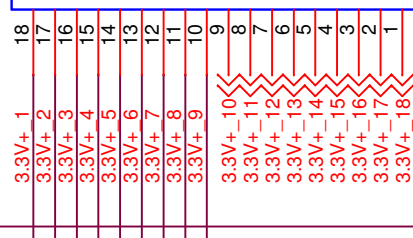
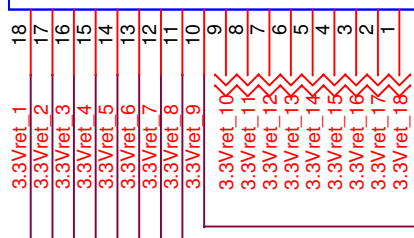
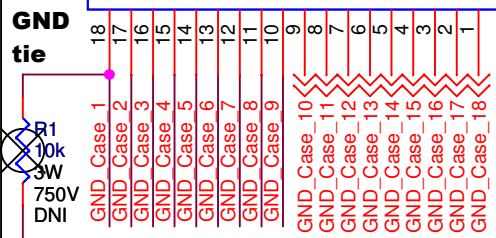
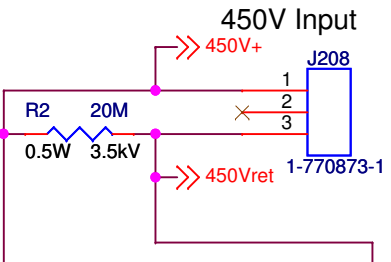


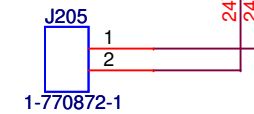
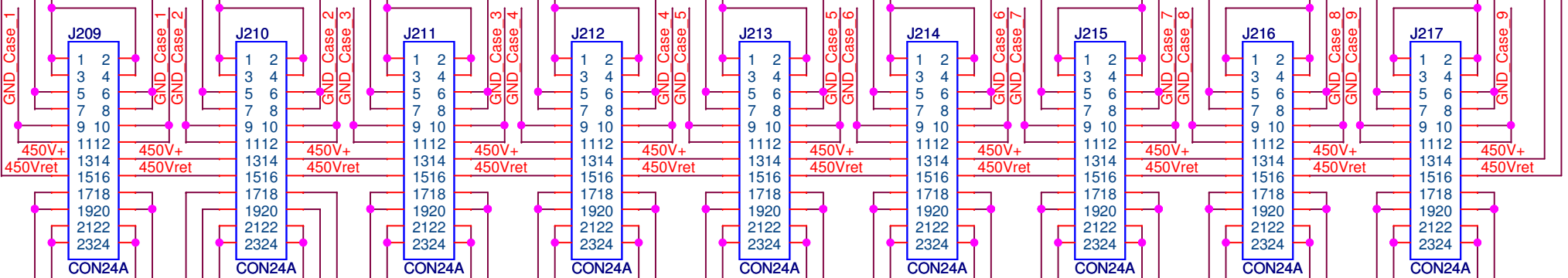
J207 Busbar
GND_Case

J202 Busbar
3.3Vret

J201 Busbar
3.3V+



Pin 1 on bottom



J204 Busbar
24Vret

J203 Busbar
24V+

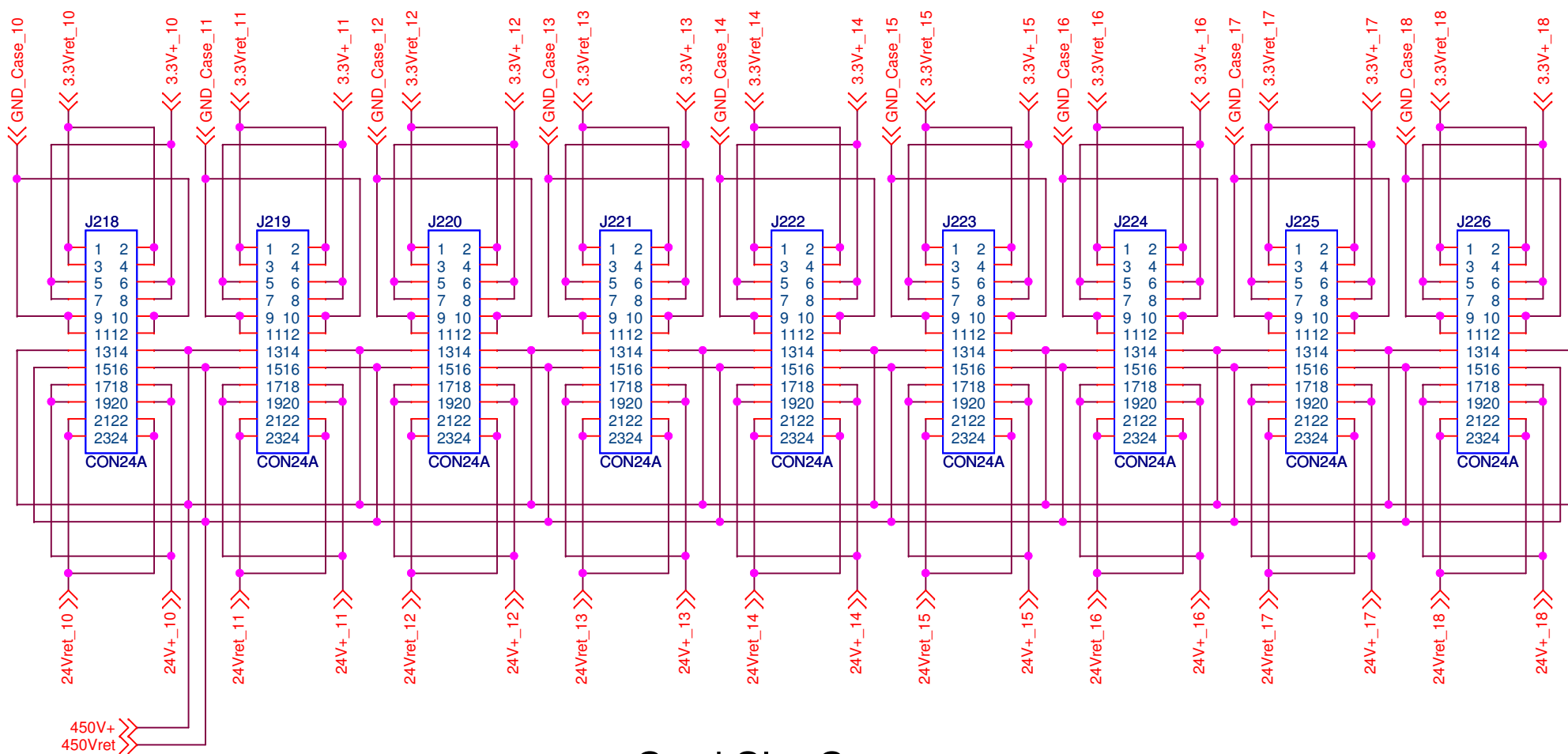
⊗ = Do Not Place

University of Virginia Physics Dept.
 382 McCormick Rd, Charlottesville, VA 22904

Title
PDB Backplane Left Half for NOVA Project

Size A	Drawn By Stephen Goadhouse, 434-982-5594, sgd6h@virginia.edu	Rev 3.1
--------	---	------------

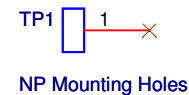
Date: Wednesday, December 23, 2009 Sheet 1 of 2



Card Slot Connectors

Trace Current Capacity

3.3V+	16A (per slot)
24V+	8A (per slot)
24V+ DCM	10A
450V+	1mA



University of Virginia Physics Dept.
382 McCormick Rd, Charlottesville, VA 22904

Title		
PDB Backplane Right Half for NOvA Project		
Size	Drawn By	Rev
A	Stephen Goadhouse, 434-982-5594, sgd6h@virginia.edu	3.1
Date:	Wednesday, December 23, 2009	Sheet 2 of 2