

J207 Busbar
GND_Case

J202 Busbar
3.3Vret

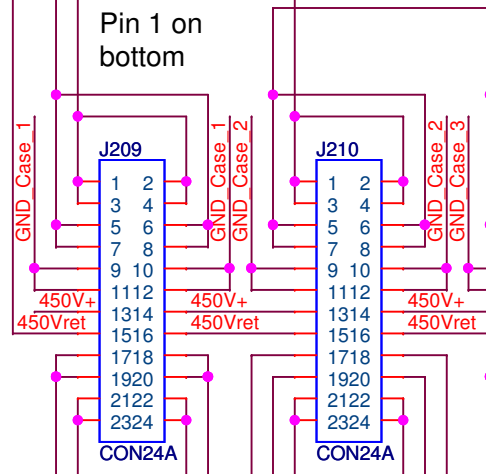
J201 Busbar
3.3V+

450V Input
 R2 20M 0.5W 3.5kV
 J208 1-770873-1

- 18 GND_Case 1
- 17 GND_Case 2
- 16 GND_Case 3
- 15 GND_Case 4
- 14 GND_Case 5
- 13 GND_Case 6
- 12 GND_Case 7
- 11 GND_Case 8
- 10 GND_Case 9
- 9 GND_Case 10
- 8 GND_Case 11
- 7 GND_Case 12
- 6 GND_Case 13
- 5 GND_Case 14
- 4 GND_Case 15
- 3 GND_Case 16
- 2 GND_Case 17
- 1 GND_Case 18

- 18 3.3Vret_1
- 17 3.3Vret_2
- 16 3.3Vret_3
- 15 3.3Vret_4
- 14 3.3Vret_5
- 13 3.3Vret_6
- 12 3.3Vret_7
- 11 3.3Vret_8
- 10 3.3Vret_9
- 9 3.3Vret_10
- 8 3.3Vret_11
- 7 3.3Vret_12
- 6 3.3Vret_13
- 5 3.3Vret_14
- 4 3.3Vret_15
- 3 3.3Vret_16
- 2 3.3Vret_17
- 1 3.3Vret_18

- 18 3.3V+_1
- 17 3.3V+_2
- 16 3.3V+_3
- 15 3.3V+_4
- 14 3.3V+_5
- 13 3.3V+_6
- 12 3.3V+_7
- 11 3.3V+_8
- 10 3.3V+_9
- 9 3.3V+_10
- 8 3.3V+_11
- 7 3.3V+_12
- 6 3.3V+_13
- 5 3.3V+_14
- 4 3.3V+_15
- 3 3.3V+_16
- 2 3.3V+_17
- 1 3.3V+_18



J205 1-770872-1

24V DCM Input

J204 Busbar
24Vret

J203 Busbar
24V+

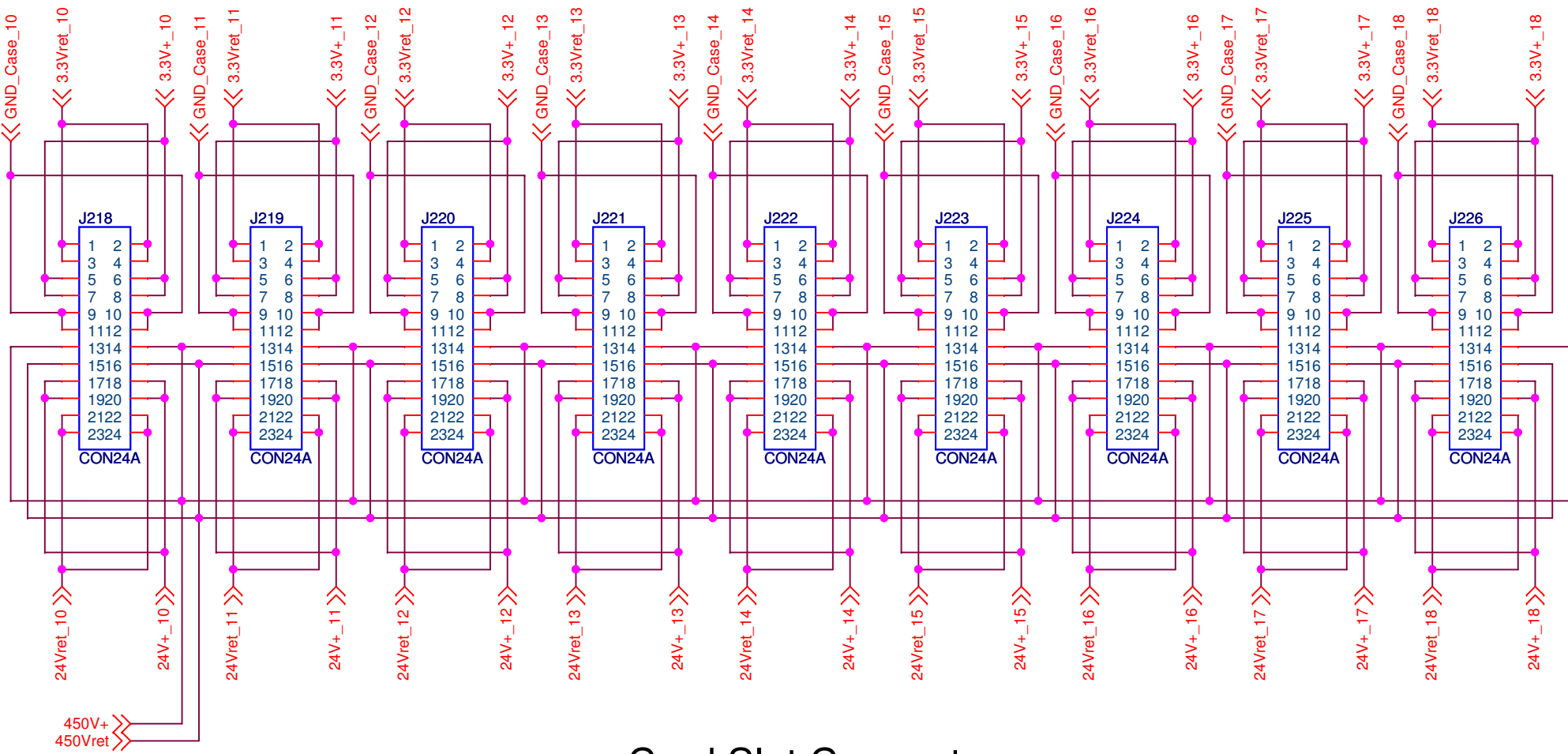
⊗ = Do Not Place

University of Virginia Physics Dept.
 382 McCormick Rd, Charlottesville, VA 22904

Title
PDB Backplane Left Half for NOVA Project

Size A	Drawn By Stephen Goadhouse, 434-982-5594, sgd6h@virginia.edu	Rev 3.1
--------	---	------------

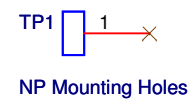
Date: Friday, December 18, 2009 Sheet 1 of 2



Card Slot Connectors

Trace Current Capacity

3.3V+	16A (per slot)
24V+	8A (per slot)
24V+ DCM	11A
450V+	1mA



University of Virginia Physics Dept. 382 McCormick Rd, Charlottesville, VA 22904		
Title PDB Backplane Right Half for NOvA Project		
Size A	Drawn By Stephen Goadhouse, 434-982-5594, sgd6h@virginia.edu	Rev 3.1
Date: Friday, December 18, 2009	Sheet 2	of 2