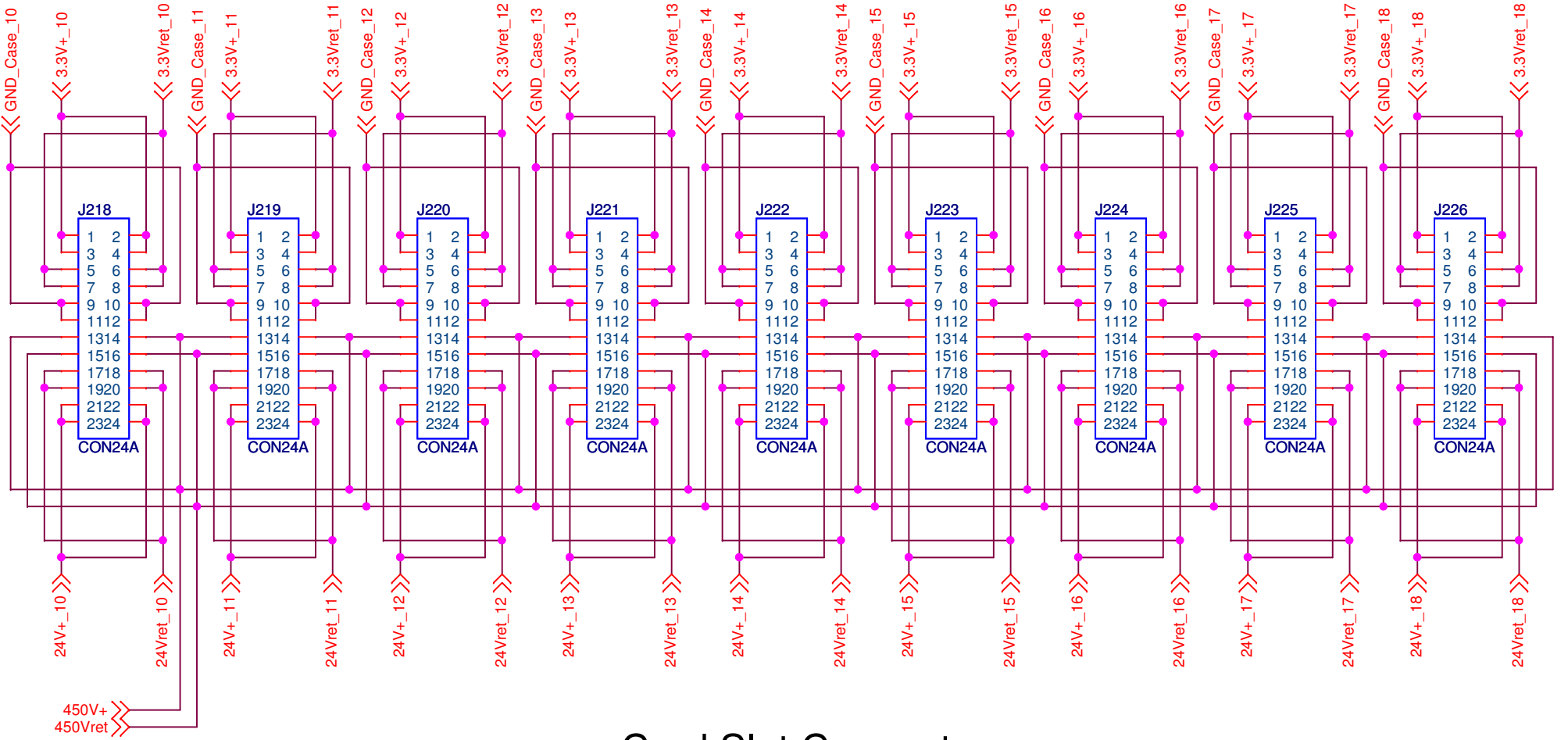


⊗ = Do Not Place

University of Virginia Physics Dept.  
382 McCormick Rd, Charlottesville, VA 22904

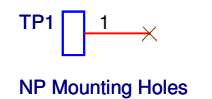
Title		
<b>PDB Backplane Left Half for NOvA Project</b>		
Size	Document Number	Rev
A	<Doc>	3.1
Date:	Monday, October 19, 2009	Sheet 1 of 2



# Card Slot Connectors

## Trace Current Capacity

3.3V+	8A (bus bar to conn)
24V+	2A (bus bar to conn)
24V+ DCM	2.4A
450V+	1mA



University of Virginia Physics Dept. 382 McCormick Rd, Charlottesville, VA 22904		
Title <b>PDB Backplane Right Half for NOvA Project</b>		
Size A	Document Number <Doc>	Rev 3.1
Date:	Monday, October 19, 2009	Sheet 2 of 2