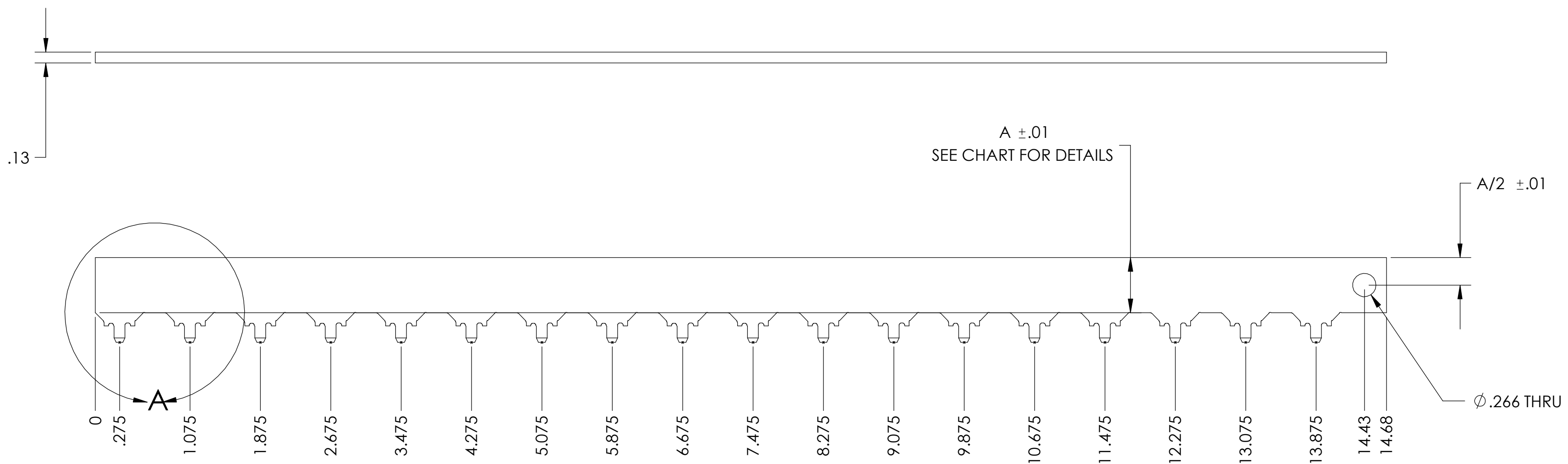
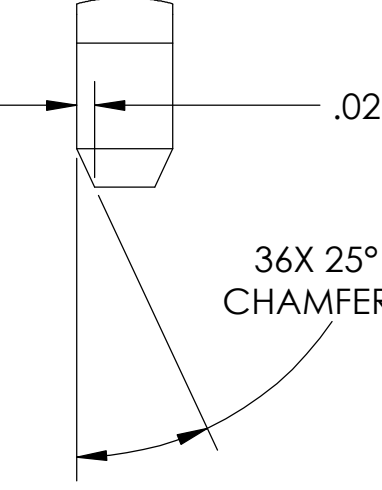


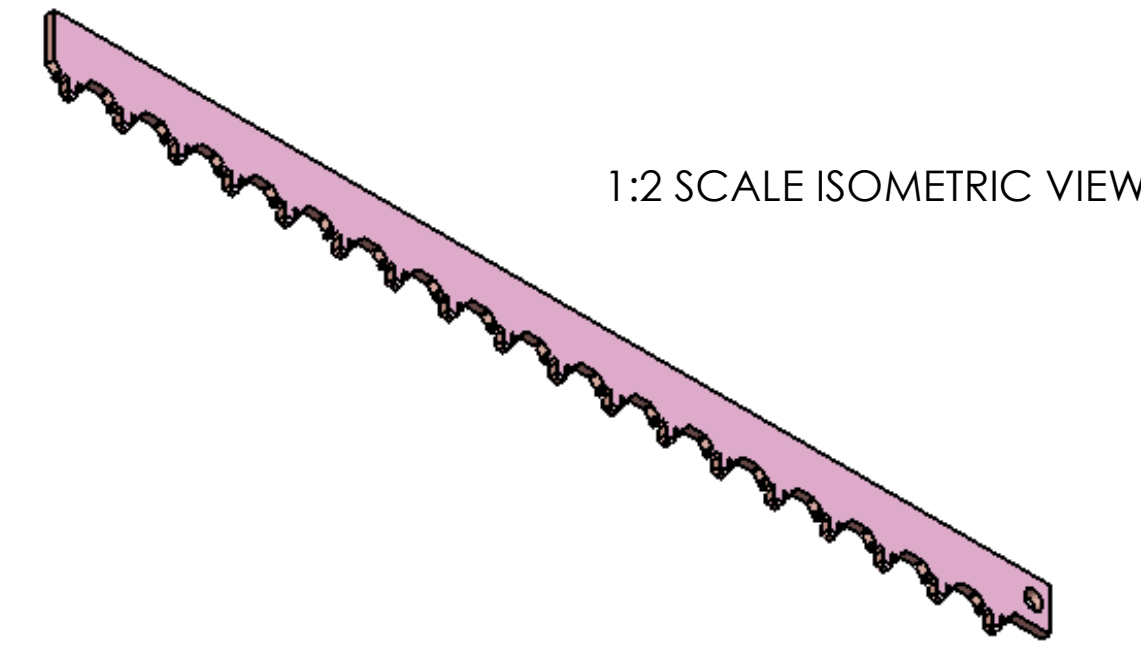
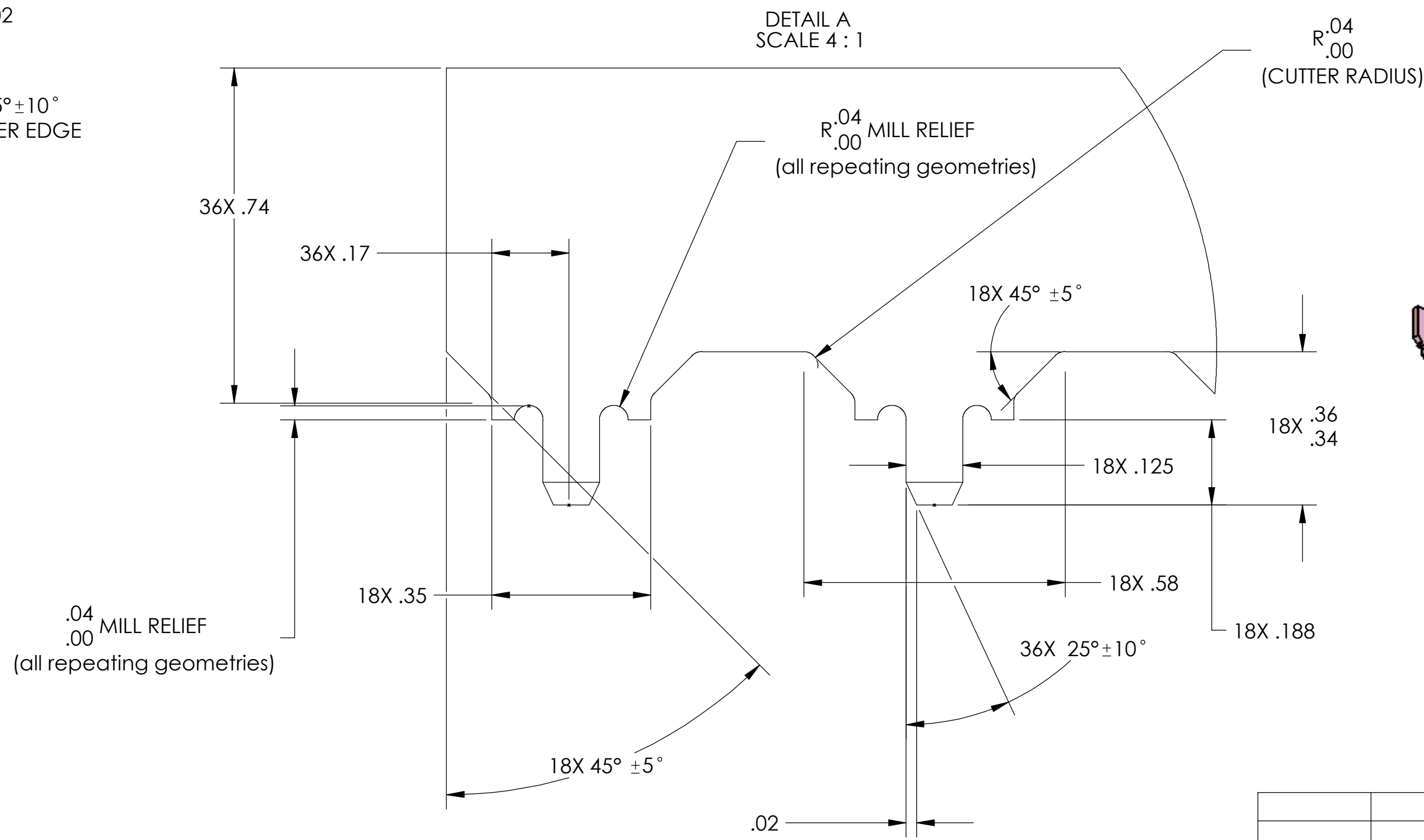
VERSION	DESCRIPTION	DIM "A"	QTY.
1	24 Volt Bus Bar	0.625	2
2	3.3 Volt Bus Bar	1.125	2
3	Ground Bus Bar	1.625	1



DETAIL B
SCALE 4 : 1



DETAIL A
SCALE 4 : 1



PROPRIETARY AND CONFIDENTIAL
THE INFORMATION CONTAINED IN THIS DRAWING IS THE SOLE PROPERTY OF The University of Virginia Department of Physics. ANY REPRODUCTION IN PART OR AS A WHOLE WITHOUT THE WRITTEN PERMISSION OF The University of Virginia Department of Physics IS PROHIBITED.

UNLESS OTHERWISE SPECIFIED:		NAME	DATE
DIMENSIONS ARE IN INCHES		S.RUSSO	2/9/10
TOLERANCES:			
FRACTIONAL ±			
ANGULAR: MACH ± 1 BEND ±			
TWO PLACE DECIMAL ± .01			
THREE PLACE DECIMAL ± .005			
INTERPRET GEOMETRIC TOLERANCING PER:		Q.A.	
MATERIAL		COMMENTS:	
COPPER		For questions contact Scott Russo, Mech. Engr.	
FINISH		at rsr4q@virginia.edu	
NEXT ASSY	USED ON		
APPLICATION		DO NOT SCALE DRAWING	

TITLE:		
PDB_Busbar v3.1 (version short)		
SIZE	DWG. NO.	REV
C	pdb_busbar_short_v3.1	1
SCALE: 1:4	WEIGHT:	SHEET 1 OF 1