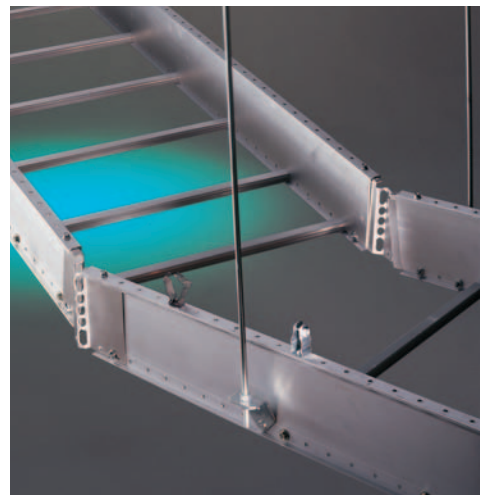
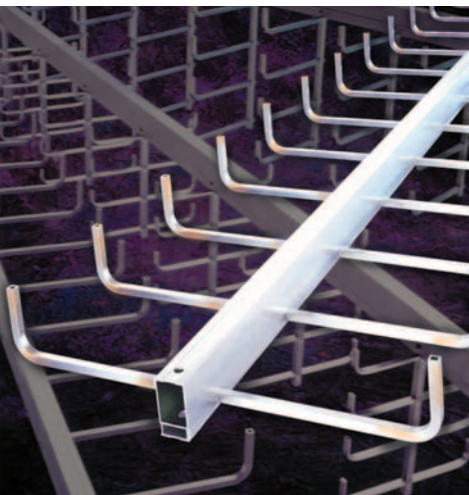


Cable Tray Systems

Aluminum, Steel, Stainless Steel & Fiberglass Cable Tray Systems
Redi-Rail™ & Cent-R-Rail™ Tray Systems
Cable Channel & Wire Basket Systems

CT-10

 **COOPER B-Line**



Introduction

B-Line Systems was formed in 1956 and has over 30 years experience manufacturing cable tray systems in which it has grown to become the industry leader. This growth was achieved by offering unmatched quality in both service and products.

Today Cooper B-Line stands alone in its customer service resources with cable tray fabrication location at four locations throughout the United States. Strategically located facilities alone do not generate unmatched service. The professional staff at Cooper B-Line is knowledgeable, energetic, and care about customer needs. The right attitude coupled with the facilities does generate unsurpassed customer service.

Cooper B-Line's product offerings also set new standards. Cooper B-Line manufactures cable support product lines that bridge both the electrical and telecom markets. Each of those product lines are engineered to provide top performance while offering unique installation savings. This catalog is dedicated to the metallic and non-metallic, two side rail, cable tray systems.



Cooper B-Line cable trays conform to the requirements of IEC Standard 61537, 2001 Ed.

Questions, Comments, Suggestions?
"B-VOCALSM
with Cooper B-LineSM"
Voice Of the Customer...Actively Listening
bvocal@cooperindustries.com
877-351-9450

Ask The Experts!

1-800-851-7415 ext. 366

Cooper B-Line

509 West Monroe Street
Highland, IL 62249

Phone: 800-851-7415
Fax: 618-654-1917

www.cooperbline.com

Important notice: The information herein has been carefully checked for accuracy and is believed to be correct and current. No warranty, either expressed or implied, is made as to either its applicability to or its compatibility with specific requirements of this information, nor for damages consequential to its use. All design characteristics, specifications, tolerances and similar information are subject to change without notice.

Table of Contents

| | | | |
|--|-----------|-------------------------------|-----------------|
| Cooper B-Line Cable Tray Information | | | |
| General Information | 4-7 | Cable Tray Information | |
| Tray Selection Charts | 8 - 11 | | |
| Cable Tray System | 12 | | |
| The Cooper B-Line Advantage | | | |
| The Company | 13 | B-Line Advantage | |
| The Product | 14 - 15 | | |
| The Extras | 16 | | |
| Cable Tray Selection | | | |
| Selection Process | 17 | Cable Tray Selection | |
| Materials and Finishes | | | |
| Material Standards | 18 | | |
| Finish Standards | 19 | | |
| Coatings | 20 | | |
| Corrosion | 21 - 23 | | |
| Thermal Contraction & Expansion | 24 | | |
| Installation Considerations (Electrical Grounding) | 25 | | |
| Strength | | | |
| Environmental Loads | 26 - 27 | | |
| Support Span | 27 | | |
| Deflection | 28 | | |
| Rung/Trough Data | 29 | | |
| Load Capacity (NEMA & CSA Load Classes) | 30 - 31 | | |
| Cable Data | 32 | | |
| Width and Depth Cable Fill Per 1999 NEC 318 | 33 - 38 | | |
| Straight Section Length | 39 | | |
| Loading Possibilities | 40 | | |
| Bottom Type | 41 | | |
| Fitting Bend Radius | 41 | | |
| Flextray™ | | | |
| Finishes | 44 | | Flextray |
| Load & Fill Charts | 45 | | |
| Straight Sections | 46 - 47 | | |
| Splicing Accessories | 49 - 57 | | |
| Ceiling Support Methods | 59 - 65 | | |
| Wall Support Methods | 67 - 71 | | |
| FAST System | 73 - 79 | | |
| Accessories | 80 - 89 | | |
| Installation | 91 - 97 | | |
| Channel Type Cable Tray | | | |
| Straight Sections | 100 | Cable Channel | |
| Accessories | 101 - 104 | | |
| Fittings | 105 - 112 | | |
| Specifications | 113 | | |
| Cent-R-Rail™ | | | |
| Technical & Sizing Data | 117 - 123 | Cent-R-Rail | |
| Straight Sections | 124 - 131 | | |
| Connectors | 132 - 139 | | |
| Supports | 140 - 141 | | |
| Accessories | 143 - 156 | | |
| Specifications | 157 - 160 | | |
| Installation Suggestions | 161 - 168 | | |
| Appendix | 169 - 175 | | |
| Redi-Rail™ Cable Tray (Aluminum) | | | |
| Straight Sections | 178 - 179 | Redi-Rail | |
| Accessories | 180 - 188 | | |
| Specifications | 189 - 190 | | |
| Fittings | 191 - 201 | | |

continued on page 2

Table of Contents

| | | |
|--|-----------|--|
| Series 1 Cable Tray (Steel) | | |
| Straight Sections | 204 - 207 | Series 1 Steel |
| Accessories | 208 - 214 | |
| Specifications | 215 | |
| Fittings | 216 - 224 | |
| Series 2,3 & 4 Cable Tray - Aluminum | | |
| Straight Sections | 228 - 237 | Series 2, 3, 4, & 5 Aluminum |
| Accessories | 238 - 248 | |
| Specifications | 249 | |
| Series 2,3,4 & 5 Cable Tray - Steel | | |
| Straight Sections | 252 - 259 | Series 2, 3, 4, & 5 Steel |
| Accessories | 260 - 270 | |
| Specifications | 271 | |
| Series 3, 4, & 5 Cable Tray - Stainless Steel | | |
| Straight Sections | 274 - 276 | Series 2, 3, 4, & 5 Stainless Steel |
| Accessories | 277 - 284 | |
| Specifications | 285 | |
| Series 2, 3, 4, & 5 Fittings - Aluminum, Steel, Stainless Steel | | |
| Horizontal Bends | 288 - 290 | Series 2, 3, 4, & 5 Fittings |
| Tees & Crosses | 291 | |
| Reducers | 292 | |
| Horizontal Reducing & Expanding Tees | 293 - 294 | |
| Horizontal Reducing & Expanding Crosses | 295 | |
| Horizontal Wyes | 296 | |
| Vertical Bends | 297 - 300 | |
| Vertical Tees - Up & Down | 301 | |
| Cable Support Fittings | 302 | |
| Fiberglass Cable Tray System | | |
| Technical Information | 306 - 315 | Fiberglass Cable Tray |
| Specifications | 316 - 322 | |
| Straight Sections | 323 - 329 | |
| Fittings | 330 - 347 | |
| Covers | 348 | |
| Accessories | 349 - 351 | |
| Cable Channel | | |
| Straight Sections | 352 | |
| Fittings | 352 - 353 | |
| Accessories | 353 - 354 | |
| Appendix | 355 | |
| Cable Fixing | | |
| Applications | 357 - 358 | Cable Fixing |
| Products | 359 | |
| Appendix | | |
| Special Applications | 362 - 365 | Appendix |
| Side Rails & Bottom Members | 366 - 367 | |
| Cable Tray Weights | 368 - 369 | |
| Metric Conversion Charts | 370 - 371 | |
| Master Cable Tray Systems Specifications | 372 - 375 | |
| Cable Tray Sizing Requirements | 376 | |
| Installation Data | 377 | |
| Support Channels & Channel Nuts | 378 | |
| Concrete Inserts & Channel Fittings | 379 | |
| Cable Tray Manual | | |
| 2005 Cable Tray Manual Based on 2005 National Electrical Code | 381 - 431 | Cable Tray Manual |

continued on page 3

Table of Contents

Part Number Index

Straight Sections

Cable Tray

| | |
|--|-----|
| Redi-Rail™ Aluminum | 432 |
| Series 2, 3, 4 & 5 Aluminum | 432 |
| Series 1 Steel | 432 |
| Series 2, 3, 4 & 5 Steel | 432 |
| Series 2, 3, 4 & 5 Stainless Steel | 432 |
| Fiberglass | 432 |

Cable Channel

| | |
|-----------------------|-----|
| Aluminum | 433 |
| Steel | 433 |
| Stainless Steel | 433 |
| Fiberglass | 433 |

Flextray

| |
|-----|
| 433 |
|-----|

Cent-R-Rail™

| |
|-----|
| 434 |
|-----|

Fittings

Cable Tray

| | |
|--|-----|
| Redi-Rail™ Aluminum | 435 |
| Series 2, 3, 4 & 5 Aluminum | 435 |
| Series 1 Steel | 435 |
| Series 2, 3, 4 & 5 Steel | 435 |
| Series 2, 3, 4 & 5 Stainless Steel | 435 |
| Fiberglass | 436 |

Cable Channel

| | |
|-----------------------|-----|
| Aluminum | 436 |
| Steel | 436 |
| Stainless Steel | 436 |
| Fiberglass | 436 |

Covers

Cable Tray

| | |
|--|-----|
| Redi-Rail™ Aluminum | 437 |
| Series 2, 3, 4 & 5 Aluminum | 437 |
| Series 1 Steel | 437 |
| Series 2, 3, 4 & 5 Steel | 437 |
| Series 2, 3, 4 & 5 Stainless Steel | 437 |
| Fiberglass | 437 |

Cable Channel

| | |
|-----------------------|-----|
| Aluminum | 438 |
| Steel | 438 |
| Stainless Steel | 438 |

Flextray

| |
|-----|
| 438 |
|-----|

Cent-R-Rail®

| |
|-----|
| 438 |
|-----|

Accessories

Cable Tray

| | |
|--|-----------|
| Redi-Rail™ Aluminum | 439 |
| Series 2, 3, 4 & 5 Aluminum | 440 - 441 |
| Series 1 Steel | 441 - 442 |
| Series 2, 3, 4 & 5 Steel | 443 - 444 |
| Series 2, 3, 4 & 5 Stainless Steel | 445 - 446 |
| Fiberglass | 446 |

Cable Channel

| | |
|-----------------------|-----------|
| Aluminum | 447 |
| Steel | 447 - 448 |
| Stainless Steel | 448 |
| Fiberglass | 448 |

Flextray

| |
|-----------|
| 449 - 450 |
|-----------|

Cent-R-Rail™

| |
|-----------|
| 451 - 453 |
|-----------|

Cable Cleats

| |
|-----|
| 453 |
|-----|

Index

Searching for Cooper B-Line Cable Tray Material?

Need a Cable Tray Materials Price Quote?

Get *Fastray* On-Line.

<http://www.cooperblines.com/product/CableTray/SearchProducts>

- Search for Product Info!
- Create Submittal Package! (see page 6)
- View Bill of Materials!
- Even Receive a Quote Request!

All This ON-LINE

Cooper B-Line Gives Just the Facts on: Construction Specifications

All specs are arranged as to their recommended CSI MasterFormat™ Divisions.

All Construction Specification Documents

On-Line or Downloaded

in Microsoft Word format

<http://www.cooperblines.com/engineer/specs.asp>

**If you need more information
about this or any other great
Cooper B-Line product just...**





By Just One Click of the Mouse Button add Cooper B-Line Cable Tray to your next set of Plans

***To Download a Free copy of TrayCAD
Go to: www.cooperblines.com
and click on Software & Specifications***

Directly: <http://www.cooperblines.com/engineer/Software.asp#TrayCAD>

Call: (800) 851-7415



TrayCAD is a cable tray layout design program that works with AutoCAD®. TrayCAD is a Windows® based program and installs as an add-on to your AutoCAD® system. Use the TrayCAD toolbar to add cable tray to your plans by drawing a single line as the center line of the tray run, then, with the click of a button, the program will build a 3-D wire-frame model of the cable tray and all of the appropriate fittings. The program will also create a Bill of Material and contains a library of details.



By Just One Click of the Mouse Button add Cooper B-Line Cable Runway, Cent-R-Rail™ and Relay Racks to your next set of Plans

***To Download a Free copy of Runway Router™
Go to: www.cooperblines.com
and click on Software & Specifications***

Directly: <http://www.cooperblines.com/engineer/Software.asp#Runway>

Call: (800) 851-7415



Runway Router™ is a cable runway (ladder rack) layout design program that works with AutoCAD®. Runway Router is a Windows® based program that installs as an add-on to your AutoCAD® system. Use the commands from the Runway Router toolbar to layout cable runway, Cent-R-Rail, relay racks and electronic cabinets. Add cable runway or Cent-R-Rail to your existing plans by drawing a single line as the centerline path of the run. Then, with the click of a button, the program will build a 3-D wire-frame model of the cable runway and all of the appropriate connectors and fittings. The program will also create a Bill Of Materials, and contains a library of details.



Cooper B-Line Cable Tray Systems

Cable tray is a mechanical support system that can support cables and raceways. Cable tray is not a raceway. Cable tray systems are required to be electrically continuous but not mechanically continuous.

Advantages of Cooper B-Line Cable Tray Systems

- Safety
- Dependability
- Space Savings
- Cost Savings
- Design Cost Savings
- Material Savings
- Installation Cost & Time Savings
- Maintenance Savings

For more information refer to Cooper B-Line's Cable Tray Manual (Pages 381 thru 431) or call Cooper B-Line engineering at 1-800-851-7415 extension 366

Quick List Selection Process

See pages 36 & 37 for expanded selection process.

1. Support Span Issues are: Strength and Length

- Very important to first consider the support span as it affects the strength of the system and the length of the straight sections required.
- Short Span, 6 to 8 foot support spacing - use 12 foot sections.
- Intermediate Span, 8 to 12 foot support spacing - use 12 foot sections.
- Long Span, 16 to 20 foot support spacing - use 20 foot sections.
- Extra Long Span, over 20 foot to 30 foot support spacing - use 24 or 30 foot sections.

2. Working Load Issues are: Size (Width, Loading Depth, and Strength)

Cable Load

- Types and numbers of cables to support - Total cable load in lbs. per linear foot (lbs/ft)
- Power - is single layer - issue width (refer to local electrical code)
- Low Voltage - is stacked - issue loading depth and width (refer to affecting code)
- See chart of listed cable load guidelines (refer to page 40)

Additional Loads

200 lb. concentrated load - Industrial installations
Ice, Wind, Snow loads - Outdoor installations

Select a Cable Tray system that meets the working load for the support span required and a straight section length that fits the installation. NEMA VE 2 - Straight sections equal to or larger than span.

www.cabletrays.com/technical.htm

3. Installation Environment Issues are: Material and Finish

- Indoor Dry - Institutional, Office, Commercial, Light Industrial
Aluminum, Pre-Galvanized Steel
- Indoor Industrial - Automotive, Pulp and Paper, Power Plants
Aluminum, Pre-Galvanized Steel, Possibly Hot-Dipped Galvanized After Fabrication (HDGAF)
- Outdoor Industrial - Petrochemical, Automotive, Power Plants
Aluminum, Hot-Dipped Galvanized After Fabrication (HDGAF)
- Outdoor Marine - Off Shore Platforms
Aluminum, Stainless Steel, Fiberglass
- Special - Petrochemical, Pulp and Paper, Environmental Air
Contact Cooper B-Line Engineering (1-800-851-7415 ext, 366)

Cooper B-Line Cable Tray Systems

Cooper B-Line Cable Tray Product Offering

- **Two Side Rail Systems**
Aluminum, Pre-Galvanized Steel, Hot Dip Galvanized After Fabrication Steel, 304 and 316L Stainless Steel, Fiberglass in Polyester Resin, Vinyl Ester, Zero Halogen, and Dis-Stat Redi-Rail Systems loaded with special installation and cable friendly features.
Systems tested to 173 lbs/ft on a 30 foot span
Special bottom options and splices
Highest quality fittings
Unmatched accessories supplied with attachment hardware
- **Cable Channel (See Cable Channel Section - pages 98-113)**
3, 4, and 6 inch widths in Aluminum, Pre-Galvanized Steel, Hot Dip Galvanized after Fabrication Steel and 304 or 316L Stainless Steel
3, 4, 6, and 8 inch widths in Fiberglass in Polyester Resin, Vinyl Ester, Zero Halogen, and Dis-Stat
Unmatched fitting and accessory offering
Special bottom options and splices
Highest quality fittings
Unmatched accessories supplied with attachment hardware
- **Cent-R-Rail™ Systems (See Cent-R-Rail Section - pages 114- 175)**
Data Track™, Verti-Rack™, Half-Rack™, and Multi-Tier Half-Rack™
Each system targeted to installation needs
Each system is the fastest in the industry to install
Pre-assembled, boxed connectors, splices
Crated straight section shipments
- **Wire Flextray Tray (See Flextray Section - pages 42-97)**
Best finish in the industry, ASTM B633, SC2 (ZN)
Strong straight top wire design maximizes strength and minimizes weight
Unmatched accessory package

Advantage of Using Cooper B-Line Cable Tray? Selection!

What kind of Cooper B-Line Cable Tray will work for your project?
First, answer three questions.

1. **Location:** Where will the project be located?
 - A. Is the installation inside or outside?
(decision dealing with thermal and weather conditions)
 - B. Any contact of corrosive materials?
(decision on cable tray material or finish)
 - C. Is the location for the cable tray confined or open?
(decision on the size and type of cable tray)
2. **Span:** What would be the longest and shortest spans between supporting locations for the installation of cables? (decision on type or combination of types of cable tray design needed to be the most efficient and economical)
3. **Cables:** How many and what type of cables are involved in the support installation?
(decision on the strength of the cable tray)

**All these variables are important to the cost savings and safety
of your Cooper B-Line Cable Tray installation project.**

It is your money, your decision.

Important notice: The information herein has been carefully checked for accuracy and is believed to be correct and current. No warranty, either expressed or implied, is made as to either its applicability to or its compatibility with specific requirements of this information, nor for damages consequential to its use. All design characteristics, specifications, tolerances and similar information are subject to change without notice.

Cable Tray Selection Charts

Short Span 6 - 8 Foot (distance between the supports)

Recommended Short Span Cable Tray Selection Use 10 ft or 12 ft Sections

| | Catalog Number | Rail Height | Load Depth | Span Load lbs/ft | | Available Widths | Material* | Straight Sections & Accessories Pages | Fittings Pages |
|-----------------------------|----------------|-------------|------------|------------------|------|------------------|--------------|---------------------------------------|-----------------|
| | | | | 6' | 8' | | | | |
| Flextray | FT2X2X10 | 2.380" | 2.000" | 28 | 20 | 2" | S | 46 & 49 - 97 | -- |
| | FT2X4X10 | 2.380" | 2.000" | 43 | 27 | 4" | S | 46 & 49 - 97 | -- |
| | FT2X6X10 | 2.380" | 2.000" | 47 | 27 | 6" | S | 46 & 49 - 97 | -- |
| | FT2X8X10 | 2.380" | 2.000" | 47 | 27 | 8" | S | 46 & 49 - 97 | -- |
| | FT2X12X10 | 2.380" | 2.000" | 47 | 27 | 12" | S | 46 & 49 - 97 | -- |
| | FT2X18X10 | 2.380" | 2.000" | 47 | 27 | 18" | S | 46 & 49 - 97 | -- |
| | FT2X20X10 | 2.380" | 2.000" | 47 | 27 | 20" | S | 46 & 49 - 97 | -- |
| | FT2X24X10 | 2.380" | 2.000" | 47 | 27 | 24" | S | 46 & 49 - 97 | -- |
| | FT4X4X10 | 4.380" | 4.000" | 49 | 36 | 4" | S | 47 & 49 - 97 | -- |
| | FT4X8X10 | 4.380" | 4.000" | 77 | 46 | 8" | S | 47 & 49 - 97 | -- |
| | FT4X12X10 | 4.380" | 4.000" | 83 | 47 | 12" | S | 47 & 49 - 97 | -- |
| | FT4X18X10 | 4.380" | 4.000" | 83 | 47 | 18" | S | 47 & 49 - 97 | -- |
| | FT4X20X10 | 4.380" | 4.000" | 83 | 47 | 20" | S | 47 & 49 - 97 | -- |
| | FT4X24X10 | 4.380" | 4.000" | 89 | 50 | 24" | S | 47 & 49 - 97 | -- |
| | FT6X12X10 | 6.380" | 6.000" | 86 | 48 | 12" | S | 47 & 49 - 97 | -- |
| | FT6X18X10 | 6.380" | 6.000" | 89 | 50 | 18" | S | 47 & 49 - 97 | -- |
| FT6X20X10 | 6.380" | 6.000" | 98 | 55 | 20" | S | 47 & 49 - 97 | -- | |
| FT6X24X10 | 6.380" | 6.000" | 107 | 60 | 24" | S | 47 & 49 - 97 | -- | |
| Cable Channel | ACC-03 | 1.250" | 1.250" | 15 | 10 | 3" | A | 100 & 101 - 104 | 105 - 112 |
| | ACC-04 | 1.750" | 1.750" | 33 | 20.5 | 4" | A | 100 & 101 - 104 | 105 - 112 |
| | ACC-06 | 1.750" | 1.750" | 36 | 22.5 | 6" | A | 100 & 101 - 104 | 105 - 112 |
| | †CC-03 | 1.250" | 1.250" | 17 | 11.5 | 3" | S, SS | 100 & 101 - 104 | 105 - 112 |
| | †CC-04 | 1.750" | 1.750" | 36 | 24.5 | 4" | S, SS | 100 & 101 - 104 | 105 - 112 |
| | †CC-06 | 1.750" | 1.750" | 41 | 28 | 6" | S, SS | 100 & 101 - 104 | 105 - 112 |
| | FCC-03 | 1.000" | 1.000" | 8 | -- | 3" | F | 352 & 353 | 353 & 354 |
| | FCC-04 | 1.125" | 1.125" | 12 | -- | 4" | F | 352 & 353 | 353 & 354 |
| FCC-06 | 1.625" | 1.625" | 58 | -- | 6" | F | 352 & 353 | 353 & 354 | |
| FCC-08 | 2.188" | 2.188" | 87 | -- | 8" | F | 352 & 353 | 353 & 354 | |
| Cent-R-Rail | C3ADB | 3.700" | 3.000" | 100 | 100 | 6" - 24" | A | 124 & 132 - 156 | -- |
| | C4ADB | 4.700" | 4.000" | 100 | 100 | 6" - 24" | A | 124 & 132 - 156 | -- |
| | C6ADB | 6.700" | 6.000" | 100 | 100 | 6" - 24" | A | 124 & 132 - 156 | -- |
| | C3A1H | 3.700" | 3.000" | 50 | 50 | 3" - 12" | A | 128 & 132 - 156 | -- |
| | C4A1H | 4.700" | 4.000" | 50 | 50 | 3" - 12" | A | 128 & 132 - 156 | -- |
| | C6A1H | 6.700" | 6.000" | 50 | 50 | 3" - 12" | A | 128 & 132 - 156 | -- |
| | C2AⓐV | All | 2.000" | -- | 225 | 3" - 12" | A | 126 & 132 - 156 | -- |
| | C3AⓐM | All | 3.000" | 50 | 50 | 3" - 12" | A | 130 & 132 - 156 | -- |
| | C4AⓐM | All | 4.000" | 50 | 50 | 3" - 12" | A | 130 & 132 - 156 | -- |
| Redi-Rail | H14AR | 3.840" | 3.000" | 224 | 194 | 6" - 36" | A | 178 & 180 - 187 | 191 - 201 |
| | H15AR | 4.840" | 4.000" | 224 | 224 | 6" - 36" | A | 178 & 180 - 187 | 191 - 201 |
| | H16AR | 5.840" | 5.000" | 224 | 224 | 6" - 36" | A | 179 & 180 - 187 | 191 - 201 |
| | H17AR | 6.840" | 6.000" | 224 | 224 | 6" - 36" | A | 179 & 180 - 187 | 191 - 201 |
| Cable Tray Steel | 148 | 3.625" | 3.077" | 204 | 115 | 6" - 36" | S | 204 & 208 - 214 | 216 - 224 |
| | 156 | 4.188" | 3.628" | 304 | 171 | 6" - 36" | S | 205 & 208 - 214 | 216 - 224 |
| | 166 | 5.188" | 4.628" | 308 | 173 | 6" - 36" | S | 206 & 208 - 214 | 216 - 224 |
| | 176 | 6.188" | 5.628" | - | 194 | 6" - 36" | S | 207 & 208 - 214 | 216 - 224 |
| | Fiber | 13F | 3.000" | 2.000" | 257 | 145 | 6" - 24" | F | 324 & 348 - 351 |

*Material: A = Aluminum • S = Steel • SS = Stainless Steel Type 304 or 316 • F = Fiberglass
 † = G for HDGAF • P for Pre-Galvanized • SS4 for 304 or SS6 for 316 Stainless Steel
 ① Insert 2, 3, 4, 5 or 6 for number of tiers • ② Insert 2, 3 or 4 for number of tiers



Cooper B-Line cable trays conform to the requirements of IEC Standard 61537, 2001 Ed.

Cable Tray Selection Charts

Intermediate Span 10 - 12 Foot (distance between the supports)

Recommended Intermediate Span Cable Tray Selection Use 12 ft Sections

| | Catalog Number | Rail Height | Load Depth | Span Load lbs/ft | | Available Widths | Material* | Straight Sections & Accessories Pages | Fittings Pages |
|------------------------|----------------|-------------|------------|------------------|-----|------------------|-----------|---------------------------------------|----------------|
| | | | | 10' | 12' | | | | |
| Cent-R-Rail | C3ADB | 3.700" | 3.000" | 100 | 100 | 6" - 24" | A | 124 & 132 - 156 | -- |
| | C4ADB | 4.700" | 4.000" | 100 | 100 | 6" - 24" | A | 124 & 132 - 156 | -- |
| | C6ADB | 6.700" | 6.000" | 100 | 100 | 6" - 24" | A | 124 & 132 - 156 | -- |
| | C3A1H | 3.700" | 3.000" | 100 | 100 | 3" - 12" | A | 128 & 132 - 156 | -- |
| | C4A1H | 4.700" | 4.000" | 100 | 100 | 3" - 12" | A | 128 & 132 - 156 | -- |
| | C6A1H | 6.700" | 6.000" | 100 | 100 | 3" - 12" | A | 128 & 132 - 156 | -- |
| Redi-Rail | H14AR | 3.840" | 3.000" | 124 | 86 | 6" - 36" | A | 178 & 180 - 187 | 191 - 201 |
| | H15AR | 4.840" | 4.000" | 147 | 102 | 6" - 36" | A | 178 & 180 - 187 | 191 - 201 |
| | H16AR | 5.840" | 5.000" | 164 | 114 | 6" - 36" | A | 179 & 180 - 187 | 191 - 201 |
| | H17AR | 6.840" | 6.000" | 144 | 100 | 6" - 36" | A | 179 & 180 - 187 | 191 - 201 |
| Aluminum | 24A | 4.120" | 3.050" | 181 | 126 | 6" - 36" | A | 228 & 238 - 248 | 288 - 302 |
| | 25A | 5.000" | 3.930" | 200 | 139 | 6" - 36" | A | 230 & 238 - 248 | 288 - 302 |
| | 26A | 6.120" | 5.040" | 204 | 142 | 6" - 36" | A | 232 & 238 - 248 | 288 - 302 |
| | 37A | 7.140" | 6.050" | -- | 222 | 6" - 36" | A | 234 & 238 - 248 | 288 - 302 |
| Steel | 148 | 3.625" | 3.077" | 73 | 51 | 6" - 36" | S | 204 & 208 - 214 | 216 - 224 |
| | 156 | 4.188" | 3.628" | 109 | 76 | 6" - 36" | S | 205 & 208 - 214 | 216 - 224 |
| | 166 | 5.188" | 4.628" | 111 | 77 | 6" - 36" | S | 206 & 208 - 214 | 216 - 224 |
| | 176 | 6.188" | 5.628" | 124 | 86 | 6" - 36" | S | 207 & 208 - 214 | 216 - 224 |
| | 248 | 4.188" | 3.140" | 148 | 103 | 6" - 36" | S | 252 & 260 - 270 | 288 - 302 |
| | 258 | 5.188" | 4.140" | 157 | 109 | 6" - 36" | S | 254 & 260 - 270 | 288 - 302 |
| | 268 | 6.188" | 5.140" | 158 | 110 | 6" - 36" | S | 256 & 260 - 270 | 288 - 302 |
| | 378 | 7.188" | 6.140" | 204 | 142 | 6" - 36" | S | 258 & 260 - 270 | 288 - 302 |
| Stainless Steel | 348 | 4.188" | 3.130" | 180 | 125 | 6" - 36" | SS_ | 274 & 277 - 284 | 288 - 302 |
| | 358 | 5.188" | 4.130" | 248 | 172 | 6" - 36" | SS_ | 275 & 277 - 284 | 288 - 302 |
| | 368 | 6.188" | 5.130" | 236 | 164 | 6" - 36" | SS_ | 276 & 277 - 284 | 288 - 302 |
| Fiberglass | 13F | 3.000" | 2.000" | 93 | 64 | 6" - 24" | F | 324 & 348 - 351 | 330 - 347 |
| | 24F | 4.000" | 3.000" | 226 | 157 | 6" - 36" | F | 325 & 348 - 351 | 330 - 347 |

*Material
 A = Aluminum
 S = Steel
 SS_ = Stainless Steel Type 304 or 316
 F = Fiberglass



Cooper B-Line cable trays conform to the requirements of IEC Standard 61537, 2001 Ed.


Cable Tray Selection Charts

Long 16 - 20 Foot (distance between the supports)

Recommended Intermediate Span Cable Tray Selection Use 20 ft Sections

| Catalog Number | Rail Height | Load Depth | Span Load lbs/ft | | | Available Widths | Material* | Straight Sections & Accessories Pages | Fittings Pages |
|----------------|-------------|------------|------------------|-----|-----|------------------|-----------|---------------------------------------|----------------|
| | | | 16' | 18' | 20' | | | | |
| 25A | 5.000" | 3.930" | 78 | 62 | 50 | 6" - 36" | A | 230 & 238 - 248 | 288 - 302 |
| 34A | 4.200" | 3.080" | 125 | 99 | 80 | 6" - 36" | A | 228 & 238 - 248 | 288 - 302 |
| 35A | 5.060" | 3.960" | 121 | 96 | 77 | 6" - 36" | A | 230 & 238 - 248 | 288 - 302 |
| 26A | 6.120" | 5.040" | 80 | 63 | 51 | 6" - 36" | A | 232 & 238 - 248 | 288 - 302 |
| 36A | 6.170" | 5.060" | 131 | 104 | 84 | 6" - 36" | A | 232 & 238 - 248 | 288 - 302 |
| 37A | 7.140" | 6.050" | 125 | 99 | 80 | 6" - 36" | A | 234 & 238 - 248 | 288 - 302 |
| 46A | 6.190" | 5.080" | 161 | 127 | 103 | 6" - 36" | A | 232 & 238 - 248 | 288 - 302 |
| 47A | 7.240" | 6.130" | 156 | 123 | 100 | 6" - 36" | A | 234 & 238 - 248 | 288 - 302 |
| H46A | 6.240" | 5.090" | 261 | 206 | 167 | 6" - 36" | A | 232 & 238 - 248 | 288 - 302 |
| H47A | 7.240" | 6.090" | 233 | 184 | 149 | 6" - 36" | A | 234 & 238 - 248 | 288 - 302 |
| 346 | 4.188" | 3.130" | 98 | 78 | 63 | 6" - 36" | S | 252 & 260 - 270 | 288 - 302 |
| 356 | 5.188" | 4.130" | 108 | 85 | 69 | 6" - 36" | S | 254 & 260 - 270 | 288 - 302 |
| 366 | 6.188" | 5.140" | 117 | 93 | 75 | 6" - 36" | S | 256 & 260 - 270 | 288 - 302 |
| 378 | 7.188" | 6.140" | 80 | 63 | 51 | 6" - 36" | S | 258 & 260 - 270 | 288 - 302 |
| 444 | 4.188" | 3.110" | 142 | 112 | 91 | 6" - 36" | S | 252 & 260 - 270 | 288 - 302 |
| 454 | 5.188" | 4.110" | 166 | 131 | 106 | 6" - 36" | S | 254 & 260 - 270 | 288 - 302 |
| 464 | 6.188" | 5.110" | 192 | 152 | 51 | 6" - 36" | S | 256 & 260 - 270 | 288 - 302 |
| 476 | 7.188" | 6.130" | 120 | 95 | 77 | 6" - 36" | S | 258 & 260 - 270 | 288 - 302 |
| 574 | 7.188" | 6.110" | 203 | 160 | 130 | 6" - 36" | S | 258 & 260 - 270 | 288 - 302 |
| 348 | 4.188" | 3.130" | 70 | 56 | 45 | 6" - 36" | SS_ | 274 & 277 - 284 | 288 - 302 |
| 358 | 5.188" | 4.130" | 97 | 77 | 62 | 6" - 36" | SS_ | 275 & 277 - 284 | 288 - 302 |
| 368 | 6.188" | 5.140" | 92 | 73 | 59 | 6" - 36" | SS_ | 276 & 277 - 284 | 288 - 302 |
| 464 | 6.188" | 5.110" | 192 | 152 | 123 | 6" - 36" | SS_ | 277 & 277 - 284 | 288 - 302 |
| 36F | 6.000" | 5.000" | 139 | 109 | 89 | 6" - 36" | F | 326 & 348 - 351 | 330 - 347 |
| 46F | 6.000" | 5.000" | 221 | 174 | 141 | 6" - 36" | F | 327 & 348 - 351 | 330 - 347 |
| H46F | 6.000" | 5.000" | 239 | 188 | 153 | 6" - 36" | F | 328 & 348 - 351 | 330 - 347 |

*Material
 A = Aluminum
 S = Steel
 SS_ = Stainless Steel Type 304 or 316
 F = Fiberglass

 Cooper B-Line cable trays conform to the requirements of IEC Standard 61537, 2001 Ed.

Cable Tray Selection Charts

Extra Long Span 24 - 30 Foot (distance between the supports)

Recommended Extra Long Span Cable Tray Selection Use 24 ft or 30 ft Sections

| | Catalog Number | Rail Height | Load Depth | Span Load lbs/ft | | Available Widths | Material* | Straight Sections & Accessories Pages | Fittings Pages |
|----------|----------------|-------------|------------|------------------|-----|------------------|-----------|---------------------------------------|----------------|
| | | | | 24' | 30' | | | | |
| Aluminum | 46A | 6.190" | 5.080" | 72 | - | 6" - 36" | A | 232 & 238 - 248 | 288 - 302 |
| | 47A | 7.240" | 6.130" | 69 | - | 6" - 36" | A | 234 & 238 - 248 | 288 - 302 |
| | 57A | 7.400" | 6.230" | 161 | 75 | 12" - 36" | A | 234 & 238 - 248 | 288 - 302 |
| | H46A | 6.240" | 5.090" | 116 | - | 6" - 36" | A | 232 & 238 - 248 | 288 - 302 |
| | H47A | 7.240" | 6.090" | 103 | - | 6" - 36" | A | 234 & 238 - 248 | 288 - 302 |
| | S8A | 8.000" | 6.200" | 252 | 161 | 12" - 36" | A | 236 & 237 | 237 |
| Steel | 444 | 4.188" | 2.110" | 63 | - | 6" - 36" | S | 252 & 260 - 270 | 288 - 302 |
| | 454 | 5.188" | 4.110" | 74 | - | 6" - 36" | S | 254 & 260 - 270 | 288 - 302 |
| | 464 | 6.188" | 5.110" | 85 | - | 6" - 36" | S | 256 & 260 - 270 | 288 - 302 |
| | 476 | 7.188" | 6.130" | 53 | - | 6" - 36" | S | 258 & 260 - 270 | 288 - 302 |
| | 574 | 7.188" | 6.110" | 90 | - | 6" - 36" | S | 258 & 260 - 270 | 288 - 302 |
| SS | 464 | 6.188" | 5.110" | 85 | - | 6" - 36" | SS_ | 276 & 277 - 284 | 288 - 302 |

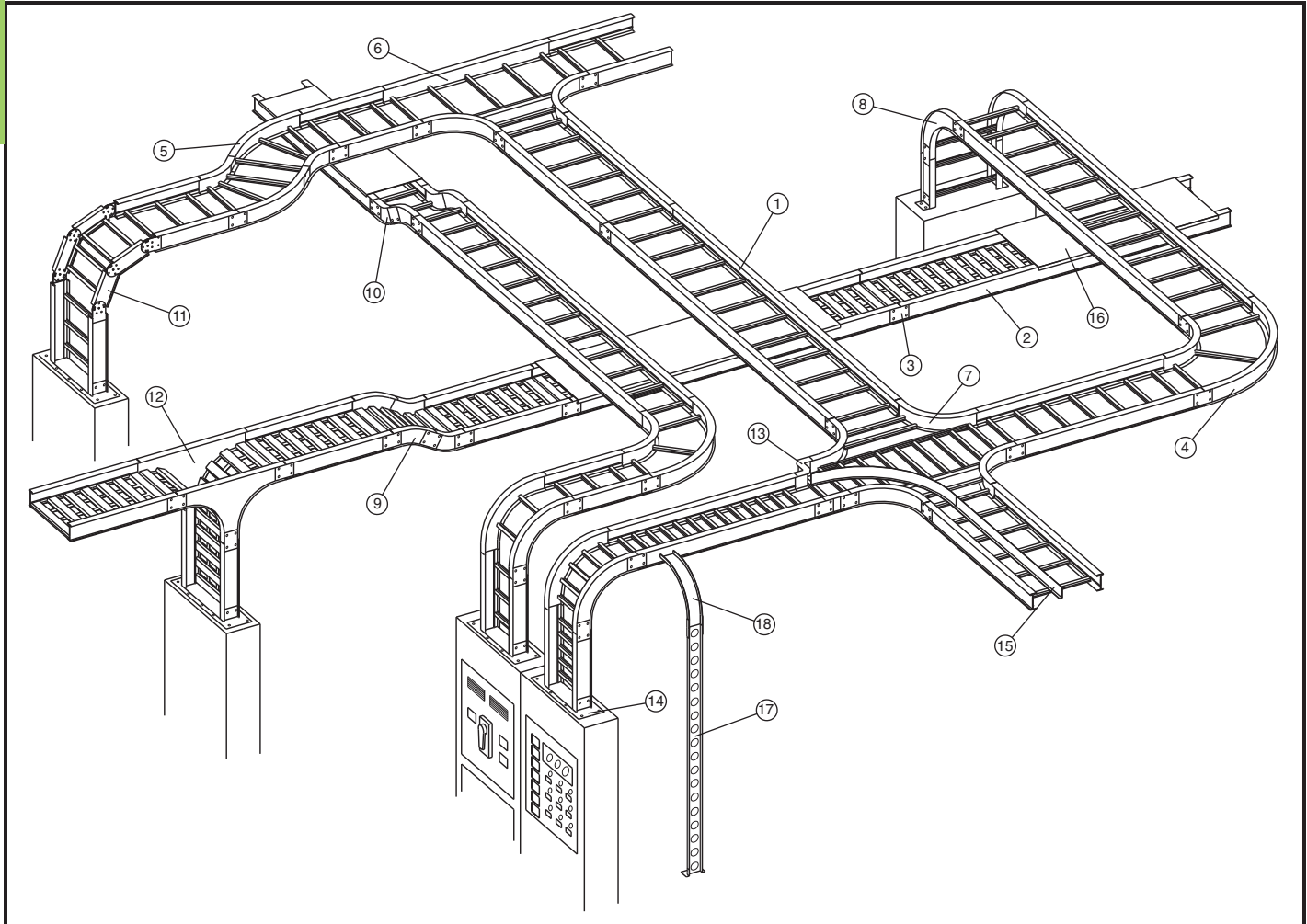
*Material
 A = Aluminum
 S = Steel
 SS_ = Stainless Steel Type 304 or 316



Cooper B-Line cable trays conform to the requirements of IEC Standard 61537, 2001 Ed.

Cable Tray Systems

Cooper B-Line Cable Trays - Designed for Your Cable Support Requirements



Nomenclature

- | | |
|--|--|
| 1. Ladder Type Cable Tray | 10. 30° Vertical Inside Bend, Ladder Type Cable Tray |
| 2. Ventilated Trough Type Cable Tray | 11. Vertical Bend Segment (VBS) |
| 3. Straight Splice Plate | 12. Vertical Tee Down, Ventilated Trough Type Cable Tray |
| 4. 90° Horizontal Bend, Ladder Type Cable Tray | 13. Left Hand Reducer, Ladder Type Cable Tray |
| 5. 45° Horizontal Bend, Ladder Type Cable Tray | 14. Frame Type Box Connector |
| 6. Horizontal Tee, Ladder Type Cable Tray | 15. Barrier Strip Straight Section |
| 7. Horizontal Cross, Ladder Type Cable Tray | 16. Solid Flanged Tray Cover |
| 8. 90° Vertical Outside Bend, Ladder Type Cable Tray | 17. Ventilated Channel Straight Section |
| 9. 45° Vertical Outside Bend, Ventilated Type Cable Tray | 18. Channel Cable Tray, 90° Vertical Outside Bend |

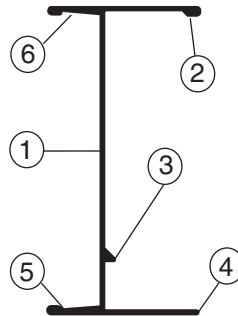
The Cooper B-Line Advantage - The Product

Aluminum Cable Tray, Series 2, 3 & 4

COOPER B-Line -- the Side Rails

Our I-Beam -- the most efficient structural shape

Using "Copper-free"
6063-T6 Aluminum Alloy



1. **I-beam side rail design**
 - maximize strength-to-weight ratio
2. **Added material to top flange to increase cable tray stiffness**
3. **Welding bead**
 - positive rung lock
 - added material disperses heat
4. **Bottom flange inside**
 - positive rung support
5. **Bottom flange outside**
 - strong lower flange for hold down clamps and expansion guides
6. **Top flange outside**
 - strong upper flange for securing the tray cover or the conduit-to-tray adapter

COOPER B-Line -- the Rungs -- provide system integrity

The rungs can represent 40% of your cable tray system.



Rung A Standard for widths through 24"

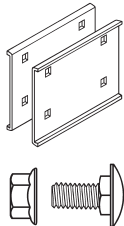
The 24" width supports 589 lbs. with safety factor 1.5

Rung B Standard for widths greater than 24"

The 36" width supports 487 lbs. with safety factor 1.5

- For industrial applications -- 200 lb. concentrated loads
- New P-Rung design allows P-Clamp cable fastening at any location.

COOPER B-Line -- the Splices -- provide system integrity



With the unique Wedge Lock splice system:

- Channel-shaped for extra strength
- Snaps into the side rail
- Positions and holds for bolting, a labor-saving feature
- Four bolt patterns, a labor-saving feature
- 316 Stainless Steel hardware is available as an option

COOPER B-Line -- the Fittings -- provide system integrity

Surpasses NEMA VE 1 requirements
3" straight tangents for splice integrity

COOPER B-Line -- with a 200 lb. Concentrated Load -- providing system integrity

Side rails engineered to support a 200 lb. concentrated load + cable load
Rungs engineered to support a 200 lb. concentrated load + cable load

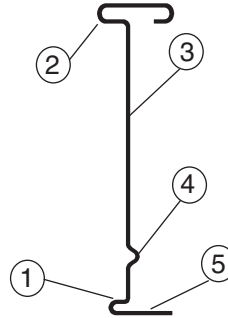
COOPER B-Line -- our reliable time-tested products. A system that works.

The Cooper B-Line Advantage - The Product

Steel Cable Tray, Series 2, 3, 4 & 5

COOPER B-Line -- the Side Rails

Our I-Beam -- the most efficient structural shape



1. Roll formed for extra strength
2. Enlarged top flange for stiffness
3. Structural grade traceable steel
4. Rung top lock
5. Rung bottom rest

Side rails and rungs are stamped every 18" with:

- Company Name
- Part Number
- Material
- Heat Trace Number

COOPER B-Line -- the Rungs -- provide system integrity

The rungs can represent 40% of your cable tray system.



Rung A

Standard for widths through 24"

The 24" width supports 581 lbs. with safety factor 1.5



Rung B

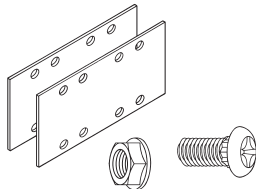
Standard for widths greater than 24"

The 36" width supports 485 lbs. with safety factor 1.5

For industrial applications -- 200 lb. concentrated loads.

Both Rung A and Rung B are roll formed from traceable structural grade steel

COOPER B-Line -- the Splices -- provide system integrity



The Splices -- the engineered connection:

- Special high strength eleven gauge steel
- Eight bolt connection for required strength
- Finish and hardware options

COOPER B-Line -- Hot Dip Galvanized After Fabrication (HDGAF) -- providing system integrity

- ASTM A123/CSA Type I
- In plant post-dip inspection and deburr
- ASTM F-1136-88 Grade 3 Splice hardware exceeds NEMA requirements.
- ASTM A123 Covers available - system compatibility

COOPER B-Line -- Pre-Galvanized- Hot Dip Mill Galvanized -- providing system integrity

- ASTM A653SS Gr.33 G90/ CSA Type II
- Anti-corrosive silicon bronze welds eliminate cosmetic painting

COOPER B-Line -- our reliable time-tested products. A system that works.

- 200 lb. Concentrated Load- side rail and rungs
- Splice integrity - 3" fitting tangents

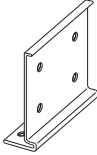
The Cooper B-Line Advantage - The Extras

COOPER B-Line -- Special Packaging



- For less than truckload (LTL) shipments
- Reduced freight claims over 50%
- A positive package for all

COOPER B-Line -- New Mid Span Aluminum Splice



- The standard splice for H46A, H47A and 57A systems
- Optional availability for other systems
- See appendix page 363 for details

COOPER B-Line -- Special Aluminum Long Span Systems



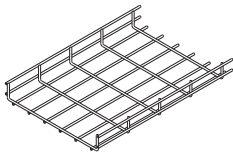
- 57A12-36-360 Tested to 102 lbs./ft. on 30' span - safety factor 1.5 (Page 234 & 235)
- S8A12-36-360 Tested to 161 lbs./ft. on 30' span - safety factor 1.5 (Page 236 & 237)

COOPER B-Line -- Redi-Rail™ Aluminum Cable Tray Systems (See Redi-Rail Section)



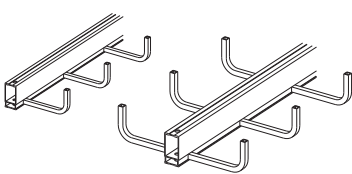
- 2, 3, 4, 5 and 6 inch cable fill depths
- NEMA classes to 12C
- Unique fabrication method provides unmatched installation options
- Industry leading accessory package

COOPER B-Line -- Wire Basket Cable Support Systems (See FLEXTRAY™ Section)

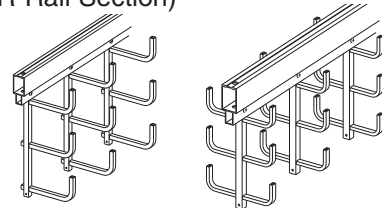


- Field adaptable - no fittings to order
- Low profile in 2", 4" and 6" loading depths
- Rugged welded steel, wire mesh construction

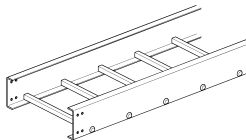
COOPER B-Line -- Cent-R-Rail™ Cable Tray System (See Cent-R-Rail Section)



- Four unique product offerings
- Perfect for today's high technology
- Fast to install in congested areas
- Request latest catalog



COOPER B-Line -- Non-Metallic Cable Tray (See Fiberglass Section)



- For corrosive environments
- For voltage isolation
- A complete line offering
- Request latest catalog



Cooper B-Line cable trays conform to the requirements of IEC Standard 61537, 2001 Ed.

The following factors should be considered when determining the appropriate cable tray system.

1. Material & Finish

- Standards Available (Pages 18 - 20)
- Corrosion (Pages 21 - 23)
- Thermal Contraction and Expansion (Page 24)
- Installation Considerations and Electrical Grounding Capacity (Page 25)

2. Strength

- Environmental Loads (Pages 26 & 27)
- Concentrated Loads (Page 27)
- Support Span (Page 27)
- Deflection (Page 28)
- Rung/Trough Data (Page 29)
- Load Capacity (NEMA & CSA Classes) (Pages 30 & 31)
- Cable Data (Page 32)

3. Width & Available Loading Depth

- Cable Diameter (Page 32)
- Allowable Cable Fill (Pages 33 - 37)
- Barrier Requirements (Page 38)
- Future Expansion Requirements (Page 38)
- Space Limitations (Page 38)

4. Length

- Lengths Available (Page 39)
- Support Spans (Not to exceed the length of straight sections) (Page 39)
- Space Limitations (Page 39)
- Installation (Page 39)

5. Loading Possibilities

- Power Application (Page 40)
- Data/Communication Cabling (Page 40)
- Other Factors to Consider (Page 40)

6. Bottom Type

- Type of Cable (Page 41)
- Cost vs. Strength (Page 41)
- Cable Exposure (Page 41)
- Cable Attachment (Page 41)

7. Fitting Radius

- Cable Flexibility (Page 41)
- Space Limitations (Page 41)

Cable Tray Selection - Material & Finish

Standards Available

| MATERIAL | MATERIAL SPECIFICATION | ADVANTAGES |
|-----------------|--|--|
| Aluminum | 6063-T6 (Side rails, Rungs and Splice Plates) 5052-H32 (Trough Bottoms, Covers and Accessories) | <ul style="list-style-type: none"> • Corrosion Resistance • Easy Field Fabrication & Installation • Excellent Strength to Weight Ratio • Excellent Grounding Conductor |
| Steel | ASTM A1011 SS Gr. 33 (14 Gauge Plain Steel) ASTM A1008 Gr. 33 Type 2 (16 & 18 Gauge Plain) ASTM A653SS Gr. 33 G90 (Pre-Galvanized) | <ul style="list-style-type: none"> • Electric Shielding • Finish Options • Low Thermal Expansion • Limited Deflection |
| Stainless Steel | AISI Type 304 or AISI Type 316 ASTM A240 | <ul style="list-style-type: none"> • Superior Corrosion Resistance • Withstands High Temperatures |

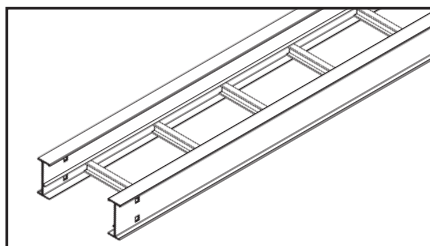
Note: Fiberglass available - see page 308

Aluminum

Aluminum cable trays are fabricated from structural grade “copper free” (marine grade) aluminum extrusions. Aluminum’s excellent corrosion resistance is due to its ability to form an aluminum oxide film that when scratched or cut reforms the original protective film. Aluminum has excellent resistance to “weathering” in most outdoor applications. Aluminum cable tray has excellent corrosion resistance in many chemical environments and has been used for over thirty years in petro-chemical plants and paper mills along the gulf coast from Texas to Florida. Typically, aluminum cable trays can perform indefinitely, with little or no degradation over time, making it ideal for many chemical and marine environments. The resistance to chemicals, indoor and outdoor, can best be determined by tests conducted by the user with exposure to the specific conditions for which it is intended. For further information, contact Cooper B-Line or the Aluminum Association.

Some common chemicals which aluminum resists are shown on pages 22 & 23.

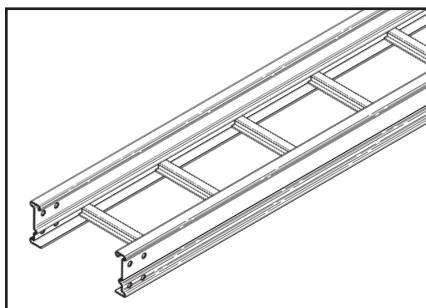
Aluminum Cable Tray



Steel

Steel cable trays are fabricated from continuous roll-formed structural quality steel. By roll-forming steel, the mechanical properties are increased allowing the use of a lighter gauge steel to carry the required load. This reduces the dead weight that must be carried by the supports and the installers. Using structural quality steel, Cooper B-Line assures that the material will meet the minimum yield and tensile strengths of applicable ASTM standards. All cable tray side rails, rungs and splice plates are numbered for material traceability. The corrosion resistance of steel varies widely with coating and alloy.

Steel and Stainless Steel Cable Tray



Note:

For help choosing proper cable tray material, see Cooper B-Line Technical Paper Series.

(bline.com/engineer/Technical.asp)

Stainless Steel

Stainless Steel cable trays are fabricated from continuous roll-formed AISI Type 304 or AISI Type 316/316L stainless steel. Both are non-magnetic and belong to the group called austenitic stainless steels. Like carbon steel, they exhibit increased strength when cold worked by roll-forming or bending.

Several important conditions could make the use of stainless steel imperative. These include long term maintenance costs, corrosion resistance, appearance and locations where product contamination is undesirable. Stainless steel exhibits stable structural properties such as yield strength and high creep strength at elevated temperatures.

Cooper B-Line’s stainless steel cable trays are welded using stainless steel welding wire to ensure each weldment exhibits the same corrosion resistant characteristic as the base metal. Localized staining in the weld area or heat affected zone may occur in severe environments. Specialized shielding gases and low carbon materials are used to minimize carbon contamination during welding and reduce staining and stress corrosion. Specify passivation after fabrication per ASTM A380 to minimize staining, improve aesthetics and further improve corrosion resistance.

A detailed study of the corrosive environment is recommended when considering a stainless steel design (see pages 22 & 23).

Cable Tray Selection - Material & Finish

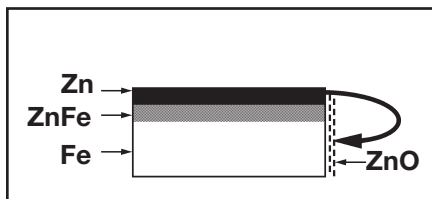
Standards Available

| FINISH | SPECIFICATION | RECOMMENDED USE |
|---|---|-----------------|
| Electrogalvanized Zinc | ASTM B633 (For Cable Tray Hardware and Accessories, Alum. and Pre-Galv.) (For Flextray Standard is B633 SC2) | Indoor |
| Chromium Zinc | ASTM F-1136-88 (Hardware for Hot Dip Galvanized Cable Tray) | Indoor/Outdoor |
| Pre-Galvanized Zinc | ASTM A653SS Gr.33 G90 (CSA Type 2) (Steel Cable Tray and Fittings) | Indoor |
| Hot Dip Galvanized Zinc After Fabrication | ASTM A123 (CSA Type 1) (Steel Cable Tray and Fittings) | Indoor/Outdoor |
| Special Paint | Per Customer Specification (Aluminum or Steel Cable Tray & Fittings) | Indoor |

Zinc Coatings

Zinc protects steel in two ways. First it protects the steel as a coating and second as a sacrificial anode to repair bare areas such as cut edges, scratches, and gouges. The corrosion protection of zinc is directly related to its thickness and the environment. This means a .2 mil coating will last twice as long as a .1 mil coating in the same environment.

Galvanizing also protects cut and drilled edges.



Electrogalvanized Zinc

Electrogalvanized Zinc (also known as zinc plated or electroplated) is the process by which a coating of zinc is deposited on the steel by electrolysis from a bath of zinc salts. This finish is standard for cable tray hardware and some accessories for aluminum and pre-galvanized systems.

A rating of SC3, B-Line's standard, provides a minimum zinc coating thickness of .5 mils (excluding threaded rod, which is SC1 = .2 mils)

When exposed to air and moisture, zinc forms a tough, adherent, protective film consisting of a mixture of zinc oxides, hydroxides, and carbonates. This film is in itself a barrier coating which slows subsequent corrosive attack on the zinc. This coating is usually recommended for indoor use in relatively dry areas, as it provides ninety-six hours protection in salt spray testing per ASTM B117.

Chromium/ Zinc

Chromium/ Zinc is a corrosion resistant composition, which was developed to protect fasteners and small bulk items for automotive use. The coating applications have since been extended to larger parts and other markets.

Chromium/Zinc composition is an aqueous coating dispersion containing chromium, proprietary organics, and zinc flake.

This finish provides 1000 hours protection in salt spray testing per ASTM B117, exceeding NEMA VE-1 requirements by 300%.

Pre-Galvanized Zinc

(Mill galvanized, hot dip mill galvanized or continuous hot dip galvanized)

Pre-Galvanized steel is produced by coating coils of sheet steel with zinc by continuously rolling the material through molten zinc at the mills. This is also known as mill galvanized or hot dip mill galvanized. These coils are then slit to size and fabricated by roll forming, shearing, punching, or forming to produce B-Line pre-galvanized cable tray products.

The G90 specification calls for a coating of .90 ounces of zinc per square foot of steel. This results in a coating of .45 ounces per square foot on each side of the sheet. This is important when comparing this finish to hot dip galvanized after fabrication.

During fabrication, cut edges and welded areas are not normally zinc coated; however, the zinc near the uncoated metal becomes a sacrificial anode to protect the bare areas after a short period of time.

To further insure a quality product, B-Line welds all pre-galvanized cable trays with a silicon bronze welding wire

allowing only a small heat affected zone to be exposed. This small area quickly repairs itself by the same process as cut edges.

Hot Dip Galvanized After Fabrication

(Hot dip galvanized or batch hot dip galvanized)

Hot Dip Galvanized After Fabrication cable tray products are fabricated from steel and then completely immersed in a bath of molten zinc. A metallic bond occurs resulting in a zinc coating that completely coats all surfaces, including edges and welds.

Another advantage of this method is coating thickness. Cable, trays hot dip galvanized after fabrication, have a minimum thickness of 1.50 ounces per square foot on each side, or a total 3.0 ounces per square foot of steel, according to ASTM A123.

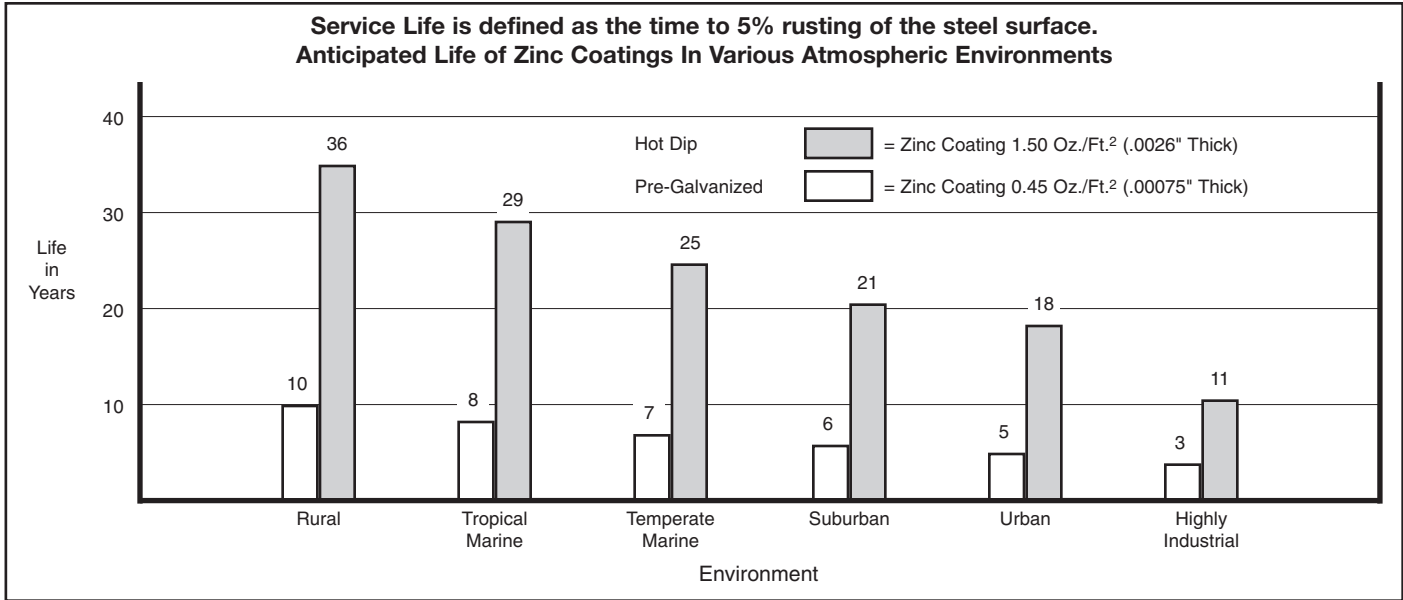
The zinc thickness is controlled by the amount of time each part is immersed in the molten zinc bath as well as the speed at which it is removed. The term "double dipping" refers to parts too large to fit into the galvanizing kettle and, therefore, must be dipped one end at a time. It does not refer to extra coating thickness.

The layer of zinc which bonds to steel provides a dual protection against corrosion. It protects first as an overall barrier coating. If this coating happens to be scratched or gouged, zinc's secondary defense is called upon to protect the steel by galvanic action.

Hot dip galvanized after fabrication is recommended for prolonged outdoor exposure and will protect steel for many years in most outdoor environments and in many aggressive industrial environments (see charts on page 20).

Cable Tray Selection - Material & Finish

Standards Available



PVC Coating

PVC coating aluminum or steel cable tray is not recommended and has been removed from Cooper B-Line's cable tray line.

The application of a 15 mil PVC coating to aluminum or steel cable tray was a somewhat popular finish option 15 or more years ago. The soft PVC coating must be completely intact for the finish to be effective. In a caustic atmosphere, a pinhole in the coating can render it useless and corrode the cable tray. The shipment of the cable tray consistently damages the coating, as does installation. The splice hardware, splice plates and ground straps require field removal of the coating to ensure connections. PVC coated cable tray drastically increases the product's cost and delivery time.

Cooper B-Line recommends using fiberglass - See Fiberglass section, or stainless steel cable tray systems in highly corrosive areas.

Painting Cable Tray

Cooper B-Line offers painted cable tray to any color specified by the customer. It is important to note that there are key advantages and disadvantages to ordering factory painted cable tray. Cooper B-Line typically does not recommend factory painted cable tray for most applications.

Painted cable tray is often used in "open ceiling" applications, where all the overhead equipment and structure is painted the same color. In this type of application, additional painting is often necessary in the field, after installation, to ensure all of the supporting components, such as hanger rods, clamps and attaching hardware have been painted uniformly. Pre-painted cable tray interferes with common grounding practices, requiring the paint to be removed at splice locations, and/or the addition of bonding jumpers that were otherwise unnecessary. This additional field modification not only increases the installation cost, but causes potential damage to the special painted finish.

It is typically more cost effective to use an Aluminum or Pre-Galvanized Steel cable tray and paint it after installation, along with the other un-painted building components. Consult painting contractor for proper surface preparation.

Special Paint

B-Line cable tray and supports can be painted or primed to meet the customers requirements. Cooper B-Line has several colors available, consult the factory.

If a non-standard color is required the following information needs to be specified:

1. Type of material preparation (primer, etc.)
2. Type of paint, manufacturer and paint number or type of paint with chip.
3. Dry film thickness.

Material/Finish Prefix Designation Chart

| Catalog Number Prefix | Material to be Furnished |
|-----------------------|--------------------------|
| A | Aluminum |
| P | Pre-Galvanized |
| G | Hot Dip Galvanized |
| ZN | Zinc Plated |
| S | Plain Steel |
| SS4 | Type 304 Stainless Steel |
| SS6 | Type 316 Stainless Steel |

Corrosion

All metal surfaces are affected by corrosion. Depending on the physical properties of the metal and the environment to which it is exposed, chemical or electromechanical corrosion may occur.

Atmospheric Corrosion

Atmospheric corrosion occurs when metal is exposed to airborne liquids, solids or gases. Some sources of atmospheric corrosion are moisture, salt, dirt and sulphuric acid. This form of corrosion is typically worse outdoors, especially near marine environments.

Chemical Corrosion

Chemical corrosion takes place when metal comes in direct contact with a corrosive solution. Some factors which affect the severity of chemical corrosion include: chemical concentration level, duration of contact, frequency of washing, and operating temperature.

Storage Corrosion

Wet storage stain (White rust) is caused by the entrapment of moisture between surfaces of closely packed and poorly ventilated material for an extended period. Wet storage stain is usually superficial, having no affect on the properties of the metal.

Light staining normally disappears with weathering.

Medium to heavy buildup should be removed, in order to allow the formation of normal protective film.

Proper handling and storage will help to assure stain-free material. If product arrives wet, it should be unpacked and dried before storage. Dry material should be stored in a well ventilated "low moisture" environment to avoid condensation formation. Outdoor storage is undesirable, and should be avoided whenever possible.

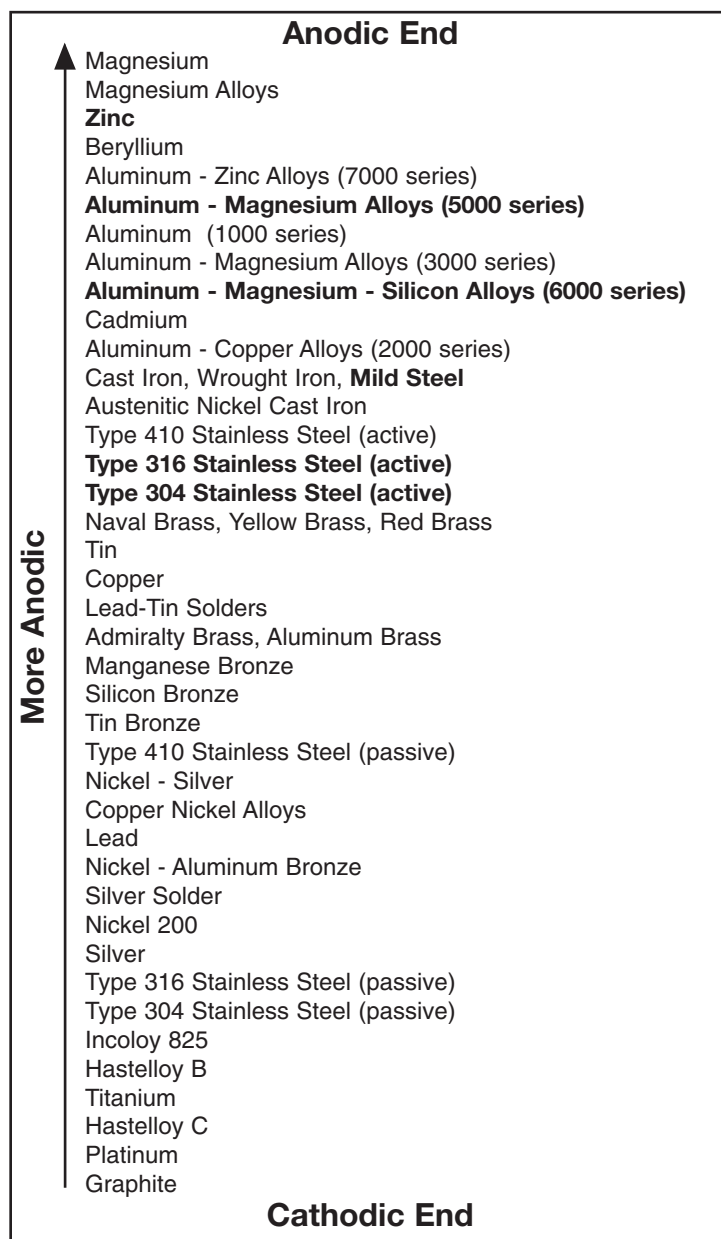
Galvanic Corrosion

Galvanic corrosion occurs when two or more dissimilar metals are in contacts in the presence of an electrolyte (ie. moisture). An electrolytic cell is created and the metals form an anode or a cathode depending on their relative position on the Galvanic Series Table. The anodic material will be the one to corrode. Whether a material is anodic depends on the relative position of the other material. For example: If zinc and steel are in contact, the zinc acts as the anode and will corrode; the steel acts as the cathode, and will be protected. If steel and copper are in contact, the steel is now the anode and will corrode.

The rate at which galvanic corrosion occurs depends on several factors:

1. The amount and concentration of electrolyte present- An indoor, dry environment will have little or no galvanic corrosion compared to a wet atmosphere.
2. The relative size of the materials- A small amount of anodic material in contact with a large cathodic material will result in greater corrosion. Likewise, a large anode in contact with a small cathode will decrease the rate of attack.
3. The relative position on the Galvanic Series Table - The further apart in the Galvanic Series Table, the greater the potential for corrosion of the anodic material.

Galvanic Series In Sea Water



Cable Tray Selection - Material & Finish

Corrosion Guide

| Chemical | Cable Tray Material | | | | | | | | |
|-----------------------------|---------------------|------|-----|--------------------|------|-----|--------------------|------|-----|
| | Aluminum | | | Stainless Type 304 | | | Stainless Type 316 | | |
| | Cold | Warm | Hot | Cold | Warm | Hot | Cold | Warm | Hot |
| Acetone | R | R | R | R | R | R | R | R | R |
| Aluminum Chloride Solution | NR | NR | NR | NR | -- | -- | F | -- | -- |
| Anhydrous Aluminum Chloride | R | R | R | NR | -- | -- | F | -- | -- |
| Aluminum Sulfate | R | R | R | R | R | R | R | R | R |
| Ammonium Chloride 10% | F | F | NR | R | R | R | R | R | R |
| Ammonium Hydroxide | F | F | F | R | R | R | R | R | R |
| Ammonium Phosphate | F | F | NR | R | -- | -- | R | -- | -- |
| Ammonium Sulfate | F | -- | -- | R | R | R | R | R | R |
| Ammonium Thiocyanate | R | R | R | R | -- | -- | R | R | R |
| Amyl Acetate | R | R | R | R | R | R | R | R | R |
| Amyl Alcohol | R | R | R | R | -- | -- | R | R | R |
| Arsenic Acid | F | F | F | R | R | -- | R | R | R |
| Barium Chloride | F | F | NR | R | R | R | R | R | R |
| Barium Sulfate | R | R | R | R | R | -- | R | R | -- |
| Barium Sulfide | NR | NR | NR | R | R | -- | R | R | -- |
| Benzene | R | R | R | R | R | R | R | R | R |
| Benzoic Acid | F | F | NR | R | R | R | R | R | R |
| Boric Acid | R | R | F | R | R | R | R | R | R |
| Bromine Liquid or Vapor | NR | NR | NR | NR | NR | NR | NR | NR | NR |
| Butyl Acetate | R | R | R | R | -- | -- | R | R | R |
| Butyl Alcohol | R | R | R | R | R | R | R | R | R |
| Butyric Acid | F | F | F | R | R | R | R | R | R |
| Calcium Chloride 20% | F | F | NR | R | -- | -- | R | -- | -- |
| Calcium Hydroxide | N | -- | -- | R | R | F | R | R | R |
| Calcium Hypochlorite 2 - 3% | F | -- | -- | R | -- | -- | R | -- | -- |
| Calcium Sulfate | R | R | -- | R | R | -- | R | R | -- |
| Carbon Monoxide Gas | R | R | R | R | R | R | R | R | R |
| Carbon Tetrachloride | F | F | NR | F | F | F | R | R | R |
| Chloroform Dry | R | NR | NR | R | R | -- | R | R | -- |
| Chloroform Solution | R | NR | NR | -- | -- | -- | -- | -- | -- |
| Chromic Acid 10% CP | R | R | -- | R | R | F | R | R | R |
| Citric Acid | F | F | F | R | R | NR | R | R | R |
| Copper Cyanide | NR | NR | NR | R | R | R | R | R | R |
| Copper Sulfate 5% | NR | NR | NR | R | R | R | R | R | R |
| Ethyl Alcohol | R | R | R | R | R | R | R | R | R |
| Ethylene Glycol | R | R | F | R | R | -- | R | R | R |
| Ferric Chloride | NR | NR | NR | NR | NR | NR | NR | NR | NR |
| Ferrous Sulfate 10% | R | NR | NR | R | R | -- | R | R | -- |
| Formaldehyde 37% | R | R | R | R | R | R | R | R | R |
| Formic Acid 10% | R | R | -- | R | R | NR | R | R | R |
| Gallic Acid 5% | R | R | NR | R | R | R | R | R | R |
| Hydrochloric Acid 25% | NR | NR | NR | NR | NR | NR | NR | NR | NR |
| Hydrofluoric Acid 10% | NR | NR | NR | NR | NR | NR | NR | NR | NR |
| Hydrogen Peroxide 30% | R | R | R | R | R | R | R | R | R |
| Hydrogen Sulfide Wet | R | -- | -- | NR | NR | NR | R | R | R |

R = Recommended
 F = May be used under some conditions
 NR = Not Recommended
 -- = Information not available

The corrosion data given in this table is for general comparison only. (Reference Corrosion Resistance Tables, Second Edition)

The presence of contaminants in chemical environments can greatly affect the corrosion rate of any material.

B-Line strongly suggests that field service tests or simulated laboratory tests using actual environmental conditions be conducted in order to determine the proper materials and finishes to be selected.

For questionable environments see Fiberglass Cable Tray Corrosion Guide (Pages 306 & 307).

Cold = 50 - 80°F Warm = 130 - 170°F Hot = 200 - 212°F

Cable Tray Selection - Material & Finish

Corrosion Guide

| Chemical | Cable Tray Material | | | | | | | | |
|--------------------------|---------------------|------|-----|--------------------|------|-----|--------------------|------|-----|
| | Aluminum | | | Stainless Type 304 | | | Stainless Type 316 | | |
| | Cold | Warm | Hot | Cold | Warm | Hot | Cold | Warm | Hot |
| Lactic Acid 10% | R | F | NR | R | R | F | R | R | R |
| Lead Acetate 5% | NR | NR | NR | R | R | R | R | R | R |
| Magnesium Chloride 1% | NR | NR | NR | R | -- | F | R | -- | R |
| Magnesium Hydroxide | R | R | R | R | R | -- | R | R | -- |
| Magnesium Nitrate 5% | R | -- | -- | R | R | R | R | R | R |
| Nickel Chloride | NR | NR | NR | R | -- | -- | R | -- | -- |
| Nitric Acid 15% | NR | NR | NR | R | R | R | R | R | R |
| Oleic Acid | R | R | F | R | R | F | R | R | R |
| Oxalic Acid 10% | R | F | NR | NR | NR | NR | R | R | R |
| Phenol CP | R | R | R | R | R | R | R | R | R |
| Phosphoric Acid 50% | NR | NR | NR | R | R | R | R | F | NR |
| Potassium Bromide 100% | R | F | NR | R | R | -- | R | R | R |
| Potassium Carbonate 100% | F | F | -- | R | R | R | R | R | R |
| Potassium Chloride 5% | R | R | R | R | R | R | R | R | R |
| Potassium Dichromate | R | R | R | R | R | R | R | R | R |
| Potassium Hydroxide 50% | NR | NR | NR | R | R | R | R | R | R |
| Potassium Nitrate 50% | R | R | R | R | R | R | R | R | R |
| Potassium Sulfate 5% | R | R | R | R | R | R | R | R | R |
| Propyl Alcohol | R | R | R | R | R | R | R | R | R |
| Sodium Acetate 20% | R | F | F | R | R | R | R | R | R |
| Sodium Bisulfate 10% | R | F | F | R | R | R | R | R | R |
| Sodium Borate | R | F | F | R | R | R | R | R | R |
| Sodium Carbonate 18% | R | F | F | R | R | R | R | R | R |
| Sodium Chloride 5% | R | NR | NR | R | R | R | R | R | R |
| Sodium Hydroxide 50% | NR | NR | NR | R | R | R | R | R | R |
| Sodium Hypochlorite 5% | R | F | F | F | -- | -- | R | -- | -- |
| Sodium Nitrate 100% | R | R | R | R | R | R | R | R | R |
| Sodium Nitrite 100% | R | R | R | R | R | R | R | R | R |
| Sodium Sulfate 100% | R | R | F | R | R | R | R | R | R |
| Sodium Thiosulfate | R | R | R | R | R | R | R | R | R |
| Sulfur Dioxide (Dry) | R | R | R | R | R | R | R | R | R |
| Sulfuric Acid 5% | NR | NR | -- | F | NR | NR | R | -- | -- |
| Sulfuric Acid 10% | NR | NR | NR | NR | NR | NR | NR | NR | NR |
| Sulfuric Acid 50% | NR | NR | NR | NR | NR | NR | NR | NR | NR |
| Sulfuric Acid 75 - 98% | NR | NR | NR | NR | NR | NR | NR | NR | NR |
| Sulfuric Acid 98 - 100% | NR | NR | -- | R | -- | -- | R | R | F |
| Tannic Acid 10 & 50% | NR | NR | NR | R | R | R | R | R | R |
| Tartaric Acid 10 & 50% | F | NR | NR | R | R | R | R | R | R |
| Vinegar | F | F | F | R | R | R | R | R | R |
| Zinc Chloride 5 & 20% | F | NR | NR | R | F | NR | R | R | R |
| Zinc Nitrate | F | NR | NR | R | R | R | R | R | R |
| Zinc Sulfate | F | NR | NR | R | R | R | R | R | R |

R = Recommended
 F = May be used under some conditions
 NR = Not Recommended
 -- = Information not available

The corrosion data given in this table is for general comparison only. (Reference Corrosion Resistance Tables, Second Edition)

The presence of contaminants in chemical environments can greatly affect the corrosion rate of any material.

B-Line strongly suggests that field service tests or simulated laboratory tests using actual environmental conditions be conducted in order to determine the proper materials and finishes to be selected.

For questionable environments see Fiberglass Cable Tray Corrosion Guide (Pages 306 & 307).

Cold = 50 - 80°F Warm = 130 - 170°F Hot = 200 - 212°F

Cable Tray Selection - Material & Finish

Thermal Contraction and Expansion

It is important that thermal contraction and expansion be considered when installing cable tray systems. The length of the straight cable tray runs and the temperature differential govern the number of expansion splice plates required (see Table 2 below).

The cable tray should be anchored at the support nearest to its midpoint between the expansion splice plates and secured by expansion guides at all other support locations (see Figure 1). The cable tray should be permitted longitudinal movement in both directions from that fixed point. When used, covers should be overlapped at expansion splices.

Accurate gap settings at the time of installation are necessary for the proper operation of the expansion splice plates. The following procedure should assist the installer in determining the correct gap: (see Figure 2)

- 1 Plot the highest expected metal temperature on the maximum temperature line.
- 2 Plot the lowest expected metal temperature on the minimum temperature line.
- 3 Draw a line between the maximum and minimum points.
- 4 Plot the metal temperature at the time of installation to determine the gap setting.

Refer to page 311 for thermal contraction and expansion of fiberglass cable trays.

Figure 1

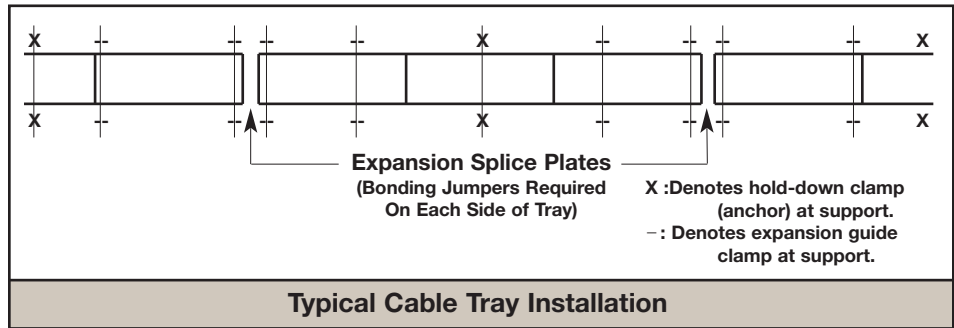


Figure 2

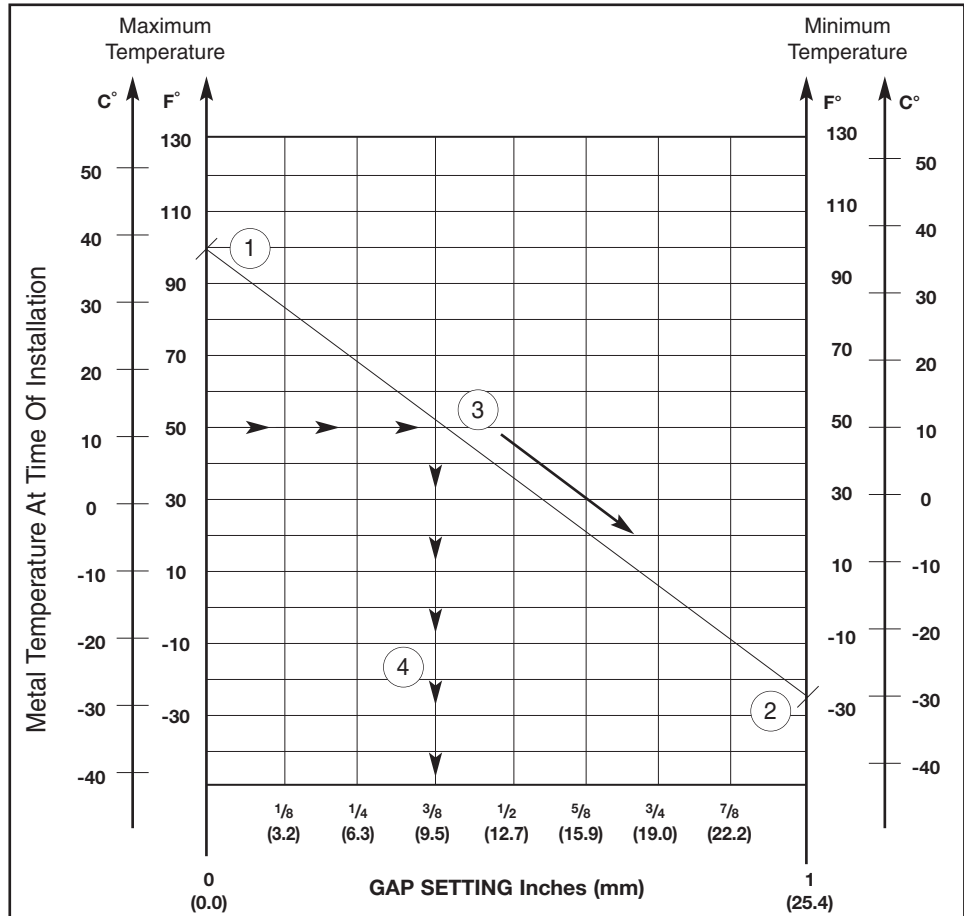


Table 2

| Maximum Spacing Between Expansion Joints For 1" Movement | | | | | | | | | |
|--|------|-------|-------|----------|------|-----------------|-------|-----|-------|
| Temperature Differential | | Steel | | Aluminum | | Stainless Steel | | | |
| °F | °C | Feet | m | Feet | m | 304 | 316 | 304 | 316 |
| 25 | 13.9 | 512 | 156.0 | 260 | 79.2 | 347 | 105.7 | 379 | 115.5 |
| 50 | 27.8 | 256 | 78.0 | 130 | 39.6 | 174 | 53.0 | 189 | 57.6 |
| 75 | 41.7 | 171 | 52.1 | 87 | 26.5 | 116 | 35.4 | 126 | 38.4 |
| 100 | 55.6 | 128 | 39.0 | 65 | 19.8 | 87 | 26.5 | 95 | 29.0 |
| 125 | 69.4 | 102 | 31.1 | 52 | 15.8 | 69 | 21.0 | 76 | 23.2 |
| 150 | 83.3 | 85 | 25.9 | 43 | 13.1 | 58 | 17.7 | 63 | 19.2 |
| 175 | 97.2 | 73 | 22.2 | 37 | 11.3 | 50 | 15.2 | 54 | 16.4 |

Note: every pair of expansion splice plates requires two bonding jumpers for grounding continuity.

Installation Considerations

Weight

The weight of an aluminum cable tray is approximately half that of a comparable steel tray. Some factors to consider include: shipping costs, material, handling, project weight restrictions and the strength of support members.

Field Modifications

Aluminum cable tray is easier to cut and drill than steel cable tray since it is a “softer” material. Similarly, galvanized steel cable tray is easier to cut and drill than stainless steel cable tray. Cooper B-Line aluminum cable tray uses a four bolt splice, resulting in half as much drilling and hardware installation as most steel cable tray, which uses an eight bolt splice. Hot dip galvanized and painted steel cable tray finishes must be repaired when field cutting or drilling. Failure to repair coatings will impair the cable tray’s corrosion resistance.

Availability

Aluminum, pre-galvanized, stainless steel and fiberglass cable tray can normally be shipped from the factory in a short period of time. Hot dip galvanized and painted cable tray requires an additional coating process, adding several days of preparation before final shipment. Typically, a coated cable tray will be sent to an outside source for coating, requiring additional packing and shipping.

Electrical Grounding Capacity

The National Electrical Code, Article 392.7 allows cable tray to be used as an equipment grounding conductor. All Cooper B-Line standard steel and aluminum cable trays are classified by Underwriter’s Laboratories per NEC Table 392.7 based on their cross-sectional area.

The corresponding cross-sectional area for each side rail design (2 side rails) is listed on a fade resistant UV stabilized label (see Figure 3). This cable tray label is attached to each straight section and fitting that is U.L. classified. U.L. assigned cross-sectional area is also stated in the loading charts in this catalog for each system.

NEMA Installation Guide

The new NEMA VE 2 is a cable tray installation guideline and is available from NEMA, CTI or Cooper B-Line. For free download see www.cabletrays.com.

Table 392.7(B)(2)
Metal Area Requirements for Cable Trays
Used as Equipment Grounding Conductors

| Maximum Fuse Ampere Rating, Circuit Breaker Ampere Trip Setting, or Circuit Breaker Protective Relay Ampere Trip Setting for Ground Fault Protection of any Cable Circuit in the Cable Tray System | Minimum Cross-Sectional Area of Metal* In Square Inches | |
|--|---|----------------------|
| | Steel Cable Trays | Aluminum Cable Trays |
| 60 | 0.20 | 0.20 |
| 100 | 0.40 | 0.20 |
| 200 | 0.70 | 0.20 |
| 400 | 1.00 | 0.40 |
| 600 | 1.50** | 0.40 |
| 1000 | -- | 0.60 |
| 1200 | -- | 1.00 |
| 1600 | -- | 1.50 |
| 2000 | -- | 2.00** |

For SI units: one square inch = 645 square millimeters.
 * Total cross-sectional area of both side rails for ladder or trough-type cable trays; or the minimum cross-sectional area of metal in channel-type cable trays or cable trays of one-piece construction.
 ** Steel cable trays shall not be used as equipment grounding conductors for circuits with ground-fault protection above 600 amperes. Aluminum cable trays shall not be used as equipment grounding conductors for circuits with ground-fault protection above 2000 amperes.
 For larger ampere ratings an additional grounding conductor must be used.

Cable Tray Selection

Figure 3

WARNING!

Do Not Use As A Walkway, Ladder, Or Support For Personnel.

Use Only As A Mechanical Support For Cables, Tubing and Raceways.

Catalog Number: 24A09-12-144 STR SECTION
 Shipping Ticket: 260203 00 001
 Mark Number: 78101115400
 Purchase Order: D798981
 Minimum Area: 1.000 SQ. IN.
 Load Class: D1 179 KG/M 3 METER SPAN

1 of 1

09/15/2005
000291745

COOPER B-Line

www.cooperbline.com
(618) 654-2184

UL CLASSIFIED This product is classified by Underwriters Laboratories, Inc. as to its suitability as an equipment grounding conductor only. 556E

NON-VENTILATED Reference File #LR36026

CE

30781011154005

Cable Tray Selection - Strength

Environmental Loads

Wind Loads

Wind loads need to be determined for all outdoor cable tray installations. Most outdoor cable trays are ladder type trays, therefore the most severe loading to be considered is impact pressure normal to the cable tray side rails (see detail 1).

Detail 1



The impact pressure corresponding to several wind velocities are given below in Table 1.

Table 1
Impact Pressures

| V(mph) | P(lbs/ft ²) | V(mph) | P(lbs/ft ²) |
|--------|-------------------------|--------|-------------------------|
| 15 | 0.58 | 85 | 18.5 |
| 20 | 1.02 | 90 | 20.7 |
| 25 | 1.60 | 95 | 23.1 |
| 30 | 2.30 | 100 | 25.6 |
| 35 | 3.13 | 105 | 28.2 |
| 40 | 4.09 | 110 | 30.9 |
| 45 | 5.18 | 115 | 33.8 |
| 50 | 6.39 | 120 | 36.8 |
| 55 | 7.73 | 125 | 40.0 |
| 60 | 9.21 | 130 | 43.3 |
| 65 | 10.80 | 135 | 46.6 |
| 70 | 12.50 | 140 | 50.1 |
| 75 | 14.40 | 145 | 53.8 |
| 80 | 16.40 | 150 | 57.6 |

V= Wind Velocity

P= Impact Pressure

Note: These values are for an air density of 0.07651 lbs/ft³ corresponding to a temperature of 60° F and barometric pressure of 14.7 lbs/in².

Example Calculation:

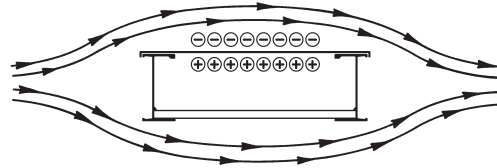
Side load for 6" side rail with 100 mph wind

$$\frac{25.6 \times 6}{12} = 12.8 \text{ lbs/ft}$$

When covers are installed on outdoor cable trays, another factor to be considered is the aerodynamic effect which can produce a lift strong enough to

separate a cover from a tray. Wind moving across a covered tray (see detail 2) creates a positive pressure inside the tray and a negative pressure above the cover. This pressure difference can lift the cover off the tray.

Detail 2



B-Line recommends the use of heavy duty wrap-around cover clamps when covered trays are installed in an area where strong winds occur.

Special Notice:

Covers on wide cable tray and/or cable tray installed at elevations high off the ground may require additional heavy duty clamps or thicker cover material.

Ice Loads

Glaze ice is the most commonly seen form of ice build-up. It is the result of rain or drizzle freezing on impact with an exposed object. Generally, only the top surface (or the cover) and the windward side of a cable tray system is significantly coated with ice. The maximum design load to be added due to ice should be calculated as follows:

$$LI = \left(\frac{W \times TI}{144} \right) \times DI \text{ where;}$$

LI= Ice Load (lbs/linear foot)

W= Cable Tray Width (inches)

TI= Maximum Ice Thickness (inches)

DI= Ice Density = 57 lbs/ft³

the maximum ice thickness will vary depending on location. A thickness of 1/2" can be used as a conservative standard.

Example Calculation:

Ice Loads for 24" wide tray with 1/2" thick ice;

$$\frac{24 \times .5}{144} \times 57 = 4.75 \text{ lbs/ft}$$

Environmental Loads

Snow Loads

Snow is measured by density and thickness. The density of snow varies almost as much as its thickness. The additional design load from snowfall should be determined using the building codes which apply for each installation.

Seismic Loads

A great deal of seismic testing and evaluation of cable tray systems, and their supports, has been performed. The conclusions reached from these evaluations is that cable tray is stronger laterally than vertically, since it acts as a truss in the lateral direction. Other factors that contribute to the stability of cable tray are the energy dissipating motion of the cables within the tray, and the high degree of ductility of the cable tray and the support material.

These factors, working in conjunction with a properly designed cable tray system, should afford reasonable assurance to withstand even strong motion earthquakes.

When seismic bracing is required for a cable tray system, it should be applied to the supports and not the cable tray itself. Cooper B-Line's "Seismic Restraints" brochure provides OSHPD approved methods of bracing cable tray supports using standard Cooper B-Line products. Contact Cooper B-Line to receive a copy of this brochure.

Concentrated Loads

A concentrated static load represents a static weight applied at a single point between the side rails. Tap boxes, conduit attachments and long cable drops are just some of the many types of concentrated loads. When so specified, these concentrated static loads may be converted to an equivalent, uniform load (W_e) by using the following formula:

$$W_e = \frac{2 \times (\text{concentrated Static Load})}{\text{span length}}$$

Cooper B-Line's cable tray side rails, rungs and bottoms will withstand a 200 lb. static load without collapse (series 14 excluded)*. However, it should be noted that per NEMA Standard Publication VE1 cable tray is designed as a support for power or control cables, or both, and is not intended or designed to be a walkway for personnel. Each section of Cooper B-Line Cable Tray has a label stating the following message:

Warning! Not to be used as a walkway, ladder or support for personnel. To be used only as a mechanical support for cables and raceway.

Support Span

The strength of a cable tray is largely determined by the strength of its side rails. The strength of a cable tray side rail is proportionate to the distance between the supports on which it is installed, commonly referred to as the "support span". Therefore, the strength of a cable tray system can be altered by changing the support span. However, there is a limit to how much the strength of a cable tray system can be increased by reducing the support span, because the strength of the cable tray bottom members could become the determining factor of strength.

Once the load requirement of a cable tray system has been established, the following factors should be considered:

1. Sometimes the location of existing structural beams will dictate the cable tray support span. This is typical with outdoor installations where adding intermediate supports could be financially prohibitive. For this situation the appropriate cable tray must be selected to accommodate the existing span.
2. When cable tray supports are randomly located, the added cost of a higher strength cable tray system should be compared to the cost of additional supports. Typically, adding supports is more costly than installing a stronger series of cable tray. The stronger cable tray series (e.g. from 75 lbs./ft. on 20' span to 100 lbs./ft. on 20' span) will increase the price of the cable tray system minimally, possibly less than \$1/ft., with little or no additional labor cost for installation. Alternately, one extra support may cost \$100.00 (material and labor) for a simple trapeze. Future cable additions or the capability of supporting equipment, raceways for example, also favor stronger cable tray systems. *In summary, upgrading to a stronger cable tray series is typically more cost-effective than using the recommended additional supports for a lighter duty cable tray series.*
3. The support span lengths should be equal to or less than unspliced straight section lengths, to ensure that no more than one splice is placed between supports as stated in the NEMA VE 2 Cable Tray Installation Guideline.

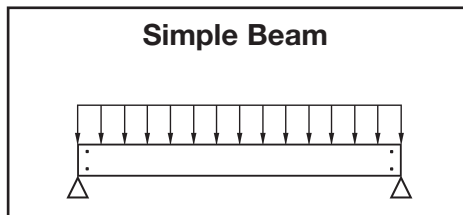
Cable Tray Selection - Strength

Deflection

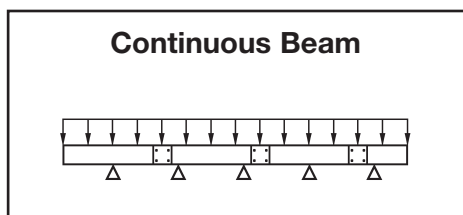
Deflection in a cable tray system is primarily an aesthetic consideration. When a cable tray system is installed in a prominent location, a maximum simple beam deflection of 1/200 of support span can be used as a guideline to minimize visual deflection.

It is important at this point to mention that there are two typical beam configurations, simple beam and continuous beam, and to clarify the difference.

A good example of a simple beam is a single straight section of cable tray supported, but not fastened at either end. When the tray is loaded the cable tray is allowed to flex. Simple beam analysis is used almost universally for beam comparisons even though it is seldom practical in the field installations. The three most prominent reasons for using a simple beam analysis are: calculations are simplified; it represents the worst case loading; and testing is simple and reliable. The published load data in the Cooper B-Line cable tray catalog is based on the simple beam analysis per NEMA & CSA Standards.



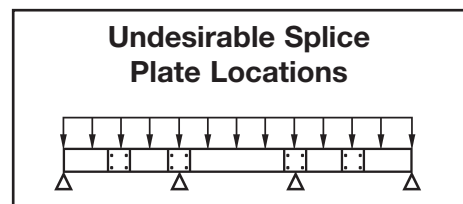
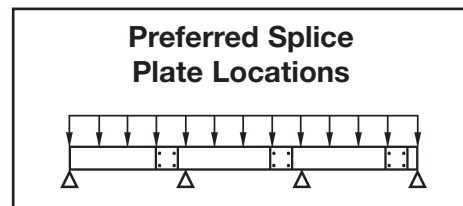
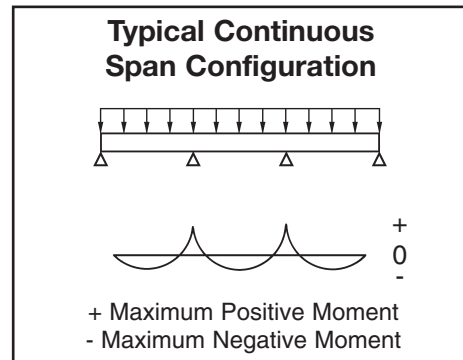
Continuous beam is the beam configuration most commonly used in cable tray installations. An example of this configuration is where cable trays are installed across several supports to form a number of spans. The continuous beam possesses traits of both the simple and fixed beams. When equal loads are applied to all spans simultaneously, the counterbalancing effect of the loads on both sides of a support restricts the movement of the cable tray at the support. The effect is similar to that of a fixed beam. The end spans behave substantially like simple beams. When cable trays of identical design are compared, the continuous beam installation will typically have approximately half the deflection of a simple beam of the same span. Therefore simple beam data should be used only as a general comparison. The following factors should be considered when addressing cable tray deflection:



1. Economic consideration must be considered when addressing cable deflection criteria.
2. Deflection in a cable tray system can be reduced by decreasing the support span, or by using a taller or stronger cable tray.
3. When comparing cable trays of equivalent strength, a steel cable tray will typically exhibit less deflection than an aluminum cable tray since the modulus of elasticity of steel is nearly three times that of aluminum.
4. The location of splices in a continuous span will affect the deflection of the cable tray system. The splices should be located at points of minimum stress whenever practical. NEMA Standards VE 1 limits the use of splice plates as follows:

Unspliced straight sections should be used on all simple spans and on end spans of continuous span runs. Straight section lengths should be equal to or greater than the span length to ensure not more than one splice between supports.

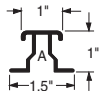
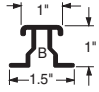
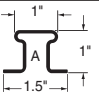
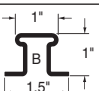
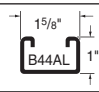
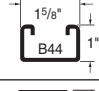
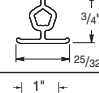
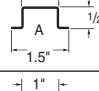
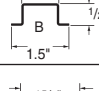
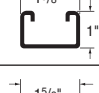

See the figures below for splicing configuration samples.



Cable Tray Selection - Strength

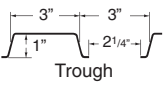
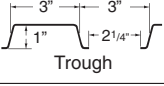
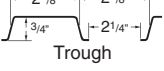
Load Capacity

Ladder Type Rungs

| Rung Type | Design Factors | Material Type | Single Rung Uniform Load Capacity (in Lbs.) with safety factor of 1.5 | | | | | | |
|---|--|----------------------|---|------|------|------|------|------|-----|
| | | | Tray Width | | | | | | |
| | | | 6 | 9 | 12 | 18 | 24 | 30 | 36 |
|  | $I_x = .0361 \text{ in.}^4$ $S_x = .0707 \text{ in.}^3$ | Aluminum | | | | 766 | 575 | | |
|  | $I_x = .0432 \text{ in.}^4$ $S_x = .0877 \text{ in.}^3$ | Aluminum | | | | | 594 | 495 | |
|  | $I_x = .0249 \text{ in.}^4$ $S_x = .0528 \text{ in.}^3$ | Steel | 2912 | 1941 | 1456 | 971 | 728 | | |
|  | $I_x = .0312 \text{ in.}^4$ $S_x = .0661 \text{ in.}^3$ | Steel | | | | | | 749 | 624 |
|  | $I_x = .0450 \text{ in.}^4$ $S_x = .0787 \text{ in.}^3$ | Aluminum Strut Rung | 3328 | 2219 | 1664 | 1109 | 832 | 666 | 555 |
|  | $I_x = .0445 \text{ in.}^4$ $S_x = .0782 \text{ in.}^3$ | Steel Strut Rung | 5172 | 3448 | 2586 | 1724 | 1293 | 1034 | 862 |
|  | $I_x = .0130 \text{ in.}^4$ $S_x = .0344 \text{ in.}^3$ | Redi-Rail | 1480 | 987 | 740 | 493 | 370 | 296 | 224 |
|  | $I_x = .0039 \text{ in.}^4$ $S_x = .0134 \text{ in.}^3$ | Steel Series 1 | 981 | 654 | 491 | 327 | 245 | | |
|  | $I_x = .0047 \text{ in.}^4$ $S_x = .0164 \text{ in.}^3$ | Steel Series 1 | | | | | | 230 | 192 |
|  | $I_x = .0353 \text{ in.}^4$ $S_x = .0708 \text{ in.}^3$ | Aluminum Marine Rung | 2996 | 1997 | 1498 | 999 | 749 | 599 | 499 |
|  | $I_x = .0347 \text{ in.}^4$ $S_x = .0685 \text{ in.}^3$ | Steel Marine Rung | 4530 | 3020 | 2265 | 1510 | 1133 | 906 | 755 |

Cable Tray Selection

Corrugated Bottoms (Ventilated and Solid)

| Bottom Type | Design Factors | Material Type | Single Rung Load Capacity (in Lbs.) with safety factor of 1.5 | | | | | | |
|---|--|------------------|---|------|------|-----|-----|-----|-----|
| | | | Tray Width | | | | | | |
| | | | 6 | 9 | 12 | 18 | 24 | 30 | 36 |
|  | $I_x = .0455 \text{ in.}^4$ $S_x = .0898 \text{ in.}^3$ | Aluminum | 3141 | 2029 | 1491 | 970 | 726 | 660 | 594 |
|  | $I_x = .0348 \text{ in.}^4$ $S_x = .0667 \text{ in.}^3$ | Steel | 2973 | 1946 | 1445 | 955 | 711 | 650 | 590 |
|  | $I_x = .0185 \text{ in.}^4$ $S_x = .0503 \text{ in.}^3$ | Series 148 Steel | 2645 | 1763 | 1323 | 881 | 661 | | |

Cable Tray Selection - Strength

Load Capacity

Calculate each anticipated load factor, then add them to obtain a total load.
 (Example: Working Load = Cable + Concentrated + Wind + Snow + Ice Loads).
 The Working Load should be used, along with the maximum support spacing, to select a span/load class designation from Table 3. Table 4 (page 31) contains the most common load/span class designations per the US and Canadian metallic cable tray standard, CSA, C22.2 No. 126.1-98 First Addition, NEMA VE 1-1998.

Table 3 - These Loading Classes Are Historical and Supplied For Reference Only

| Load Class | | Class Designations for lengths of | | | | | | | | | |
|------------|-----|-----------------------------------|------------|----------|------------|----------|------------|----------|------------|----------|------------|
| | | ft 8 | m (2.4) | ft 10 | m (3.0) | ft 12 | m (3.7) | ft 16 | m (4.9) | ft 20 | m (6.0) |
| 25 | 37 | -- | | A | | -- | | -- | | -- | |
| 45 | 67 | -- | | -- | | -- | | -- | | D | |
| 50 | 74 | 8A | | -- | | 12A | | 16A | | 20A | |
| 65 | 97 | -- | | C | | -- | | -- | | -- | |
| 75 | 112 | 8B | | -- | | 12B | | 16B | | E or 20B | |
| 100 | 149 | 8C | | -- | | 12C | | 16C | | 20C | |
| 120 | 179 | -- | | D | | -- | | -- | | -- | |
| 200 | 299 | -- | | E | | -- | | -- | | -- | |

Note: 8A/B/C, 12A/B/C, 16A/B/C, and 20A/B/C were the traditional NEMA designations. A, C, D, and E were the conventional CSA designations. Actual tested loadings per span will be stated on the product labels.

Cable Tray Selection - Strength

Table 4 - B-Line Cable Tray Load Classes

| Aluminum Copper free | | | | | | Steel HDGAF/Pre-Galvanized | | | | | | | | | |
|-------------------------|------------|-------|--------|------|-------|-------------------------------|---------------------|----------|------------|-------|--------|------|-------|----------------|---------------------|
| Series | Load Depth | Load | | Span | | Former Classes | | Series | Load Depth | Load | | Span | | Former Classes | |
| | | lb/ft | (kg/m) | ft | (m) | NEMA | CSA | | | lb/ft | (kg/m) | ft | (m) | NEMA | CSA |
| H14AR | 3 | 86 | (128) | 12 | (3.7) | 12B | D ₁ (3m) | 148* | 3 | 51 | (76) | 12 | (3.7) | 12A | C ₁ (3m) |
| 24A | 3 | 126 | (187) | 12 | (3.7) | 12C | D ₁ (3m) | 248* | 3 | 103 | (153) | 12 | (3.7) | 12C | D ₁ (3m) |
| 34A | 3 | 80 | (119) | 20 | (6.1) | 20B | E (6m) | 346* | 3 | 63 | (94) | 20 | (6.1) | 20A | D ₁ (6m) |
| H15AR | 4 | 102 | (152) | 12 | (3.7) | 12C | D ₁ (3m) | 444* | 3 | 91 | (135) | 20 | (6.1) | 20B | E (3m) |
| 25A | 4 | 50 | (74) | 20 | (6.1) | 16B | D ₁ (6m) | 156* | 4 | 76 | (113) | 12 | (3.7) | 12B | C ₁ (3m) |
| 35A | 4 | 121 | (180) | 16 | (4.9) | 20B | E (3m) | 258* | 4 | 109 | (162) | 12 | (3.7) | 12C | D ₁ (3m) |
| H16AR | 5 | 114 | (170) | 12 | (3.7) | 12C | D ₁ (3m) | 356* | 4 | 69 | (103) | 20 | (6.1) | 16C | D ₁ (6m) |
| 26A | 5 | 51 | (76) | 20 | (6.1) | 20A | D ₁ (6m) | 358* | 4 | 62 | (92) | 20 | (6.1) | 20A | D ₁ (6m) |
| 36A | 5 | 84 | (125) | 20 | (6.1) | 20B | E (6m) | 454* | 4 | 106 | (158) | 20 | (6.1) | 20C | E (6m) |
| 46A | 5 | 103 | (153) | 20 | (6.1) | 20C | E (6m) | 166* | 5 | 77 | (115) | 12 | (3.7) | 12B | C ₁ (3m) |
| H46A | 5 | 167 | (248) | 20 | (6.1) | 167# @ 20' | 131 kg/m (7.6m) | 268* | 5 | 110 | (164) | 12 | (3.7) | 12C | D ₁ (3m) |
| H17AR | 6 | 100 | (149) | 12 | (3.7) | 12B | D ₁ (3m) | 368† | 5 | 59 | (88) | 20 | (6.1) | 20A | D ₁ (3m) |
| 37A | 6 | 80 | (119) | 20 | (6.1) | 20B | | 366* | 5 | 75 | (112) | 20 | (6.1) | 20B | E (6m) |
| 47A | 6 | 100 | (149) | 20 | (6.1) | 20C | | 464* † | 5 | 123 | (183) | 20 | (6.1) | 119# @ 20' | E (6m) |
| H47A | 6 | 149 | (222) | 20 | (6.1) | 149# @ 20' | | 176* | 6 | 86 | (128) | 12 | (3.7) | 12B | 137 kg/m (3.7m) |
| 57A | 6 | 102 | (152) | 30 | (9.1) | 102# @ 30' | 152 kg/m (9.1m) | 378* | 6 | 51 | (76) | 20 | (6.1) | 20A | D ₁ (3m) |
| S8A | 6 | 161 | (240) | 30 | (9.1) | 161# @ 30' | 240 kg/m (9.1m) | 476* | 6 | 77 | (115) | 20 | (6.1) | 20B | D ₁ (6m) |
| Data-Track | All | 120 | (179) | 9.8 | (3.0) | | | 574* | 6 | 130 | (193) | 20 | (6.1) | 117# @ 20' | E (6m) |
| Half Rack | All | 25 | (37) | 9.8 | (3.0) | | | 348† | 3 | 125 | (186) | 12 | (3.7) | 12C | C ₁ (3m) |
| Verti-Rack | All | 100 | (149) | 12 | (3.7) | | | 358† | 4 | 62 | (92) | 20 | (6.1) | 20A | 89 kg/m (6.1m) |
| Multi-Tier | All | 140 | (208) | 10 | (3.1) | | | FT1.5X12 | 1 1/2 | 11 | (16) | 8 | (2.4) | | |
| | | | | | | | | FT2X2 | 2 | 20 | (30) | 8 | (2.4) | | |
| | | | | | | | | FT2X4 | 2 | 27 | (40) | 8 | (2.4) | | |
| | | | | | | | | FT2X6 | 2 | 27 | (40) | 8 | (2.4) | | |
| | | | | | | | | FT2X8 | 2 | 27 | (40) | 8 | (2.4) | | |
| | | | | | | | | FT2X12 | 2 | 27 | (40) | 8 | (2.4) | | |
| | | | | | | | | FT2X16 | 2 | 27 | (40) | 8 | (2.4) | | |
| 13F | 2 | 145 | (216) | 8 | (2.4) | 8C | | FT2X18 | 2 | 27 | (40) | 8 | (2.4) | | |
| 24F | 3 | 156 | (232) | 12 | (3.7) | | | FT2X20 | 2 | 27 | (40) | 8 | (2.4) | | |
| 36F | 5 | 88 | (131) | 20 | (6.1) | | | FT2X24 | 2 | 27 | (40) | 8 | (2.4) | | |
| 46F | 5 | 141 | (210) | 20 | (6.1) | | | FT2X30 | 2 | 27 | (40) | 8 | (2.4) | | |
| H46F | 5 | 152 | (226) | 20 | (6.1) | | | FT2X36 | 2 | 27 | (40) | 8 | (2.4) | | |
| 48F | 7 | 125 | (187) | 20 | (6.1) | | | FT4X4 | 4 | 36 | (53) | 8 | (2.4) | | |
| | | | | | | | | FT4X6 | 4 | 46 | (68) | 8 | (2.4) | | |
| | | | | | | | | FT4X8 | 4 | 47 | (70) | 8 | (2.4) | | |
| | | | | | | | | FT4X12 | 4 | 47 | (70) | 8 | (2.4) | | |
| | | | | | | | | FT4X16 | 4 | 47 | (70) | 8 | (2.4) | | |
| | | | | | | | | FT4X18 | 4 | 47 | (70) | 8 | (2.4) | | |
| | | | | | | | | FT4X20 | 4 | 47 | (70) | 8 | (2.4) | | |
| | | | | | | | | FT4X24 | 4 | 50 | (74) | 8 | (2.4) | 8A | |
| | | | | | | | | FT4X30 | 4 | 50 | (74) | 8 | (2.4) | 8A | |
| | | | | | | | | FT6X8 | 6 | 43 | (64) | 8 | (2.4) | 8A | |
| | | | | | | | | FT6X12 | 6 | 48 | (71) | 8 | (2.4) | 8A | |
| | | | | | | | | FT6X16 | 6 | 50 | (74) | 8 | (2.4) | 8A | |
| | | | | | | | | FT6X18 | 6 | 50 | (74) | 8 | (2.4) | 8A | |
| | | | | | | | | FT6X20 | 6 | 55 | (82) | 8 | (2.4) | 8A | |
| | | | | | | | | FT6X24 | 6 | 60 | (89) | 8 | (2.4) | 8A | |

* G denotes CSA Type 1 (HDGAF) or P denotes CSA Type 2 (Mill-Galvanized)

† SS4 (Type 304 Stainless) or SS6 (Type 316 Stainless)

Cable Tray Selection - Strength

Cable Data

The cable load is simply the total weight of all the cables to be placed in the tray. This load should be expressed in lbs/ft.

The data on this page provides average weights for common cable sizes.

Multiconductor Cable Type TC, 600V with XHHW Conductors, Copper

| Size | 3 conductors with ground | | | 4 conductors with ground | | |
|------|--------------------------|-----------------------|---------------|--------------------------|-----------------------|---------------|
| | Diameter in. | Area in. ² | Weight lbs/ft | Diameter in. | Area in. ² | Weight lbs/ft |
| 8 | 0.66 | 0.34 | 0.33 | 0.72 | 0.41 | 0.42 |
| 6 | 0.74 | 0.43 | 0.45 | 0.81 | 0.52 | 0.58 |
| 4 | 0.88 | 0.61 | 0.66 | 0.96 | 0.72 | 0.84 |
| 2 | 1.00 | 0.79 | 0.96 | 1.10 | 0.95 | 1.20 |
| 1 | 1.13 | 1.00 | 1.17 | 1.25 | 1.23 | 1.55 |
| 1/0 | 1.22 | 1.17 | 1.43 | 1.35 | 1.43 | 1.84 |
| 2/0 | 1.31 | 1.35 | 1.72 | 1.45 | 1.65 | 2.20 |
| 3/0 | 1.42 | 1.58 | 2.14 | 1.58 | 1.96 | 2.80 |
| 4/0 | 1.55 | | 2.64 | 1.77 | | 3.46 |
| 250 | 1.76 | | 3.18 | 1.93 | | 4.04 |
| 350 | 1.98 | | 4.29 | 2.18 | | 5.48 |
| 500 | 2.26 | | 5.94 | 2.50 | | 7.64 |
| 750 | 2.71 | | 9.01 | 3.12 | | 11.40 |
| 1000 | 3.10 | | 11.70 | | | |

Multiconductor Cable Type MC, 600V with XHHW Conductors, Copper

| Size | 3 conductors with ground | | | | | | 4 conductors with ground | | | | | |
|------|--------------------------|-------------|--------------------------|-------------|-----------------|-------------|--------------------------|-------------|--------------------------|-------------|-----------------|-------------|
| | Diameter (in.) | | Area (in. ²) | | Weight (lbs/ft) | | Diameter (in.) | | Area (in. ²) | | Weight (lbs/ft) | |
| | Without Jacket | With Jacket | Without Jacket | With Jacket | Alum. Armor | Steel Armor | Without Jacket | With Jacket | Without Jacket | With Jacket | Alum. Armor | Steel Armor |
| 8 | 0.70 | 0.80 | 0.38 | 0.50 | 0.41 | 0.57 | 0.76 | 0.86 | 0.45 | 0.58 | 0.51 | 0.68 |
| 6 | 0.78 | 0.88 | 0.48 | 0.61 | 0.55 | 0.74 | 0.85 | 0.95 | 0.57 | 0.71 | 0.69 | 0.87 |
| 4 | 0.89 | 0.99 | 0.62 | 0.77 | 0.74 | 0.95 | 0.97 | 1.07 | 0.74 | 0.90 | 0.93 | 1.15 |
| 2 | 1.01 | 1.12 | 0.80 | 0.99 | 1.08 | 1.32 | 1.10 | 1.22 | 0.95 | 1.17 | 1.29 | 1.56 |
| 1 | 1.16 | 1.27 | 1.06 | 1.27 | 1.38 | 1.63 | 1.25 | 1.36 | 1.23 | 1.45 | 1.61 | 1.91 |
| 1/0 | 1.23 | 1.34 | 1.19 | 1.41 | 1.56 | 1.86 | 1.35 | 1.46 | 1.43 | 1.67 | 1.94 | 2.27 |
| 2/0 | 1.32 | 1.43 | 1.37 | 1.61 | 1.85 | 2.20 | 1.46 | 1.56 | 1.67 | 1.91 | 2.36 | 2.72 |
| 3/0 | 1.46 | 1.57 | 1.67 | 1.94 | 2.35 | 2.67 | 1.58 | 1.71 | 1.96 | 2.30 | 2.94 | 3.33 |
| 4/0 | 1.56 | 1.68 | | | 2.82 | 3.21 | 1.75 | 1.88 | | | 3.64 | 3.97 |
| 250 | 1.74 | 1.86 | | | 3.31 | 3.94 | 1.92 | 2.04 | | | 4.21 | 4.64 |
| 350 | 1.96 | 2.10 | | | 4.48 | 4.97 | 2.16 | 2.30 | | | 5.71 | 6.12 |
| 500 | 2.24 | 2.37 | | | 6.08 | 6.58 | 2.47 | 2.63 | | | 7.91 | 8.39 |
| 750 | 2.68 | 2.84 | | | 8.96 | 9.70 | 3.03 | 3.22 | | | 11.48 | 12.17 |

Single Conductor Cable 600V

| Size | XHHW | | | THHN, THWN | | | TW, THW | | | USE, RHH, RHW | | |
|------|--------------|-----------------------|---------------|--------------|-----------------------|---------------|--------------|-----------------------|---------------|---------------|-----------------------|---------------|
| | Diameter in. | Area in. ² | Weight lbs/ft | Diameter in. | Area in. ² | Weight lbs/ft | Diameter in. | Area in. ² | Weight lbs/ft | Diameter in. | Area in. ² | Weight lbs/ft |
| 1/0 | 0.48 | | 0.37 | 0.50 | | 0.37 | 0.53 | | 0.39 | 0.53 | | 0.39 |
| 2/0 | 0.52 | | 0.46 | 0.54 | | 0.46 | 0.57 | | 0.48 | 0.57 | | 0.49 |
| 3/0 | 0.58 | | 0.57 | 0.60 | | 0.57 | 0.62 | | 0.60 | 0.63 | | 0.60 |
| 4/0 | 0.63 | | 0.71 | 0.66 | | 0.71 | 0.68 | | 0.74 | 0.68 | | 0.75 |
| 250 | 0.70 | 0.38 | 0.85 | 0.72 | 0.41 | 0.85 | 0.75 | 0.44 | 0.88 | 0.76 | 0.45 | 0.89 |
| 300 | 0.75 | 0.44 | 1.02 | 0.77 | 0.47 | 1.02 | 0.81 | 0.52 | 1.04 | 0.81 | 0.52 | 1.05 |
| 350 | 0.80 | 0.50 | 1.17 | 0.83 | 0.54 | 1.17 | 0.86 | 0.58 | 1.21 | 0.86 | 0.58 | 1.22 |
| 400 | 0.85 | 0.57 | 1.33 | 0.87 | 0.59 | 1.33 | 0.90 | 0.64 | 1.37 | 0.91 | 0.65 | 1.38 |
| 500 | 0.93 | 0.68 | 1.64 | 0.96 | 0.72 | 1.64 | 0.98 | 0.75 | 1.69 | 0.99 | 0.77 | 1.70 |
| 600 | 1.04 | 0.85 | 2.03 | 1.06 | 0.88 | 2.01 | 1.09 | 0.93 | 2.03 | 1.10 | 0.95 | 2.07 |
| 750 | 1.14 | 1.02 | 2.24 | 1.17 | 1.08 | 2.48 | 1.19 | 1.11 | 2.51 | 1.20 | 1.13 | 2.55 |
| 1000 | 1.29 | | 2.52 | 1.32 | | 3.30 | 1.34 | | 3.31 | 1.35 | | 3.33 |

For allowable cable types see the Appendix page 365.

The following guidelines are based on the 2002 National Electrical Code, Article 392.

I) Number of Multiconductor Cables rated 2000 volts or less in the Cable Tray

(1) 4/0 or Larger Cables

The ladder cable tray must have an inside available width equal to or greater than the sum of the diameters (Sd) of the cables, which must be installed in a single layer. When using solid bottom cable tray, the sum of the cable diameters is not to exceed 90% of the available cable tray width.

Example: Cable Tray width is obtained as follows:

| List Cable Sizes | (D) List Cable Outside Diameter | (N) List Number of Cables | Multiply (D) x (N) = Subtotal of the Sum of the Cable Diameters |
|------------------|---------------------------------------|---------------------------------|---|
| | 3/C - #500 kcmil | 2.26 inches | 1 2.26 inches |
| | 3/C - #250 kcmil | 1.76 inches | 2 3.52 inches |
| | 3/C - #4/0 AWG | 1.55 inches | 4 6.20 inches |

The sum of the diameters (Sd) of all cables = 2.26 + 3.52 + 6.20 = 11.98 inches; therefore a cable tray with an available width of at least 12 inches is required.

Table 5

(2) Cables Smaller Than 4/0

The total sum of the cross-sectional areas of all the cables to be installed in the cable tray must be equal to or less than the allowable cable area for the tray width, as indicated in Table 5.

When using solid bottom cable tray, the allowable cable area is reduced by 22%.

| Inside Width of Cable Tray inches | Allowable Cable Area square inches |
|---|--|
| 6 | 7.0 |
| 9 | 10.5 |
| 12 | 14.0 |
| 18 | 21.0 |
| 24 | 28.0 |

Example: The cable tray width is obtained as follows:

| List Cable Sizes | (A) List Cable Cross Sectional Areas | (N) List Number of Cables | Multiply (A) x (N) + Total of the Cross-Sectional Area for each Size |
|------------------|--|---------------------------------|--|
| 3/C - #12 AWG | 0.167 sq. in. | 10 | 1.67 sq. in. |
| 4/C - #12 AWG | 0.190 sq. in. | 8 | 1.52 sq. in. |
| 3/C - # 6 AWG | 0.430 sq. in. | 6 | 2.58 sq. in. |
| 3/C - # 2 AWG | 0.800 sq. in. | 9 | 7.20 sq. in. |

The sum of the total areas is 1.67 + 1.52 + 2.58 + 7.20 = 12.97 inches.

Using Table 4, a 12-inch wide tray with an allowable cable area of 14 sq. inches should be used.

Note: Increasing the cable tray loading depth does not permit an increase in allowable cable area for power and lighting cables. The maximum allowable cable area for all cable tray with a 3 inch or greater loading depth is limited to the allowable cable area for a 3 inch loading depth.

(3) 4/0 or Larger Cables Installed with Cables Smaller than 4/0

The ladder cable tray needs to be divided into two zones (a barrier or divider is not required but one can be used if desired) so that the No. 4/0 and larger cables have a dedicated zone, as they are to be placed in a single layer.

continued on 34

Cable Tray Selection - Width and Available Loading Depth

Allowable Cable Fill

A direct method to determine the correct cable tray width is to figure the cable tray widths required for each of the cable combinations per steps (2) & (3). Then add the widths in order to select the proper cable tray width.

Example: The cable tray width is obtained as follows:

Part A- Width required for #4/0 AWG and larger multiconductor cables

| List Cable Size | (D) List Cable Outside Diameter | (N) List Number of Cables | Multiply (D) x (N) = Subtotal of the Sum of the Cable Diameters (Sd) |
|------------------|------------------------------------|------------------------------|--|
| 3/C - #500 kcmil | 2.26 inches | 1 | 2.26 inches |
| 3/C - #4/0 AGW | 1.55 inches | 2 | 3.10 inches |

Cable tray width (inches) required for large cables = 2.26 + 3.10 = 5.36 inches.

Part B- Width required for multiconductor cables smaller than #4/0 AWG

| List Cable Sizes | (A) List Cable Cross Sectional Areas | (N) List Number of Cables | Multiply (A) x (N) = Total of the Cross-Sectional Area for each Size |
|------------------|---|------------------------------|--|
| 3/C - #12 AWG | 0.167 sq. in. | 10 | 1.67 sq. in. |
| 3/C - #6 AWG | 0.430 sq. in. | 8 | 3.44 sq. in. |
| 3/C - #2 AWG | 0.800 sq. in. | 2 | 1.60 sq. in. |

The sum of the total areas (inches) = 1.67 + 3.44 + 1.60 = 6.71 sq. inches.

From Table 5 (page 33), the cable tray width required for small cables is 6 inches.

The total cable tray width (inches) = 5.36 + 6.00 = 11.36 inches. A 12-inch wide cable tray is required.

(4) Multiconductor Control and/or Signal Cables Only

A ladder cable tray containing only control and/or signal cables, may have 50% of its total available cable area filled with cable. When using solid bottom cable tray pans, the allowable cable area is reduced from 50% to 40%.

Example: Cable tray width is obtained as follows:

2/C- #16 AWG instrumentation cable cross sectional area = 0.04 sq. in.

Total cross sectional area for 300 Cables = 12.00 sq. in.

Minimum available cable area needed = 12.00 x 2 = 24.00 sq. in.; therefore the cable tray width required for 4 inch available loading depth tray = 24.00/4 = 6 inches.

II) Number of Single Conductor Cables Rated 2000 Volts or Less in the Cable Tray

All single conductor cables to be installed in the cable tray must be 1/0 or larger, and are not to be installed with continuous bottom pans.

(1) 1000 KCMIL or Larger Cables

The sum of the diameters (Sd) for all single conductor cables to be installed shall not exceed the cable tray width. See Table 6.

Table 6

| Inside Width of Cable Tray inches | Allowable Cable Area square inches |
|-----------------------------------|------------------------------------|
| 6 | 6.50 |
| 9 | 9.50 |
| 12 | 13.00 |
| 18 | 19.50 |
| 24 | 26.00 |
| 30 | 32.50 |
| 36 | 39.00 |

Allowable Cable Fill

(2) 250 KCMIL to 1000 KCMIL Cables

The total sum of the cross-sectional areas of all the single conductor cables to be installed in the cable tray must be equal to or less than the allowable cable area for the tray width, as indicated in Table 6 (page 34). (Reference Table 8)

(3) 1000 KCMIL or Larger Cables Installed with Cables Smaller Than 1000 KCMIL

The total sum of the cross-sectional areas of all the single conductor cables to be installed in the cable tray must be equal to or less than the allowable cable area for the tray width, as indicated in Table 7.

(4) Single Conductor Cables 1/0 through 4/0

These single conductors must be installed in a single layer. See Table 8.

Note: It is the opinion of some that this practice may cause problems with unbalanced voltages. To avoid these potential problems, the individual conductors for this type of cable tray wiring system should be bundled with ties. The bundle should contain all of the three-phase conductors for the circuit, plus the neutral if used. The single conductor cables bundle should be firmly tied to the cable tray assembly at least every 6 feet.

Table 7

| Inside Width of Cable Tray inches | Allowable Cable Area square inches |
|-----------------------------------|------------------------------------|
| 6 | 6.50 - (1.1 Sd) |
| 9 | 9.50 - (1.1 Sd) |
| 12 | 13.00 - (1.1 Sd) |
| 18 | 19.50 - (1.1 Sd) |
| 24 | 26.00 - (1.1 Sd) |
| 30 | 32.50 - (1.1 Sd) |
| 36 | 39.00 - (1.1 Sd) |

Table 8

Number of 600 Volt Single Conductor Cables That May Be Installed in Ladder Cable Tray

| Single Conductor Size | Outside Diameter in. | Area sq. in. | Cable Tray Width | | | | |
|-----------------------|----------------------|--------------|------------------|-------|--------|--------|--------|
| | | | 6 in. | 9 in. | 12 in. | 18 in. | 24 in. |
| 1/0 | 0.58 | - | 10 | 15 | 20 | 31 | 41 |
| 2/0 | 0.62 | - | 9 | 14 | 19 | 29 | 38 |
| 3/0 | 0.68 | - | 8 | 13 | 17 | 26 | 35 |
| 4/0 | 0.73 | - | 8 | 12 | 16 | 24 | 32 |
| 250 Kcmil | 0.84 | .55 | 11 | 18 | 24 | 35 | 47 |
| 350 Kcmil | 0.94 | .69 | 9 | 14 | 19 | 28 | 38 |
| 500 Kcmil | 1.07 | .90 | 7 | 11 | 14 | 22 | 29 |
| 750 Kcmil | 1.28 | 1.29 | 5 | 8 | 10 | 15 | 20 |
| 1000 Kcmil | 1.45 | - | 4 | 6 | 8 | 12 | 16 |

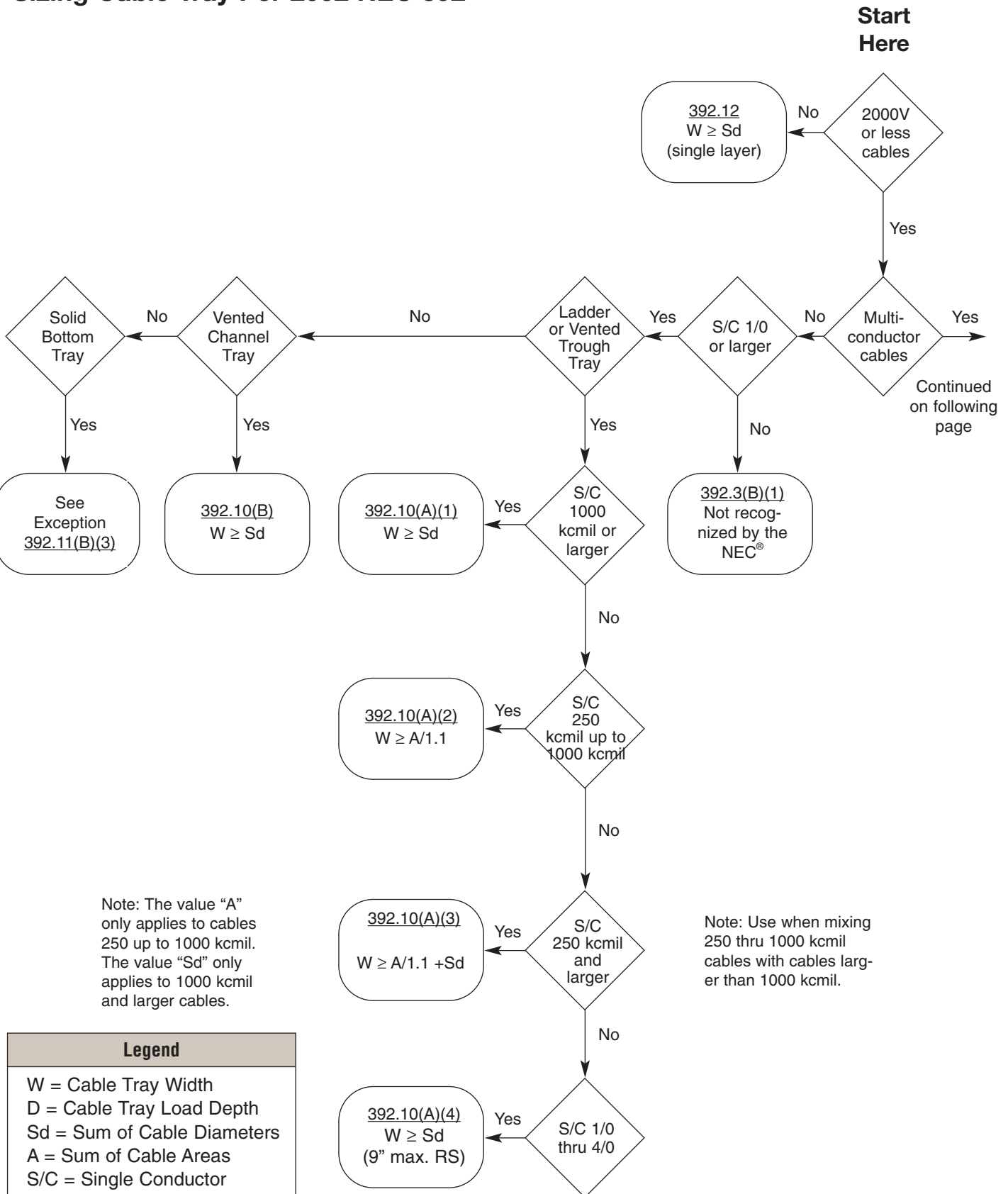
Cable diameters used are those for Oknite-Okolon 600 volt single conductor power cables.

III) Number of Type MV and MC Cables Rated 2001 Volts or Over in the Cable Tray

The sum of the diameters (Sd) of all cables, rated 2001 volts or over, is not to exceed the cable tray width.

Cable Tray Selection - Width and Available Loading Depth

Sizing Cable Tray Per 2002 NEC 392



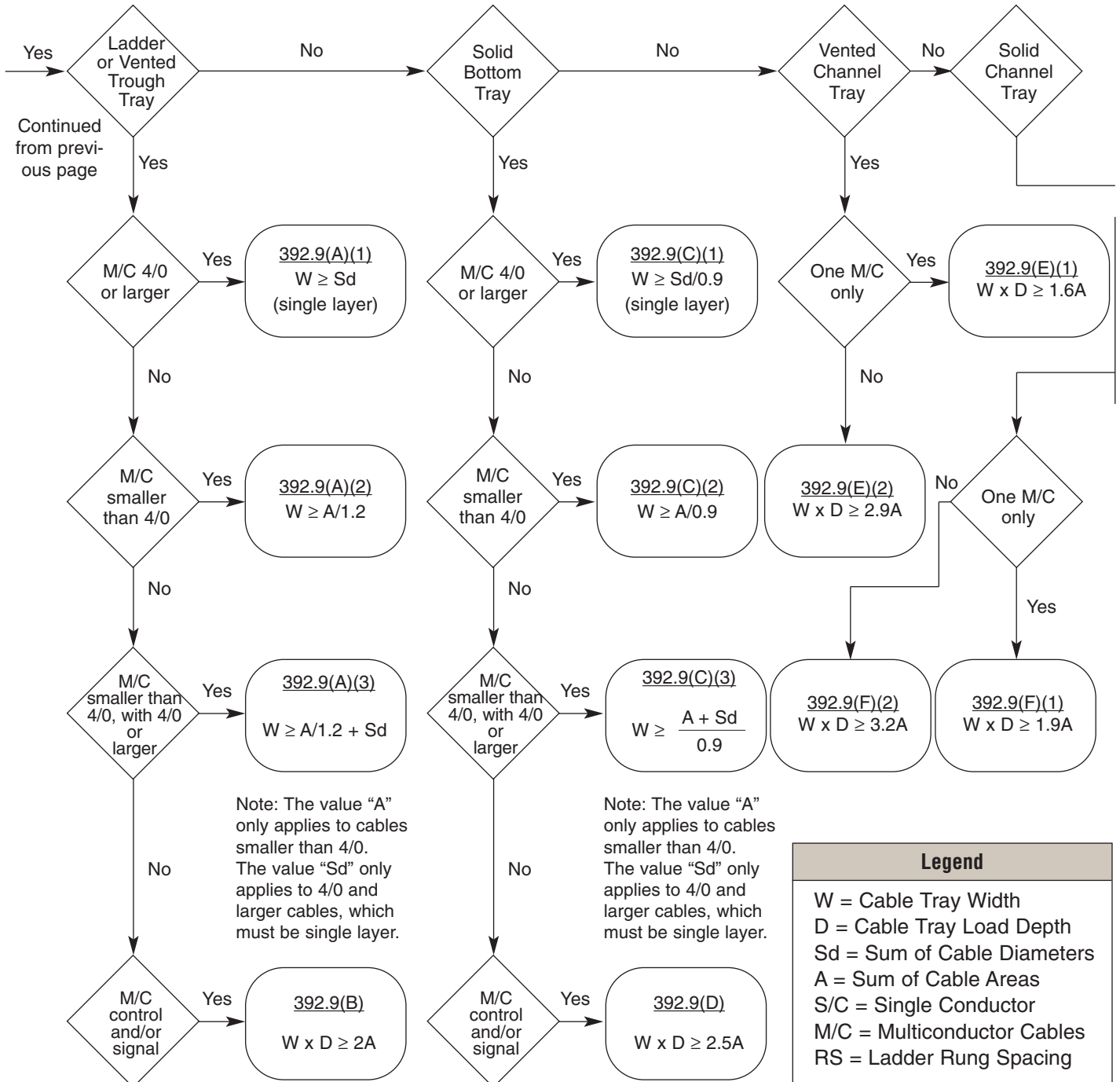
Note: The value "A" only applies to cables 250 up to 1000 kcmil. The value "Sd" only applies to 1000 kcmil and larger cables.

Note: Use when mixing 250 thru 1000 kcmil cables with cables larger than 1000 kcmil.

| Legend |
|-----------------------------|
| W = Cable Tray Width |
| D = Cable Tray Load Depth |
| Sd = Sum of Cable Diameters |
| A = Sum of Cable Areas |
| S/C = Single Conductor |
| M/C = Multiconductor Cables |
| RS = Ladder Rung Spacing |

Cable Tray Selection - Width and Available Loading Depth

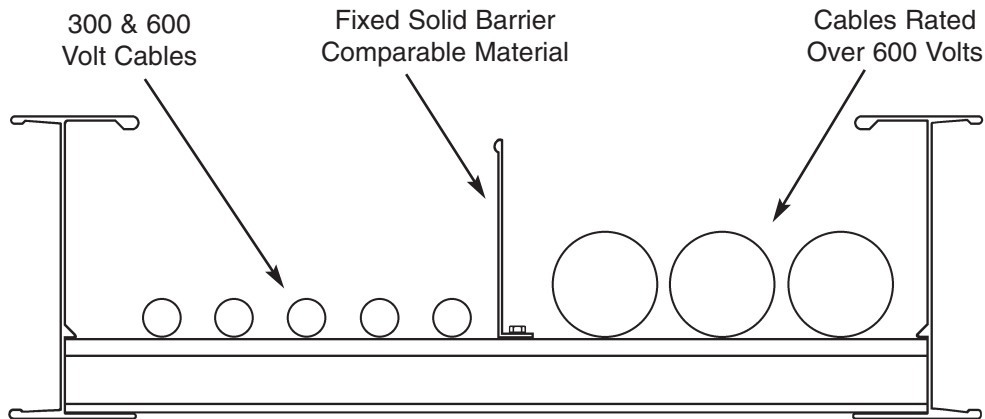
Note: See appendix on page 376 for additional information regarding cable ampacity and hazardous (classified) location requirements which might affect the cable tray sizing flow chart.



Cable Tray Selection

Barrier Requirements

Barrier strips are used to separate cable systems, such as when cables above and below 600 volts per NEC 392.6(F) are installed in the same cable tray. However, when MC type cables rated over 600 volts are installed in the same cable tray with cables rated 600 volts or less, no barriers are required. The barriers should be made of the same material type as the cable tray. When ordering the barrier, the height must match the *loading depth* of the cable tray into which it is being installed.



Future Expansion Requirements

One of the many features of cable tray is the ease of adding cables to an existing system. Future expansion should always be considered when selecting a cable tray, and allowance should be made for additional *fill area* and *load capacity*. A minimum of 50% expansion allowance is recommended.

Space Limitations

Any obstacles which could interfere with a cable tray installation should be considered when selecting a cable tray width and height. Adequate clearances should be allowed for installation of supports and for cable accessibility.

Note: The overall cable tray dimensions typically exceed the nominal tray width and loading depth.

Lengths Available

The current Cable Tray Standard, NEMA VE 1 and C22.2 No. 126.1-98, lists typical lengths as 3000 mm (10 ft), 3660 mm (12 ft), 6000 mm (20 ft), and 7320 mm (24 ft). It is impractical to manufacture either lighter systems in the longer lengths or heavier systems in the shorter lengths. For that reason, Cooper B-Line has introduced a primary and secondary length for each system. These straight section lengths were selected to direct the user to lengths that best suit support span demands and practical loading requirements. The primary length is the one that is the most appropriate for the strength of the system and that will provide the fastest service levels. The secondary lengths will be made available to service additional requirements. Special lengths are available with extended lead times.

For additional information please review the information contained on the Cooper B-Line website at www.cooperbline.com/product/CableTray/LengthSelection.asp.

Support Span

Per the NEMA VE 2, the support span on which a cable tray is installed should not exceed the length of the unspliced straight section. Thus installations with support spans greater than 12 feet should use 240" (20 feet) or 288" (24 feet) cable tray lengths.

Space Limitations

Consideration should be given to the space available for moving the cable tray from delivery to it's final installation location. Obviously, shorter cable tray allows for more maneuverability in tight spaces.

Installation

Shorter cable tray lengths are typically easier to maneuver on the job site during installation. Two people may be needed to manipulate longer cable tray sections, while shorter sections might be handled by one person. Although longer cable tray lengths are more difficult to maneuver, they can reduce installation time due to the fact that there are fewer splice connections. This trade-off should be evaluated for each set of job site restrictions.

Cable Tray Selection - Loading Possibilities

Power Application:

Power application can create the heaviest loading. The heaviest cable combination found was for large diameter cables (i.e. steel armor, 600V, 4 conductor 750 kcmil). The cables weigh less than 3.8 lbs. per inch width of cable tray. As power cables are installed in a single layer, the width of the cable affects the possible loading.

| | | | | | | |
|------------------------|------------------------|-----------------------|-----------------------|-----------------------|----------------------|----------------------|
| 36" Wide 140 lbs/ft | 30" Wide 115 lbs/ft | 24" Wide 90 lbs/ft | 18" Wide 70 lbs/ft | 12" Wide 45 lbs/ft | 9" Wide 35 lbs/ft | 6" Wide 23 lbs/ft |
|------------------------|------------------------|-----------------------|-----------------------|-----------------------|----------------------|----------------------|

Data/Communication Cabling:

Low voltage cables can be stacked as there is no heat generation problems. The NEC employs a calculation of the total cross sectional area of the cables not exceeding 50% of the fill area of the cable tray. As the cable fill area of the cable tray system affects the possible loading, both the loading depth and width of the systems must be considered. For this example 4UTP category 5 cable (O.D. = .21, .026 lbs./ft.) were used.

Calculated Cable Weight in Lbs/Ft

| | 36" Wide | 30" Wide | 24" Wide | 18" Wide | 12" Wide | 9" Wide | 6" Wide |
|---------|----------|----------|----------|----------|----------|---------|---------|
| 6" Fill | 81 | 64 | 52 | 41 | 27 | 20 | 14 |
| 5" Fill | 68 | 53 | 43 | 34 | 23 | 17 | 12 |
| 4" Fill | 54 | 43 | 35 | 27 | 18 | 13 | 9 |
| 3" Fill | 41 | 32 | 26 | 21 | 14 | 10 | 7 |



The picture shows a 12" cable tray with a 3" load depth. The tray contains 520 4 UTP Category 5 cables with a .21" diameter.

The National Electrical Code allows for 50% fill of ventilated and ladder cable tray for control or signal wiring (Article 392.9(B)). ANSI/EIA/TIA 569-A Section 4.5* also requires that the fill ratio of cable tray is not to exceed 50%.

Calculation Example: Tray Area = 12 in. x 3 in. = 36 sq. in.
 50% Fill = 36 sq. in. x .5 = 18 sq. in.
 Cable Area = (.21 in.)² x 3.14/4 = .0346 sq. in.
 Number of Cables = 18 sq. in. / .0346 sq. in. = 520 cables

*Section 4.5 is currently under review.

Other Factors To Consider

- **Support Span** - The distance between the supports affects the loading capabilities exponentially. To calculate loading values not cataloged use:

$$W_1 L_1^2 = W_2 L_2^2$$

W_1 - tested loading
 L_1 - span in feet, a tested span
 W_2 - loading in question
 L_2 - known span for new loading

- **Other Loads** - Ice, wind, snow for outdoor systems see page 26 and 27 for information. A 200 lb. concentrated load for industrial systems. The affect of a concentrated load can be calculated as follows

$$\frac{2 \times (\text{concentrated static load})}{\text{span in feet}}$$

When considering concentrated loads the rung strength should be considered.

- **Length Of The Straight Sections:**

The VE 2, Cable Tray Installation Guide, states that the support span shall not be greater than the straight section length. If a 20C system is manufactured in 12 foot sections the greatest span for supports would be 12 feet. This dramatically affects the loading of the system.

$$W_1 L_1^2 = W_2 L_2^2$$

$$100 (20^2) = W_2 (12^2)$$

$$40,000 = 144 W_2$$

$$W_2 = 277 \text{ lbs. per foot}$$

Cable Tray Selection - Bottom Type

Type of Cable

According to NEC Article 392, multiconductor tray cable may be installed in any standard cable tray bottom type. According to the 2005 NEC Article 392.11(8)(3), single conductor tray cable may be installed in any standard cable tray bottom type. Solid bottom cable trays are not allowed to be installed in Class II, Division 2 locations (2002 NEC Section 502.4(B)). In general, small, highly flexible cables should be installed in solid bottom, vented bottom or 6" rung spacing ladder type cable trays. Sensitive cables (e.g. fiberoptic) are typically installed in flat, solid bottom cable trays, instead of corrugated trough bottoms. Larger, less flexible cables are typically installed in ladder type cable trays having 9" or 12" rung spacing. Ladder type cable trays having 18" rung spacing should be used for large, stiff cables to reduce cost and facilitate cable drop-outs.

Cost vs Strength

Often more than one bottom type is acceptable. In this case the economic difference should be considered. Ladder cable trays have a lower cost than either non-ventilated or ventilated bottom configurations. Typically, the cost of ladder type cable tray decreases as rung spacing increases. However, the effect of rung spacing on load capacity for ladder type cable trays with 18" rung spacing should be evaluated, since NEMA published load capacities are based on 12" rung spacing. Rung spacing can affect individual rung and side rail loading as well as system load capacity. Rung loads applied during cable installation should also be considered. (See page 29 for Cooper B-Line rung load capacities)

Cable Exposure

Tray cables are manufactured to withstand the environment without additional protection, favoring the use of the ladder type cable tray. Some areas may benefit from the limited exposure of solid or vented bottom cable tray. Solid Bottom metal cable tray with solid metal covers can be utilized in other spaces used for environmental air to support non plenum rated tray cables (2002 NEC® 300.22(C)(1))

Cable Attachment

The major advantage of ladder type cable tray is the freedom of entry and exit of the cables. Another advantage of ladder type cable tray is the ability to secure cables in the cable tray. With standard rungs the cables may be attached with either cable ties or cable clamps. The ladder type cable tray is also available with special purpose, slotted marine or strut rungs to facilitate banding or clamping cables. Cable attachment is particularly important on vertical runs or when the tray is installed on its side. Ladder rung spacing should be chosen to provide adequate cable attachment points while allowing the cables to exit the system.

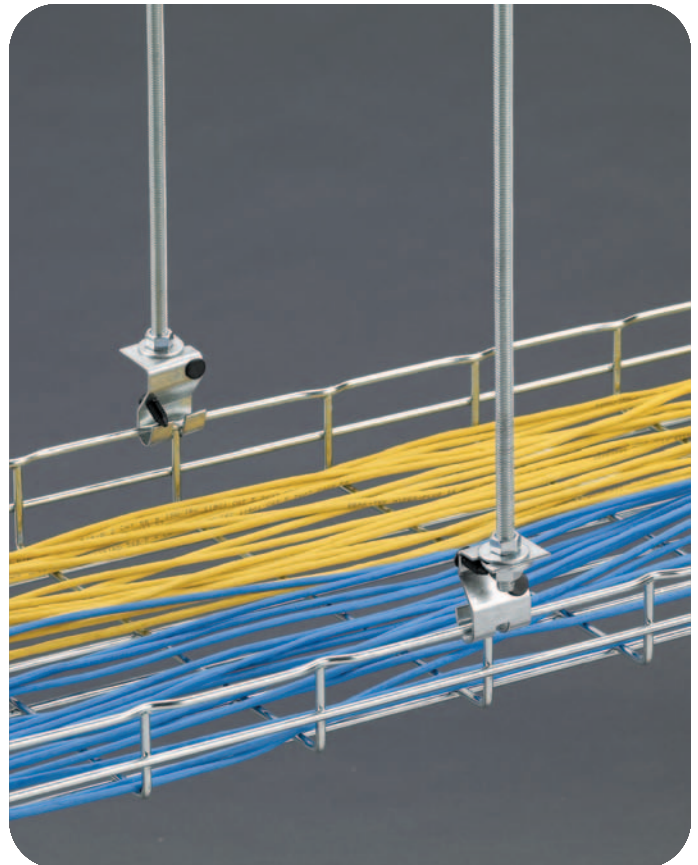
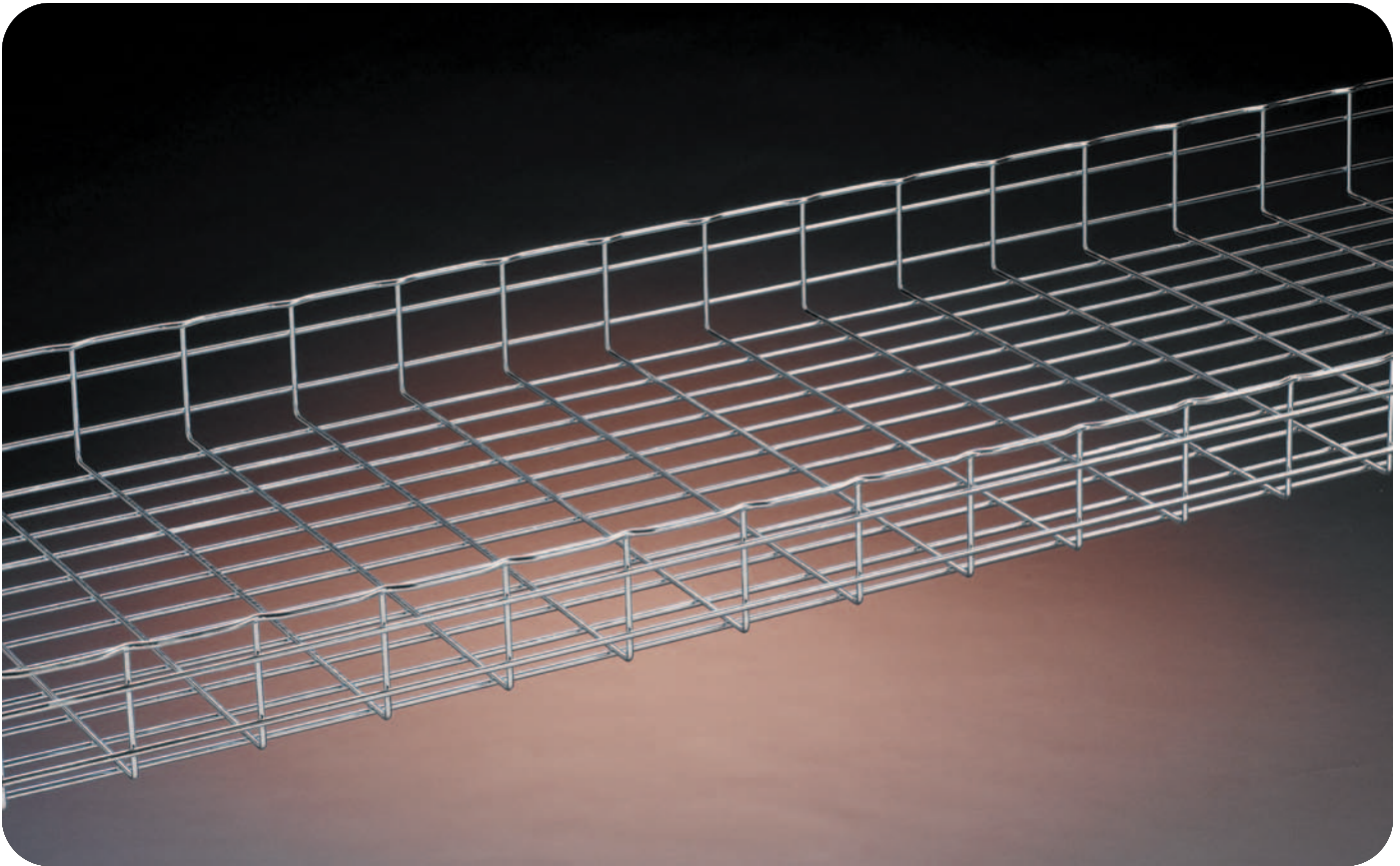
Cable Tray Selection - Fitting Radius

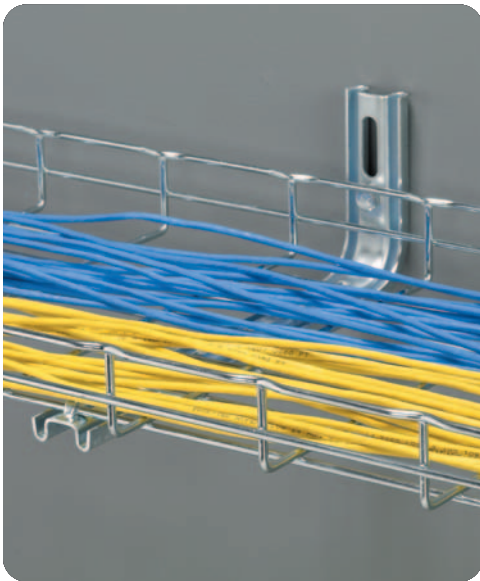
Cable Flexibility

The proper bend radius for cable tray fittings is usually determined by the bend radius and stiffness of the tray cables to be installed. Typically, the tray cable manufacturer will recommend a minimum bend allowance for each cable. The fitting radius should be equal to or larger than the minimum bend radius of the largest cable which may ever be installed in the system. When several cables are to be installed in the same cable tray, a larger bend radius may be desirable to ease cable installation.

Space Limitations

The overall dimensions for a cable tray fitting will increase as the bend radius increases. Size and cost make the smallest acceptable fitting radius most desirable. When large radius fittings are required, the system layout must be designed to allow adequate space.





Flextray

Flextray is a flexible, field-adaptable way to manage cables throughout your project. The tray itself can be cut and bent to the needs of the installer on the jobsite, allowing cable runs to be adjusted as needed. The wide range of sizes offered by Cooper B-Line makes Flextray a great choice for everything from a small cable drop to a large trunk of cables. Our tray has the market-preferred "T" weld safety edge, protecting both the cable and the installer during cable installation. Flextray is also UL Classified as an equipment grounding conductor.

The F.A.S.T. System is Foldable, Adjustable, Stackable, and Tool-less, providing many options to manage cables inside your raised floor space. With only a few parts, you can create everything from a basic single layer installation to a cantilevered, multiple-tier cable run. Make the most of your raised floor space and your time with the F.A.S.T. System!

Finish Information

Flextray Cable Tray and Accessories are available in a wide variety of finishes to meet the environmental or aesthetic requirements of customer installations. Use the list below to find the finish and suffix that will meet your needs.

Available product finishes will be listed on individual pages throughout the catalog.

Finish codes shown in bold type are the standard for that product.

EG Electroplated Zinc Galvanized Finish applied after fabrication
(ZN) Recommended applications: Controlled interior
UL/CSA Classified as an equipment ground conductor when spliced as recommended
ASTM B633 - Average thickness of 0.3 mils (8 microns)

GS Pre-Galvanized Zinc Finish applied before fabrication
(GLV) Recommended applications: Limited industrial & interior
UL/CSA Classified as an equipment ground conductor when spliced as recommended
ASTM A641

BLE Black Powder Coat Finish applied after fabrication
(FB) Recommended applications: Controlled interior
UL/CSA Classified as an equipment ground conductor when coating has been removed at splice contact points
Average paint thickness of 1.2 mils (30 microns) to 3.0 mils (75 microns)

BLO Black Oxide Finish
Recommended applications: Controlled interior
ASTM D769

HD Hot Dip Galvanized Finish applied after fabrication
(HDG) Recommended applications: Exterior, corrosive
UL/CSA Classified as an equipment ground conductor when spliced as recommended
ASTM A123 - Average thickness of 2.4 mils (60 microns) to 3.2 mils (80 microns)

304S 304L Stainless Steel
(SS4) Recommended applications: Food preparation, wash-down areas
ASTM A580

316S 316L Stainless Steel
(SS6) Recommended applications: Highly corrosive applications & marine environments
ASTM A580

Custom Powder Coat Finish applied after fabrication
Recommended applications: Controlled interior
UL/CSA Classified as an equipment ground conductor when coating has been removed at splice contact points
No Specification

Grounding Information

Statement for all UL Classified products:



This product is classified by Underwriters Laboratories, Inc. as to its suitability as an equipment grounding conductor only. 556E



Most sizes of FLEXTRAY are UL Classified to serve as an Equipment Ground Conductor. The ground path can be achieved in one of two ways listed on page 45:

Grounding Information (cont.)

1. Use the recommended quantity of UL Classified splices to connect sections and at places where the tray is cut.
2. Run an appropriately sized ground wire alongside the tray and attach it to each tray section and on both sides of a cut in the tray. (This method is recommended by NEMA VE-2 Installation Manual.)

Load & Fill Chart

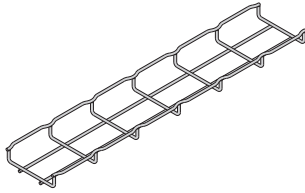
| Flextray Series Part Number | Size height x width | Support Span / Loading Capacity* | | | | Cable Fill (50% fill)** | | |
|-----------------------------------|------------------------|----------------------------------|-------|-------|-------|---|-------------------------------|------------------------------|
| | | Lbs/Ft (max) | | | | Actual Area Inside Tray (in ²) | Number of CAT 5e Cables*** | Number of CAT 6 Cables*** |
| | | 5'-0" | 6'-0" | 7'-0" | 8'-0" | | | |
| FT1.5X12 | 1 1/2" x 12" | 29 | 17 | 14 | 11 | 12.2 | 176 | 124 |
| FT2X2 | 2" x 2" | 34 | 28 | 24 | 20 | 4.3 | 61 | 43 |
| FT2X4 | 2" x 4" | 52 | 43 | 35 | 27 | 8.2 | 118 | 83 |
| FT2X6 | 2" x 6" | 66 | 47 | 35 | 27 | 12.1 | 175 | 123 |
| FT2X8 | 2" x 8" | 66 | 47 | 35 | 27 | 16.1 | 231 | 163 |
| FT2X12 | 2" x 12" | 68 | 47 | 35 | 27 | 23.9 | 345 | 243 |
| FT2X16 | 2" x 16" | 68 | 47 | 35 | 27 | 31.8 | 459 | 324 |
| FT2X18 | 2" x 18" | 68 | 47 | 35 | 27 | 35.8 | 516 | 364 |
| FT2X20 | 2" x 20" | 68 | 47 | 35 | 27 | 39.7 | 573 | 404 |
| FT2X24 | 2" x 24" | 68 | 47 | 35 | 27 | 47.5 | 686 | 484 |
| FT2X30 | 2" x 30" | 68 | 47 | 35 | 27 | 59.8 | 862 | 608 |
| FT2X32 | 2" x 32" | 77 | 53 | 39 | 30 | 63.3 | 914 | 645 |
| FT4X4 | 4" x 4" | 58 | 49 | 42 | 36 | 15.8 | 227 | 160 |
| FT4X6 | 4" x 6" | 93 | 77 | 60 | 46 | 23.6 | 341 | 240 |
| FT4X8 | 4" x 8" | 94 | 78 | 61 | 47 | 31.5 | 454 | 321 |
| FT4X12 | 4" x 12" | 119 | 83 | 61 | 47 | 47.5 | 686 | 484 |
| FT4X16 | 4" x 16" | 119 | 83 | 61 | 47 | 63.5 | 917 | 647 |
| FT4X18 | 4" x 18" | 119 | 83 | 61 | 47 | 71.5 | 1032 | 728 |
| FT4X20 | 4" x 20" | 119 | 83 | 61 | 47 | 79.5 | 1148 | 810 |
| FT4X24 | 4" x 24" | 128 | 89 | 65 | 50 | 95.5 | 1379 | 973 |
| FT4X30 | 4" x 30" | 128 | 89 | 65 | 50 | 119.5 | 1725 | 1217 |
| FT6X8 | 6" x 8" | 111 | 77 | 57 | 43 | 47.3 | 682 | 481 |
| FT6X12 | 6" x 12" | 124 | 86 | 63 | 48 | 71.6 | 1034 | 729 |
| FT6X16 | 6" x 16" | 128 | 89 | 65 | 50 | 95.3 | 1375 | 970 |
| FT6X18 | 6" x 18" | 128 | 89 | 65 | 50 | 107.3 | 1549 | 1092 |
| FT6X20 | 6" x 20" | 141 | 98 | 72 | 55 | 118.9 | 1716 | 1211 |
| FT6X24 | 6" x 24" | 154 | 107 | 78 | 60 | 143.3 | 2068 | 1459 |

* Published load chart has not been tested with Flexmate splice. Please consult the factory for load information when using the Flexmate option.

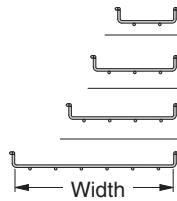
** Flextray fill capacity is based on NEC allowable fill of 50%. The NEC rule requires that the cable cross-sectional areas together may not exceed 50% of the tray area (width x depth = fill). Cables will nearly completely fill the cable tray when reaching the 50% cable fill, due to empty space between the surface of the cables. TIA recommends 40% fill ratio. Flextray loads shown in the loading chart will not be exceeded at 50% fill.

*** CAT 5e 4-pr non-plenum approximated at .21 in. diameter, CAT 6 4-pr non-plenum approximated at .25 in. diameter. Actual diameters vary by cable manufacturer.

1.5" Deep Flextray



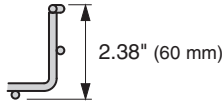
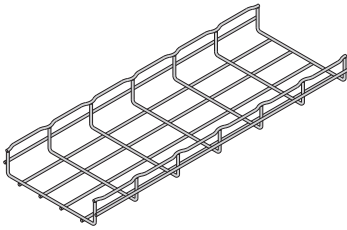
Height: 1.38" (35 mm)
Length: 118.312" (3 meter)
Wire Dia. Minimum: .196" (5.0 mm)
Finishes:
EG, GS, BLE, HD, 304S, 316S



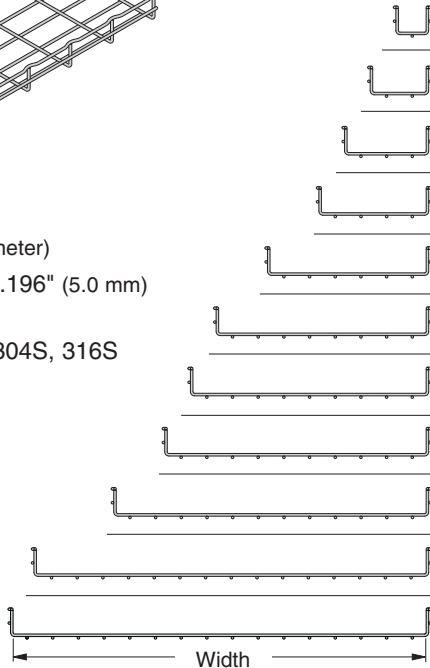
| Part Number | Width | | Wt. Per Pc. | |
|-------------|-------|-----|-------------|------|
| | in. | mm | lbs. | kg |
| FT1.5X4X10 | 4 | 100 | 5.8 | 2.63 |
| FT1.5X6X10 | 6 | 150 | 7.4 | 3.35 |
| FT1.5X8X10 | 8 | 200 | 9.0 | 4.08 |
| FT1.5X12X10 | 12 | 300 | 12.1 | 5.49 |

Only FT1.5X12 (12" wide) is UL Classified

2" Deep Flextray



Height: 2.38" (60 mm)
Length: 118.312" (3 meter)
Wire Dia. Minimum: .196" (5.0 mm)
Finishes:
EG, GS, BLE, HD, 304S, 316S



| Part Number | Width | | Wt. Per Pc. | |
|-------------|-------|-----|-------------|-------|
| | in. | mm | lbs. | kg |
| FT2X2X10 | 2 | 50 | 6.6 | 2.99 |
| FT2X4X10 | 4 | 100 | 8.2 | 3.72 |
| FT2X6X10 | 6 | 150 | 9.7 | 4.40 |
| FT2X8X10 | 8 | 200 | 11.2 | 5.08 |
| FT2X12X10 | 12 | 300 | 14.3 | 6.48 |
| FT2X16X10 | 16 | 400 | 17.4 | 7.89 |
| FT2X18X10 | 18 | 450 | 18.9 | 8.57 |
| FT2X20X10 | 20 | 500 | 20.4 | 9.25 |
| FT2X24X10 | 24 | 600 | 23.5 | 10.66 |
| FT2X30X10 | 30 | 750 | 28.1 | 12.74 |
| FT2X32X10 | 32 | 800 | 29.7 | 13.47 |

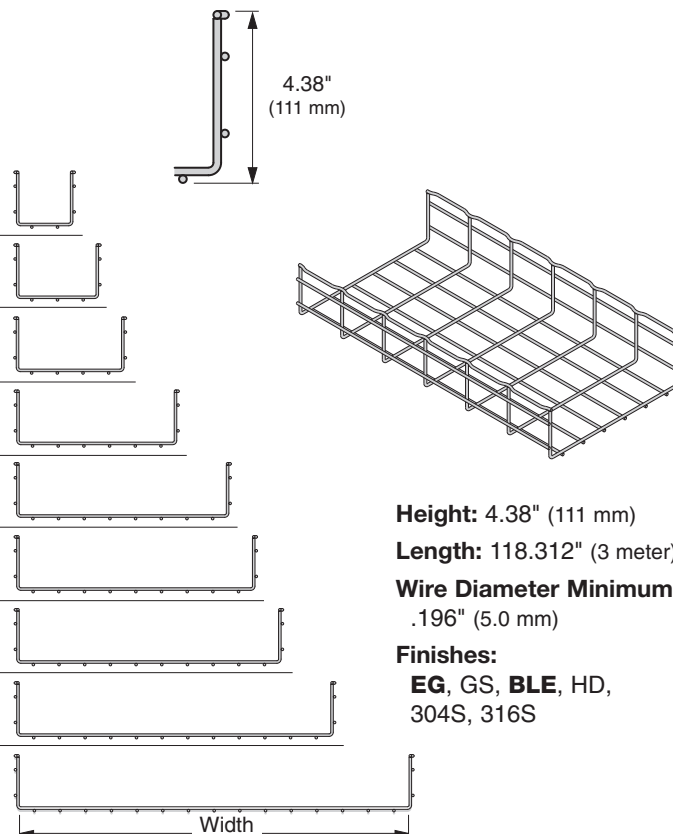
FT2X6 (6" wide) through FT2X32 (32" wide) are UL Classified

See page - 44 for finish information

4" Deep Flextray

| Part Number | Width | | Wt. Per Pc. | |
|-------------|-------|-----|-------------|-------|
| | in. | mm | lbs. | kg |
| FT4X4X10 | 4 | 100 | 11.25 | 5.10 |
| FT4X6X10 | 6 | 150 | 12.79 | 5.80 |
| FT4X8X10 | 8 | 200 | 14.32 | 6.49 |
| FT4X12X10 | 12 | 300 | 17.39 | 7.89 |
| FT4X16X10 | 16 | 400 | 20.45 | 9.27 |
| FT4X18X10 | 18 | 450 | 21.99 | 9.97 |
| FT4X20X10 | 20 | 500 | 23.52 | 10.67 |
| FT4X24X10 | 24 | 600 | 26.59 | 12.06 |
| FT4X30X10 | 30 | 750 | 31.19 | 14.15 |

All 4" deep Flextrays are UL Classified

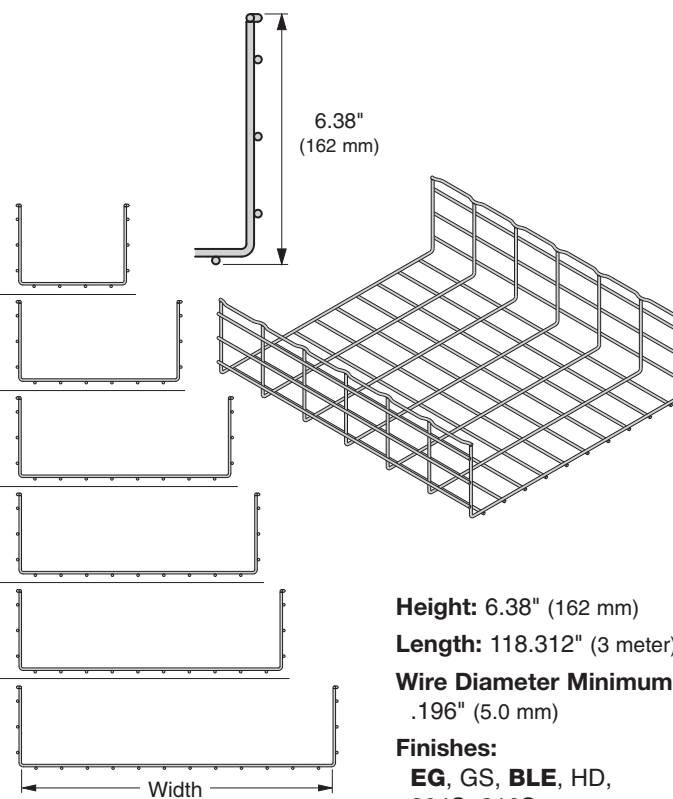


Height: 4.38" (111 mm)
Length: 118.312" (3 meter)
Wire Diameter Minimum:
 .196" (5.0 mm)
Finishes:
EG, GS, BLE, HD,
304S, 316S

6" Deep Flextray

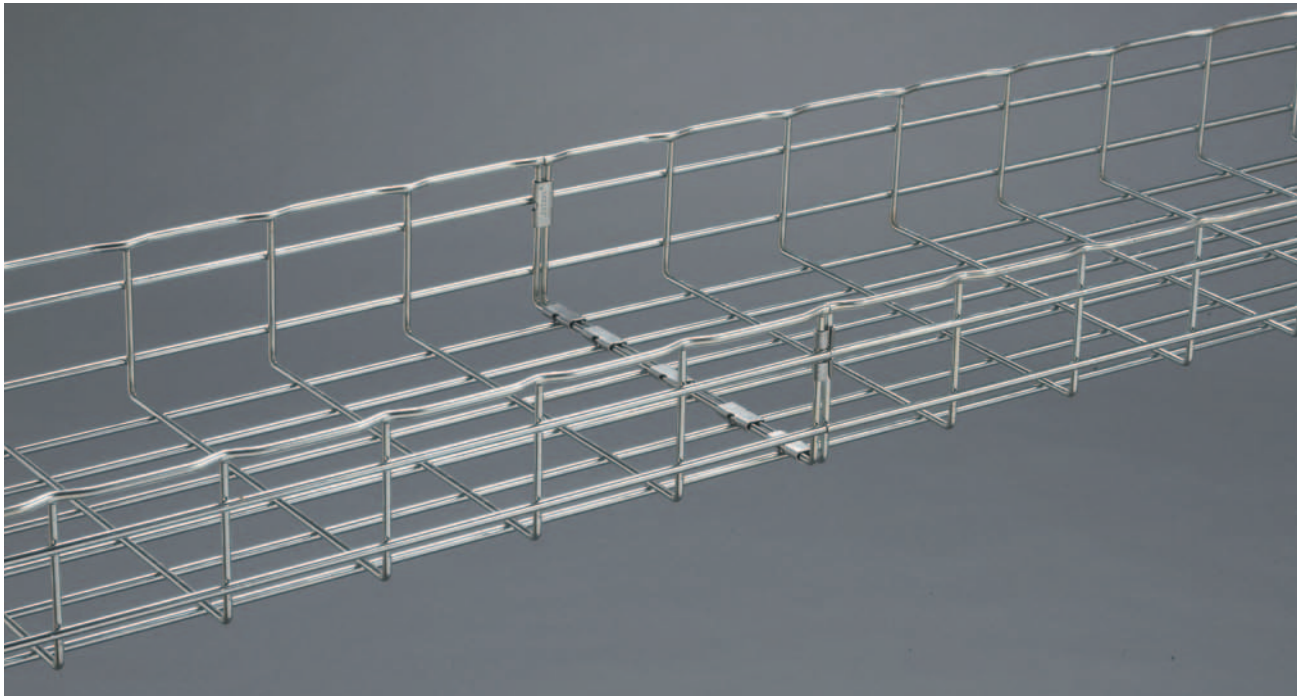
| Part Number | Width | | Wt. Per Pc. | |
|-------------|-------|-----|-------------|-------|
| | in. | mm | lbs. | kg |
| FT6X8X10 | 8 | 200 | 17.39 | 7.89 |
| FT6X12X10 | 12 | 300 | 20.45 | 9.27 |
| FT6X16X10 | 16 | 400 | 23.52 | 10.67 |
| FT6X18X10 | 18 | 450 | 25.06 | 11.37 |
| FT6X20X10 | 20 | 500 | 26.59 | 12.06 |
| FT6X24X10 | 24 | 600 | 29.66 | 13.45 |

All 6" deep Flextrays are UL Classified



Height: 6.38" (162 mm)
Length: 118.312" (3 meter)
Wire Diameter Minimum:
 .196" (5.0 mm)
Finishes:
EG, GS, BLE, HD,
304S, 316S

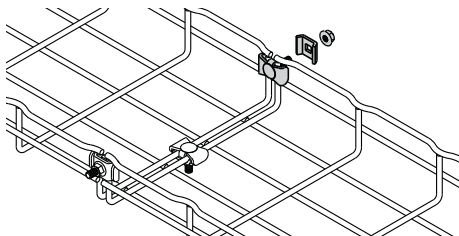
See page 44 for finish information



Washer Splice Kit

- Washer is staked to bolt, holding part stationary during installation
- Fewer parts to handle
- For use with all tray widths and sizes
- Finishes __: **EG, BLE**

BLE suffix indicates black zinc finish for this part only



| Part Number | Description | Qty./Box | Wt./Box | |
|-------------------------|--|----------|---------|------|
| | | | lbs. | kg |
| WASHER SPL KIT__ | Assembly of Staked Washer Stud/Washer & Finned Nut | 50 | 4.5 | 2.04 |

Splicing Chart (number of splices required for UL Classification)

| Tray Height | Tray Width - number of splices | | | | | | | | |
|-------------|--------------------------------|------------|------------|------------|-------------|-------------|-------------|-------------|-------------|
| | 2" (50mm) | 4" (100mm) | 6" (150mm) | 8" (200mm) | 12" (300mm) | 16" (400mm) | 18" (450mm) | 20" (500mm) | 24" (600mm) |
| 2" | NC | NC | 4 | 4 | 4 | 4 | 4 | 5 | 5 |
| 4" | NM | 4 | 5 | 6 | 6 | 7 | 7 | 7 | 8 |
| 6" | NM | NM | NM | 6 | 6 | 7 | 7 | 7 | 8 |

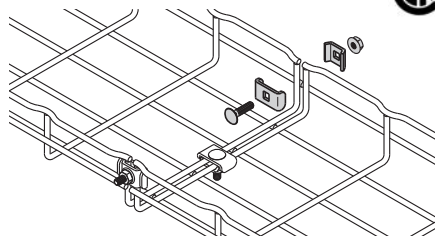
NC = Not UL Classified in this size NM = Flextray is not manufactured in this size

Splice Hardware Components

- Works with all splicing needs
- For use with all tray widths and sizes
- Components are sold separately
- Finishes __: **EG, BLE-BLO, 304S, 316S**

FTHDWE 1/4 not available in **BLE**.

TOP WASHER & BTM WASHER not available in **BLO**.



| Part Number | Description | Qty./Box | Wt./Box | |
|---------------------|--------------------------------------|----------|---------|------|
| | | | lbs. | kg |
| FTHDWE 1/4__ | 1/4" x 1" Carriage Bolt & Finned nut | 50 | 1.2 | 0.54 |
| TOP WASHER__ | 1" Square Splice Washer | 50 | 1.4 | 0.63 |
| BTM WASHER__ | 1 3/16" Square Splice Washer | 50 | 2.0 | 0.91 |



BTM WASHER



FTHDWE1/4



TOP WASHER

Splicing Chart (number of splices required for UL Classification)

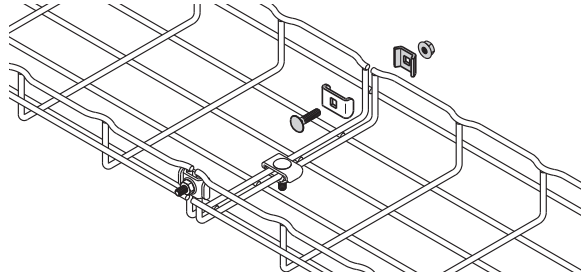
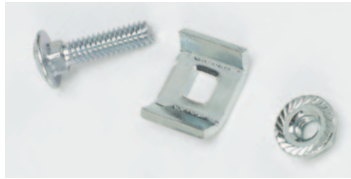
| Tray Height | Tray Width - number of splices | | | | | | | | |
|-------------|--------------------------------|------------|------------|------------|-------------|-------------|-------------|-------------|-------------|
| | 2" (50mm) | 4" (100mm) | 6" (150mm) | 8" (200mm) | 12" (300mm) | 16" (400mm) | 18" (450mm) | 20" (500mm) | 24" (600mm) |
| 2" | NC | NC | 4 | 4 | 4 | 4 | 4 | 5 | 5 |
| 4" | NM | 4 | 5 | 6 | 6 | 7 | 7 | 7 | 8 |
| 6" | NM | NM | NM | 6 | 6 | 7 | 7 | 7 | 8 |

NC = Not UL Classified in this size NM = Flextray is not manufactured in this size

See page 44 for finish and grounding information

Connecting Hardware

| Part Number | Description | Qty./Box | Wt./Box | |
|-------------|---------------------|----------|---------|------|
| | | | lbs. | kg |
| FTSCH__ | Connecting Hardware | 50 | 2.0 | 0.91 |



- Adaptable and designed for use with splice plate (FTS3SP), SPLICE BAR, and long splice bar (FTS36SB).
- Finishes __: **EG, BLE-BLO, 304S, 316S**

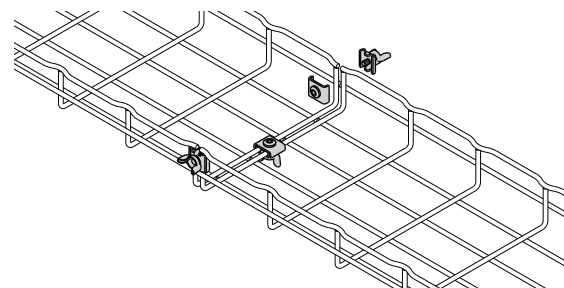
Splicing Chart (number of splices required for UL Classification)

| Tray Height | Tray Width - number of splices | | | | | | | | |
|-------------|--------------------------------|---------------|---------------|---------------|----------------|----------------|----------------|----------------|----------------|
| | 2" (50mm) | 4" (100mm) | 6" (150mm) | 8" (200mm) | 12" (300mm) | 16" (400mm) | 18" (450mm) | 20" (500mm) | 24" (600mm) |
| 2" | NC | NC | 4 | 4 | 4 | 4 | 4 | 5 | 5 |
| 4" | NM | 4 | 5 | 6 | 6 | 7 | 7 | 7 | 8 |
| 6" | NM | NM | NM | 6 | 6 | 7 | 7 | 7 | 8 |

NC = Not UL Classified in this size NM = Flextray is not manufactured in this size

Wing Splice™

| Part Number | Description | Qty./Box | Wt./Box | |
|-------------|-------------|----------|---------|------|
| | | | lbs. | kg |
| FTSWN__ | Wing Splice | 50 | 3.0 | 1.38 |



- Two piece design for easy handling
- Tool-less installation
- Reduces installation time, especially when used on fittings and bends
- Finish__: **ZN**

Splicing Chart (number of splices required for UL Classification)

| Tray Height | Tray Width - number of splices | | | | | | | | |
|-------------|--------------------------------|---------------|---------------|---------------|----------------|----------------|----------------|----------------|----------------|
| | 2" (50mm) | 4" (100mm) | 6" (150mm) | 8" (200mm) | 12" (300mm) | 16" (400mm) | 18" (450mm) | 20" (500mm) | 24" (600mm) |
| 2" | NC | NC | 4 | 4 | 4 | 4 | 4 | 5 | 5 |
| 4" | NM | 4 | 5 | 6 | 6 | 7 | 7 | 7 | 8 |
| 6" | NM | NM | NM | 6 | 6 | 7 | 7 | 7 | 8 |

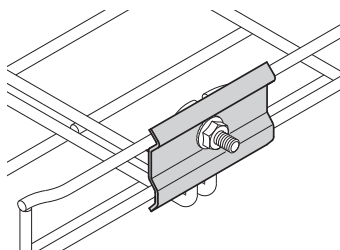
NC = Not UL Classified in this size NM = Flextray is not manufactured in this size

See page 44 for finish and grounding information

Splice Plate (only)

| Part Number | Description | Length | Height | Hole Diameter | Qty./Box | Wt./Box | |
|-----------------|--------------|--------|--------|---------------|----------|---------|------|
| | | | | | | lbs. | kg |
| FTS3SP__ | Splice Plate | 2.7" | 1.6" | 0.27" | 50 | 6.1 | 2.76 |

- Splice plate is designed for use with connecting hardware (FTSCH) to provide added stability of splice connections
- Hardware sold separately
- Finish__: **ZN**, SS6



Flexmate™ Splice System

- Fastest splice connection method available in the industry
- For use with 4" (100mm) to 12" (300mm) wide tray
- Flexmate clips and tool sold separately
- Finishes __: **GS**, BLE

Note: Please contact Cooper B-Line when using Flexmates on tray widths larger than 12" (300mm) for specific requirements. Cooper B-Line recommends that splice/supports comply with NEMA VE-2 installation requirements

| Part Number | Description | Qty./Box | Wt./Box | |
|----------------------|-----------------------|----------|---------|------|
| | | | lbs. | kg |
| FLEXMATE2__ | Flexmate Splice Clips | 50 | 1.0 | 0.45 |
| FLEXMATE TOOL | Flexmate Splice Tool | 1 | 0.7 | 0.32 |

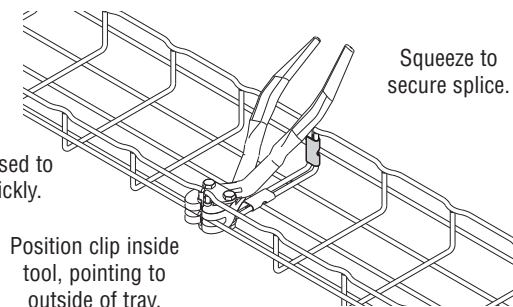


FLEXMATE2



FLEXMATE TOOL

Flexmate Tool is used to install splices quickly.



Squeeze to secure splice.

Position clip inside tool, pointing to outside of tray.

Splicing Chart (number of splices required for UL Classification)

| Tray Height | Tray Width - number of splices | | | | |
|-------------|--------------------------------|---------------|---------------|---------------|----------------|
| | 2" (50mm) | 4" (100mm) | 6" (150mm) | 8" (200mm) | 12" (300mm) |
| 2" | NC | NC | 5 | 5 | 5 |
| 4" | NM | 5 | 6 | 7 | 7 |
| 6" | NM | NM | NM | 7 | 7 |

NC = Not UL Classified in this size

NM = Flextray is not manufactured in this size

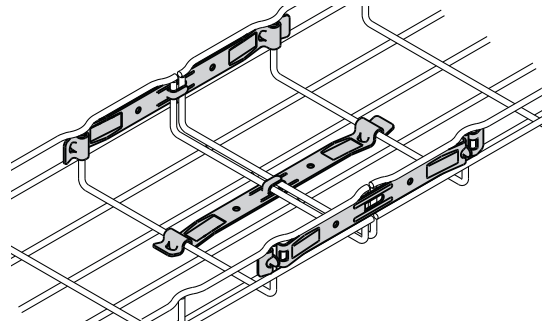
See page 44 for finish and grounding information

Tab-Loc Connector

| Part Number | Description | Length | Qty./Box lbs. | Wt./Box kg | |
|-------------|--------------------|--------|---------------|------------|------|
| FTSTLC__ | Tab-Loc Connectors | 9.29" | 50 | 7.2 | 3.26 |



- Fast splice for straight runs of tray
- For use with 2" (50mm) to 32" (800mm) wide tray to connect straight sections only
- Finishes __: **ZN**, SS6



Application Requirements

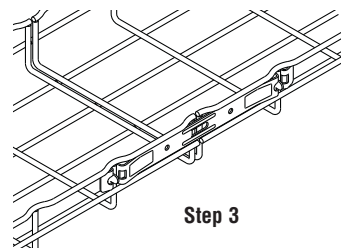
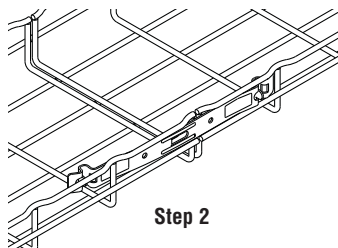
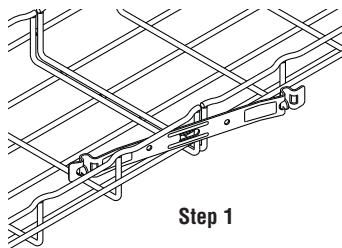
The recommendations listed are equal for all depths (except as noted).

Splicing Chart (number of splices required for UL Classification)

| Tray Height | Tray Width - number of splices | | | | | | | | |
|-------------|--------------------------------|------------|------------|------------|-------------|-------------|-------------|-------------|-------------|
| | 2" (50mm) | 4" (100mm) | 6" (150mm) | 8" (200mm) | 12" (300mm) | 16" (400mm) | 18" (450mm) | 20" (500mm) | 24" (600mm) |
| 2" | NC | NC | 4 | 4 | 4 | 4 | 4 | 5 | 5 |
| 4" | NM | 4 | 5 | 6 | 6 | 7 | 7 | 7 | 8 |
| 6" | NM | NM | NM | 6 | 6 | 7 | 7 | 7 | 8 |

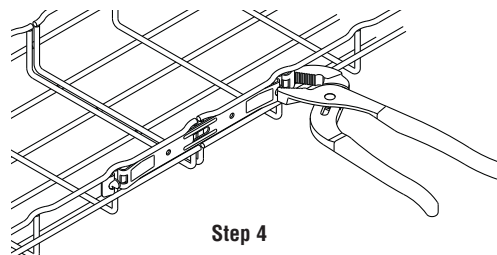
NC = Not UL Classified in this size NM = Flextray is not manufactured in this size

Installation



Tab-Loc security without special tools.

Screwdriver can also be used to bend tab-locs (hold connector ends while bending).

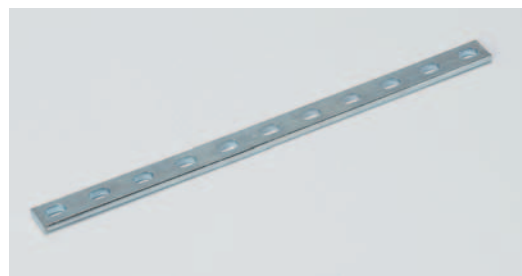
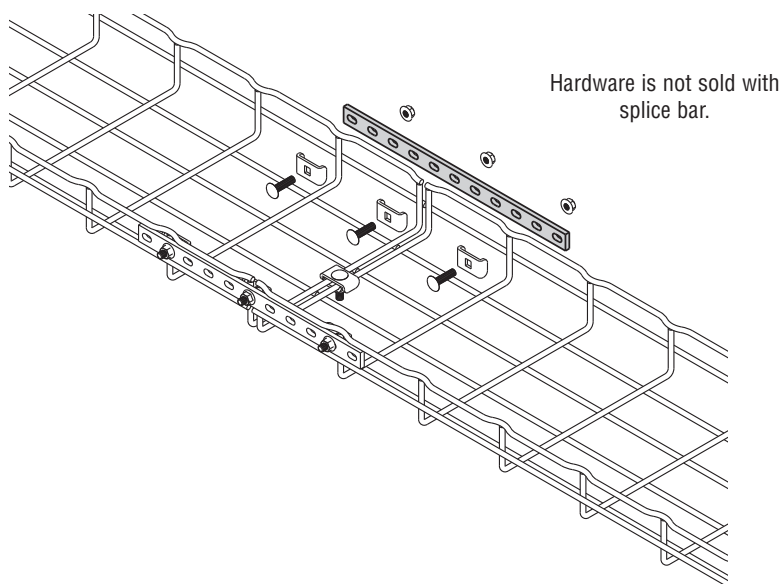


See page 44 for finish and grounding information

Splice Bar

- Adds rigidity to washer splice methods
- Used on side rails only (not for use in tray bottom)
- For use on trays when using splice hardware FTSCH
- Hardware sold separately
- Finishes __: **EG**, BLE, HD, 304S, 316S

| Part Number | Description | Qty./Box | Wt./Box | |
|----------------------|---|----------|---------|------|
| | | | lbs. | kg |
| SPLICE BAR __ | 10 ¹³ / ₁₆ " Long Bar | 50 | 14.0 | 6.35 |



Each splice bar requires three (3) each of Hardware Splice Components - TOP WASHER, and FTHDWE 1/4 to complete connection. These items must be ordered separately.

Washer Splice Kits (WASHER SPL KIT) are required for connections on bottom of tray.

Splicing Chart (number of splices required for UL Classification)

| Tray Height | Tray Width - number of splices | | | | | | | | |
|-------------|--------------------------------|---------------|---------------|---------------|----------------|----------------|----------------|----------------|----------------|
| | 2" (50mm) | 4" (100mm) | 6" (150mm) | 8" (200mm) | 12" (300mm) | 16" (400mm) | 18" (450mm) | 20" (500mm) | 24" (600mm) |
| 2" | NC | NC | 2 | 2 | 2 | 2 | 2 | 2 | 2 |
| 4" | NM | 4 | 4 | 4 | 4 | 4 | 4 | 4 | 4 |
| 6" | NM | NM | NM | 4 | 4 | 4 | 4 | 4 | 4 |

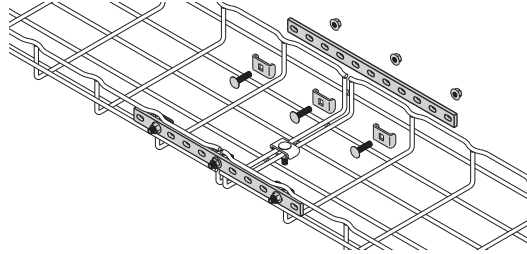
NC = Not UL Classified in this size NM = Flextray is not manufactured in this size

See page 44 for finish and grounding information

Splice Bar Kit

| Part Number | Description | Qty./Box | Wt./Box | |
|-------------|-------------------------|----------|---------|------|
| | | | lbs. | kg |
| FTSBK__ | 12" Long Splice Bar Kit | 5 Sets | 6.4 | 2.90 |

- Adds rigidity
- Includes two (2) SPLICE BAR and hardware
- Finishes __: **ZN**, FB, SS6



Splicing Chart (number of splices required for UL Classification)

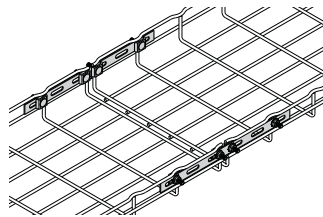
| Tray Height | Tray Width - number of splices | | | | | | | | |
|-------------|--------------------------------|------------|------------|------------|-------------|-------------|-------------|-------------|-------------|
| | 2" (50mm) | 4" (100mm) | 6" (150mm) | 8" (200mm) | 12" (300mm) | 16" (400mm) | 18" (450mm) | 20" (500mm) | 24" (600mm) |
| 2" | NC | NC | 2 | 2 | 2 | 2 | 2 | 2 | 2 |
| 4" | NM | 4 | 4 | 4 | 4 | 4 | 4 | 4 | 4 |
| 6" | NM | NM | NM | 4 | 4 | 4 | 4 | 4 | 4 |

NC = Not UL Classified in this size NM = Flextray is not manufactured in this size

Expansion Splice Kit

| Part Number | Description | Qty./Box | Wt./Box | |
|-------------|-------------------------------|----------|---------|------|
| | | | lbs. | kg |
| FTS12ESK__ | 12" Long Expansion Splice Kit | 1 Kit | 0.45 | 0.20 |

- Allows 1³/₄" (44mm) of expansion between two pieces of Flextray at expansion joints.
- To install, tighten nylon loc-nut until nut comes into contact with splice bar, then loosen approximately 1/4 turn.
- Includes two (2) splice bars and eight (8) sets of hardware
- Finishes __: **ZN**



Long Splice Bar (only)

| Part Number | Description | Qty./Box | Wt./Box | |
|-------------|---------------------|----------|---------|------|
| | | | lbs. | kg |
| FTS12SB__ | 12" Long - 6 Slots | 1 | 0.13 | 0.06 |
| FTS36SB__ | 36" Long - 18 Slots | 1 | 0.40 | 0.18 |

- FTS36SB long splice bar is used for assembly of large radius horizontal bends or field cut into short splice bars
- Splice Bars are designed for use with connecting hardware (FTSCH)
- Hardware sold separately
- Finishes __: **ZN**, FB, SS6



FTS12SB



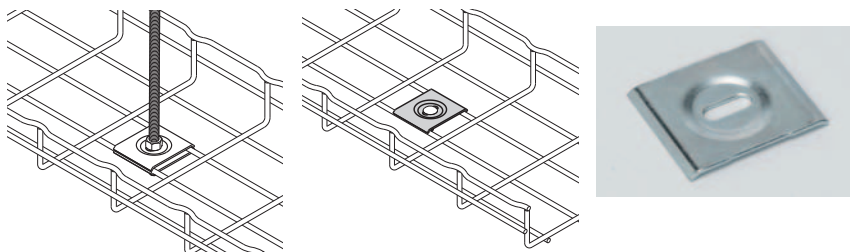
FTS36SB

See page 44 for finish and grounding information

Hold Down Plate

- Easy way to mount 4" (100mm) wide tray for raceway run.
- Use 1/4" screws to attach SUPT WASHER to your specific wall/stud application (hardware sold separately).
- FTA6HD can be used in pairs to create a center-hung support using 3/8" rod.
- To protect cables use threaded rod protector (page 61).
- To complete 3/8" center hanger assembly use:
 - 2 - FTA6HD
 - 2 - HN 3/8"-16 hex nuts
- Finish: **ZN**, SS6

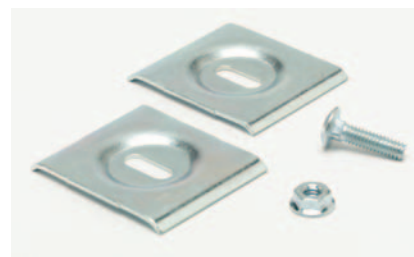
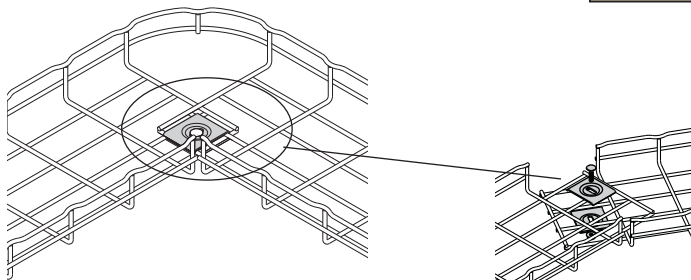
| Part Number | Slot Size | Qty./Box | Wt./Box | |
|-----------------------|-------------|----------|---------|------|
| | | | lbs. | kg |
| SUPT WASHER __ | .28" x .70" | 50 | 4.7 | 2.13 |
| FTA6HD __ | .40" x .70" | 50 | 3.5 | 1.59 |



- Horizontal adjustable kit can be used to create horizontal angles from prepared Flextray straight sections
- Conveniently poly-bagged
- Finishes __: **EG**, BLE, 316S

Horizontal Adjustable Kit

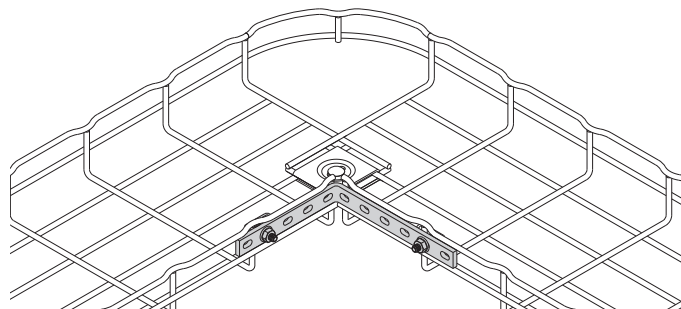
| Part Number | Description | Qty./Box | Wt./Box | |
|------------------|---------------------------|----------|---------|------|
| | | | lbs. | kg |
| FTSHAK __ | Horizontal Adjustable Kit | 10 | 2.4 | 1.09 |



- For fast assembly of 90° turns and tee fittings
- For use with all tray widths and sizes
- One kit will make two 90° turns or one tee fitting
- 90 DEGREE KIT: includes: two (2) 90° splice bars and eight (8) FTSCH
- Finishes __: **EG**, BLE, 316S

90 Degree Kit

| Part Number | Description | Qty./Box | Wt./Box | |
|-------------------------|---------------------------------|----------|---------|------|
| | | | lbs. | kg |
| 90 DEGREE KIT __ | 90 degree splice bar & hardware | 1 | 1.3 | 0.59 |

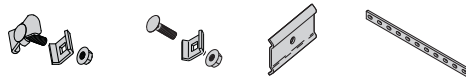


See page 44 for finish and grounding information

Flextray™ - Splicing Accessories

Components Required to Connect Two Sections of Flextray

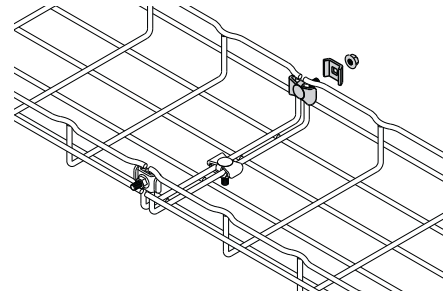
| System Part Number | System Width in. mm | Connector Assembly WASHER SPL KIT | Connecting Hardware FTSCH | Splice Plate FTS3SP | Splice Bar SPLICE BAR |
|--------------------|------------------------|--------------------------------------|------------------------------|------------------------|--------------------------|
|--------------------|------------------------|--------------------------------------|------------------------------|------------------------|--------------------------|



(*) 4 for 4" Deep Flextray
6 for 6" Deep Flextray

| | | | | | | |
|----------|-----|-----|----------------|---|---|---|
| FT2X2 | 2" | 50 | 2 | - | - | - |
| FT2X4 | 4" | 100 | 2 | - | - | - |
| FT2X6 | 6" | 150 | 4 ¹ | - | - | - |
| FT2X8 | 8" | 200 | 4 ¹ | - | - | - |
| FT2X12 | 12" | 300 | 4 ¹ | - | - | - |
| FT2X16 | 16" | 400 | 4 ¹ | - | - | - |
| FT2X18 | 18" | 450 | 4 ¹ | - | - | - |
| FT2X20 | 20" | 500 | 5 ¹ | - | - | - |
| FT2X24 | 24" | 600 | 5 ¹ | - | - | - |
| FT2X30 | 30" | 750 | 7 ¹ | - | - | - |
| FT2X32 | 32" | 800 | 7 ¹ | - | - | - |
| FT4X4 | 4" | 100 | 4 ¹ | - | - | - |
| FT4X6 | 6" | 150 | 5 ¹ | - | - | - |
| FT4X8 | 8" | 200 | 6 ² | - | - | - |
| FT(*)X12 | 12" | 300 | 6 ² | - | - | - |
| FT(*)X16 | 16" | 400 | 7 ² | - | - | - |
| FT(*)X18 | 18" | 450 | 7 ² | - | - | - |
| FT(*)X20 | 20" | 500 | 7 ² | - | - | - |
| FT(*)X24 | 24" | 600 | 7 ² | - | - | - |
| FT(*)X30 | 30" | 750 | 8 ² | - | - | - |

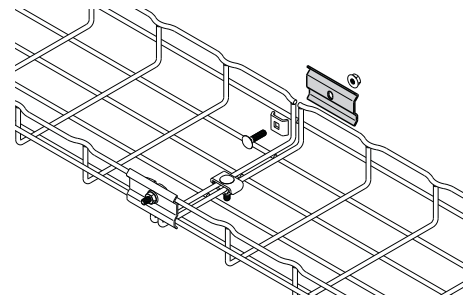
Washer Splice Kits



- 1 Install one kit on each side and remaining kit(s) on bottom.
- 2 Install two kits on each side and remaining kits on bottom.

| | | | | | | |
|----------|-----|-----|---|---|---|---|
| FT2X2 | 2" | 50 | - | 2 | 2 | - |
| FT2X4 | 4" | 100 | - | 2 | 2 | - |
| FT2X6 | 6" | 150 | 1 | 2 | 2 | - |
| FT2X8 | 8" | 200 | 1 | 2 | 2 | - |
| FT2X12 | 12" | 300 | 2 | 2 | 2 | - |
| FT2X16 | 16" | 400 | 2 | 2 | 2 | - |
| FT2X18 | 18" | 450 | 2 | 2 | 2 | - |
| FT2X20 | 20" | 500 | 2 | 2 | 2 | - |
| FT2X24 | 24" | 600 | 2 | 2 | 2 | - |
| FT2X30 | 30" | 750 | 4 | 2 | 2 | - |
| FT2X32 | 32" | 800 | 4 | 2 | 2 | - |
| FT4X4 | 4" | 100 | 1 | 2 | 2 | - |
| FT4X6 | 6" | 150 | 2 | 2 | 2 | - |
| FT4X8 | 8" | 200 | 2 | 2 | 2 | - |
| FT(*)X12 | 12" | 300 | 3 | 2 | 2 | - |
| FT(*)X16 | 16" | 400 | 4 | 2 | 2 | - |
| FT(*)X18 | 18" | 450 | 4 | 2 | 2 | - |
| FT(*)X20 | 20" | 500 | 4 | 2 | 2 | - |
| FT(*)X24 | 24" | 600 | 4 | 2 | 2 | - |
| FT(*)X30 | 30" | 750 | 5 | 2 | 2 | - |

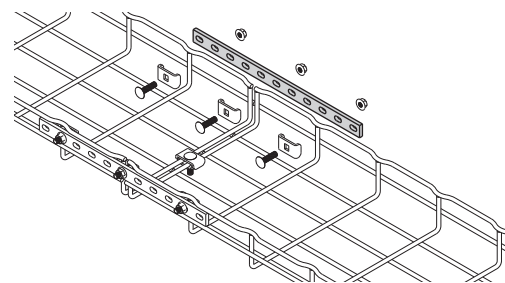
Splice Plates



Install splice plates on sides and
WASHER SPL KIT on bottom.

| | | | | | | |
|----------|-----|-----|---|---|---|---|
| FT2X2 | 2" | 50 | - | 2 | - | 2 |
| FT2X4 | 4" | 100 | - | 2 | - | 2 |
| FT2X6 | 6" | 150 | 1 | 2 | - | 2 |
| FT2X8 | 8" | 200 | 1 | 2 | - | 2 |
| FT2X12 | 12" | 300 | 2 | 2 | - | 2 |
| FT2X16 | 16" | 400 | 2 | 2 | - | 2 |
| FT2X18 | 18" | 450 | 2 | 2 | - | 2 |
| FT2X20 | 21" | 500 | 2 | 2 | - | 2 |
| FT2X24 | 24" | 600 | 2 | 2 | - | 2 |
| FT2X30 | 30" | 750 | 3 | 6 | - | 2 |
| FT2X32 | 32" | 800 | 3 | 6 | - | 2 |
| FT4X4 | 4" | 100 | 1 | 2 | - | 2 |
| FT4X6 | 6" | 150 | 2 | 2 | - | 2 |
| FT4X8 | 8" | 200 | 2 | 6 | - | 2 |
| FT(*)X12 | 12" | 300 | 2 | 6 | - | 2 |
| FT(*)X16 | 16" | 400 | 3 | 6 | - | 2 |
| FT(*)X18 | 18" | 450 | 3 | 6 | - | 2 |
| FT(*)X20 | 20" | 500 | 3 | 6 | - | 2 |
| FT(*)X24 | 24" | 600 | 3 | 6 | - | 2 |
| FT(*)X30 | 30" | 750 | 4 | 6 | - | 2 |

Splice Bars



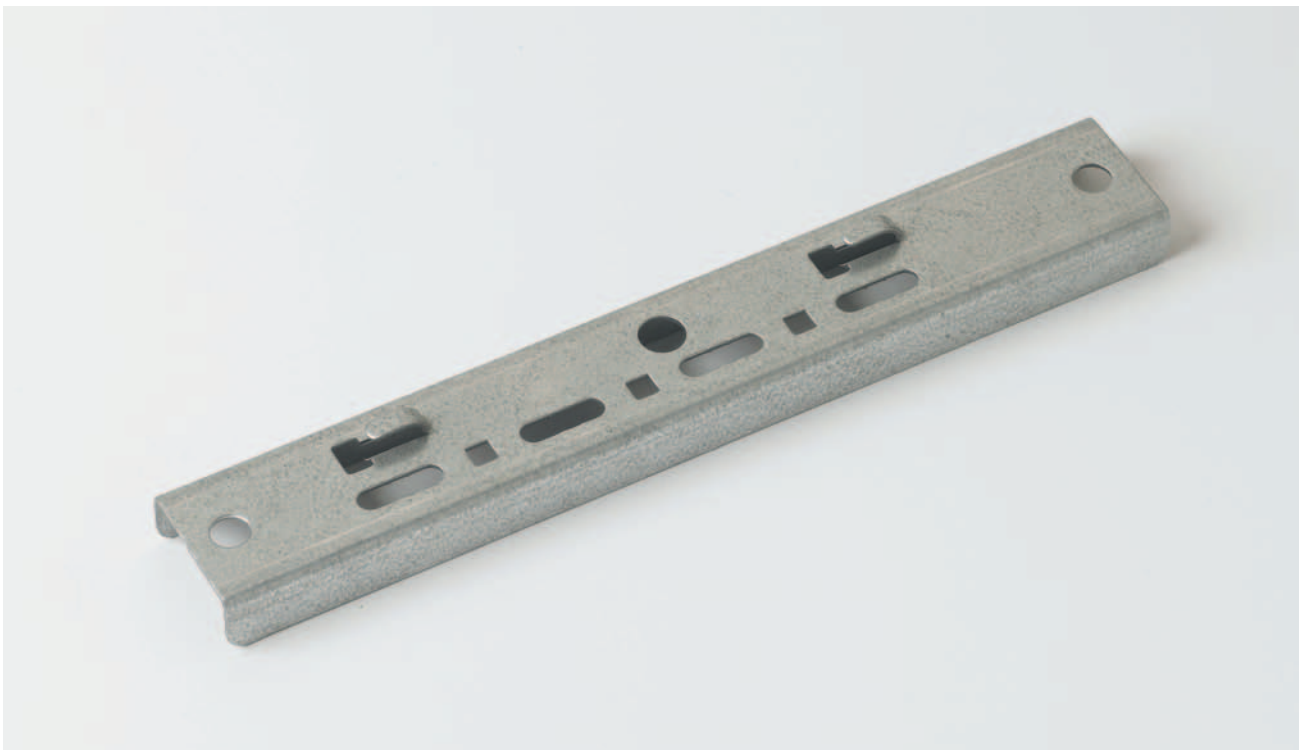
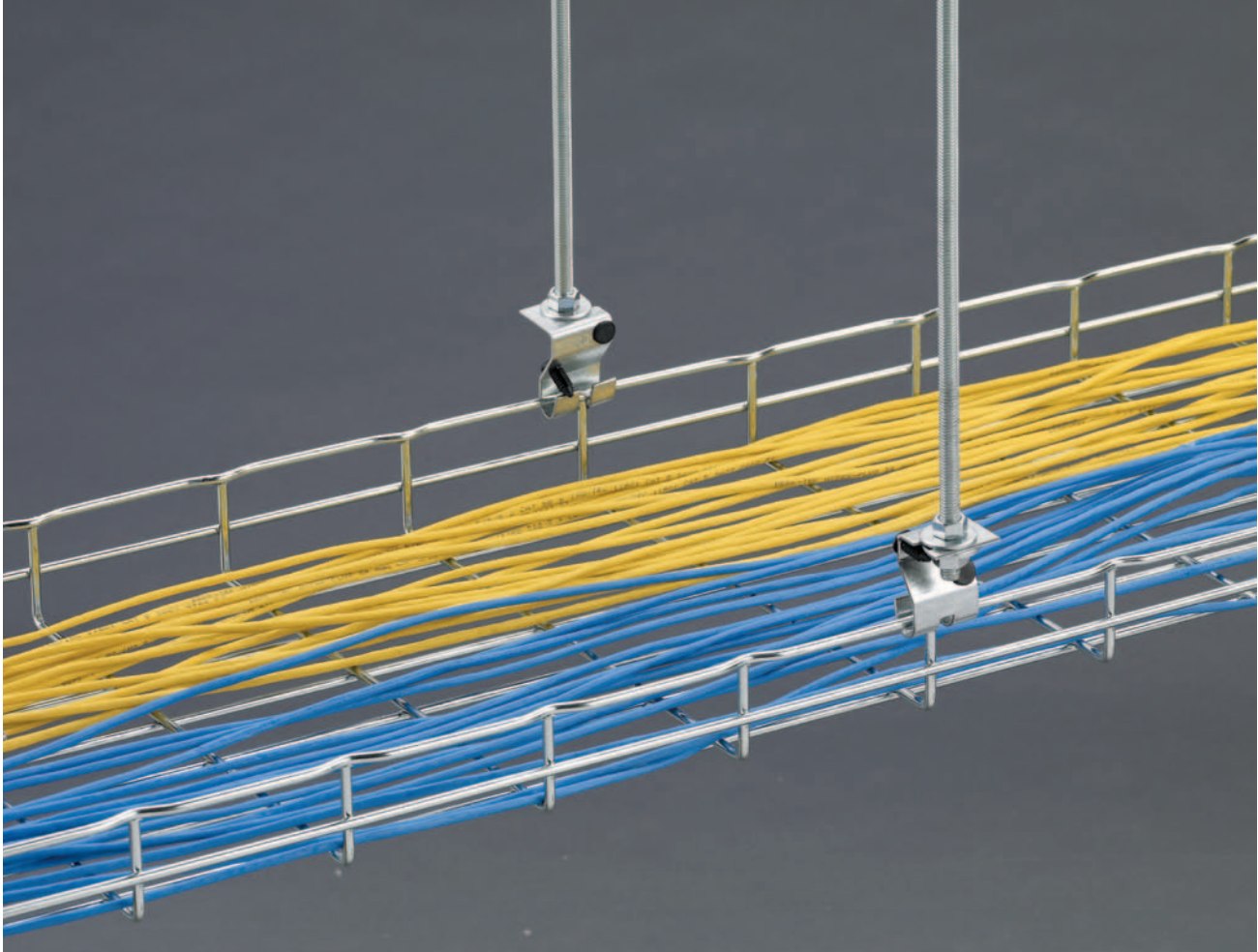
Install splice bars on sides and
WASHER SPL KIT on bottom.

Splice Plate Kits for 2" Deep Flextray

| Part Number | System Width | | Weight Per 100 | | Box Quantity | Conveniently poly-bagged for use with 2" Deep Flextray |
|-------------|--------------|-----|----------------|------|--------------|--|
| | in. | mm | lbs. | kg | | |
| FTS20SK | 2" | 50 | 2.91 | 1.32 | 10 | |
| | 4" | 100 | | | | |
| FTS21SK | 6" | 150 | 3.63 | 1.64 | 10 | |
| | 8" | 200 | | | | |
| FTS22SK | 12" | 300 | 4.35 | 1.97 | 10 | |
| | 18" | 450 | | | | |
| | 20" | 500 | | | | |
| | 24" | 600 | | | | |

Splice Plate Kits for 4" & 6" Deep Flextray

| Part Number | System Width | | Weight Per 100 | | Box Quantity | Conveniently poly-bagged for use with 4" & 6" Deep Flextray |
|-------------|--------------|-----|----------------|------|--------------|---|
| | in. | mm | lbs. | kg | | |
| FTS23SK | 4" | 100 | 5.07 | 2.30 | 10 | |
| | 6" | 150 | | | | |
| | 8" | 200 | | | | |
| | 12" | 300 | | | | |
| FTS24SK | 18" | 450 | 5.79 | 2.62 | 10 | |
| | 20" | 500 | | | | |
| | 24" | 600 | | | | |

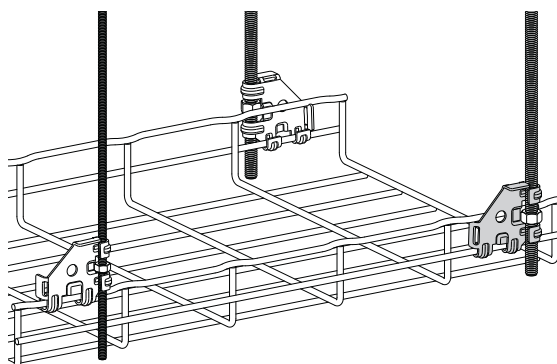


Flip Clip™

- Accommodates 1/4" and 3/8" rod sizes
- Installs quickly with a screwdriver or pliers thus reducing installation time
- Requires only one hex nut (not included) to hang and level the Flextray
- Retainer tabs can be bent over to lock-in the threaded rod and wire basket
- Finishes __: **ZN**, FB, SS6

| Part Number | Description | Qty./Box | Wt./Box | |
|----------------|-------------|----------|---------|------|
| | | | lbs. | kg |
| WB46H__ | Flip Clip | 50 | 5.2 | 2.36 |

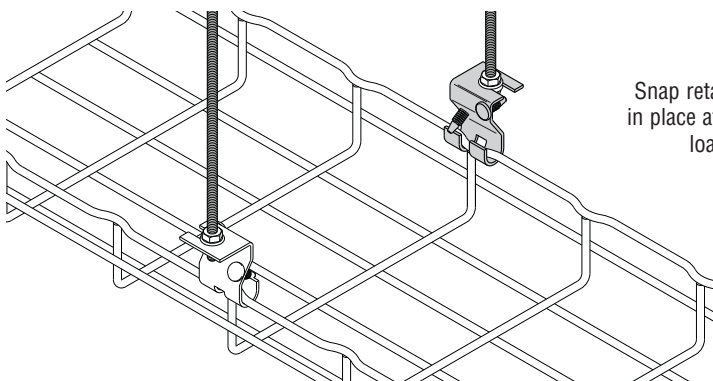
Snap retainers stop in place after cable is loaded.



Trapeze Support

- Trapeze Clip installs fast
- For use with trays up to 4" (100mm) deep, 12" (300mm) wide, and spans up to 8'-0" (2.44m)
- Tray can be released from support to allow side cable loading
- Accepts 1/4" and 3/8" threaded rod sizes
- Finishes __: **GS**, BLE

| Part Number | Description | Qty./Box | Wt./Box | |
|------------------------|----------------------|--|---------|------|
| | | | lbs. | kg |
| TRAPEZE SUPT2__ | Trapeze Support Clip | 50 trapeze clips 100 retainer stops | 7.0 | 3.17 |



Snap retainers stop in place after cable is loaded.



See page 44 for finish information

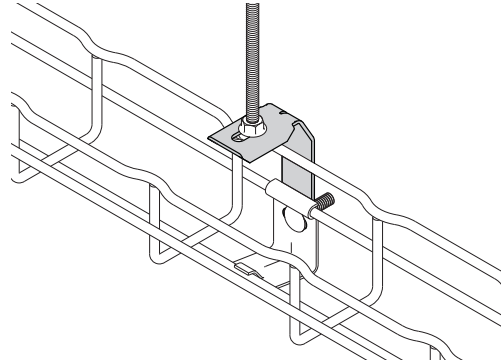
2" Center Hanger

| Part Number | Description | Qty./Box | Wt./Box | |
|-----------------|---------------------------------|----------|---------|------|
| | | | lbs. | kg |
| 2 IN CTR SUPT__ | Center Support Hanger for FT2x2 | 50 | 5.0 | 2.27 |

- For use with 2" (50mm) tray widths only
- Accepts 1/4" threaded rod
- Hardware sold separately
- Finishes __: **GS**, BLE



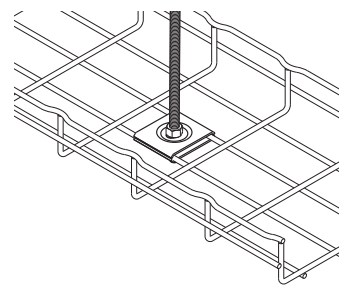
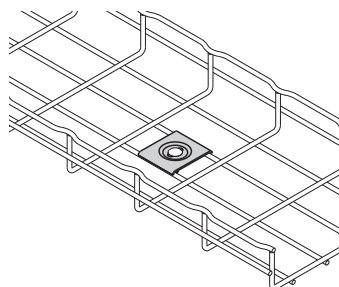
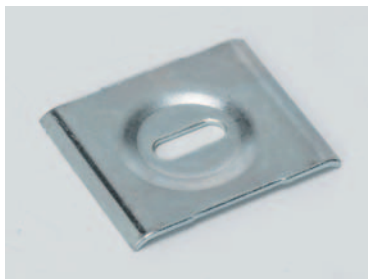
Assemble with ATTACHMENT CLP & FTHDWE 1/4 hardware.



Hold Down Plate

| Part Number | Slot Size | Qty./Box | Wt./Box | |
|---------------|-------------|----------|---------|------|
| | | | lbs. | kg |
| SUPT WASHER__ | .28" x .70" | 50 | 4.7 | 2.13 |
| FTA6HD__ | .40" x .70" | 50 | 3.5 | 1.59 |

- Easy way to mount 4" (100mm) wide tray for raceway run.
- Use 1/4" screws to attach SUPT WASHER to your specific wall/stud application (hardware sold separately).
- FTA6HD can be used in pairs to create a center-hung support using 3/8" rod.
- To protect cables use threaded rod protector (page 61).
- To complete 3/8" center hanger assembly use:
 - 2 - FTA6HD
 - 2 - HN 3/8"-16 hex nuts
- Finish: **ZN**, SS6

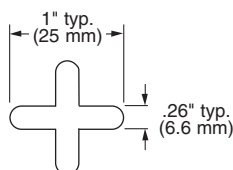
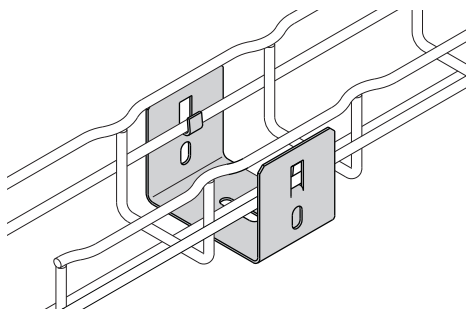


See page 44 for finish information

Mounting Bracket

- Designed to support FT2X2X10 Flextray
- Click tabs for Flextray attachment
- Use 1/4" hardware and washer (not included) to mount bracket
- Finishes __: **SS6**

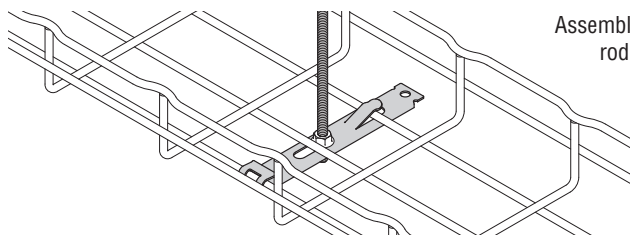
| Part Number | Description | Qty./Box | Wt./Box | |
|-----------------|------------------------------|----------|---------|------|
| | | | lbs. | kg |
| FTB2UB__ | Light Duty Wall/Rack Bracket | 10 | 2.1 | 0.95 |



Center Hung Clip

- Use for light duty cabling applications
- For use with 1 1/2" (38mm) & 2" (51mm) deep tray with 4" (100mm) and 6" (150mm) widths
- Built-in hold down tab
- Accepts 1/4" threaded rod
- Threaded rod and nuts sold separately
- Finishes __: **GS**, BLE

| Part Number | Description | Qty./Box | Wt./Box | |
|-----------------------|--------------------------|----------|---------|------|
| | | | lbs. | kg |
| CTR HUNG CLP__ | Light Duty Center Hanger | 50 | 4.0 | 1.81 |



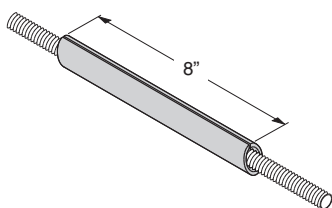
Assemble with 1/4" threaded rod and finned nut



Threaded Rod Protector

- Use to protect cables from 1/4" to 1/2" threaded rod
- PVC UL94V-0 material
- Color: Gray

| Part Number | Description | Qty./Box | Wt./Box | |
|----------------------|---------------|----------|---------|-------|
| | | | lbs. | kg |
| SB301-1/2x8__ | Rod Protector | 1 | 0.01 | 0.004 |

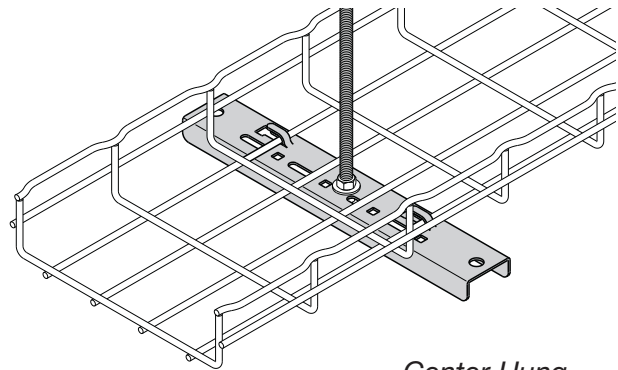


See page 44 for finish information

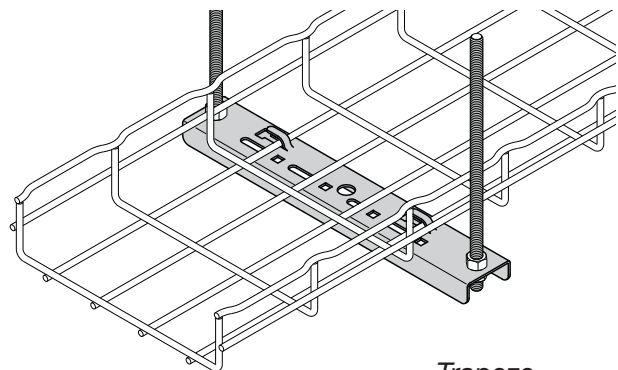
Center Trapeze Hanger

| Part Number | Maximum Tray Width | | Actual Length | | Wt./Pc. | |
|----------------|--------------------|-----|---------------|-----|---------|------|
| | in. | mm | in. | mm | lbs. | kg |
| FTB06CT | 6" | 150 | 9.78" | 248 | 0.61 | 0.27 |
| FTB08CT | 8" | 200 | 11.75" | 298 | 0.74 | 0.33 |
| FTB12CT | 12" | 300 | 15.69" | 398 | 0.98 | 0.44 |
| FTB16CT | 16" | 400 | 19.63" | 498 | 1.61 | 0.73 |
| FTB18CT | 18" | 450 | 21.59" | 548 | 1.77 | 0.80 |
| FTB20CT | 20" | 500 | 23.56" | 598 | 1.93 | 0.87 |
| FTB24CT | 24" | 600 | 27.50" | 698 | 2.25 | 1.02 |

- Can be installed as center-hung or traditional trapeze hanger
- Multiple options to secure Flextray to hanger
 - Built in hold down tabs (use screwdriver to bend down tab)
 - Compatible with TOOLLESS CLIP with snap-in locking pin
 - Compatible with WBUHD hold down clip when tray crosswire is aligned over top of hanger
 - Slots and holes for optional hardware attachment
- Corrosion resistant pre-galvanized zinc finish (other finishes available upon request)
- Center hole for up to 1/2" rod
- Hole on each end for up to 3/8" rod
- Threaded rod protector available (SB301-1/2 x 8)



Center Hung



Trapeze

See page 44 for finish information

KwikWire™ Clamps & Wire Rope



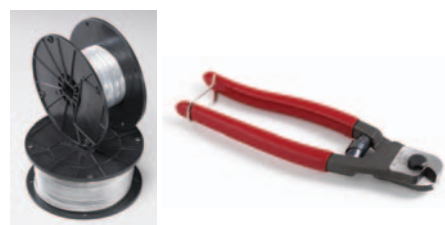
- KwikWire system replaces jack chain or ATR to support lighting, ductwork, and Flextray.
- Can be quickly installed around beams - No drilling required.
- Ideal for sloped ceilings - can hang objects at up to 60° angles.
- Simple height adjustments are made by releasing locking tab, no tools required.
- Spools of wire can be cut to length in field, reducing waste and up front planning.



| Part Number | Clamp Description For Use With Rope Diameter | Qty./Box |
|---------------|---|----------|
| BKC100 | 1/32", 1/16" & 3/32" | 100 |
| BKC200 | 3/32", 1/8" & 3/16" | 50 |



| Part Number | Rope Diameter - Working Load | Qty./Spool |
|-------------------|---------------------------------|------------|
| BKW063 (1) | 1/16" - 96 lbs. | 500 ft. |
| BKW094 (1) | 3/32" - 184 lbs. | 500 ft. |
| BKW125 (1) | 1/8" - 340 lbs. | 500 ft. |
| BKW188 (2) | 3/16" - 840 lbs. | 250 ft. |
| BKCC | Wire Rope Cutter | 1 |



Wire Rope Construction



(1) 7 x 7



(2) 7 x 19

KwikWire™ Clamp Working Loads*

| Clamp Part No. | Wire Rope Dia. | Lbs. Safety Factor 5 |
|----------------|----------------|----------------------|
| BKC100 | 1/32" | 0-22 |
| BKC100 | 1/16" | 0-75 |
| BKC100 | 3/32" | 25-150 |
| BKC200 | 3/32" | 25-150 |
| BKC200 | 1/8" | 25-250 |
| BKC200 | 3/16" | 50-640 |

* Working loads shown are for hanging vertically. For suspending at 15°, 30°, 45° or 60° angles from vertical, use the following percentage of the working loads from the chart:

15° = 96%
 30° = 86%
 45° = 70%
 60° = 50%

See page 44 for finish information

KwikWire™ Cable Assemblies



- New KwikWire “Y” Cable Assemblies will simplify the installation of light fixtures and cable tray.
- “Y” Cables enable a single suspension point to provide two securement points.
- “Y” legs are 18” in length.
- “Y” Cable Assembly Kits include two (2) 10’-0” long cable assemblies and two (2) KwikWire clamps.
- Add-on cable assemblies can be field installed on KwikWire systems.



| Part Number | Description | Qty./Box |
|----------------------|-------------|----------|
| BKYC-094 | Carabiner | 20 |
| BKYC-094-120K | Carabiner | 10 |

See page 44 for finish information



KwikWire™ Starter Kit

- Starter Kit includes everything you need to get the job done.
- Kits are packaged in a 5-gallon bucket for easy transportation. The lid includes a built-in cable counter to simplify measuring and cutting the wire rope to length.
- Starter Kit includes KwikWire clamps, a spool of wire rope, and a cable cutter.



| Part Number | Kit Includes - Working Load | Qty./Box |
|-------------|---|----------|
| BKS10063 | BKC100 (100 pcs.), Cable Cutter 1/16"Ø Wire Rope (500 ft.) | 1 |
| BKS10094 | BKC100 (100 pcs.), Cable Cutter 3/32"Ø Wire Rope (500 ft.) | 1 |
| BKS15094 | BKC150 (100 pcs.), Cable Cutter 3/32"Ø Wire Rope (500 ft.) | 1 |
| BKS15125 | BKC150 (100 pcs.), Cable Cutter 1/8"Ø Wire Rope (500 ft.) | 1 |
| BKS20125 | BKC200 (50 pcs.), Cable Cutter 1/8"Ø Wire Rope (500 ft.) | 1 |
| BKS20188 | BKC200 (50 pcs.), Cable Cutter 3/16"Ø Wire Rope (250 ft.) | 1 |



KwikPak™ Wire Rope & Clamps

KwikPak™ makes handling KwikWire™ a breeze!

- Refill your starter kit with a B-Line KwikPak™.
- KwikPaks include KwikWire clamps and a spool of wire rope.
- KwikPaks are shipped in a specially designed dispenser box to ease field cutting of wire.



| Part Number | Kit Includes - Working Load | Qty./Box |
|-------------|---|----------|
| BKP10063 | BKC100 (100 pcs.), Cable Cutter 1/16"Ø Wire Rope (500 ft.) | 1 |
| BKP10094 | BKC100 (100 pcs.), Cable Cutter 3/32"Ø Wire Rope (500 ft.) | 1 |
| BKP15094 | BKC150 (100 pcs.), Cable Cutter 3/32"Ø Wire Rope (500 ft.) | 1 |
| BKP15125 | BKC150 (100 pcs.), Cable Cutter 1/8"Ø Wire Rope (500 ft.) | 1 |
| BKP20125 | BKC200 (50 pcs.), Cable Cutter 1/8"Ø Wire Rope (500 ft.) | 1 |
| BKP20188 | BKC200 (50 pcs.), Cable Cutter 3/16"Ø Wire Rope (250 ft.) | 1 |

See page 44 for finish information

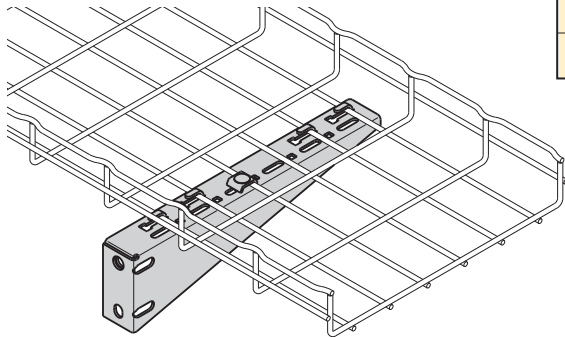
Flextray™ - Wall Support Methods



Flextray

Shelf Brackets

- Heavy-duty support bracket
- For use with 6" (150mm) to 24" (600mm) wide trays
- Built-in tab for hold down
- Optional hardware sold separately
- Finishes __: **GLV**, HDG, SS6



| Part Number | Use With Tray Width | Qty./Box | Wt./Box | |
|-------------------|---------------------|----------|---------|------|
| | | | lbs. | kg |
| FTB06CS __ | 6" (150mm) | 1 | 0.5 | 0.22 |
| FTB08CS __ | 8" (200mm) | 1 | 0.6 | 0.27 |
| FTB12CS __ | 12" (300mm) | 1 | 1.2 | 0.54 |
| FTB16CS __ | 16" (400mm) | 1 | 1.7 | 0.77 |
| FTB18CS __ | 18" (450mm) | 1 | 1.9 | 0.86 |
| FTB20CS __ | 20" (500mm) | 1 | 2.6 | 1.18 |
| FTB24CS __ | 24" (600mm) | 1 | 3.2 | 1.45 |

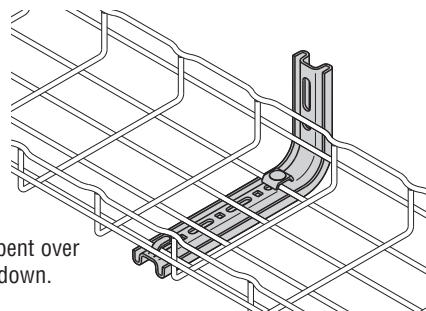


FTB24CS shown

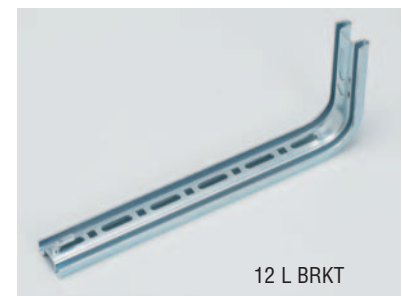
L Brackets

- Installs tray to wall cleanly
- Built-in tab for hold down (not available in stainless steel)
- For use with 4" (100mm) to 24" (600mm) wide trays
- Use with pedestal clamp in raised floor applications
- Hardware sold separately
- Finishes __: **EG**, HD, BLE, 316S

| Part Number | Use With Tray Width | Qty./Box | Wt./Box | |
|---------------------|-------------------------|----------|---------|------|
| | | | lbs. | kg |
| 4 L BRKT __ | 4" (150mm) | 1 | 0.6 | 0.27 |
| 8 L BRKT __ | 6" (150mm) & 8" (200mm) | 1 | 0.8 | 0.36 |
| 12 L BRKT __ | 12" (300mm) | 1 | 1.3 | 0.59 |
| 16 L BRKT __ | 16" (400mm) | 1 | 1.4 | 0.63 |
| 20 L BRKT __ | 18" & 24" (450 & 500mm) | 1 | 2.0 | 0.91 |
| 24 L BRKT __ | 24" (600mm) | 1 | 2.3 | 1.04 |



Tab can be bent over for hold down.

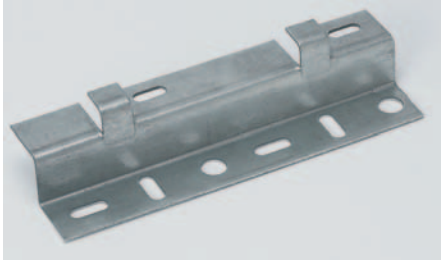


12 L BRKT

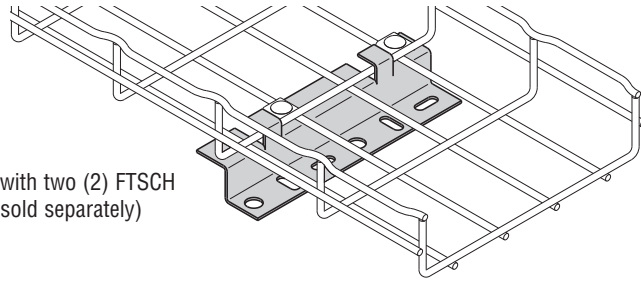
See page 44 for finish information

Z Brackets

| Part Number | Description | Qty./Box | Wt./Box | |
|-------------|-------------|----------|---------|------|
| | | | lbs. | kg |
| Z BRKT__ | Z Bracket | 1 | 0.6 | 0.27 |



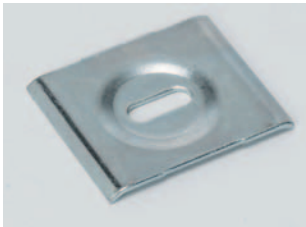
- Used for horizontal and/or vertical mounting
- 8" (200mm) wide bracket for use with 4" (100mm) to 32" (800mm) wide trays
- Can be used to offset trays from floor
- Can be used to terminate tray run at wall
- Multiple brackets can be used for wider tray widths
- Finishes __: **GS**, BLE



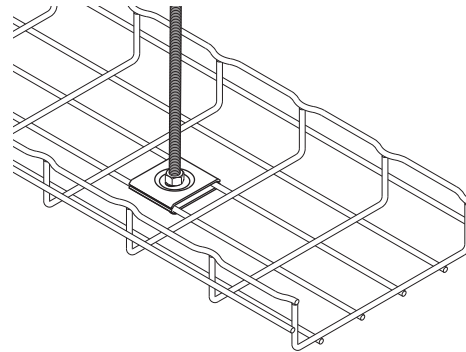
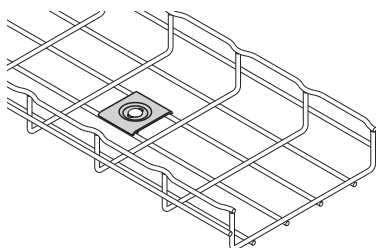
Use with two (2) FTSCH
(sold separately)

Hold Down Plate

| Part Number | Slot Size | Qty./Box | Wt./Box | |
|---------------|-------------|----------|---------|------|
| | | | lbs. | kg |
| SUPT WASHER__ | .28" x .70" | 50 | 4.7 | 2.13 |
| FTA6HD__ | .40" x .70" | 50 | 3.5 | 1.59 |



- Easy way to mount 4" (100mm) wide tray for raceway run.
- Use 1/4" screws to attach SUPT WASHER to your specific wall/stud application (hardware sold separately).
- FTA6HD can be used in pairs to create a center-hung support using 3/8" rod.
- To protect cables use threaded rod protector (page 61).
- To complete 3/8" center hanger assembly use:
 - 2 - FTA6HD
 - 2 - HN 3/8"-16 hex nuts
- Finish: **ZN**, SS6

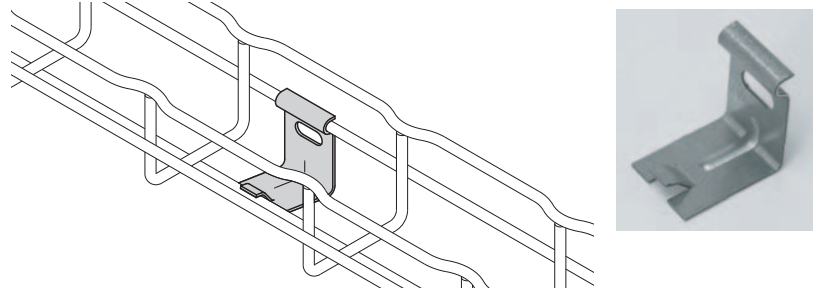


See page 44 for finish information

Attachment Clips

- Wall attachment for 2" (50mm) wide tray only (FT2X2X10)
- Low-profile appearance
- Built-in tab to hold down tray
- Can also be used with 2" (50mm) Center Hanger (see page 60)
- Hardware sold separately
- Finishes __: **GS**, BLE

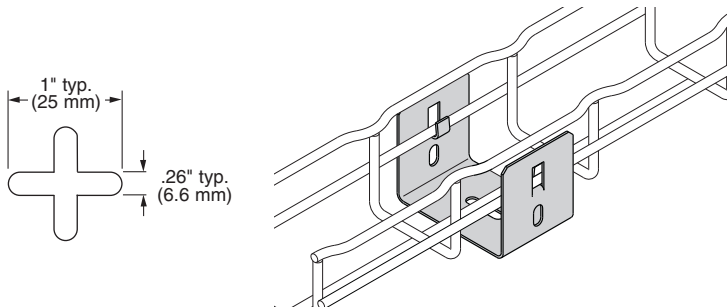
| Part Number | Description | Qty./Box | Wt./Box | |
|-------------------------|--------------------------------------|----------|---------|------|
| | | | lbs. | kg |
| ATTACHMENT CLP__ | Attachment Clip Support for FT2x2x10 | 50 | 3.4 | 1.54 |



Mounting Bracket

- Designed to support FT2X2X10 Flextray
- Click tabs for Flextray attachment
- Use 1/4" hardware and washer (not included) to mount bracket
- Finishes __: **SS6**

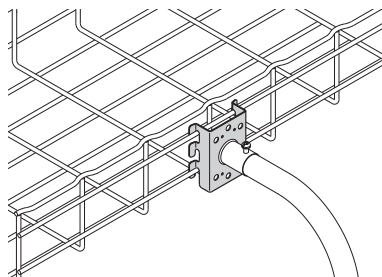
| Part Number | Description | Qty./Box | Wt./Box | |
|-----------------|------------------------------|----------|---------|------|
| | | | lbs. | kg |
| FTB2UB__ | Light Duty Wall/Rack Bracket | 10 | 2.1 | 0.95 |



Wall Supports

- Use to attach 2" (50mm) or 4" (100mm) trays to walls, struts or cabinets
- Use for raceway mounting
- Mount to metal framing for vertical support
- Tabs are built in for tray hold down
- Mount to side rail for electrical box connection
- Finishes __: **GLV**

| Part Number | Description | Qty./Box | Wt./Box | |
|-------------------|----------------------|----------|---------|------|
| | | | lbs. | kg |
| FTA050CC__ | Wall Support Bracket | 1 | 0.8 | 0.36 |



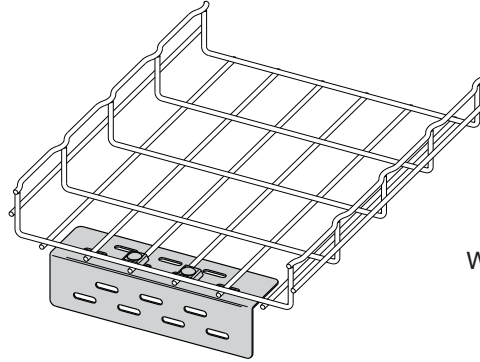
See page 44 for finish information

Flextray™ - Wall Support Methods

Wall Termination Kit

| Part Number | Length | Qty./Box | Wt./Box | |
|-------------|--------|----------|---------|------|
| | | | lbs. | kg |
| FTA9WTK__ | 9" | 1 | 1.3 | 0.59 |

- Kit includes all hardware necessary to support Flextray when terminated at a wall
- Mount slotted angle to wall with up to 3/8" hardware (not included)
- Finishes __: **ZN**, FB, SS6



Wall Termination Kit includes:
1 - Angle with Slots
2 - FTSCH

Wall Mount Kit

| Part Number | Length | Qty./Box | Wt./Box | |
|-------------|--------|----------|---------|------|
| | | | lbs. | kg |
| WB48WMK__ | 8" | 1 | 0.76 | 0.35 |
| WB1224WMK__ | 12" | 1 | 1.22 | 0.55 |

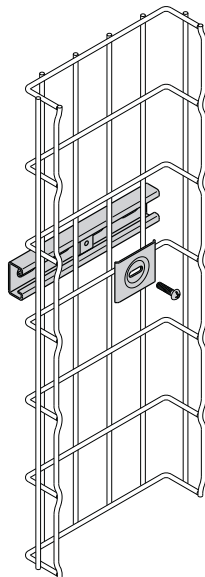
- Kit includes all components necessary to mount Flextray to a wall horizontally or vertically
- Mount strut to wall with up to 1/2" hardware (not included)
- Finish: Channel - **GLV**
Hardware - **ZN**
Available in SS6



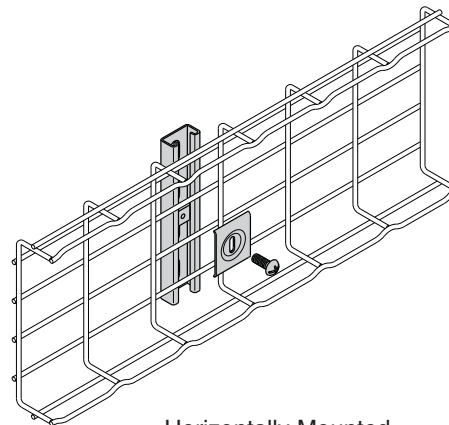
WB1224WMK shown

Wall Mount Kit includes:

| WB48WMK | WB1224WMK | |
|---------|-----------|---------------------------------|
| 1 | 1 | B54SH Strut |
| 1 | 2 | SUPT WASHER Hold Downs |
| 1 | 2 | 1/4"-20 x 1" Slotted Head Screw |
| 1 | 2 | N224WO Channel Nut |



Vertically Mounted



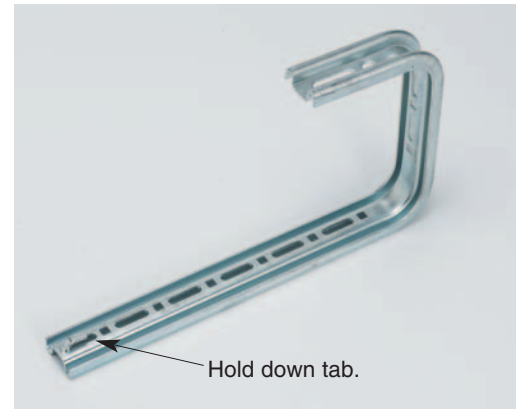
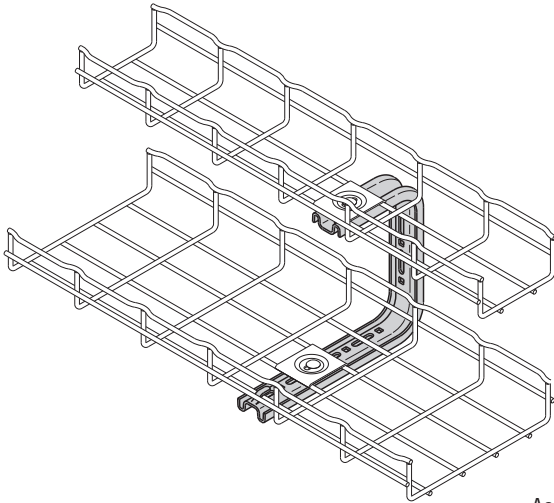
Horizontally Mounted

See page 44 for finish information

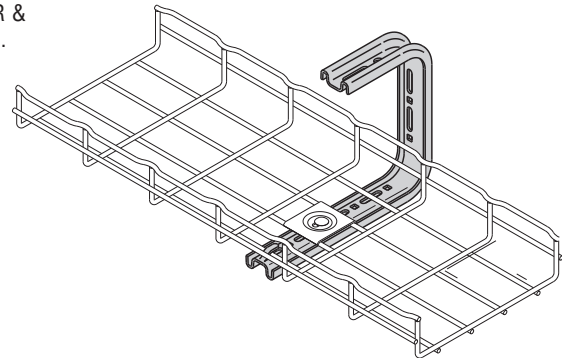
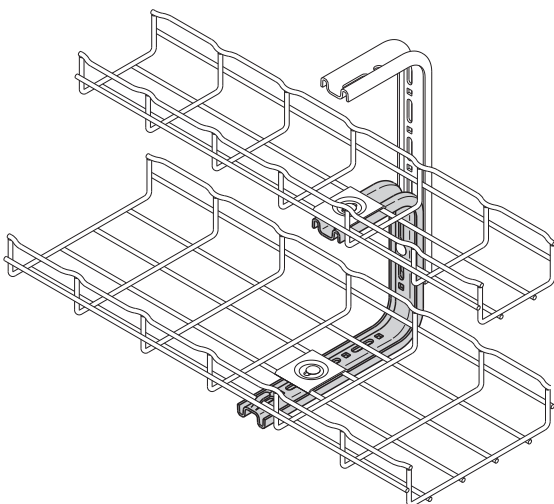
C Brackets

- Tab can be used for hold down (stainless steel will not have these tabs)
- For use with 4" (100mm) to 12" (300mm) wide trays
- C Bracket attaches to hard ceiling types
- All brackets are 7⁷/₈" (200mm) tall
- Cables can be side loaded
- L Brackets (page 67) and C Brackets can be combined for layered tray runs
- Finishes __: **EG**, BLE, HD

| Part Number | Description | Qty./Box | Wt./Box | |
|-------------|-----------------------|----------|---------|------|
| | | | lbs. | kg |
| 4 C BRKT__ | 4" (100mm) C Bracket | 1 | 1.2 | 0.54 |
| 8 C BRKT__ | 8" (200mm) C Bracket | 1 | 1.4 | 0.63 |
| 12 C BRKT__ | 12" (300mm) C Bracket | 1 | 1.9 | 0.86 |



Assemble with
SUPT WASHER &
FTHDWE 1/4.



See page 44 for finish information

Flextray™ - F.A.S.T. Underfloor System

The F.A.S.T. System is an innovative and flexible way to support and manage cables in raised floor applications. This Foldable, Adjustable, Stackable, Tool-less System uses Flextray, stands, and accessories to provide a variety of options for your project and the fastest installation time on the market. Best of all, it does not attach to the raised floor structure and can be installed either before or after floor is in place.



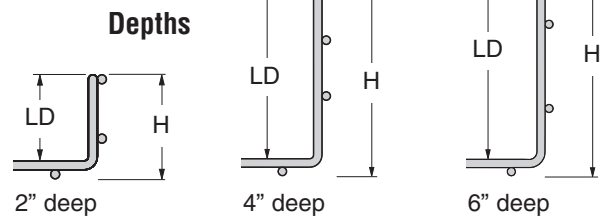
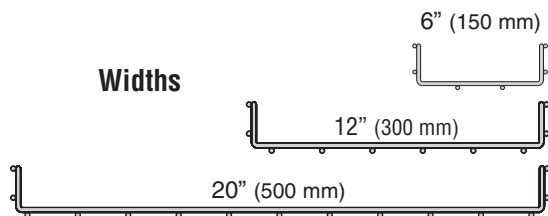
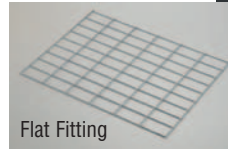
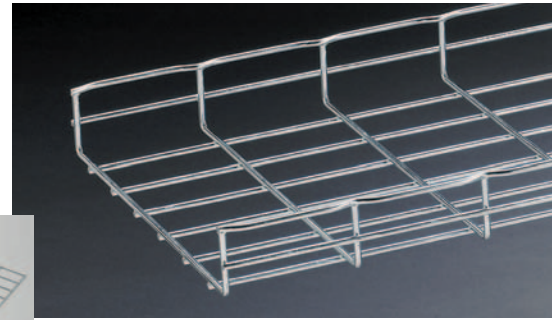
Flextray

Flextray™ - F.A.S.T. Underfloor System

F.A.S.T. System Flextray

- Rounded ends on all wires
- UL Classified (see technical data for details)
- Depths: 2", 4", & 6" nominal
- Lengths: 24", 48", & 118"
- Use flat fitting (WBUFLT) for turns
- Wire Diameter: 0.191" (4.9mm)
- Standard finishes: **GLV**

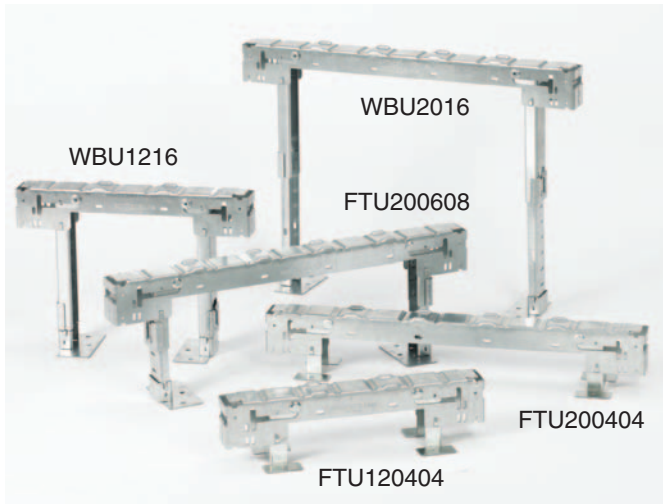
Consult customer service for other available finishes



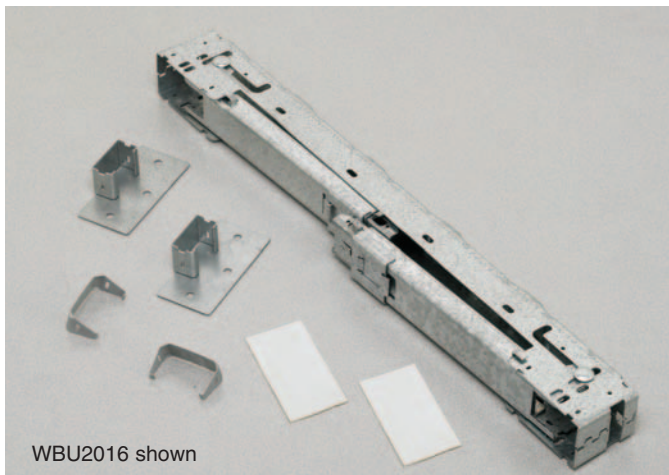
| | Part Number | Width | | Length | | LD | | H | | Wt. Per Pc. | |
|-----------------|-------------|-------|-----|--------|------|------|-----|------|-----|-------------|-------|
| | | in. | mm | in. | mm | in. | mm | in. | mm | lbs. | kg |
| 2" (50mm) deep | FTU2X6X2 | 6 | 150 | 23.9 | 603 | 1.63 | 41 | 2.02 | 51 | 2.03 | 0.92 |
| | FTU2X6X4 | 6 | 150 | 47.5 | 1206 | 1.63 | 41 | 2.02 | 51 | 3.95 | 1.79 |
| | FTU2X6X10 | 6 | 150 | 118.4 | 3008 | 1.63 | 41 | 2.02 | 51 | 9.72 | 4.41 |
| | FTU2X12X2 | 12 | 300 | 23.9 | 603 | 1.63 | 41 | 2.02 | 51 | 2.99 | 1.36 |
| | FTU2X12X4 | 12 | 300 | 47.5 | 1206 | 1.63 | 41 | 2.02 | 51 | 5.82 | 2.64 |
| | FTU2X12X10 | 12 | 300 | 118.4 | 3008 | 1.63 | 41 | 2.02 | 51 | 14.32 | 6.50 |
| | FTU2X20X2 | 20 | 500 | 23.9 | 603 | 1.63 | 41 | 2.02 | 51 | 4.28 | 1.94 |
| | FTU2X20X4 | 20 | 500 | 47.5 | 1206 | 1.63 | 41 | 2.02 | 51 | 8.33 | 3.78 |
| | FTU2X20X10 | 20 | 500 | 118.4 | 3008 | 1.63 | 41 | 2.02 | 51 | 20.45 | 9.28 |
| 4" (100mm) deep | FTU4X6X2 | 6 | 150 | 23.9 | 603 | 4.38 | 111 | 4.77 | 121 | 2.67 | 1.21 |
| | FTU4X6X4 | 6 | 150 | 47.5 | 1206 | 4.38 | 111 | 4.77 | 121 | 5.20 | 2.36 |
| | FTU4X6X10 | 6 | 150 | 118.4 | 3008 | 4.38 | 111 | 4.77 | 121 | 12.79 | 5.80 |
| | FTU4X12X2 | 12 | 300 | 23.9 | 603 | 4.38 | 111 | 4.77 | 121 | 3.64 | 1.65 |
| | FTU4X12X4 | 12 | 300 | 47.5 | 1206 | 4.38 | 111 | 4.77 | 121 | 7.08 | 3.21 |
| | FTU4X12X10 | 12 | 300 | 118.4 | 3008 | 4.38 | 111 | 4.77 | 121 | 17.39 | 7.89 |
| | FTU4X20X2 | 20 | 500 | 23.9 | 603 | 4.38 | 111 | 4.77 | 121 | 4.93 | 2.24 |
| | FTU4X20X4 | 20 | 500 | 47.5 | 1206 | 4.38 | 111 | 4.77 | 121 | 9.58 | 4.35 |
| | FTU4X20X10 | 20 | 500 | 118.4 | 3008 | 4.38 | 111 | 4.77 | 121 | 23.52 | 10.67 |
| 6" (150mm) deep | FTU6X6X2 | 6 | 150 | 23.9 | 603 | 6.38 | 162 | 6.77 | 172 | 3.32 | 1.51 |
| | FTU6X6X4 | 6 | 150 | 47.5 | 1206 | 6.38 | 162 | 6.77 | 172 | 6.45 | 2.93 |
| | FTU6X6X10 | 6 | 150 | 118.4 | 3008 | 6.38 | 162 | 6.77 | 172 | 15.85 | 7.19 |
| | FTU6X12X2 | 12 | 300 | 23.9 | 603 | 6.38 | 162 | 6.77 | 172 | 4.28 | 1.94 |
| | FTU6X12X4 | 12 | 300 | 47.5 | 1206 | 6.38 | 162 | 6.77 | 172 | 8.33 | 3.78 |
| | FTU6X12X10 | 12 | 300 | 118.4 | 3008 | 6.38 | 162 | 6.77 | 172 | 20.45 | 9.28 |
| | FTU6X20X2 | 20 | 500 | 23.9 | 603 | 6.38 | 162 | 6.77 | 172 | 5.57 | 2.53 |
| | FTU6X20X4 | 20 | 500 | 47.5 | 1206 | 6.38 | 162 | 6.77 | 172 | 10.83 | 4.91 |
| | FTU6X20X10 | 20 | 500 | 118.4 | 3008 | 6.38 | 162 | 6.77 | 172 | 26.59 | 12.06 |
| Flats | WBUFLT | 20 | 500 | 24 | 604 | - | - | - | - | 2.96 | 1.34 |
| | WBUFLT-12 | 12 | 250 | 24 | 604 | - | - | - | - | 1.50 | 0.68 |
| | WBUFLT-06 | 6 | 150 | 24 | 604 | - | - | - | - | 1.00 | 0.45 |

See page 44 for finish information

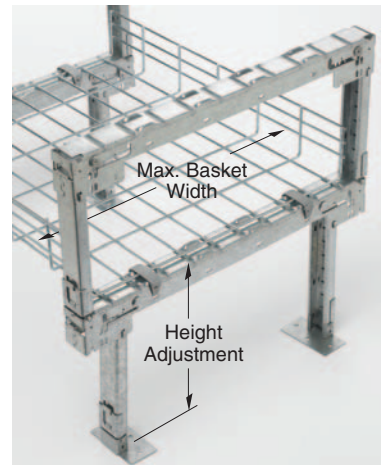
Stands



- No tools required for installation
- Formed top surface free of protrusions or sharp edges
- Up to 6" height adjustment
- Inside and outside leg positioning
- Folded and boxed for ease in shipping
- Patent Pending
- Stand part number includes:
 - one (1) stand
 - two (2) feet
 - two (2) adhesive pads
 - two (2) hold down clips
- Standard finish: Pre-Galvanized



WBUs2016 shown



WBUs2016 stands shown in double tier application. Feet and adhesive pads not required for second tier assembly.

| Part Number | Max. Basket Width | | Height Adjustment | | Stands Per Box | Wt. Per Box | |
|-------------|-------------------|-----|-------------------|---------|----------------|-------------|------|
| | in. | mm | in. | mm | | lbs. | kg |
| FTU120404 | 12 | 300 | 4 | 101 | 2 | 1.82 | 0.82 |
| FTU120608 | 12 | 300 | 6-8 | 152-203 | 2 | 2.79 | 1.26 |
| WBU1216 | 12 | 300 | 10-16 | 254-406 | 2 | 7.44 | 3.37 |
| WBU1224 * | 12 | 300 | 18-24 | 457-609 | 2 | 9.06 | 4.11 |
| WBU1231 * | 12 | 300 | 25-31 | 635-787 | 2 | 10.52 | 4.77 |
| FTU200404 | 20 | 500 | 4 | 101 | 2 | 2.34 | 1.06 |
| FTU200608 | 20 | 500 | 6-8 | 152-203 | 2 | 3.36 | 1.52 |
| WBU2016 | 20 | 500 | 10-16 | 254-406 | 2 | 8.56 | 3.88 |
| WBU2024 | 20 | 500 | 18-24 | 457-609 | 2 | 10.20 | 4.62 |
| WBU2031 * | 20 | 500 | 25-31 | 635-787 | 2 | 11.64 | 5.28 |

* Legs are packed separately in box and not inserted in stand.

See page 44 for finish information

Cantilever Kits & Accessories



- No tools required for installation
- Simple design for tiered applications
- Available in kits or individual parts
- Adjustable shelf height
- Formed top surface has no sharp edges
- Can be installed independent of raised floor
- Standard finish: Pre-Galvanized



Adjustability of shelf brackets

WBUCK812 Double Tier Cantilever Kit Shown with WBU2016 Stand



WBUCK12 - Single Tier Cantilever Kit
Includes
(1) WBUCB12
(1) WBUL16
(1) WBUFCF
(2) WBUHD



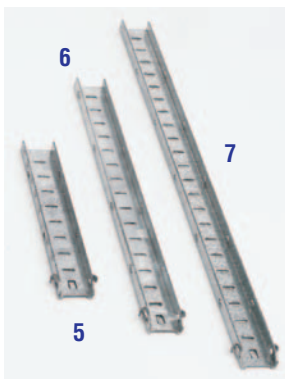
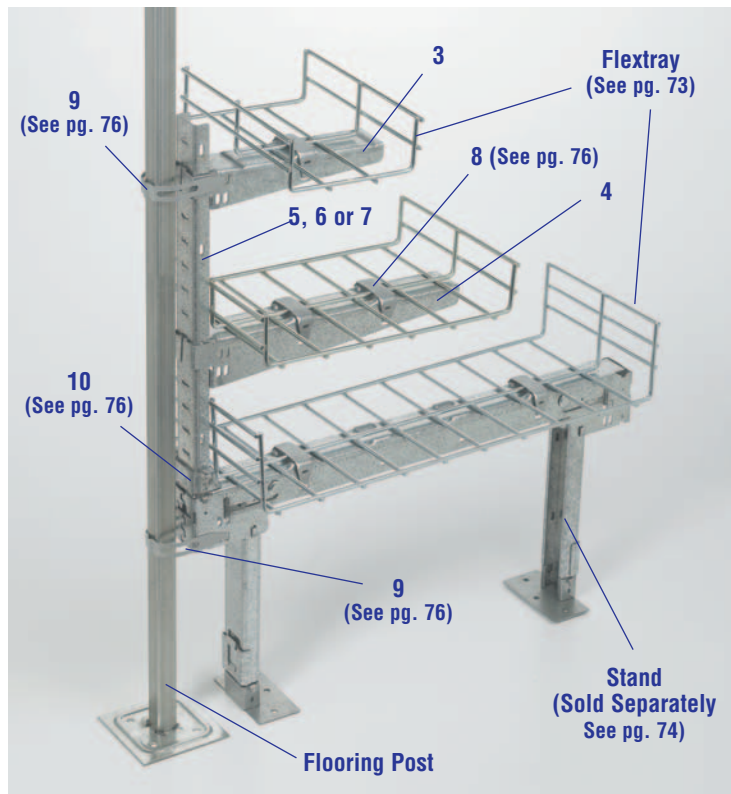
WBUCK812 - Double Tier Cantilever Kit
Includes
(1) WBUCB8
(1) WBUCB12
(1) WBUL24
(1) WBUFCF
(3) WBUHD



WBUCB8



WBUCB12



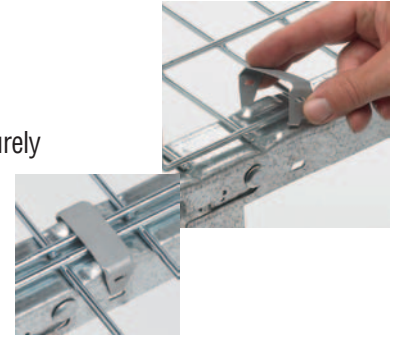
| Part Number | Item # | Description | Max Height † | | Box Qty. | Wt. Per Box | |
|-------------|----------------|---|--------------|-----|----------|-------------|-------|
| | | | in. | mm | | lbs. | kg |
| WBUCK12 * | 1 ^Δ | Cantilever Kit - Single Tier with 12" Bracket | 7.30 | 185 | 10 | 15.62 | 7.08 |
| WBUCK812 | 2 ^Δ | Cantilever Kit - Double Tier with 8" & 12" Brackets | 15.25 | 387 | 10 | 25.40 | 11.52 |
| WBUCB8 | 3 | 8" Cantilever Bracket for 6" Flextray | - | - | 10 | 5.51 | 2.50 |
| WBUCB12 | 4 | 12" Cantilever Bracket for up to 12" Flextray | - | - | 10 | 9.16 | 4.15 |
| WBUL16 | 5 | Short Vertical Support | 7.30 | 185 | 10 | 4.37 | 1.98 |
| WBUL24 | 6 | Medium Vertical Support | 15.25 | 387 | 10 | 8.45 | 3.83 |
| WBUL31 | 7 | Tall Vertical Support | 22.25 | 565 | 10 | 12.07 | 5.47 |

* For use with 2" and 4" deep Flextray on the lower level. † Height - from top of stand ^Δ Stand not included
See page 44 for finish information

Hold Down Clip



- Spring steel clip to attach Flextray to stands
- No tools required for installation
- Holds both continuous and spliced wire sections securely
- Works with stands and cantilever brackets



| Part Number | Item # | Description | Box Qty. | Wt. Per Box | |
|--------------|----------|-------------|----------|-------------|------|
| | | | | lbs. | kg |
| WBUHD | 8 | Basket Clip | 50 | 1.10 | 0.50 |

Pedestal Clip



- Optional spring steel clip to give added rigidity to system
- Works with stands and cantilever brackets



| Part Number | Item # | Description | Box Qty. | Wt. Per Box | |
|--------------|----------|---------------|----------|-------------|------|
| | | | | lbs. | kg |
| WBUPC | 9 | Pedestal Clip | 50 | 1.65 | 0.75 |

Cantilever Foot

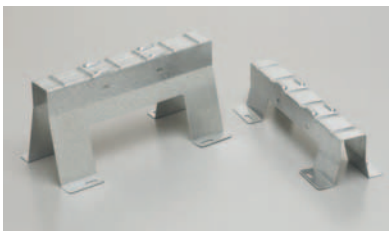


- Secures vertical support into stand top
- Only required when stand legs are in the inner position

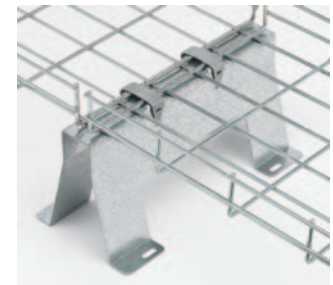


| Part Number | Item # | Description | Box Qty. | Wt. Per Box | |
|--------------|-----------|-----------------|----------|-------------|------|
| | | | | lbs. | kg |
| WBUCF | 10 | Cantilever Foot | 50 | 8.65 | 3.92 |

Under Floor Stand



- Heights of 3", 4", 5" or 6"
- Leg cutout allows for airflow
- No tools required to mount Flextray to stand
- Use WBUHD hold down clips to secure basket
- Stand width is 12"
- Fasten to floor for maximum stability
- Floor mounting slot size: .313" (7.9mm) x .813" (20.6mm) for 1/4" hardware

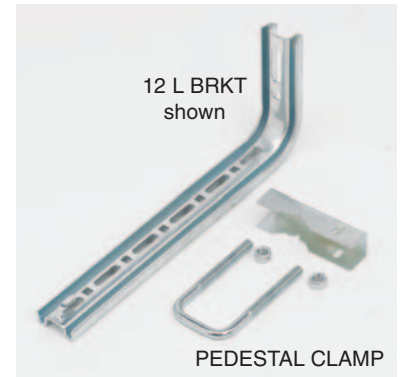


| Part Number | Overall Height | | Wt. Per Each | |
|----------------|----------------|-----|--------------|------|
| | in. | mm | lbs. | kg |
| WBU1203 | 3 | 76 | 1.32 | 0.60 |
| WBU1204 | 4 | 101 | 1.60 | 0.72 |
| WBU1205 | 5 | 127 | 1.88 | 0.85 |
| WBU1206 | 6 | 152 | 2.17 | 0.98 |

See page 44 for finish information

L Bracket & Toolless Clip

- For use when access to ground floor is limited
- Use with round post sizes 0.9" (25mm) through 1.2" (30mm)
- Use with square posts
- Order clamps and brackets separately
- Built-in tab for hold down
- Tool-less Clip (plenum-rated material) - Snap-in locking pin securely holds basket to bracket



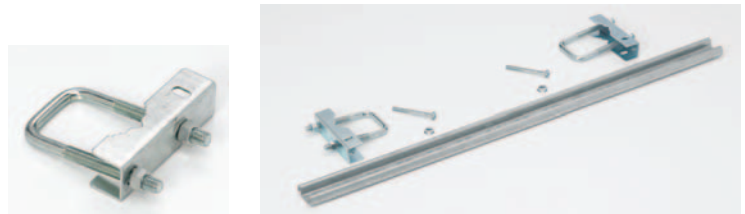
| Part Number | Description | Qty. | Wt. Per Box | |
|----------------------|--------------------------|--------|-------------|------|
| | | | lbs. | kg |
| TOOLLESS CLIP | Tool-less Hold-Down Clip | 50/Box | 1.00 | 0.45 |

Brackets (Zinc Plated)

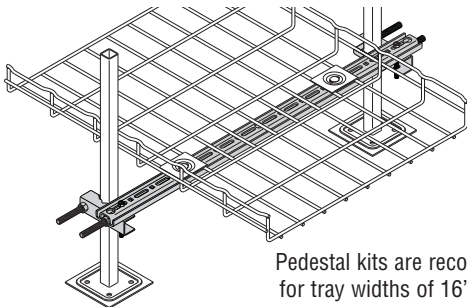
| Part Number | System Width | | Length | | Box Qty. | Wt. Per Box | |
|------------------|--------------|---------|--------|-----|----------|-------------|------|
| | in. | mm | in. | mm | | lbs. | kg |
| 8 L BRKT | 6-8 | 150-200 | 8 | 200 | 1 | 0.80 | 0.36 |
| 12 L BRKT | 12 | 300 | 12 | 300 | 1 | 1.30 | 0.59 |

- Clamps to existing raised-access floor stanchion
- Use L BRKT (shown above) or full pedestal kit to support trays under the raised access floor (sold separately)
- For tray widths 2" (50mm) to 20" (500mm)
- *Pedestal Clamp Kit includes two (2) pedestal clamps, 28" (711mm) profile section, bolts & nuts
- Kits include hardware
- Finishes __: **EG**

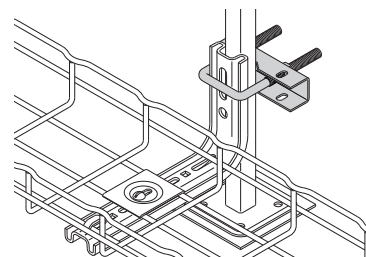
Pedestal Clamp & Kit



| Part Number | Description | Qty./Box | Wt./Box | |
|-------------------------|--------------------|----------|---------|------|
| | | | lbs. | kg |
| PEDESTAL CLAMP__ | Pedestal Clamp | 1 | 0.6 | 0.27 |
| PEDESTAL KIT__ | Pedestal Clamp Kit | 1* | 3.3 | 1.49 |



Pedestal kits are recommended for tray widths of 16" (400mm) or greater

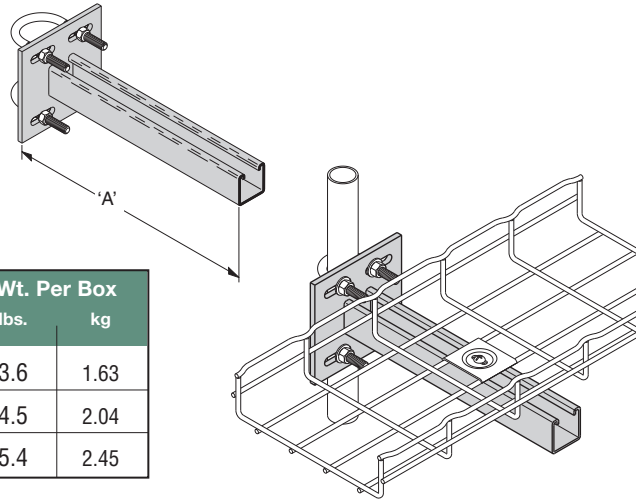


See page 44 for finish information

Under Floor Support Bracket



- Under Floor Support Bracket provides rugged support for Flextray System from access floor post.
- To complete the installation, the following hardware must be ordered separately.
 - (2) - B501 U-Bolts
 - (1) - SUPT WASHER Hold Down
 - (1) - 1/4"-20 x 1" Slotted Head Screw
 - (1) - N224WO Channel Nut
- Finish: **ZN**

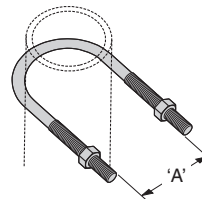


| Part Number | 'A' | | Thread | | Box Quantity | Wt. Per Box | |
|------------------|-----|-----|--------|-----|--------------|-------------|------|
| | in. | mm | in. | mm | | lbs. | kg |
| B409UF-12 | 12" | 300 | 12" | 300 | 1 | 3.6 | 1.63 |
| B409UF-18 | 18" | 450 | 18" | 450 | 1 | 4.5 | 2.04 |
| B409UF-21 | 21" | 533 | 21" | 533 | 1 | 5.4 | 2.45 |

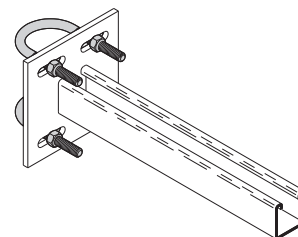
U-Bolts



- Designed for attachment of Under Floor Support Brackets to access floor post. Each U-Bolt includes two (2) hex nuts.
- Finish: **ZN**



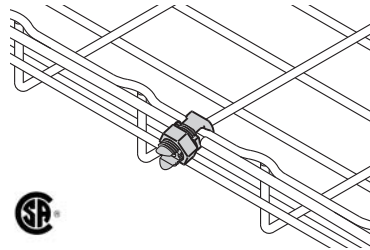
| Part Number | 'A' | | Thread Size | Box Quantity | Wt. Per Box | |
|-------------------|----------|----|-------------|--------------|-------------|------|
| | in. | mm | | | lbs. | kg |
| B501-1 | 1 3/8" | 30 | 5/16"-18 | 50 | 7.0 | 3.17 |
| B501-1 1/2 | 2" | 50 | 5/16"-18 | 50 | 8.0 | 3.63 |
| B501-2 | 2 7/16" | 62 | 3/8"-16 | 20 | 5.4 | 2.45 |
| B501-2 1/2 | 2 15/16" | 75 | 3/8"-16 | 25 | 8.0 | 3.63 |



See page 44 for finish information

Flextray™ - F.A.S.T. Underfloor System

- Attaches up to #1 ground wire to each tray section when separate ground wire is required
- Used for UL grounding compliance.
- When using color powder coated finish or paint, coating must be removed at the points of contact.
- Finish: Copper Plated



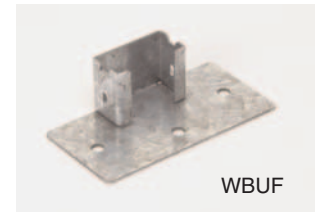
Ground Bolt



| Part Number | Description | Qty./Box | Wt./Box | |
|--------------------|-------------|----------|---------|------|
| | | | lbs. | kg |
| GROUND BOLT | Ground Bolt | 1 | 0.11 | 0.05 |



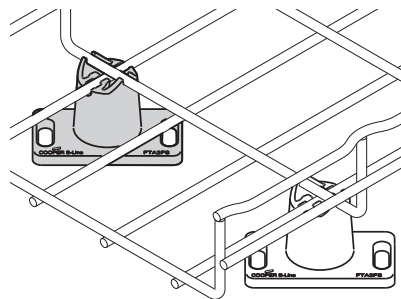
Adhesive & Feet



- WBUTAPE - Double-sided adhesive pads for temporary positioning of floor stands
Pad Size: 2" (50mm) x 4" (100mm)
- WBUFA - Adhesive to secure stand to floor

| Part Number | Description | Box Qty. | Wt. Per Box | |
|----------------|-------------------|----------|-------------|------|
| | | | lbs. | kg |
| WBUF | Stand Foot | 10 | 2.36 | 1.07 |
| WBUTAPE | Double-Sided Tape | 50 | 2.50 | 1.13 |
| WBUFA | Floor Adhesive | 1 Gallon | 10.78 | 4.89 |

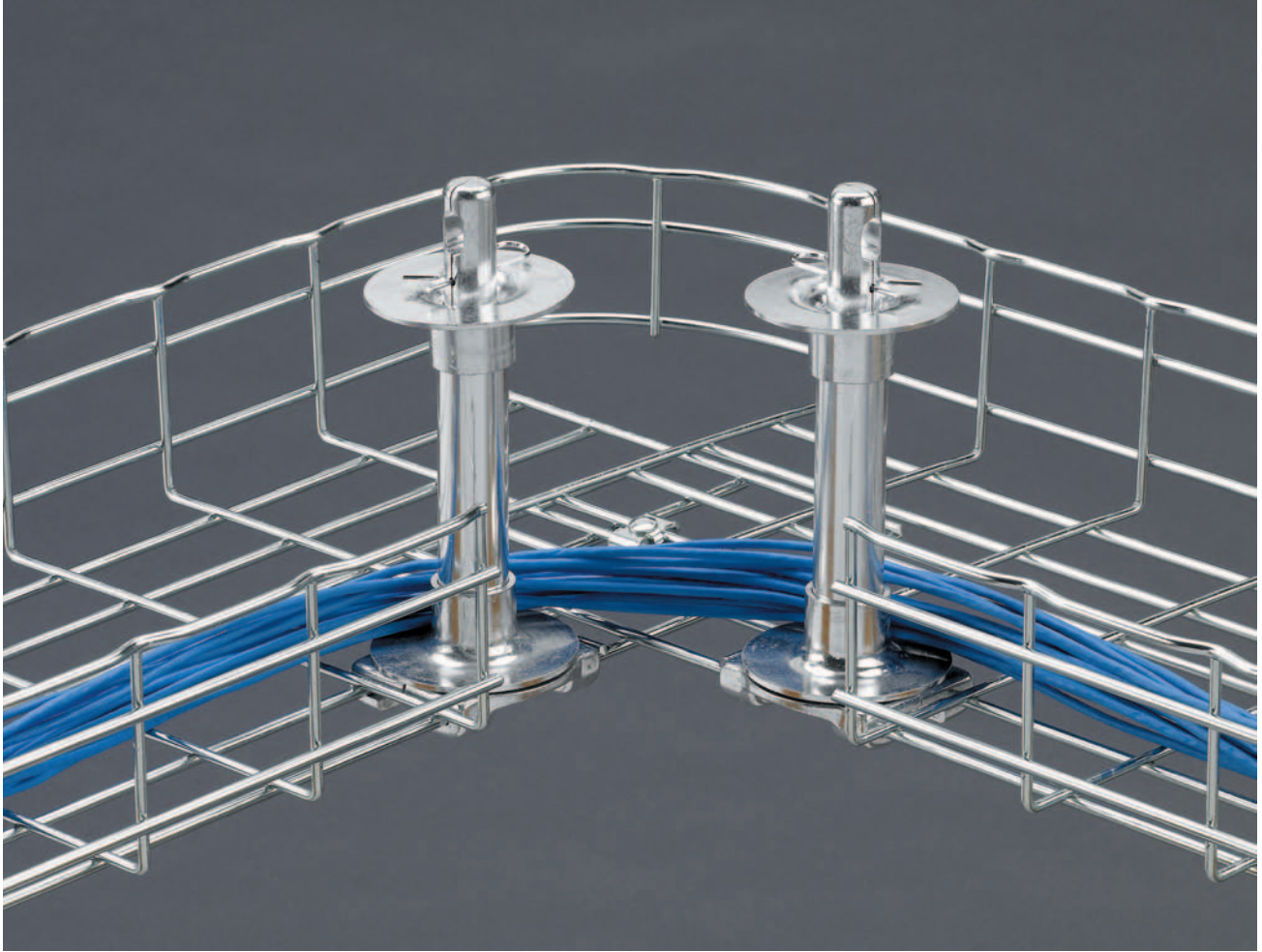
- Non-metallic snap lock floor stand is designed for use under access floors.
- Floor stand elevates Flextray System 1⁵/₈" (41.3mm) above the floor.
- To attach floor stand, use Liquid Nails™ or anchors.
- Elevation increments of 1³/₈" (35mm) can be obtained by stacking floor stands.
- Sized for 1/4" hardware (order separately).
- Material: Black Plenum-rated Plastic



Floor Stand

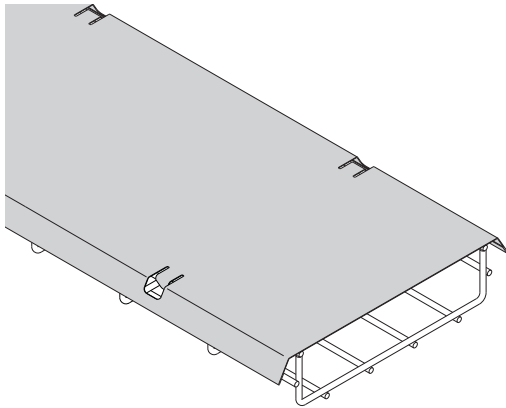
| Part Number | Wt. Per Pc. | | Box Quantity |
|---------------|-------------|------|--------------|
| | lbs. | kg | |
| FTA2FS | 0.44 | 0.20 | 10 |

See page 44 for finish information

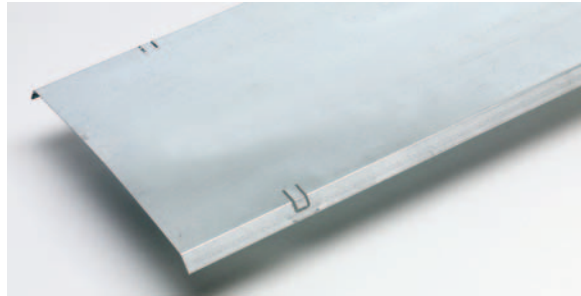


Covers

- Protects cable from debris and dust
- Adds security to cable installation
- Easy bend-over tabs secure cover to trays
- Available for 2" (50mm) to 24" (600mm) wide trays
- Comes in 118" (2997mm) length
- Finishes __: **GS**, BLE, 304S, 316S



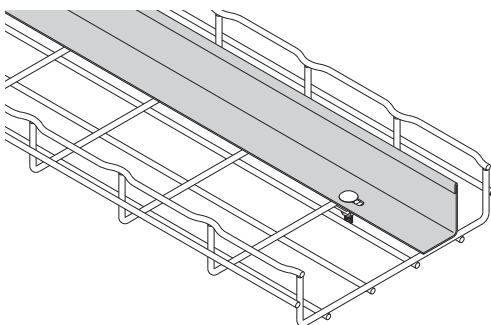
| Part Number | Use With Tray Width | Qty./Box | Wt./Box | |
|-----------------------|---------------------|----------|---------|------|
| | | | lbs. | kg |
| 2 IN COVER __ | 2" (50mm) | 1 | 3.8 | 1.72 |
| 4 IN COVER __ | 4" (100mm) | 1 | 5.7 | 2.58 |
| 6 IN COVER __ | 6" (150mm) | 1 | 6.7 | 3.04 |
| 8 IN COVER __ | 8" (200mm) | 1 | 8.7 | 3.94 |
| 12 IN COVER __ | 12" (300mm) | 1 | 11.6 | 5.26 |
| 16 IN COVER __ | 16" (400mm) | 1 | 15.6 | 7.07 |
| 18 IN COVER __ | 18" (450mm) | 1 | 17.0 | 7.71 |
| 20 IN COVER __ | 20" (500mm) | 1 | 18.5 | 8.39 |
| 24 IN COVER __ | 24" (600mm) | 1 | 22.0 | 9.98 |



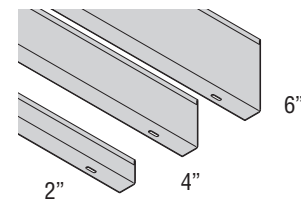
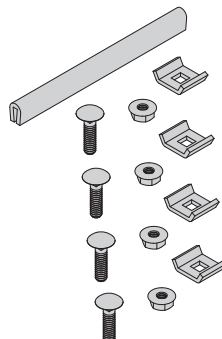
Dividers

- Allows cable separation within a single tray
- Hemmed/rounded edge provides cable jacket safety
- Hardware included
- Field miter for bends and turns
- Dual slots every 24" (609mm) for field cutting
- Available in 2" (50mm), 4" (100mm) and 6" (150mm) heights
- Comes in 118.125" (3000mm) length
- Finishes __: **GS**, BLE, 304S, 316S

| Part Number | Use With Tray Depth | Qty./Box | Wt./Box | |
|------------------------|---------------------|----------|---------|------|
| | | | lbs. | kg |
| 2 IN DIVIDER __ | 2" (50mm) Deep | 1 | 3.5 | 1.59 |
| 4 IN DIVIDER __ | 4" (100mm) Deep | 1 | 9.6 | 4.35 |
| 6 IN DIVIDER __ | 6" (150mm) Deep | 1 | 14.5 | 6.58 |



Dividers include hardware shown below



See page 44 for finish information

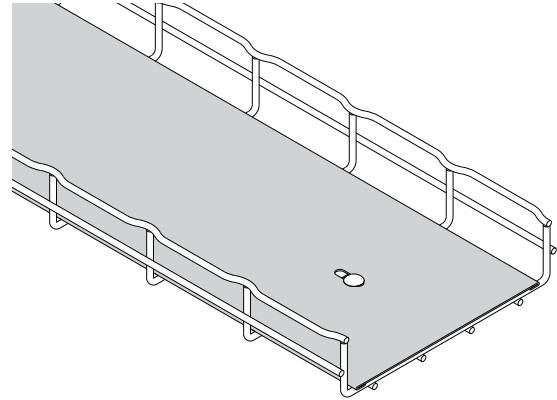
Solid Bottom Inserts

| Part Number | Use With Tray Width | Qty./Box | Wt./Box | |
|-----------------|---------------------|----------|---------|-------|
| | | | lbs. | kg |
| INSERT 4X118__ | 4" (100mm) | 1 | 6.8 | 3.08 |
| INSERT 6X118__ | 6" (150mm) | 1 | 9.8 | 4.44 |
| INSERT 8X118__ | 8" (200mm) | 1 | 13.3 | 6.03 |
| INSERT 12X118__ | 12" (300mm) | 1 | 21.6 | 9.80 |
| INSERT 16X118__ | 16" (400mm) | 1 | 26.4 | 11.97 |
| INSERT 18X118__ | 18" (450mm) | 1 | 32.4 | 14.69 |
| INSERT 20X118__ | 20" (500mm) | 1 | 32.9 | 14.92 |
| INSERT 24X118__ | 24" (600mm) | 1 | 39.3 | 17.82 |

Attach with
FTHDWE 1/4" &
Top Washer



- Continuous support for sensitive cables
- Security of cable in high-traffic areas
- Hardware included
- Available for 2" (50mm) to 24" (600mm) wide trays
- Comes in 118" (2997mm) length
- Finishes __: **GS**, BLE, 304S, 316S



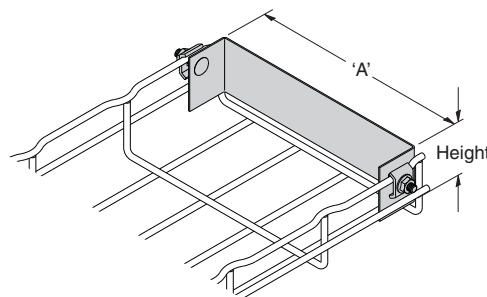
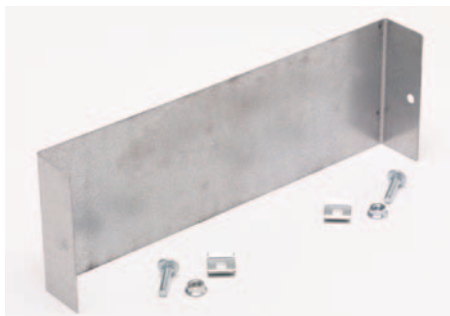
Blind Ends

| Part Number | 'A' | | Height | | Box Quantity |
|--------------|-----|-----|--------|------|--------------|
| | in. | mm | in. | mm | |
| FT BE 2X2 | 2" | 50 | 2" | 50 | 1 |
| FT BE (*)X4 | 4" | 100 | (*) | (*) | 1 |
| FT BE (*)X6 | 6" | 150 | (*) | (*) | 1 |
| FT BE (**X8 | 8" | 200 | (*) | (*) | 1 |
| FT BE (**X12 | 12" | 300 | (**) | (**) | 1 |
| FT BE (**X16 | 16" | 400 | (**) | (**) | 1 |
| FT BE (**X18 | 18" | 450 | (**) | (**) | 1 |
| FT BE (**X20 | 20" | 500 | (**) | (**) | 1 |
| FT BE (**X24 | 24" | 600 | (**) | (**) | 1 |

- Forms a closure for a dead-end Flextray
- Hardware included
- Finish: **GLV**, SS6

(*) Insert: 2 = 2" (50 mm), 4 = 4" (100 mm) for height

(**) Insert: 2 = 2" (50 mm), 4 = 4" (100 mm),
6 = 6" (150 mm) for height

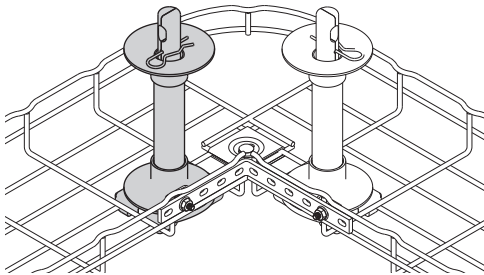


See page 44 for finish information

Cable Roller

- Protects and maintains recommended cable radii for Cat 5, Cat 5E, Cat 6, Cat 6A, Fiber, etc.
- Height of roller can be adjusted to tray depth
- Installs in seconds with no tools
- Reduces cable installation time
- Prevents migration of cables
- For use with 4" (100mm) to 32" (800mm) tray widths
- Finish: Cast Aluminum

| Part Number | Description | Qty./Box | Wt./Box | |
|---------------------|--------------|----------|---------|------|
| | | | lbs. | kg |
| CABLE ROLLER | Cable Roller | 1 | 1.0 | 0.45 |

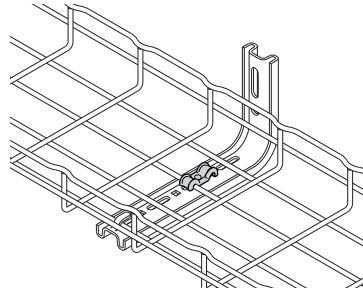


Quick, snap-together design

Toolless Clip

- Securely holds tray to support
- Snap-in locking pin
- No tools or fastening required
- Fastest hold-down method available
- For use with the following:
 - FTB_CS (see pg. 67)
 - L BRKT (see pg. 67)
 - C BRKT (see pg. 71)
- Finish: Plenum rated resin (black)

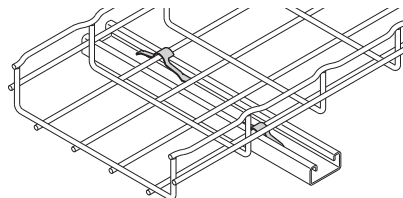
| Part Number | Description | Qty./Box | Wt./Box | |
|----------------------|-------------------------|----------|---------|------|
| | | | lbs. | kg |
| TOOLLESS CLIP | Toolless Hold-Down Clip | 50 | 1.0 | 0.45 |



Strut Mounting Clip

- Use to secure Flextray to horizontal strut support
- Designed for use as shown in drawing (no load rating)
- Finish: Black Zinc Phosphate

| Part Number | Description | Qty./Box | Wt./Box | |
|-------------|---------------------|----------|---------|------|
| | | | lbs. | kg |
| BW4 | Strut Mounting Clip | 100 | 0.9 | 0.41 |

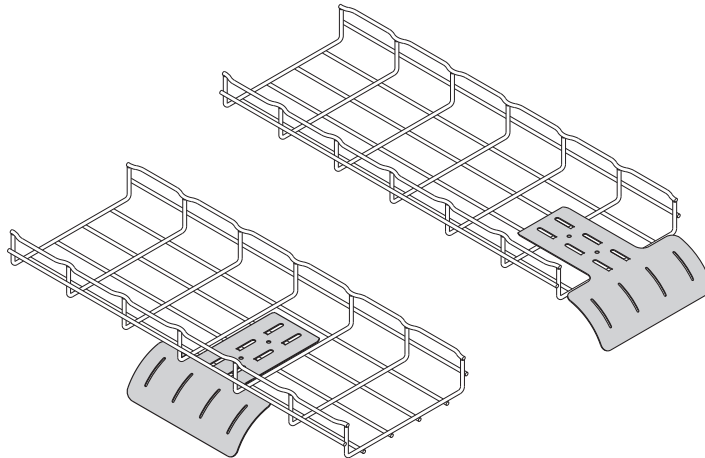


See page 44 for finish information

Drop Out Fitting

| Part Number | Description | Qty./Box | Wt./Box | |
|-------------------|------------------|----------|---------|------|
| | | | lbs. | kg |
| DROP OUT__ | Drop Out Fitting | 1 | 0.5 | 0.22 |

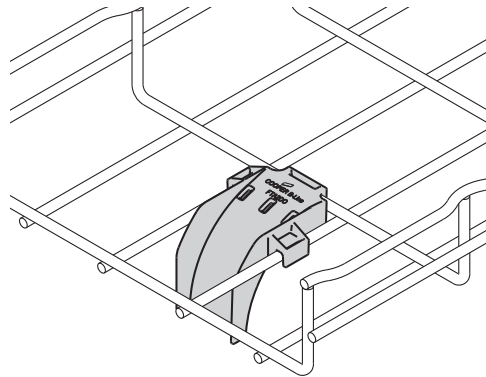
- Keeps cable radius secure at drop point
- For use with 4" (100mm) to 32" (800mm) wide trays
- Attaches to tray without hardware
- Drop outs can be attached at bottom, side or ends of tray
- Hold down tabs on bottom of drop out to secure tray (tabs not available on stainless steel drop out)
- Finishes __: **EG**, BLE



Cable Drop Out

| Part Number | Description | Qty./Box | Wt./Box | |
|---------------|----------------|----------|---------|------|
| | | | lbs. | kg |
| FTA2DO | Cable Drop Out | 10 | 0.17 | 0.08 |

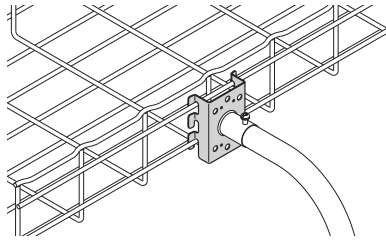
- Non-metallic 2" (50mm) radius Cable Drop-Out snap locks into mesh bottom and protects cables from sharp bend
- Material: Black Plenum-rated Plastic



See page 44 for finish information

Conduit Connector

- Conduit connector is designed to connect conduit to the side or bottom of Flextray
- Conduit bushing will remain outside of tray to keep cable pathway clear
- Bend tabs to secure connector to tray
- No hardware included
- Finishes __: **GLV**

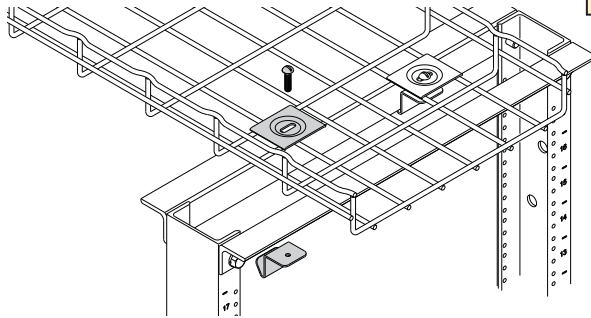


| Part Number | Description | Qty./Box | Wt./Box | |
|--------------------|----------------------------|----------|---------|------|
| | | | lbs. | kg |
| FTA050CC __ | 1/2" (15mm) Conduit Clip | 4 | 0.8 | 0.36 |
| FTA075CC __ | 3/4" (20mm) Conduit Clip | 4 | 1.0 | 0.45 |
| FTA100CC __ | 1" (25mm) Conduit Clip | 4 | 1.9 | 0.86 |
| FTA125CC __ | 1 1/4" (32mm) Conduit Clip | 4 | 2.6 | 1.18 |



Rack Clamp

- Securely holds tray down to rack
- Installs without drilling
- Black-painted finish to match rack
- Finish __: **BLE**

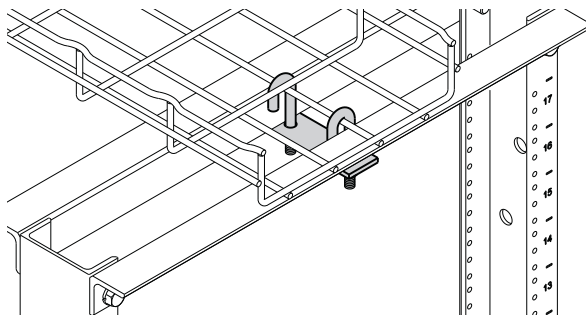


| Part Number | Description | Qty./Box | Wt./Box | |
|----------------------|-------------|----------|---------|------|
| | | | lbs. | kg |
| RACK CLAMP __ | Rack Clamp | 4 | 4.7 | 2.13 |



Adaptor Kit

- Adaptor kit includes all hardware necessary to connect Flextray system to top of relay rack at right angle or parallel position
- Finish __: **YZN (Yellow Zinc Chromate)**



| Part Number | Description | Qty./Box | Wt./Box | |
|------------------|-------------|----------|---------|------|
| | | | lbs. | kg |
| SB2204 __ | Adaptor Kit | 1 | 0.37 | 0.17 |

Adaptor Kit includes:

- (1) - Mounting Plate
- (2) - 5/16"-18 x 2" "J"-Bolts
- (2) - HN 5/16"-18 Hex Nuts
- (2) - LW 5/16" Lock Washers

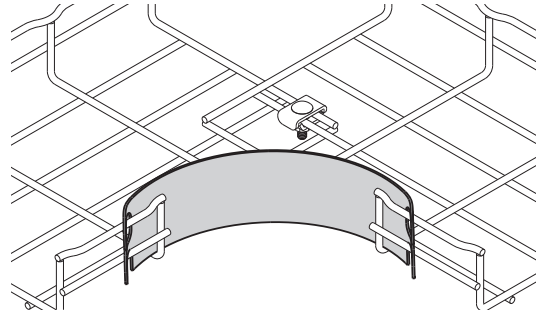
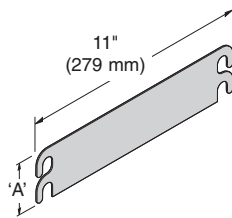


See page 44 for finish information

Radius Shield

| Part Number | Description | | Qty./Box | Wt./Box | |
|-------------|-------------|-----|----------|---------|-----|
| | in. | mm | | lbs. | kg |
| FTA2RS | 2.5 | 63 | 20 | 7.2 | 3.2 |
| FTA4RS | 4.3 | 110 | 20 | 12.3 | 5.5 |
| FTA6RS | 5.9 | 150 | 20 | 21.6 | 9.8 |

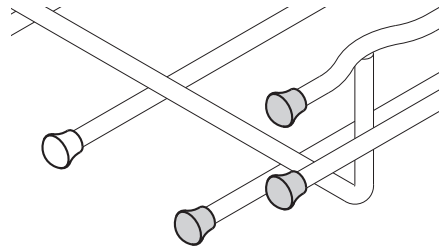
- Provides a smooth inside radius surface.
- No tools or fasteners needed to install.
- Sizes for 2", 4" & 6" deep Flextray; 90° horizontal bends, tees, and crosses.
- Installs in seconds. Simply hold in place and bend back tabs.
- Slick surface to reduce cable friction.
- Material: Black Polycarbonate



Rubber Cap

| Part Number | Box Quantity | Wt. Per 100 | |
|-------------|--------------|-------------|------|
| | | lbs. | kg |
| B719EB | 100 | 0.20 | 0.10 |

- Install on wire ends if required. Fits all wire diameters



Touch-Up Paint

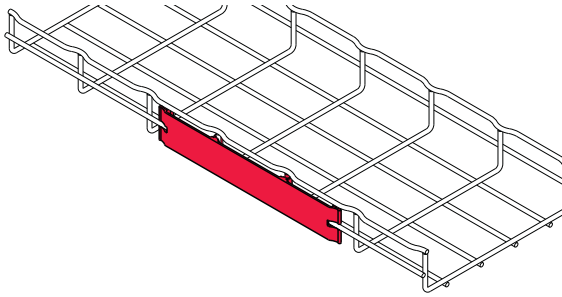
| Part Number | Color | Box Quantity | Wt. Per Pc. | |
|-------------|------------------------|--------------|-------------|------|
| | | | lbs. | kg |
| SB420ATG | Gray Lacquer | 1 | 0.9 | 0.41 |
| SB420AFB | Flat Black Lacquer | 1 | 0.9 | 0.41 |
| SB420ACW | Computer White Lacquer | 1 | 0.9 | 0.41 |
| B999 | Silver Zinc-Rich Paint | 1 | 0.9 | 0.41 |

- Size: 12 ounce aerosol can
- Cannot ship air freight

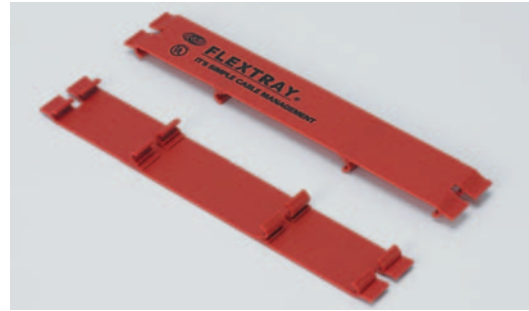
See page 44 for finish information

Label Clip

- Clips easily into trays
- Use for identifying your cable pathways
- Can be used on all tray sizes
- Will not fit on side of 1 1/2" deep Flextray
- Finish: Non-plenum-rated resins

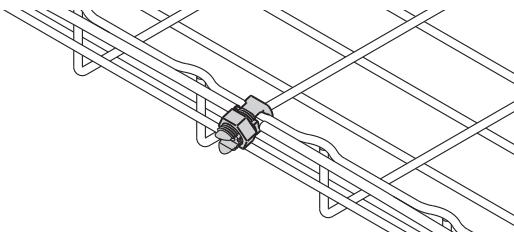


| Part Number | Description | Qty./Box | Wt./Box | |
|-------------------|----------------------|----------|---------|------|
| | | | lbs. | kg |
| LABEL CLIP | 10 1/2" (267mm) Long | 10 | 0.6 | 0.27 |



Ground Bolt

- Attaches up to #1 ground wire to each tray section when separate ground wire is required
- Used for UL grounding compliance.
- When using color powder coated finish or paint, coating must be removed at the points of contact.
- Finish: Copper Plated

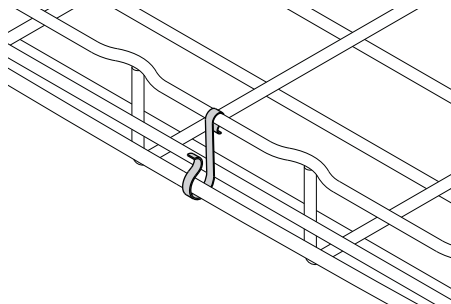


| Part Number | Description | Qty./Box | Wt./Box | |
|--------------------|-------------|----------|---------|------|
| | | | lbs. | kg |
| GROUND BOLT | Ground Bolt | 1 | 0.11 | 0.05 |



Ground Wire Supports

- Supports ground wire along side of tray
- Can be used on all trays
- Finish __: Zinc Plated



| Part Number | Description | Qty./Box | Wt./Box | |
|-----------------------|---------------------|----------|---------|------|
| | | | lbs. | kg |
| GROUND SUPT GL | Ground Wire Support | 100 | 0.6 | 0.27 |



See page 44 for finish information

- Complete source of hardware for ceiling connections
- Available in stock
- Strut can be purchased in pre-cut lengths and various colors
- All hardware is zinc plated

Threaded Rod



| Part Number | Size | Qty. | Wt./Qty. | |
|-------------|----------------------|------|----------|------|
| | | | lbs. | kg |
| ATR1/4x72 | 1/4" x 72" (1828mm) | 1 | 0.7 | 0.31 |
| ATR1/4x120 | 1/4" x 120" (3048mm) | 1 | 1.2 | 0.54 |
| ATR1/4x144 | 1/4" x 144" (3657mm) | 1 | 1.4 | 0.63 |
| ATR3/8x72 | 3/8" x 72" (1828mm) | 1 | 1.7 | 0.77 |
| ATR3/8x120 | 3/8" x 120" (3048mm) | 1 | 2.9 | 1.31 |
| ATR3/8x144 | 3/8" x 144" (3657mm) | 1 | 3.5 | 1.58 |
| ATR1/2x72 | 1/2" x 72" (1828mm) | 1 | 3.2 | 1.45 |
| ATR1/2x120 | 1/2" x 120" (3048mm) | 1 | 5.4 | 2.45 |
| ATR1/2x144 | 1/2" x 144" (3657mm) | 1 | 6.5 | 2.95 |

Lock Washers



| Part Number | Size | Qty. | Wt./Qty. | |
|-------------|------|------|----------|------|
| | | | lbs. | kg |
| 1/4LW | 1/4" | 200 | 0.6 | 0.27 |
| 3/8LW | 3/8" | 200 | 1.6 | 0.72 |
| 1/2LW | 1/2" | 200 | 2.0 | 0.91 |

Flat Washers



| Part Number | Size | Qty. | Wt./Qty. | |
|-------------|------|------|----------|------|
| | | | lbs. | kg |
| 1/4FW | 1/4" | 200 | 1.2 | 0.54 |
| 3/8FW | 3/8" | 200 | 3.0 | 1.36 |
| 1/2FW | 1/2" | 200 | 6.6 | 2.99 |

Rod Couplings



| Part Number | Size | Qty. | Wt./Qty. | |
|-------------|---------|------|----------|------|
| | | | lbs. | kg |
| B655-1/4 | 1/4"-20 | 50 | 2.0 | 0.91 |
| B655-3/8 | 3/8"-16 | 50 | 5.5 | 2.49 |
| B655-1/2 | 1/2"-13 | 50 | 6.0 | 2.72 |

Square Washers



| Part Number | Hole Size | Qty. | Wt./Qty. | |
|-------------|-----------|------|----------|------|
| | | | lbs. | kg |
| B201 | 7/16 | 50 | 6.0 | 2.72 |
| B202 | 9/16 | 50 | 7.0 | 3.17 |

Hex Nuts



| Part Number | Size | Qty. | Wt./Qty. | |
|-------------|---------|------|----------|------|
| | | | lbs. | kg |
| 1/4HN | 1/4"-20 | 100 | 0.6 | 0.27 |
| 3/8HN | 3/8"-16 | 100 | 1.6 | 0.72 |
| 1/2HN | 1/2"-13 | 100 | 4.3 | 1.95 |

Beam Clamps



| Part Number | Size | Qty. | Wt./Qty. | |
|-------------|---------|------|----------|------|
| | | | lbs. | kg |
| B3036L-3/8 | 3/8"-16 | 100 | 60.0 | 27.2 |
| B3036L-1/2 | 1/2"-13 | 100 | 140.0 | 63.5 |

See page 44 for finish information

Beam Clamps



| Part Number | Size | Qty. | Wt./Qty. | |
|-------------|---------|------|----------|-------|
| | | | lbs. | kg |
| B444-1/4 | 1/4"-20 | 100 | 160 | 72.5 |
| B444-3/8 | 3/8"-16 | 100 | 430 | 195.0 |
| B444-1/2 | 1/2"-13 | 100 | 430 | 195.0 |

U-Bolt Clamps



| Part Number | Size | Qty. | Wt./Qty. | |
|-------------|-----------------------|------|----------|------|
| | | | lbs. | kg |
| B441-22 | 3/8"-16 x 3 3/8" long | 100 | 160 | 72.5 |

Spring Nuts



| Part Number | Thread Size | Qty. | Wt./Qty. | |
|-------------|-------------|------|----------|------|
| | | | lbs. | kg |
| N224 | 1/4"-20 | 100 | 6.5 | 2.95 |
| N228 | 3/8"-16 | 100 | 9.3 | 4.22 |
| N225 | 1/2"-13 | 100 | 11.3 | 5.12 |

Bolted Framing



B22 B56

| Part Number | Channel Size | Qty. | Wt./Qty. | |
|--------------|-------------------------|------|----------|------|
| | | | lbs. | kg |
| B22SGALV120 | 1 5/8" x 120" - 12 ga. | 1 | 6.0 | 2.72 |
| B22SHGALV120 | 1 5/8" x 120" - 12 ga. | 1 | 6.0 | 2.72 |
| B56SGALV120 | 1 3/16" x 120" - 15 ga. | 1 | 7.0 | 3.17 |
| B56SHGALV120 | 1 3/16" x 120" - 15 ga. | 1 | 6.0 | 2.72 |

Concrete Rapid Rod Hanger



| Part Number | Rod Size | Shank Size | Qty. | Wt./Qty. | |
|-------------|----------|---------------|------|----------|------|
| | | | | lbs. | kg |
| ARC-37-150 | 3/8" | 1/4" x 1 1/2" | 100 | 3.4 | 1.54 |

Wood Rapid Rod Hanger



| Part Number | Rod Size | Shank Size | Qty. | Wt./Qty. | |
|--------------|----------|------------|------|----------|------|
| | | | | lbs. | kg |
| ARW-37-200 | 3/8" | 1/4" x 2" | 100 | 3.4 | 1.54 |
| ARW-37-200SW | 3/8" | 1/4" x 2" | 100 | 3.4 | 1.54 |

SW = Side Mount

Steel Rapid Rod Hanger



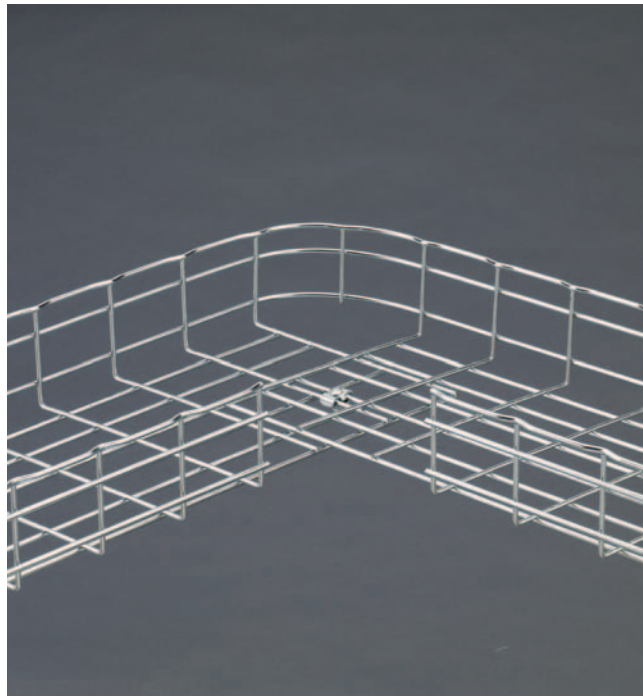
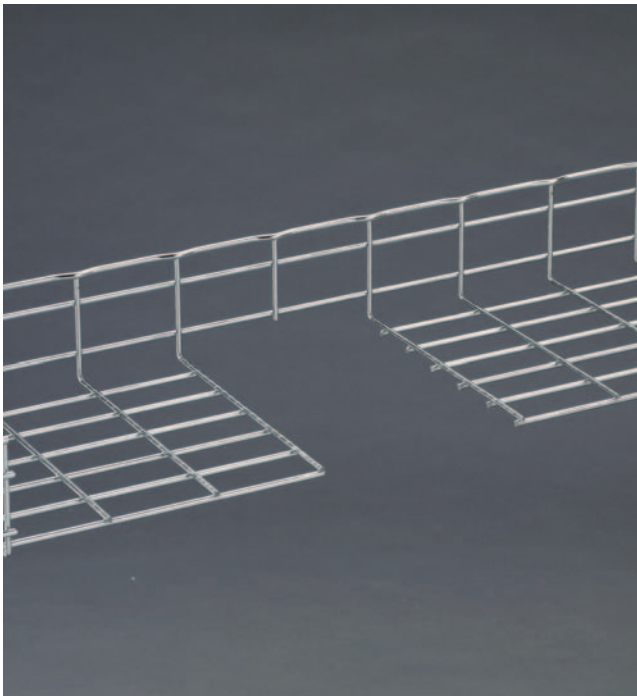
| Part Number | Rod Size | Shank Size | Qty. | Wt./Qty. | |
|--------------|----------|---------------|------|----------|------|
| | | | | lbs. | kg |
| ARS-37-150 | 3/8" | 1/4" x 1 1/2" | 100 | 3.4 | 1.54 |
| ARS-37-150SW | 3/8" | 1/4" x 1" | 100 | 3.4 | 1.54 |

SW = Side Mount

Sockets for Rapid Rod Hangers

| Part Number | Hole Size | Qty. | Wt./Qty. | |
|-------------|-------------------------------|------|----------|------|
| | | | lbs. | kg |
| 7187 | Universal Steel & Wood Socket | 1 | 4.5 | 2.04 |
| 7197 | 3/8" Concrete Socket | 1 | 4.5 | 2.04 |

See page 44 for finish information



Flextray Cutters

- Exclusive, patented Cleanshear™ cuts tray fast
- No sharp edges
- Designed specifically for cutting Flextray
- Safely cut and bend Flextray into any configuration

| Part Number | Description | Qty./Box | Wt./Box | |
|-------------------|-------------------------|----------|---------|------|
| | | | lbs. | kg |
| CLEANSHEAR | Cleanshear Cutting Tool | 1 | 4.3 | 1.95 |



Patented



1 Face tray up. Slide cutter next to vertical wire and cut.



2 Turn tray to the side with open side facing you. Repeat step 1 to cut wire.



3 Finish cutting all side wires.



4 Turn tray open-side down and cut wires from bottom of tray.

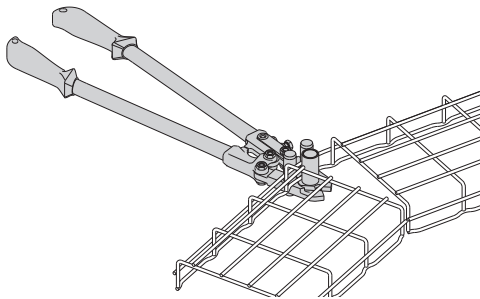


5 Finish cutting by moving to other side of tray to cut remaining wires,

- Cleanshear Bender has our exclusive bending attachment
- Makes bending larger trays easy
- Recommended for bending tray widths of 16" (400mm) or greater

Flextray Bender

| Part Number | Description | Qty./Box | Wt./Box | |
|------------------------|--|----------|---------|------|
| | | | lbs. | kg |
| CLEANSHEAR BEND | Cleanshear Cutting Tool With Bender Attachment | 1 | 5.4 | 2.45 |



Patented

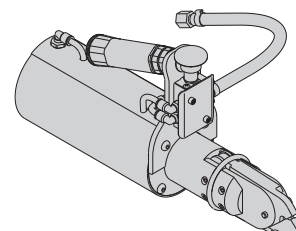


Airshear Cutter

- Fastest wire mesh cutter available
- 57% time savings over regular Cleanshear
- Airshear is available when you have a large project to install. Call us for details.

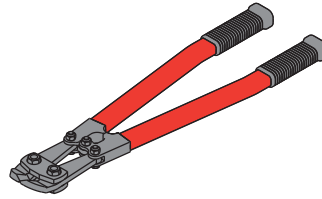
| Part Number | Description | Qty./Box | Wt./Box | |
|-----------------|-----------------------------------|----------|---------|------|
| | | | lbs. | kg |
| AIRSHEAR | Pneumatic Cleanshear Cutting Tool | 1 | 9.0 | 4.08 |

Patented

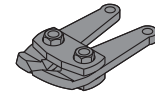


Angular Bolt Cutter

| Part Number | Description | Qty./Box | Wt./Box | |
|---------------|-------------------|----------|---------|-----|
| | | | lbs. | kg |
| WB30BC | Bolt Cutter | 1 | 6.8 | 3.1 |
| WB30RB | Replacement Blade | 1 | 1.3 | 0.6 |

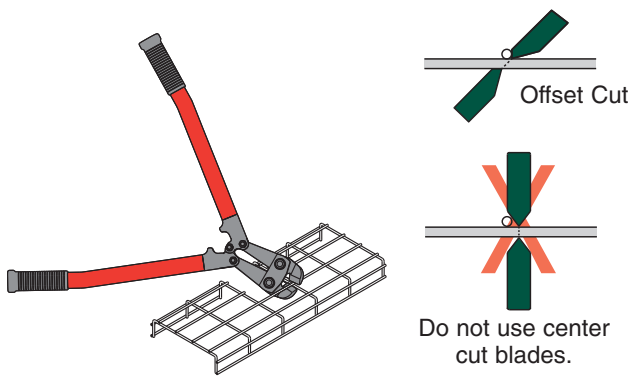


WB30BC
Angular Bolt Cutter



WB30RB
Replacement Blade

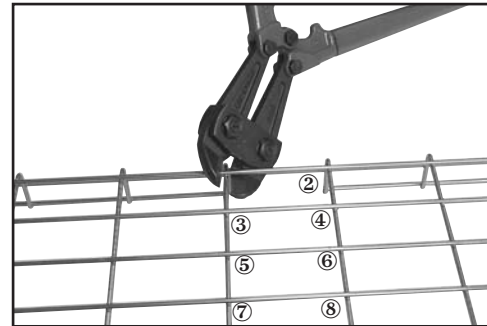
Completely adaptable, Cooper B-Line's Flextray is designed to accommodate jobsite changes. Cut wires with Cooper B-Line's Angular Bolt Cutter, bend to create a bend, tee, or reducer.



For the best results, use a WB30BC Angular Blade Offset Bolt Cutter with 24" (600 mm) long handles. The Offset Blade Cutter produces a clean cut. Position bolt cutter blades near the cross wire and perpendicular to wire to be cut (see illustration above). Proper cut will make the assembly faster, easier and safer while minimizing grinding.

Cut and remove each wire as illustrated below. Follow cutting pattern and blade positioning. Placing Flextray open side down provides the optimum cutting angle.

Cutting Order



| Part Number | Length | | Wt. Per Cutter | | Box Quantity |
|---------------|----------------------------------|-----|----------------|-----|--------------|
| | in. | mm | lbs. | kg | |
| WB50WC | 12 ³ / ₄ " | 325 | 3.0 | 1.3 | 1 |

| Part Number | Description | Box Quantity |
|---------------|---------------------|--------------|
| WB50RB | Replacement Blade | 1 |
| WB50BA | Replacement Battery | 1 |

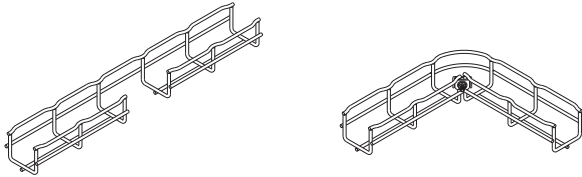
The Greenlee cable wire cutter makes flush cuts without burrs. Will cut .191" diameter wire in 2 seconds. Cutting head rotates 330° for ease of positioning and the tool automatically retracts when cut is complete. Comes with 2 batteries, charger, and carrying case. Approximately 250 cuts per charge.



See page 44 for finish information

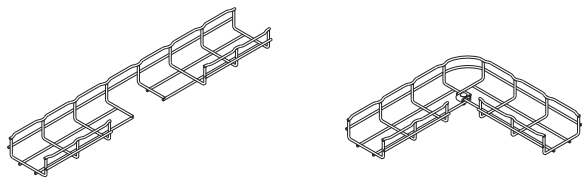
90° Horizontal Bends (Short Radius)

- Make your own field cut horizontal bends using Clearshear™ to make safe, smooth cuts
- Can be made from any tray width and depth with any available finish
- SUPT WASHER & FTHDWE 1/4 hardware may be used on bottom of tray instead of WASHER SPL KIT where desired



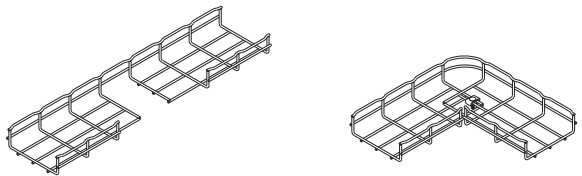
2" (50mm) Tray Width

| Flextray Depth | Required Hardware Description | Quantity |
|----------------|-------------------------------|----------|
| 2" (50mm) | WASHER SPL KIT | 1 |



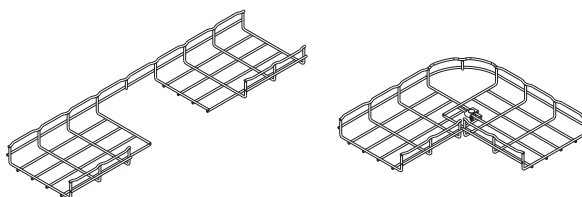
4" (100mm) Tray Width

| Flextray Depth | Required Hardware Description | Quantity |
|----------------|-------------------------------|----------|
| 1 1/2" (38mm) | WASHER SPL KIT | 1 |
| 2" (50mm) | WASHER SPL KIT | 1 |
| 4" (100mm) | WASHER SPL KIT | 1 |



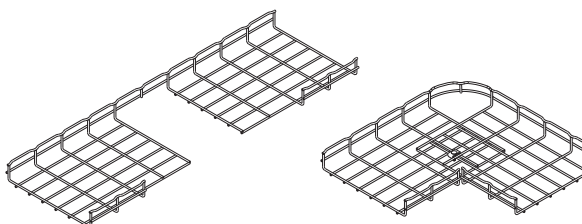
6" (150mm) Tray Width

| Flextray Depth | Required Hardware Description | Quantity |
|----------------|-------------------------------|----------|
| 1 1/2" (38mm) | WASHER SPL KIT | 1 |
| 2" (50mm) | WASHER SPL KIT | 1 |
| 4" (100mm) | WASHER SPL KIT | 1 |



8" (200mm) Tray Width

| Flextray Depth | Required Hardware Description | Quantity |
|----------------|-------------------------------|----------|
| 1 1/2" (38mm) | WASHER SPL KIT | 1 |
| 2" (50mm) | WASHER SPL KIT | 1 |
| 4" (100mm) | WASHER SPL KIT | 1 |
| 6" (150mm) | WASHER SPL KIT | 1 |



12" (300mm) Tray Width

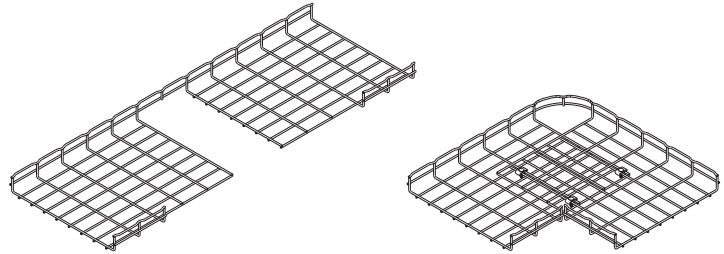
| Flextray Depth | Required Hardware Description | Quantity |
|----------------|-------------------------------|----------|
| 1 1/2" (38mm) | WASHER SPL KIT | 1 |
| 2" (50mm) | WASHER SPL KIT | 1 |
| 4" (100mm) | WASHER SPL KIT | 1 |
| 6" (150mm) | WASHER SPL KIT | 1 |

90° Horizontal Bends (Short Radius)

- Make your own field cut horizontal bends using Clearshear™ to make safe, smooth cuts
- Can be made from any tray width and depth with any available finish
- SUPT WASHER & FTHDWE 1/4 hardware may be used on bottom of tray instead of WASHER SPL KIT where desired

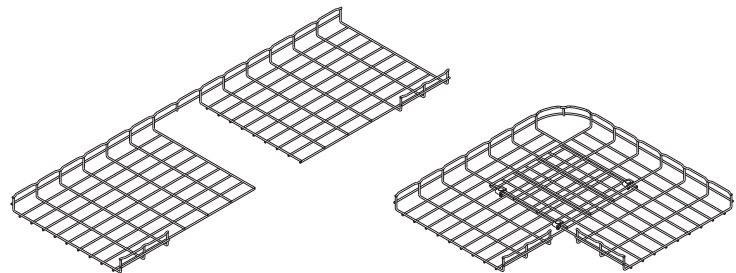
16" (400mm) Tray Width

| Flextray Depth | Required Hardware Description | Quantity |
|----------------|-------------------------------|----------|
| 2" (50mm) | WASHER SPL KIT | 3 |
| 4" (100mm) | WASHER SPL KIT | 3 |
| 6" (150mm) | WASHER SPL KIT | 3 |



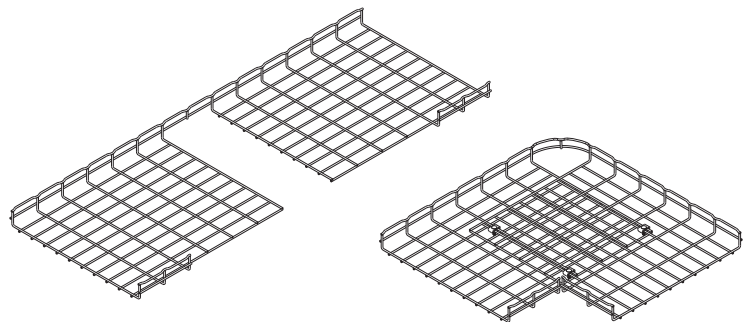
18" (450mm) Tray Width

| Flextray Depth | Required Hardware Description | Quantity |
|----------------|-------------------------------|----------|
| 2" (50mm) | WASHER SPL KIT | 3 |
| 4" (100mm) | WASHER SPL KIT | 3 |
| 6" (150mm) | WASHER SPL KIT | 3 |



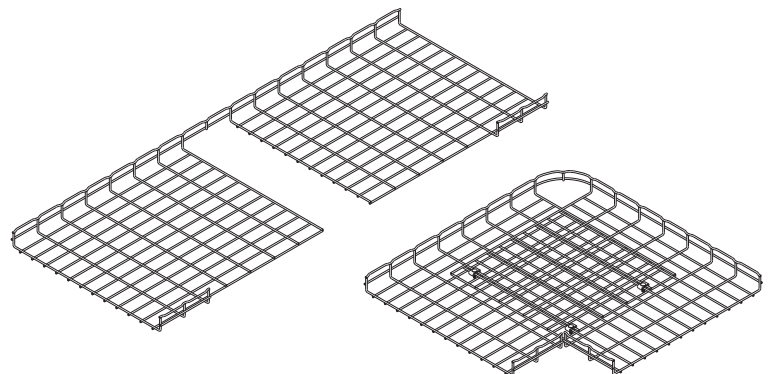
20" (500mm) Tray Width

| Flextray Depth | Required Hardware Description | Quantity |
|----------------|-------------------------------|----------|
| 2" (50mm) | WASHER SPL KIT | 3 |
| 4" (100mm) | WASHER SPL KIT | 3 |
| 6" (150mm) | WASHER SPL KIT | 3 |



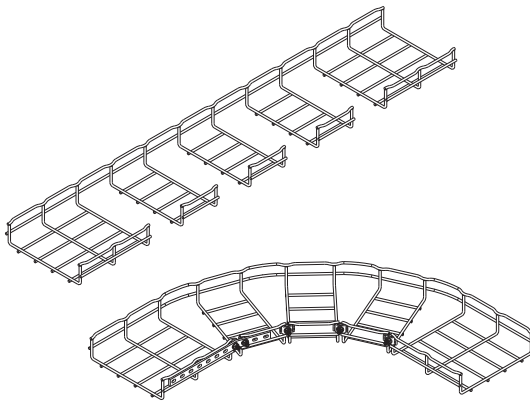
24" (600mm) Tray Width

| Flextray Depth | Required Hardware Description | Quantity |
|----------------|-------------------------------|----------|
| 2" (50mm) | WASHER SPL KIT | 3 |
| 4" (100mm) | WASHER SPL KIT | 3 |
| 6" (150mm) | WASHER SPL KIT | 3 |



90° Horizontal Bends (Long Radius)

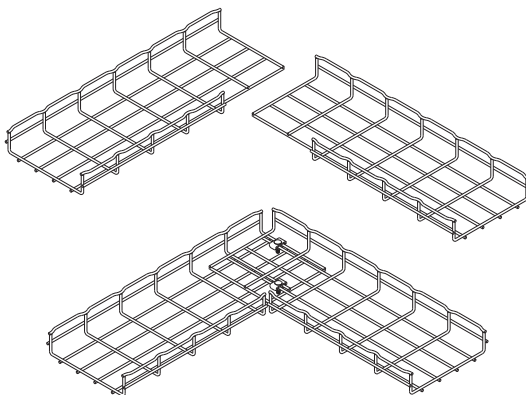
- Make your own field cut horizontal sweeps using Clearshear™ to make safe, smooth cuts
 - Can be made from any tray width and depth with any available finish
 - Cut as many Segments as required to control sweep radius (use chart for recommendations)
 - One (1) WASHER SPL KIT is required to connect each cut segment minus one, this segment uses one (1) SPLICE BAR, two (2) FTHDWE 1/4 and two (2) BTM WASHER
- Illustration shown below is for a 8" (200mm) width
 - 1.5" deep Flextray has only one (1) side wire
 - 2" deep Flextray has two (2) side wires - shown
 - 4" deep Flextray has three (3) side wires
 - 6" deep Flextray has four (4) side wires



| Flextray Width | Segments To Be Removed | Component Qty. | | |
|----------------|------------------------|----------------|-------------------------|------------|
| | | WASHER SPL KIT | FTHDWE 1/4 & BTM WASHER | SPLICE BAR |
| 4" (100mm) | 2 | 1 | 2 | 1 |
| 6" (150mm) | 3 | 2 | 2 | 1 |
| 8" (200mm) | 4 | 3 | 2 | 1 |
| 12" (300mm) | 6 | 5 | 2 | 1 |
| 16" (400mm) | 7 | 6 | 2 | 1 |
| 18" (450mm) | 8 | 7 | 2 | 1 |
| 20" (500mm) | 10 | 9 | 2 | 1 |
| 24" (600mm) | 11 | 10 | 2 | 1 |
| 30" (750mm) | 13 | 12 | 2 | 1 |
| 32" (800mm) | 13 | 12 | 2 | 1 |

90° Horizontal Bend From (2) Straight Sections

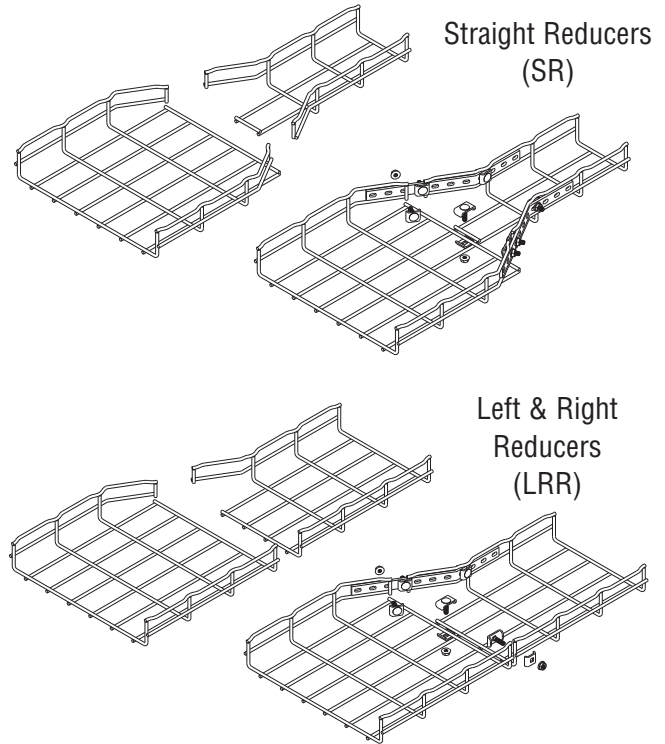
- Cut required number of wire side sections listed in chart per the illustration below (Illustration is for a 8" (200mm) width)
- 1.5" deep Flextray has only one (1) side wire
- 2" deep Flextray has two (2) side wires - shown
- 4" deep Flextray has three (3) side wires
- 6" deep Flextray has four (4) side wires



| Flextray Width | Side Sections To Be Removed | WASHER SPL KIT Qty. |
|----------------|-----------------------------|---------------------|
| 4" (100mm) | 1 | 2 |
| 6" (150mm) | 2 | 2 |
| 8" (200mm) | 2 | 2 |
| 12" (300mm) | 3 | 2 |
| 16" (400mm) | 4 | 3 |
| 18" (450mm) | 5 | 3 |
| 20" (500mm) | 5 | 3 |
| 24" (600mm) | 6 | 4 |
| 30" (750mm) | 8 | 4 |
| 32" (800mm) | 8 | 4 |

Reducers

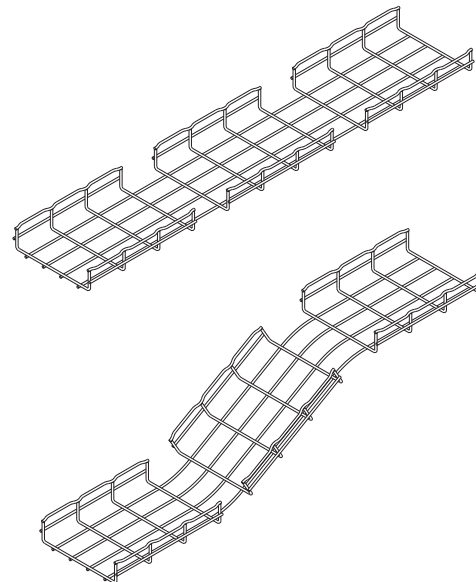
| Large Flextray Width | WASHER SPL KIT | | Component Qty. FTHDWE 1/4 & BTM WASHER | | SPLICE BAR | |
|----------------------|----------------|-------|--|-------|------------|-------|
| | (SR) | (LRR) | (SR) | (LRR) | (SR) | (LRR) |
| 4" (100mm) | - | 1 | - | 2 | - | 1 |
| 6" (150mm) | - | 2 | - | 2 | - | 1 |
| 8" (200mm) | 1 | 2 | 4 | 2 | 2 | 1 |
| 12" (300mm) | 2 | 3 | 4 | 2 | 2 | 1 |
| 16" (400mm) | 2 | 3 | 4 | 2 | 2 | 1 |
| 18" (450mm) | 2 | 3 | 4 | 2 | 2 | 1 |
| 20" (500mm) | 3 | 3 | 4 | 2 | 2 | 1 |
| 24" (600mm) | 3 | 3 | 4 | 2 | 2 | 1 |
| 30" (750mm) | 3 | 3 | 4 | 2 | 2 | 1 |
| 32" (800mm) | 3 | 3 | 4 | 2 | 2 | 1 |



- 1.5" deep Flextray has only one (1) side wire
- 2" deep Flextray has two (2) side wires - shown
- 4" deep Flextray has three (3) side wires
- 6" deep Flextray has four (4) side wires

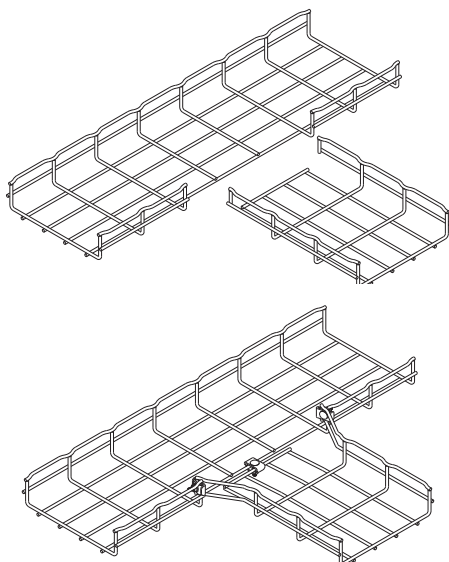
Vertical Inside & Outside Bends

- Cut wire section as shown and bend to desired angle
- 1.5" deep Flextray has only one (1) side wire
- 2" deep Flextray has two (2) side wires - shown
- 4" deep Flextray has three (3) side wires
- 6" deep Flextray has four (4) side wires



Horizontal Tees (and crosses)

- Cut wire side sections as shown in the illustration below (Illustration is for a 8" (200mm) width)
- 1.5" deep Flextray has only one (1) side wire
- 2" deep Flextray has two (2) side wires - shown
- 4" deep Flextray has three (3) side wires
- 6" deep Flextray has four (4) side wires
- For crosses, duplicate process on opposite side

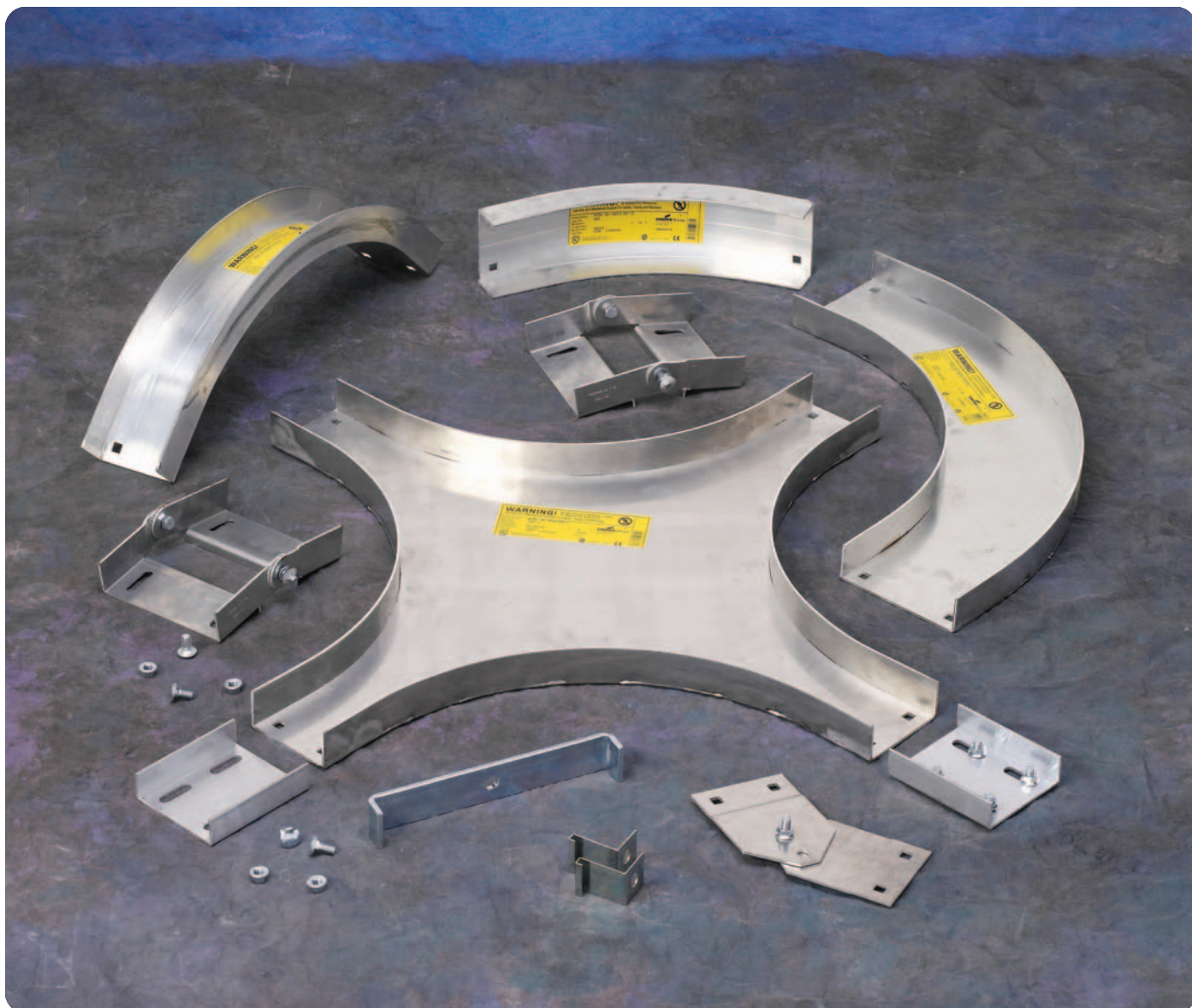


| Flextray Width | WASHER SPL KIT Qty. |
|----------------|---------------------|
| 2" (50mm) | 2 |
| 4" (100mm) | 2 |
| 6" (150mm) | 3 |
| 8" (200mm) | 3 |
| 12" (300mm) | 4 |
| 16" (400mm) | 4 |
| 18" (450mm) | 4 |
| 20" (500mm) | 4 |
| 24" (600mm) | 4 |
| 30" (750mm) | 5 |
| 32" (800mm) | 5 |

Channel Cable Tray - Straight Sections



Cable Channel



How The Service Advisor Works

B-Line knows that your time is important! That's why the color-coding system in this catalog is designed to help you select products that fit your service needs. Products are marked to indicate the typical lead time for orders of 50 pieces or less.

Customer: How do I select my cable channel product so that I get the quickest turnaround?

Service Advisor: Each part of our selection chart is shown in colors. If any section of a part number is a different color, the part will typically ship with the longer lead time represented by the colors.

- Green = Fastest shipped items
- Black = Normal lead-time items
- Red = Normally long lead-time items

Example:

A **CC** **03** - **144**
● ● ● ●

Part will have a normal lead time because of the 03 width.

Changing the part number to 04 width instead of 03 will reduce the lead time.

Channel Cable Tray - Straight Sections

Straight Section Part Numbering

Prefix
Example: **A CC - 04 - 120**

Material

- **A** = Aluminum 6063-T4
- **G** = Type 1 - HDGAF
- **P** = Type 2 - Pre-Galvanized
- **SS4** = 304 Stainless Steel
- **SS6** = 316 Stainless Steel

Type

- **CC** = Ventilated Cable Channel
- **CCN** = Non-Ventilated Cable Channel

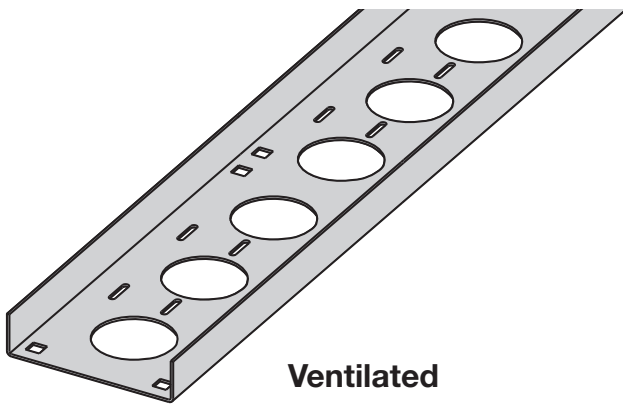
Width

- **03** = 3"
- **04** = 4"
- **06** = 6"

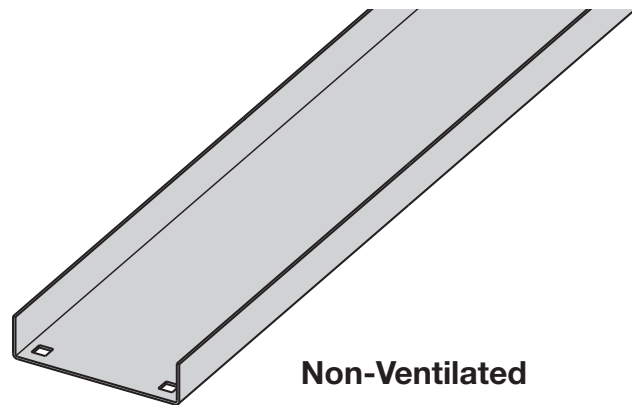
Length

- **① 144** = 12 ft.
 - **② 120** = 10 ft.
- ① Primary Length.
② Secondary Length.

See page 39 for explanation of lengths.



Ventilated



Non-Ventilated

Ventilated straight sections contain 2¹/₄" diameter holes and 3³/₁₆" x 7⁷/₈" slots for cable attachment. Ventilated straight sections also have splice holes repeating every 12" to simplify field modifications.

| Material Type | Width in. | Depth in. | UL Area in. ² | Load Data * Safety Factor = 1.5 | Support Span (Ft) | | | | Load Data * Safety Factor = 1.5 | Support Span (m) | | | |
|-------------------|------------|--------------|--------------------------|------------------------------------|-------------------|--------|-------|-------|------------------------------------|------------------|-------|-------|--------|
| | | | | | 5 | 6 | 10 | 12 | | 1.5 | 1.8 | 3.0 | 3.7 |
| Aluminum | 3 (75) | 1.25 (32) | 0.6 | Load (lbs/ft) | 22 | 15 | 5 | 4 | Load (kg/m) | 33 | 22 | 7 | 6 |
| | | | | Deflection Multiplier | 0.025 | 0.051 | 0.395 | 0.820 | Deflection Multiplier | .427 | 0.871 | 6.743 | 13.997 |
| | 4 (100) | 1.75 (44) | 0.6 | Load (lbs/ft) | 48 | 33 | 12 | 8 | Load (kg/m) | 71 | 49 | 18 | 12 |
| | | | | Deflection Multiplier | 0.0071 | 0.015 | 0.114 | 0.236 | Deflection Multiplier | 0.121 | 0.256 | 1.946 | 4.028 |
| | 6 (150) | 1.75 (44) | 1.00 | Load (lbs/ft) | 52 | 36 | 13 | 9 | Load (kg/m) | 77 | 54 | 19 | 13 |
| | | | | Deflection Multiplier | 0.0055 | 0.011 | 0.088 | 0.183 | Deflection Multiplier | 0.094 | 0.188 | 1.502 | 3.124 |
| Steel 14 Gauge | 3 (75) | 1.25 (32) | 0.20 | Load (lbs/ft) | 24 | 17 | 6 | 4 | Load (kg/m) | 36 | 25 | 9 | 6 |
| | | | | Deflection Multiplier | 0.013 | 0.028 | 0.216 | 0.447 | Deflection Multiplier | 0.222 | 0.478 | 3.687 | 7.630 |
| | 4 (100) | 1.75 (44) | 0.40 | Load (lbs/ft) | 52 | 36 | 13 | 9 | Load (kg/m) | 77 | 54 | 19 | 13 |
| | | | | Deflection Multiplier | 0.0039 | 0.0082 | 0.063 | 0.130 | Deflection Multiplier | 0.067 | 0.140 | 1.075 | 2.219 |
| | 6 (150) | 1.75 (44) | 0.40 | Load (lbs/ft) | 59 | 41 | 15 | 10 | Load (kg/m) | 88 | 61 | 22 | 15 |
| | | | | Deflection Multiplier | 0.003 | 0.0063 | 0.049 | 0.101 | Deflection Multiplier | 0.051 | 0.108 | 0.836 | 1.724 |

To calculate simple Beam Deflection in inches, multiply the design load (lbs/ft) by the Deflection Multiplier shown for the span.
To calculate simple Beam Deflection in millimeters, multiply the design load (kg/m) by the Deflection Multiplier shown for the span.
All dimensions in parentheses are millimeters unless otherwise specified.

* Load data is determined by realistic deflection, not by failure.

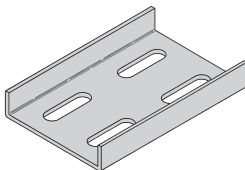
- Green = Fastest shipped items
- Black = Normal lead-time items
- Red = Normally long lead-time items

Channel Cable Tray - Accessories

Splice Plate

The Splice Plate has the standard 4-hole pattern for all cable channel.

- Provided with straight sections and fittings.
- Furnished as one plate with hardware.
- (*) Insert **A** **G** **P** **SS4** **SS6**

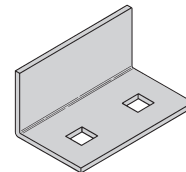


| Catalog No. | Channel Width | |
|-------------|---------------|-----|
| | in. | mm |
| 9(*)-1043 | 3 | 76 |
| 9(*)-1044 | 4 | 101 |
| 9(*)-1044-6 | 6 | 152 |

Blind End Plate

The Blind End Plate forms a closure for any cable channel dead end.

- Furnished as one plate with hardware.
- (*) Insert **A** **G** **P** **SS4** **SS6**

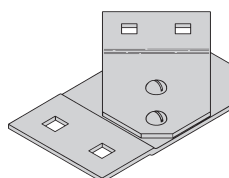


| Catalog No. | Channel Width | |
|-------------|---------------|-----|
| | in. | mm |
| 9(*)-1583 | 3 | 76 |
| 9(*)-1584 | 4 | 101 |
| 9(*)-1586 | 6 | 152 |

Horizontal Adjustable Splice Plate

The Horizontal Adjustable Splice Plate adapts to changes in direction in a horizontal plane, beyond the capability of the standard horizontal fittings.

- Furnished as one plate with hardware.
- (*) Insert **A** **G** **P** **SS4** **SS6**



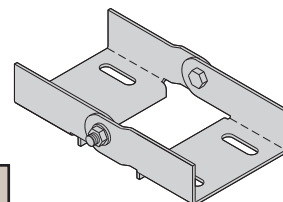
Requires supports within 24" on both sides, per NEMA VE 2.

| Catalog No. | Channel Width | |
|-------------|---------------|-----|
| | in. | mm |
| 9(*)-1743 | 3 | 76 |
| 9(*)-1744 | 4 | 101 |
| 9(*)-1746 | 6 | 152 |

Vertical Adjustable Splice Plate

The Adjustable Splice Plate allows changes in elevation where standard vertical fittings are not applicable.

- Furnished as one plate with hardware.
- (*) Insert **A** **G** **P** **SS4** **SS6**



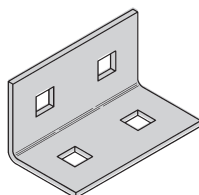
Requires supports within 24" on both sides, per NEMA VE 2.

| Catalog No. | Channel Width | |
|-------------|---------------|-----|
| | in. | mm |
| 9(*)-1643 | 3 | 76 |
| 9(*)-1644 | 4 | 101 |
| 9(*)-1646 | 6 | 152 |

Box Connector

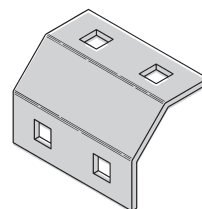
The Box Connector is used to attach the end of a cable channel run to a distribution box or a control center.

- Furnished as one connector with hardware.
- (*) Insert **A** **G** **P** **SS4** **SS6**



| Catalog No. | Channel Width | |
|-------------|---------------|-----|
| | in. | mm |
| 9(*)-1543 | 3 | 76 |
| 9(*)-1544 | 4 | 101 |
| 9(*)-1546 | 6 | 152 |

Channel To Tray or Channel To Channel Connector



Channel to Channel

Channel to Tray



| Catalog No. | Channel Width | |
|-------------|---------------|-----|
| | in. | mm |
| 9(*)-1261-3 | 3 | 76 |
| 9(*)-1261-4 | 4 | 101 |
| 9(*)-1261-6 | 6 | 152 |

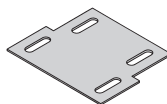
The Channel Connector is used to link a cable channel to a cable tray, or a cable channel to cable channel.

- Furnished as one plate with hardware.
- (*) Insert **A** **G** **P** **SS4** **SS6**

Channel Reducer Plate

The Channel Reducer Plate is used to join cable channel sections of different widths.

- Furnished as one plate with hardware.
- (*) Insert **A** **G** **P** **SS4** **SS6**

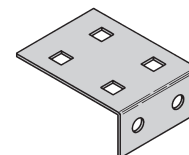


| Catalog No. | Channel Width | |
|-------------|---------------|------------|
| | in. | mm |
| 9(*)-1843 | 4 to 3 | 101 to 76 |
| 9(*)-1863 | 6 to 3 | 152 to 76 |
| 9(*)-1864 | 6 to 4 | 152 to 101 |

Mounting Bracket - Channel To Tray

The Mounting Bracket allows a parallel run of cable channel to be attached to the side of a cable tray. It can also serve as a support splice connection.

- Furnished as one bracket.
- Order hardware separately.
- (*) Insert **A** **G** **ZN** **SS4** **SS6**



| Catalog No. | Channel Width | |
|-------------|---------------|-----|
| | in. | mm |
| 9(*)-1237-3 | 3 | 76 |
| 9(*)-1237-4 | 4 | 101 |
| 9(*)-1237-6 | 6 | 152 |



All dimensions in shaded areas are millimeters unless otherwise specified.

● Green = Fastest shipped items ● Black = Normal lead-time items ● Red = Normally long lead-time items

Channel Cable Tray - Accessories

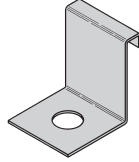
Expansion Guide Clamp

The Expansion Guide Clamp allows cable channel to expand and contract in the horizontal plane, but not in the transverse plane.

- Furnished as one clamp.
- Order 1/2" hardware separately.
- (*) Insert **A** **G** **ZN** **SS4** **SS6**



| Catalog No. | Channel Width | |
|-------------|---------------|-----|
| | in. | mm |
| 9(*)-1243 | 3 | 76 |
| 9(*)-1244 | 4 | 101 |
| 9(*)-1244 | 6 | 152 |



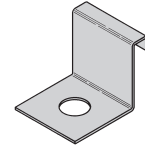
Hold-Down Clamp

The Hold-Down Clamp secures cable channel to a support member.

- Furnished as one clamp.
- Order 1/2" hardware separately.
- (*) Insert **A** **G** **ZN** **SS4** **SS6**



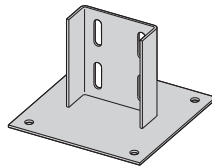
| Catalog No. | Channel Width | |
|-------------|---------------|-----|
| | in. | mm |
| 9(*)-1245 | 3 | 76 |
| 9(*)-1246 | 4 | 101 |
| 9(*)-1246 | 6 | 152 |



Channel To Floor Base Plate

The Channel to Floor Base Plate is used to attach the end of a cable channel run to the floor or to an equipment mounting pad.

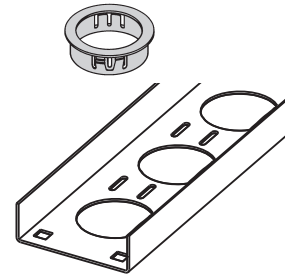
- Anchors and hardware are ordered separately.
- (*) Insert **A** **G** **ZN** **SS4** **SS6**



| Catalog No. | Channel Width | |
|-------------|---------------|-----|
| | in. | mm |
| 9(*)-3305-3 | 3 | 76 |
| 9(*)-3305-4 | 4 | 101 |
| 9(*)-3305-6 | 6 | 152 |

Cable Channel Bushing

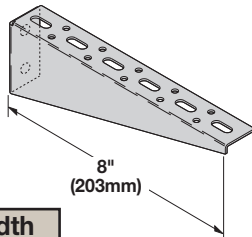
The Cable Channel Bushing is a snap-in plastic bushing used to protect cable insulation from mechanical wear.



| | |
|-------------|---------|
| Catalog No. | 99-1125 |
|-------------|---------|

Cable Channel Bracket

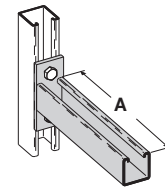
- Uniform Load: 225 lbs (1.00 kN)
Safety Factor of 2.5
- Finishes available: **ZN** **G**



| Catalog No. | Channel Width | |
|-------------|---------------|-----|
| | in. | mm |
| B185CCL | 3 | 76 |
| | 4 | 101 |
| | 6 | 152 |

Cable Channel Bracket

- Safety Factor of 2.5
- Finishes available: **ZN** **G** **GRN**

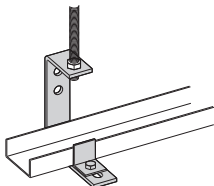


| Catalog No. | Channel Width | | Uniform Load | | A | |
|-------------|---------------|----------|--------------|------|-----|-----|
| | in. | mm | lbs | kN | in. | mm |
| B409-6 | 3 | 76 | 1920 | 8.54 | 6 | 152 |
| B409-9 | 4, 6 | 101, 152 | 1280 | 5.69 | 9 | 228 |

Cable Channel Hanger

Designed for 1/2" Threaded Rod, Double Nut Installation

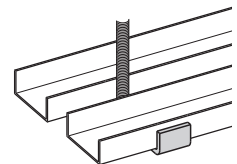
Single Cable Channel Hanger and Wall Mount



150 lb.
Safety Factor 3.0

| Material | Channel Width | | | | | |
|----------------------|------------------|------------------|------------------|------------------|--------------|--------------|
| | in. | mm | in. | mm | in. | mm |
| Zinc Plated Steel | | | | | | |
| Double Channel | ● 9ZN-1232-3 | ● 9ZN-1231-3 & 4 | ● 9ZN-1232-4 | ● 9ZN-1231-3 & 4 | ● 9ZN-1232-6 | ● 9ZN-1231-6 |
| Single Channel | ● 9ZN-1231-3 & 4 | ● 9ZN-1231-3 & 4 | ● 9ZN-1231-3 & 4 | ● 9ZN-1231-3 & 4 | ● 9ZN-1231-6 | ● 9ZN-1231-6 |
| HDGAF Steel (18 Ga.) | | | | | | |
| Double Channel | ● 9G-1232-3 | ● 9G-1231-3 & 4 | ● 9G-1232-4 | ● 9G-1231-3 & 4 | ● 9G-1232-6 | ● 9G-1231-6 |
| Single Channel | ● 9G-1231-3 & 4 | ● 9G-1231-3 & 4 | ● 9G-1231-3 & 4 | ● 9G-1231-3 & 4 | ● 9G-1231-6 | ● 9G-1231-6 |

Double Cable Channel Hanger



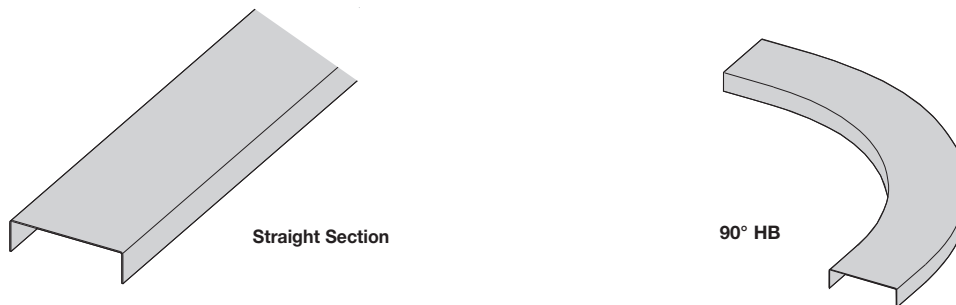
265 lb.
Safety Factor 3.0

All dimensions in shaded areas are millimeters unless otherwise specified.

● Green = Fastest shipped items ● Black = Normal lead-time items ● Red = Normally long lead-time items

Channel Cable Tray - Accessories

Cable Channel Covers



Covers Part Numbering

Prefix
Example: **80 8 A 40 - 04 - 144**

| Cover Type | Detail | Material | Material Thickness | Tray Width | Item Description |
|------------|-------------|---|--|---|---|
| 80 = Solid | 8 = Flanged | <ul style="list-style-type: none"> ● A = Aluminum ● G = Type 1 HDGAF ● P = Type 2 Pre-Galvanized ● SS4 = 304 Stainless Steel ● SS6 = 316 Stainless Steel | <ul style="list-style-type: none"> 40 = .040 Aluminum 20 = 20 Gauge Pre-Galvanized, Gauge SS4 and SS6 18 = 18 Gauge HDGAF | <ul style="list-style-type: none"> ● 03 = 3" ● 04 = 4" ● 06 = 6" | For Straight Section Cover: Pre-Galv & Aluminum Only: 144 = 12 ft. 120 = 10 ft. Pre-Galv, HDGAF & Alum 72 = 6 ft. 60 = 5 ft. For fitting covers: Insert suffix of fitting to be covered. |

All items normal lead time except for those indicated

| Straight Section Part Number Material | Length | Channel Width | | | | | | | |
|--|---|--------------------------------|--------------------------------|--------------------------------|------------------------------|-----|-----|----|--|
| | | in. | | mm | | in. | | mm | |
| ● Aluminum (.040) Solid | | 3 | 76 | 4 | 101 | 6 | 152 | | |
| | 12' (3.56m) 10' (3.05m) | 808A40-03-144 808A40-03-120 | 808A40-04-144 808A40-04-120 | 808A40-06-144 808A40-06-120 | | | | | |
| ● Type II Pre-Galvanized Steel (20 Ga.) Solid | 12' (3.56m) 10' (3.05m) | 808P20-03-144 808P20-03-120 | 808P20-04-144 808P20-04-120 | 808P20-06-144 808P20-06-120 | | | | | |
| | ● Type I Hot Dip Galvanized Steel (18 Ga.) Solid | 12' (3.56m) 10' (3.05m) | 808G18-03-72 808G18-03-60 | 808G18-04-72 808G18-04-60 | 808G18-06-72 808G18-06-60 | | | | |

Fitting covers are available. To order, use the cover prefix followed by the fitting description. Ex: 808A40 - 03 - 90HB12.

Wrap-Around Cover Clamp

Wrap-Around Cover Clamps are used to securely hold a cover on cable channel in locations where strong winds can prevail.

- Furnished as one clamp with hardware.
- (*) Insert **A G P SS4 SS6**

| Catalog No. | Channel Width | |
|-------------|---------------|-----|
| | in. | mm |
| 9(*)-9033 | 3 | 76 |
| 9(*)-9034 | 4 | 101 |
| 9(*)-9036 | 6 | 152 |

Combination Hold-Down & Cover Clamp

This clamp is used to hold both the cable channel and cover in place at the same time.

- Furnished as one clamp.
- Order 1/4" hardware separately.
- (*) Insert **A G P SS6**

| Catalog No. | Channel Width | |
|-------------|---------------|-----|
| | in. | mm |
| 9(*)-9023 | 3 | 76 |
| 9(*)-9024 | 4 | 101 |
| 9(*)-9024 | 6 | 152 |

All dimensions in shaded areas are millimeters unless otherwise specified.

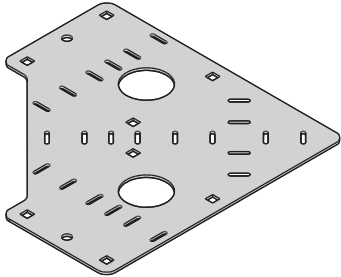
● Green = Fastest shipped items ● Black = Normal lead-time items ● Red = Normally long lead-time items

Channel Cable Tray - Accessories

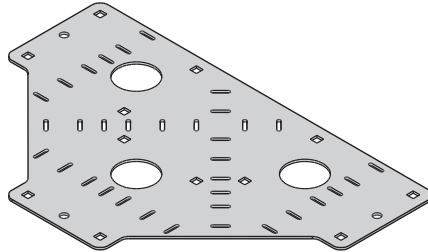
Channel Cable Tray Connectors

Fast, economical, space saving Channel Cable Tray Connectors
 Patent No. 5,628,481; 5,782,439. Other patents pending.

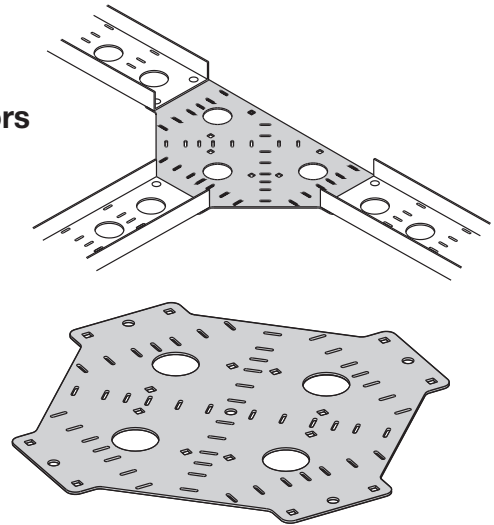
Horizontal:



90° Bend

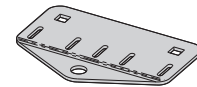


Tee



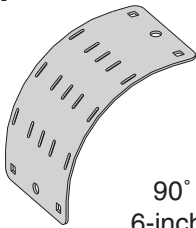
Cross

- Provides 0 or 6-inch radius connection for Cable Channel
- The Pivot Connector is available for custom angle adjustment
 - up to +/- 45° angle adjustment
 - order the desired quantity separately
- Slotted for easy cable fastening
- Shipped with the required hardware

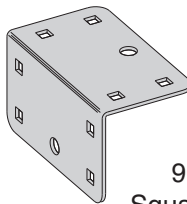


Pivot Connector

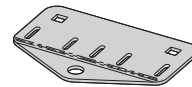
Vertical:



90° Bend
6-inch radius



90° Vertical
Square Connector
0-inch radius



Pivot Connector

- Use the same part for VO and VI applications
- Slotted for easy cable fastening
- The Pivot Connector is available for custom angle adjustment (order separately)
- Shipped with the required hardware

Connector Part Numbering

Prefix

Example: **A CC - 04 - 90HC 060**

Material

- A = Aluminum
- G = Type 1 HDGAF

Tray Type

CC = Ventilated Cable Channel

Width

- 03 = 3"
- 04 = 4"
- 06 = 6"

Connector Type

- 90HC = 90° Horizontal
- HTC = Horizontal Tee
- HXC = Horizontal Cross
- 90VC = 90° Vertical
- PC = Pivot Connector

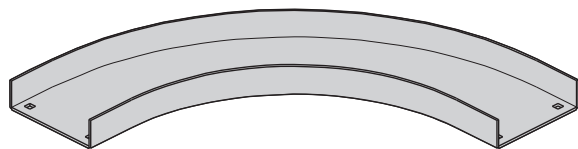
Radius

Horizontal Connectors
 060 = 0" & 6" Radii
Vertical Connectors
 00 = 0" Radius
 06 = 6" Radius

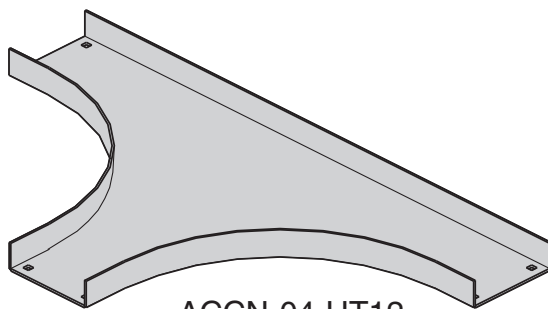
All items normal lead time except for those indicated

● Green = Fastest shipped items ● Black = Normal lead-time items ● Red = Normally long lead-time items

Channel Cable Tray - Fittings

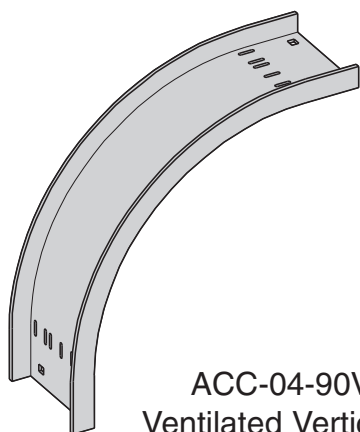


ACCN-04-90HB12
Non-Ventilated Horizontal Bend

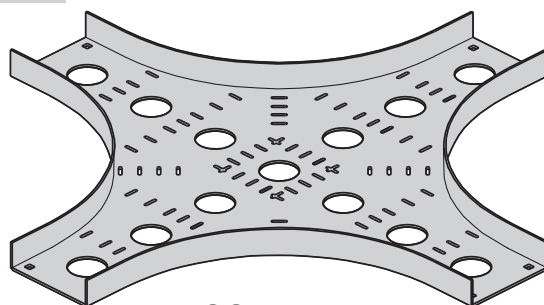


ACCN-04-HT12
Non-Ventilated Tee

Fittings engineered with 3" tangents for splicing integrity.



ACC-04-90VO12
Ventilated Vertical Bend



ACC-04-HX12
Ventilated Horizontal Cross

Fittings Part Numbering

Prefix
Example: **A CCN - 04 - 90 HB 24**

| Material | Tray Type | Width | Angle | Fitting Type | Radius |
|---|--|---|--|---|--|
| <ul style="list-style-type: none"> ● A = Aluminum ● G = Type 1 HDGAF ● SS4 = 304 Stainless Steel ● SS6 = 316 Stainless Steel P = † | <ul style="list-style-type: none"> ● *CC = Ventilated Cable Channel ● CCN = Non-ventilated Cable Channel | <ul style="list-style-type: none"> ● 03 = 3" ● 04 = 4" ● 06 = 6" | <ul style="list-style-type: none"> ● 30 = 30° ● 45 = 45° ● 60 = 60° ● 90 = 90° | <ul style="list-style-type: none"> HB = Horizontal Bend HT = Horizontal Tee HX = Horizontal Cross VI = Vertical Inside Bend VO = Vertical Outside Bend | <ul style="list-style-type: none"> ● 12 = 12" ● 24 = 24" ● 36 = 36" ● 48 = 48" |

* Ventilated Cable Channel Fittings are available only in 12" and 24" radii.
 † - Due to multiple piece welded construction, P fittings are not available - substitute G.

All items normal lead time except for those indicated

● Green = Fastest shipped items ● Black = Normal lead-time items ● Red = Normally long lead-time items

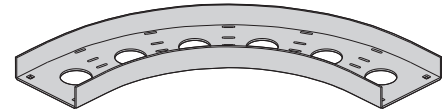
Channel Cable Tray - Fittings

Horizontal Bends 90°, 60° (HB)

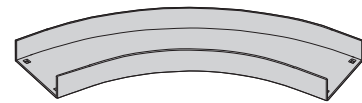
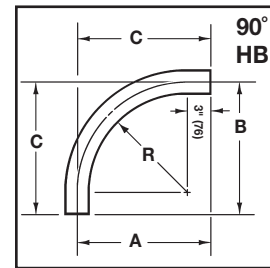
1 splice plate with hardware included.

| Bend Radius R | Tray Width | 90° Horizontal Bend Dimensions | | | | | | | |
|---------------------|------------|--------------------------------|-----------------|----------|----------|----------|----------|---------|--|
| | | Catalog No. | A | | B | | C | | |
| in. mm | in. mm | | in. mm | in. mm | in. mm | in. mm | in. mm | in. mm | |
| 12 | 305 | 3 76 | (Pre)-03-90HB12 | 16½ 419 | 16½ 419 | 16½ 419 | 16½ 419 | 16½ 419 | |
| | | 4 101 | (Pre)-04-90HB12 | 17 432 | 17 432 | 17 432 | 17 432 | | |
| | | 6 152 | (Pre)-06-90HB12 | 18 457 | 18 457 | 18 457 | 18 457 | | |
| 24 | 609 | 3 76 | (Pre)-03-90HB24 | 28½ 723 | 28½ 723 | 28½ 723 | 28½ 723 | | |
| | | 4 101 | (Pre)-04-90HB24 | 29 737 | 29 737 | 29 737 | 29 737 | | |
| | | 6 152 | (Pre)-06-90HB24 | 30 762 | 30 762 | 30 762 | 30 762 | | |
| 36 | 915 | 3 76 | (Pre)-03-90HB36 | 40½ 1029 | 40½ 1029 | 40½ 1029 | 40½ 1029 | | |
| | | 4 101 | (Pre)-04-90HB36 | 41 1041 | 41 1041 | 41 1041 | 41 1041 | | |
| | | 6 152 | (Pre)-06-90HB36 | 42 1067 | 42 1067 | 42 1067 | 42 1067 | | |
| 48 | 1218 | 3 76 | (Pre)-03-90HB48 | 52½ 1334 | 52½ 1334 | 52½ 1334 | 52½ 1334 | | |
| | | 4 101 | (Pre)-04-90HB48 | 53 1346 | 53 1346 | 53 1346 | 53 1346 | | |
| | | 6 152 | (Pre)-06-90HB48 | 54 1372 | 54 1372 | 54 1372 | 54 1372 | | |
| 60° Horizontal Bend | | | | | | | | | |
| 12 | 305 | 3 76 | (Pre)-03-60HB12 | 16¼ 412 | 9¾ 239 | 10¾ 273 | | | |
| | | 4 101 | (Pre)-04-60HB12 | 16¾ 422 | 9¾ 245 | 11½ 283 | | | |
| | | 6 152 | (Pre)-06-60HB12 | 17½ 445 | 10 254 | 11¾ 296 | | | |
| 24 | 609 | 3 76 | (Pre)-03-60HB24 | 26¾ 819 | 15¾ 391 | 17¾ 451 | | | |
| | | 4 101 | (Pre)-04-60HB24 | 27 686 | 15¾ 397 | 18 450 | | | |
| | | 6 152 | (Pre)-06-60HB24 | 27¾ 708 | 16 406 | 18¾ 466 | | | |
| 36 | 915 | 3 76 | (Pre)-03-60HB36 | 37 940 | 21¾ 543 | 24¾ 625 | | | |
| | | 4 101 | (Pre)-04-60HB36 | 37¾ 949 | 21¾ 549 | 25 635 | | | |
| | | 6 152 | (Pre)-06-60HB36 | 38¼ 972 | 22 559 | 25½ 648 | | | |
| 48 | 1218 | 3 76 | (Pre)-03-60HB48 | 47¾ 1203 | 27¾ 695 | 31¾ 803 | | | |
| | | 4 101 | (Pre)-04-60HB48 | 47¾ 1216 | 27¾ 702 | 31¾ 810 | | | |
| | | 6 152 | (Pre)-06-60HB48 | 48¾ 1235 | 28 711 | 32½ 826 | | | |

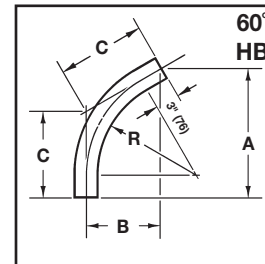
All dimensions in shaded areas are millimeters unless otherwise specified.
 (Pre) See page 105 for catalog number prefix.



90° Horizontal Bend
Ventilated Horizontal Bend



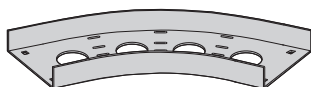
60° Horizontal Bend
Non-Ventilated Horizontal Bend



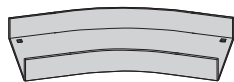
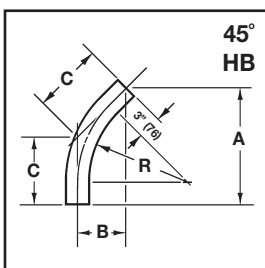
Channel Cable Tray - Fittings

Horizontal Bends 45°, 30° (HB)

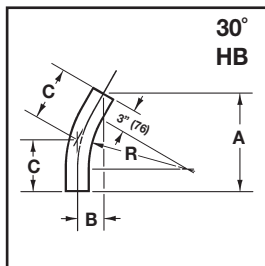
1 splice plate with hardware included.



45° Horizontal Bend
Ventilated Horizontal Bend



30° Horizontal Bend
Non-Ventilated Horizontal Bend



| Bend Radius R | Tray Width | | 45° Horizontal Bend | | | | | | | |
|---------------------|------------|-----|---------------------|-----------------|--------------------------------|------|--------------------------------|-----|--------------------------------|-----|
| | | | Dimensions | | | | | | | |
| | | | Catalog No. | | A | | B | | C | |
| in. | mm | in. | mm | in. | mm | in. | mm | in. | mm | |
| 12 | 305 | 3 | 76 | (Pre)-03-45HB12 | 14 ⁵ / ₈ | 371 | 6 ¹ / ₈ | 156 | 8 ⁵ / ₈ | 219 |
| | | 4 | 101 | (Pre)-04-45HB12 | 15 | 381 | 6 ¹ / ₄ | 159 | 8 ⁷ / ₈ | 225 |
| | | 6 | 152 | (Pre)-06-45HB12 | 15 ³ / ₄ | 400 | 6 ¹ / ₂ | 165 | 9 ¹ / ₄ | 235 |
| 24 | 609 | 3 | 76 | (Pre)-03-45HB24 | 23 ¹ / ₈ | 587 | 9 ⁵ / ₈ | 244 | 13 ⁵ / ₈ | 346 |
| | | 4 | 101 | (Pre)-04-45HB24 | 23 ¹ / ₂ | 597 | 9 ³ / ₄ | 248 | 13 ³ / ₄ | 249 |
| | | 6 | 152 | (Pre)-06-45HB24 | 24 ¹ / ₈ | 613 | 10 | 254 | 14 ¹ / ₈ | 359 |
| 36 | 915 | 3 | 76 | (Pre)-03-45HB36 | 31 ⁵ / ₈ | 803 | 13 ¹ / ₈ | 334 | 18 ⁵ / ₈ | 473 |
| | | 4 | 101 | (Pre)-04-45HB36 | 32 | 813 | 13 ¹ / ₄ | 337 | 18 ³ / ₄ | 476 |
| | | 6 | 152 | (Pre)-06-45HB36 | 32 ³ / ₄ | 832 | 13 ¹ / ₂ | 343 | 19 ¹ / ₈ | 486 |
| 48 | 1218 | 3 | 76 | (Pre)-03-45HB48 | 40 ¹ / ₈ | 1019 | 16 ⁵ / ₈ | 422 | 23 ¹ / ₂ | 597 |
| | | 4 | 101 | (Pre)-04-45HB48 | 40 ¹ / ₂ | 1029 | 16 ³ / ₄ | 425 | 23 ³ / ₄ | 603 |
| | | 6 | 152 | (Pre)-06-45HB48 | 41 ¹ / ₈ | 1045 | 17 | 432 | 24 ¹ / ₈ | 613 |
| 30° Horizontal Bend | | | | | | | | | | |
| 12 | 305 | 3 | 76 | (Pre)-03-30HB12 | 12 ³ / ₈ | 314 | 3 ¹ / ₄ | 83 | 6 ⁵ / ₈ | 168 |
| | | 4 | 101 | (Pre)-04-30HB12 | 12 ⁵ / ₈ | 321 | 3 ³ / ₈ | 86 | 6 ³ / ₄ | 171 |
| | | 6 | 152 | (Pre)-06-30HB12 | 13 ¹ / ₈ | 334 | 3 ¹ / ₂ | 89 | 7 | 178 |
| 24 | 609 | 3 | 76 | (Pre)-03-30HB24 | 18 ³ / ₈ | 467 | 4 ⁷ / ₈ | 124 | 9 ⁷ / ₈ | 251 |
| | | 4 | 101 | (Pre)-04-30HB24 | 18 ⁵ / ₈ | 473 | 5 | 127 | 10 | 254 |
| | | 6 | 152 | (Pre)-06-30HB24 | 19 ¹ / ₈ | 486 | 5 ¹ / ₈ | 130 | 10 ¹ / ₄ | 260 |
| 36 | 915 | 3 | 76 | (Pre)-03-30HB36 | 24 ³ / ₈ | 619 | 6 ¹ / ₂ | 165 | 13 | 330 |
| | | 4 | 101 | (Pre)-04-30HB36 | 24 ⁵ / ₈ | 626 | 6 ⁵ / ₈ | 168 | 13 ¹ / ₈ | 334 |
| | | 6 | 152 | (Pre)-06-30HB36 | 25 ¹ / ₈ | 638 | 6 ³ / ₄ | 171 | 13 ¹ / ₂ | 343 |
| 48 | 1218 | 3 | 76 | (Pre)-03-30HB48 | 30 ³ / ₈ | 772 | 8 ¹ / ₈ | 207 | 16 ¹ / ₄ | 413 |
| | | 4 | 101 | (Pre)-04-30HB48 | 30 ⁵ / ₈ | 778 | 8 ¹ / ₄ | 210 | 16 ³ / ₈ | 416 |
| | | 6 | 152 | (Pre)-06-30HB48 | 31 ¹ / ₈ | 791 | 8 ³ / ₈ | 213 | 16 ⁵ / ₈ | 422 |

All dimensions in shaded areas are millimeters unless otherwise specified.
(Pre) See page 105 for catalog number prefix.

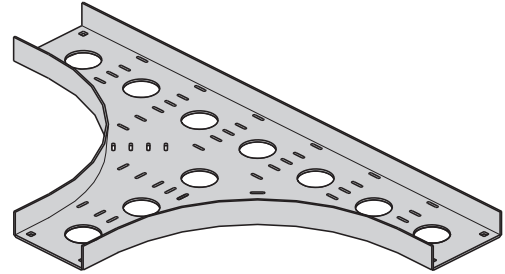
Channel Cable Tray - Fittings

Horizontal Tee (HT)

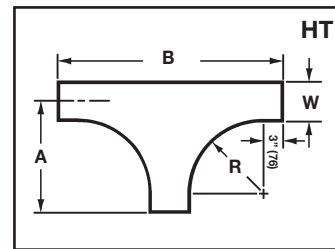
2 splice plates with hardware included.

| Bend Radius R | Tray Width | Horizontal Tee Dimensions | | | | | | |
|------------------|------------|---------------------------|-----|---------------|-----|------|-----|------|
| | | Tray Width | | Catalog No. | A | | B | |
| | | in. | mm | | in. | mm | in. | mm |
| 12 | 305 | 3 | 76 | (Pre)-03-HT12 | 16½ | 419 | 33 | 838 |
| | | 4 | 101 | (Pre)-04-HT12 | 17 | 432 | 34 | 864 |
| | | 6 | 152 | (Pre)-06-HT12 | 18 | 457 | 36 | 914 |
| 24 | 609 | 3 | 76 | (Pre)-03-HT24 | 28½ | 723 | 57 | 1448 |
| | | 4 | 101 | (Pre)-04-HT24 | 29 | 737 | 58 | 1473 |
| | | 6 | 152 | (Pre)-06-HT24 | 30 | 762 | 60 | 1524 |
| 36 | 915 | 3 | 76 | (Pre)-03-HT36 | 40½ | 1029 | 81 | 2057 |
| | | 4 | 101 | (Pre)-04-HT36 | 41 | 1041 | 82 | 2083 |
| | | 6 | 152 | (Pre)-06-HT36 | 42 | 1067 | 84 | 2134 |
| 48 | 1218 | 3 | 76 | (Pre)-03-HT48 | 52½ | 1334 | 105 | 2667 |
| | | 4 | 101 | (Pre)-04-HT48 | 53 | 1346 | 106 | 2692 |
| | | 6 | 152 | (Pre)-06-HT48 | 54 | 1372 | 108 | 2743 |

All dimensions in shaded areas are millimeters unless otherwise specified.
(Pre) See page 105 for catalog number prefix.



Horizontal Tee
Ventilated Horizontal Tee

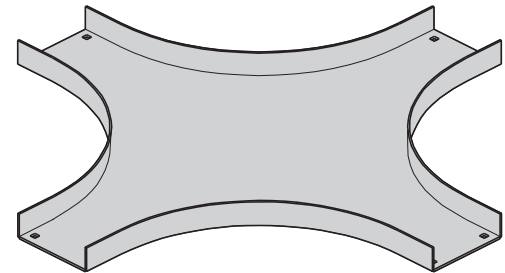


Horizontal Cross (HX)

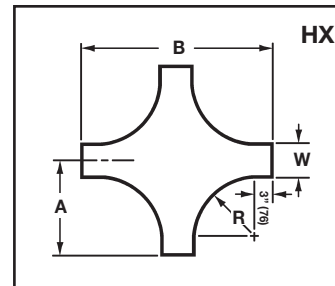
3 splice plates with hardware included.

| Bend Radius R | Tray Width | Horizontal Cross Dimensions | | | | | | |
|------------------|------------|-----------------------------|-----|---------------|-----|------|-----|------|
| | | Tray Width | | Catalog No. | A | | B | |
| | | in. | mm | | in. | mm | in. | mm |
| 12 | 305 | 3 | 76 | (Pre)-03-HX12 | 16½ | 419 | 33 | 838 |
| | | 4 | 101 | (Pre)-04-HX12 | 17 | 432 | 34 | 864 |
| | | 6 | 152 | (Pre)-06-HX12 | 18 | 457 | 36 | 914 |
| 24 | 609 | 3 | 76 | (Pre)-03-HX24 | 28½ | 723 | 57 | 1448 |
| | | 4 | 101 | (Pre)-04-HX24 | 29 | 737 | 58 | 1473 |
| | | 6 | 152 | (Pre)-06-HX24 | 30 | 762 | 60 | 1524 |
| 36 | 915 | 3 | 76 | (Pre)-03-HX36 | 40½ | 1029 | 81 | 2057 |
| | | 4 | 101 | (Pre)-04-HX36 | 41 | 1041 | 82 | 2083 |
| | | 6 | 152 | (Pre)-06-HX36 | 42 | 1067 | 84 | 2134 |
| 48 | 1218 | 3 | 76 | (Pre)-03-HX48 | 52½ | 1334 | 105 | 2667 |
| | | 4 | 101 | (Pre)-04-HX48 | 53 | 1346 | 106 | 2692 |
| | | 6 | 152 | (Pre)-06-HX48 | 54 | 1372 | 108 | 2743 |

All dimensions in shaded areas are millimeters unless otherwise specified.
(Pre) See page 105 for catalog number prefix.



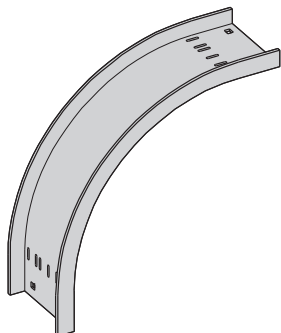
Horizontal Cross
Non-Ventilated Horizontal Cross



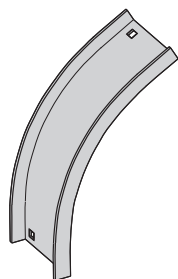
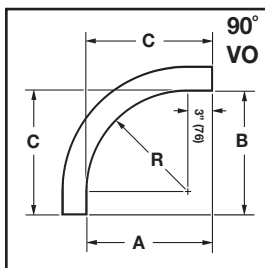
Channel Cable Tray - Fittings

Vertical Outside Bends 90°, 60° (VO)

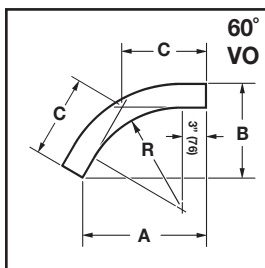
1 splice plate with hardware included.



90° Vertical Outside Bend
Ventilated Vertical Outside Bend



60° Vertical Outside Bend
Non-Ventilated Vertical Outside Bend



| Bend Radius R | Tray Width | | 90° Vertical Outside Bend Dimensions | | | | | | | |
|---------------------------|------------|-----|--------------------------------------|-----------------|--------------------------------|------|--------------------------------|------|--------------------------------|------|
| | | | Catalog No. | | A | | B | | C | |
| in. | mm | in. | mm | | in. | mm | in. | mm | in. | mm |
| 12 | 305 | 3 | 76 | (Pre)-03-90VO12 | 15 | 381 | 15 | 381 | 15 | 381 |
| | | 4 | 101 | (Pre)-04-90VO12 | | | | | | |
| | | 6 | 152 | (Pre)-06-90VO12 | | | | | | |
| 24 | 609 | 3 | 76 | (Pre)-03-90VO24 | 27 | 686 | 27 | 686 | 27 | 686 |
| | | 4 | 101 | (Pre)-04-90VO24 | | | | | | |
| | | 6 | 152 | (Pre)-06-90VO24 | | | | | | |
| 36 | 915 | 3 | 76 | (Pre)-03-90VO36 | 39 | 991 | 39 | 991 | 39 | 991 |
| | | 4 | 101 | (Pre)-04-90VO36 | | | | | | |
| | | 6 | 152 | (Pre)-06-90VO36 | | | | | | |
| 48 | 1218 | 3 | 76 | (Pre)-03-90VO48 | 51 | 1295 | 51 | 1295 | 51 | 1295 |
| | | 4 | 101 | (Pre)-04-90VO48 | | | | | | |
| | | 6 | 152 | (Pre)-06-90VO48 | | | | | | |
| 60° Vertical Outside Bend | | | | | | | | | | |
| 12 | 305 | 3 | 76 | (Pre)-03-60VO12 | 14 ⁷ / ₈ | 378 | 8 ¹ / ₂ | 216 | 9 ⁷ / ₈ | 251 |
| | | 4 | 101 | (Pre)-04-60VO12 | | | | | | |
| | | 6 | 152 | (Pre)-06-60VO12 | | | | | | |
| 24 | 609 | 3 | 76 | (Pre)-03-60VO24 | 25 ³ / ₈ | 645 | 14 ⁵ / ₈ | 372 | 16 ⁷ / ₈ | 428 |
| | | 4 | 101 | (Pre)-04-60VO24 | | | | | | |
| | | 6 | 152 | (Pre)-06-60VO24 | | | | | | |
| 36 | 915 | 3 | 76 | (Pre)-03-60VO36 | 35 ⁵ / ₈ | 905 | 20 ⁵ / ₈ | 524 | 23 ³ / ₄ | 603 |
| | | 4 | 101 | (Pre)-04-60VO36 | | | | | | |
| | | 6 | 152 | (Pre)-06-60VO36 | | | | | | |
| 48 | 1218 | 3 | 76 | (Pre)-03-60VO48 | 46 ¹ / ₈ | 1172 | 26 ⁵ / ₈ | 676 | 30 ³ / ₄ | 781 |
| | | 4 | 101 | (Pre)-04-60VO48 | | | | | | |
| | | 6 | 152 | (Pre)-06-60VO48 | | | | | | |

All dimensions in shaded areas are millimeters unless otherwise specified.
(Pre) See page 105 for catalog number prefix.

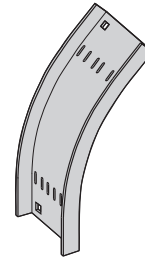
Channel Cable Tray - Fittings

Vertical Outside Bends 45°, 30° (VO)

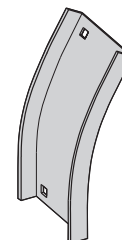
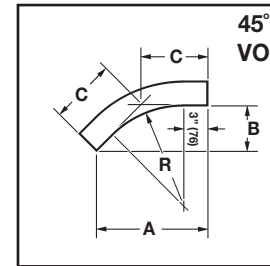
1 splice plate with hardware included.

| Bend Radius R | Tray Width | 45° Vertical Outside Bend Dimensions | | | | | | | |
|---------------------------|------------|--------------------------------------|------------------------------------|------------------------------------|------------------------------------|--------|--------|--|--|
| | | Catalog No. | A | | B | | C | | |
| in. mm | in. mm | | in. mm | in. mm | in. mm | in. mm | in. mm | | |
| 12 305 | 3 76 | (Pre)-03-45VO12 | 13 ⁵ / ₈ 346 | 5 ⁵ / ₈ 143 | 8 203 | | | | |
| | 4 101 | (Pre)-04-45VO12 | | | | | | | |
| | 6 152 | (Pre)-06-45VO12 | | | | | | | |
| 24 609 | 3 76 | (Pre)-03-45VO24 | 22 ¹ / ₄ 565 | 9 ¹ / ₄ 235 | 13 330 | | | | |
| | 4 101 | (Pre)-04-45VO24 | | | | | | | |
| | 6 152 | (Pre)-06-45VO24 | | | | | | | |
| 36 915 | 3 76 | (Pre)-03-45VO36 | 30 ¹ / ₂ 775 | 12 ⁵ / ₈ 321 | 17 ⁷ / ₈ 454 | | | | |
| | 4 101 | (Pre)-04-45VO36 | | | | | | | |
| | 6 152 | (Pre)-06-45VO36 | | | | | | | |
| 48 1218 | 3 76 | (Pre)-03-45VO48 | 39 991 | 16 ¹ / ₈ 410 | 22 ⁷ / ₈ 581 | | | | |
| | 4 101 | (Pre)-04-45VO48 | | | | | | | |
| | 6 152 | (Pre)-06-45VO48 | | | | | | | |
| 30° Vertical Outside Bend | | | | | | | | | |
| 12 305 | 3 76 | (Pre)-03-30VO12 | 11 ⁵ / ₈ 296 | 3 ¹ / ₈ 79 | 6 ¹ / ₄ 158 | | | | |
| | 4 101 | (Pre)-04-30VO12 | | | | | | | |
| | 6 152 | (Pre)-06-30VO12 | | | | | | | |
| 24 609 | 3 76 | (Pre)-03-30VO24 | 17 ¹ / ₂ 445 | 4 ⁷ / ₈ 124 | 9 ³ / ₈ 238 | | | | |
| | 4 101 | (Pre)-04-30VO24 | | | | | | | |
| | 6 152 | (Pre)-06-30VO24 | | | | | | | |
| 36 915 | 3 76 | (Pre)-03-30VO36 | 23 ¹ / ₂ 597 | 6 ³ / ₈ 162 | 12 ⁵ / ₈ 321 | | | | |
| | 4 101 | (Pre)-04-30VO36 | | | | | | | |
| | 6 152 | (Pre)-06-30VO36 | | | | | | | |
| 48 1218 | 3 76 | (Pre)-03-30VO48 | 29 ⁵ / ₈ 753 | 8 203 | 15 ⁷ / ₈ 403 | | | | |
| | 4 101 | (Pre)-04-30VO48 | | | | | | | |
| | 6 152 | (Pre)-06-30VO48 | | | | | | | |

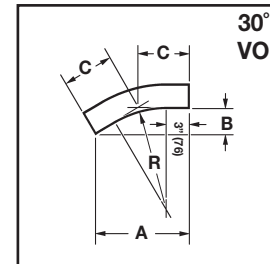
All dimensions in shaded areas are millimeters unless otherwise specified.
 (Pre) See page 105 for catalog number prefix.



45° Vertical Outside Bend
Ventilated Vertical Outside Bend



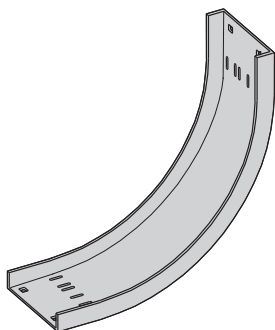
30° Vertical Outside Bend
Non-Ventilated Vertical Outside Bend



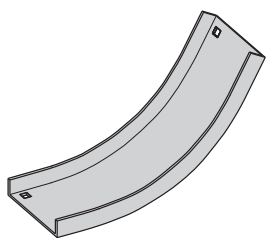
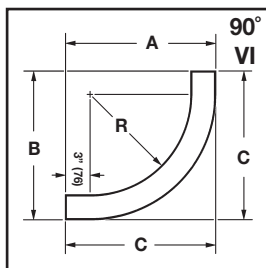
Channel Cable Tray - Fittings

Vertical Inside Bends 90°, 60° (VI)

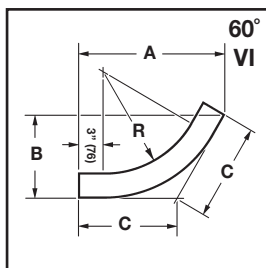
1 splice plate with hardware included.



90° Vertical Inside Bend
Ventilated Vertical Inside Bend



60° Vertical Inside Bend
Non-Ventilated Vertical Inside Bend



| Bend Radius R | Tray Width | | 90° Vertical Inside Bend Dimensions | | | | | | | |
|---------------------------------|------------|-----|-------------------------------------|-----------------|--------------------------------|------|--------------------------------|------|--------------------------------|------|
| | | | Catalog No. | | A | | B | | C | |
| in. | mm | in. | mm | | in. | mm | in. | mm | in. | mm |
| 12 | 305 | 3 | 76 | (Pre)-03-90VI12 | 16 ¹ / ₄ | 413 | 16 ¹ / ₄ | 413 | 16 ¹ / ₄ | 413 |
| | | 4 | 101 | (Pre)-04-90VI12 | 16 ³ / ₄ | 425 | 16 ³ / ₄ | 425 | 16 ³ / ₄ | 425 |
| | | 6 | 152 | (Pre)-06-90VI12 | 16 ³ / ₄ | 425 | 16 ³ / ₄ | 425 | 16 ³ / ₄ | 425 |
| 24 | 609 | 3 | 76 | (Pre)-03-90VI24 | 28 ¹ / ₄ | 718 | 28 ¹ / ₄ | 718 | 28 ¹ / ₄ | 718 |
| | | 4 | 101 | (Pre)-04-90VI24 | 28 ³ / ₄ | 730 | 28 ³ / ₄ | 730 | 28 ³ / ₄ | 730 |
| | | 6 | 152 | (Pre)-06-90VI24 | 28 ³ / ₄ | 730 | 28 ³ / ₄ | 730 | 28 ³ / ₄ | 730 |
| 36 | 915 | 3 | 76 | (Pre)-03-90VI36 | 40 ¹ / ₄ | 1024 | 40 ¹ / ₄ | 1024 | 40 ¹ / ₄ | 1024 |
| | | 4 | 101 | (Pre)-04-90VI36 | 40 ³ / ₄ | 1035 | 40 ³ / ₄ | 1035 | 40 ³ / ₄ | 1035 |
| | | 6 | 152 | (Pre)-06-90VI36 | 40 ³ / ₄ | 1035 | 40 ³ / ₄ | 1035 | 40 ³ / ₄ | 1035 |
| 48 | 1218 | 3 | 76 | (Pre)-03-90VI48 | 52 ¹ / ₄ | 1327 | 52 ¹ / ₄ | 1327 | 52 ¹ / ₄ | 1327 |
| | | 4 | 101 | (Pre)-04-90VI48 | 52 ³ / ₄ | 1340 | 52 ³ / ₄ | 1340 | 52 ³ / ₄ | 1340 |
| | | 6 | 152 | (Pre)-06-90VI48 | 52 ³ / ₄ | 1340 | 52 ³ / ₄ | 1340 | 52 ³ / ₄ | 1340 |
| 60° Vertical Inside Bend | | | | | | | | | | |
| 12 | 305 | 3 | 76 | (Pre)-03-60VI12 | 16 | 406 | 9 ¹ / ₄ | 235 | 10 ⁵ / ₈ | 270 |
| | | 4 | 101 | (Pre)-04-60VI12 | 16 ¹ / ₂ | 419 | 9 ¹ / ₂ | 241 | 11 | 280 |
| | | 6 | 152 | (Pre)-06-60VI12 | 16 ¹ / ₂ | 419 | 9 ¹ / ₂ | 241 | 11 | 280 |
| 24 | 609 | 3 | 76 | (Pre)-03-60VI24 | 26 ¹ / ₂ | 673 | 15 ¹ / ₄ | 387 | 17 ⁵ / ₈ | 448 |
| | | 4 | 101 | (Pre)-04-60VI24 | 26 ⁷ / ₈ | 683 | 15 ¹ / ₂ | 394 | 17 ⁷ / ₈ | 454 |
| | | 6 | 152 | (Pre)-06-60VI24 | 26 ⁷ / ₈ | 683 | 15 ¹ / ₂ | 394 | 17 ⁷ / ₈ | 454 |
| 36 | 915 | 3 | 76 | (Pre)-03-60VI36 | 36 ³ / ₄ | 933 | 21 ¹ / ₄ | 540 | 24 ¹ / ₂ | 622 |
| | | 4 | 101 | (Pre)-04-60VI36 | 37 ¹ / ₈ | 943 | 21 ³ / ₈ | 543 | 24 ³ / ₄ | 629 |
| | | 6 | 152 | (Pre)-06-60VI36 | 37 ¹ / ₈ | 943 | 21 ³ / ₈ | 543 | 24 ³ / ₄ | 629 |
| 48 | 1218 | 3 | 76 | (Pre)-03-60VI48 | 47 ¹ / ₈ | 1197 | 27 ¹ / ₈ | 689 | 31 ³ / ₈ | 797 |
| | | 4 | 101 | (Pre)-04-60VI48 | 47 ⁵ / ₈ | 1210 | 27 ¹ / ₂ | 699 | 31 ³ / ₄ | 806 |
| | | 6 | 152 | (Pre)-06-60VI48 | 47 ⁵ / ₈ | 1210 | 27 ¹ / ₂ | 699 | 31 ³ / ₄ | 806 |

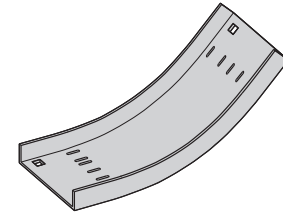
All dimensions in shaded areas are millimeters unless otherwise specified.
(Pre) See page 105 for catalog number prefix.

Channel Cable Tray - Fittings

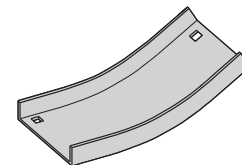
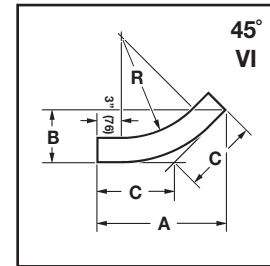
Vertical Inside Bends 45°, 30° (VI)

1 splice plate with hardware included.

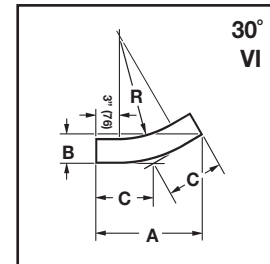
| Bend Radius R | Tray Width | 45° Vertical Inside Bend | | | | | | | |
|--------------------------|------------|--------------------------|-------------------------------------|------------------------------------|------------------------------------|--------|--------|--------|--|
| | | Catalog No. | | A | | B | | C | |
| in. mm | in. mm | | in. mm | in. mm | in. mm | in. mm | in. mm | in. mm | |
| 12 305 | 3 76 | (Pre)-03-45VI12 | 14 ¹ / ₂ 368 | 6 152 | 8 ¹ / ₂ 216 | | | | |
| | 4 101 | (Pre)-04-45VI12 | 14 ⁷ / ₈ 373 | 6 ¹ / ₈ 156 | 8 ³ / ₄ 222 | | | | |
| | 6 152 | (Pre)-06-45VI12 | 14 ⁷ / ₈ 378 | 6 ¹ / ₈ 156 | 8 ³ / ₄ 222 | | | | |
| 24 609 | 3 76 | (Pre)-03-45VI24 | 23 584 | 9 ¹ / ₂ 241 | 13 ¹ / ₂ 343 | | | | |
| | 4 101 | (Pre)-04-45VI24 | 23 ¹ / ₄ 591 | 9 ⁵ / ₈ 245 | 13 ⁵ / ₈ 346 | | | | |
| | 6 152 | (Pre)-06-45VI24 | 23 ¹ / ₄ 591 | 9 ⁵ / ₈ 245 | 13 ⁵ / ₈ 346 | | | | |
| 36 915 | 3 76 | (Pre)-03-45VI36 | 31 ³ / ₈ 797 | 13 330 | 18 ³ / ₈ 467 | | | | |
| | 4 101 | (Pre)-04-45VI36 | 31 ³ / ₄ 806 | 13 ¹ / ₈ 330 | 18 ⁵ / ₈ 467 | | | | |
| | 6 152 | (Pre)-06-45VI36 | 31 ³ / ₄ 806 | 13 ¹ / ₈ 334 | 18 ⁵ / ₈ 473 | | | | |
| 48 1218 | 3 76 | (Pre)-03-45VI48 | 39 ⁷ / ₈ 1013 | 16 ¹ / ₂ 419 | 23 ³ / ₈ 594 | | | | |
| | 4 101 | (Pre)-04-45VI48 | 40 ³ / ₈ 1026 | 16 ³ / ₄ 425 | 23 ⁵ / ₈ 600 | | | | |
| | 6 152 | (Pre)-06-45VI48 | 40 ³ / ₈ 1026 | 16 ³ / ₄ 425 | 23 ⁵ / ₈ 600 | | | | |
| 30° Vertical Inside Bend | | | | | | | | | |
| 12 305 | 3 76 | (Pre)-03-30VI12 | 12 ¹ / ₈ 308 | 3 ¹ / ₈ 83 | 6 ¹ / ₂ 165 | | | | |
| | 4 101 | (Pre)-04-30VI12 | 12 ³ / ₈ 314 | 3 ³ / ₈ 86 | 6 ⁵ / ₈ 163 | | | | |
| | 6 152 | (Pre)-06-30VI12 | 12 ³ / ₈ 314 | 3 ³ / ₈ 86 | 6 ⁵ / ₈ 163 | | | | |
| 24 609 | 3 76 | (Pre)-03-30VI24 | 18 ¹ / ₈ 461 | 4 ³ / ₄ 121 | 9 ³ / ₄ 248 | | | | |
| | 4 101 | (Pre)-04-30VI24 | 18 ³ / ₈ 467 | 4 ⁷ / ₈ 86 | 9 ⁷ / ₈ 163 | | | | |
| | 6 152 | (Pre)-06-30VI24 | 18 ³ / ₈ 314 | 4 ⁷ / ₈ 86 | 9 ⁷ / ₈ 163 | | | | |
| 36 415 | 3 76 | (Pre)-03-30VI36 | 24 ¹ / ₄ 616 | 6 ¹ / ₂ 165 | 13 330 | | | | |
| | 4 101 | (Pre)-04-30VI36 | 24 ¹ / ₂ 622 | 6 ⁵ / ₈ 168 | 13 ¹ / ₈ 334 | | | | |
| | 6 152 | (Pre)-06-30VI36 | 24 ¹ / ₂ 622 | 6 ⁵ / ₈ 168 | 13 ¹ / ₈ 334 | | | | |
| 48 1218 | 3 76 | (Pre)-03-30VI48 | 30 ³ / ₈ 772 | 8 ¹ / ₈ 207 | 16 ¹ / ₄ 413 | | | | |
| | 4 101 | (Pre)-04-30VI48 | 30 ⁵ / ₈ 778 | 8 ¹ / ₄ 210 | 16 ³ / ₈ 416 | | | | |
| | 6 152 | (Pre)-06-30VI48 | 30 ⁵ / ₈ 778 | 8 ¹ / ₄ 210 | 16 ³ / ₈ 416 | | | | |



45° Vertical Inside Bend
Ventilated Vertical Inside Bend



30° Vertical Inside Bend
Non-Ventilated Vertical Inside Bend



All dimensions in shaded areas are millimeters unless otherwise specified.
(Pre) See page 105 for catalog number prefix.

Section 1- Acceptable Manufacturers

- 1.01 Manufacturer: Subject to compliance with these specifications, channel cable tray systems shall be as manufactured by Cooper B-Line, Inc.

Section 2- Selection and Components

- 2.01 General: Except as otherwise indicated, provide ventilated metal channel cable trays, of types, classes and sizes indicated with splice connectors, fittings and all other necessary accessories for a complete system. Provide channel cable tray with rounded edges and smooth surfaces in compliance with applicable standards, and with the following additional requirements.

- 2.02 Materials and finishes: Material and finishes specifications for each channel cable tray are as follows:

1. Aluminum: Extruded components shall be made from Aluminum Association Alloy 6063. All fabricated parts shall be made from Aluminum Association Alloy 5052.
2. Pre-Galvanized Steel: Straight sections and fittings shall be made from structural quality mill galvanized 14 gauge steel meeting the properties of ASTM A653SS, coating designation G90.
3. Hot Dip Galvanized Steel: Straight sections and fittings shall be made from 14 gauge structural quality steel meeting the minimum mechanical properties of ASTM A1011 SS, Grade 33 and shall be hot-dip galvanized after fabrication in accordance with ASTM A123.
All hot dip galvanized after fabrication cable trays must be returned to point of manufacture after coating for inspection, conditioning and labeling.
4. Stainless Steel: Straight sections and fittings shall be AISI Type [304] [316].

- 2.03 Channel cable tray straight sections shall be constructed with ventilated flat bottom. Ventilating bottom shall be perforated with 2.25" diameter holes and have slots to facilitate the use of cable ties to secure the cables.

- 2.04 Straight sections shall be supplied in standard [12 foot] [10 foot (3 m)] lengths, except where shorter lengths are permitted to facilitate tray assembly as shown on drawings.

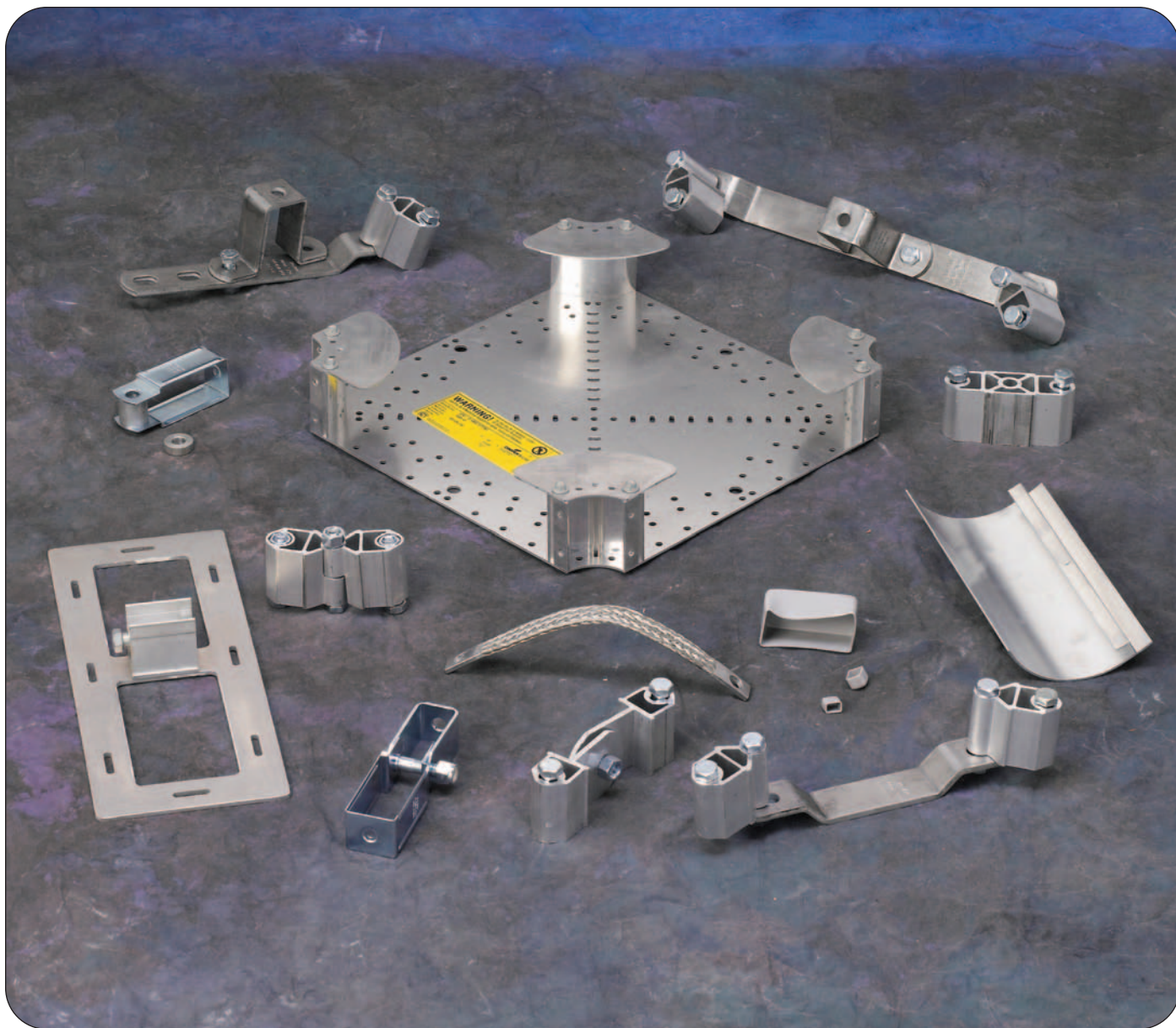
- 2.05 Ventilating straight sections shall have splice holes every 12 inches to simplify field modifications.

- 2.06 Channel cable tray width shall be [3] [4] [6] inches with a minimum loading depth of 1 1/4".

- 2.07 Fittings will have a minimum radius of [12] [24] [36] [48] inches.

- 2.08 Splice plates and hardware shall be included with each straight section and fitting.





How The Service Advisor Works

B-Line knows that your time is important! That's why the color-coding system in this catalog is designed to help you select products that fit your service needs. Products are marked to indicate the typical lead time for orders of 50 pieces or less.

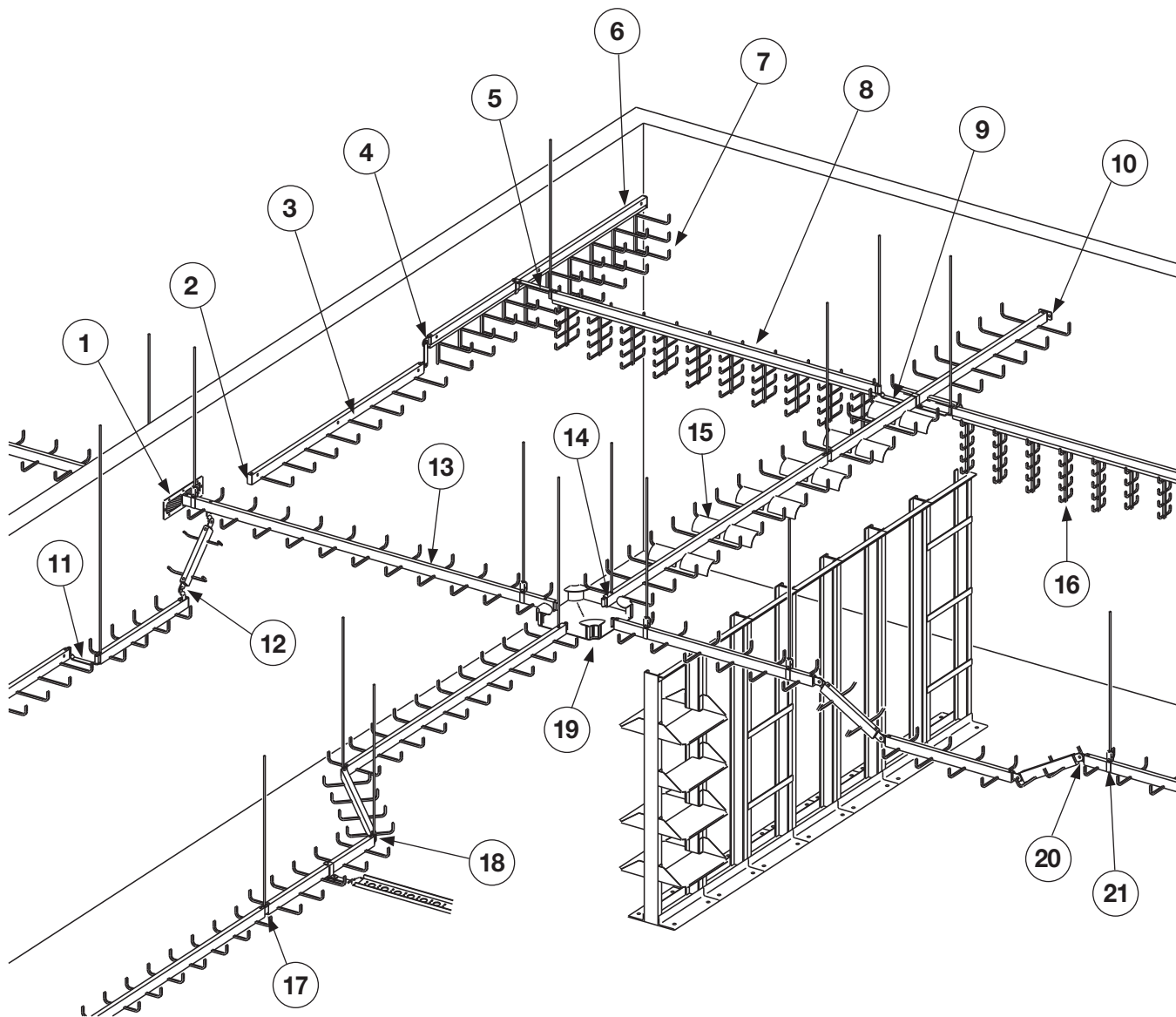
Customer: How do I select my straight sections, covers, or fittings so that I get the quickest turnaround?

Service Advisor: Each part of our selection chart is shown in colors. If any section of a part number is a different color, the part will typically ship with the longer lead time represented by the colors.

- Green = Fastest shipped items
- Black = Normal lead-time items
- Red = Normally long lead-time items

Example: **CO A DB 09 - 12 - 144**
 ● ● ● ● ● ●

Part will have a normal lead time because of the CO Series.



- | | |
|---|--|
| 1. Tray-To-Box Connector (pg. 154) | 11. Horizontal Offset Coupling (pg. 133) |
| 2. Center Rail End Cap (pg. 150) | 12. Vertical Coupling (pg. 137) |
| 3. HALF-RACK™ Straight Section (pg. 128) | 13. DATA-TRACK™ Straight Section (pg. 124) |
| 4. Vertical Offset Coupling (pg. 134) | 14. Horizontal Pivot Connector (pg. 139) |
| 5. Horizontal Tee Coupling (pgs. 135 & 136) | 15. Cable Drop-Out (pg. 148) |
| 6. MULTI-TIER HALF-RACK™ Straight Section (pg. 130) | 16. VERTI-RACK Add-A-Rung (pg. 126) |
| 7. MULTI-TIER HALF-RACK Add-A-Rung™ (pg. 130) | 17. Qwik-Bolt™ Splice Hanger (pg. 132) |
| 8. VERTI-RACK™ Straight Section (pg. 126) | 18. Horizontal Adjustable Splice (pg. 134) |
| 9. Horizontal Cross Coupling (pg. 136) | 19. Universal Hub Fitting (pg. 138) |
| 10. Tray-To-Wall Connector (pg. 153) | 20. Vertical Adjustable Splice (pg. 137) |
| | 21. Clevis Hanger (pg. 140) |

WARNING: Do NOT use as a walkway, ladder or support for personnel.

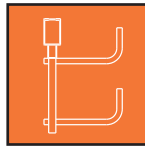
Data-Track™



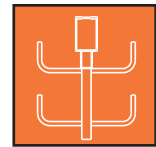
Half-Rack™



Verti-Rack™



Multi-Tier Half-Rack™



Features Common to B-Line Cent-R-Rail™ Systems:

- The fastest cable tray systems to install
- Sides and bottom are open for easy loading and inspection of cables
- Light-weight, high-strength, corrosion-resistant aluminum construction
- Provide the most freedom for cables to enter or exit - perfect for future change
- Cable fill area is free of sharp edges and connection hardware
- The splice can also be used to support the tray
- Qwik-Bolt™ splice maximizes installation speed and minimizes hardware
- Clevis hangers are available for random support locations without drilling center rail
- Systems are designed to install with 1/2" ATR
- Cent-R-Rail engineered to simplify the in-field drilling process and to provide post modification integrity
- All Cent-R-Rail Systems use the same internal connectors
- All Cent-R-Rail Systems are interactive with each other
- Designed to interact with B-Line's Strut System and Strut Raceway System
- Comprehensive accessory options allow for complete installations without traditional cable tray fittings
- Colored rung end caps are available for system labeling
- UL Classified (cross sectional area 0.60 in²/1000 amps)

Patent Information

The indicated patented products in this catalog are protected by one or more of the following patents.

U.S. Patents 5,618,014; 5,628,481; 5,628,580; 5,634,614; 5,651,518; 5,564,658;
5,720,567; 5,730,400; 5,782,439; 5,816,542; 5,868,361; 6,547,192

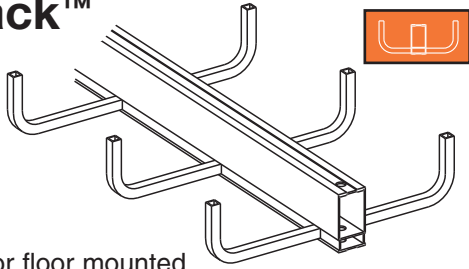
U.K. Patents 2,285,344; 2,317,508; 2,317,509

Germany Patent 4,447,144

Canada Patent 2,139,201

Mexico-Pending

Data-Track™

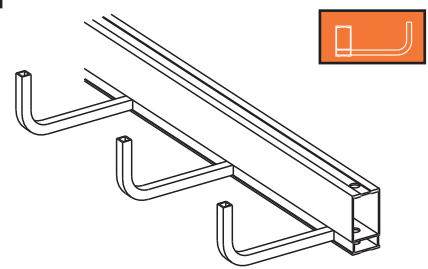


- Ceiling hung or floor mounted
- Low profile
- Built-in barrier
- NEMA 12C load classification
- Seismic restraint systems available (see appendix page 172)
- CSA classified
- Technical information on pages 124 & 125

Sizes Available

Loading depth: 3" (75), 4" (100), 6" (150) and straight rung
Width: 6" (150), 9" (225), 12" (225), 18" (450), 24" (600)
Length: 120" (3m), 144" (4m)
Rung Spacing: 6" (150), 9" (225), 12" (300)

Half-Rack™

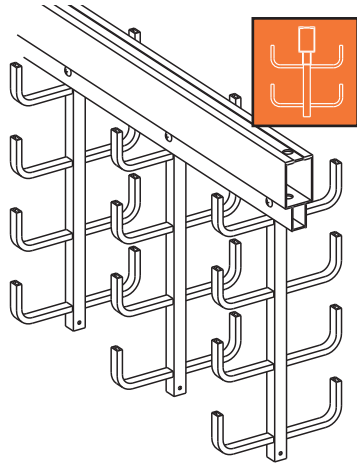


- Supported on wall or other structure
- Low profile
- Flush mounted without spacers or brackets
- Seismic restraint systems available (see appendix page 172)
- CSA classified
- Technical information on pages 128 & 129

Sizes Available

Loading depth: 3" (75), 4" (100), 6" (150) and straight rung
Width: 3" (75), 6" (150), 9" (225), 12" (300)
Length: 120" (3m), 144" (4m)
Rung Spacing: 6" (150), 9" (225), 12" (300)

Verti-Rack™

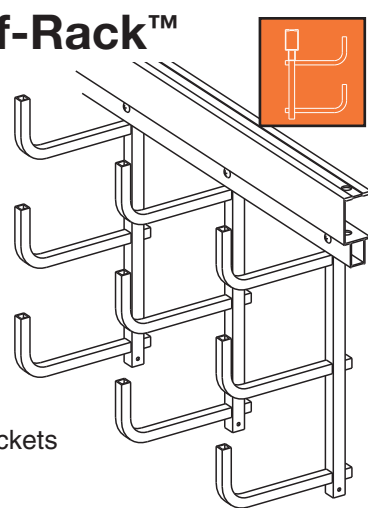


- Ceiling hung
- Multiple tray runs with one center rail
- Installs in narrow spaces
- Provides cable system segregation
- NEMA 12C load classification
- Expandable with ADD-A-RUNG™
- Expanded sizes available (page 173)
- Variable widths available (page 174)
- Inverted design available (page 175)
- Technical information on pages 126 & 127

Sizes Available

Loading depth: Each tier 2" (50) and straight rung
Width: 3" (75), 6" (150), 9" (225), 12" (300)
Number of tiers: 2, 3, 4, 5 & 6
Length: 120" (3m), 144" (4m)
Rung Spacing: 6" (150), 9" (225), 12" (300), specials available

Multi-Tier Half-Rack™



- Supported on wall or other structure
- Multiple tray runs with one center rail
- Installs in narrow spaces
- Provides cable system segregation
- Flush mounted without spacers or brackets
- Expandable with ADD-A-RUNG™
- Seismic restraint systems available (see appendix page 172)
- Variable widths available (page 174)
- Technical information on pages 130 & 131

Sizes Available

Loading depth: 3" (75), 4" (100) and straight rung
Width: 3" (75), 6" (150), 9" (225), 12" (300)
Number of tiers: 2, 3 & 4
Length: 120" (3m), 144" (4m)
Rung Spacing: 6" (150), 9" (225), 12" (300), specials available

Dimensions shown in parentheses are in millimeters, unless otherwise specified.

The following guidelines are based on the 1999 National Electrical Code, Article 318.

I) Number of Multiconductor Cables, Rated 2000 Volts or Less, in Data-Track™ and Half-Rack™ (Excluding Straight Rung)

(1) Multiconductor Control and/or Signal Cables Only

A ladder cable tray containing only control and/or signal cables, may have 50% of its total fill area filled with cable. When using continuous bottom pans, the allowable fill is reduced from 50% to 40%.

Example: Cable tray width is obtained as follows:

2/C - #16 AWG instrumentation cable cross sectional area = 0.04 sq. in.

Total Cross Sectional Area for 300 Cables = 12.00 sq. in.

Minimum tray fill area needed = 12.00 x 2 = 24.00 sq. in.; therefore, the tray width required for 4" loading depth tray = 24.00/4 = 6 inches.

(2) 4/0 or Larger Cables

The ladder cable tray must have an inside usable width equal to or greater than the sum of the diameters (Sd) of the cables, which must be installed in a single layer. When using continuous bottom pans, the sum of the cable diameters can not exceed 90% of the usable tray width.

Example: Cable tray width is obtained as follows:

| List Cable Sizes | (D) List Cable Outside Diameter | (N) List Number of Cables | Multiply (D) x (N) = Subtotal of the Sum of the Cable Diameters |
|------------------|--|------------------------------------|--|
| 3/C - #500 kcmil | 2.26 inches | 1 | 2.26 inches |
| 3/C - #250 kcmil | 1.76 inches | 2 | 3.52 inches |
| 3/C - #4/0 AWG | 1.55 inches | 4 | 6.20 inches |

The sum of the diameters (Sd) of all cables = 2.26 + 3.52 + 6.20 = 11.98 inches; therefore, a cable tray with a usable width of at least 12 inches is required.

(3) Cables Smaller Than 4/0

The total sum of the cross-sectional areas of all the cables to be installed in the cable tray must be equal to or less than the allowable cable area for the tray width, as indicated in Table 1. When using continuous bottom pans, the allowable cable area is reduced by 22%.

Example: Cable tray width is obtained as follows:

| List Cable Sizes | (A) List Cable Cross Sectional Areas | (N) List Number of Cables | Multiply (A) x (N) = Total of the Cross-Sectional Area for Each Size |
|------------------|---|------------------------------------|---|
| 3/C - #12 AWG | 0.167 sq. in. | 10 | 1.67 sq. in. |
| 4/C - #12 AWG | 0.190 sq. in. | 8 | 1.52 sq. in. |
| 3/C - # 6 AWG | 0.430 sq. in. | 6 | 2.58 sq. in. |
| 3/C - # 2 AWG | 0.800 sq. in. | 9 | 7.20 sq. in. |

Table 1

| Inside Width of Cable Tray inches | Allowable Cable Area square inches |
|-----------------------------------|------------------------------------|
| 6 | 7.0 |
| 9 | 10.5 |
| 12 | 14.0 |
| 18 | 21.0 |
| 24 | 28.0 |

The sum of the totals of the cross-sectional areas = 1.67 + 1.52 + 2.58 + 7.20 = 12.97 inches. Using Table 1, a 12 inch wide tray with an allowable cable area of 14 sq. inches should be used.

Note: Increasing the cable tray loading depth does not permit an increase in cable fill area for power and lighting cables. The maximum allowable fill area for all cable tray with a 3 inch or greater loading depth is limited to the fill area for a 3 inch loading depth.

Cent-R-Rail™ Sizing Guide

(4) 4/0 or Larger Cables Installed with Cables Smaller than 4/0

The ladder cable tray needs to be divided into two zones (a barrier or divider is not required, but one can be used if desired) so that the No. 4/0 and larger cables have a dedicated zone, as they must be placed in a single layer.

A direct method for determining the cable tray width is by figuring the cable tray widths that are required for each of the cable combinations, per steps (2) & (3); and then adding these widths together to select the proper cable tray width.

Example: Cable tray width is obtained as follows:

Part A- Width required for #4/0 AWG and larger multiconductor cables

| List Cable Sizes | (D) List Cable Outside Diameter | (N) List Number of Cables | Multiply (D) x (N) = Subtotal of the Sum of the Cable Diameters (Sd) |
|------------------|--|------------------------------------|---|
| 3/C - #500kcmil | 2.26 inches | 1 | 2.26 inches |
| 3/C - #4/0 AGW | 1.55 inches | 2 | 3.10 inches |

Cable tray width required for large cables = 2.26 + 3.10 = 5.36 inches.

Part B- Width required for multiconductor cables smaller than #4/0 AWG

| List Cable Sizes | (A) List Cable Cross Sectional Areas | (N) List Number of Cables | Multiply (A) x (N) = Total of the Cross-Sectional Area for Each Size |
|------------------|---|------------------------------------|---|
| 3/C - #12 AWG | 0.167 sq. in. | 10 | 1.67 sq. in. |
| 3/C - #6 AWG | 0.430 sq. in. | 8 | 3.44 sq. in. |
| 3/C - #2 AWG | 0.800 sq. in. | 2 | 1.60 sq. in. |

The sum of the total areas = 1.67 + 3.44 + 1.60 = 6.71 sq. inches.

From Table 1, the cable tray width required for small cables is 6 inches.

The total cable tray width = 5.36 + 6.00 = 11.36 inches; therefore a 12 inch wide cable tray is required.

II) Number of Single Conductor Cables, Rated 2000 Volts or Less, in DATA-TRACK™ and HALF-RACK™ (Excluding Straight Rung)

Single conductor cables installed in cable tray must be 1/0 or larger, and they can not be installed with continuous bottom pans.

(1) 1000 KCMIL or Larger Cables

The sum of the diameters (Sd) of all single conductor cables shall not exceed the cable tray width. See Table 3, page 121.

(2) 250 KCMIL to 1000 KCMIL Cables

The total sum of the cross-sectional areas of all the cables to be installed in the cable tray must be equal to or less than the allowable cable area for the tray width, as indicated in Table 2.

Table 2

| Inside Width of Cable Tray inches | Allowable Cable Area square inches |
|-----------------------------------|------------------------------------|
| 6 | 6.5 |
| 9 | 9.5 |
| 12 | 13.0 |
| 18 | 19.5 |
| 24 | 26.0 |

(3) Cables 1/0 through 4/0

These conductors must be installed in a single layer. See Table 3.

Note: It is the opinion of some that this practice may cause problems with unbalanced voltages. To avoid these potential problems, the cables for this type of cable tray wiring system should be bundled with ties. The bundle should contain the circuit's three phase conductors plus the neutral, if one is used. The single conductor cables should be firmly tied to the cable trays at intervals not greater than 6 feet.

Table 3
Number of 600 Volt Single Conductor
Cables that may be Installed in
Ladder Cable Tray

| Single Conductor Size | Outside Diameter in. | Area sq. in. | Cable Tray Width | | | | |
|-----------------------|-------------------------|-----------------|------------------|-------|--------|--------|--------|
| | | | 6 in. | 9 in. | 12 in. | 18 in. | 24 in. |
| 1/0 | 0.58 | - | 10 | 15 | 20 | 31 | 41 |
| 2/0 | 0.62 | - | 9 | 14 | 19 | 29 | 38 |
| 3/0 | 0.68 | - | 8 | 13 | 17 | 26 | 35 |
| 4/0 | 0.73 | - | 8 | 12 | 16 | 24 | 32 |
| 250 Kcmil | 0.84 | .55 | 11 | 18 | 24 | 35 | 47 |
| 350 Kcmil | 0.94 | .69 | 9 | 14 | 19 | 28 | 38 |
| 500 Kcmil | 1.07 | .90 | 7 | 11 | 14 | 22 | 29 |
| 750 Kcmil | 1.28 | 1.29 | 5 | 8 | 10 | 15 | 20 |
| 1000 Kcmil | 1.45 | - | 4 | 6 | 8 | 12 | 16 |

Cable diameters used are those for Oknite-Okolon 600 volt single conductor power cables.

III) Sizing Verti-Rack™ and Multi-Tier Half-Rack™

Due to the unique nature of multiple-tier cable trays, there are no existing guidelines for sizing these types of cable trays. However, the following tables are provided to assist you in comparing the usable widths and fill areas for the different Cent-R-Rail™ trays available.

WARNING!

Do Not Use As A Walkway, Ladder,
Or Support For Personnel.

Use Only As A Mechanical Support For Cables, Tubing and Raceways.

Catalog Number: C3ADB09-12-144 STR SECTION
 Shipping Ticket: 260203 00 001
 Mark Number: 78101115400
 Purchase Order: D798981
 Minimum Area: 0.60 SQ. IN.
 Load Class: D1 179 KG/M 3 METER SPAN

1 of 1
 09/15/2005
 000291745

COOPER B-Line
 www.cooperbline.com
 (618) 654-2184

30781011154005

This product is classified by Underwriters Laboratories, Inc. as to its suitability as an equipment grounding conductor only. 556E


VENTILATED
Reference File #LR36026

This cable tray label is attached to each straight section and fitting that is U.L. classified. U.L. assigned cross-sectional area is also stated in the loading charts in this catalog for each system.

Cent-R-Rail™ Sizing Guide


Usable Tray Width & Overall Outside Width:

Data-Track™




| Tray Width | | Usable Width | | | | Overall Outside Width | | | |
|------------|-------|--------------|-------|----------|-------|-----------------------|-------|----------|-------|
| in. | (mm) | Bottom Rung | | Top Rung | | Bottom Rung | | Top Rung | |
| | | in. | (mm) | in. | (mm) | in. | (mm) | in. | (mm) |
| 6 | (150) | 6 | (150) | 6 | (150) | 8.7 | (220) | 7.1 | (180) |
| 9 | (225) | 9 | (225) | 9 | (225) | 11.7 | (295) | 10.1 | (250) |
| 12 | (300) | 12 | (300) | 12 | (300) | 14.7 | (375) | 13.1 | (335) |
| 18 | (450) | 16 | (400) | 18 | (450) | 19.1 | (485) | 19.1 | (485) |
| 24 | (600) | 22 | (550) | 24 | (600) | 25.1 | (630) | 25.1 | (630) |

Verti-Rack™



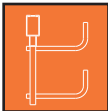
| Tray Width | | Total Usable Width | | | | | | | | | | Overall Outside Width | |
|------------|-------|--------------------|-------|--------|-------|--------|--------|--------|--------|--------|--------|-----------------------|-------|
| in. | (mm) | 2 tier | | 3 tier | | 4 tier | | 5 tier | | 6 tier | | in. | (mm) |
| | | in. | (mm) | in. | (mm) | in. | (mm) | in. | (mm) | in. | (mm) | | |
| 3 | (75) | 6 | (150) | 9 | (225) | 12 | (300) | 15 | (381) | 18 | (450) | 4.4 | (110) |
| 6 | (150) | 12 | (300) | 18 | (450) | 24 | (600) | 30 | (750) | 36 | (900) | 7.4 | (190) |
| 9 | (225) | 18 | (450) | 27 | (675) | 36 | (900) | 45 | (1125) | 54 | (1350) | 10.4 | (265) |
| 12 | (300) | 24 | (600) | 36 | (900) | 48 | (1200) | 60 | (1500) | 72 | (1800) | 13.4 | (340) |

Half-Rack™



| Tray Width | | Usable Width | | Overall Outside Width | |
|------------|-------|--------------|-------|-----------------------|-------|
| in. | (mm) | in. | (mm) | in. | (mm) |
| 3 | (75) | 3 | (75) | 5.2 | (130) |
| 6 | (150) | 6 | (150) | 8.2 | (210) |
| 9 | (225) | 9 | (225) | 11.2 | (285) |
| 12 | (300) | 12 | (300) | 14.2 | (360) |

Multi-Tier Half-Rack™



| Tray Width | | Total Usable Width | | | | | | Overall Outside Width | |
|------------|-------|--------------------|-------|--------|-------|--------|--------|-----------------------|-------|
| in. | (mm) | 2 tier | | 3 tier | | 4 tier | | in. | (mm) |
| | | in. | (mm) | in. | (mm) | in. | (mm) | | |
| 3 | (75) | 6 | (150) | 9 | (225) | 12 | (300) | 4.7 | (120) |
| 6 | (150) | 12 | (300) | 18 | (450) | 24 | (600) | 7.7 | (195) |
| 9 | (225) | 18 | (450) | 27 | (675) | 36 | (900) | 10.7 | (270) |
| 12 | (300) | 24 | (600) | 36 | (900) | 48 | (1200) | 13.7 | (350) |

Tray Fill Area & Overall Outside Height:

| Loading Depth in. (mm) | | Tray Width in. (mm) | | Fill Area | | | | Overall Outside Height | | | |
|---------------------------|-------|------------------------|-------|------------------|--------------------|------------------|--------------------|------------------------|-------|----------|-------|
| | | | | Bottom Rung | | Top Rung | | Bottom Rung | | Top Rung | |
| | | | | in. ² | (cm ²) | in. ² | (cm ²) | in. | (mm) | in. | (mm) |
| 3 | (75) | 6 | (150) | 18 | (120) | 18 | (120) | 3.7 | (95) | 6.1 | (155) |
| | | 9 | (225) | 27 | (180) | 27 | (180) | | | | |
| | | 12 | (300) | 36 | (240) | 36 | (240) | | | | |
| | | 18 | (450) | 49 | (325) | 54 | (360) | | | | |
| | | 24 | (600) | 67 | (450) | 72 | (480) | | | | |
| 4 | (100) | 6 | (150) | 24 | (160) | 24 | (160) | 4.7 | (120) | 7.1 | (180) |
| | | 9 | (225) | 36 | (240) | 36 | (240) | | | | |
| | | 12 | (300) | 48 | (320) | 48 | (320) | | | | |
| | | 18 | (450) | 65 | (420) | 72 | (480) | | | | |
| | | 24 | (600) | 89 | (575) | 96 | (640) | | | | |
| 6 | (150) | 6 | (150) | 36 | (240) | 36 | (240) | 6.7 | (170) | 9.1 | (230) |
| | | 9 | (225) | 54 | (360) | 54 | (360) | | | | |
| | | 12 | (300) | 72 | (480) | 72 | (480) | | | | |
| | | 18 | (450) | 98 | (630) | 108 | (700) | | | | |
| | | 24 | (600) | 134 | (865) | 144 | (930) | | | | |

Data-Track™



Cent-R-Rail

| Loading Depth in. (mm) | | Tray Width in. (mm) | | Fill Area | | | | | | | | | |
|---------------------------|------|------------------------|-------|------------------|--------------------|------------------|--------------------|------------------|--------------------|------------------|--------------------|------------------|--------------------|
| | | | | 2 tier | | 3 tier | | 4 tier | | 5 tier | | 6 tier | |
| | | | | in. ² | (cm ²) | in. ² | (cm ²) | in. ² | (cm ²) | in. ² | (cm ²) | in. ² | (cm ²) |
| 2 | (50) | 3 | (75) | 12 | (80) | 18 | (120) | 24 | (160) | 30 | (200) | 36 | (240) |
| | | 6 | (150) | 24 | (160) | 36 | (240) | 48 | (320) | 60 | (400) | 72 | (480) |
| | | 9 | (225) | 36 | (240) | 54 | (360) | 72 | (480) | 90 | (600) | 108 | (700) |
| | | 12 | (300) | 48 | (320) | 72 | (480) | 96 | (640) | 120 | (800) | 144 | (930) |

Verti-Rack™



| Overall Outside Height | | | | | | | | | |
|------------------------|-------|--------|-------|--------|-------|--------|-------|--------|-------|
| 2 tier | | 3 tier | | 4 tier | | 5 tier | | 6 tier | |
| in. | (mm) | in. | (mm) | in. | (mm) | in. | (mm) | in. | (mm) |
| 9.3 | (235) | 13.3 | (340) | 17.3 | (440) | 21.3 | (540) | 25.3 | (645) |

Half-Rack™



| Loading Depth | | Tray Width | | Fill Area | | Overall Outside Height | |
|---------------|-------|------------|-------|------------------|--------------------|------------------------|-------|
| in. | (mm) | in. | (mm) | in. ² | (cm ²) | in. | (mm) |
| 3 | (75) | 3 | (75) | 9 | (60) | 3.7 | (95) |
| | | 6 | (150) | 18 | (120) | | |
| | | 9 | (225) | 27 | (180) | | |
| | | 12 | (300) | 36 | (240) | | |
| 4 | (100) | 3 | (75) | 12 | (80) | 4.7 | (120) |
| | | 6 | (150) | 24 | (160) | | |
| | | 9 | (225) | 36 | (240) | | |
| | | 12 | (300) | 48 | (320) | | |
| 6 | (150) | 3 | (75) | 18 | (120) | 6.7 | (170) |
| | | 6 | (150) | 36 | (240) | | |
| | | 9 | (225) | 54 | (360) | | |
| | | 12 | (300) | 72 | (480) | | |

Multi-Tier Half-Rack™



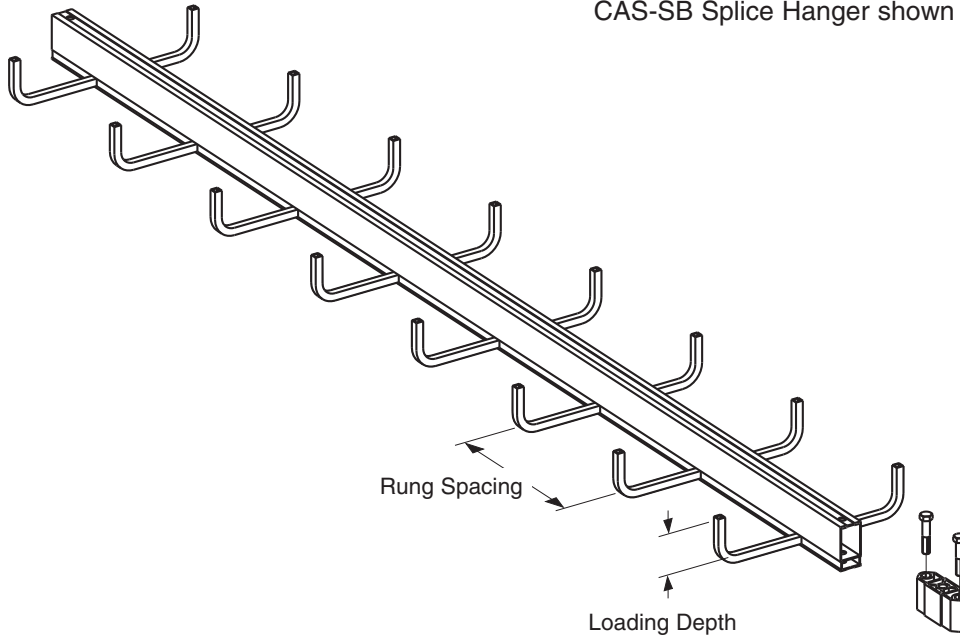
| Loading Depth | | Tray Width | | Fill Area | | | | | |
|---------------|-------|------------|-------|------------------|--------------------|------------------|--------------------|------------------|--------------------|
| | | | | 2 tier | | 3 tier | | 4 tier | |
| in. | (mm) | in. | (mm) | in. ² | (cm ²) | in. ² | (cm ²) | in. ² | (cm ²) |
| 3 | (75) | 3 | (75) | 18 | (120) | 27 | (180) | 36 | (240) |
| | | 6 | (150) | 36 | (240) | 54 | (360) | 72 | (480) |
| | | 9 | (225) | 54 | (360) | 81 | (525) | 108 | (700) |
| | | 12 | (300) | 72 | (480) | 108 | (700) | 144 | (930) |
| 4 | (100) | 3 | (75) | 24 | (160) | 36 | (240) | 48 | (320) |
| | | 6 | (150) | 48 | (320) | 72 | (480) | 96 | (640) |
| | | 9 | (225) | 72 | (480) | 108 | (700) | 144 | (930) |
| | | 12 | (300) | 96 | (640) | 144 | (930) | 192 | (1240) |

| Overall Outside Height | | | | | |
|------------------------|-------|--------|-------|--------|-------|
| 2 tier | | 3 tier | | 4 tier | |
| in. | (mm) | in. | (mm) | in. | (mm) |
| 11.3 | (285) | 17.3 | (440) | 23.3 | (590) |



Data-Track™

Data-Track Straight Section with CAS-SB Splice Hanger shown



- One CAS-SB Splice Hanger provided with each straight section
- For overall height and width dimension see pages 122 & 123

Patented (see page 117)

Data-Track Straight Section Part Numbering

C3 A DB 09 - 12 - 144

| Series | Material | Type | Rung Spacing | Width | Length* |
|-------------------------|----------------|--------------------|--------------|------------|--------------|
| ● C0 = Straight Rung | ● A = Aluminum | ● DB = Bottom Rung | ● 06 = 6" | ● 06 = 6" | ● 144 = 144" |
| ● C3 = 3" Loading Depth | | ● DT = Top Rung | ● 09 = 9" | ● 09 = 9" | ● 120 = 120" |
| ● C4 = 4" Loading Depth | | | ● 12 = 12" | ● 12 = 12" | |
| ● C6 = 6" Loading Depth | | | | ● 18 = 18" | |
| | | | | ● 24 = 24" | |

* Actual tray lengths are 142" and 118" to allow for splice hangers

● Green = Fastest shipped items ● Black = Normal lead-time items ● Red = Normally long lead-time items

Data-Track™



Data-Track Load Capacities

| Tray Width | | Rung Spacing | | Support Span ft. (m) | | | | | | | | Rung * Deflection Multiplier | Avg. Empty Tray Weight | | | |
|------------|-------|--------------|-------|----------------------|--------|---------|--------|---------|--------|----------|--------|------------------------------|------------------------|---------|----------|--------|
| | | | | 5 (1.5) | | 6 (1.8) | | 8 (2.4) | | 10 (3.0) | | | | | 12 (3.7) | |
| | | | | lbs/ft | (kg/m) | lbs/ft | (kg/m) | lbs/ft | (kg/m) | lbs/ft | (kg/m) | | | | lbs/ft | (kg/m) |
| 6 | (150) | 6 | (150) | 646 | (961) | 448 | (667) | 252 | (375) | 161 | (240) | 112 | (167) | 0.00002 | 1.38 | (2.05) |
| | | 9 | (225) | 532 | (793) | 448 | (667) | 252 | (375) | 161 | (240) | 112 | (167) | 0.00003 | 1.25 | (1.86) |
| | | 12 | (300) | 400 | (595) | 400 | (595) | 252 | (375) | 161 | (240) | 112 | (167) | 0.00004 | 1.20 | (1.79) |
| 9 | (225) | 6 | (150) | 532 | (793) | 448 | (667) | 252 | (375) | 161 | (240) | 112 | (167) | 0.00005 | 1.45 | (2.16) |
| | | 9 | (225) | 354 | (527) | 354 | (527) | 252 | (375) | 161 | (240) | 112 | (167) | 0.00008 | 1.30 | (1.93) |
| | | 12 | (300) | 266 | (396) | 266 | (396) | 252 | (375) | 161 | (240) | 112 | (167) | 0.00010 | 1.24 | (1.85) |
| 12 | (300) | 6 | (150) | 400 | (595) | 400 | (595) | 252 | (375) | 161 | (240) | 112 | (167) | 0.00020 | 1.53 | (2.28) |
| | | 9 | (225) | 266 | (396) | 266 | (396) | 252 | (375) | 161 | (240) | 112 | (167) | 0.00020 | 1.35 | (2.01) |
| | | 12 | (300) | 200 | (298) | 200 | (298) | 200 | (298) | 161 | (240) | 112 | (167) | 0.00030 | 1.28 | (1.90) |
| 18 | (450) | 6 | (150) | 266 | (396) | 266 | (396) | 252 | (375) | 161 | (240) | 112 | (167) | 0.00050 | 1.69 | (2.51) |
| | | 9 | (225) | 178 | (265) | 178 | (265) | 178 | (265) | 161 | (240) | 112 | (167) | 0.00070 | 1.46 | (2.17) |
| | | 12 | (300) | 134 | (199) | 134 | (199) | 134 | (199) | 134 | (199) | 112 | (167) | 0.00090 | 1.35 | (2.01) |
| 24 | (600) | 6 | (150) | 200 | (298) | 200 | (298) | 200 | (298) | 161 | (240) | 112 | (167) | 0.00110 | 1.85 | (2.75) |
| | | 9 | (225) | 134 | (199) | 134 | (199) | 134 | (199) | 134 | (199) | 112 | (167) | 0.00170 | 1.56 | (2.32) |
| | | 12 | (300) | 100 | (149) | 100 | (149) | 100 | (149) | 100 | (149) | 100 | (149) | 0.00220 | 1.43 | (2.13) |

Safety Factor = 1.5 for load capacities

For unbalanced load information see appendix page 171

For Seismic Restraint Systems see appendix page 172

| | Support Span (feet) | | | | |
|------------------------------------|---------------------|--------|--------|--------|--------|
| | 5 | 6 | 8 | 10 | 12 |
| Center Rail Deflection Multiplier* | 0.0012 | 0.0025 | 0.0079 | 0.0192 | 0.0397 |

* Deflection multipliers are given for English units. To determine deflection in millimeters, first calculate deflection in inches and then multiply by 25.4.

To calculate the center rail simple beam deflection at mid span in inches for a specific support span (ft), multiply the "center rail deflection multiplier" for that span by the load in lbs/ft that will be installed in the cable tray.

Example: The center rail deflection for 50 lbs/ft supported every 12 ft = 50 x .0397 = 2.0 inches.

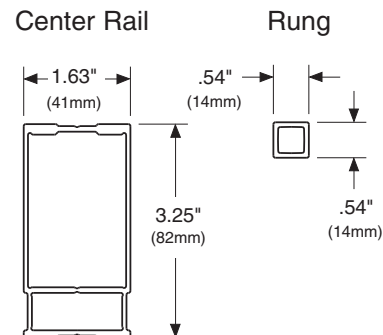
Note: When trays are used in continuous spans, the deflection is reduced by as much as 50%.

To calculate the rung deflection in inches for a specific tray width (in.) and rung spacing (in.), multiply the rung deflection multiplier for that width and rung spacing by the load in lbs/ft that will be installed in the cable tray.

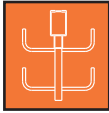
Example: The rung deflection for 50 lbs/ft in a 12" wide tray with 9" rung spacing = 50 x .0002 = .01 inches.

Note: The rung deflection multiplier is based on a uniformly distributed load.

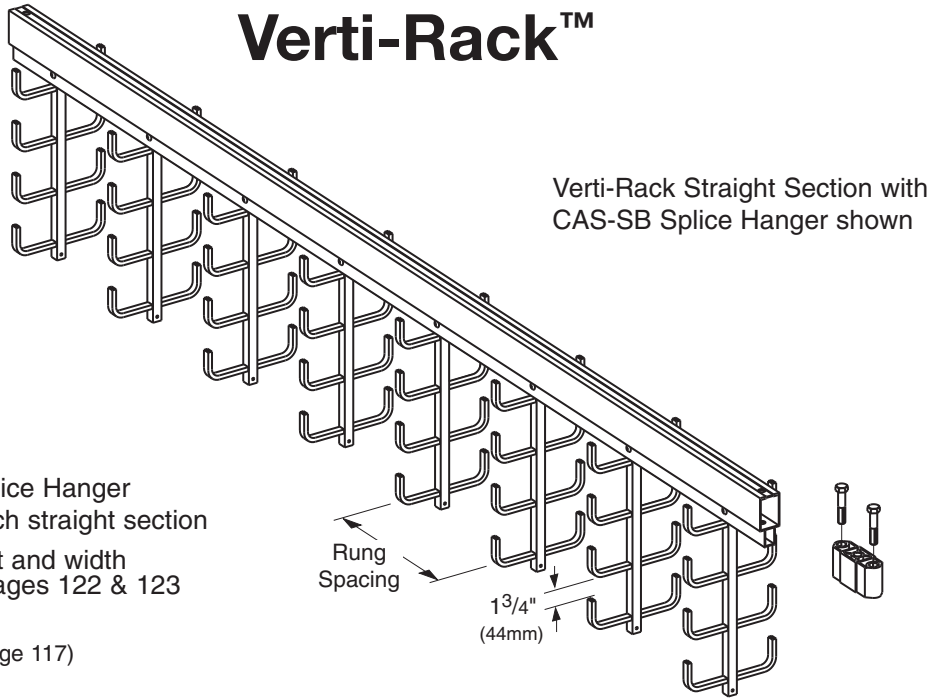
| Section Property | | Center Rail | Rungs |
|------------------|--------------------|-------------|--------|
| Area | in ² | 0.88 | 0.13 |
| | (cm ²) | (5.68) | (0.84) |
| Sx | in ³ | 0.70 | 0.02 |
| | (cm ³) | (11.49) | (0.31) |
| Ix | in ⁴ | 1.17 | 0.005 |
| | (cm ⁴) | (48.87) | (0.21) |



Cent-R-Rail™ - Straight Sections



Verti-Rack™



- One CAS-SB Splice Hanger provided with each straight section
- For overall height and width dimension see pages 122 & 123

Patented (see page 117)

Verti-Rack Straight Section Part Numbering

C2 A 4V 12 - 09 - 144

| Series | Material | Type† | Rung Spacing | Width† | Length* |
|---|--|---|--|---|--|
| <ul style="list-style-type: none"> ● C0 = Straight Rung ● C2 = 2" Loading Depth | <ul style="list-style-type: none"> ● A = Aluminum | <ul style="list-style-type: none"> ● 2V = 2 tier ● 3V = 3 tier ● 4V = 4 tier ● 5V = 5 tier ● 6V = 6 tier | <ul style="list-style-type: none"> ● 06 = 6" ● 09 = 9" ● 12 = 12" ● (Specials available) | <ul style="list-style-type: none"> ● 03 = 3" ● 06 = 6" ● 09 = 9" ● 12 = 12" | <ul style="list-style-type: none"> ● 144 = 144" ● 120 = 120" |

* Actual tray lengths are 142" and 118" to allow for splice hangers

† For inverted, multiple or special sizes and widths see appendix pages 173, 174, 175

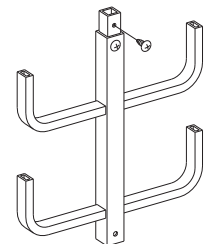
Expand your Verti-Rack system with ADD-A-Rung™

- Attaches to bottom of existing tray
- Shipped with required hardware

ADD-A-Rung Part Numbering

CAR-2 V 2 12

| No. of Tiers | Loading Depth | Width |
|--|---|---|
| <ul style="list-style-type: none"> ● 1 = 1 tier ● 2 = 2 tier | <ul style="list-style-type: none"> ● 0 = Straight Rung ● 2 = 2" Loading Depth | <ul style="list-style-type: none"> ● 03 = 3" ● 06 = 6" ● 09 = 9" ● 12 = 12" |



Note: Not to exceed 100 lbs/ft on 12 ft span, 225 lbs/ft on 8 ft span.

● Green = Fastest shipped items ● Black = Normal lead-time items ● Red = Normally long lead-time items

Verti-Rack™



| Support Span | | Total System Load Capacities | | Center Rail* Deflection Multiplier |
|--------------|-------|------------------------------|--------|------------------------------------|
| ft | (m) | lbs/ft | (kg/m) | |
| 5 | (1.5) | 300 | (450) | 0.0010 |
| 6 | (1.8) | 300 | (450) | 0.0020 |
| 8 | (2.4) | 225 | (335) | 0.0063 |
| 10 | (3.0) | 144 | (214) | 0.0155 |
| 12 | (3.7) | 100 | (149) | 0.0321 |

| Tray Width | | Rung Spacing | | Per Tier Load Capacity | | Rung* Deflection Multiplier | Avg. Empty Tray Weight | |
|------------|-------|--------------|-------|------------------------|--------|-----------------------------|------------------------|--------|
| in. | (mm) | in. | (mm) | lbs/ft | (kg/m) | | lbs/ft | (kg/m) |
| 3 | (75) | 6 | (150) | 608 | (905) | 0.00001 | 2.09 | (3.11) |
| | | 9 | (225) | 408 | (607) | 0.00002 | 1.72 | (2.56) |
| | | 12 | (300) | 304 | (452) | 0.00002 | 1.55 | (2.31) |
| 6 | (150) | 6 | (150) | 304 | (452) | 0.00010 | 2.31 | (3.44) |
| | | 9 | (225) | 204 | (304) | 0.00020 | 1.86 | (2.77) |
| | | 12 | (300) | 152 | (226) | 0.00020 | 1.66 | (2.47) |
| 9 | (225) | 6 | (150) | 203 | (302) | 0.00030 | 2.53 | (3.76) |
| | | 9 | (225) | 136 | (202) | 0.00040 | 2.00 | (2.98) |
| | | 12 | (300) | 102 | (152) | 0.00050 | 1.77 | (2.63) |
| 12 | (300) | 6 | (150) | 152 | (226) | 0.00060 | 2.75 | (4.09) |
| | | 9 | (225) | 102 | (152) | 0.00090 | 2.14 | (3.18) |
| | | 12 | (300) | 76 | (113) | 0.00120 | 1.88 | (2.80) |

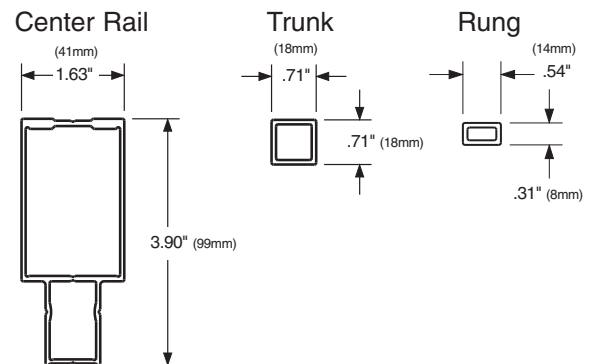
Safety Factor = 1.5 for load capacities

* Deflection multipliers are given for English units. To determine deflection in millimeters, first calculate deflection in inches and then multiply by 25.4.

Example: The center rail deflection for 50 lbs/ft supported every 12 ft = $50 \times .0321 = 1.6$ inches.

Example: The rung deflection for 50 lbs/ft in a 12" wide tray with 9" rung spacing = $50 \times .0009 = .05$ inches.

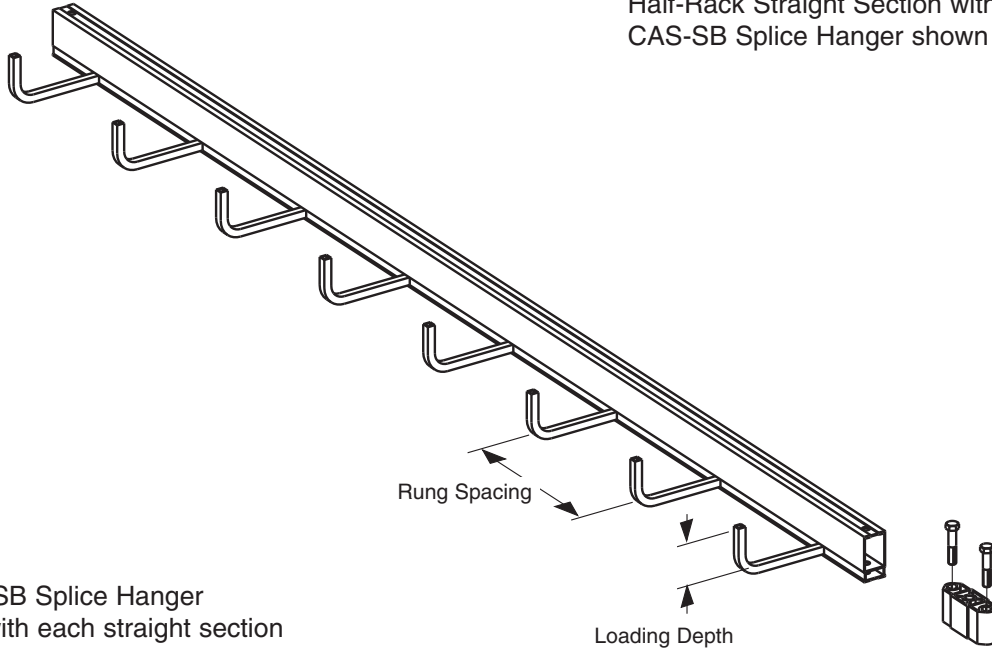
| Section Property | | Center Rail | Rungs | Trunk |
|------------------|--------------------|-------------|--------|--------|
| Area | in ² | 0.88 | 0.09 | 0.18 |
| | (cm ²) | (5.68) | (0.61) | (1.16) |
| Sx | in ³ | 0.56 | 0.01 | N/A |
| | (cm ³) | (9.15) | (0.12) | (N/A) |
| Ix | in ⁴ | 1.27 | 0.001 | N/A |
| | (cm ⁴) | (52.99) | (0.04) | (N/A) |





Half-Rack™

Half-Rack Straight Section with CAS-SB Splice Hanger shown



- One CAS-SB Splice Hanger provided with each straight section
- For overall height and width dimension see pages 122 & 123

Patented (see page 117)

Half-Rack Straight Section Part Numbering

C3 A 1H 09 - 12 - 144

| Series | Material | Type | Rung Spacing | Width | Length* |
|-------------------------|----------------|---------------|--------------|------------|--------------|
| ● C0 = Straight Rung | ● A = Aluminum | ● 1H = 1 tier | ● 06 = 6" | ● 03 = 3" | ● 144 = 144" |
| ● C3 = 3" Loading Depth | | | ● 09 = 9" | ● 06 = 6" | ● 120 = 120" |
| ● C4 = 4" Loading Depth | | | ● 12 = 12" | ● 09 = 9" | |
| ● C6 = 6" Loading Depth | | | | ● 12 = 12" | |

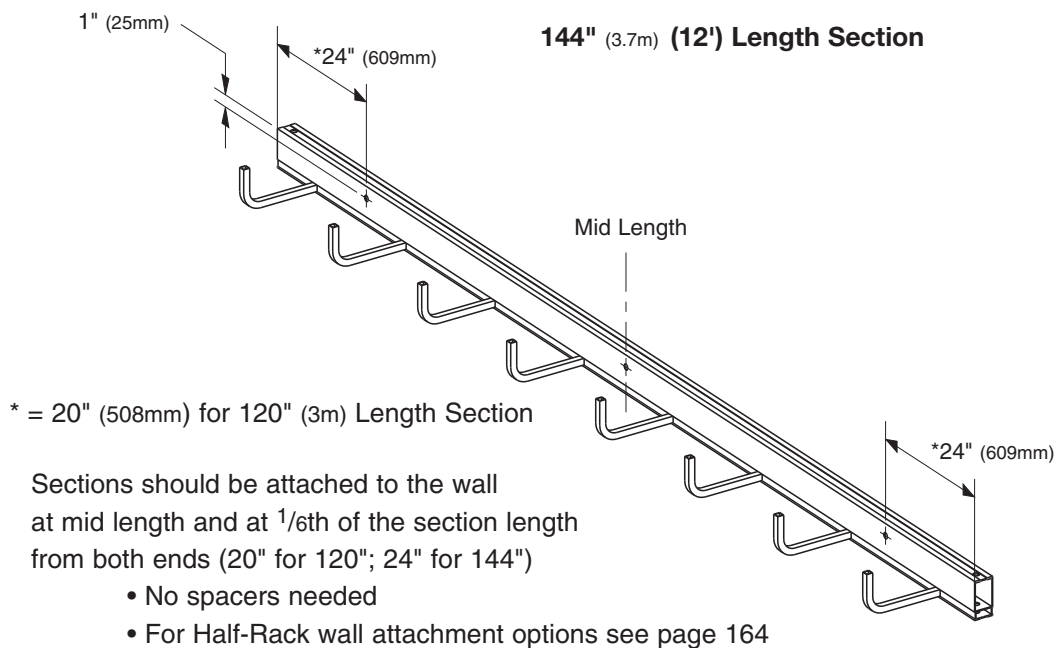
* Actual tray lengths are 142" and 118" to allow for splice hangers

● Green = Fastest shipped items ● Black = Normal lead-time items ● Red = Normally long lead-time items

Half-Rack™ Half-Rack Loading Guidelines

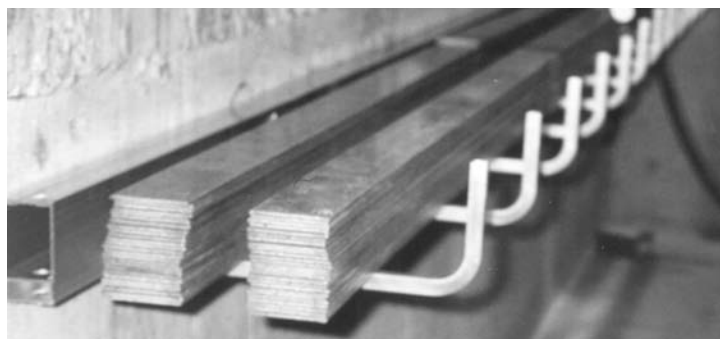


• Support Locations

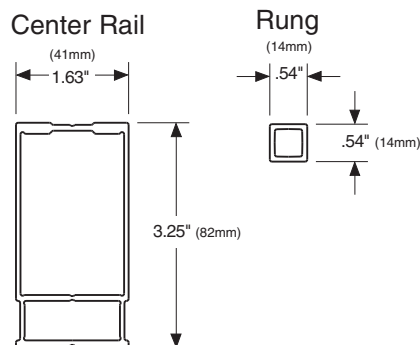


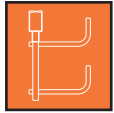
• Loading Recommendations

- CSA classified A-3M
- 50 lbs/ft (74kg/m) maximum based on 3/4" (19mm) rung deflection

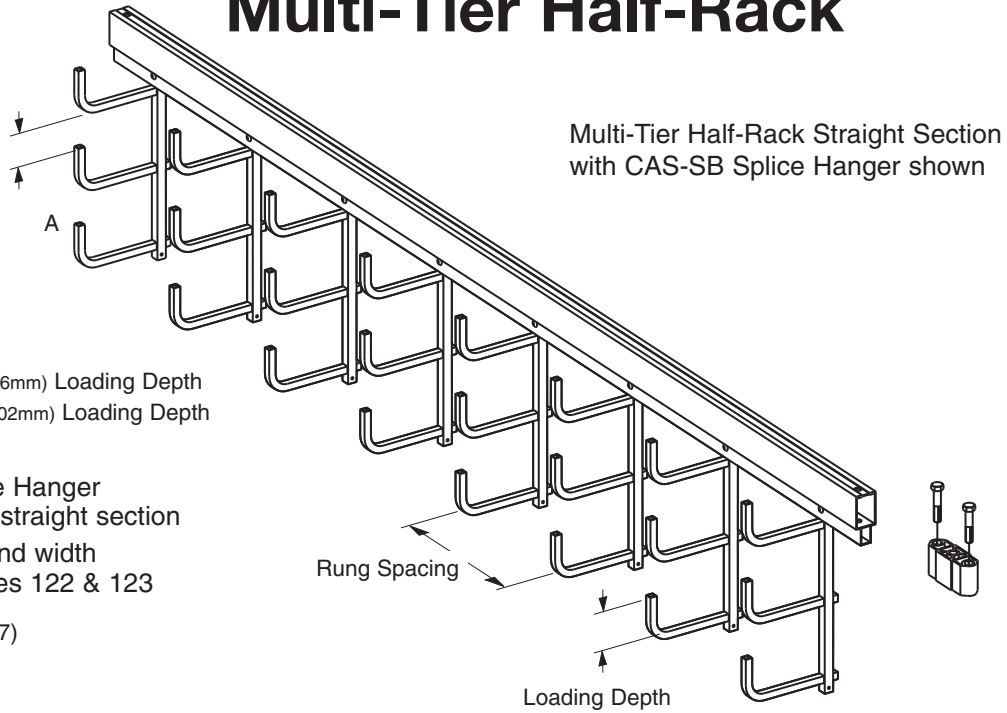


| Section Property | | Center Rail | Rungs |
|------------------|--------------------|-------------|--------|
| Area | in ² | 0.88 | 0.13 |
| | (cm ²) | (5.68) | (0.84) |
| Sx | in ³ | 0.70 | 0.02 |
| | (cm ³) | (11.49) | (0.31) |
| Ix | in ⁴ | 1.27 | 0.005 |
| | (cm ⁴) | (52.99) | (0.21) |





Multi-Tier Half-Rack™



A = 2⁵/₈" (67mm) for 3" (76mm) Loading Depth
 = 1³/₄" (44mm) for 4" (102mm) Loading Depth

- One CAS-SB Splice Hanger provided with each straight section
- For overall height and width dimension see pages 122 & 123

Patented (see page 117)

Multi-Tier Half-Rack Straight Section Part Numbering

C3 A 2M 09 - 12 - 144

| Series | Material | Type | Rung Spacing | Width† | Length* |
|-------------------------|----------------|---------------|----------------------|------------|--------------|
| ● C0 = Straight Rung | ● A = Aluminum | ● 2M = 2 tier | ● 06 = 6" | ● 03 = 3" | ● 144 = 144" |
| ● C3 = 3" Loading Depth | | ● 3M = 3 tier | ● 09 = 9" | ● 06 = 6" | ● 120 = 120" |
| ● C4 = 4" Loading Depth | | ● 4M = 4 tier | ● 12 = 12" | ● 09 = 9" | |
| | | | (Specials available) | ● 12 = 12" | |

* Actual tray lengths are 142" and 118" to allow for splice hangers

† For multiple widths see appendix pages 173 & 174

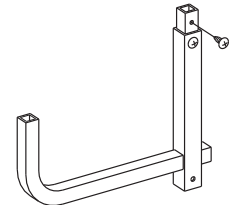
Expand your Multi-Tier Half-Rack system with ADD-A-Rung™

- Attaches to bottom of existing tray
- Shipped with required hardware

ADD-A-Rung Part Numbering

CAR-2 M 3 12

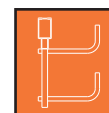
| No. of Tiers | Loading Depth | Width |
|--------------|------------------------|------------|
| ● 1 = 1 tier | ● 0 = Straight Rung | ● 03 = 3" |
| ● 2 = 2 tier | ● 3 = 3" Loading Depth | ● 06 = 6" |
| | ● 4 = 4" Loading Depth | ● 09 = 9" |
| | | ● 12 = 12" |



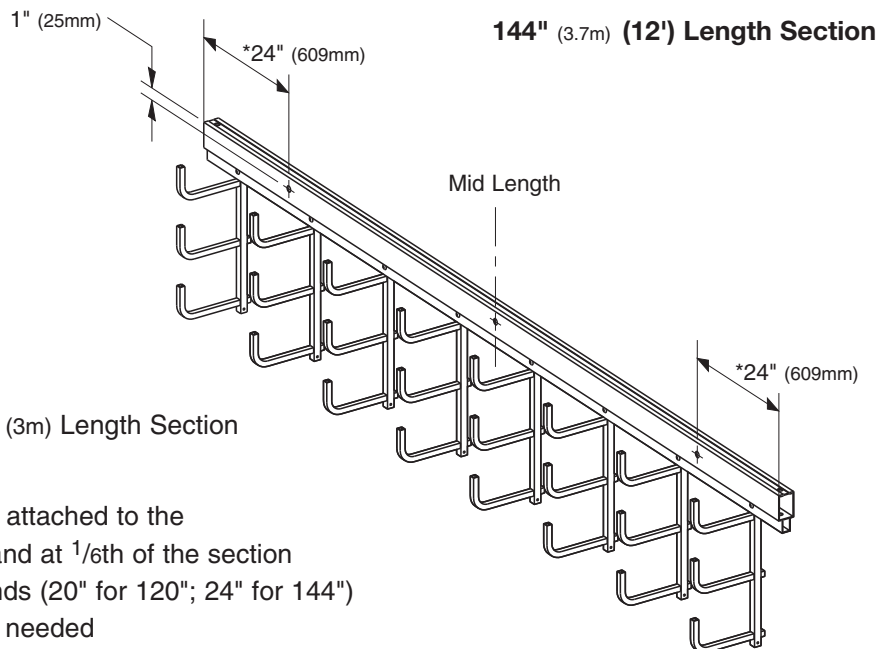
● Green = Fastest shipped items ● Black = Normal lead-time items ● Red = Normally long lead-time items

Multi-Tier Half-Rack™

Multi-Tier Half-Rack Loading Guidelines



• Support Locations



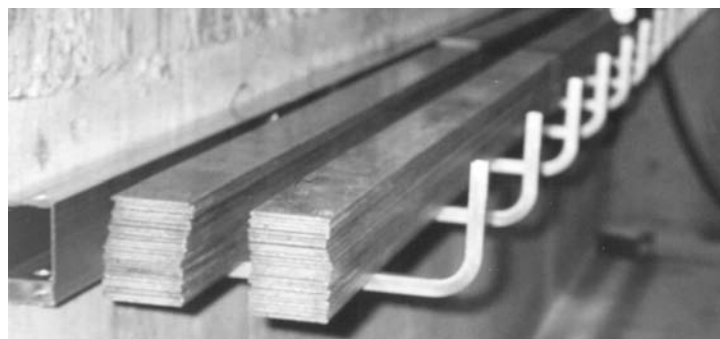
* = 20" (508mm) for 120" (3m) Length Section

Sections should be attached to the wall at mid length and at 1/6th of the section length from both ends (20" for 120"; 24" for 144")

- No spacers needed
- For Multi-Tier Half-Rack wall attachment options see page 165

• Loading Recommendations

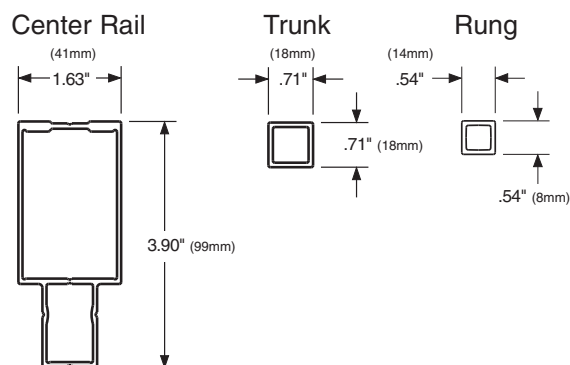
- 50 lbs/ft (74kg/m) maximum based on 3/4" (19mm) rung deflection



Half-Rack shown

For Seismic Restraint Systems see appendix page 172

| Section Property | | Center Rail | Rungs | Trunk |
|------------------|--------------------|-------------|--------|--------|
| Area | in ² | 0.88 | 0.13 | 0.18 |
| | (cm ²) | (5.68) | (0.84) | (1.16) |
| Sx | in ³ | 0.56 | 0.02 | N/A |
| | (cm ³) | (9.15) | (0.31) | (N/A) |
| Ix | in ⁴ | 1.27 | 0.005 | N/A |
| | (cm ⁴) | (52.99) | (0.21) | (N/A) |



Application System Icons

The parts in the following catalog sections can be used with one or more of the Cent-R-Rail systems. We have provided the following application icons to indicate the systems each item is compatible with.



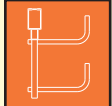
Compatibility with Data-Track™



Compatibility with VertI-Rack™

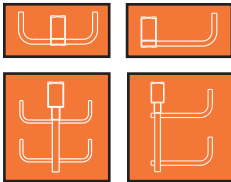
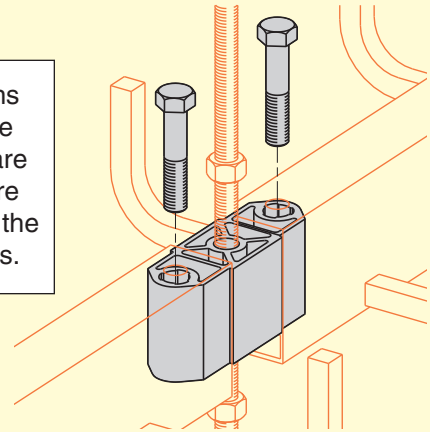


Compatibility with Half-Rack™



Compatibility with Multi-Tier Half-Rack™

Shaded items shown in the illustrations are items that are provided with the part numbers.

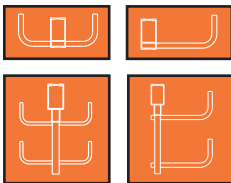
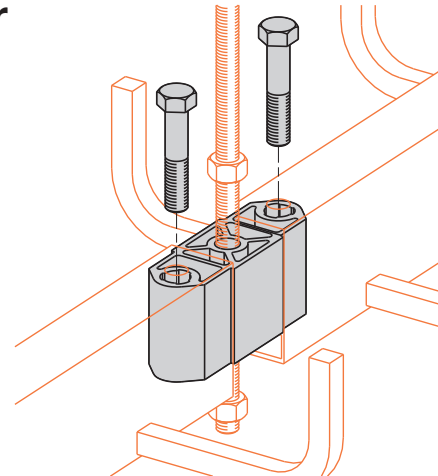


Qwik-Bolt™ Splice Hanger

| |
|----------|
| Cat. No. |
| ● CAS-SB |

Patented (see page 117)

- One splice included with each straight section
- Bolts screw directly into splice, minimizing hardware
- Splice protects cables from center rail edges
- Vertical hardware removes hardware from cable fill area
- Shipped assembled with required hardware
- Designed to install with 1/2" ATR
- UL classified for grounding - 1000 amps

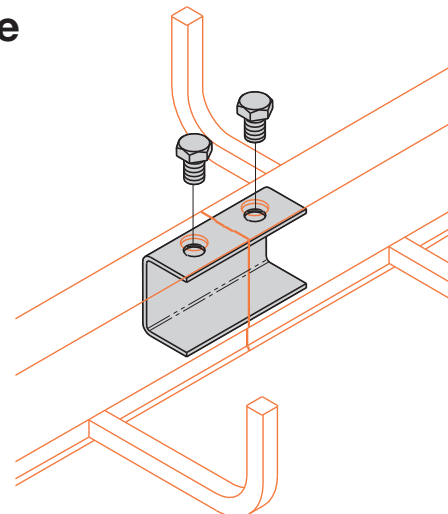


Qwik-Bolt™ No Gap Splice

| |
|----------|
| Cat. No. |
| ● CAS-NG |

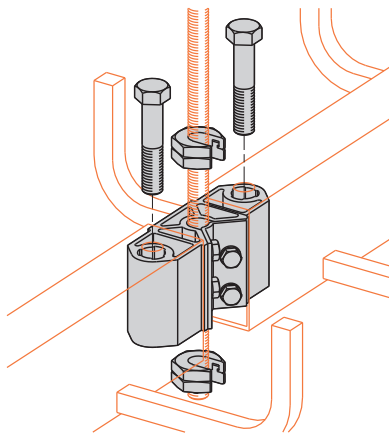
Patented (see page 117)

- A straight splice option
- Bolts screw directly into splice, minimizing hardware
- Vertical hardware removes hardware from cable fill area
- Shipped assembled with required hardware
- UL classified for grounding - 1000 amps
- Straight section length (using this splice) is 142 or 118 inches
- For use where ATR is not required through the splice hanger



Note: All connectors are aluminum material and sized for 1/2" zinc plated steel hardware, unless otherwise specified.

● Green = Fastest shipped items ● Black = Normal lead-time items ● Red = Normally long lead-time items

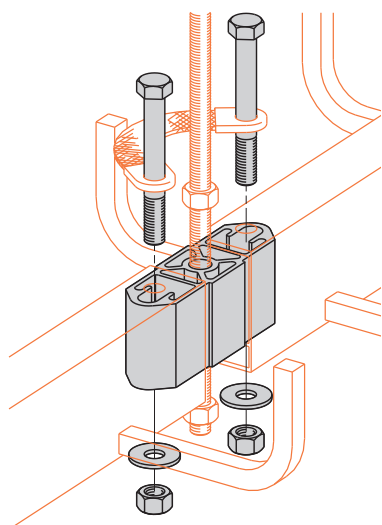
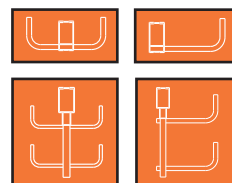


Qwik-Bolt™ Splice Hanger

| Cat. No. |
|-----------------|
| ● CAS-CB |

Patented (see page 117)

- Side mounts to existing 1/2" ATR
- Qwik-Bolt design
- Shipped with required hardware
- UL classified for grounding - 1000 amps



Expansion Splice Hanger

| Cat. No. | Tray Type |
|------------------|-------------------------------------|
| ● CAS-EB1 | Data-Track™ & Half-Rack™ |
| ● CAS-EB2 | Verti-Rack™ & Multi-Tier Half-Rack™ |

Patented (see page 117)

- Allows for 1" (25mm) of tray expansion and contraction
- Shipped with required hardware
- Order grounding jumper CAM-GJ separately (see page 148)

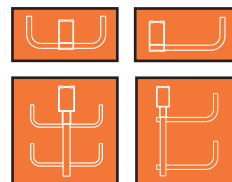
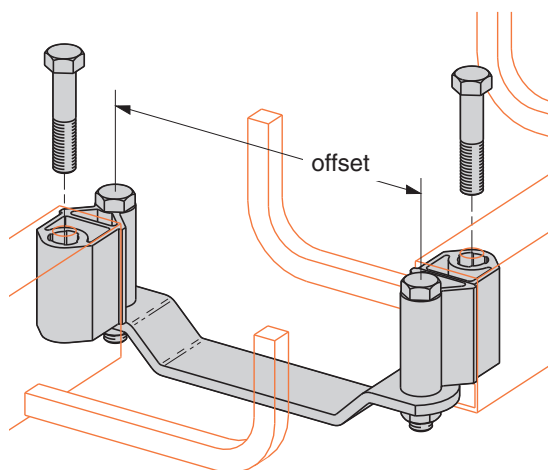


Table 1
Maximum Spacing
Between Expansion
Joints that Provide for
1" (25mm) Movement

| Temperature Differential | | Aluminum | |
|--------------------------|------|----------|------|
| °F | (°C) | ft | (m) |
| 25 | (14) | 260 | (79) |
| 50 | (28) | 130 | (40) |
| 75 | (42) | 87 | (27) |
| 100 | (56) | 65 | (20) |
| 125 | (69) | 52 | (16) |
| 150 | (83) | 43 | (13) |
| 175 | (97) | 37 | (11) |

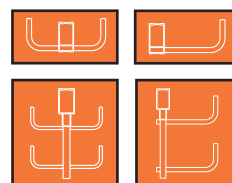
It is important that thermal contraction and expansion be considered when installing cable tray systems. The length of the straight cable tray runs and the temperature differential govern the number of expansion splice plates required (See Table 1).

Horizontal Offset Coupling



| Cat. No. | Offset | |
|---------------------|--------|-------|
| | in. | (mm) |
| ● CAC-OH050B | 5.0 | (125) |
| ● CAC-OH065B | 6.5 | (165) |
| ● CAC-OH080B | 8.0 | (200) |
| ● CAC-OH100B | 10.0 | (250) |
| ● CAC-OH130B | 13.0 | (330) |

- Designed to provide horizontal offset
- Ideal for connecting Data-Track™ to Half-Rack™
- Pivoting connections
- Qwik-Bolt design
- Shipped assembled with required hardware
- UL classified for grounding - 1000 amps
- 7/8" (22mm) adjustment on offset

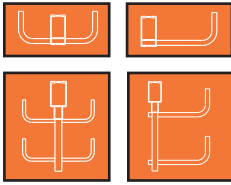


Patented (see page 117)

Refer to tray widths on
pg. 122 to determine
offset needed

Note: All connectors are aluminum material and sized for 1/2" zinc plated steel hardware, unless otherwise specified.

● Green = Fastest shipped items ● Black = Normal lead-time items ● Red = Normally long lead-time items

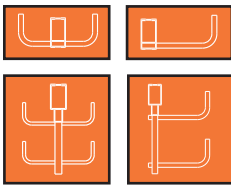
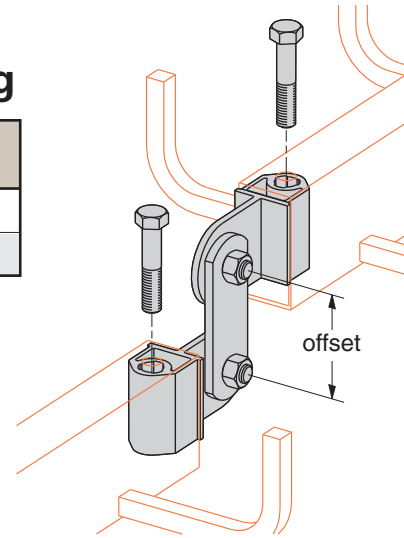


Vertical Offset Coupling

| Cat. No. | Offset | |
|--------------|--------|-------|
| | in. | (mm) |
| ● CAC-OV030B | 3.0 | (75) |
| ● CAC-OV060B | 6.0 | (150) |

Patented (see page 117)

- Designed to provide vertical offset
- Pivoting connections
- Qwik-Bolt™ design
- Shipped assembled with required hardware
- UL classified for grounding - 1000 amps

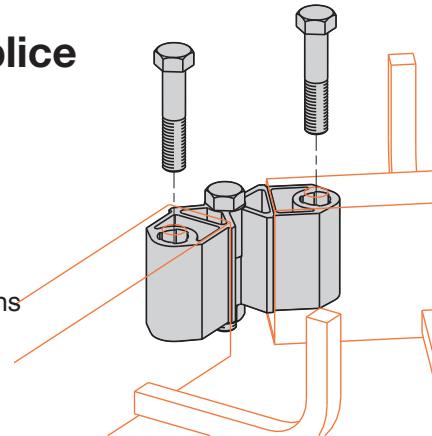


Horizontal Adjustable Splice

| Cat. No. |
|----------|
| ● CAS-HB |

Patented (see page 117)

- Allows random angle horizontal bend
- Also can be used to connect straight sections at mid-run locations
- Qwik-Bolt design
- Shipped assembled with required hardware
- UL classified for grounding - 1000 amps



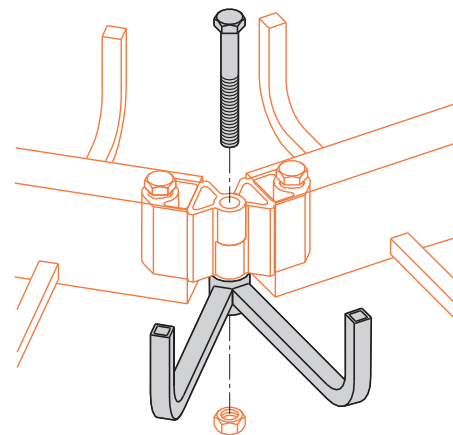
Horizontal Bend Rung Support

| Cat. No. |
|-------------|
| ● CAR-H3-06 |
| ● CAR-H3-09 |
| ● CAR-H3-12 |
| ● CAR-H3-18 |
| ● CAR-H3-24 |
| ● CAR-H4-06 |
| ● CAR-H4-09 |
| ● CAR-H4-12 |
| ● CAR-H4-18 |
| ● CAR-H4-24 |
| ● CAR-H6-06 |
| ● CAR-H6-09 |
| ● CAR-H6-12 |
| ● CAR-H6-18 |
| ● CAR-H6-24 |

| Cat. No. | |
|---------------|------------|
| CAR-H3-06 | |
| Loading Depth | Tray Width |
| 3 = 3" | 06 = 6" |
| 4 = 4" | 09 = 9" |
| 6 = 6" | 12 = 12" |
| | 18 = 18" |
| | 24 = 24" |

Patented (see page 117)

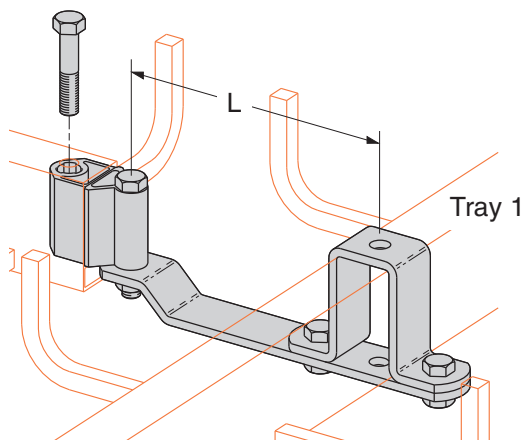
- Use with CAS-HB
- For additional cable support on the outside of bends
- Select fill depth and width required
- Shipped with required hardware (1 pc. HHCS - 1/2" x 4" znplt)
- Rungs set at 45° angle



Note: All connectors are aluminum material and sized for 1/2" zinc plated steel hardware, unless otherwise specified.

● Green = Fastest shipped items ● Black = Normal lead-time items ● Red = Normally long lead-time items

Data-Track™ Horizontal Tee Coupling

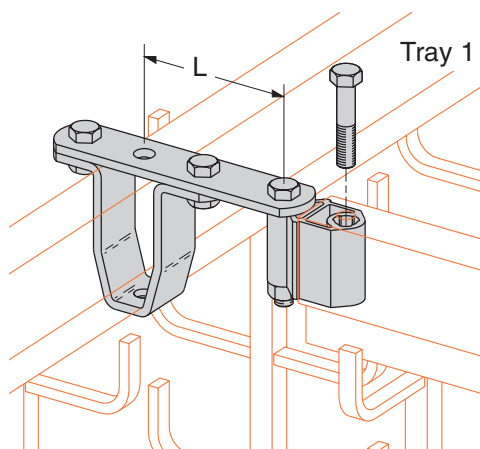


Patented (see page 117)

| Tray 1 Width | | Cat. No. | L | |
|--------------|-------|---------------------|-------|-------|
| in. | (mm) | | in. | (mm) |
| 6 | (150) | ● CAC-HTD06B | 5 | (125) |
| 9 | (225) | ● CAC-HTD09B | 6 1/2 | (165) |
| 12 | (300) | ● CAC-HTD12B | 8 | (200) |
| 18 | (450) | ● CAC-HTD18B | 10 | (250) |
| 24 | (600) | ● CAC-HTD24B | 13 | (330) |

- Used to make tee, elbow or wye
- Allows random attachment to center rail without drilling
- Pivoting connection
- Qwik-Bolt™ Design
- Shipped assembled with required hardware
- 9/16" (14mm) hole provided for optional support ATR
- 7/16" (11mm) adjustment slot
- UL classified for grounding - 1000 amps

Verti-Rack™ Horizontal Tee Coupling

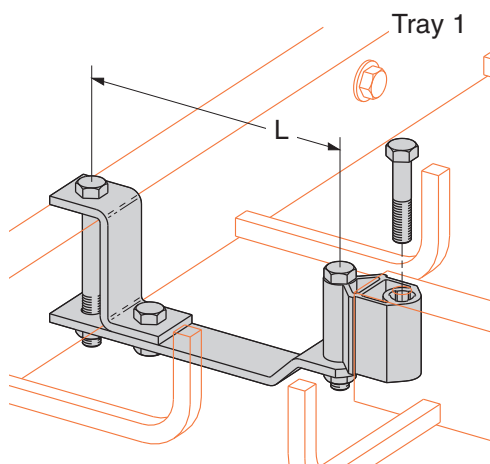


Patented (see page 117)

| Tray 1 Width | | Cat. No. | L | |
|--------------|-------|---------------------|-------|-------|
| in. | (mm) | | in. | (mm) |
| 3 | (75) | ● CAC-HTV03B | 3 | (75) |
| 6 | (150) | ● CAC-HTV06B | 4 1/2 | (115) |
| 9 | (225) | ● CAC-HTV09B | 6 | (150) |
| 12 | (300) | ● CAC-HTV12B | 7 1/2 | (190) |

- Used to make tee, elbow or wye
- Allows random attachment to center rail without drilling
- Pivoting connection
- Qwik-Bolt design
- Shipped assembled with required hardware
- 7/16" (11mm) adjustment slot
- UL classified for grounding - 1000 amps

Half-Rack™ Horizontal Tee Coupling



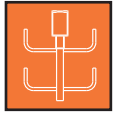
Patented (see page 117)

| Tray 1 Width | | Cat. No. | L | |
|--------------|-------|---------------------|-----|-------|
| in. | (mm) | | in. | (mm) |
| 3 | (75) | ● CAC-HTH03B | 5 | (125) |
| 6 | (150) | ● CAC-HTH06B | 8 | (200) |
| 9 | (225) | ● CAC-HTH09B | 11 | (275) |
| 12 | (300) | ● CAC-HTH12B | 14 | (355) |

- Used to make tee, elbow or wye
- Allows random attachment to center rail
- Pivoting connection
- Qwik-Bolt design
- Shipped assembled with required hardware
- UL classified for grounding - 1000 amps

Note: All connectors are aluminum material and sized for 1/2" zinc plated steel hardware, unless otherwise specified.

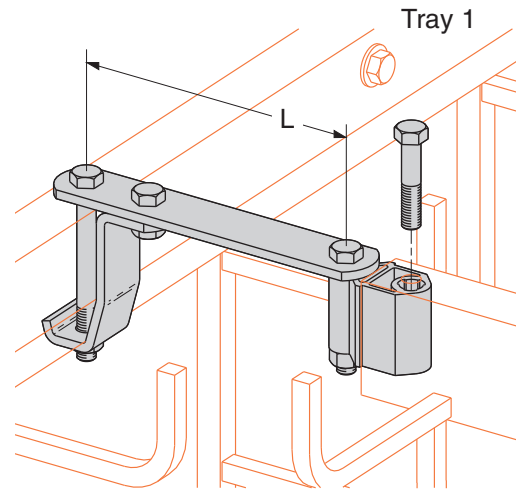
● Green = Fastest shipped items ● Black = Normal lead-time items ● Red = Normally long lead-time items



Multi-Tier Half-Rack™ Horizontal Tee Coupling

| Tray 1 Width | | Cat. No. | L | |
|--------------|-------|---------------------|-----|-------|
| in. | (mm) | | in. | (mm) |
| 3 | (75) | ● CAC-HTM03B | 5 | (125) |
| 6 | (150) | ● CAC-HTM06B | 8 | (200) |
| 9 | (225) | ● CAC-HTM09B | 11 | (275) |
| 12 | (300) | ● CAC-HTM12B | 14 | (355) |

- Used to make tee, elbow or wye
- Allows random attachment to center rail
- Pivoting connection
- Qwik-Bolt™ design
- Shipped assembled with required hardware
- UL classified for grounding - 1000 amps



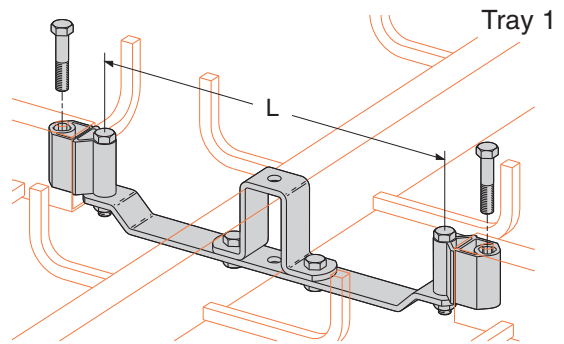
Patented (see page 117)



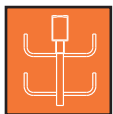
Data-Track™ Horizontal Cross Coupling

| Tray 1 Width | | Cat. No. | L | |
|--------------|-------|---------------------|-----|-------|
| in. | (mm) | | in. | (mm) |
| 6 | (150) | ● CAC-HXD06B | 10 | (250) |
| 9 | (225) | ● CAC-HXD09B | 13 | (330) |
| 12 | (300) | ● CAC-HXD12B | 16 | (400) |
| 18 | (450) | ● CAC-HXD18B | 20 | (500) |
| 24 | (600) | ● CAC-HXD24B | 26 | (650) |

- Allows random attachment to center rail without drilling
- Pivoting connections
- Qwik-Bolt design
- Shipped assembled with required hardware
- 9/16" (14mm) hole provided for optional support ATR
- UL classified for grounding - 1000 amps



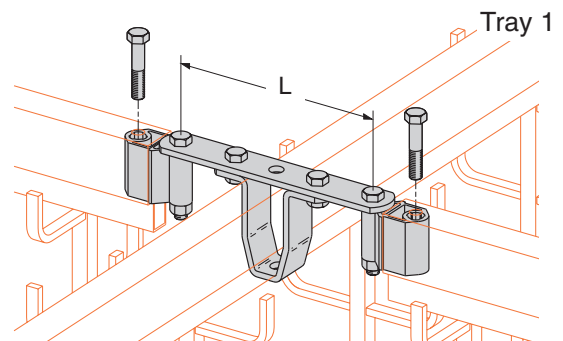
Patented (see page 117)



Verti-Rack™ Horizontal Cross Coupling

| Tray 1 Width | | Cat. No. | L | |
|--------------|-------|---------------------|-----|-------|
| in. | (mm) | | in. | (mm) |
| 3 | (75) | ● CAC-HXV03B | 3 | (75) |
| 6 | (150) | ● CAC-HXV06B | 9 | (225) |
| 9 | (225) | ● CAC-HXV09B | 12 | (300) |
| 12 | (300) | ● CAC-HXV12B | 15 | (375) |

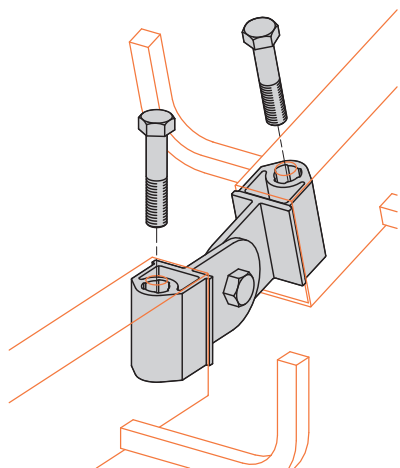
- Allows random attachment to center rail without drilling
- Pivoting connections
- Qwik-Bolt design
- Shipped assembled with required hardware
- 9/16" (14mm) hole provided for optional support ATR
- UL classified for grounding - 1000 amps



Patented (see page 117)

Note: All connectors are aluminum material and sized for 1/2" zinc plated steel hardware, unless otherwise specified.

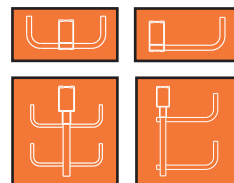
● Green = Fastest shipped items ● Black = Normal lead-time items ● Red = Normally long lead-time items



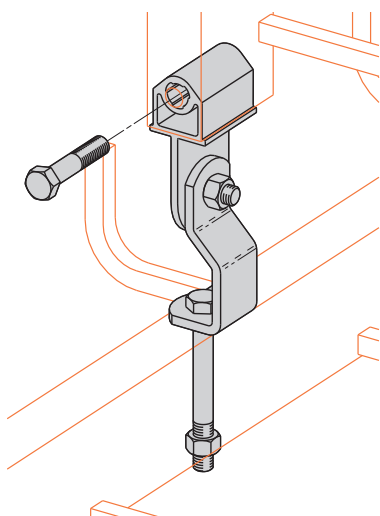
Vertical Adjustable Splice

| |
|----------|
| Cat. No. |
| ● CAS-VB |

Patented (see page 117)



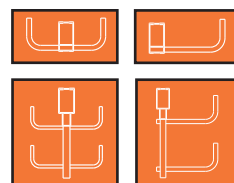
- Ideal for random angle vertical bends
- Qwik-Bolt™ design
- Shipped assembled with required hardware
- UL classified for grounding - 1000 amps



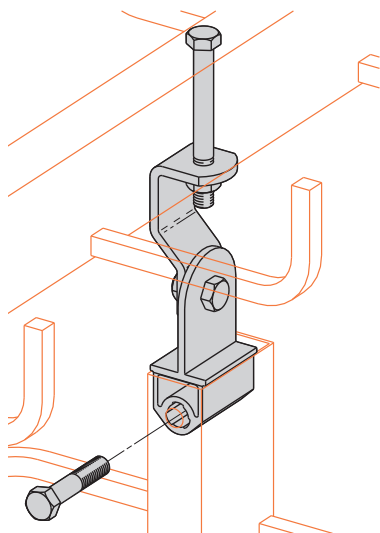
Vertical Coupling

| |
|----------|
| Cat. No. |
| ● CAC-VB |

Patented (see page 117)

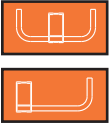


- Use one piece to create vertical tees.
- Use two pieces to create vertical crosses.
- Pivoting connections
- Qwik-Bolt design
- Shipped assembled with required hardware
- UL classified for grounding - 1000 amps



Note: All connectors are aluminum material and sized for 1/2" zinc plated steel hardware, unless otherwise specified.

● Green = Fastest shipped items ● Black = Normal lead-time items ● Red = Normally long lead-time items

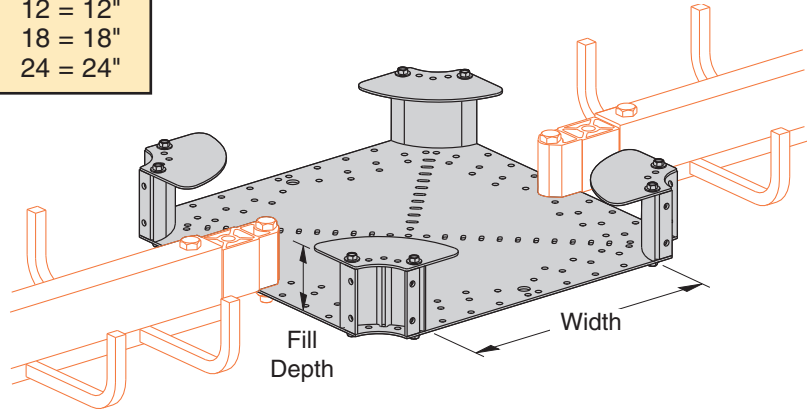


Universal Hub Fittings

| Cat. No. |
|----------|
| ● U2A-06 |
| ● U2A-09 |
| ● U2A-12 |
| ● U2A-18 |
| ● U2A-24 |
| ● U3A-06 |
| ● U3A-09 |
| ● U3A-12 |
| ● U3A-18 |
| ● U3A-24 |
| ● U4A-06 |
| ● U4A-09 |
| ● U4A-12 |
| ● U4A-18 |
| ● U4A-24 |
| ● U6A-06 |
| ● U6A-09 |
| ● U6A-12 |
| ● U6A-18 |
| ● U6A-24 |

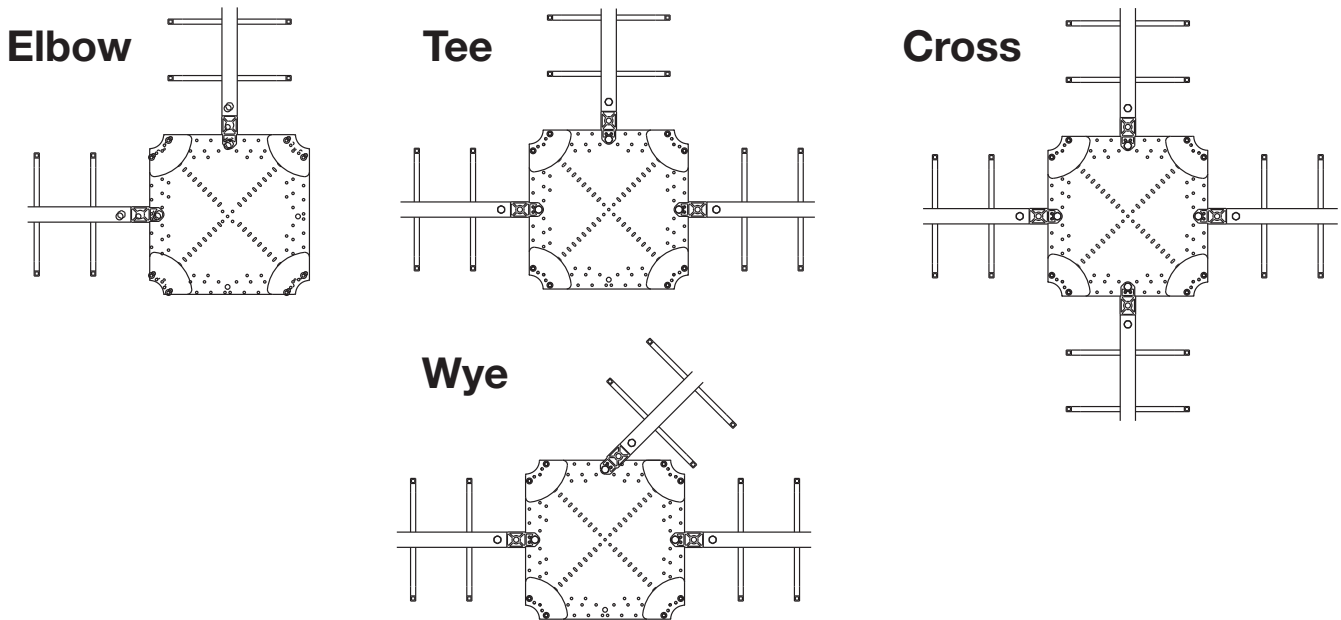
| Cat. No. | |
|---------------|----------|
| U4A-12 | |
| Fill Depth | Width |
| 2 = 2" | 06 = 6" |
| 3 = 3" | 09 = 9" |
| 4 = 4" | 12 = 12" |
| 6 = 6" | 18 = 18" |
| | 24 = 24" |

Patented (see page 117)



- Connects up to 4 trays in random directions
- Provides an area free of center rails for cable transitions
- Ideal for easy system expansion
- Slots provided for cable tie down
- Order one CAC-UFB pivot connector per tray connection (see page 139)
- Positive cable retention for cables routed around corner post
- UL classified for grounding - 1000 amps

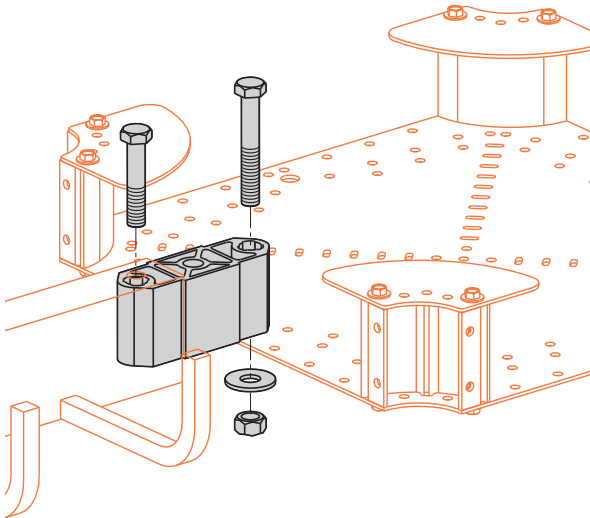
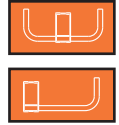
Typical applications for universal hub fittings:



Note: All connectors are aluminum material and sized for 1/2" zinc plated steel hardware, unless otherwise specified.

● Green = Fastest shipped items ● Black = Normal lead-time items ● Red = Normally long lead-time items

Pivot Connector For Universal Hub Horizontal Application

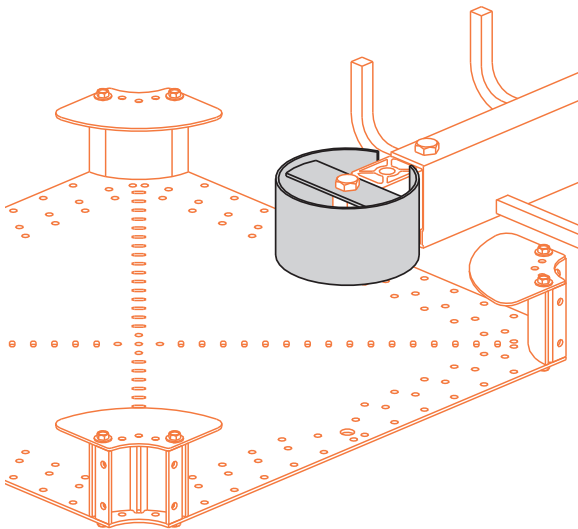


| |
|-----------|
| Cat. No. |
| ● CAC-UFB |

Patented (see page 117)

- Qwik-Bolt™ design
- Shipped with required hardware
- UL classified for grounding - 1000 amps

Category 5 Cable Radius Protector



| Cat. No. | Tray Depth |
|-------------|------------|
| ● CAM-PR253 | 3 |
| ● CAM-PR254 | 4 |
| ● CAM-PR256 | 6 |

- Designed to provide a 2¹/₂" cable bend radius
- Mounts directly over the horizontal pivot connector using the existing hardware
- Made from aluminum

Note: All connectors are aluminum material and sized for 1/2" zinc plated steel hardware, unless otherwise specified.

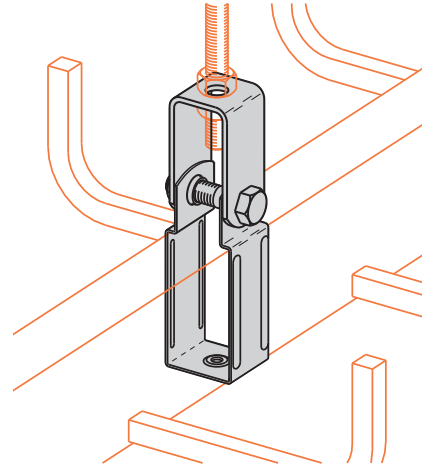
● Green = Fastest shipped items ● Black = Normal lead-time items ● Red = Normally long lead-time items



Data-Track™ Standard Clevis Hanger

| Cat. No. | Rod Size |
|----------------------|----------|
| ● CZNH-CD | 1/2" |
| ● CZNH-CD-5/8 | 5/8" |

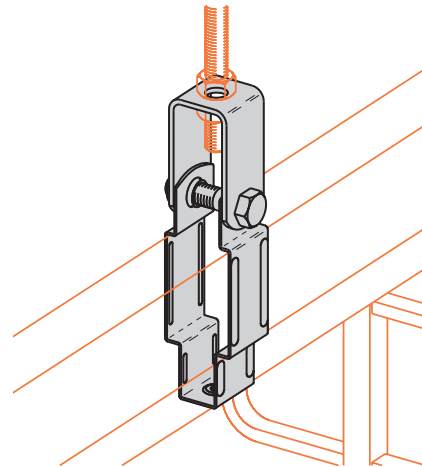
- Allows random support without drilling
- Zinc plated steel construction
- If seismic restraints required, see Seismic Restraints Cent-R-Rail Supplement brochure (SRSCR1)



Verti-Rack™ Standard Clevis Hanger

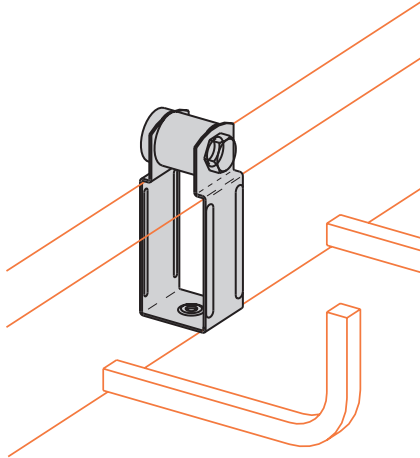
| Cat. No. | Rod Size |
|----------------------|----------|
| ● CZNH-CV | 1/2" |
| ● CZNH-CV-5/8 | 5/8" |

- Allows random support without drilling
- Zinc plated steel construction



Note: All connectors are aluminum material and sized for 1/2" zinc plated steel hardware, unless otherwise specified.

● Green = Fastest shipped items ● Black = Normal lead-time items ● Red = Normally long lead-time items

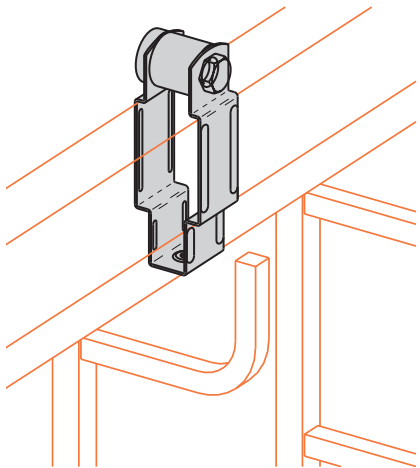


Wall Hanger Half Rack™

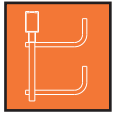


| |
|-----------|
| Cat. No. |
| ● CZNH-WH |

- Simplifies bolt to anchor alignment.
- Center rail drilling eliminated.
- Hanger bottom snaps over center rail.
- Smooth edge design in wire fill areas.
- Zinc plated steel construction
- Sized for up to a 1/2" bolt.

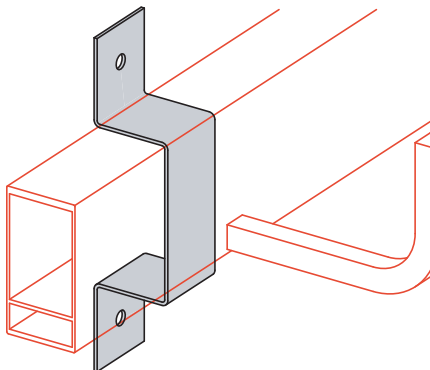


Wall Hanger Multi-Tier Half Rack™



| |
|-----------|
| Cat. No. |
| ● CZNH-WM |

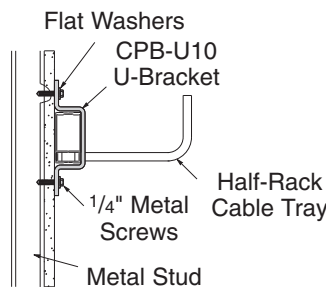
- Simplifies bolt to anchor alignment.
- Center rail drilling eliminated.
- Hanger bottom snaps over center rail.
- Smooth edge design in wire fill areas.
- Zinc plated steel construction
- Sized for up to a 1/2" bolt.



U-Bracket: In Drywall & Metal Stud Wall



| Cat. No. | Tray Type |
|-----------|----------------------|
| ● CPB-U10 | Half-Rack |
| ● CPB-CV1 | Multi-Tier Half-Rack |



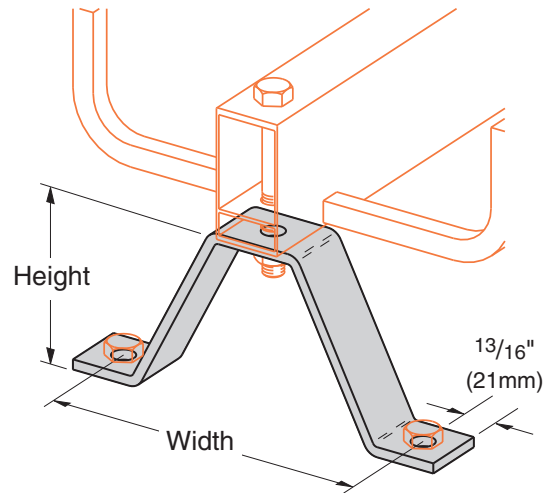
Note: All connectors are aluminum material and sized for 1/2" zinc plated steel hardware, unless otherwise specified.

● Green = Fastest shipped items ● Black = Normal lead-time items ● Red = Normally long lead-time items



Floor Stands

| Cat. No. | Height | | Width | |
|---------------|--------------------------------|---------|-------|---------|
| | in. | (mm) | in. | (mm) |
| ● B381 | 2 ³ / ₈ | (60.3) | 6 | (152.4) |
| ● B382 | 4 ³ / ₈ | (111.1) | 8 | (203.2) |
| ● B383 | 6 ³ / ₈ | (161.9) | 10 | (254.0) |
| ● B384 | 8 ³ / ₈ | (212.7) | 12 | (304.8) |
| ● B385 | 10 ³ / ₈ | (263.5) | 14 | (355.6) |



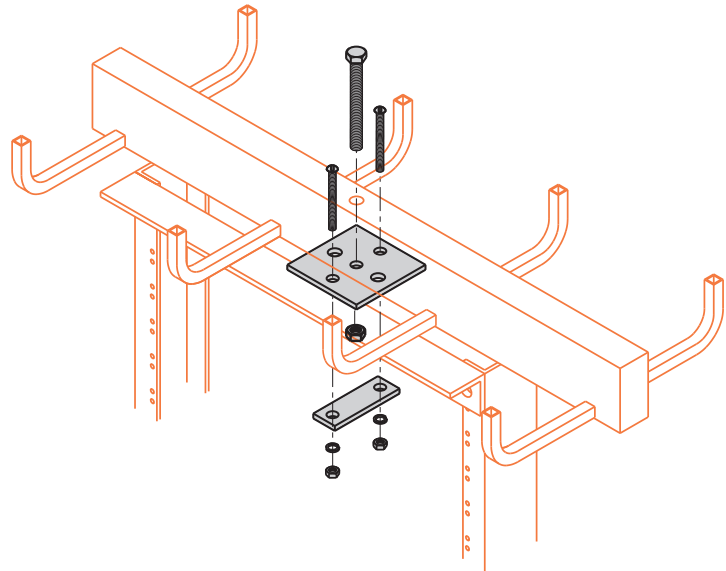
- Zinc plated steel construction
- 9/16" (14mm) holes



Relay Rack Mounting Bracket

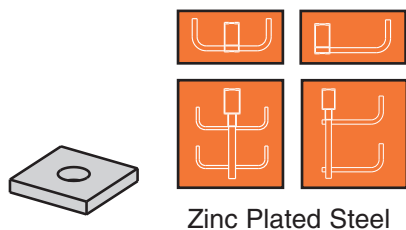
| Cat. No. |
|---------------------|
| ● SB-2133-CR |

- ASTM A36 Steel
- Yellow zinc dichromate
- Includes: Mounting plates
 - 1 - 1/2" x 4 1/2" HHCS
 - 1- 1/2" hex nut
 - 2 - 5/16" x 3" SRHMS
 - 2 - 5/16" hex nuts
 - 2 - 5/16" lockwashers



Note: All connectors are aluminum material and sized for 1/2" zinc plated steel hardware, unless otherwise specified.

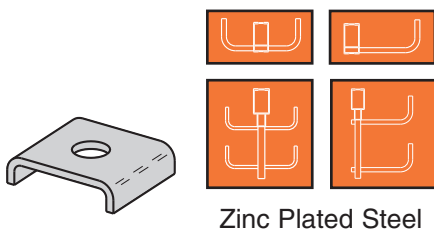
● Green = Fastest shipped items ● Black = Normal lead-time items ● Red = Normally long lead-time items



Zinc Plated Steel

Square Washer

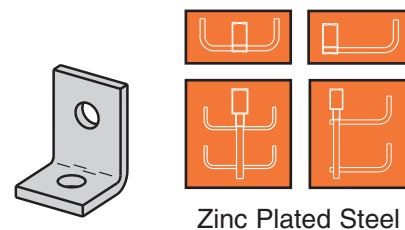
Cat. No.
● B202



Zinc Plated Steel

"U" Washer

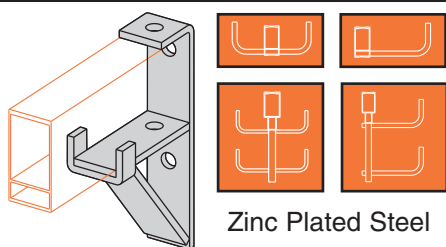
Cat. No.
● B450



Zinc Plated Steel

90° Angle Fitting

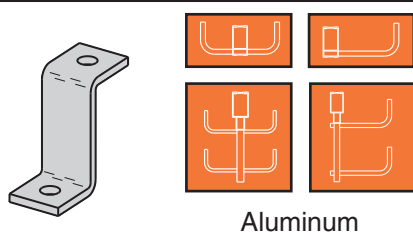
Cat. No.
● B101



Zinc Plated Steel

Wall Bracket

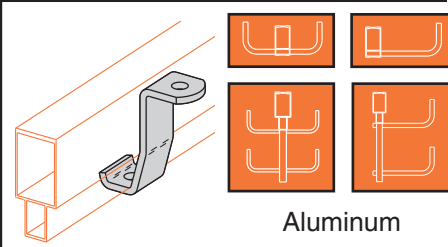
Cat. No.
● B370



Aluminum

"Z" Bracket

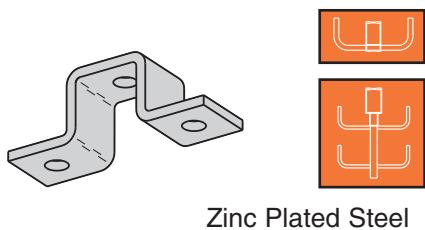
Cat. No.
● B110AL



Aluminum

"Z" Bracket

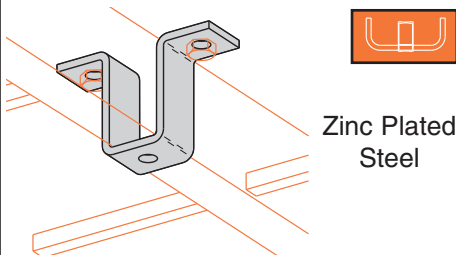
Cat. No.
● CAB-U25



Zinc Plated Steel

"U" Bracket

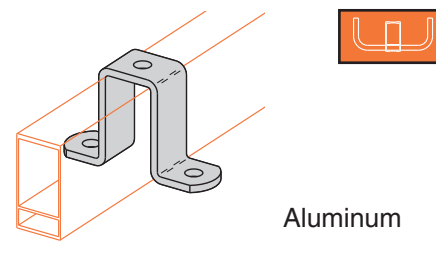
Cat. No.
● B107



Zinc Plated Steel

"U" Bracket

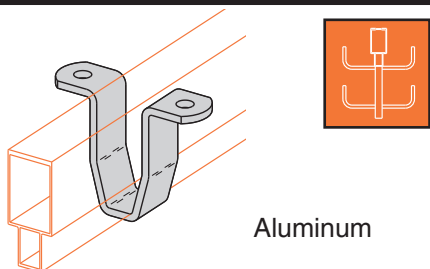
Cat. No.
● B107-22A



Aluminum

"U" Bracket

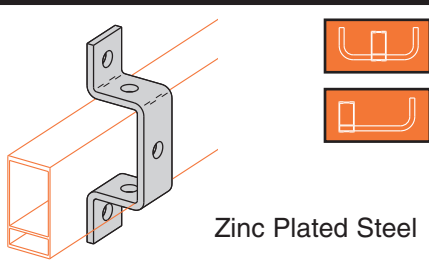
Cat. No.
● CAB-U10



Aluminum

"U" Bracket

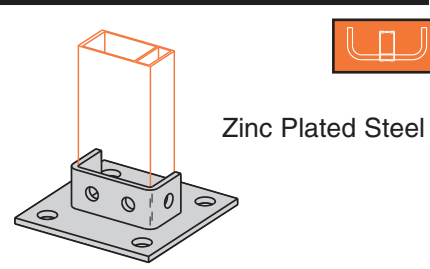
Cat. No.
● CAB-U20



Zinc Plated Steel

"U" Bracket

Cat. No.
● B594

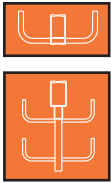


Zinc Plated Steel

Post Base

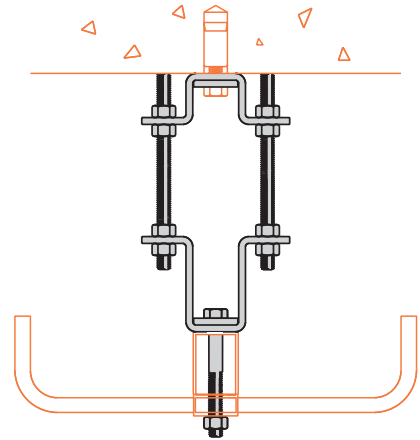
Cat. No.
● B281ASQ

● Green = Fastest shipped items ● Black = Normal lead-time items ● Red = Normally long lead-time items



Non-Uniform Loading Bracket

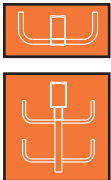
| Cat. No. | ATR Length |
|---------------------|------------|
| ● CZN-DRS-36 | 36 |
| ● CZN-DRS-60 | 60 |
| ● CZN-DRS-72 | 72 |



- Hardware included
- ATR included
- Zinc plated
- See Seismic Restraints Cent-R-Rail Supplement brochure (SRSCR1)
- Note: Refer to unbalance section in the appendix (pg. 171)

Includes:

- 1 - B107 Znplt U Support
- 1 - B107-22A Znplt U Support
- 9 - 1/2" Hex Nuts, Znplt
- 2 - ATR 1/2" x Length, Znplt
- 1 - HHC Screw 1/2" x 4 1/2", Znplt
- 2 - B202 Znplt sq washers

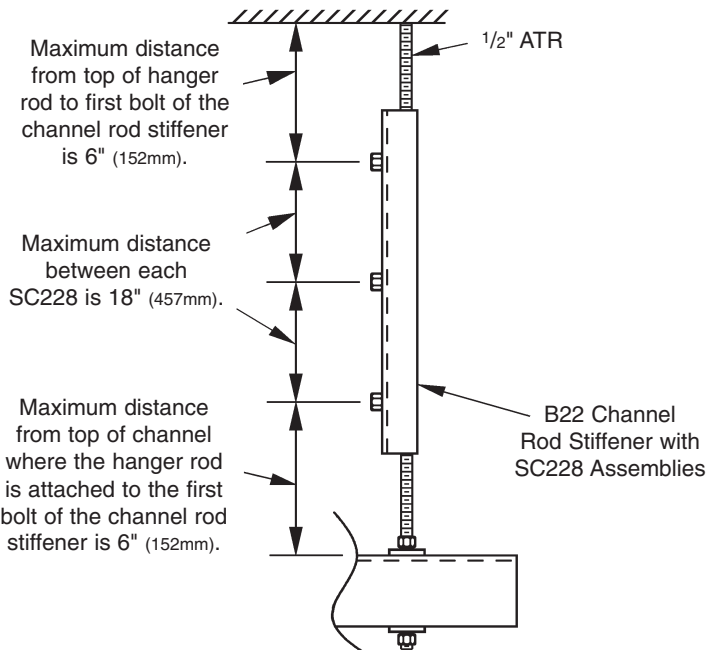
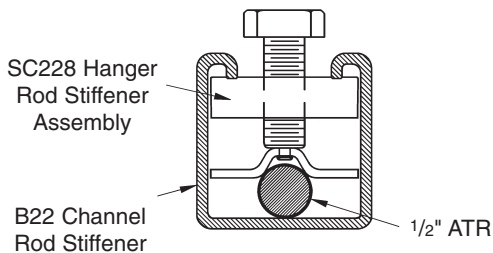


All Threaded Rod Stiffener

- See Seismic Restraints Cent-R-Rail Supplement brochure (SRSCR1)
- Note: Minimum of (2) - SC228 or SC-UB are required per rod.

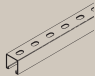

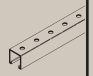
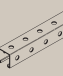
| Cat. No. |
|----------------|
| ● SC228 |

SC228 Hanger Rod Stiffener Assembly
For 3/8" thru 5/8" ATR
(Order B22 Channel Separately)

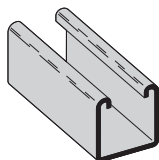


● Green = Fastest shipped items ● Black = Normal lead-time items ● Red = Normally long lead-time items

Channel Sizes and Hole Patterns Selections Chart

| Channel Type | Channel Dimensions | | | | Material & Thickness | | | | Channel Hole Patterns | | | |
|---------------|--------------------------------|--------|-------------------------------|--------|----------------------|-------|----------|----------|---|---|---|---|
| | | | | | 1 | 2 | 3 | 4 | SH | S | H17/8 | TH |
| | Height | | Width | | Steel | Alum. | 304 S.S. | 316 S.S. |  |  |  |  |
| | in. | (mm) | in. | (mm) | | | | | | | | |
| ● B11 | 3 ¹ / ₄ | (82.5) | 1 ⁵ / ₈ | (41.3) | 12Ga. | -- | -- | -- | 1 | 1 | 1 | -- |
| ● B22A | 3 ¹ / ₄ | (82.5) | 1 ⁵ / ₈ | (41.3) | 12Ga. | .105 | 12Ga. | 12Ga. | 1,2,3,4 | 1 | 1,2,3,4 | -- |
| ● B22 | 1 ⁵ / ₈ | (41.3) | 1 ⁵ / ₈ | (41.3) | 12Ga. | .105 | 12Ga. | 12Ga. | 1,2,3,4 | 1 | 1,2,3,4 | 1 |
| ● B54 | 1 ⁵ / ₁₆ | (20.6) | 1 ⁵ / ₈ | (41.3) | 14Ga. | .080 | 14Ga. | 14Ga. | 1,2,3,4 | 1 | 1,2,3,4 | -- |

Available Finishes on Steel: Dura-Green Epoxy, Pre-Galvanized and Hot Dip Galvanized are standard. Material types available for various hole patterns are defined by numbers 1 thru 4 as follows:



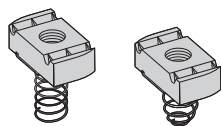
- 1= Steel
- 2= Aluminum
- 3= Type 304 Stainless Steel
- 4= Type 316 Stainless Steel

Channel Nuts

| With Spring | | | Without Spring | | Twirl Nut | | Thread Size | Thickness |
|---------------|-------------------|-------------------|-----------------------------|-------------------|-----------------------------|-------------------|-------------|---|
| B11 B12 | B22 B24 B32 | B42 B52 B54 | B11, B22 B12, B24 B32 | B42 B52 B54 | B11, B22 B12, B24 B32 | B42 B52 B54 | | |
| ● N725 | ● N225 | ● N525 | ● N225WO | ● N525WO | ● TN225 | ● TN525 | 1/2"-13 | 1/2" (12.7 mm) for N725, N225, N225WO, TN225 3/8" (9.5 mm) for N525, N525WO, TN525 |
| ● N755 | ● N255 | ● N555 | ● N255WO | ● N555WO | -- | -- | 5/8"-11 | 1/2" (12.7 mm) for N755, N255, N255WO 3/8" (9.5 mm) for N555, N555WO |



Channel Nut With Spring



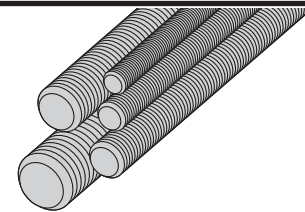
Channel Nut Without Spring



Twirl Nut

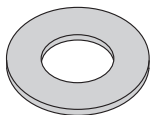
| Cat. No. & Size | Threads Per Inch | *Recommended Load | |
|-------------------|------------------|-------------------|--------|
| | | lbs | (kN) |
| ● ATR 1/2" | 13 | 1130 | (5.02) |
| ● ATR 5/8" | 11 | 1810 | (8.05) |

All Threaded Rod (ATR)



*Safety Factor = 5

• Specify length in inches: 36", 72", 120", 144"



Flat Washers

| Cat. No. & Size |
|------------------|
| ● FW 1/2" |
| ● FW 5/8" |



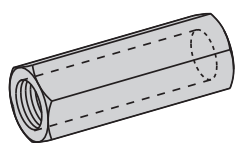
Hex Nut

| Cat. No. & Size |
|------------------|
| ● HN 1/2" |
| ● HN 5/8" |

● Green = Fastest shipped items ● Black = Normal lead-time items ● Red = Normally long lead-time items

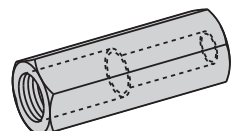
Cent-R-Rail™ - Support Accessories

Cent-R-Rail



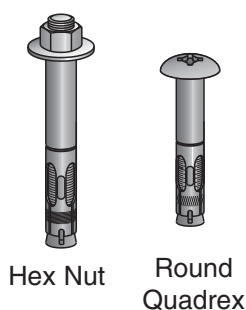
Rod Coupling

| Cat. No. | Size | Length | | Recommended Load | |
|------------|---------|--------|--------|------------------|--------|
| | | in. | (mm) | lbs | (kN) |
| ● B655-1/2 | 1/2"-13 | 1 3/4 | (44.4) | 1130 | (5.02) |
| ● B655-5/8 | 5/8"-11 | 2 1/8 | (54.0) | 1810 | (8.05) |



Reducer Rod Coupling

| Cat. No. | Size | Length | | Recommended Load | |
|------------------|-------------------|--------|--------|------------------|--------|
| | | in. | (mm) | lbs | (kN) |
| ● B656-1/2 x 3/8 | 1/2"-13 & 3/8"-16 | 1 1/4 | (31.7) | 610 | (2.71) |
| ● B656-5/8 x 1/2 | 5/8"-11 & 1/2"-13 | 1 1/4 | (31.7) | 1130 | (5.02) |
| ● B656-3/4 x 5/8 | 3/4"-10 & 5/8"-11 | 1 1/2 | (38.1) | 1810 | (8.05) |



Hex Nut Round Quadrex

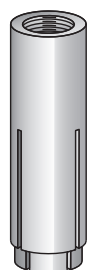
| Type | Catalog Number | Size | | Bolt Diameter | | Hole Diameter | |
|---------------|----------------|-------------|------------|---------------|------|---------------|------|
| | | in. | (mm) | in. | (mm) | in. | (mm) |
| Hex Nut | ● ASA-50-225HN | 1/2 x 2 1/4 | (13 x 57) | 3/8 | (10) | 1/2 | (13) |
| | ● ASA-50-400HN | 1/2 x 4 | (13 x 102) | 3/8 | (10) | 1/2 | (13) |
| | ● ASA-62-225HN | 5/8 x 2 1/4 | (16 x 57) | 1/2 | (13) | 5/8 | (16) |
| | ● ASA-62-425HN | 5/8 x 4 1/4 | (16 x 108) | 1/2 | (13) | 5/8 | (16) |
| Round Quadrex | ● ASA-37-250RQ | 3/8 x 2 1/2 | (10 x 64) | 5/16 | (8) | 3/8 | (10) |
| | ● ASA-37-375RQ | 3/8 x 3 3/4 | (10 x 95) | 5/16 | (8) | 3/8 | (10) |
| | ● ASA-37-475RQ | 3/8 x 4 3/4 | (10 x 121) | 5/16 | (8) | 3/8 | (10) |

Sleeve Anchors



| Catalog Number | Minimum Embedment | | Allowable Pull-Out Load* | | Allowable Shear Load* | |
|----------------|-------------------|------|--------------------------|-------|-----------------------|-------|
| | in. | (mm) | lbs | (kN) | lbs | (kN) |
| ● ASA-50-225HN | 1 1/2 | (38) | 1100 | (4.8) | 1100 | (4.8) |
| ● ASA-50-400HN | 1 1/2 | (38) | 1100 | (4.8) | 1100 | (4.8) |
| ● ASA-62-225HN | 2 | (51) | 1545 | (6.8) | 1790 | (7.8) |
| ● ASA-62-425HN | 2 | (51) | 1545 | (6.8) | 1790 | (7.8) |
| ● ASA-37-250RQ | 1 1/4 | (32) | 675 | (2.9) | 570 | (2.5) |
| ● ASA-37-375RQ | 1 1/4 | (32) | 675 | (2.9) | 570 | (2.5) |
| ● ASA-37-475RQ | 1 1/4 | (32) | 675 | (2.9) | 570 | (2.5) |

*Tested in 3500 PSI (24 MPa) concrete. S.F. = 4.0



Drop-In Anchors

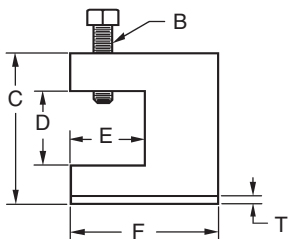
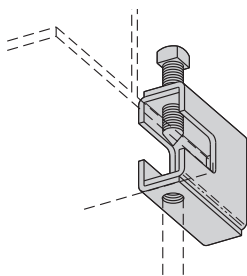
| Catalog Number | Anchor Size | | | | Thread Hole | | | |
|----------------|-------------|------|--------|------|-------------|------|----------|------|
| | Diameter | | Length | | Depth | | Diameter | |
| | in. | (mm) | in. | (mm) | in. | (mm) | in. | (mm) |
| ● ADI-50 | 1/2 | (13) | 2 | (51) | 12/16 | (21) | 5/8 | (16) |
| ● ADI-62 | 5/8 | (16) | 2 1/2 | (64) | 1 3/16 | (30) | 7/8 | (22) |

| Catalog Number | Anchor Length | | Allowable Pull-out Load* | | Allowable Shear Load* | | Setting Tool Catalog Number |
|----------------|---------------|------|--------------------------|--------|-----------------------|--------|-----------------------------|
| | in. | (mm) | lbs | (kN) | lbs | (kN) | |
| ● ADI-50 | 2 | (51) | 1883 | (8.2) | 1903 | (8.3) | ADI-50T |
| ● ADI-62 | 2 1/2 | (64) | 2473 | (10.8) | 3403 | (14.9) | ADI-62T |

*Tested in 4860 PSI (33.5 MPa) concrete. S.F. = 4.0

● Green = Fastest shipped items ● Black = Normal lead-time items ● Red = Normally long lead-time items

Beam Clamps



| Cat. No. | Rod Size | B | C | | D | |
|----------|----------|---------|--------|--------|----------|--------|
| | | | in. | (mm) | in. | (mm) |
| ● B307 | 1/2"-13 | 1/2"-13 | 27/16" | (61.9) | 7/8" | (22.2) |
| ● B308 | 1/2"-13 | 1/2"-13 | 29/16" | (65.1) | 7/8" | (22.2) |
| ● B321-2 | 1/2"-13 | 1/2"-13 | 39/16" | (90.5) | 1 11/16" | (42.8) |

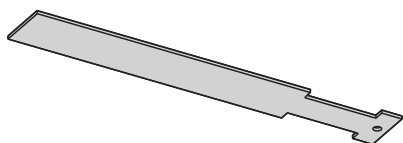
| Cat. No. | E | | F | | T | | Design Load | |
|----------|--------|--------|--------|--------|------|-------|-------------|--------|
| | in. | (mm) | in. | (mm) | in. | (mm) | lbs. | (kN) |
| ● B307 | 1 1/8" | (28.6) | 2 1/2" | (63.5) | 7Ga. | (4.5) | 1100 | (4.89) |
| ● B308 | 1 1/8" | (28.6) | 2 1/2" | (63.5) | 1/4" | (6.3) | 1500 | (7.11) |
| ● B321-2 | 1 5/8" | (41.3) | 3 1/4" | (82.5) | 1/4" | (6.3) | 1400 | (6.23) |

- Design Load Safety Factor = 5
- Setscrew included

Anchor Strap

| Cat. No. | Flange Width | |
|-----------|--------------|---------------|
| | in. | (mm) |
| ● B312-6 | Up to 6" | (Up to 152.4) |
| ● B312-9 | 6"-9" | (152.4-228.6) |
| ● B312-12 | 9"-12" | (228.6-304.8) |

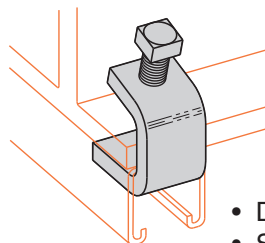
Used with B307, B308 and B321-2 beam clamps



Beam Clamp

| Part Number | Design Load* | | Max. Flange Thick | | Mat'l Thickness | |
|-------------|--------------|--------|-------------------|--------|-----------------|-------|
| | lbs | (kN) | in. | (mm) | in. | (mm) |
| ● B212-3/8 | 1000 | (4.45) | 1 1/8" | (28.6) | 3/8" | (9.5) |

*when used in pairs



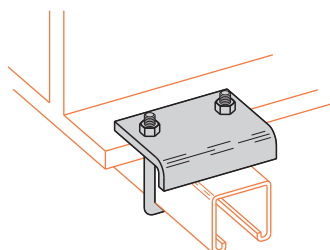
- Design Load Safety Factor = 5
- Sold in pieces
- Setscrew included

Beam Clamp

| Cat. No. | Design Load* | | 'A' Dimension | |
|------------|--------------|---------|---------------|---------|
| | lbs | (kN) | in. | (mm) |
| ● B441-22 | 1200 | (15.34) | 3 3/8" | (85.7) |
| ● B441-22A | 1200 | (15.34) | 5" | (127.0) |
| ● B441Z-22 | N/A | (N/A) | 3 3/8" | (85.7) |

*when used in pairs

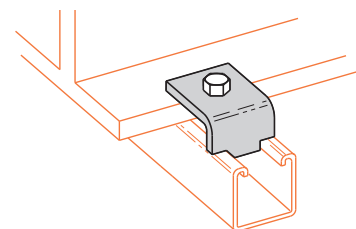
- Design Load Safety Factor = 5
- Sold in pieces



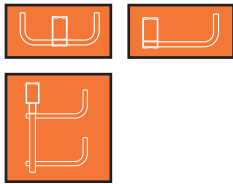
Beam Clamps

| Cat. No. |
|----------|
| ● B355 |

- Design Load 1200 lbs (5.34kN) when used in pairs
- Design Load Safety Factor = 5
- Sold in pieces
- Order HHCS & channel nuts separately

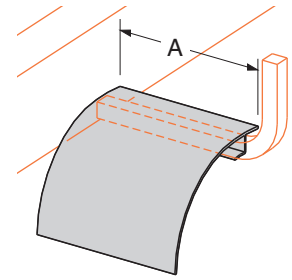


● Green = Fastest shipped items ● Black = Normal lead-time items ● Red = Normally long lead-time items



Cable Drop-Out

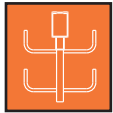
| Cat. No. | A in. |
|-------------|-------|
| ● CAM-DO-1 | 1 |
| ● CAM-DO-2 | 2 |
| ● CAM-DO-3 | 3 |
| ● CAM-DO-4 | 4 |
| ● CAM-DO-5 | 5 |
| ● CAM-DO-7 | 7 |
| ● CAM-DO-8 | 8 |
| ● CAM-DO-10 | 10 |
| ● CAM-DO-11 | 11 |



- Provides 3.25" (82mm) bend radius
- Attaches to horizontal section of rung
- Self-drilling screw included
- Part number for one side only

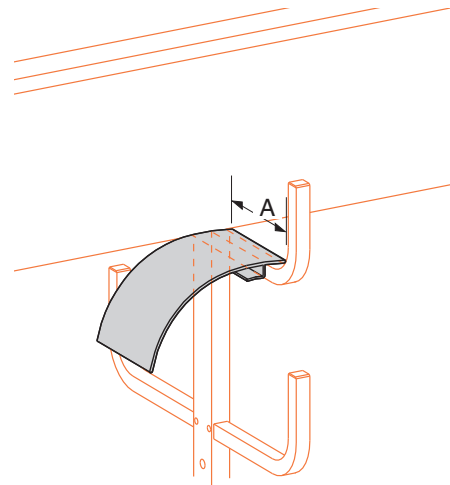
| Tray Width in. | Recommended Drop-out Width A* | | | |
|----------------|-------------------------------|----------------------|------------|-----------------------|
| | DATA-TRACK® Bottom Rung | DATA-TRACK® Top Rung | Half-Rack® | Multi-Tier Half-Rack® |
| 3 | N/A | N/A | 2 | 2 |
| 6 | 2 | 1 | 5 | 5 |
| 9 | 3 | 2 | 8 | 8 |
| 12 | 5 | 4 | 11 | 11 |
| 18 | 7 | 7 | N/A | N/A |
| 24 | 10 | 10 | N/A | N/A |

* Indicates widest Drop-out that will fit in tray

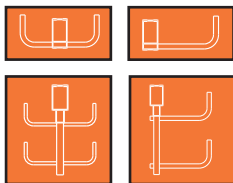


Verti-Rack™ Drop-Out

| Cat. No. | A in. |
|----------------------------|-------|
| ● CAM-VDO-1 | 1.5 |
| ● CAM-VDO-2 ^{1/2} | 3 |
| ● CAM-VDO-4 | 4.5 |
| ● CAM-VDO-5 ^{1/2} | 6 |

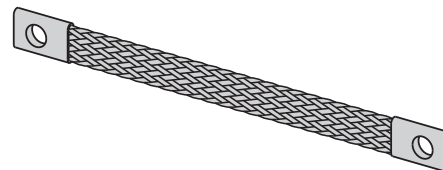


- Provides 3.25" (82mm) bend radius
- Attaches to horizontal section of rung
- Self-drilling screw included
- Part number for one side only



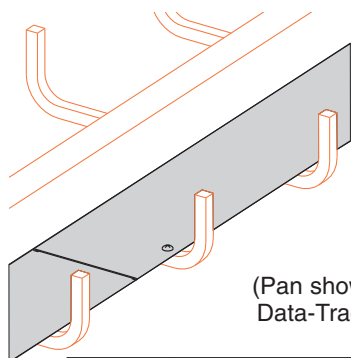
Grounding Jumper

| Cat. No. |
|----------|
| ● CAM-GJ |



- Tin plated copper
- 1000 Amps maximum fuse amperage rating
- 12" (305mm) overall length
- Provides electrical continuity between trays
- Required with expansion splice hangers and when trays are discontinuous
- For up to 1/2" hardware - not provided

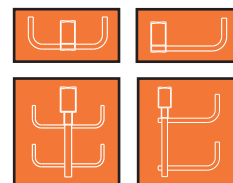
● Green = Fastest shipped items ● Black = Normal lead-time items ● Red = Normally long lead-time items



(Pan shown in Data-Track™)

Pan

- Solid floor system with the flexibility of a center rail system
- Side remains open for cable exit/entry
- Available in aluminum or pre-galvanized steel
- Hemmed edges to provide smooth cable fill area
- Shipped with self-drilling screws for easy field installation



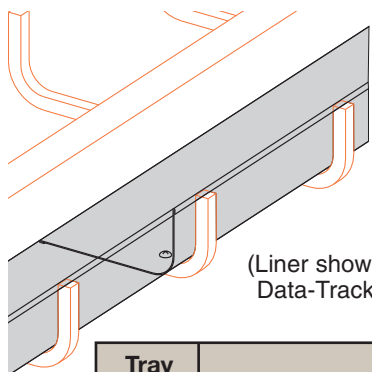
| Tray Width in. | Pan Catalog Number | | | | |
|----------------|---|--------------------------------------|--|---------------|---------------------------------------|
| | Data-Track™ Bottom Rung (one side only) | Data-Track™ Top Rung (one side only) | Verti-Rack™ (one side - one tier only) | Half-Rack™ | Multi-Tier Half-Rack™ (one tier only) |
| 3 | N/A | N/A | C(*)P-008-(†) | C(*)P-020-(†) | C(*)P-020-(†) |
| 6 | C(*)P-020-(†) | C(*)P-012-(†) | C(*)P-023-(†) | C(*)P-050-(†) | C(*)P-050-(†) |
| 9 | C(*)P-035-(†) | C(*)P-027-(†) | C(*)P-038-(†) | C(*)P-080-(†) | C(*)P-080-(†) |
| 12 | C(*)P-050-(†) | C(*)P-042-(†) | C(*)P-053-(†) | C(*)P-110-(†) | C(*)P-110-(†) |
| 18 | C(*)P-072-(†) | C(*)P-072-(†) | N/A | N/A | N/A |
| 24 | C(*)P-102-(†) | C(*)P-102-(†) | N/A | N/A | N/A |

(*) Material- Insert "A" for .040 aluminum or "P" for 20 Ga. pre-galvanized steel.

(†) Length- Insert 060 for 60", 072 for 72", 120 for 120", or 144 for 144".

Ordering information - Example: CAP-035-144

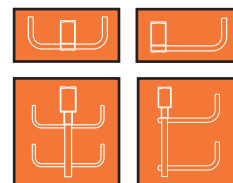
Aluminum pan for 9" wide bottom rung Data-Track in a 12 foot section.



(Liner shown in Data-Track™)

Liner

- Used to enclose a center rail system when desired
- Available in aluminum or pre-galvanized steel
- Hemmed edges to provide smooth cable fill area
- Shipped with self-drilling screws for easy field installations



| Tray Width in. | Liner Catalog Number | | | | |
|----------------|---|--------------------------------------|--|--------------------|---------------------------------------|
| | Data-Track™ Bottom Rung (one side only) | Data-Track™ Top Rung (one side only) | Verti-Rack™ (one side - one tier only) | Half-Rack™ | Multi-Tier Half-Rack™ (one tier only) |
| 3 | N/A | N/A | C(*)L-V2-014-(†) | C(*)L-D(x)-028-(†) | C(*)L-D(x)-028-(†) |
| 6 | C(*)L-D(x)-028-(†) | C(*)L-D(x)-021-(†) | C(*)L-V2-029-(†) | C(*)L-D(x)-059-(†) | C(*)L-D(x)-059-(†) |
| 9 | C(*)L-D(x)-044-(†) | C(*)L-D(x)-036-(†) | C(*)L-V2-044-(†) | C(*)L-D(x)-089-(†) | C(*)L-D(x)-089-(†) |
| 12 | C(*)L-D(x)-059-(†) | C(*)L-D(x)-051-(†) | C(*)L-V2-059-(†) | C(*)L-D(x)-119-(†) | C(*)L-D(x)-119-(†) |
| 18 | C(*)L-D(x)-081-(†) | C(*)L-D(x)-081-(†) | N/A | N/A | N/A |
| 24 | C(*)L-D(x)-111-(†) | C(*)L-D(x)-111-(†) | N/A | N/A | N/A |

(*) Material- Insert "A" for .040 aluminum or "P" for 20 Ga. pre-galvanized steel.

(†) Length- Insert 060 for 60", 072 for 72", 120 for 120", or 144 for 144".

(x) Loading Depth- Insert 3, 4 or 6 for applicable depth.

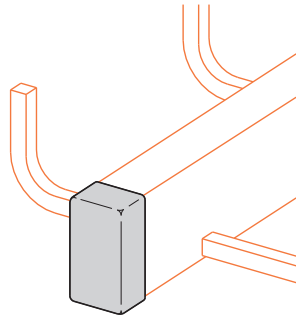
Ordering information Example: CAL-D4-059-120

Aluminum liner for 12" wide bottom rung Data-Track with 4" loading in a ten foot section.

● Green = Fastest shipped items ● Black = Normal lead-time items ● Red = Normally long lead-time items

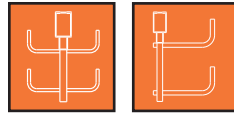


Plastic Center Rail End Cap

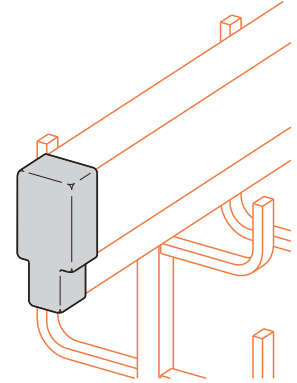


Cat. No.
● **CPLM-EC10-Gray**

- Fits over end of center rail
- Gray PVC material
- Field installation

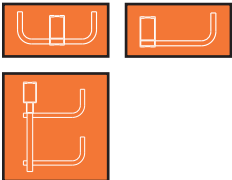


Plastic Center Rail End Cap

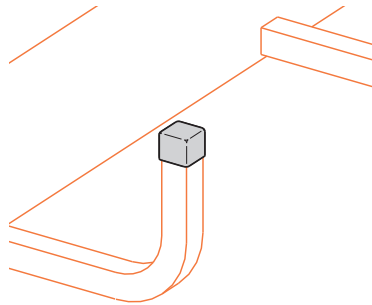


Cat. No.
● **CPLM-EC20-Gray**

- Fits over end of center rail
- Gray PVC material
- Field installation



Plastic Rung End Cap



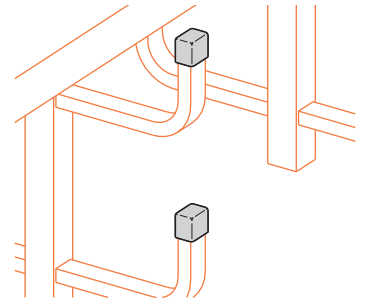
Cat. No.
● **CPLM-EC30-***

* Insert color:
Gray is standard
Optional- red, white, purple,
blue, yellow, orange, black

- Fits over end of rungs
- Used for cable identification
- PVC material
- Field installation



Plastic Rung End Cap

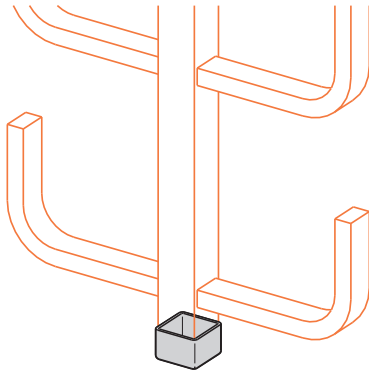


Cat. No.
● **CPLM-EC40-***

* Insert color:
Gray is standard
Optional- red, white, purple,
blue, yellow, orange, black

- Fits over end of rungs
- Used for cable identification
- PVC material
- Field installation

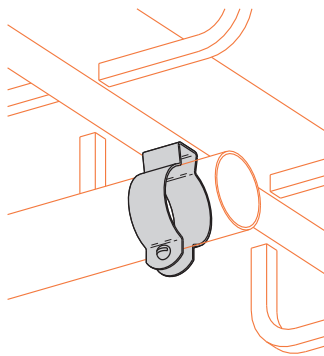
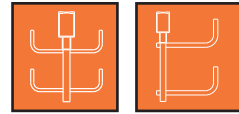
● Green = Fastest shipped items ● Black = Normal lead-time items ● Red = Normally long lead-time items



Plastic Trunk End Cap

| Cat. No. |
|-------------------------|
| ● CPLM-EC50-Gray |

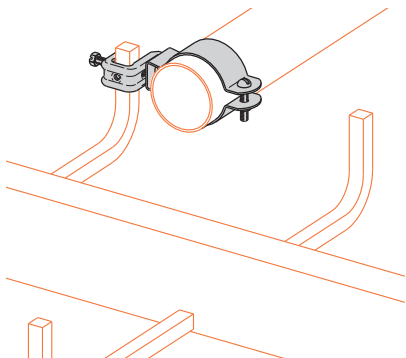
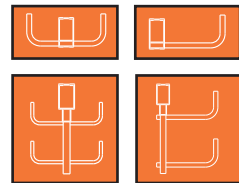
- Fits over end of vertical trunk
- Gray PVC Material
- Field installation



Conduit Adapter

| Cat. No. | Conduit Size | | Mounting Hardware Size | |
|-----------------|--------------|-------|------------------------|------|
| | in. | (mm) | in. | (mm) |
| ● BL1400 | 1/2 | (15) | 1/4 | (6) |
| ● BL1410 | 3/4 | (20) | 1/4 | (6) |
| ● BL1420 | 1 | (25) | 1/4 | (6) |
| ● BL1430 | 1 1/4 | (32) | 1/4 | (6) |
| ● BL1440 | 1 1/2 | (40) | 5/16 | (8) |
| ● BL1450 | 2 | (50) | 5/16 | (8) |
| ● BL1460 | 2 1/2 | (65) | 5/16 | (8) |
| ● BL1470 | 3 | (80) | 5/16 | (8) |
| ● BL1480 | 3 1/2 | (90) | 5/16 | (8) |
| ● BL1490 | 4 | (100) | 5/16 | (8) |

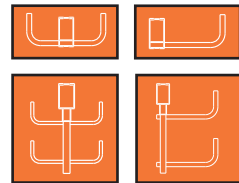
- Designed to support or suspend light-duty stationary conduit runs
- Zinc plated steel
- Attaches to tray center rail (mounting hardware not included)



Conduit Adapter

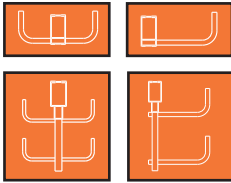
| Cat. No. | Conduit Size | |
|----------------------|--------------|------|
| | in. | (mm) |
| ● BL1400-C442 | 1/2 | (15) |
| ● BL1410-C442 | 3/4 | (20) |
| ● BL1420-C442 | 1 | (25) |
| ● BL1430-C442 | 1 1/4 | (32) |
| ● BL1440-C442 | 1 1/2 | (40) |
| ● BL1450-C442 | 2 | (50) |

- Connects conduit to Cent-R-Rail®
- Easy one rung installation
- Positions conduit between rungs
- Shipped assembled with hardware



● Green = Fastest shipped items ● Black = Normal lead-time items ● Red = Normally long lead-time items

Cent-R-Rail™ - Accessories



Conduit Adapter

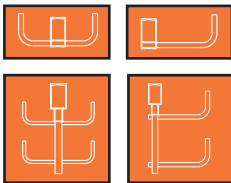
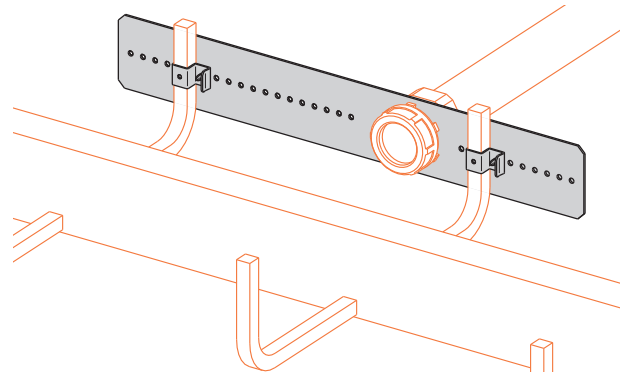
| 6" (152mm) thru 12" (305mm) rung spacing | | |
|--|----------------------|-------|
| Cat. No. | Conduit Size Punched | |
| | in. | (mm) |
| ● CAM-CA1S-1/2 | 1/2 | (15) |
| ● CAM-CA1S-3/4 | 3/4 | (20) |
| ● CAM-CA1S-1 | 1 | (25) |
| ● CAM-CA1S-1 1/4 | 1 1/4 | (32) |
| ● CAM-CA2S-1 1/2 | 1 1/2 | (40) |
| ● CAM-CA2S-2 | 2 | (50) |
| ● CAM-CA2S-2 1/2 | 2 1/2 | (65) |
| ● CAM-CA3S-3 | 3 | (80) |
| ● CAM-CA3S-3 1/2 | 3 1/2 | (90) |
| ● CAM-CA3S-4 | 4 | (100) |

| 18" (457mm) thru 24" (609mm) rung spacing | | |
|---|----------------------|-------|
| Cat. No. | Conduit Size Punched | |
| | in. | (mm) |
| ● CAM-CA1L-1/2 | 1/2 | (15) |
| ● CAM-CA1L-3/4 | 3/4 | (20) |
| ● CAM-CA1L-1 | 1 | (25) |
| ● CAM-CA1L-1 1/4 | 1 1/4 | (32) |
| ● CAM-CA2L-1 1/2 | 1 1/2 | (40) |
| ● CAM-CA2L-2 | 2 | (50) |
| ● CAM-CA2L-2 1/2 | 2 1/2 | (65) |
| ● CAM-CA3L-3 | 3 | (80) |
| ● CAM-CA3L-3 1/2 | 3 1/2 | (90) |
| ● CAM-CA3L-4 | 4 | (100) |

| 6" (152mm) thru 12" (305mm) rung spacing | | |
|--|------------------------|-----------------|
| Cat. No. | Conduit Size Unpunched | |
| | in. | (mm) |
| ● CAM-CA1S | 1/2 thru 1 1/4 | (15) thru (32) |
| ● CAM-CA2S | 1 1/2 thru 2 1/2 | (40) thru (65) |
| ● CAM-CA3S | 3 thru 4 | (80) thru (100) |

| 18" (457mm) thru 24" (609mm) rung spacing | | |
|---|------------------------|-----------------|
| Cat. No. | Conduit Size Unpunched | |
| | in. | (mm) |
| ● CAM-CA1L | 1/2 thru 1 1/4 | (15) thru (32) |
| ● CAM-CA2L | 1 1/2 thru 2 1/2 | (40) thru (65) |
| ● CAM-CA3L | 3 thru 4 | (80) thru (100) |

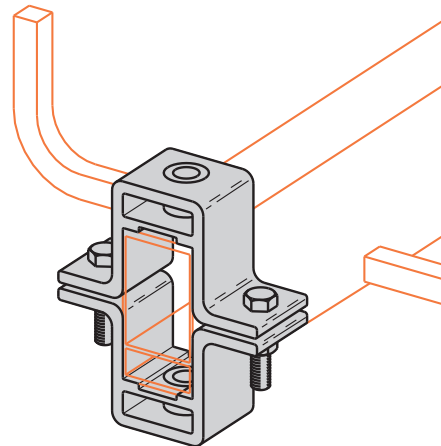
- Connects conduit to Cent-R-Rail™
- Supported by two rungs for stability
- Allows variable positioning between rungs
- Items included:
 - mounting body
 - 2 rung attachment clips with #10 self-drilling screws



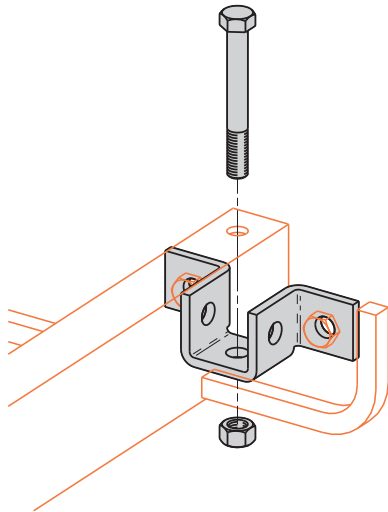
Drill Fixture

| Cat. No. |
|----------|
| ● CAM-DF |

- Locates splice holes to be drilled in field cut trays
- Used to mark cut lines square
- Requires 9/16" diameter drill bit (not included)



● Green = Fastest shipped items ● Black = Normal lead-time items ● Red = Normally long lead-time items



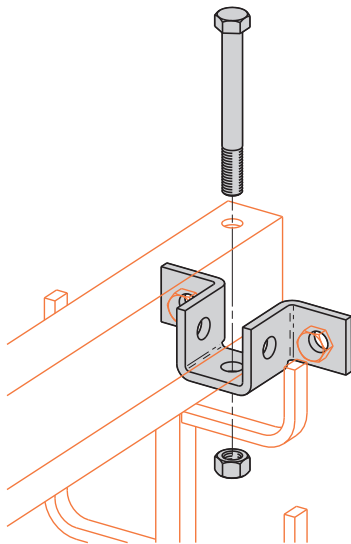
Data-Track™ Tray-to-Wall Connector



Cat. No.

● CZNT-WB1

- Easy to install
- Strong - 1/4" (6mm) steel
- Zinc plated - ASTM B633
- Designed for up to 1/2" diameter wall attachment hardware (not included)
- Cent-R-Rail™ nut and bolt connector provided



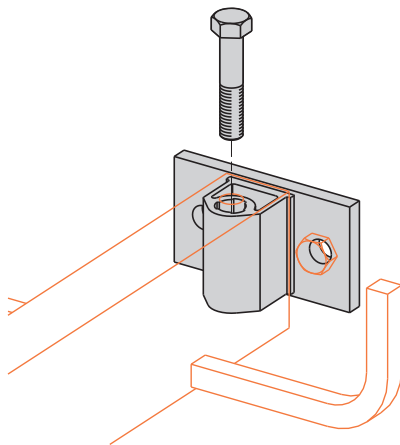
Verti-rack™ Tray-to-Wall Connector



Cat. No.

● CZNT-WB2

- Easy to install
- Strong - 1/4" (6mm) steel
- Zinc plated - ASTM B633
- Designed for up to 1/2" diameter wall attachment hardware (not included)
- Cent-R-Rail nut and bolt connector provided



Tray-to-Wall Connector



Cat. No.

● CAT-WB

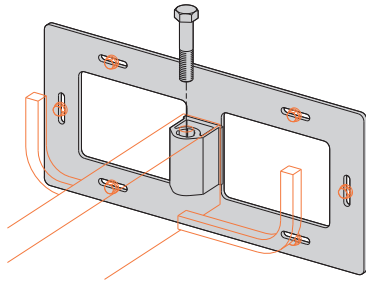
Patented (see page 117)

- Connects tray end to wall for termination and support
- Qwik-Bolt™ design
- Shipped with one bolt for tray connection (order 1/2" diameter wall mounting hardware separately)

● Green = Fastest shipped items ● Black = Normal lead-time items ● Red = Normally long lead-time items



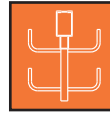
Data-Track™ Tray-To-Box Connector



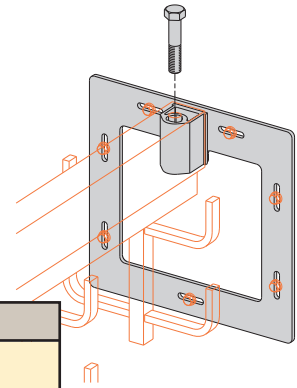
| Cat. No. | | |
|------------------------|----------------------|-------------------|
| CAT-BD B 3 12 B | | |
| Rung Type | Loading Depth | Tray Width |
| ● B=Bottom rung | ● 3=3" | ● 06= 6" |
| ● T=Top rung | ● 4=4" | ● 09= 9" |
| | ● 6=6" | ● 12=12" |
| | | ● 18=18" |
| | | ● 24=24" |

Patented (see page 117)

- Connects tray to opening in enclosures
- Qwik-Bolt™ design
- Shipped with one bolt for tray connection (order 1/4" diameter wall mounting hardware separately)



Verti-Rack™ Tray-To-Box Connector



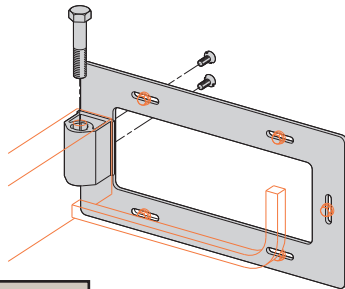
| Cat. No. | |
|------------------------|-------------------|
| CAT-B 4 V 06 B | |
| Number of Tiers | Tray Width |
| ● 2 = 2 tiers | ● 03 = 3" |
| ● 3 = 3 tiers | ● 06 = 6" |
| ● 4 = 4 tiers | ● 09 = 9" |
| ● 5 = 5 tiers | ● 12 = 12" |
| ● 6 = 6 tiers | |

Patented (see page 117)

- Connects tray to opening in enclosures
- Qwik-Bolt design
- Shipped with one bolt for tray connection (order 1/4" diameter wall mounting hardware separately)



Half-Rack™ Tray-To-Box Connector



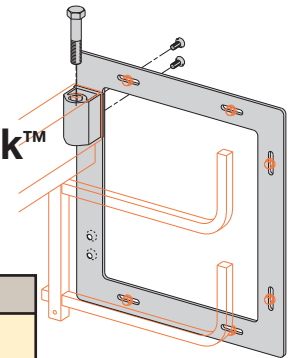
| Cat. No. | |
|-----------------------|-------------------|
| CAT-B1H 3 03 B | |
| Loading Depth | Tray Width |
| ● 3 = 3" | ● 03 = 3" |
| ● 4 = 4" | ● 06 = 6" |
| ● 6 = 6" | ● 09 = 9" |
| | ● 12 = 12" |

Patented (see page 117)

- Connects tray to opening in enclosures
- Qwik-Bolt design
- Shipped with one bolt for tray connection (order 1/4" diameter wall mounting hardware separately)



Multi-Tier Half-Rack™ Tray-To-Box Connector

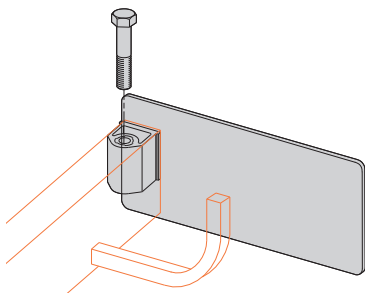


| Cat. No. | |
|------------------------|-------------------|
| CAT-B 2 M 03 B | |
| Number of Tiers | Tray Width |
| ● 2 = 2 tiers | ● 03 = 3" |
| ● 3 = 3 tiers | ● 06 = 6" |
| ● 4 = 4 tiers | ● 09 = 9" |
| | ● 12 = 12" |

Patented (see page 117)

- Connects tray to opening in enclosures
- Qwik-Bolt design
- Shipped with one bolt for tray connection (order 1/4" diameter wall mounting hardware separately)
- Designed for 3" and 4" fill

● Green = Fastest shipped items ● Black = Normal lead-time items ● Red = Normally long lead-time items

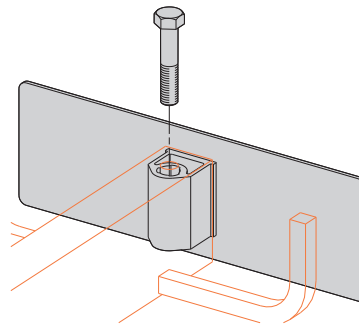


Half-Rack™ Blind End

| Cat. No. | | |
|-------------------------|---------------|------------|
| CAM-BE1 B 3 12 B | | |
| Rung Type | Loading Depth | Tray Width |
| ● B = Bottom rung | ● 3 = 3" | ● 06 = 6" |
| ● T = Top rung | ● 4 = 4" | ● 09 = 9" |
| | ● 6 = 6" | ● 12 = 12" |
| | | ● 18 = 18" |
| | | ● 24 = 24" |

Patented (see page 117)

- Terminates cable tray run
- Qwik-Bolt™ design
- Shipped with one bolt for tray connections

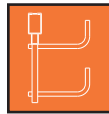
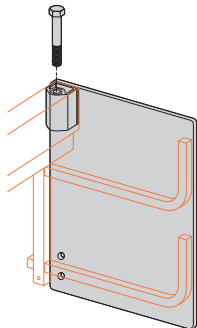


Data-Track™ Blind End

| Cat. No. | | |
|-------------------------|---------------|------------|
| CAM-BED B 3 12 B | | |
| Rung Type | Loading Depth | Tray Width |
| ● B = Bottom rung | ● 3 = 3" | ● 06 = 6" |
| ● T = Top rung | ● 4 = 4" | ● 09 = 9" |
| | ● 6 = 6" | ● 12 = 12" |
| | | ● 18 = 18" |
| | | ● 24 = 24" |

Patented (see page 117)

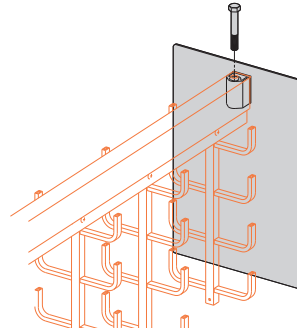
- Terminates cable tray run
- Qwik-Bolt design
- Shipped with one bolt for tray connections



| Cat. No. | | |
|------------------------|------------------|------------|
| CAM-BE 2 M 12 B | | |
| Tier | Rung Type | Tray Width |
| ● 2 = 2 Tier | ● M = Multi-Tier | ● 03 = 3" |
| ● 3 = 3 Tier | Half Rack® | ● 06 = 6" |
| ● 4 = 4 Tier | | ● 09 = 9" |
| | | ● 12 = 12" |

Patented (see page 117)

- Terminates cable tray run
- Qwik-Bolt design
- Shipped with one bolt for tray connections
- Designed for 3" and 4" fill

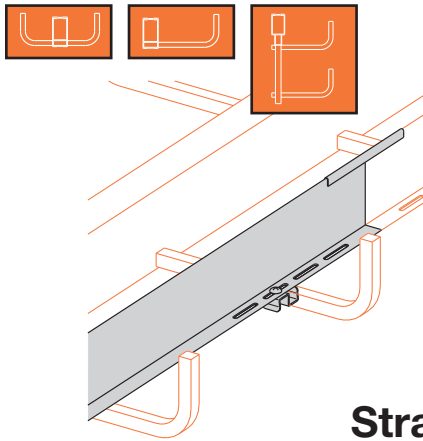


| Cat. No. | | |
|------------------------|-------------------|------------|
| CAM-BE 2 V 09 B | | |
| Tier | Rung Type | Tray Width |
| ● 2 = 2 Tier | ● V = Verti-Rack® | ● 03 = 3" |
| ● 3 = 3 Tier | | ● 06 = 6" |
| ● 4 = 4 Tier | | ● 09 = 9" |
| | | ● 12 = 12" |

Patented (see page 117)

- Terminates cable tray run
- Qwik-Bolt design
- Shipped with one bolt for tray connections
- Designed for straight rung and 2" fill

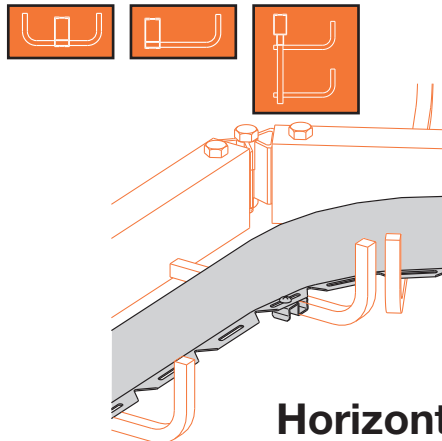
● Green = Fastest shipped items ● Black = Normal lead-time items ● Red = Normally long lead-time items



Straight Section Barriers

| Cat. No. | Tray Loading Depth | Length |
|------------|--------------------|--------------|
| ● C73A-144 | 3" (76.2mm) | 144" (3.66m) |
| ● C74A-144 | 4" (101.6mm) | 144" (3.66m) |
| ● C76A-144 | 6" (152.4mm) | 144" (3.66m) |
| ● C73A-120 | 3" (76.2mm) | 120" (3.05m) |
| ● C74A-120 | 4" (101.6mm) | 120" (3.05m) |
| ● C76A-120 | 6" (152.4mm) | 120" (3.05m) |

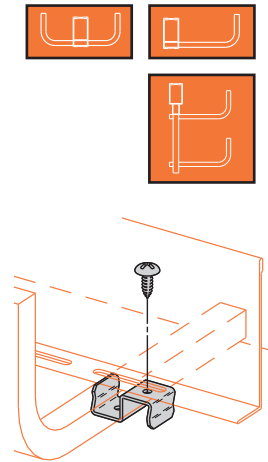
- Separates cable randomly in straight tray
- Furnished with 4 rung attachment clips, hardware and one splice



Horizontal Bend Barriers

| Cat. No. | Tray Loading Depth |
|---------------|--------------------|
| ● C73A-90HBFL | 3" (76.2mm) |
| ● C74A-90HBFL | 4" (101.6mm) |
| ● C76A-90HBFL | 6" (152.4mm) |

- Separates cable randomly
- Standard Length: 72" (6 ft.) (1.8m)
- Horizontal bend barriers are flexible in order to conform to any horizontal bend
- Furnished with 3 rung attachment clips, hardware and one splice



Rung Attachment

| Cat. No. |
|-----------|
| ● CZNM-RC |

- Used to attach barrier strips without screwing into rungs
- One #10 x 1/2" self-drilling screw included

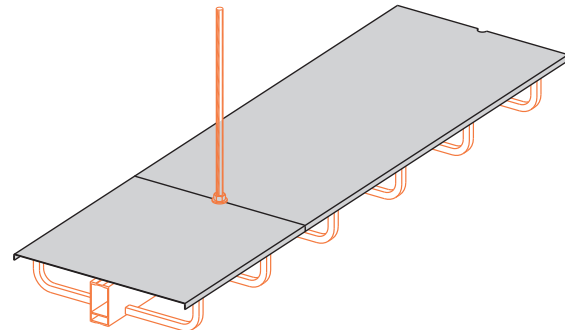


K1 Cover

| Bottom Rung Data-Track™ | | |
|--------------------------|---------------|---------|
| Cat. No. | Overall Width | |
| | in. | (mm) |
| ● C(*)K1F-DB-06-(length) | 9.000 | (228.6) |
| ● C(*)K1F-DB-09-(length) | 12.000 | (304.8) |
| ● C(*)K1F-DB-12-(length) | 15.000 | (381.0) |
| ● C(*)K1F-DB-18-(length) | 19.375 | (492.1) |
| ● C(*)K1F-DB-24-(length) | 25.375 | (644.5) |

| Top Rung Data-Track | | |
|--------------------------|---------------|---------|
| Cat. No. | Overall Width | |
| | in. | (mm) |
| ● C(*)K1F-DT-06-(length) | 7.375 | (187.3) |
| ● C(*)K1F-DT-09-(length) | 10.375 | (263.5) |
| ● C(*)K1F-DT-12-(length) | 13.375 | (339.7) |
| ● C(*)K1F-DT-18-(length) | 19.375 | (492.1) |
| ● C(*)K1F-DT-24-(length) | 25.375 | (644.5) |

(*) Insert "A" for .040" aluminum or "P" for 20 Ga. pre-galvanized steel.



- Available in .040 (1mm) aluminum
- Available in 20 (.9mm) gauge pre-galvanized steel.
- Notched for 1/2" ATR (hardware not included).
- Full 1/2" flange.
- Available in 10 ft. (120") (3.0m) and 12 ft. (144") (3.7m) sections.

| Length Suffix | Cover Length |
|---------------|-----------------------|
| ● -120 | 120" (10 ft.) (3.05m) |
| ● -144 | 144" (12 ft.) (3.66m) |

● Green = Fastest shipped items ● Black = Normal lead-time items ● Red = Normally long lead-time items

Section 1- Acceptable Manufacturers

- 1.01 Manufacturer: Subject to compliance with these specifications, cable tray system shall be as manufactured by Cooper B-Line, Inc.

Section 2- Cable Tray Sections and Components

- 2.01 General: Except as otherwise indicated, provide metal cable trays, of types, classes and sizes indicated with splice hangers and all other necessary accessories. Provide cable trays with rounded edges and smooth surfaces in compliance with applicable standards, and with the following additional construction features.
- 2.02 Materials and Finish: Aluminum: Center rails and rungs shall be extruded from Aluminum Association Alloy 6063. All fabricated parts shall be made from Aluminum Association Alloy 5052 and all cast parts from Aluminum Association Alloy 319. All hardware and fasteners shall be zinc plated steel in accordance with ASTM B633.
- 2.03 Cable trays shall be constructed of a center rail 1.625" x 3.250" with minimum section properties of $S_x = 0.701 \text{ in}^3$ and $I_x = 1.174 \text{ in}^4$. Rungs shall be a single continuous square tube 0.54" x 0.54" with radiused corners and minimum section properties of $S_x = 0.019 \text{ in}^3$ and $I_x = 0.005 \text{ in}^4$. Rungs shall be mechanically connected to the center rail in at least two places, symmetrical about the center rail, with ends finished to protect installers and cables.
- 2.04 Rungs shall be spaced every [6] [9] [12] inches.
- 2.05 Straight sections shall be supplied in [10] [12] foot lengths.
- 2.06 Cable tray width shall be [6] [9] [12] [18] [24] inches.
- 2.07 Splice hangers must also be capable of acting as the support points for all thread rod.
- 2.08 Cable tray loading depth shall be [3] [4] [6] inches.
- 2.09 All splices and connectors must protect cables from the edges of the center rail and act as a barrier to prevent the center rail from transmitting hazardous gases or smoke; hardware must be installed vertically, so as not to interfere with the cables in the cable fill area.
- 2.10 Where required, expansion splices shall allow for 1" of thermal expansion and contraction.
- 2.11 When required, and to provide an area free of center rails for cable transitions, contractor shall install a universal hub fitting. The universal hub fitting must be a cast aluminum structural member, B-Line CAU Series (flat sheets of steel or aluminum are not acceptable), which can be used with cable ties and allows the center rails to be connected so they may be pivoted at connection points.

Section 3- Loading Capacities and Testing

- 3.01 Cable tray shall meet the loading requirements of NEMA 12C.
- 3.02 Upon request, manufacturer shall provide test reports in accordance with the latest revision of NEMA VE-1 or CSA C22.2 No. 126-M91.
- 3.03 UL Compliance: Provide products which are UL classified and labeled.

Section 1- Acceptable Manufacturers

- 1.01 Manufacturer: Subject to compliance with these specifications, cable tray systems shall be as manufactured by Cooper B-Line, Inc.

Section 2- Cable Tray Sections and Components

- 2.01 General: Except as otherwise indicated, provide metal cable trays, of types, classes and sizes indicated with splice hangers and all other necessary accessories. Provide cable trays with rounded edges and smooth surfaces in compliance with applicable standards, and with the following additional construction features.
- 2.02 Materials and Finish: Aluminum: Center rails and rungs shall be extruded from Aluminum Association Alloy 6063. All fabricated parts shall be made from Aluminum Association Alloy 5052 and all cast parts from Aluminum Association Alloy 319. All hardware and fasteners shall be zinc plated steel in accordance with ASTM B633.
- 2.03 Cable trays shall be constructed of a center rail 1.625" x 3.900" with minimum section properties of $S_x = 0.558 \text{ in}^3$ and $I_x = 1.272 \text{ in}^4$. Rungs shall be a single continuous rectangular tube 0.54" x 0.31" with radiused corners and minimum section properties of $S_x = 0.007 \text{ in}^3$ and $I_x = 0.001 \text{ in}^4$. Rungs shall be mechanically connected to square trunks 0.71" x 0.71", symmetrical about the trunk, with ends finished to protect installers and cables. Trunks shall be mechanically connected to the center rail.
- 2.04 Rungs shall be spaced every [6] [9] [12] inches.
- 2.05 Straight sections shall be supplied in [10] [12] foot lengths.
- 2.06 Cable tray width shall be [3] [6] [9] [12] inches.
- 2.07 Splice hangers must also be capable of acting as the support points for all thread rod.
- 2.08 Cable tray loading depth shall be 2 inches.
- 2.09 Cable tray shall have [2] [3] [4] [5] [6] tiers.
- 2.10 All splices and connectors must protect cables from the edges of the center rail and act as a barrier to prevent the center rail from transmitting hazardous gases or smoke; hardware must be installed vertically, so as not to interfere with the cables in the cable fill area.
- 2.11 Where required, expansion splices shall allow for 1" of thermal expansion and contraction.
- 2.12 When required, cable tray system shall be expandable after installation, up to two additional tiers.

Section 3- Loading Capacities and Testing

- 3.01 Cable tray shall meet the loading requirements of NEMA 12C.
- 3.02 Upon request, manufacturer shall provide test reports in accordance with the latest revision of NEMA VE-1 or CSA C22.2 No. 126-M91.
- 3.03 UL Compliance: Provide products which are UL classified and labeled.

Section 1- Acceptable Manufacturers

- 1.01 Manufacturer: Subject to compliance with these specifications, cable tray systems shall be as manufactured by Cooper B-Line, Inc.

Section 2- Cable Tray Sections and Components

- 2.01 General: Except as otherwise indicated, provide metal cable trays, of types, classes and sizes indicated with splice hangers and all other necessary accessories. Provide cable tray with rounded edges and smooth surfaces in compliance with applicable standards, and with the following additional construction features.
- 2.02 Materials and Finish: Aluminum: Center rails and rungs shall be extruded from Aluminum Association Alloy 6063. All fabricated parts shall be made from Aluminum Association Alloy 5052 and all cast parts from Aluminum Association Alloy 319. All hardware and fasteners shall be zinc plated steel in accordance with ASTM B633.
- 2.03 Cable trays shall be constructed of a center rail 1.625" x 3.250" with minimum section properties of $S_x = 0.701 \text{ in}^3$ and $I_x = 1.174 \text{ in}^4$. Rungs shall be a single continuous square tube 0.54" x 0.54" with radiused corners and minimum section properties of $S_x = 0.019 \text{ in}^3$ and $I_x = 0.005 \text{ in}^4$. Rungs shall be mechanically connected to the center rail in at least two places, with ends finished to protect installers and cables.
- 2.04 Rungs shall be spaced every [6] [9] [12] inches.
- 2.05 Straight sections shall be supplied in [10] [12] foot lengths.
- 2.06 Cable tray width shall be [3] [6] [9] [12] inches.
- 2.07 Splice hangers must also be capable of acting as the support points for all thread rod.
- 2.08 Cable tray loading depth shall be [3] [4] [6] inches.
- 2.09 All splices and connectors must protect cables from the edges of the center rail and act as a barrier to prevent the center rail from transmitting hazardous gases or smoke; hardware must be installed vertically, so as not to interfere with the cables in the cable fill area.
- 2.10 Cable tray shall be capable of being installed flush against a flat surface without the use of spacers or brackets.
- 2.11 Where required, expansion splices shall allow for 1" of thermal expansion and contraction.

Section 3- Loading Capacities and Testing

- 3.01 Upon request, manufacturer shall provide test reports in accordance with the latest revision of NEMA VE-1 / CSA C22.2 No. 126.1-98.
- 3.02 UL Classified: Provide products which are UL classified and labeled.

Section 1- Acceptable Manufacturers

- 1.01 Manufacturer: Subject to compliance with these specifications, cable tray systems shall be as manufactured by Cooper B-Line, Inc.

Section 2- Cable Tray Sections and Components

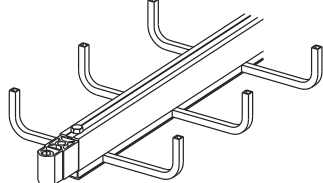
- 2.01 General: Except as otherwise indicated, provide metal cable trays, of types, classes and sizes indicated with splice hangers and all other necessary accessories. Provide cable tray with rounded edges and smooth surfaces in compliance with applicable standards, and with the following additional construction features.
- 2.02 Materials and Finish: Aluminum: Center rails and rungs shall be extruded from Aluminum Association Alloy 6063. All fabricated parts shall be made from Aluminum Association Alloy 5052 and all cast parts from Aluminum Association Alloy 319. All hardware and fastener shall be zinc plated steel in accordance with ASTM B633.
- 2.03 Cable trays shall be constructed of a center rail 1.625" x 3.900" with minimum section properties of $S_x = 0.558 \text{ in}^3$ and $I_x = 1.272 \text{ in}^4$. Rungs shall be a single continuous square tube 0.54" x 0.54" with radiused corners and minimum section properties of $S_x = 0.019 \text{ in}^3$ and $I_x = 0.005 \text{ in}^4$. Rungs shall be mechanically connected to square trunks 0.71" x 0.71", with ends finished to protect installers and cables. Trunks shall be mechanically connected to the center rail.
- 2.04 Rungs shall be spaced every [6] [9] [12] inches.
- 2.05 Straight sections shall be supplied in [10] [12] foot lengths.
- 2.06 Cable tray width shall be [3] [6] [9] [12] inches.
- 2.07 Splice hangers must also be capable of acting as the support points for all thread rod.
- 2.08 Cable tray loading depth shall be [3] [4] inches.
- 2.09 Cable tray shall have [2] [3] [4] tiers.
- 2.10 All splices and connectors must protect cables from the edges of the center rail and act as a barrier to prevent the center rail from transmitting hazardous gases or smoke; hardware must be installed vertically, so as not to interfere with the cables in the cable fill area.
- 2.11 Cable tray shall be capable of being installed flush against a flat surface without the use of spacers or brackets.
- 2.12 Where required, expansion splices shall allow for 1" of thermal expansion and contraction.
- 2.13 When required, cable tray system shall be expandable after installation, up to two additional tiers.

Section 3- Loading Capacities and Testing

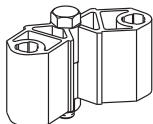
- 3.01 Upon request, manufacturer shall provide test reports in accordance with the latest revision of NEMA VE-1 / CSA C22.2 No. 126.1-98.
- 3.02 UL Compliance: Provide products which are UL classified and labeled.

Common Items Required:

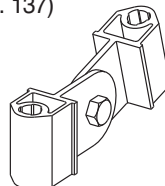
- 10 ft (3.0m) or 12 ft (3.7m) Straight Sections with Standard Splice Hangers. (pgs. 124-131)



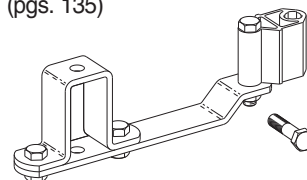
- Horizontal Adjustable Splices (pg. 134)



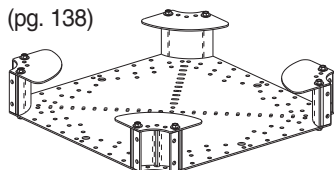
- Vertical Adjustable Splices (pg. 137)



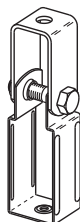
- Horizontal Elbow & Tee Coupling (pgs. 135)



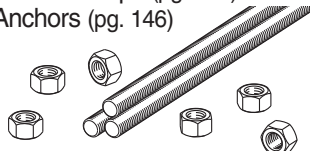
- Universal Hub Fittings with Pivot Connectors (pg. 138)



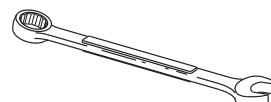
- Clevis Hangers (pgs. 140 & 141)



- 1/2" ATR & Hex Nuts (pg. 145)
- Beam Clamps (pg. 147)
- Anchors (pg. 146)



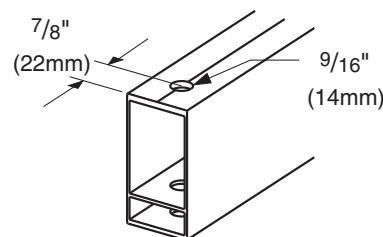
- Two 3/4" Combination Wrenches



Guidelines for Common Items:

- When field cutting is required, use drill fixture (pg. 152) to cut ends square and locate new splice holes, or drill one 9/16" (14mm) hole 7/8" (22mm) on center from end of the tray through center rail.

IMPORTANT: Tube end must be cut square when field cutting.



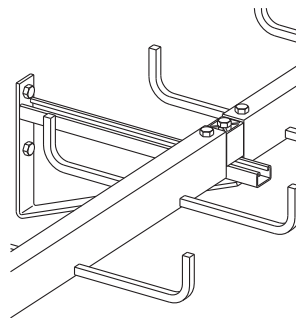
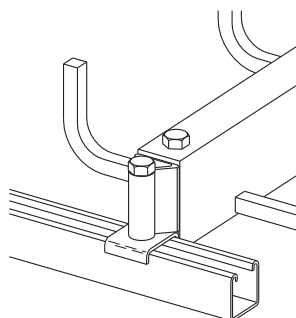
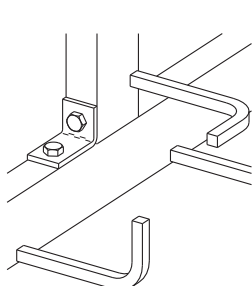
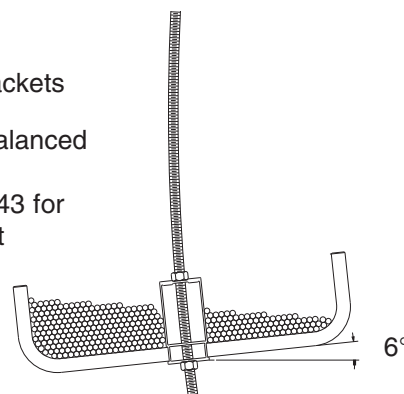
- When hanging ATR, leave slightly loose until after tray is installed to ease alignment with splice hanger holes.
- When attaching the tray system to the ATR, extend the ATR approximately 1" past the hex nut to allow for the use of B655 rod couplings (pg. 146) for future expansion.

• To address unbalanced loading.

When tray stabilization is required for non-uniform loading, use brackets with ATR as shown: (pg. 144)

- CENT-R-RAIL™ tray was designed to be interactive with Cooper B-Line's strut systems, allowing multiple options for miscellaneous supports. Refer to Cooper B-Line's Strut Systems catalog and seismic brochure for a complete listing of items available. A few examples are shown below:

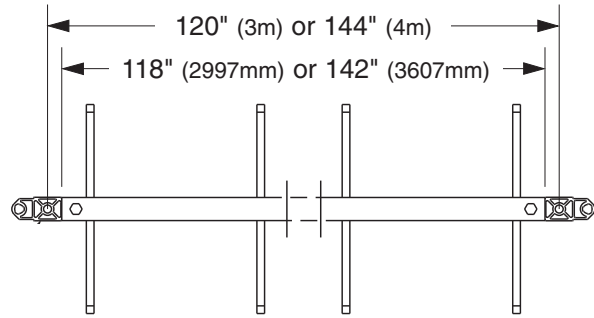
- Page 171 - unbalanced loading study.
- Refer to page 143 for auxiliary support



Guidelines for Common Items:

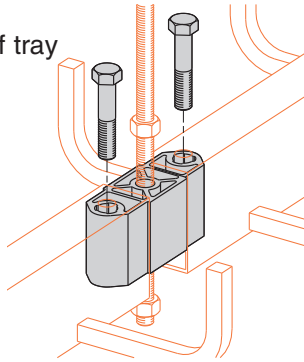
• When installing straight sections:

- Hang 1/2" ATR on 10 ft or 12 ft centers (depending on tray lengths) with one hex nut threaded approximately 4 inches onto ATR.
- Attach splice hanger and tray onto ATR through center hole of splice hanger.
- Install one hex nut on ATR under tray and thread up to set elevation of tray.
- Tighten upper hex nut against top of splice hanger.
- For wall attachment options see Seismic Restraints Cent-R-Rail® Supplement.



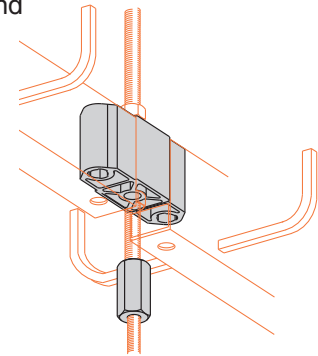
• When using Qwik-Bolt™ Splice Hangers:

- Insert splice into ends of tray with non-threaded side toward bolt head.
- Insert bolts and tighten securely.



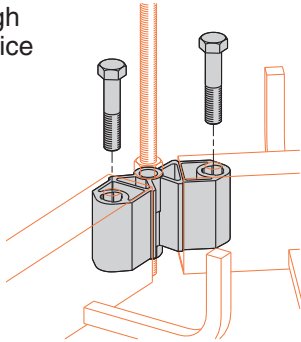
• Allow for future expansion

- When possible, extend ATR 1" past bottom hex nut to provide for later expansion by using an ATR coupling (pg. 146).



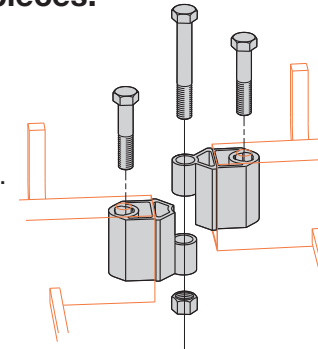
• When using Horizontal Adjustable Splices:

- Install with ATR through center hole, adjust splice to required angle and tighten ATR nuts. (May also install with the included 3" bolt and nut and support tray using a clevis hanger within 2 ft of splice.)
- For optional outside bend cable support, horizontal bend rung support (pg. 134).



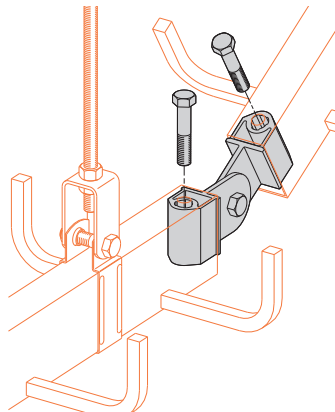
• For connecting two mid-run straight pieces:

- Use Horizontal Adjustable Splices to join two straight sections at mid-run, where short of space for connection.

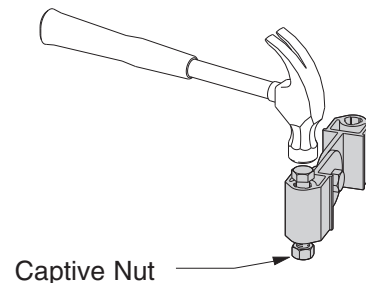


• When using Vertical Adjustable Splices:

- Attach splice to trays and install a clevis hanger within 2 ft of splice to support tray. (May also install using ATR as support by first removing captive nut.)
- Tighten pivot bolt & nut.



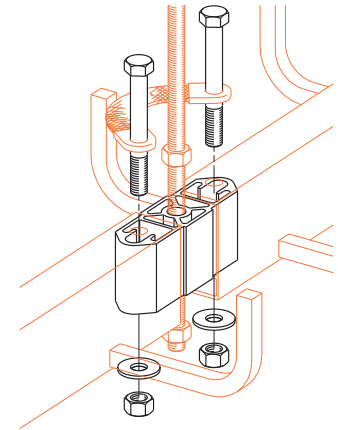
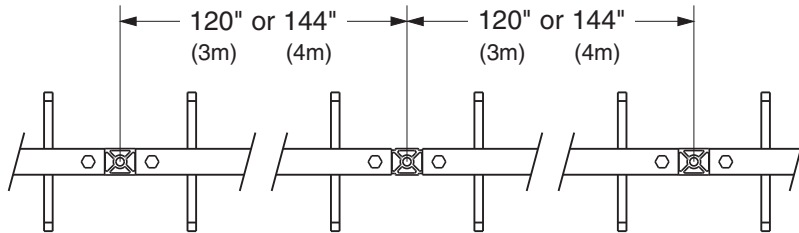
• Removing the captive nut



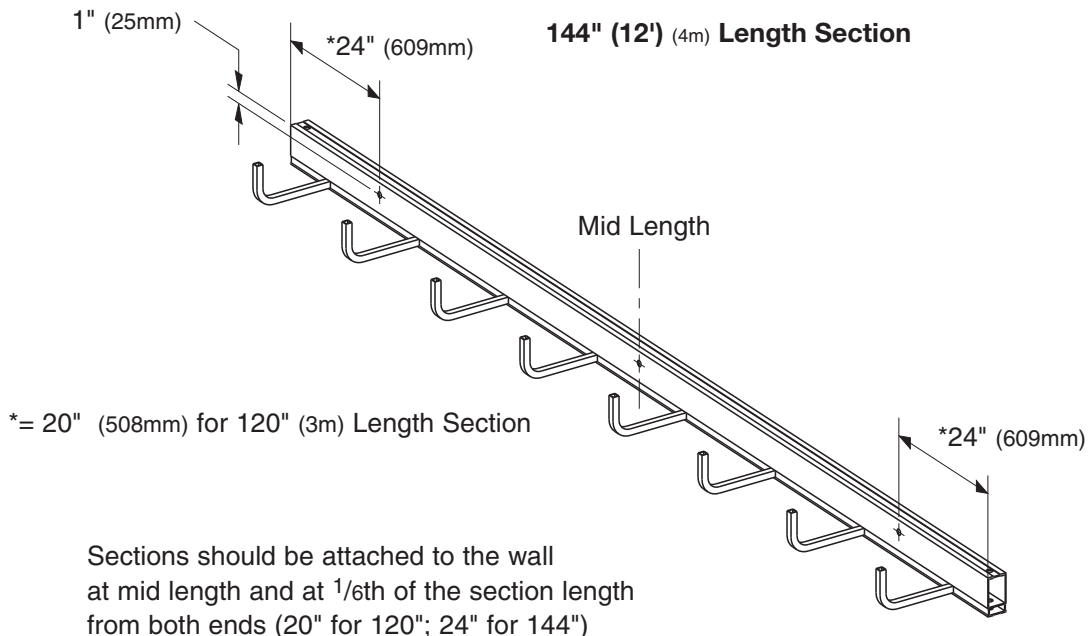
Guidelines for Common Items:

- **When using Expansion Splice Hangers:**

- Both splices adjacent to expansion splice hangers must be installed 120" or 144" (depending on the tray length) on centers from expansion splice to allow full expansion and contraction.
- Grounding jumper must be installed with expansion splice.



Half-Rack™ and Multi-Tier Half-Rack™ Support Locations



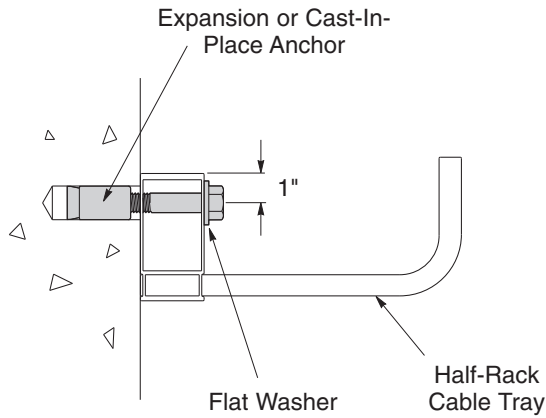
- **When wall-mounting tray:**

- Attach tray and splice to wall by bolting through center rail to wall. (May also be installed using other methods, such as brackets.)

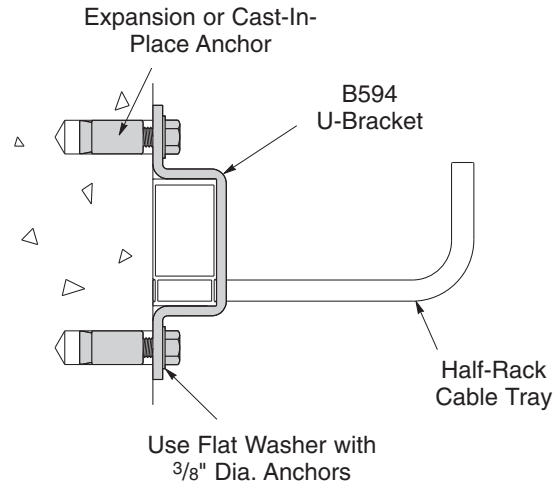
Guidelines for Common Items:

Half-Rack™ Mounting Details:

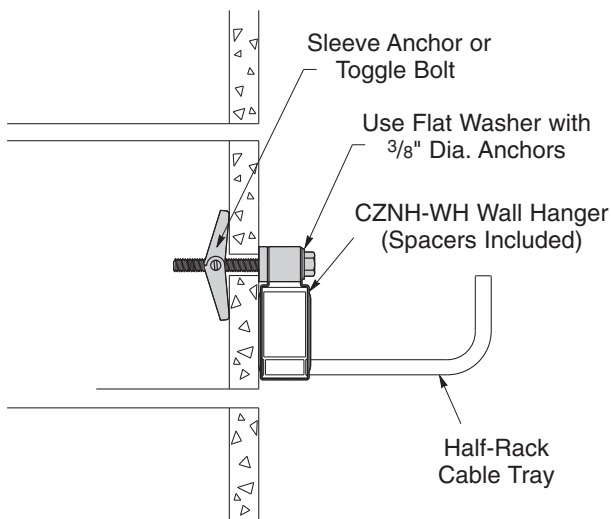
- **Drill Through Method:
In Concrete Slab**



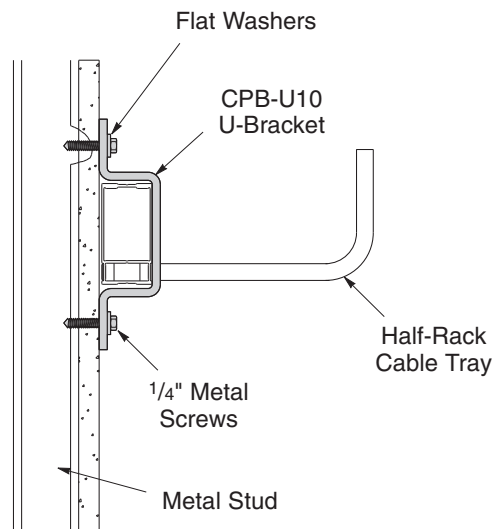
- **B594 Clevis U-Bracket:
In Concrete Slab**



- **CZNH-WH Wall Hanger:
In Hollow CMU Wall**



- **CPB-U10 U-Bracket:
In Drywall & Metal Stud Wall**
- **CPB-CV1 For Multi-Tier Half-Rack**

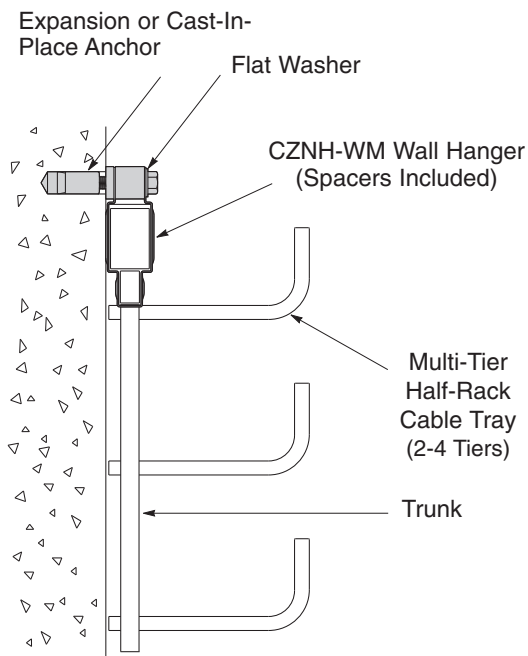


Note: These mounting details serve as a vertical support, and can serve as seismic bracing. See the Cent-R-Rail Seismic Restraints brochure for details.

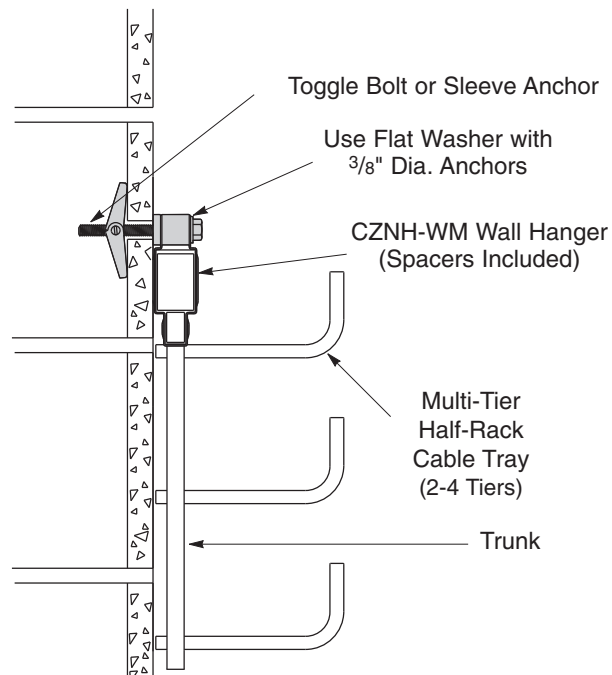
Guidelines for Common Items:

Multi-Tier Half-Rack™ Mounting Details:

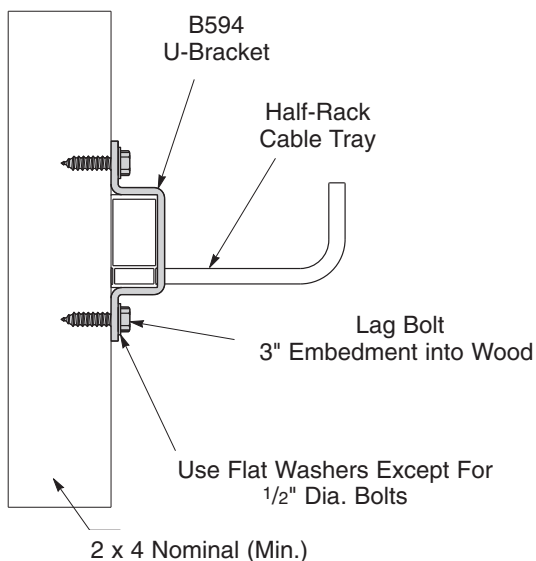
- **CZNH-WM Wall Hanger:**
In Concrete Slab



- **CZNH-WM Wall Hanger:**
In Hollow CMU Wall



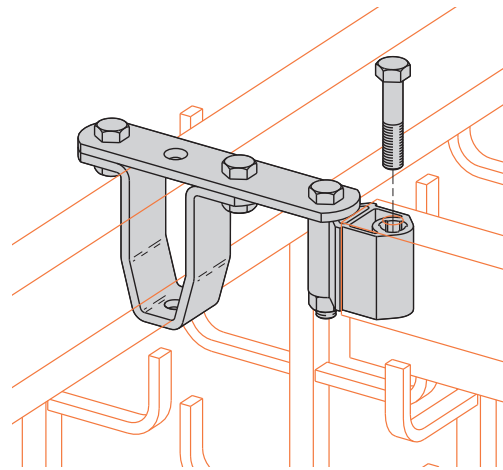
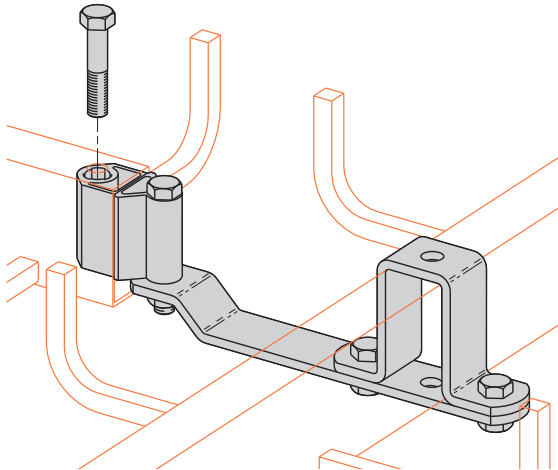
- **B594 Clevis U-Bracket:**
In Wood Stud Wall



Guidelines (cont.):

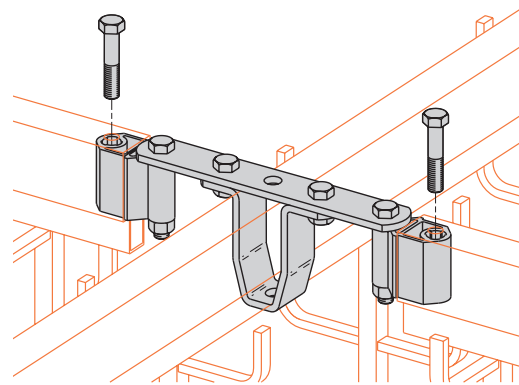
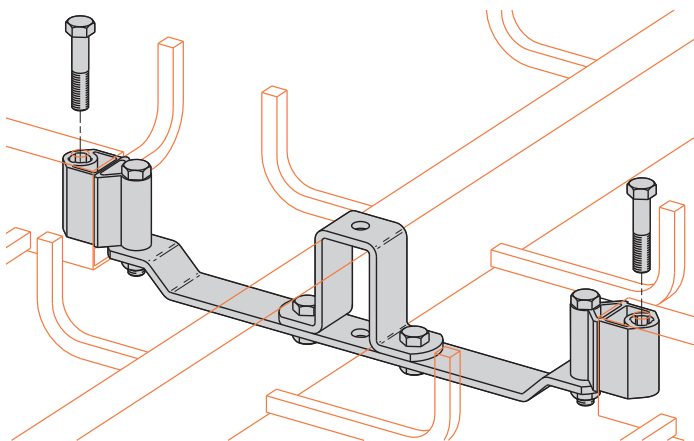
• When using Horizontal Elbow and Tee Couplings:

- Bolt “U” bracket around tray center rail with coupling bar on bottom of center rail for Data-Track™ & Half-Rack™, and top of center rail for Verti-Rack™ & Multi-Tier Half-Rack™.
- Attach pivot connector to branch tray using included bolt, and support tray with clevis hanger within 2 ft of coupling. (May also attach to ATR by first removing captive nut.)
- Adjust pivot connector to desired position and tighten all hardware.



• When using Horizontal Cross Couplings:

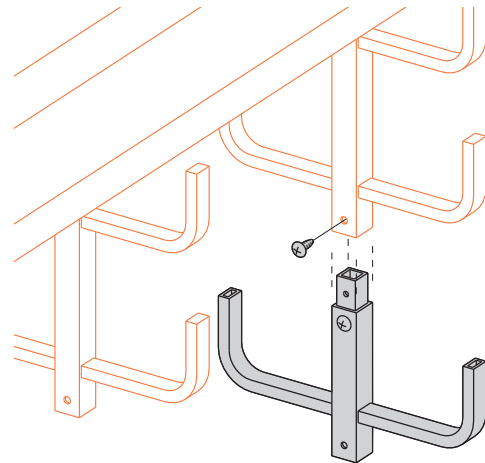
- Installation is similar to elbow and tee coupling, except with two branch trays instead of one.
- Support ATR may be located through existing “U” bracket holes, by using clevis hangers within 2 ft of coupling. (May also attach to ATR by first removing captive nut.)



Guidelines (cont.):

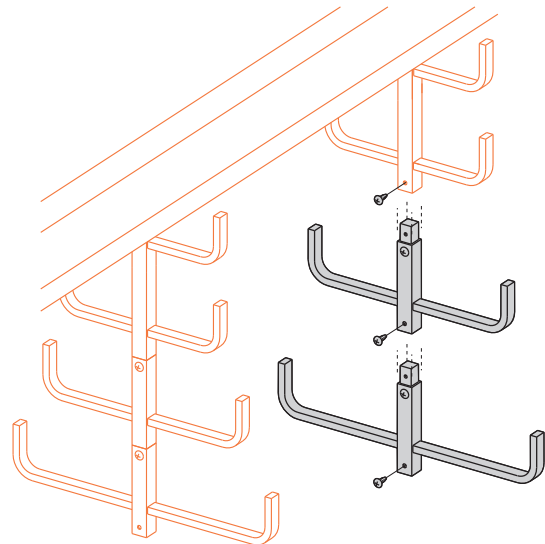
- **When using Add-A-Rung™ with Verti-Rack™ or Multi-Tier Half-Rack™:**

- See loading data for maximum center rail load capacity to determine the maximum number of tiers allowed.
- Insert Add-A-Rung™ into end of vertical trunk.
- Install included screw through pilot hole in trunk.



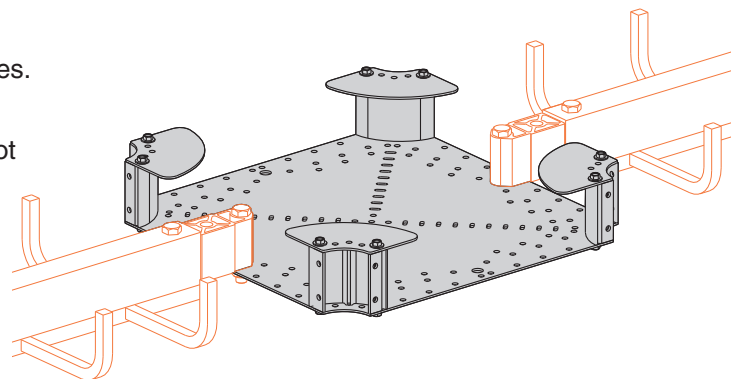
- **When using Add-A-Rung with Verti-Rack or Multi-Tier Half Rack in Different Widths:**

- See loading data for maximum center rail load capacity to determine the maximum number of tiers in different widths allowed.
- 3", 6", 9" and 12" wide tiers.
- Insert Add-A-Rung into end of vertical trunk.
- Install included screw through pilot hole in trunk.
- See page 126 for part number.



- **When using Universal Hub Fittings:**

- Position hubs with rounded edges toward cables.
- Attach pivot connectors to cable support surface using ATR, or bolt and nut through pivot hole. (If bolt and nut are used, tray must be supported using clevis hangers within 2 ft of pivot connectors.)
- Connect tray ends to pivot connectors.
- Position pivot connectors as desired and tighten hardware.
- **Warning: Do not use as a support for personnel!**

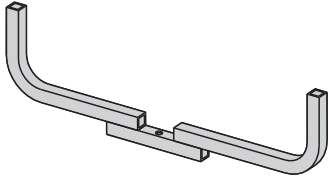


Cent-R-Rail™ - Installation Suggestions

Cent-R-Rail



Data-Track™ Bottom Rung Replacement

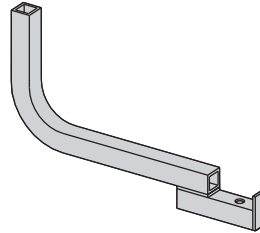


- #10 self-drilling attachments included.
- This product can act as a Rail-Riser™ for Data-Track.

| Cat. No. |
|---------------|
| ● C3ADB-06-RK |
| ● C3ADB-09-RK |
| ● C3ADB-12-RK |
| ● C3ADB-18-RK |
| ● C3ADB-24-RK |
| ● C4ADB-06-RK |
| ● C4ADB-09-RK |
| ● C4ADB-12-RK |
| ● C4ADB-18-RK |
| ● C4ADB-24-RK |
| ● C6ADB-06-RK |
| ● C6ADB-09-RK |
| ● C6ADB-12-RK |
| ● C6ADB-18-RK |
| ● C6ADB-24-RK |



Half-Rack™ Rung Replacement

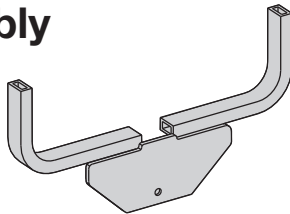


- #10 self-drilling attachments included.

| Cat. No. |
|---------------|
| ● C3A1H-03-RK |
| ● C3A1H-06-RK |
| ● C3A1H-09-RK |
| ● C3A1H-12-RK |
| ● C4A1H-03-RK |
| ● C4A1H-06-RK |
| ● C4A1H-09-RK |
| ● C4A1H-12-RK |
| ● C6A1H-03-RK |
| ● C6A1H-06-RK |
| ● C6A1H-09-RK |
| ● C6A1H-12-RK |



Verti-rack™ Rung Replacement Assembly

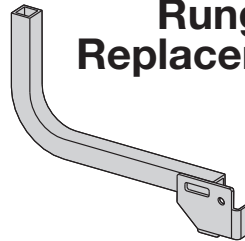


- #10 self-drilling attachments included.

| Cat. No. |
|--------------|
| ● C2AV-03-RK |
| ● C2AV-06-RK |
| ● C2AV-09-RK |
| ● C2AV-12-RK |



Multi-Tier Half-Rack™ Rung Replacement

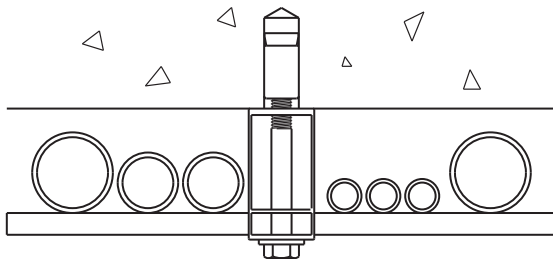


- #10 self-drilling attachments included.

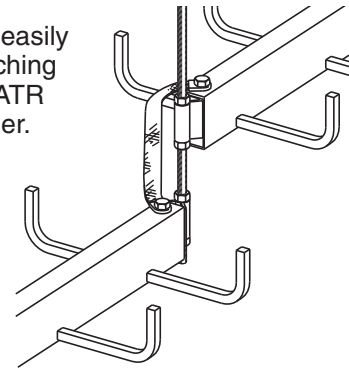
| Cat. No. |
|--------------|
| ● C3AM-03-RK |
| ● C3AM-06-RK |
| ● C3AM-09-RK |
| ● C3AM-12-RK |
| ● C4AM-03-RK |
| ● C4AM-06-RK |
| ● C4AM-09-RK |
| ● C4AM-12-RK |

Helpful Hints

- When installing cables near a ceiling, use straight rung DATA-TRACK and bolt to ceiling through splice holes or use "U" brackets (pg. 143).



- Vertical offsets can be easily fabricated by attaching two trays to the same ATR with one above the other.



Note: Bonding jumper is required to maintain electrical continuity. (pg. 148)

● Green = Fastest shipped items ● Black = Normal lead-time items ● Red = Normally long lead-time items

Cable Tray Fill

The National Electrical Code allows for 50% fill of ventilated cable tray for control or signal wiring (Article 318-9(b)). This rule requires that all the individual cable cross-sectional areas added up may not exceed one half the cable tray area. The cable tray area is equal to the width times the load depth.

In actual practice with Category 5 cables, however, the cable tray is completely full in order to reach the “50% cable fill”. See the picture below. The tray is completely full, but the sum of the cable area is only 50% of the tray area, due to the empty spaces between the cables.



Picture shows 12" wide Cent-R-Rail cable tray with 3" load depth. The tray contains 520 4 UTP Category 5 cables (.21" OD).

This being the case, there is a practical limit to the amount of cables that can be installed in the tray, based on the trays' width and load depth. The following chart shows the approximate cable weight that can be installed without exceeding the 50% fill rule:

| Cable Tray Width | Cable Tray Fill Depth | | |
|---------------------|-----------------------------|------------------------------|-------------|
| | 3" | 4" | 6" |
| 6" | 7 lbs/ft ^{Group 1} | 9 lbs/ft | 13.5 lbs/ft |
| 9" | 10 lbs/ft | 13.5 lbs/ft | 20 lbs/ft |
| 12" | 13.5 lbs/ft | 18 lbs/ft | 27 lbs/ft |
| 18" | 20 lbs/ft | 27 lbs/ft ^{Group 2} | 41 lbs/ft |
| 24" | 27 lbs/ft | 36 lbs/ft | 50 lbs/ft |

This chart was based on 50% fill of 4 UTP Category 5 cable (O.D. = .21", .026 lbs/ft).

This is not a maximum load rating for the tray, rather a practical guide to the amount of cable weight that can realistically be installed.

For analysis purposes, the loads are separated into 2 groups: less than 25 lbs/ft, and greater than 25 lbs/ft. These groups will be used in the eccentric load study on the following pages.

Data-Track™ Allowable Unbalanced Load Distribution

Group 1 - Loads under 25 lbs/ft

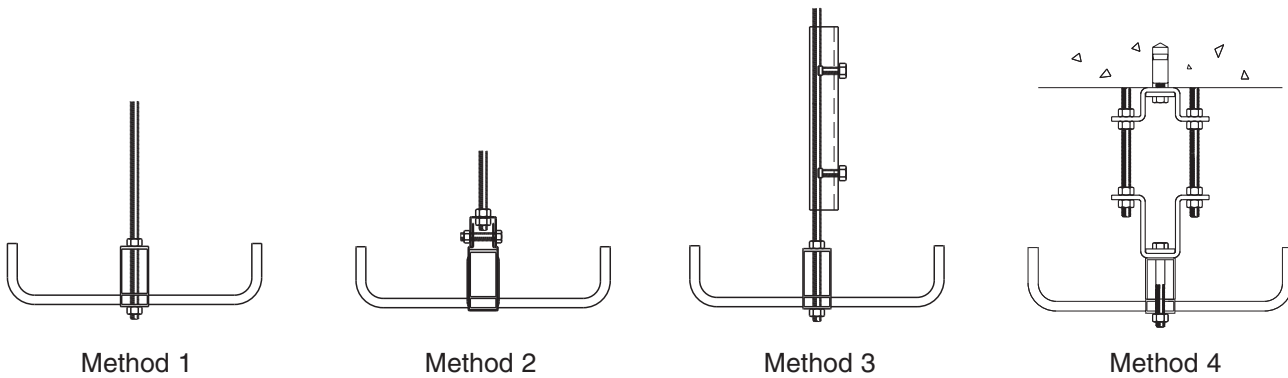
| | Loading Balance %* |
|---|--------------------|
| Method 1 - 1/2" all thread rod with hex nuts on top and bottom of tray | 65/35 |
| Method 2 - 1/2" all thread rod with CZNH-CD clevis hanger | 65/35 |
| Method 3 - 1/2" all thread rod stiffened with B22 and SC228's (pg. 144) | 80/20 |
| Method 4 - using CZN-DRS-72 (pg. 144) | 100/0 |

Group 2 - Loads between 25 lbs/ft and 50 lbs/ft

| | Loading Balance %* |
|---|--------------------|
| Method 1 - 1/2" all thread rod with hex nuts on top and bottom of tray | 60/40 |
| Method 2 - 1/2" all thread rod with CZNH-CD clevis hanger | 55/45 |
| Method 3 - 1/2" all thread rod stiffened with B22 and SC228's (pg. 144) | 65/35 |
| Method 4 - using CZN-DRS-72 (pg. 144) | 80/20 |

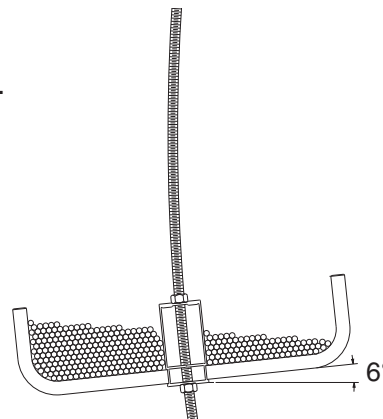
Failure was defined as a 6 degree horizontal tilt of the tray. Tests were performed on single sections of tray with a span of 12 ft between supports. Maximum hanger rod length tested was 6 ft. For study results refer to page 171.

*Defined as percentage of total cable load allowed on one side of the tray.

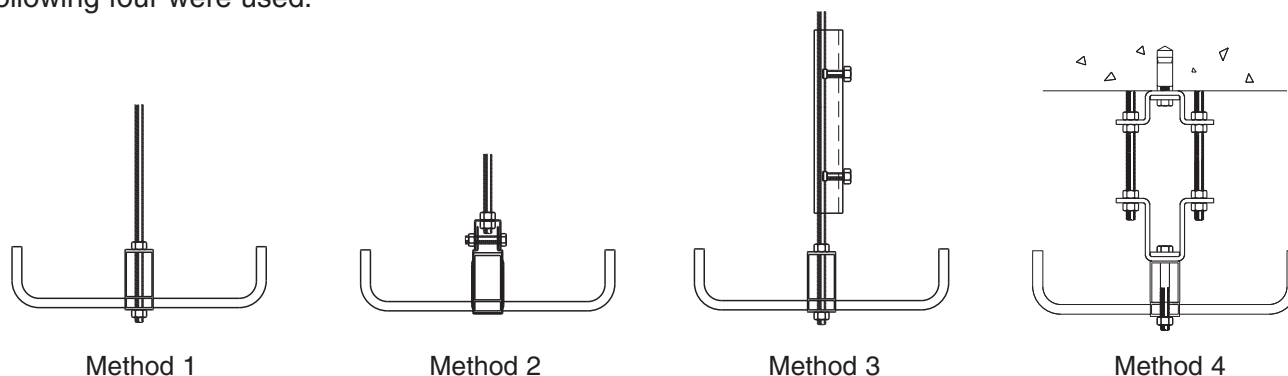


Unbalanced Loading - The Study

To better understand uneven loading on center rail systems, Cooper B-Line ran a series of tests on Data-Track™. Tests were performed with supports on twelve foot centers using 1/2" threaded rod. The maximum allowable tilt was set at six degrees. This angle was chosen purely for aesthetic reasons. It is nowhere near structural failure, but the point at which it started to look unacceptable.



Center rail systems can be supported using different processes. For B-Line's study, the following four were used:



- Method 1: 1/2" ATR passing through splice hangers (CAS-SB) with hex nuts on top and bottom.
- Method 2: 1/2" ATR with clevis (CZNH-CD).
- Method 3: 1/2" ATR reinforced with rod stiffener (B22 channel rod stiffener and SC228 hanger rod stiffener assembly).
- Method 4: CZN-DRS-72 special purpose support assembly.

Combining the two loading groups and the four support methods, testing revealed the following:

| <u>Group 1-Under 25 lbs/ft</u> | <u>Loading Balance %*</u> |
|--------------------------------|---------------------------|
| Method 1 | 65/35 |
| Method 2 | 65/35 |
| Method 3 | 80/20 |
| Method 4 | 100/0 |

| <u>Group 2 - 25 lbs/ft to 50 lbs/ft</u> | <u>Loading Balance %*</u> |
|---|---------------------------|
| Method 1 | 60/40 |
| Method 2 | 55/45 |
| Method 3 | 65/35 |
| Method 4 | 80/20 |

As a reminder, failure was defined as a 6° horizontal tilt. The supports were on 12 ft centers and the ATR drops were 6 ft. Cable loading was estimated for category 5 cable weighing .021 lbs/ft with a cross-sectional area of .0492 square inches. This information should be beneficial when considering eccentric loading and center rail systems.

*Defined as percentage of total cable load allowed on one side of the tray.

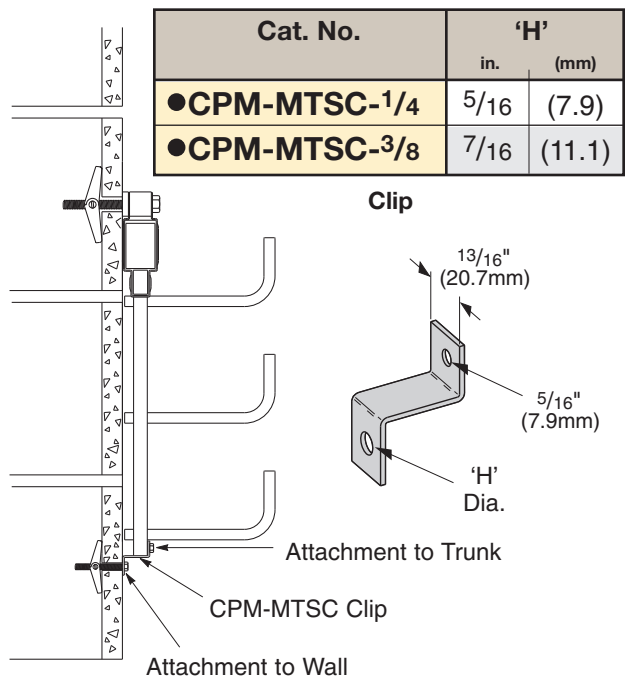
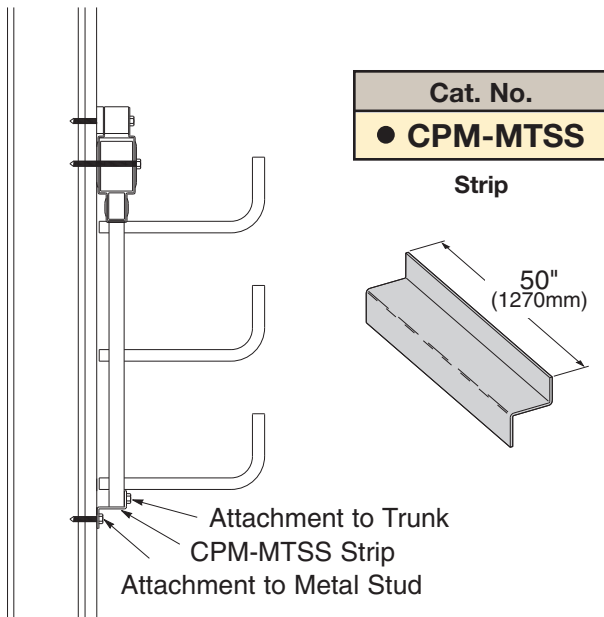
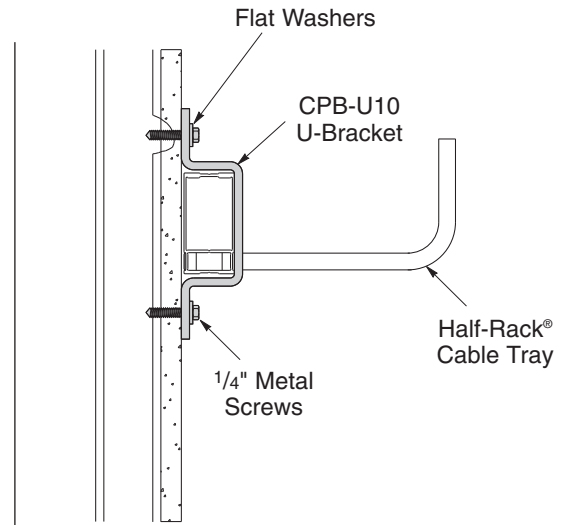
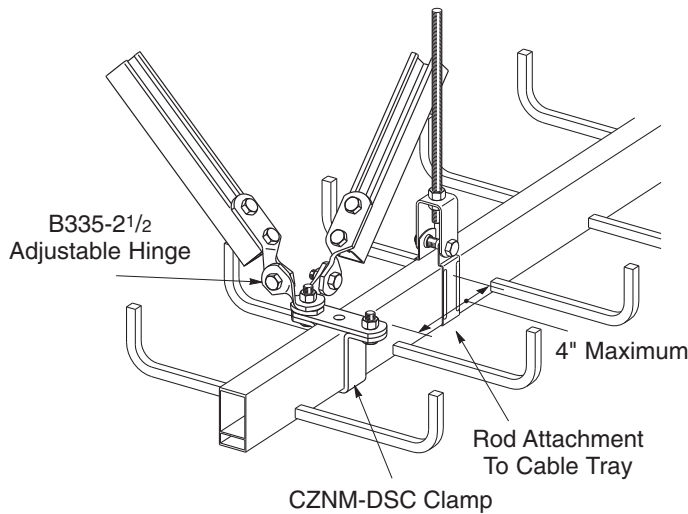
Seismic Restraint Systems

❑ SRS-00 Seismic Restraints

Multi-Directional bracing for electrical conduit, cable tray and mechanical piping systems. Standard mounting details and bracing schedules have been reviewed and stamped by a California structural engineer.

❑ SRS-CR1 Cent-R-Rail Seismic Supplement

Multi-Directional bracing for Data-Track™, Half-Rack™ and Multi-Tier Half-Rack™ Systems. Standard mounting details and bracing schedules have been reviewed and stamped by a California structural engineer.



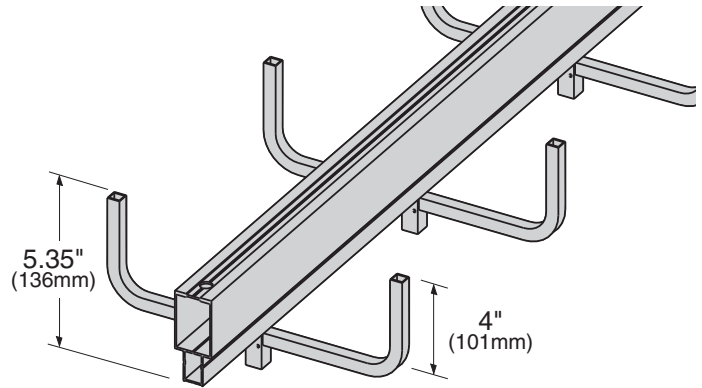
● Green = Fastest shipped items ● Black = Normal lead-time items ● Red = Normally long lead-time items

New - Verti-Rack™ 4" Fill Depth to 24" Wide

Single Tier

| |
|-------------------------|
| Cat. No. |
| ● C4A1V12-24-144 |

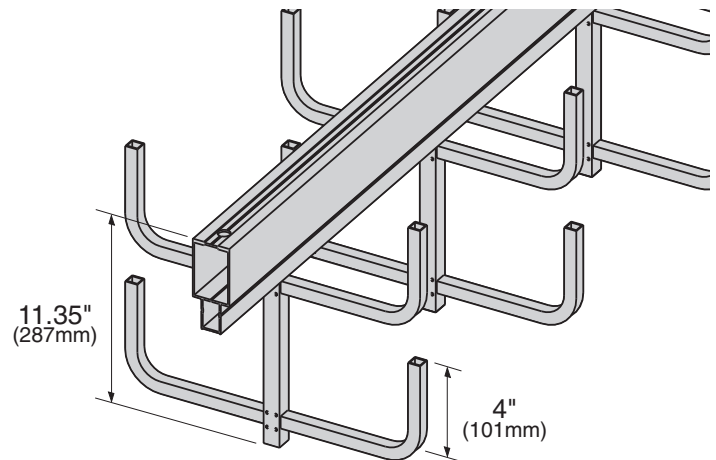
- Expandable with Add-A-Rung
- Center rail loading to NEMA 12C
- UL Classified
- Widths available: 6", 9", 12", 18" and 24"
- Lengths: 120" or 144"



Two Tier

| |
|-------------------------|
| Cat. No. |
| ● C4A2V12-24-144 |

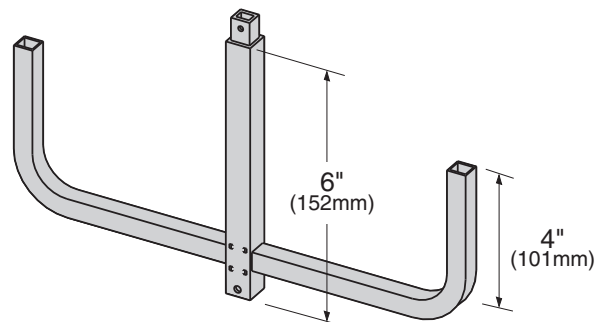
- Center rail loading to NEMA 12C
- UL Classified
- Widths available: 6", 9", 12", 18" and 24"
- Lengths: 120" or 144"



Add-A-Rung

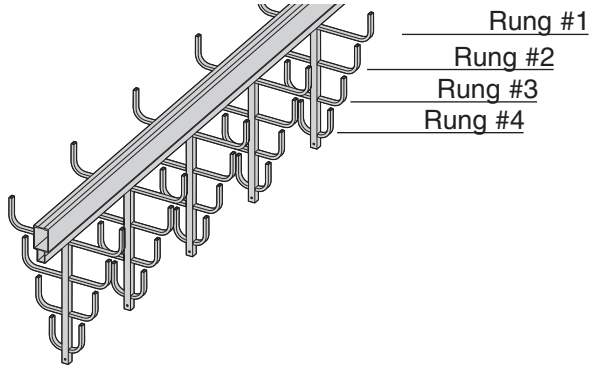
| |
|--------------------|
| Cat. No. |
| ● CAR-1V424 |

- Attaches to bottom of existing tray
- Shipped with required hardware



● Green = Fastest shipped items ● Black = Normal lead-time items ● Red = Normally long lead-time items

Variable Width Verti-Rack™



| **Variable Width Verti-Rack® 4 Tier Example | |
|--|-------|
| C2A4V12-12-09-06-03-144 | |
| Width | |
| Rung #1 | = 12" |
| Rung #2 | = 09" |
| Rung #3 | = 06" |
| Rung #4 | = 03" |
| Rung #1 being closest to the center rail | |

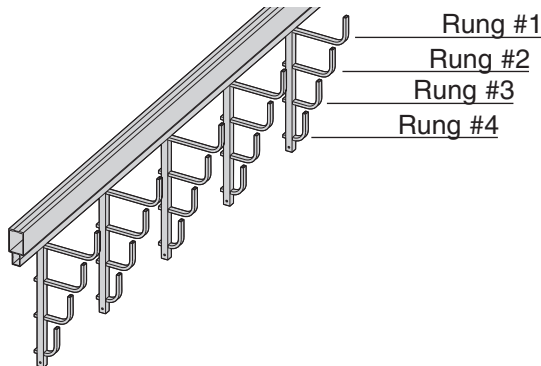
Variable Width Verti-Rack Straight Section Part Numbering

C2 A 4V 12 - 12-09-06-03 - 144

| Series | Material | Type | Rung Spacing | Width** | Length* |
|---|--|---|--|---|--|
| <ul style="list-style-type: none"> ● C0 = Straight Rung ● C2 = 2" Loading Depth | <ul style="list-style-type: none"> ● A = Aluminum | <ul style="list-style-type: none"> ● 2V = 2 tier ● 3V = 3 tier ● 4V = 4 tier ● 5V = 5 tier ● 6V = 6 tier | <ul style="list-style-type: none"> ● 06 = 6" ● 09 = 9" ● 12 = 12" (Specials available) | <ul style="list-style-type: none"> ● 03 = 3" ● 06 = 6" ● 09 = 9" ● 12 = 12" | <ul style="list-style-type: none"> ● 144 = 144" ● 120 = 120" |

* Actual tray lengths are 142" and 118" to allow for splice hangers

Variable Width Multi-Tier Half-Rack™



| **Variable Width Multi-Tier Half-Rack® 4 Tier Example | |
|--|-------|
| C3A4M09-12-09-06-03-144 | |
| Width | |
| Rung #1 | = 12" |
| Rung #2 | = 09" |
| Rung #3 | = 06" |
| Rung #4 | = 03" |
| Rung #1 being closest to the center rail | |

Variable Width Multi-Tier Half-Rack Straight Section Part Numbering

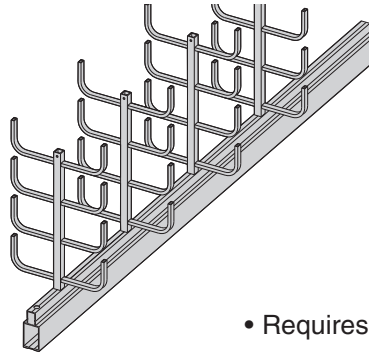
C3 A 4M 09 - 12-09-06-03 - 144

| Series | Material | Type | Rung Spacing | Width** | Length* |
|--|--|---|--|---|--|
| <ul style="list-style-type: none"> ● C0 = Straight Rung ● C3 = 3" Loading Depth ● C4 = 4" Loading Depth | <ul style="list-style-type: none"> ● A = Aluminum | <ul style="list-style-type: none"> ● 2M = 2 tier ● 3M = 3 tier ● 4M = 4 tier (Specials available) | <ul style="list-style-type: none"> ● 06 = 6" ● 09 = 9" ● 12 = 12" | <ul style="list-style-type: none"> ● 03 = 3" ● 06 = 6" ● 09 = 9" ● 12 = 12" | <ul style="list-style-type: none"> ● 144 = 144" ● 120 = 120" |

* Actual tray lengths are 142" and 118" to allow for splice hangers

● Green = Fastest shipped items ● Black = Normal lead-time items ● Red = Normally long lead-time items

Inverted Verti-Rack™



Used as a floor mounted system

• Requires splice CAS-SBVI

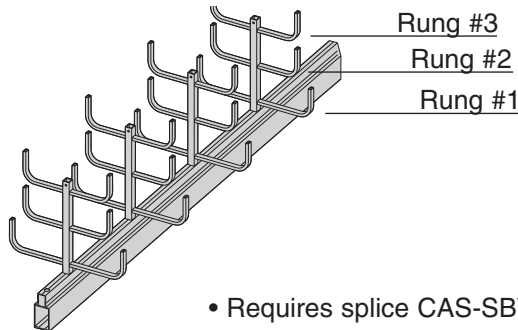
Inverted Verti-Rack Straight Section Part Numbering

C2 A 4VI 12 - 09 - 144

| Series | Material | Type | Rung Spacing | Width** | Length* |
|---|--|--|---|---|--|
| <ul style="list-style-type: none"> ● C0 = Straight Rung ● C2 = 2" Loading Depth | <ul style="list-style-type: none"> ● A = Aluminum | <ul style="list-style-type: none"> ● 2VI = 2 tier ● 3VI = 3 tier ● 4VI = 4 tier ● 5VI = 5 tier ● 6VI = 6 tier | <ul style="list-style-type: none"> ● 06 = 6" ● 09 = 9" ● 12 = 12" (Specials available) | <ul style="list-style-type: none"> ● 03 = 3" ● 06 = 6" ● 09 = 9" ● 12 = 12" | <ul style="list-style-type: none"> ● 144 = 144" ● 120 = 120" |

* Actual tray lengths are 142" and 118" to allow for splice hangers

Inverted Variable Width Verti-Rack



Used as a floor mounted system

• Requires splice CAS-SBVI

****Inverted Variable Width Verti-Rack
3 Tier Example**

C2A3VI12-12-09-09-144

Width

Rung #1 = 12"

Rung #2 = 09"

Rung #3 = 09"

Rung #1 being closest to the center rail

Inverted Variable Width Verti-Rack Straight Section Part Numbering

C2 A 3VI 12 - 12-09-09 - 144

| Series | Material | Type | Rung Spacing | Width** | Length* |
|---|--|--|---|---|--|
| <ul style="list-style-type: none"> ● C0 = Straight Rung ● C2 = 2" Loading Depth | <ul style="list-style-type: none"> ● A = Aluminum | <ul style="list-style-type: none"> ● 2VI = 2 tier ● 3VI = 3 tier ● 4VI = 4 tier ● 5VI = 5 tier ● 6VI = 6 tier | <ul style="list-style-type: none"> ● 06= 6" ● 09= 9" ● 12=12" (Specials available) | <ul style="list-style-type: none"> ● 03 = 3" ● 06 = 6" ● 09 = 9" ● 12 = 12" | <ul style="list-style-type: none"> ● 144 = 144" ● 120 = 120" |

* Actual tray lengths are 142" and 118" to allow for splice hangers

● Green = Fastest shipped items ● Black = Normal lead-time items ● Red = Normally long lead-time items

Redi-Rail™

Redi-Rail Rung

An "I"-Beam shaped rung provides a great strength-to-weight ratio. Patented fastener hole is designed to provide maximum grip for the fastener threads.



Redi-Rail Rung Fastener

Specially designed and finished rung fastener. Rung pullout tested to over 3000 lbs. Vibration tested for your confidence.

Multi-Functional Pre-Punched Holes

Act as holes for splice plate hardware: allow for field cutting to any length, no field-drilling necessary. Holes also allow rungs to be repositioned. Holes allow for easy attachment of accessory items requiring 1/4" hardware (or smaller).



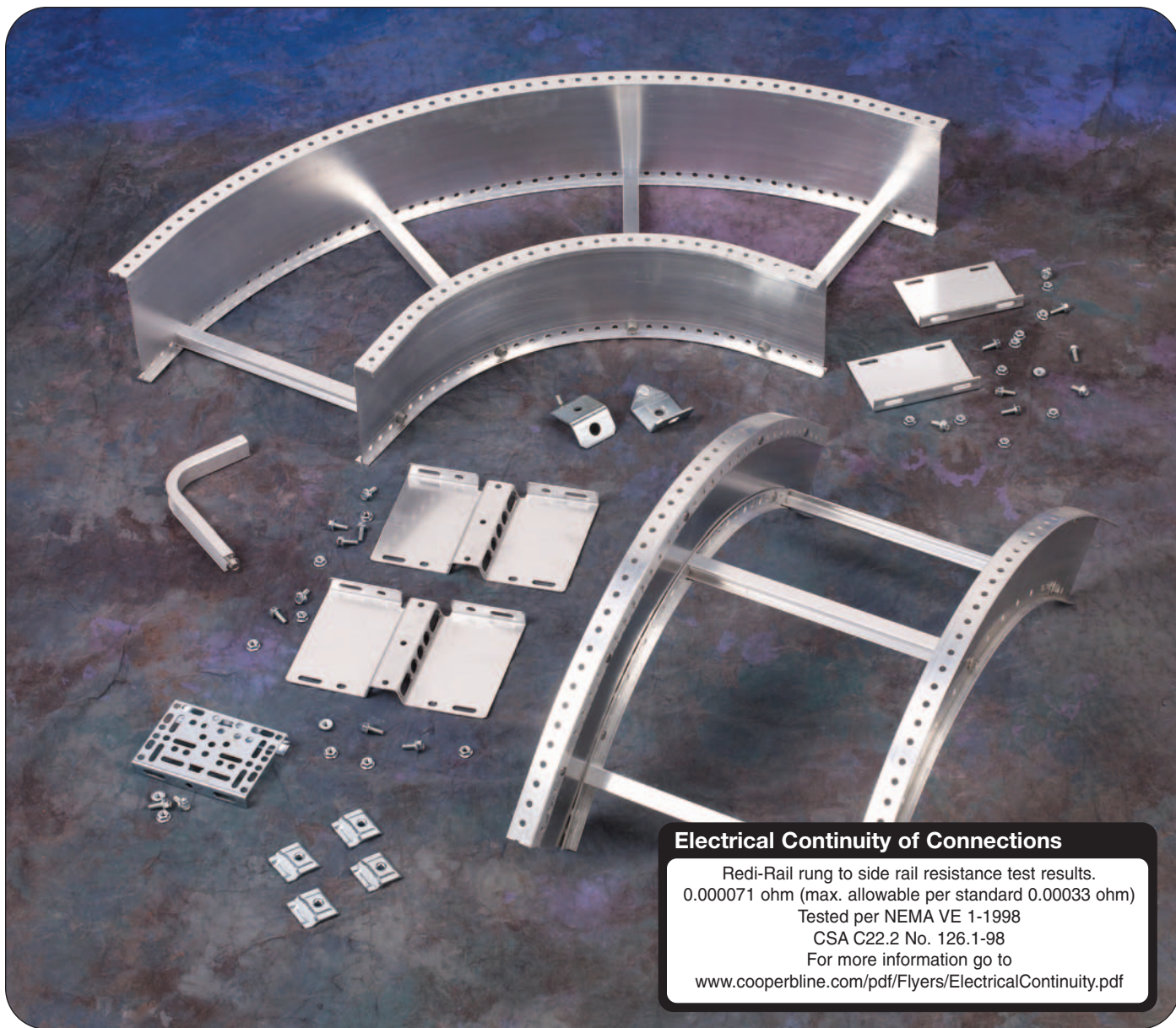
Patent Information

U.S. Patent D361982; 5,580,014

Canada 2,137,879

UK Patent 2,285,343

Other United States and foreign patents are pending.



Electrical Continuity of Connections
 Redi-Rail rung to side rail resistance test results.
 0.000071 ohm (max. allowable per standard 0.00033 ohm)
 Tested per NEMA VE 1-1998
 CSA C22.2 No. 126.1-98
 For more information go to
www.cooperbline.com/pdf/Flyers/ElectricalContinuity.pdf

How The Service Advisor Works

B-Line knows that your time is important! That's why the color-coding system in this catalog is designed to help you select products that fit your service needs. Products are marked to indicate the typical lead time for orders of 50 pieces or less.

Customer: How do I select my straight sections, covers, or fittings so that I get the quickest turnaround?

Service Advisor: Each part of our selection chart is shown in colors. If any section of a part number is a different color, the part will typically ship with the longer lead time represented by the colors.

- Green = Fastest shipped items
- Black = Normal lead-time items
- Red = Normally long lead-time items

Example: H1 6AR 150KO 09 - 12 - 120
 ● ● ● ● ● ●

Part will have a normal lead time because of the 150KO knockout type.

Redi-Rail™ - Straight Sections

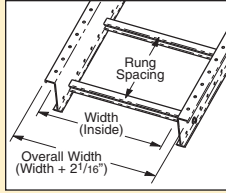
H14A and H15A Straight Sections

Straight Section Part Numbering

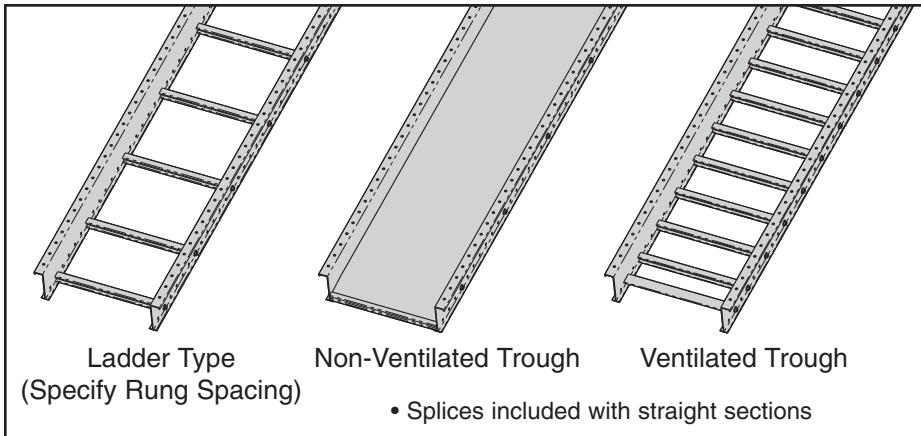
Prefix

Example: **H1 4 A R 075KO 09 - 12 - 120**

| Series | Height | Material | Construction | Knockout Type | Bottom Type | Width | Length |
|--------|----------------------|----------|--------------|---|---|--|--|
| ● H1 | ● 4 = 4" ● 5 = 5" | Aluminum | Redi-Rail | ● Blank = None ● 050KO = 1/2" KO ● 075KO = 3/4" KO ● 100KO = 1" KO | Ladder- ● 06 = 6" rung spacing ● 09 = 9" rung spacing ● 12 = 12" rung spacing Trough- ● 04 = Vented Bottom ● SB = Non-Ventilated Bottom | ● 06 = 6" ● 09 = 9" ● 12 = 12" ● 18 = 18" ● 24 = 24" ● 30 = 30" ● 36 = 36" | ● ①144 = 12 ft. ● ②120 = 10 ft. ①Primary ②Secondary |



Values are based on simple beam tests per VE-1 on 36" wide cable tray with rungs spaced on 12" centers. The published load safety factor is 1.5. To convert 1.5 safety factor to 2.0, multiply the published load by 0.75. To obtain mid-span deflection, multiply a load by the deflection multiplier. Cable tray must be supported on spans shorter than or equal to the length of the tray. These systems will support without collapse a 200 lb. concentrated load.



Redi-Rail with knockouts.

| B-Line Series | Side Rail Dimensions | NEMA, CSA & UL Classifications | Span ft | Load lbs/ft | Deflection Multiplier | Design Factors for Two Rails | Span meters | Load kg/m | Deflection Multiplier | Design Factors for Two Rails |
|---------------|----------------------|---|---------|-------------|-----------------------|------------------------------|-------------|-----------|-----------------------|------------------------------|
| H14A | | NEMA: 12B CSA: D1-3m UL Cross-Sectional Area: 0.60 in ² | 6 | 224 | 0.0015 | Area=0.98 in ² | 1.8 | 333 | 0.025 | Area=6.32 cm ² |
| | | | 8 | 194 | 0.0047 | Sx=0.93 in ³ | 2.4 | 288 | 0.080 | Sx=15.24 cm ³ |
| | | | 10 | 124 | 0.0114 | Ix=1.97 in ⁴ | 3.0 | 184 | 0.195 | Ix=82.00 cm ⁴ |
| | | | 12 | 86 | 0.0237 | | 3.7 | 128 | 0.404 | |

| B-Line Series | Side Rail Dimensions | NEMA, CSA & UL Classifications | Span ft | Load lbs/ft | Deflection Multiplier | Design Factors for Two Rails | Span meters | Load kg/m | Deflection Multiplier | Design Factors for Two Rails |
|---------------|----------------------|---|---------|-------------|-----------------------|------------------------------|-------------|-----------|-----------------------|------------------------------|
| H15A | | NEMA: 12C CSA: D1-3m UL Cross-Sectional Area: 0.60 in ² | 6 | 224 | 0.0008 | Area=1.06 in ² | 1.8 | 333 | 0.025 | Area=6.84 cm ² |
| | | | 8 | 224 | 0.0027 | Sx=1.29 in ³ | 2.4 | 288 | 0.080 | Sx=21.14 cm ³ |
| | | | 10 | 147 | 0.0065 | Ix=3.44 in ⁴ | 3.0 | 219 | 0.195 | Ix=143.18 cm ⁴ |
| | | | 12 | 102 | 0.0136 | | 3.7 | 152 | 0.404 | |

When cable trays are used in continuous spans, the deflection of the cable tray is reduced by as much as 50%. Design factors: Ix = Moment of Inertia, Sx = Section Modulus.

● Green = Fastest shipped items ● Black = Normal lead-time items ● Red = Normally long lead-time items

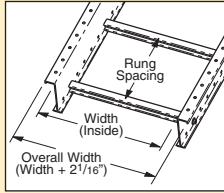
H16A and H17A Straight Sections

Straight Section Part Numbering

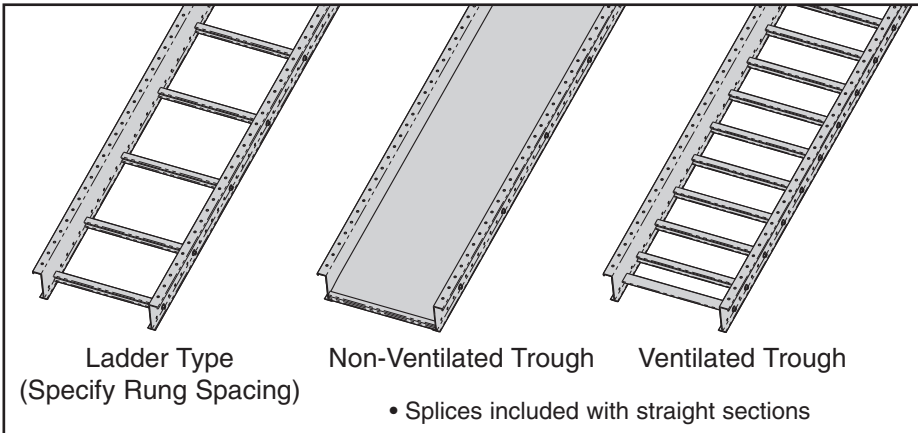
Prefix

Example: **H1 6 A R 150KO 09 - 12 - 120**

| Series | Height | Material | Construction | Knockout Type | Bottom Type | Width | Length |
|--------|----------------------|----------|--------------|---|---|--|--|
| ● H1 | ● 6 = 6" ● 7 = 7" | Aluminum | Redi-Rail | ● Blank = None ● 050KO = 1/2" KO ● 075KO = 3/4" KO ● 100KO = 1" KO ● 125KO = 1 1/4" KO ● 150KO = 1 1/2" KO | Ladder- ● 06 = 6" rung spacing ● 09 = 9" rung spacing ● 12 = 12" rung spacing Trough- ● 04 = Vented Bottom ● SB = Non-Ventilated Bottom | ● 06 = 6" ● 09 = 9" ● 12 = 12" ● 18 = 18" ● 24 = 24" ● 30 = 30" ● 36 = 36" | ● ①144 = 12 ft. ● ②120 = 10 ft. ①Primary ②Secondary |



Values are based on simple beam tests per VE-1 on 36" wide cable tray with rungs spaced on 12" centers. The published load safety factor is 1.5. To convert 1.5 safety factor to 2.0, multiply the published load by 0.75. To obtain mid-span deflection, multiply a load by the deflection multiplier. Cable tray must be supported on spans shorter than or equal to the length of the tray. These systems will support without collapse a 200 lb. concentrated load.



Redi-Rail with knockouts.

| B-Line Series | Side Rail Dimensions | NEMA, CSA & UL Classifications | Span ft | Load lbs/ft | Deflection Multiplier | Design Factors for Two Rails | Span meters | Load kg/m | Deflection Multiplier | Design Factors for Two Rails |
|---------------|----------------------|---|---------|-------------|-----------------------|---|-------------|-----------|-----------------------|--|
| H16A | | NEMA: 12C CSA: D1-3m UL Cross-Sectional Area: 1.00 in ² | 6 | 224 | 0.0005 | Area=1.26 in ² Sx=1.75 in ³ Ix=5.51 in ⁴ | 1.8 | 333 | 0.025 | Area=8.13 cm ² Sx=28.68 cm ³ Ix=229.34 cm ⁴ |
| | | | 8 | 224 | 0.0017 | | 2.4 | 333 | 0.080 | |
| | | | 10 | 164 | 0.0041 | | 3.0 | 244 | 0.195 | |
| | | | 12 | 114 | 0.0085 | | 3.7 | 170 | 0.404 | |

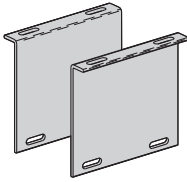
| B-Line Series | Side Rail Dimensions | NEMA, CSA & UL Classifications | Span ft | Load lbs/ft | Deflection Multiplier | Design Factors for Two Rails | Span meters | Load kg/m | Deflection Multiplier | Design Factors for Two Rails |
|---------------|----------------------|---|---------|-------------|-----------------------|---|-------------|-----------|-----------------------|--|
| H17A | | NEMA: 12C CSA: D1-3m UL Cross-Sectional Area: 1.00 in ² | 6 | 224 | 0.0004 | Area=1.41 in ² Sx=2.24 in ³ Ix=8.18 in ⁴ | 1.8 | 333 | 0.025 | Area=9.10 cm ² Sx=36.71 cm ³ Ix=340.89 cm ⁴ |
| | | | 8 | 224 | 0.0011 | | 2.4 | 333 | 0.080 | |
| | | | 10 | 144 | 0.0027 | | 3.0 | 214 | 0.195 | |
| | | | 12 | 100 | 0.0057 | | 3.7 | 149 | 0.404 | |

When cable trays are used in continuous spans, the deflection of the cable tray is reduced by as much as 50%. Design factors: Ix = Moment of Inertia, Sx = Section Modulus.

● Green = Fastest shipped items ● Black = Normal lead-time items ● Red = Normally long lead-time items

Standard Splice Plates

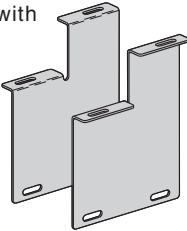
- Furnished in pairs with 1/4" hardware.
- UL Classified.
- One pair including hardware provided with each straight section.



| Tray Series | Catalog No. |
|-------------|-------------|
| H14A | ● 9A-R004 |
| H15A | ● 9A-R005 |
| H16A | ● 9A-R006 |
| H17A | ● 9A-R007 |

Step Down Splice Plates

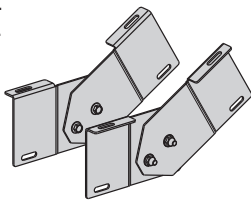
- Furnished in pairs with 1/4" hardware.
- UL Classified.



| Tray Series | Catalog No. |
|--------------|-------------|
| H15A to H14A | ● 9A-R045 |
| H16A to H14A | ● 9A-R046 |
| H17A to H14A | ● 9A-R047 |
| H16A to H15A | ● 9A-R060 |
| H17A to H15A | ● 9A-R061 |
| H17A to H16A | ● 9A-R062 |

Vertical Adjustable Splice Plates

- Furnished in pairs with 1/4" hardware.
- UL Classified.

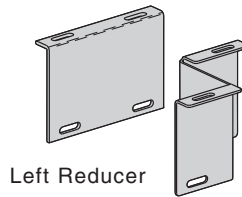
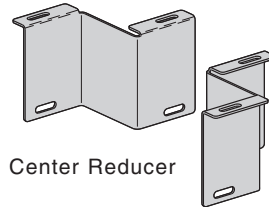
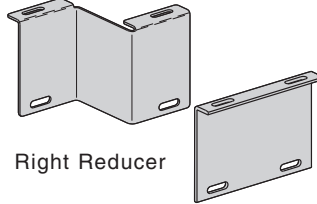


Requires supports within 24" on both sides, per NEMA VE 2.

| Tray Series | Catalog No. |
|-------------|-------------|
| H14A | ● 9A-R024 |
| H15A | ● 9A-R025 |
| H16A | ● 9A-R026 |
| H17A | ● 9A-R027 |

Offset Reducing Splice Plates

- Furnished in pairs with 1/4" hardware.
- UL Classified.

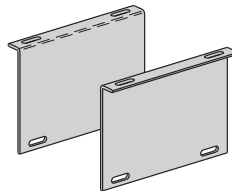


| Tray Series | Catalog No. |
|-------------|--------------|
| H14A | ● 9A-R064-†r |
| H15A | ● 9A-R065-†r |
| H16A | ● 9A-R066-†r |
| H17A | ● 9A-R067-†r |

r = reduction
 † Specify L = left reducer
 C = center reducer
 R = right reducer

Expansion Splice Plates

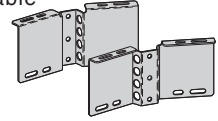
- Furnished in pairs with 1/4" hardware.
- Bonding jumper required.



| Tray Series | Catalog No. |
|-------------|-------------|
| H14A | ● 9A-R014 |
| H15A | ● 9A-R015 |
| H16A | ● 9A-R016 |
| H17A | ● 9A-R017 |

Flex-Mount Adjustable Splice Plates

- Furnished in pairs with 1/4" hardware.
- Horizontally adjustable to 90°.
- Vertically adjustable to 15°.
- UL Classified.
- For optional rung, see page 187.

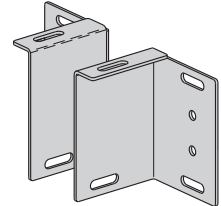


Requires supports within 24" on both sides, per NEMA VE 2.

| Tray Series | Catalog No. |
|-------------|-------------|
| H14A | ● 9A-R034 |
| H15A | ● 9A-R035 |
| H16A | ● 9A-R036 |
| H17A | ● 9A-R037 |

Tray To Box Splice Plates

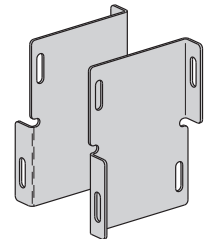
- Furnished in pairs with 1/4" hardware.
- UL Classified.



| Tray Series | Catalog No. |
|-------------|-------------|
| H14A | ● 9A-R054 |
| H15A | ● 9A-R055 |
| H16A | ● 9A-R056 |
| H17A | ● 9A-R057 |

Reversing Splice Plates

- Furnished in pairs with 1/4" hardware.
- UL Classified.

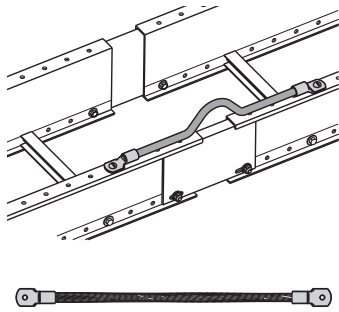


| Tray Series | Catalog No. |
|-------------|-------------|
| H14A | ● 9A-R964 |
| H15A | ● 9A-R965 |
| H16A | ● 9A-R966 |
| H17A | ● 9A-R967 |

● Green = Fastest shipped items ● Black = Normal lead-time items ● Red = Normally long lead-time items

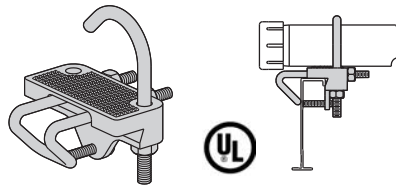
Bonding Jumper

- Furnished with 1/4" hardware.
- UL Classified.



| Ampacity | Catalog No. |
|----------|-------------|
| 1200 | ● 99-30 |

Conduit to Tray Adaptors



| Conduit Size | | Catalog No. |
|--------------|---------|--------------------|
| in | mm | |
| 1/2, 3/4 | 15, 20 | ● 9G-1158-1/2, 3/4 |
| 1, 1 1/4 | 25, 32 | ● 9G-1158-1, 1 1/4 |
| 1 1/2, 2 | 40, 50 | ● 9G-1158-1 1/2, 2 |
| 2 1/2, 3 | 65, 80 | ● 9G-1158-2 1/2, 3 |
| 3 1/2, 4 | 90, 100 | ● 9G-1158-3 1/2, 4 |

Conduit to Tray Adaptors

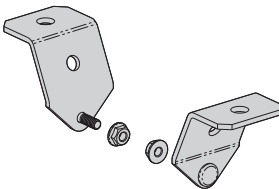
- Mounting hardware not included.



| Conduit Size | Catalog No. |
|--------------|-------------|
| 1/2 | ● BL1400 |
| 3/4 | ● BL1410 |
| 1 | ● BL1420 |
| 1 1/2 | ● BL1430 |

Hanger Rod Bracket

- Furnished as pair of studded clamps with 1/4" serrated flanged lock nuts.
- Loading is 1,000 lbs. (4.45kN) per pair with safety factor of 3.
- Position ATR 3" (76mm) wider than cable tray.

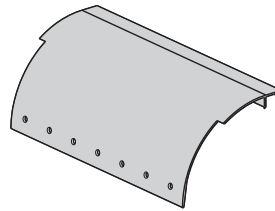


| Support ATR Size | Catalog No. |
|------------------|-------------|
| 3/8" | ● 9(*)-R238 |
| 1/2" | ● 9(*)-R250 |

(*) Insert ZN or SS

Drop-Out

- Provides 4" (101mm) radius.
- Holes provided to secure cables.

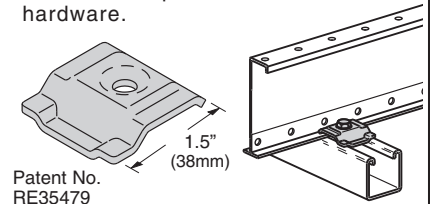


| | |
|-------------|-------------|
| Catalog No. | ● 9A-R104-† |
|-------------|-------------|

† = tray width

Redi-Rail™ Clamp/Guide

- Features a no-twist design.
- Has four times the strength of the traditional design.
- Each side is labeled to ensure proper installation.
- Designed for 1/4" hardware.
- Furnished in pairs with or without hardware.

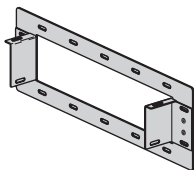


Patent No. RE35479

| Catalog No. |
|-------------------------------|
| ● 9ZN-1204 (without hardware) |
| ● 9ZN-1204NB (with hardware) |

Frame Type Box Connector

- Furnished with 1/4" hardware for tray connection.

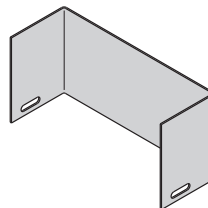


| Tray Series | Catalog No. |
|-------------|-------------|
| H14A | ● 9A-R074-† |
| H15A | ● 9A-R075-† |
| H16A | ● 9A-R076-† |
| H17A | ● 9A-R077-† |

† = tray width

Blind End

- Furnished as one plate with 1/4" hardware.

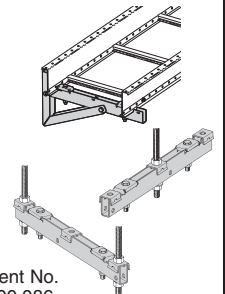


| Tray Series | Catalog No. |
|-------------|-------------|
| H14A | ● 9A-R084-† |
| H15A | ● 9A-R085-† |
| H16A | ● 9A-R086-† |
| H17A | ● 9A-R087-† |

† = tray width

Support Bracket

- Designed for center hung or trapeze supports.
- Load capacity is 600 lbs. (2.67kN) with safety factor of 3.
- All components are zinc plated.



Patent No. 5,100,086

| Catalog No. | | For Tray Width | |
|------------------------|---------------|----------------|------|
| Center Hung or Trapeze | Wall Mount | in | (mm) |
| ● 9ZN-5106 | ● 9ZN-5106-WB | 6 | 152 |
| ● 9ZN-5109 | ● 9ZN-5109-WB | 9 | 226 |
| ● 9ZN-5112 | ● 9ZN-5112-WB | 12 | 305 |
| ● 9ZN-5118 | ● 9ZN-5118-WB | 18 | 452 |
| ● 9ZN-5124 | ● 9ZN-5124-WB | 24 | 609 |

● Green = Fastest shipped items

● Black = Normal lead-time items

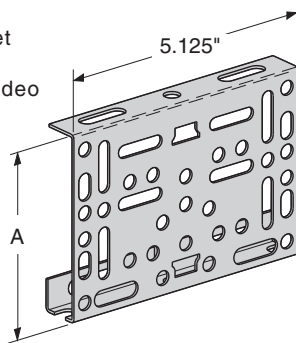
● Red = Normally long lead-time items

Redi-Rail™ - Accessories

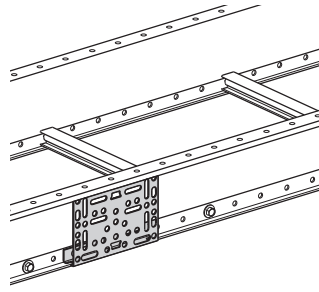
Redi-Rail

Mounting Bracket

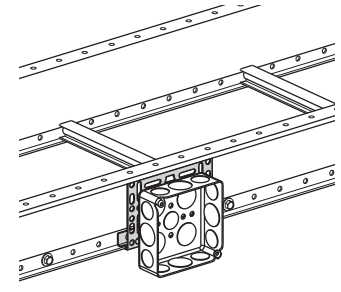
- Furnished with 1/4" hardware.
- #12-24 U-Nuts sold separately.
- Attaches to Redi-Rail in over 20 positions.
- EIA/TIA panel mounting holes - both sides.
- Mounting holes for NEMA outlet/junction boxes.
- Zinc plated steel.
- Includes mounting screws.
- Inside flange application bracket must match side rail height.
- See page 188 for Voice/Data/Video and Power Options.



Inside Side Rail Flange Application

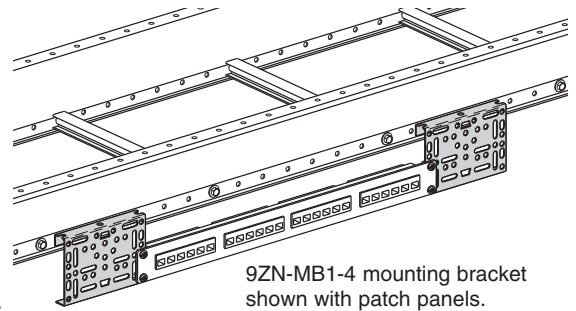


9ZN-MB1-4 mounting bracket shown.



9ZN-MB1-4 mounting bracket shown with 4" electrical box.

Outside Side Rail Flange Application



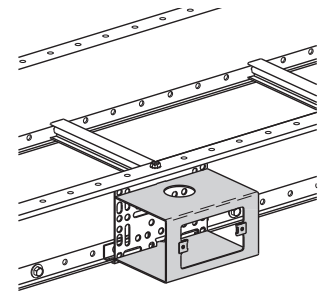
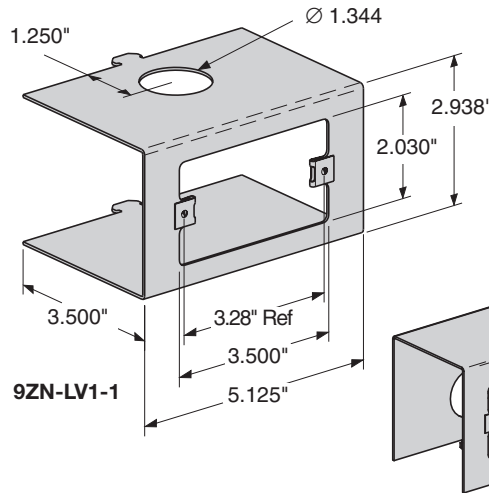
9ZN-MB1-4 mounting bracket shown with patch panels.

| Catalog No. | Inside Flange Application | Outside Flange Application | A | |
|-------------|---------------------------|----------------------------|-------------------------------|------|
| | | | in | (mm) |
| ● 9ZN-MB1-4 | 4" for H14AR | 4" or 5" as desired | 3 ⁵ / ₈ | 92 |
| ● 9ZN-MB1-5 | 5" for H15AR | 4" or 5" as desired | 4 ⁵ / ₈ | 117 |

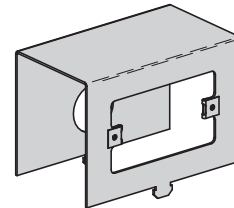
See www.cooperline.com/product/cabletray/bracket.asp for mounting options.

Low Voltage Adapter

- Mounting for low voltage wall plates.
- Snaps into mounting bracket 9ZN-MB1-4 or 9ZN-MB1-5.
- Zinc plated steel.
- #6 - 32 U-nuts included.
- See page 188 for Voice/Data/Video and Power Options.



9ZN-LV1-1 shown

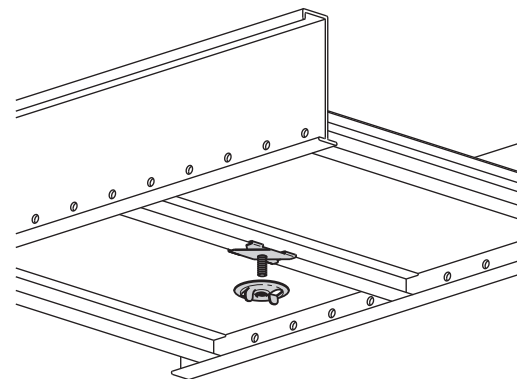
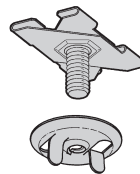


9ZN-LV1A-1

| Catalog No. |
|---------------------------------|
| ● 9ZN-LV1-1 (cutout on front) |
| ● 9ZN-LV1A-1 (cutout on bottom) |

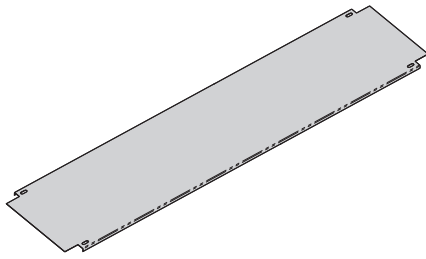
Under Rung Fastener Attachment

- Supports electrical fixtures from bottom of rung or siderails.
- Wing nut included.
- Various 1/4"-20 stud lengths available.
- Static Load Capacity: 75 Lbs. (34kg).



| Catalog No. | Stud Length |
|---------------|---------------|
| ● BAX-4-16 | 5/8" (16mm) |
| ● BAX-4-16-24 | 1 1/2" (38mm) |
| ● BAX-4-16-32 | 2" (51mm) |
| ● BAX-4-16-48 | 3" (76mm) |

● Green = Fastest shipped items ● Black = Normal lead-time items ● Red = Normally long lead-time items



Covers for H14A, H15A, H16A, and H17A

- Corners notched for splice hardware clearance.
- Slots provided for easy attachment (hardware **not** included).
- Over-lap seam designed - fittings only.

Aluminum Cover Part Numbering

Example: **88 7 A 40 - 12 - 72**

| Cover Type | Detail | Material | Material Thickness | Tray Width | Item Description |
|--------------|---------------|------------|--------------------|--|---|
| ● 88 = Solid | ● 7 = Flanged | ● Aluminum | ● 40 = .040 | ● 06 = 6" ● 09 = 9" ● 12 = 12" ● 18 = 18" ● 24 = 24" ● 30 = 30" ● 36 = 36" | For Straight Section Cover: ● 144 = 12 ft. ● 120 = 10 ft. ● 72 = 6 ft. ● 60 = 5 ft. |

Note: For ventilated covers add a "V" suffix to cover part number.
Example: 887A40-12-72V

For fitting covers: Insert suffix of fitting to be covered.
See example below.

Examples of Catalog Numbers for Fitting Covers:

| Horizontal Bend Cover | Vertical Inside & Outside Bend Cover | Horizontal Expanding Cross Cover |
|---|---|---|
| Prefix: 88 7 A 40 - 18 - 90 Suffix: HB 24 Radius, Fitting Angle, Width, Material Thickness, Material Detail, Cover Type | Prefix: 88 7 A 40 - 24 - 90 Suffix: V* 24 - 4 Side Rail Height, Radius, Fitting Angle, Width, Material Thickness, Material Detail, Cover Type | Prefix: 88 7 A 40 - 12 - 24 - HX Suffix: 24 Radius, Fitting Width ² , Width ¹ , Material Thickness, Material Detail, Cover Type |

* Insert I for Inside or O for Outside Bend

Standard Cover Clamp

- Setscrew included.
- Sold each.

| Tray Type | Side Rail Height | Catalog No. |
|-----------|------------------|-------------|
| Aluminum | All Sizes | ● 9ZN-9012 |
| | | ● 9A-9012 |

Heavy Duty Cover Clamp

- For heavy duty application.
- Sold per piece.

| Tray Series | Catalog No. |
|-------------|-------------|
| H14A | ● 9A-†-R044 |
| H15A | ● 9A-†-R054 |
| H16A | ● 9A-†-R064 |
| H17A | ● 9A-†-R074 |

† = tray width

Cover Attachment Hardware

- 4 Pack of 1/4" - 20 nuts and 1/4" - 20 x 5/8" bolts.

| Catalog No. | ● 9ZN-1420NB |
|-------------|--------------|
|-------------|--------------|

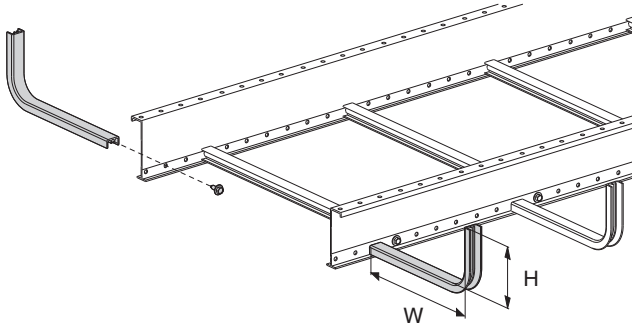
● Green = Fastest shipped items ● Black = Normal lead-time items ● Red = Normally long lead-time items

Redi-Rail™ - Accessories

Redi-Rail

Out Board Rungs

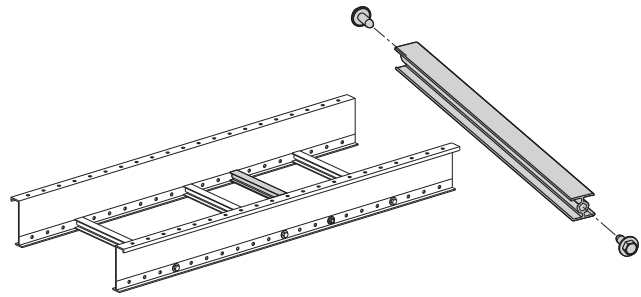
- Formed aluminum rung with attachment screw.
- Field installs as required.
- Torque rung fasteners to 6 ft/lbs.
- See page 188 for Voice/Data/Video and Power Options.
- Uniform load capacity on rung: 10 lbs.



| Catalog No. | Fill Depth 'H' | | For Tray Width 'W' | |
|-------------|----------------|------|--------------------|------|
| | in | (mm) | in | (mm) |
| ● 9A-SR0406 | 4 | 101 | 6 | 152 |
| ● 9A-SR0409 | 4 | 101 | 9 | 226 |
| ● 9A-SR0506 | 5 | 127 | 6 | 152 |
| ● 9A-SR0509 | 5 | 127 | 9 | 226 |

Add-A- Rung Kit

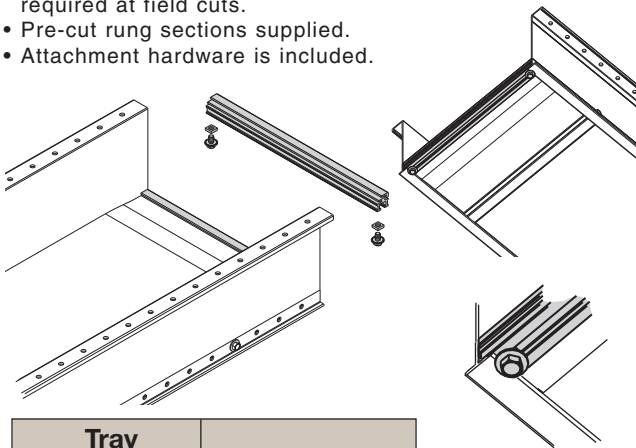
- Kit allows an additional rung to be added to a desired location throughout the tray system.
- Pre-cut rung sections supplied.
- Attachment hardware is included.
- Torque rung fasteners to 18 ft/lbs.



| Tray Width | | Catalog No. |
|------------|------|-------------|
| in | (mm) | |
| 6 | 152 | ● 9A-R06RK |
| 9 | 226 | ● 9A-R09RK |
| 12 | 305 | ● 9A-R12RK |
| 18 | 452 | ● 9A-R18RK |
| 24 | 609 | ● 9A-R24RK |
| 30 | 762 | ● 9A-R30RK |
| 36 | 914 | ● 9A-R36RK |

End Rung Kit For Solid Bottom

- Special rung captures solid bottom plate when required at field cuts.
- Pre-cut rung sections supplied.
- Attachment hardware is included.

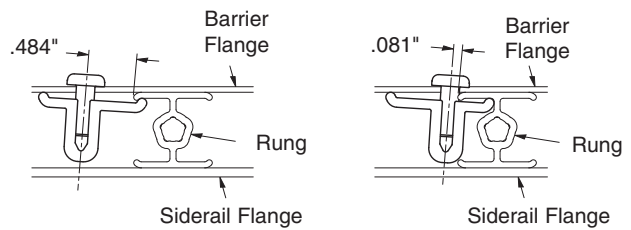
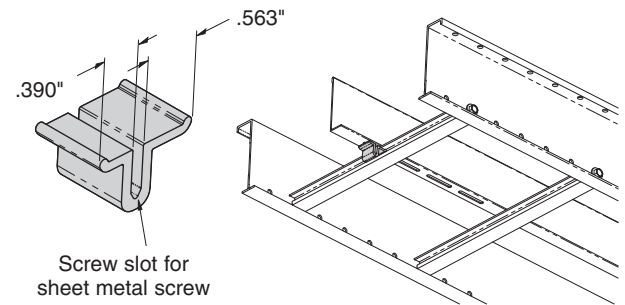


| Tray Width | | Catalog No. |
|------------|------|---------------|
| in | (mm) | |
| 6 | 152 | ● 9A-R06SBERK |
| 9 | 226 | ● 9A-R09SBERK |
| 12 | 305 | ● 9A-R12SBERK |
| 18 | 452 | ● 9A-R18SBERK |
| 24 | 609 | ● 9A-R24SBERK |
| 30 | 762 | ● 9A-R30SBERK |
| 36 | 914 | ● 9A-R36SBERK |

Barrier Strip Clip

- Provides attachment to Redi-Rail rung.
- Allows for installed barrier adjustment.
- Asymmetrical clip provides a wide range for screw location.
- Barriers strip clips and hardware are included with all barriers.

Catalog No. ● 9A-RBC



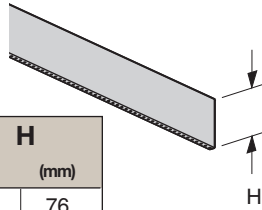
Maximum Distance
Long leg adjacent to rung
fully extended

Minimum Distance
Short leg adjacent to rung
fully extended

● Green = Fastest shipped items ● Black = Normal lead-time items ● Red = Normally long lead-time items

Straight Section Barrier Strip

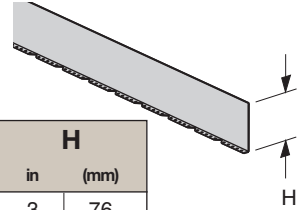
- Furnished with four (4) barrier strip clips, mounting hardware and splice.
- Standard lengths are 144" (12 ft) & 120" (10 ft).



| Tray Series | Catalog No. | H | |
|-------------|---------------|----|------|
| | | in | (mm) |
| H14A | ● 73AR-Length | 3 | 76 |
| H15A | ● 74AR-Length | 4 | 101 |
| H16A | ● 75AR-Length | 5 | 127 |
| H17A | ● 76AR-Length | 6 | 152 |

Horizontal Bend Barrier Strip

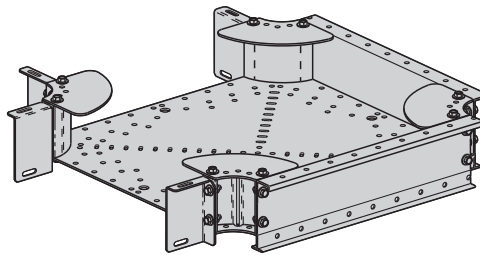
- Kit allows an additional rung to be added to a desired location throughout the tray system.
- Pre-cut rung sections supplied.
- Attachment hardware is included.
- Torque rung fasteners to 18 ft/lbs.



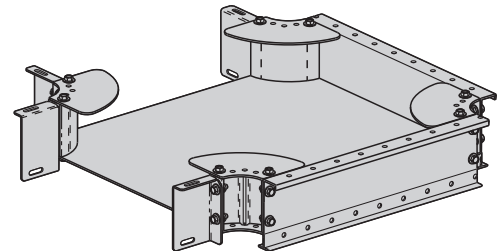
| Tray Series | Catalog No. | H | |
|-------------|---------------|----|------|
| | | in | (mm) |
| H14A | ● 73AR-90HBFL | 3 | 76 |
| H15A | ● 74AR-90HBFL | 4 | 101 |
| H16A | ● 75AR-90HBFL | 5 | 127 |
| H17A | ● 76AR-90HBFL | 6 | 152 |

Universal Fitting

- Aluminum construction.
- 3" smooth radius.
- UL Classified.
- Shipped as a 90° horizontal bend.
- Field modify to create a tee or cross.
- Includes four pairs of splice plates.
- Accommodates Rail-Riser™.
- Patent Pending.



Punched Bottom



Solid Bottom

| Tray Series | Catalog No. | |
|-------------|-------------|--------------|
| | Punched | Solid |
| H14A | ● UR3A-(†) | ● UR3ASB-(†) |
| H15A | ● UR4A-(†) | ● UR4ASB-(†) |
| H16A | ● UR5A-(†) | ● UR5ASB-(†) |
| H17A | ● UR6A-(†) | ● UR6ASB-(†) |

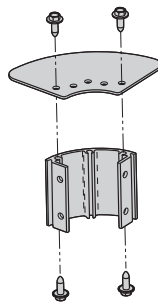
(†) Insert Tray Width 6" to 24"

Covers: Cover catalog number is UA-†-C where †=tray width.

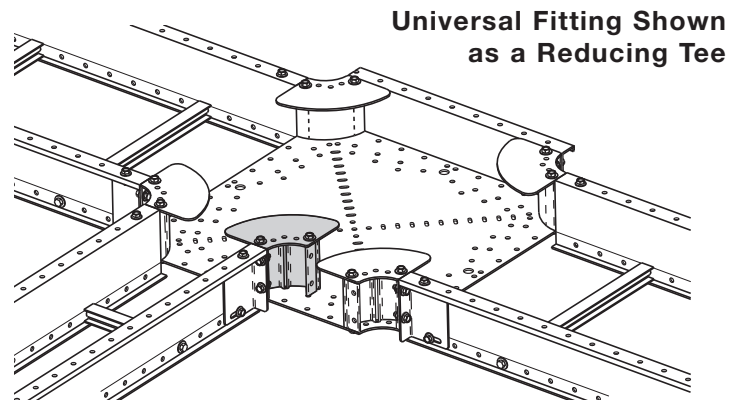
Example: UA-12-C is a cover for UR4A-12 universal fitting shipped with attachment screws.

Corner Post For Universal Fitting

- Use to create reducing fittings.
- Furnished with hardware.
- 3" inside radius.
- UL Classified.



| Loading Depth | Catalog No. |
|---------------|-------------|
| 3" | ● U3A-CP |
| 4" | ● U4A-CP |
| 5" | ● U5A-CP |
| 6" | ● U6A-CP |



Universal Fitting Shown as a Reducing Tee

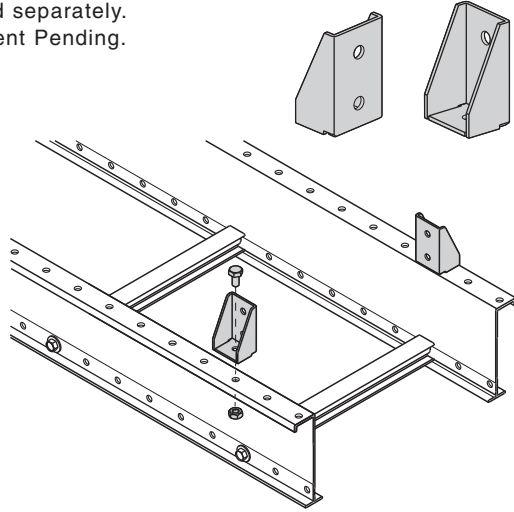
● Green = Fastest shipped items ● Black = Normal lead-time items ● Red = Normally long lead-time items

Redi-Rail™ - Accessories

Redi-Rail

Rail-Riser™ For Redi-Rail™ Cable Support Systems

- Provides expansion capabilities for existing systems where additional cable fill area is required.
- Increases fill-depth by two inches.
- Recommended installation frequency: two required every three feet, depending on cable density.
- Provides controlled cable exit locations.
- Does not interfere with cable fill area.
- Comes complete with necessary mounting hardware.
- Zinc plated.
- Sold separately.
- Patent Pending.



Catalog No. ● 9ZN-RR2RR

Vertical Bend Barrier Strip

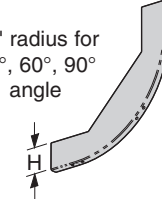
- Furnished with three (3) barrier strip clips, mounting hardware and splice.

Inside Bend (VI)

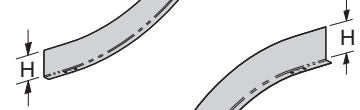
12" radius for 30° angle



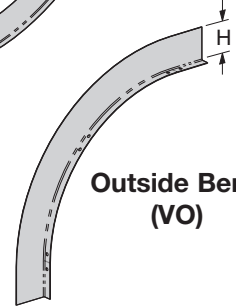
12" radius for 45°, 60°, 90° angle



24" radius for all standard angles



Outside Bend (VO)

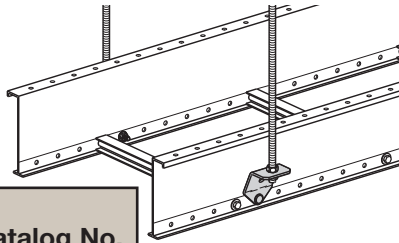


| Tray Series | Catalog No. | | H | |
|-------------|------------------|------------------|----|------|
| | Inside Bend | Outside Bend | in | (mm) |
| H14A | ● 73AR-(**)VI(t) | ● 73AR-(**)VO(t) | 3 | 76 |
| H15A | ● 74AR-(**)VI(t) | ● 74AR-(**)VO(t) | 4 | 101 |
| H16A | ● 75AR-(**)VI(t) | ● 75AR-(**)VO(t) | 5 | 127 |
| H17A | ● 76AR-(**)VI(t) | ● 76AR-(**)VO(t) | 6 | 152 |

(**) Insert 30°, 45°, 60°, 90° for angles
(t) Insert 12, 24 for radius

Hanger Rod Bracket

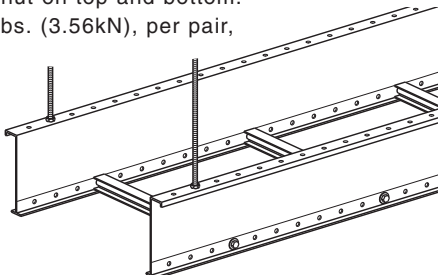
- Studded bracket bolts to Redi-Rail™ holes.
- For 3/8" ATR.
- Loading is 1,000 lbs. (4.45kN), per pair, safety factor 3.
- Position ATR 3" wider than cable tray width.



| Support ATR Size | Catalog No. |
|------------------|-------------|
| 3/8" | ● 9(*)-R238 |
| 1/2" | ● 9(*)-R250 |

(*) Insert ZN or SS

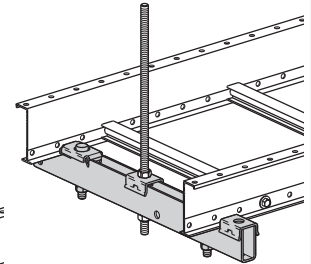
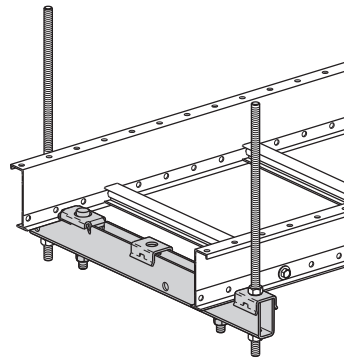
- 1/4" ATR through Redi-Rail™ holes on top flange. Hex nut on top and bottom.
- Loading is 800 lbs. (3.56kN), per pair, safety factor 3.



- Position ATR 1" wider than cable tray width.

Center Hung Trapeze

- Designed for 1/2" and 3/8" ATR.
- Loading is 600 lbs. (2.67kN), safety factor 3.
- Zinc plated.



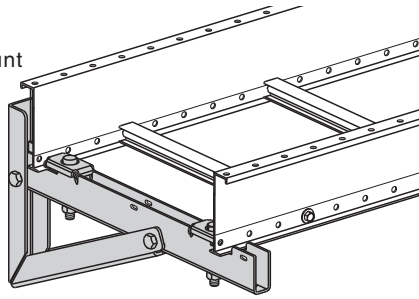
Pre-assembled hanger system that can be used as a trapeze or a center hung support.

| Catalog No. | For Tray Width | |
|-------------|----------------|------|
| | in | (mm) |
| ● 9ZN-5106 | 6 | 152 |
| ● 9ZN-5109 | 9 | 226 |
| ● 9ZN-5112 | 12 | 305 |
| ● 9ZN-5118 | 18 | 452 |
| ● 9ZN-5124 | 24 | 609 |

● Green = Fastest shipped items ● Black = Normal lead-time items ● Red = Normally long lead-time items

Wall-Mount Assembly

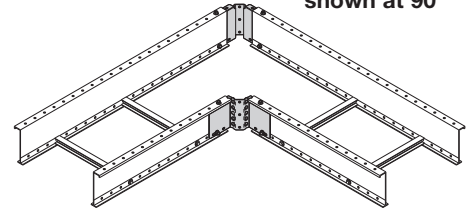
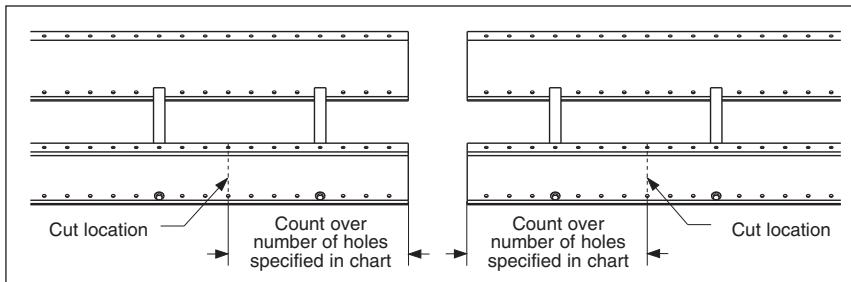
- Pre-assembled wall-mount hanger system.
- Load capacity is 600 lbs. (272.1 kg) safety factor of 3.



| Catalog No. | For Tray Width | |
|---------------|----------------|------|
| | in | (mm) |
| ● 9ZN-5106-WB | 6 | 152 |
| ● 9ZN-5109-WB | 9 | 226 |
| ● 9ZN-5112-WB | 12 | 305 |
| ● 9ZN-5118-WB | 18 | 452 |
| ● 9ZN-5124-WB | 24 | 609 |

How to miter cut Redi-Rail™ cable tray for use with flex-mount splice plates.

H15AR09-12-144 shown at 90°



H15AR09-12-144 Straight Section shown with required side rail removed to form 90° fitting.

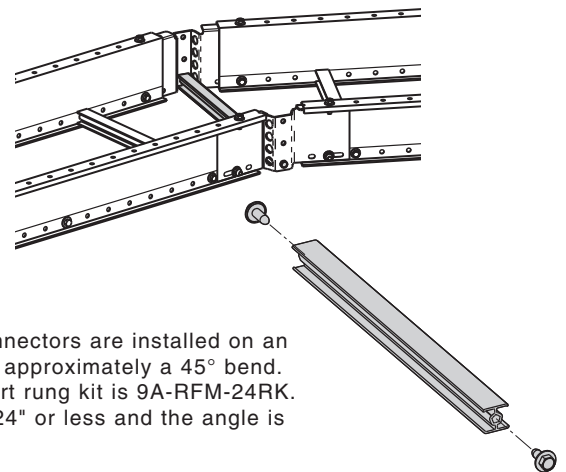
Example: For a 12" wide 90° bend, the cuts must be made through the eighth hole from the end.

- Mark desired hole/cut locations per chart.
- Remove any rungs (if necessary) affected by cuts.
- Cut side rails through center of required holes per chart.
- Mount outside flex-mount splice plate with provided hardware and bend Redi-Rail sections to desired angle.
- Form inside flex-mount splice plate to fit contour of inner rails and bolt into place.
- Reinstall (if necessary) appropriate rungs. Torque to 18 ft./lbs.
- If Splice Rung Kit (see below) is required, order separately.
- Recommend adding one to the value in the chart if the first hole is less than 3/8" from the end of tray.

| Tray Width | Number Of Holes For Desired Angle | | | | Angle Adjustment Allowed |
|------------|-----------------------------------|-----|-----|-----|--------------------------|
| | 30° | 45° | 60° | 90° | |
| 6 | 1 | 2 | 2 | 4 | ± 14.5 |
| 9 | 2 | 2 | 3 | 6 | ± 9.7 |
| 12 | 2 | 3 | 4 | 8 | ± 7.3 |
| 18 | 3 | 5 | 7 | 11 | ± 4.9 |
| 24 | 4 | 6 | 9 | 15 | ± 3.6 |
| 30 | 5 | 8 | 11 | 19 | ± 2.9 |
| 36 | 6 | 10 | 13 | 23 | ± 2.4 |

Flex-Mount Splice Rung Kit

- Kit allows a support rung to be added to flex-mount splice plates so that cables may be supported through a bend.
- The support rung is available in three lengths and should be ordered based upon tray width.
- The rung length is sized so that it will fit a maximum tray width when flex-mount splices are used to make a bend up to 90°.
- Once the flex-mount splices are installed in the cable tray system, the distance between the splice mounting surfaces should be measured. Cut support rung to the measured distance and install using the hardware included. Torque to 18 ft./lbs.

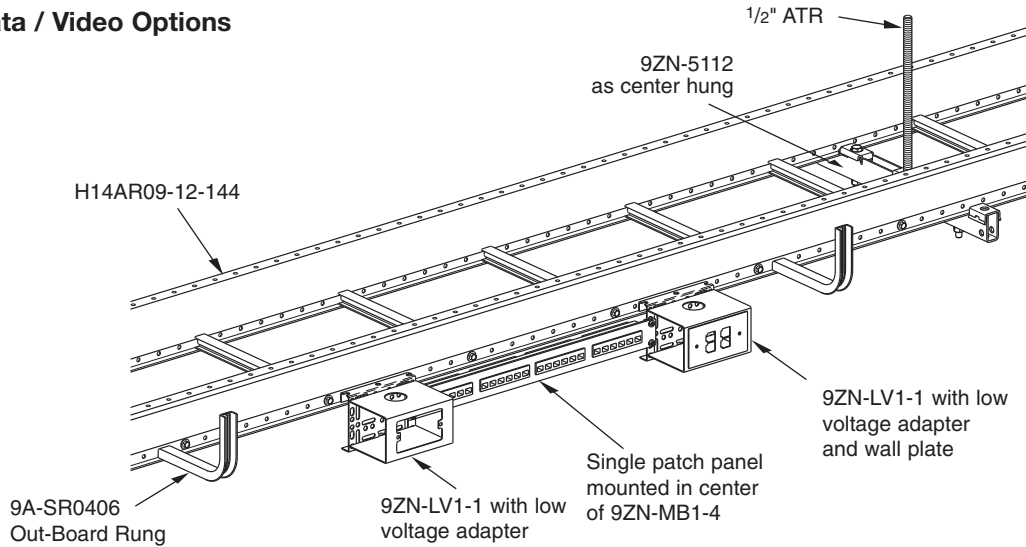


| For Tray Width | Catalog No. | Actual Rung Length |
|----------------|---------------|--------------------|
| Up to 12" | ● 9A-RFM-12RK | 20" |
| 18" & 24" | ● 9A-RFM-24RK | 37" |
| 30" & 36" | ● 9A-RFM-36RK | 54" |

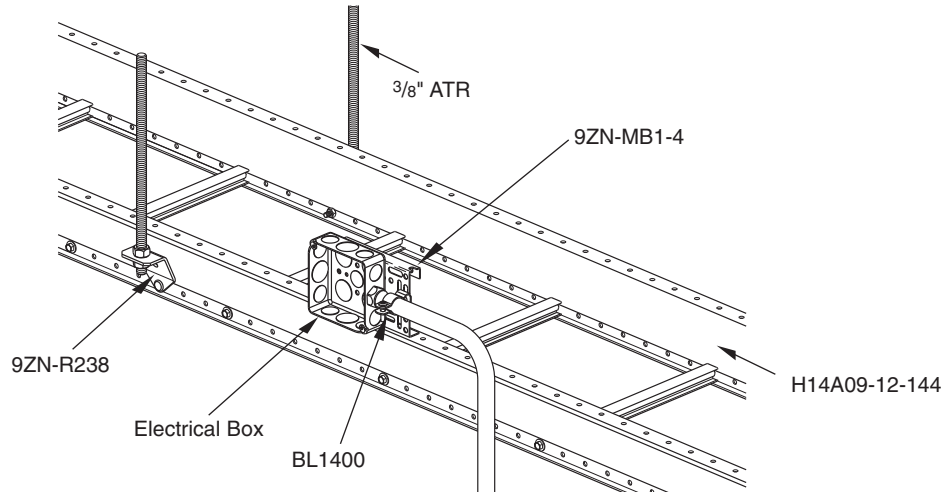
Example: Flex connectors are installed on an 18" wide tray with approximately a 45° bend. The correct support rung kit is 9A-RFM-24RK. The tray width is 24" or less and the angle is less than 90°.

● Green = Fastest shipped items ● Black = Normal lead-time items ● Red = Normally long lead-time items

Voice / Data / Video Options



Power Options



Data Cables

The National Electrical Code allows for 50% fill of ventilated cable tray for control or signal wiring (Article 392-9(b)). This rule requires that all the individual cable cross-sectional areas added up may not exceed one half the cable tray area. The cable tray area is equal to the width times the load depth.

In actual practice with data cables, however, the cable tray becomes completely full in reaching the "50% cable fill". See the picture below. The tray is completely full, but the sum of the cable areas is only 50% of the tray area, due to the empty spaces between the cables.

Data Cable Fill and Weight Chart

Number of Category 5/5e/6 Cables and Calculated Cable Weight in Lbs/Ft



"50%" Fill Per NEC
Cross Sectional Area
Calculation

| Tray Depth in mm | Tray Width | | | | | | | | | | | | | | | |
|---------------------|------------|--------|--------|--------|--------|--------|--------|--------|--------|--------|--------|--------|--------|--------|----|--|
| | 6" | | 9" | | 12" | | 18" | | 24" | | 30" | | 36" | | | |
| | Cables | lbs/ft | Cables | lbs/ft | Cables | lbs/ft | Cables | lbs/ft | Cables | lbs/ft | Cables | lbs/ft | Cables | lbs/ft | | |
| 3" | 76 | 260 | 7 | 390 | 10 | 520 | 14 | 780 | 21 | 1040 | 26 | 1299 | 32 | 1559 | 41 | |
| 4" | 101 | 347 | 9 | 520 | 13 | 693 | 18 | 1040 | 27 | 1386 | 35 | 1733 | 43 | 2079 | 54 | |
| 5" | 127 | 433 | 12 | 650 | 17 | 866 | 23 | 1299 | 34 | 1733 | 43 | 2166 | 53 | 2599 | 68 | |
| 6" | 152 | 520 | 14 | 780 | 20 | 1040 | 27 | 1559 | 41 | 2079 | 52 | 2599 | 64 | 3119 | 81 | |

This chart was based on 50% fill of 4 UTP Category 5, 5e, or 6 cables (O.D. = .21" .026 lbs/ft). In the above loading grid, the weight of the cables is not the issue. The volume capacity of the tray governs. For example, the worst case (6" load depth, 36" wide) has a total cable weight of 81 lbs/ft.

● Green = Fastest shipped items ● Black = Normal lead-time items ● Red = Normally long lead-time items

Section 161xx - Redi-Rail™ Cable Tray

Part 1 - General

1.01 Section Includes

- A. The work covered under this section consists of the furnishing of all necessary labor, supervision, materials, equipment, tests and services to install complete cable tray systems as shown on the drawings.
- B. Cable tray systems are defined to include, but are not limited to straight sections of [ladder type] [vented bottom type] [solid bottom type] cable trays, bends, tees, elbows, drop-outs, supports and accessories.

1.02 References

- A. ANSI/NFPA 70 - National Electrical Code
- B. NEMA VE 1-1998 - Metallic Cable Tray Systems
- C. NEMA VE 2-2000 - Cable Tray installation Guidelines

1.03 Drawings

- A. The drawings, which constitute a part of these specifications, indicate the general route of the cable tray systems. Data presented on these drawings are as accurate as preliminary surveys and planning can determine until final equipment selection is made. Accuracy is not guaranteed and field verification, of all dimensions, routing, etc., is directed.
- B. Specifications and drawings are for assistance and guidance, but exact routing, locations, distances and levels will be governed by actual field conditions. Contractor is directed to make field surveys as part of his work prior to submitting system layout drawings.

1.04 Submittals

- A. Submittal Drawings: Submit drawings of cable tray and accessories including clamps, brackets, hanger rods, splice plate connectors, expansion joint assemblies, and fittings, showing accurately scaled components.
- B. Product Data: Submit manufacturer's data on cable tray including, but not limited to, types, materials, finishes, rung spacings, inside depths and fitting radii. For side rails and rungs, submit cross sectional properties including Section Modulus (Sx) and Moment of Inertia (Ix).

1.05 Quality Assurance

- A. Manufacturers: Firms regularly engaged in manufacture of cable trays and fittings of types and capacities required, whose products have been in satisfactory use in similar service for not less than 5 years.
- B. NEMA Compliance: Comply with NEMA Standards Publication Number VE 1, "Cable Tray Systems".
- C. NEC Compliance: Comply with NEC, as applicable to construction and installation of cable tray and cable channel systems (Article 392, NEC).
- D. UL Compliance: Provide products that are UL-classified and labeled.
- E. NFPA Compliance: Comply with NFPA 70B, "Recommended Practice for Electrical Equipment Maintenance" pertaining to installation of cable tray systems.

1.06 Delivery, Storage and Handling

- A. Deliver cable tray systems and components carefully to avoid breakage, denting and scoring finishes. Do not install damaged equipment.
- B. Store cable trays and accessories in original cartons and in clean dry space; protect from weather and construction traffic. Wet materials should be unpacked and dried before storage.

Part 2 - Products

2.01 Acceptable Manufacturers

- A. Subject to compliance with these specifications, cable tray systems shall be as manufactured by Cooper B-Line, Inc.

2.02 Cable Tray Sections and Components

- A. General: Except as otherwise indicated, provide metal cable trays, of types, classes, and sizes indicated; with splice plates, bolts, nuts and washers or connecting units. Construct units with rounded edges and smooth surfaces; in compliance with applicable standards; and with the following additional construction features. Cable tray shall be installed according to the latest revision of NEMA VE-2.
- B. Material and Finish: Straight sections, fitting side rails, rungs and splice plates shall be extruded from Aluminum Association Alloy 6063. All fabricated parts shall be made from Aluminum Association Alloy 5052.

(continued on page 190)

Redi-Rail™ - Specifications

(continued from page 189)

2.03 Type of Tray System

- A. Ladder Cable Trays shall consist of two longitudinal members (side rails) with transverse members (rungs) mechanically fastened to the side rails. Rungs shall be spaced [6] [9] [12] inches on center. Rung spacing in radiused fittings shall be industry standard 9" and measured at the center of the tray's width. Each rung must be capable of supporting 1 200 lb. concentrated load at the center of a 24" wide cable tray with a safety factor of 1.5 (See following rung loading table). Rungs shall be capable of easy removal, reinstallation, or replacement if necessary.

Rung Loading Table

| Design Factors | Material Type | Single Rung Uniform Load Capacity (lbs.) with safety factor of 1.5 | | | | | | |
|--|-----------------------|--|-----|-----|-----|-----|-----|-----|
| | | Tray Width | | | | | | |
| | | 6 | 9 | 12 | 18 | 24 | 30 | 36 |
| Ix = 0.0130 in ⁴ Sx = 0.0343 in ³ | Aluminum Series H1 | 1480 | 987 | 740 | 493 | 370 | 296 | 224 |

- B. Ventilated Bottom Cable Trays shall consist of two longitudinal members (side rails) with rungs spaced 4" on center.
- C. Solid Bottom Cable Trays shall consist of two longitudinal members (side rails) with a solid sheet over rungs spaced on 12" centers.
- D. Cable tray loading depth shall be [3] [4] [5] [6] inches per NEMA VE-1.
- E. Straight sections shall be supplied in standard [10 foot (3.05m)] [12 foot (3.65m)] lengths.
- F. Cable tray widths shall be [6] [9] [12] [18] [24] [30] [36] inches or as shown on drawings.
- G. Splice plates shall have (4) four nuts and bolts per plate. The resistance of fixed splice connections between adjacent sections of tray shall not exceed 0.00033 ohms. Splice plates shall be furnished with straight sections and fittings.
- H. All fittings must have a minimum radius of [12] [24] [36] inches.

2.04 Loading Capacities

- A. Cable trays shall meet NEMA class designation: [86 lbs./ft. on 12 ft. span] [100 lbs./ft. on 12 ft. span].
Or
- A. Cable tray shall be capable of carrying a uniformly distributed load of _____ lbs./ft on a _____ foot support span with a safety factor of 1.5 when supported as a simple span and tested per NEMA VE 1 Section 5.2.

Part 3 - Execution

3.01 Installation

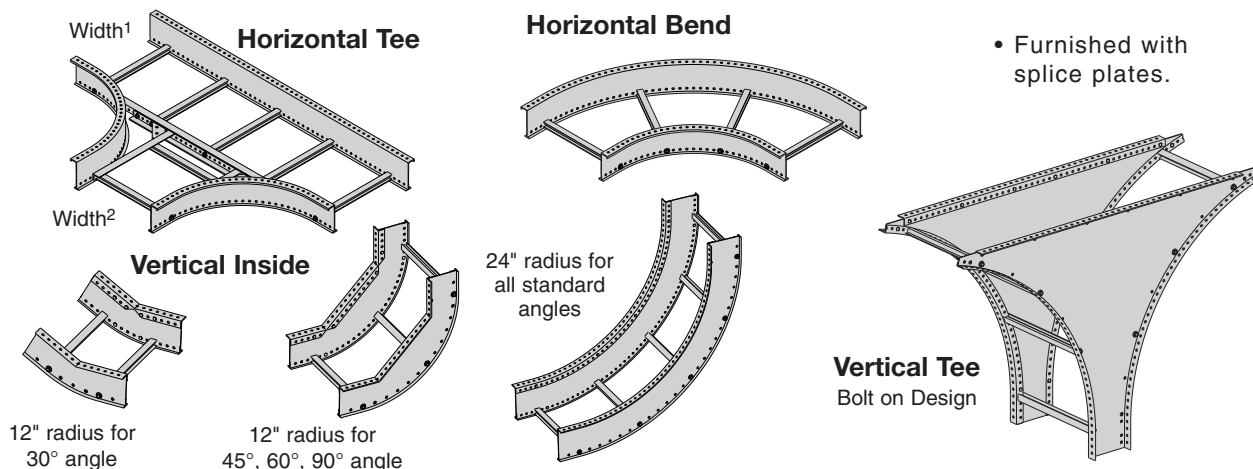
- A. Install cable trays as indicated: Installation shall be in accordance with equipment manufacturer's instructions, and with recognized industry practices to ensure that cable tray equipment comply with requirements of NEC and applicable portions of NFPA 70B. Reference NEMA VE-2 for general cable tray installation guidelines.
- B. Coordinate cable tray with other electrical work as necessary to properly integrate installation of cable tray work with other work.
- C. Provide sufficient space encompassing cable trays to permit access for installing and maintaining cables.
- D. Cable tray fitting supports shall be located such that they meet the strength requirements of straight sections. Install fitting supports per NEMA VE-2 guidelines, or in accordance with manufacturer's instructions.

3.02 Testing

- A. Test cable trays to ensure electrical continuity of bonding and grounding connections, and to demonstrate compliance with specified maximum grounding resistance. See NFPA 70B, Chapter 18, for testing and test methods.
- B. Manufacturer shall provide test reports witnessed by an independent testing laboratory of the "worst case" loading conditions outlined in this specification and performed in accordance with the latest revision of NEMA VE-1-2002/CSA C22.2 No. 126.1-02.

End Of Section.

Fittings For H14A, H15A, H16A and H17A



Fittings Part Numbering

Example: **H1 4 A R - 09 - 30 HB 12**

| Series | Height | Material | Construction | Width | Angle | Type | Radius |
|--------|--|----------|--------------|--|--|--|--------------------------|
| ● H1 | ● 4 = 4" ● 5 = 5" ● 6 = 6" ● 7 = 7" | Aluminum | Redi-Rail | ● 06 = 6" ● 09 = 9" ● 12 = 12" ● 18 = 18" ● 24 = 24" ● 30 = 30" ● 36 = 36" | ● 30 = 30° ● 45 = 45° ● 60 = 60° ● 90 = 90° | ● HB = Horizontal Bend ● *HT = Horizontal Tee ● *HX = Horizontal Cross ● VI = Vertical Inside Bend ● VO = Vertical Outside Bend ● VT = Vertical Tee | ● 12 = 12" ● 24 = 24" |

*Angle not required on HT & HX

Horizontal Reducing / Expanding Tee or Cross Fittings Part Numbering

Example: **H1 4 A R - 09 - 12 - HT 12**

| Series | Height | Material | Construction | Width ¹ | Width ² | Type | Radius |
|--------|--|----------|--------------|--|--|--|--------------------------|
| ● H1 | ● 4 = 4" ● 5 = 5" ● 6 = 6" ● 7 = 7" | Aluminum | Redi-Rail | 06 = 6" 09 = 9" 12 = 12" 18 = 18" 24 = 24" 30 = 30" 36 = 36" | 06 = 6" 09 = 9" 12 = 12" 18 = 18" 24 = 24" 30 = 30" 36 = 36" | ● HT = Horizontal Tee ● HX = Horizontal Cross | ● 12 = 12" ● 24 = 24" |

For aluminum 4", 5", 6", 7" vented or non-ventilated bottom add 04 or SB as shown below.

Prefix
H15AR04 - 24 - 90HB24
Vented Bottom

Prefix
H15ARSB - 24 - 90HB24
Non-Ventilated Bottom

For stainless steel rung attachment hardware on all aluminum straight sections and fittings add SS as shown below.

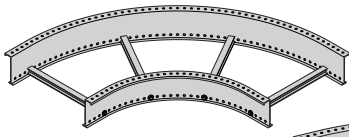
Prefix
H15AR04 - 24 - 90HB24SS
Stainless Steel

- Green = Fastest shipped items
- Black = Normal lead-time items
- Red = Normally long lead-time items

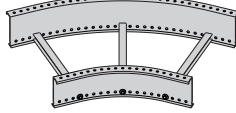
Redi-Rail™ - Fittings

Horizontal Bends 90° 60° 45° 30° (HB)

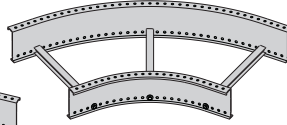
1 pair splice plates with hardware included.



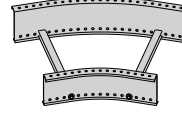
90° Horizontal Bend



45° Horizontal Bend

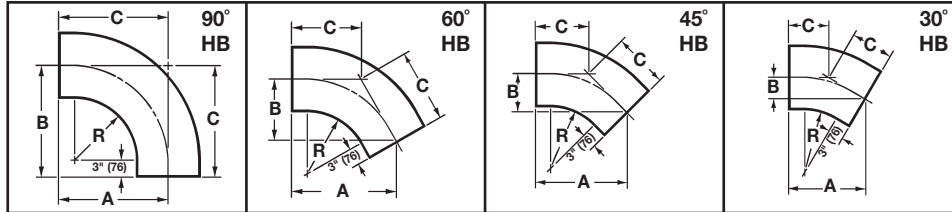


60° Horizontal Bend



30° Horizontal Bend

Bottoms manufactured:
 Ladder = 9" Rung Spacing
 VT & 04 = 4" Rung Spacing
 ST & SB = Flat sheet over
 12" Rung Spacing



| Bend Radius R | Tray Width | 90° Horizontal Bend Dimensions | | | | | | 60° Horizontal Bend Dimensions | | | | | | | |
|----------------------------|------------|--------------------------------|----------------------------------|------|----------------------------------|------|----------------------------------|--------------------------------|-----------------|----------------------------------|------|---------------------------------|------|----------------------------------|------|
| | | Catalog No. | A | | B | | C | | Catalog No. | A | | B | | C | |
| in. (mm) | in. (mm) | | in. | (mm) | in. | (mm) | in. | (mm) | | in. | (mm) | in. | (mm) | in. | (mm) |
| 12 | 305 | (Pre)-06-90HB12 | 18 ¹ / ₁₆ | 459 | 18 ¹ / ₁₆ | 459 | 18 ¹ / ₁₆ | 459 | (Pre)-06-60HB12 | 17 ⁹ / ₁₆ | 445 | 10 ¹ / ₈ | 258 | 11 ¹ / ₁₆ | 297 |
| | | (Pre)-09-90HB12 | 19 ⁹ / ₁₆ | 497 | 19 ⁹ / ₁₆ | 497 | 19 ⁹ / ₁₆ | 497 | (Pre)-09-60HB12 | 18 ¹³ / ₁₆ | 478 | 10 ⁷ / ₈ | 277 | 12 ⁹⁸ / ₁₆ | 319 |
| | | (Pre)-12-90HB12 | 21 ¹ / ₁₆ | 535 | 21 ¹ / ₁₆ | 535 | 21 ¹ / ₁₆ | 535 | (Pre)-12-60HB12 | 20 ¹ / ₈ | 511 | 11 ⁵ / ₈ | 296 | 13 ⁷ / ₁₆ | 341 |
| | | (Pre)-18-90HB12 | 24 ¹ / ₁₆ | 611 | 24 ¹ / ₁₆ | 611 | 24 ¹ / ₁₆ | 611 | (Pre)-18-60HB12 | 22 ¹³ / ₄ | 577 | 13 ¹ / ₈ | 334 | 15 ³ / ₁₆ | 385 |
| | | (Pre)-24-90HB12 | 27 ¹ / ₁₆ | 687 | 27 ¹ / ₁₆ | 687 | 27 ¹ / ₁₆ | 687 | (Pre)-24-60HB12 | 25 ⁵ / ₁₆ | 643 | 14 ⁵ / ₈ | 372 | 16 ⁷ / ₈ | 429 |
| | | (Pre)-30-90HB12 | 30 ¹ / ₁₆ | 763 | 30 ¹ / ₁₆ | 763 | 30 ¹ / ₁₆ | 763 | (Pre)-30-60HB12 | 27 ¹⁵ / ₁₆ | 709 | 16 ¹ / ₈ | 410 | 18 ⁵ / ₈ | 473 |
| | | (Pre)-36-90HB12 | 33 ¹ / ₁₆ | 840 | 33 ¹ / ₁₆ | 840 | 33 ¹ / ₁₆ | 840 | (Pre)-36-60HB12 | 30 ¹ / ₂ | 775 | 17 ³ / ₈ | 448 | 20 ³ / ₈ | 517 |
| 24 | 609 | (Pre)-06-90HB24 | 30 ¹ / ₁₆ | 763 | 30 ¹ / ₁₆ | 763 | 30 ¹ / ₁₆ | 763 | (Pre)-06-60HB24 | 27 ¹⁵ / ₁₆ | 709 | 16 ¹ / ₈ | 410 | 18 ⁵ / ₈ | 473 |
| | | (Pre)-09-90HB24 | 31 ⁹ / ₁₆ | 802 | 31 ⁹ / ₁₆ | 802 | 31 ⁹ / ₁₆ | 802 | (Pre)-09-60HB24 | 29 ¹ / ₄ | 742 | 16 ⁷ / ₈ | 429 | 19 ¹ / ₂ | 495 |
| | | (Pre)-12-90HB24 | 33 ¹ / ₁₆ | 840 | 33 ¹ / ₁₆ | 840 | 33 ¹ / ₁₆ | 840 | (Pre)-12-60HB24 | 30 ¹ / ₂ | 775 | 17 ³ / ₈ | 448 | 20 ³ / ₈ | 517 |
| | | (Pre)-18-90HB24 | 36 ¹ / ₁₆ | 916 | 36 ¹ / ₁₆ | 916 | 36 ¹ / ₁₆ | 916 | (Pre)-18-60HB24 | 33 ¹ / ₈ | 841 | 19 ¹ / ₈ | 486 | 22 ¹ / ₈ | 561 |
| | | (Pre)-24-90HB24 | 39 ¹ / ₁₆ | 992 | 39 ¹ / ₁₆ | 992 | 39 ¹ / ₁₆ | 992 | (Pre)-24-60HB24 | 35 ³ / ₄ | 907 | 20 ⁵ / ₈ | 524 | 23 ¹³ / ₁₆ | 605 |
| | | (Pre)-30-90HB24 | 42 ¹ / ₁₆ | 1068 | 42 ¹ / ₁₆ | 1068 | 42 ¹ / ₁₆ | 1068 | (Pre)-30-60HB24 | 38 ⁵ / ₁₆ | 973 | 22 ¹ / ₈ | 562 | 25 ⁹ / ₁₆ | 649 |
| | | (Pre)-36-90HB24 | 45 ¹ / ₁₆ | 1144 | 45 ¹ / ₁₆ | 1144 | 45 ¹ / ₁₆ | 1144 | (Pre)-36-60HB24 | 40 ¹⁵ / ₁₆ | 1039 | 23 ⁵ / ₈ | 600 | 27 ⁵ / ₁₆ | 693 |
| 45° Horizontal Bend | | | | | | | | 30° Horizontal Bend | | | | | | | |
| 12 | 305 | (Pre)-06-45HB12 | 15 ³ / ₄ | 400 | 6 ¹ / ₂ | 165 | 9 ³ / ₁₆ | 233 | (Pre)-06-30HB12 | 13 ¹ / ₈ | 334 | 3 ⁹ / ₁₆ | 90 | 7 ¹ / ₁₆ | 180 |
| | | (Pre)-09-45HB12 | 16 ¹³ / ₁₆ | 427 | 6 ¹⁵ / ₁₆ | 176 | 9 ¹³ / ₁₆ | 249 | (Pre)-09-30HB12 | 13 ⁷ / ₈ | 353 | 3 ³ / ₄ | 95 | 7 ¹ / ₂ | 190 |
| | | (Pre)-12-45HB12 | 17 ⁷ / ₈ | 454 | 7 ³ / ₈ | 187 | 10 ⁷ / ₁₆ | 265 | (Pre)-12-30HB12 | 14 ⁵ / ₈ | 372 | 3 ¹⁵ / ₁₆ | 100 | 7 ⁷ / ₈ | 200 |
| | | (Pre)-18-45HB12 | 20 | 508 | 8 ¹ / ₄ | 209 | 11 ¹¹ / ₁₆ | 296 | (Pre)-18-30HB12 | 16 ¹ / ₈ | 410 | 4 ⁵ / ₁₆ | 110 | 8 ¹¹ / ₁₆ | 220 |
| | | (Pre)-24-45HB12 | 22 ¹ / ₁₆ | 560 | 9 ¹ / ₈ | 232 | 12 ¹⁵ / ₁₆ | 328 | (Pre)-24-30HB12 | 17 ⁵ / ₈ | 448 | 4 ³ / ₄ | 120 | 9 ¹ / ₂ | 241 |
| | | (Pre)-30-45HB12 | 24 ³ / ₁₆ | 614 | 10 | 254 | 14 ¹³ / ₁₆ | 360 | (Pre)-30-30HB12 | 19 ¹ / ₈ | 486 | 5 ¹ / ₈ | 131 | 10 ⁵ / ₁₆ | 261 |
| | | (Pre)-36-45HB12 | 26 ⁵ / ₁₆ | 668 | 10 ¹⁵ / ₁₆ | 278 | 15 ⁷ / ₁₆ | 392 | (Pre)-36-30HB12 | 20 ⁵ / ₈ | 524 | 5 ⁹ / ₁₆ | 141 | 11 ¹ / ₁₆ | 282 |
| 24 | 609 | (Pre)-06-45HB24 | 24 ³ / ₁₆ | 614 | 10 | 250 | 14 ³ / ₁₆ | 360 | (Pre)-06-30HB24 | 19 ¹ / ₈ | 486 | 5 ¹ / ₈ | 131 | 10 ⁵ / ₁₆ | 261 |
| | | (Pre)-09-45HB24 | 25 ¹ / ₄ | 641 | 10 ¹ / ₂ | 267 | 14 ¹³ / ₁₆ | 376 | (Pre)-09-30HB24 | 19 ⁷ / ₈ | 505 | 5 ⁵ / ₁₆ | 136 | 10 ¹¹ / ₁₆ | 271 |
| | | (Pre)-12-45HB24 | 26 ⁵ / ₁₆ | 668 | 10 ¹⁵ / ₁₆ | 278 | 15 ⁷ / ₁₆ | 392 | (Pre)-12-30HB24 | 20 ⁵ / ₈ | 524 | 5 ⁹ / ₁₆ | 141 | 11 ¹ / ₁₆ | 282 |
| | | (Pre)-18-45HB24 | 28 ⁷ / ₁₆ | 722 | 11 ¹³ / ₁₆ | 300 | 16 ¹¹ / ₁₆ | 424 | (Pre)-18-30HB24 | 22 ¹ / ₈ | 563 | 5 ¹⁵ / ₁₆ | 151 | 11 ⁷ / ₈ | 302 |
| | | (Pre)-24-45HB24 | 30 ⁹ / ₁₆ | 776 | 12 ¹ / ₁₆ | 322 | 17 ¹⁵ / ₁₆ | 456 | (Pre)-24-30HB24 | 23 ⁵ / ₈ | 601 | 6 ³ / ₈ | 161 | 12 ¹¹ / ₁₆ | 322 |
| | | (Pre)-30-45HB24 | 32 ¹¹ / ₁₆ | 830 | 13 ⁹ / ₁₆ | 345 | 19 ¹ / ₈ | 486 | (Pre)-30-30HB24 | 25 ¹ / ₈ | 639 | 6 ³ / ₄ | 171 | 13 ¹ / ₂ | 343 |
| | | (Pre)-36-45HB24 | 34 ¹³ / ₁₆ | 884 | 14 ⁷ / ₁₆ | 367 | 20 ³ / ₈ | 518 | (Pre)-36-30HB24 | 26 ⁵ / ₈ | 677 | 7 ¹ / ₈ | 182 | 14 ⁵ / ₁₆ | 363 |

(Pre) See page 191 for catalog number prefix.

All dimensions in parentheses are millimeters unless otherwise specified.

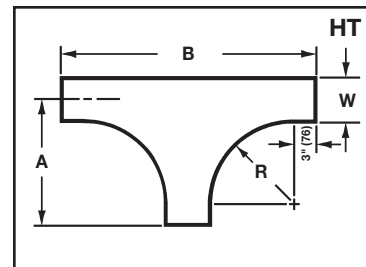
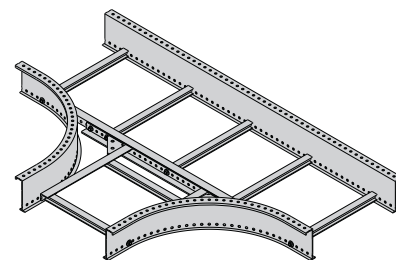
Width dimensions are to inside wall. Manufacturing tolerances apply to all dimensions.

Horizontal Tee (HT)

2 pair splice plates with hardware included.

| Bend Radius R | | Tray Width W | | Horizontal Tee Dimensions | | | | |
|------------------|------|-----------------|------|------------------------------|---------------------------------|------|----------------------------------|------|
| | | | | Catalog No. | A | | B | |
| in. | (mm) | in. | (mm) | | in. | (mm) | | |
| 12 | 305 | 6 | 152 | (Prefix)-06-HT12 | 18 ¹ / ₁₆ | 458 | 36 ³ / ₄ | 933 |
| | | 9 | 228 | (Prefix)-09-HT12 | 19 ⁹ / ₁₆ | 497 | 39 ⁷ / ₈ | 1013 |
| | | 12 | 305 | (Prefix)-12-HT12 | 18 ¹ / ₁₆ | 535 | 42 ¹ / ₄ | 1073 |
| | | 18 | 457 | (Prefix)-18-HT12 | 24 ¹ / ₁₆ | 611 | 48 ¹ / ₂ | 1232 |
| | | 24 | 609 | (Prefix)-24-HT12 | 27 ¹ / ₁₆ | 687 | 54 ¹³ / ₁₆ | 1392 |
| | | 30 | 762 | (Prefix)-30-HT12 | 30 ¹ / ₁₆ | 763 | 60 ¹ / ₄ | 1530 |
| 24 | 609 | 6 | 152 | (Prefix)-06-HT24 | 30 ¹ / ₁₆ | 763 | 61 ¹ / ₁₆ | 1551 |
| | | 9 | 228 | (Prefix)-09-HT24 | 31 ⁹ / ₁₆ | 801 | 64 ¹ / ₄ | 1631 |
| | | 12 | 305 | (Prefix)-12-HT24 | 33 ¹ / ₁₆ | 839 | 66 ⁹ / ₁₆ | 1691 |
| | | 18 | 457 | (Prefix)-18-HT24 | 36 ¹ / ₁₆ | 916 | 72 ¹ / ₁₆ | 1830 |
| | | 24 | 609 | (Prefix)-24-HT24 | 39 ¹ / ₁₆ | 992 | 78 ³ / ₈ | 1991 |
| | | 30 | 762 | (Prefix)-30-HT24 | 42 ¹ / ₁₆ | 1068 | 84 ⁵ / ₈ | 2150 |
| | | 36 | 914 | (Prefix)-36-HT24 | 45 ¹ / ₁₆ | 1144 | 90 ¹⁵ / ₁₆ | 2310 |

(Prefix) See page 191 for catalog number prefix.

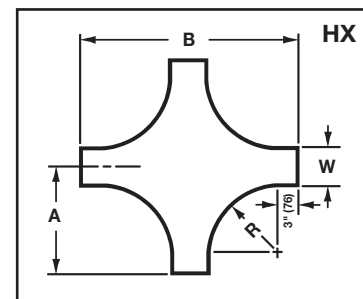
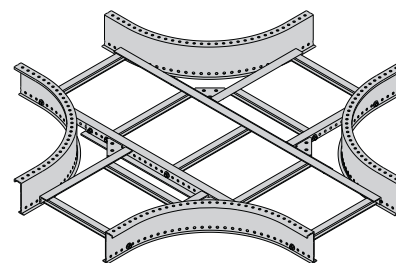


Horizontal Cross (HX)

3 pair splice plates with hardware included.

| Bend Radius R | | Tray Width W | | Horizontal Cross Dimensions | | | | |
|------------------|------|-----------------|------|--------------------------------|---------------------------------|------|----------------------------------|------|
| | | | | Catalog No. | A | | B | |
| in. | (mm) | in. | (mm) | | in. | (mm) | | |
| 12 | 305 | 6 | 152 | (Prefix)-06-HX12 | 18 ¹ / ₁₆ | 458 | 36 ³ / ₄ | 913 |
| | | 9 | 228 | (Prefix)-09-HX12 | 19 ⁹ / ₁₆ | 497 | 39 ⁷ / ₈ | 1013 |
| | | 12 | 305 | (Prefix)-12-HX12 | 21 ¹ / ₁₆ | 535 | 42 ¹ / ₄ | 1073 |
| | | 18 | 457 | (Prefix)-18-HX12 | 24 ¹ / ₁₆ | 611 | 48 ¹ / ₂ | 1232 |
| | | 24 | 609 | (Prefix)-24-HX12 | 27 ¹ / ₁₆ | 687 | 54 ¹³ / ₁₆ | 1392 |
| | | 30 | 762 | (Prefix)-30-HX12 | 30 ¹ / ₁₆ | 763 | 60 ¹ / ₄ | 1530 |
| 24 | 609 | 6 | 152 | (Prefix)-06-HX24 | 30 ¹ / ₁₆ | 763 | 60 ¹ / ₁₆ | 1551 |
| | | 9 | 228 | (Prefix)-09-HX24 | 31 ⁹ / ₁₆ | 801 | 64 ¹ / ₄ | 1631 |
| | | 12 | 305 | (Prefix)-12-HX24 | 33 ¹ / ₁₆ | 839 | 66 ⁹ / ₁₆ | 1691 |
| | | 18 | 457 | (Prefix)-18-HX24 | 36 ¹ / ₁₆ | 916 | 72 ¹ / ₁₆ | 1830 |
| | | 24 | 609 | (Prefix)-24-HX24 | 39 ¹ / ₁₆ | 992 | 78 ³ / ₈ | 1991 |
| | | 30 | 762 | (Prefix)-30-HX24 | 42 ¹ / ₁₆ | 1068 | 84 ⁵ / ₈ | 2150 |
| | | 36 | 914 | (Prefix)-36-HX24 | 45 ¹ / ₁₆ | 1144 | 90 ¹⁵ / ₁₆ | 2310 |

(Prefix) See page 191 for catalog number prefix.

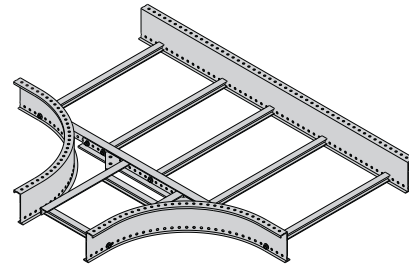


All dimensions in parentheses are millimeters unless otherwise specified.
Width dimensions are to inside wall. Manufacturing tolerances apply to all dimensions.

Redi-Rail™ - Fittings

Horizontal Reducing Tee (HT)

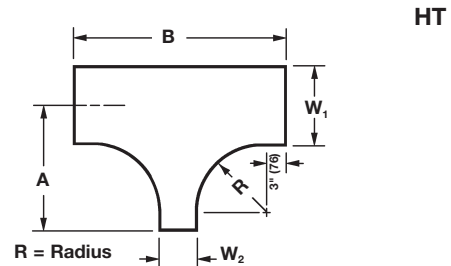
2 pair splice plates with hardware included.



Prefix - 36 - 18 HT 24

Radius
Fitting
Width W₂
Width W₁

To complete catalog number, insert fitting prefix.



| Tray Width | | | | * Insert Radius (12 for 12" or 24 for 24") Catalog No. | 12" Radius | | | | 24" Radius | | | |
|----------------|------|----------------|------|--|---------------------------------|-----|----------------------------------|------|---------------------------------|------|---------------------------------|------|
| W ₁ | | W ₂ | | | A | | B | | A | | B | |
| in. | (mm) | in. | (mm) | in. | (mm) | in. | (mm) | in. | (mm) | in. | (mm) | |
| 9 | 228 | 6 | 152 | (Prefix)-09-06-HT* | 19 ⁹ / ₁₆ | 497 | 36 ³ / ₄ | 933 | 31 ⁹ / ₁₆ | 801 | 61 ¹ / ₁₆ | 1551 |
| 12 | 305 | 6 | 152 | (Prefix)-12-06-HT* | 21 ¹ / ₁₆ | 535 | 36 ³ / ₄ | 933 | 33 ¹ / ₁₆ | 839 | 61 ¹ / ₁₆ | 1551 |
| | | 9 | 228 | (Prefix)-12-09-HT* | 21 ¹ / ₁₆ | 535 | 39 ⁷ / ₈ | 1013 | 33 ¹ / ₁₆ | 839 | 64 ¹ / ₄ | 1631 |
| 18 | 475 | 6 | 152 | (Prefix)-18-06-HT* | 24 ¹ / ₁₆ | 611 | 36 ³ / ₄ | 933 | 36 ¹ / ₁₆ | 916 | 61 ¹ / ₁₆ | 1551 |
| | | 9 | 228 | (Prefix)-18-09-HT* | 24 ¹ / ₁₆ | 611 | 39 ⁷ / ₈ | 1013 | 36 ¹ / ₁₆ | 916 | 64 ¹ / ₄ | 1631 |
| | | 12 | 305 | (Prefix)-18-12-HT* | 24 ¹ / ₁₆ | 611 | 42 ¹ / ₄ | 1073 | 36 ¹ / ₁₆ | 916 | 66 ⁹ / ₁₆ | 1691 |
| 24 | 609 | 6 | 152 | (Prefix)-24-06-HT* | 27 ¹ / ₁₆ | 687 | 36 ³ / ₄ | 933 | 39 ¹ / ₁₆ | 992 | 61 ¹ / ₁₆ | 1551 |
| | | 9 | 228 | (Prefix)-24-09-HT* | 27 ¹ / ₁₆ | 687 | 39 ⁷ / ₈ | 1013 | 39 ¹ / ₁₆ | 992 | 64 ¹ / ₄ | 1631 |
| | | 12 | 305 | (Prefix)-24-12-HT* | 27 ¹ / ₁₆ | 687 | 42 ¹ / ₄ | 1073 | 39 ¹ / ₁₆ | 992 | 66 ⁹ / ₁₆ | 1691 |
| | | 18 | 457 | (Prefix)-24-18-HT* | 27 ¹ / ₁₆ | 687 | 48 ¹ / ₂ | 1232 | 39 ¹ / ₁₆ | 992 | 72 ¹ / ₁₆ | 1830 |
| 30 | 762 | 6 | 152 | (Prefix)-30-06-HT* | 30 ¹ / ₁₆ | 763 | 36 ³ / ₄ | 933 | 42 ¹ / ₁₆ | 1068 | 61 ¹ / ₁₆ | 1551 |
| | | 9 | 228 | (Prefix)-30-09-HT* | 30 ¹ / ₁₆ | 763 | 39 ⁷ / ₈ | 1013 | 42 ¹ / ₁₆ | 1068 | 64 ¹ / ₄ | 1631 |
| | | 12 | 305 | (Prefix)-30-12-HT* | 30 ¹ / ₁₆ | 763 | 42 ¹ / ₄ | 1073 | 42 ¹ / ₁₆ | 1068 | 66 ⁹ / ₁₆ | 1691 |
| | | 18 | 457 | (Prefix)-30-18-HT* | 30 ¹ / ₁₆ | 763 | 48 ¹ / ₂ | 1232 | 42 ¹ / ₁₆ | 1068 | 72 ¹ / ₁₆ | 1830 |
| | | 24 | 609 | (Prefix)-30-24-HT* | 30 ¹ / ₁₆ | 763 | 54 ¹³ / ₁₆ | 1392 | 42 ¹ / ₁₆ | 1068 | 78 ³ / ₈ | 1991 |
| 36 | 914 | 6 | 152 | (Prefix)-36-06-HT* | 33 ¹ / ₁₆ | 839 | 36 ³ / ₄ | 933 | 45 ¹ / ₁₆ | 1144 | 61 ¹ / ₁₆ | 1551 |
| | | 9 | 228 | (Prefix)-36-09-HT* | 33 ¹ / ₁₆ | 839 | 39 ⁷ / ₈ | 1013 | 45 ¹ / ₁₆ | 1144 | 64 ¹ / ₄ | 1631 |
| | | 12 | 305 | (Prefix)-36-12-HT* | 33 ¹ / ₁₆ | 839 | 42 ¹ / ₄ | 1073 | 45 ¹ / ₁₆ | 1144 | 66 ⁹ / ₁₆ | 1691 |
| | | 18 | 457 | (Prefix)-36-18-HT* | 33 ¹ / ₁₆ | 839 | 48 ¹ / ₂ | 1232 | 45 ¹ / ₁₆ | 1144 | 72 ¹ / ₁₆ | 1830 |
| | | 24 | 609 | (Prefix)-36-24-HT* | 33 ¹ / ₁₆ | 839 | 54 ¹³ / ₁₆ | 1392 | 45 ¹ / ₁₆ | 1144 | 78 ³ / ₈ | 1991 |
| | | 30 | 762 | (Prefix)-36-30-HT* | 33 ¹ / ₁₆ | 839 | 60 ¹ / ₄ | 1532 | 45 ¹ / ₁₆ | 1144 | 84 ⁵ / ₈ | 2150 |

(Prefix) See page 191 for catalog number prefix.

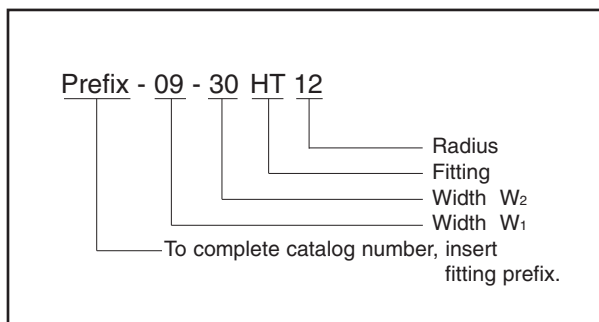
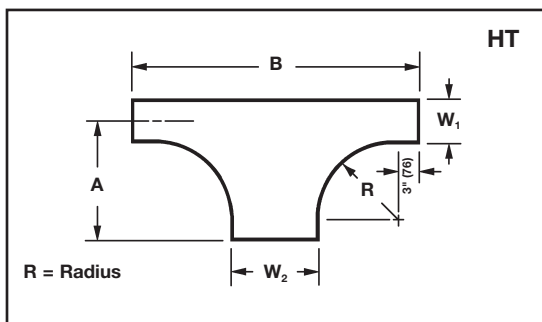
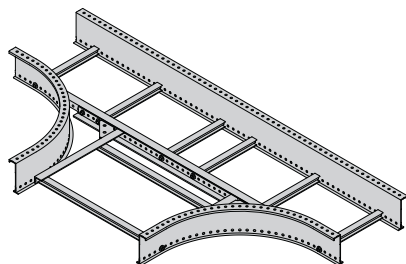
All dimensions in parentheses are millimeters unless otherwise specified.

Width dimensions are to inside wall.

Manufacturing tolerances apply to all dimensions.

Horizontal Expanding Tee (HT)

2 pair splice plates with hardware included.



| Tray Width | | *Insert Radius (12 for 12", 24 for 24") Catalog No. | | 12" Radius | | | | 24" Radius | | | | |
|----------------|----------------|---|-----|--------------------|---------------------------------|---------------|----------------------------------|---------------|---------------------------------|---------------|----------------------------------|------|
| W1 in. (mm) | W2 in. (mm) | | | A in. (mm) | | B in. (mm) | | A in. (mm) | | B in. (mm) | | |
| 6 | 152 | 9 | 228 | (Prefix)-06-09-HT* | 18 ¹ / ₁₆ | 458 | 39 ⁷ / ₈ | 1013 | 30 ¹ / ₁₆ | 763 | 64 ¹ / ₄ | 1631 |
| | | 12 | 305 | (Prefix)-06-12-HT* | 18 ¹ / ₁₆ | 458 | 42 ¹ / ₄ | 1073 | 30 ¹ / ₁₆ | 763 | 66 ⁹ / ₁₆ | 1691 |
| | | 18 | 457 | (Prefix)-06-18-HT* | 18 ¹ / ₁₆ | 458 | 48 ¹ / ₂ | 1232 | 30 ¹ / ₁₆ | 763 | 72 ¹ / ₁₆ | 1830 |
| | | 24 | 609 | (Prefix)-06-24-HT* | 18 ¹ / ₁₆ | 458 | 54 ¹³ / ₁₆ | 1392 | 30 ¹ / ₁₆ | 763 | 78 ³ / ₈ | 1991 |
| | | 30 | 762 | (Prefix)-06-30-HT* | 18 ¹ / ₁₆ | 458 | 60 ¹ / ₄ | 1532 | 30 ¹ / ₁₆ | 763 | 84 ⁵ / ₈ | 2150 |
| | | 36 | 914 | (Prefix)-06-36-HT* | 18 ¹ / ₁₆ | 458 | 66 ⁹ / ₁₆ | 1691 | 30 ¹ / ₁₆ | 763 | 90 ¹⁵ / ₁₆ | 2310 |
| 9 | 228 | 12 | 305 | (Prefix)-09-12-HT* | 19 ⁹ / ₁₆ | 497 | 42 ¹ / ₄ | 1073 | 31 ⁹ / ₁₆ | 801 | 66 ⁹ / ₁₆ | 1691 |
| | | 18 | 457 | (Prefix)-09-18-HT* | 19 ⁹ / ₁₆ | 497 | 48 ¹ / ₂ | 1232 | 31 ⁹ / ₁₆ | 801 | 72 ¹ / ₁₆ | 1830 |
| | | 24 | 609 | (Prefix)-09-24-HT* | 19 ⁹ / ₁₆ | 497 | 54 ¹³ / ₁₆ | 1392 | 31 ⁹ / ₁₆ | 801 | 78 ³ / ₈ | 1991 |
| | | 30 | 762 | (Prefix)-09-30-HT* | 19 ⁹ / ₁₆ | 497 | 60 ¹ / ₄ | 1532 | 31 ⁹ / ₁₆ | 801 | 84 ⁵ / ₈ | 2150 |
| | | 36 | 914 | (Prefix)-09-36-HT* | 19 ⁹ / ₁₆ | 497 | 66 ⁹ / ₁₆ | 1691 | 31 ⁹ / ₁₆ | 801 | 90 ¹⁵ / ₁₆ | 2310 |
| 12 | 305 | 18 | 457 | (Prefix)-12-18-HT* | 21 ¹ / ₁₆ | 535 | 48 ¹ / ₂ | 1232 | 33 ¹ / ₁₆ | 839 | 72 ¹ / ₁₆ | 1830 |
| | | 24 | 609 | (Prefix)-12-24-HT* | 21 ¹ / ₁₆ | 535 | 54 ¹³ / ₁₆ | 1392 | 33 ¹ / ₁₆ | 839 | 78 ³ / ₈ | 1991 |
| | | 30 | 762 | (Prefix)-12-30-HT* | 21 ¹ / ₁₆ | 535 | 60 ¹ / ₄ | 1532 | 33 ¹ / ₁₆ | 839 | 84 ⁵ / ₈ | 2150 |
| | | 36 | 914 | (Prefix)-12-36-HT* | 21 ¹ / ₁₆ | 535 | 66 ⁹ / ₁₆ | 1691 | 33 ¹ / ₁₆ | 839 | 90 ¹⁵ / ₁₆ | 2310 |
| 18 | 457 | 24 | 609 | (Prefix)-18-24-HT* | 24 ¹ / ₁₆ | 611 | 54 ¹³ / ₁₆ | 1392 | 36 ¹ / ₁₆ | 916 | 78 ³ / ₈ | 1991 |
| | | 30 | 762 | (Prefix)-18-30-HT* | 24 ¹ / ₁₆ | 611 | 60 ¹ / ₄ | 1532 | 36 ¹ / ₁₆ | 916 | 84 ⁵ / ₈ | 2150 |
| | | 36 | 914 | (Prefix)-18-36-HT* | 24 ¹ / ₁₆ | 611 | 66 ⁹ / ₁₆ | 1691 | 36 ¹ / ₁₆ | 916 | 90 ¹⁵ / ₁₆ | 2310 |
| 24 | 609 | 30 | 762 | (Prefix)-24-30-HT* | 27 ¹ / ₁₆ | 687 | 60 ¹ / ₄ | 1532 | 39 ¹ / ₁₆ | 992 | 84 ⁵ / ₈ | 2150 |
| | | 36 | 914 | (Prefix)-24-36-HT* | 27 ¹ / ₁₆ | 687 | 66 ⁹ / ₁₆ | 1691 | 39 ¹ / ₁₆ | 992 | 90 ¹⁵ / ₁₆ | 2310 |
| 30 | 762 | 36 | 914 | (Prefix)-30-36-HT* | 30 ¹ / ₁₆ | 763 | 66 ⁹ / ₁₆ | 1691 | 42 ¹ / ₁₆ | 1068 | 90 ¹⁵ / ₁₆ | 2310 |

(Prefix) See page 191 for catalog number prefix.

All dimensions in parentheses are millimeters unless otherwise specified.

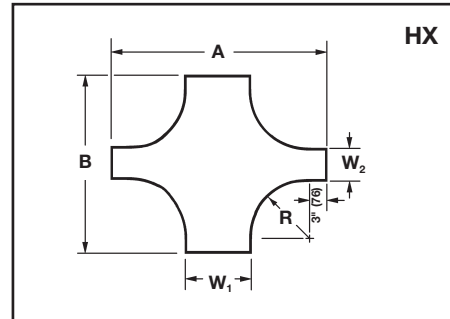
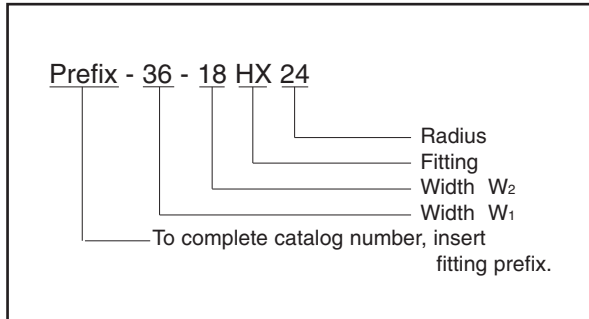
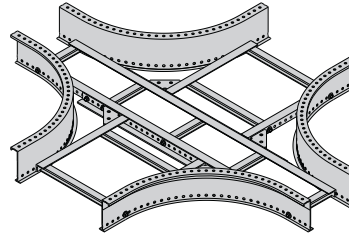
Width dimensions are to inside wall.

Manufacturing tolerances apply to all dimensions.

Redi-Rail™ - Fittings

Horizontal Expanding/Reducing Cross (HX)

3 pair splice plates with hardware included.



Redi-Rail

| Tray Width | | *Insert Radius (12 for 12", 24 for 24") Catalog No. | | 12" Radius | | | | 24" Radius | | | | |
|----------------|----------------|---|-----|--------------------|--------------------------------|---------------|----------------------------------|---------------|--------------------------------|---------------|----------------------------------|------|
| W1 in. (mm) | W2 in. (mm) | | | A in. (mm) | | B in. (mm) | | A in. (mm) | | B in. (mm) | | |
| 6 | 152 | 9 | 228 | (Prefix)-09-09-HX* | 36 ³ / ₄ | 933 | 39 ⁷ / ₈ | 1013 | 60 ¹ / ₈ | 1526 | 64 ¹ / ₄ | 1631 |
| | | 12 | 305 | (Prefix)-12-06-HX* | 36 ³ / ₄ | 933 | 42 ¹ / ₄ | 1073 | 60 ¹ / ₈ | 1526 | 66 ⁹ / ₁₆ | 1691 |
| | | 18 | 457 | (Prefix)-18-06-HX* | 36 ³ / ₄ | 933 | 48 ¹ / ₂ | 1232 | 60 ¹ / ₈ | 1526 | 72 ¹ / ₁₆ | 1830 |
| | | 24 | 609 | (Prefix)-24-06-HX* | 36 ³ / ₄ | 933 | 54 ¹³ / ₁₆ | 1392 | 60 ¹ / ₈ | 1526 | 78 ³ / ₈ | 1991 |
| | | 30 | 762 | (Prefix)-30-06-HX* | 36 ³ / ₄ | 933 | 60 ¹ / ₄ | 1532 | 60 ¹ / ₈ | 1526 | 84 ⁵ / ₈ | 2150 |
| | | 36 | 914 | (Prefix)-36-06-HX* | 36 ³ / ₄ | 933 | 66 ⁹ / ₁₆ | 1691 | 60 ¹ / ₈ | 1526 | 90 ¹⁵ / ₁₆ | 2310 |
| 9 | 228 | 12 | 305 | (Prefix)-12-09-HX* | 39 ¹ / ₈ | 993 | 42 ¹ / ₄ | 1073 | 63 ¹ / ₈ | 1603 | 66 ⁹ / ₁₆ | 1691 |
| | | 18 | 457 | (Prefix)-18-09-HX* | 39 ¹ / ₈ | 993 | 48 ¹ / ₂ | 1232 | 63 ¹ / ₈ | 1603 | 72 ¹ / ₁₆ | 1830 |
| | | 24 | 609 | (Prefix)-24-09-HX* | 39 ¹ / ₈ | 993 | 54 ¹³ / ₁₆ | 1392 | 63 ¹ / ₈ | 1603 | 78 ³ / ₈ | 1991 |
| | | 30 | 762 | (Prefix)-30-09-HX* | 39 ¹ / ₈ | 993 | 60 ¹ / ₄ | 1532 | 63 ¹ / ₈ | 1603 | 84 ⁵ / ₈ | 2150 |
| | | 36 | 914 | (Prefix)-36-09-HX* | 39 ¹ / ₈ | 993 | 66 ⁹ / ₁₆ | 1691 | 63 ¹ / ₈ | 1603 | 90 ¹⁵ / ₁₆ | 2310 |
| 12 | 305 | 18 | 457 | (Prefix)-18-11-HX* | 42 ¹ / ₈ | 1069 | 48 ¹ / ₂ | 1232 | 63 ¹ / ₈ | 1679 | 72 ¹ / ₁₆ | 1830 |
| | | 24 | 609 | (Prefix)-24-12-HX* | 42 ¹ / ₈ | 1069 | 54 ¹³ / ₁₆ | 1392 | 63 ¹ / ₈ | 1679 | 78 ³ / ₈ | 1991 |
| | | 30 | 762 | (Prefix)-30-12-HX* | 42 ¹ / ₈ | 1069 | 60 ¹ / ₄ | 1532 | 63 ¹ / ₈ | 1679 | 84 ⁵ / ₈ | 2150 |
| | | 36 | 914 | (Prefix)-36-12-HX* | 42 ¹ / ₈ | 1069 | 66 ⁹ / ₁₆ | 1691 | 63 ¹ / ₈ | 1679 | 90 ¹⁵ / ₁₆ | 2310 |
| 18 | 457 | 24 | 609 | (Prefix)-24-18-HX* | 42 ¹ / ₈ | 1069 | 54 ¹³ / ₁₆ | 1392 | 72 ¹ / ₈ | 1831 | 78 ³ / ₈ | 1991 |
| | | 30 | 762 | (Prefix)-30-18-HX* | 42 ¹ / ₈ | 1069 | 60 ¹ / ₄ | 1532 | 72 ¹ / ₈ | 1831 | 84 ⁵ / ₈ | 2150 |
| | | 36 | 914 | (Prefix)-36-18-HX* | 42 ¹ / ₈ | 1069 | 66 ⁹ / ₁₆ | 1691 | 72 ¹ / ₈ | 1831 | 90 ¹⁵ / ₁₆ | 2310 |
| 24 | 609 | 30 | 762 | (Prefix)-30-24-HX* | 54 ¹ / ₈ | 1374 | 60 ¹ / ₄ | 1532 | 78 ¹ / ₈ | 1984 | 84 ⁵ / ₈ | 2150 |
| | | 36 | 914 | (Prefix)-36-24-HX* | 54 ¹ / ₈ | 1374 | 66 ⁹ / ₁₆ | 1691 | 78 ¹ / ₈ | 1984 | 90 ¹⁵ / ₁₆ | 2310 |
| 30 | 762 | 36 | 914 | (Prefix)-36-30-HX* | 60 ¹ / ₈ | 1526 | 66 ⁹ / ₁₆ | 1691 | 84 ¹ / ₈ | 2136 | 90 ¹⁵ / ₁₆ | 2310 |

(Prefix) See page 191 for catalog number prefix.

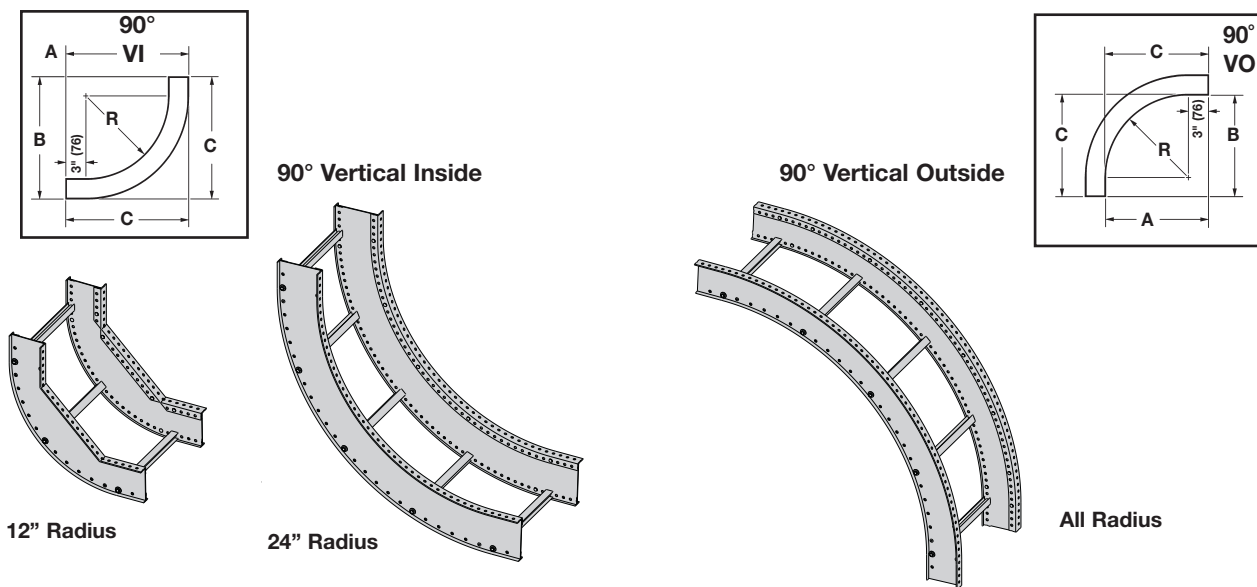
All dimensions in parentheses are millimeters unless otherwise specified.

Width dimensions are to inside wall.

Manufacturing tolerances apply to all dimensions.

Vertical Bend 90° (VO, VI)

1 pair splice plates with hardware included.



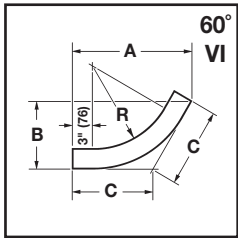
| 90° | | Vertical Inside (VI) Bend | | | | | Vertical Outside (VO) Bend | | | | |
|------------------|-------|---------------------------|-------------|-----------------|------------------|------------------|----------------------------|-----------------|--------------------|--------------------|--------------------|
| Bend Radius R | Width | | Catalog No. | VI Dimensions | | | Catalog No. | VO Dimensions | | | |
| | in. | (mm) | | A | B | C | | A | B | C | |
| 12 | 305 | 6 | 152 | (Pre)-06-90VI12 | 15 1/8" (385) | 15 1/8" (385) | 15 1/8" (385) | (Pre)-06-90VO12 | 14 15/16" (380) | 14 15/16" (380) | 14 15/16" (380) |
| | | 9 | 228 | (Pre)-09-90VI12 | | | | (Pre)-09-90VO12 | | | |
| | | 12 | 305 | (Pre)-12-90VI12 | | | | (Pre)-12-90VO12 | | | |
| | | 18 | 457 | (Pre)-18-90VI12 | | | | (Pre)-18-90VO12 | | | |
| | | 24 | 609 | (Pre)-24-90VI12 | | | | (Pre)-24-90VO12 | | | |
| | | 30 | 762 | (Pre)-30-90VI12 | | | | (Pre)-30-90VO12 | | | |
| 24 | 609 | 6 | 152 | (Pre)-06-90VI24 | 27 1/8" (690) | 27 1/8" (690) | 27 1/8" (690) | (Pre)-06-90VO24 | 26 15/16" (684) | 26 15/16" (684) | 26 15/16" (684) |
| | | 9 | 228 | (Pre)-09-90VI24 | | | | (Pre)-09-90VO24 | | | |
| | | 12 | 305 | (Pre)-12-90VI24 | | | | (Pre)-12-90VO24 | | | |
| | | 18 | 457 | (Pre)-18-90VI24 | | | | (Pre)-18-90VO24 | | | |
| | | 24 | 609 | (Pre)-24-90VI24 | | | | (Pre)-24-90VO24 | | | |
| | | 30 | 762 | (Pre)-30-90VI24 | | | | (Pre)-30-90VO24 | | | |
| | | 36 | 914 | (Pre)-36-90VI24 | | | | (Pre)-36-90VO24 | | | |

(Pre) See page 191 for catalog number prefix.
 All dimensions in parentheses are millimeters unless otherwise specified.
 Manufacturing tolerances apply to all dimensions.

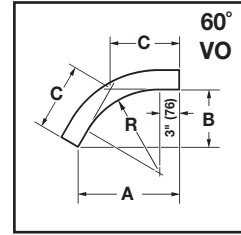
Redi-Rail™ - Fittings

Vertical Bend 60° (VO, VI)

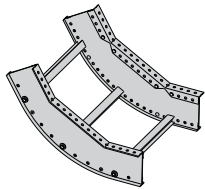
1 pair splice plates with hardware included.



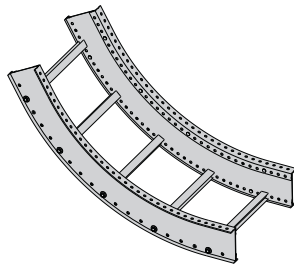
60° Vertical Inside



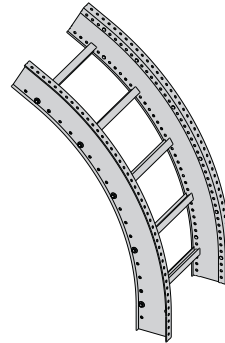
60° Vertical Outside



12" Radius



24" Radius



All Radius

| 60° | | Vertical Inside (VI) Bend | | | | Vertical Outside (VO) Bend | | | |
|------------------|-----------------|---------------------------|--|---|---|----------------------------|---|---|--|
| Bend Radius R | Width | Catalog No. | VI Dimensions | | | Catalog No. | VO Dimensions | | |
| | | | A | B | C | | A | B | C |
| 12 | 305 | (Pre)-06-60VI12 | 15 ¹ / ₁₆ " (382) | 8 ¹¹ / ₁₆ " (221) | 10 ¹ / ₁₆ " (255) | (Pre)-06-60VO12 | 14 ⁷ / ₈ " (378) | 8 ³ / ₄ " (222) | 9 ¹⁵ / ₁₆ " (252) |
| | | (Pre)-09-60VI12 | | | | (Pre)-09-60VO12 | | | |
| | | (Pre)-12-60VI12 | | | | (Pre)-12-60VO12 | | | |
| | | (Pre)-18-60VI12 | | | | (Pre)-18-60VO12 | | | |
| | | (Pre)-24-60VI12 | | | | (Pre)-24-60VO12 | | | |
| | | (Pre)-30-60VI12 | | | | (Pre)-30-60VO12 | | | |
| (Pre)-36-60VI12 | (Pre)-36-60VO12 | | | | | | | | |
| 24 | 609 | (Pre)-06-60VI24 | 25 ⁷ / ₁₆ " (646) | 14 ¹¹ / ₁₆ " (373) | 16 ¹⁵ / ₁₆ " (431) | (Pre)-06-60VO24 | 25 ¹ / ₄ " (642) | 14 ³ / ₄ " (375) | 16 ⁷ / ₈ " (428) |
| | | (Pre)-09-60VI24 | | | | (Pre)-09-60VO24 | | | |
| | | (Pre)-12-60VI24 | | | | (Pre)-12-60VO24 | | | |
| | | (Pre)-18-60VI24 | | | | (Pre)-18-60VO24 | | | |
| | | (Pre)-24-60VI24 | | | | (Pre)-24-60VO24 | | | |
| | | (Pre)-30-60VI24 | | | | (Pre)-30-60VO24 | | | |
| (Pre)-36-60VI24 | (Pre)-36-60VO24 | | | | | | | | |

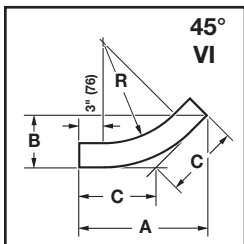
(Pre) See page 191 for catalog number prefix.

All dimensions in parentheses are millimeters unless otherwise specified.

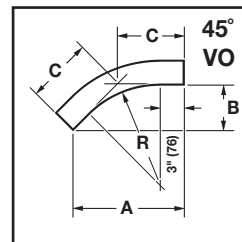
Manufacturing tolerances apply to all dimensions.

Vertical Bend 45° (VO, VI)

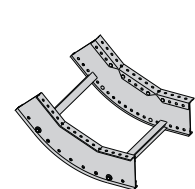
1 pair splice plates with hardware included.



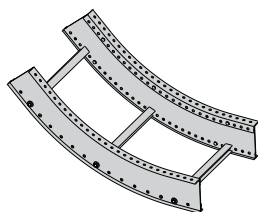
45° Vertical Inside



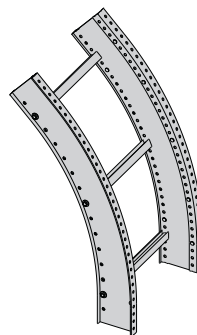
45° Vertical Outside



12" Radius



24" Radius



All Radius

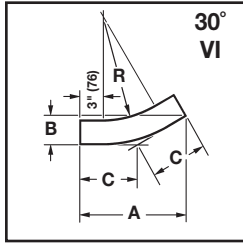
| 45° | | Vertical Inside (VI) Bend | | | | Vertical Outside (VO) Bend | | | | | |
|------------------------------|-------|---------------------------|-------------|-----------------|---|--|---|-----------------|--|--|---|
| Bend Radius R in. (mm) | Width | | Catalog No. | VI Dimensions | | | Catalog No. | VO Dimensions | | | |
| | in. | (mm) | | A | B | C | | A | B | C | |
| 12 | 305 | 6 | 152 | (Pre)-06-45VI12 | 13 ³ / ₄ " (349) | 5 ¹¹ / ₁₆ " (145) | 8 ¹ / ₁₆ " (205) | (Pre)-06-45VO12 | 13 ⁵ / ₈ " (346) | 5 ³ / ₄ " (146) | 8" (203) |
| | | 9 | 228 | (Pre)-09-45VI12 | | | | (Pre)-09-45VO12 | | | |
| | | 12 | 305 | (Pre)-12-45VI12 | | | | (Pre)-12-45VO12 | | | |
| | | 18 | 457 | (Pre)-18-45VI12 | | | | (Pre)-18-45VO12 | | | |
| | | 24 | 609 | (Pre)-24-45VI12 | | | | (Pre)-24-45VO12 | | | |
| | | 30 | 762 | (Pre)-30-45VI12 | | | | (Pre)-30-45VO12 | | | |
| 24 | 609 | 6 | 152 | (Pre)-06-45VI24 | 22 ¹ / ₄ " (565) | 9 ³ / ₁₆ " (234) | 13" (331) | (Pre)-06-45VO24 | 19 ³ / ₁₆ " (487) | 9 ¹ / ₄ " (235) | 12 ¹⁵ / ₁₆ " (329) |
| | | 9 | 228 | (Pre)-09-45VI24 | | | | (Pre)-09-45VO24 | | | |
| | | 12 | 305 | (Pre)-12-45VI24 | | | | (Pre)-12-45VO24 | | | |
| | | 18 | 457 | (Pre)-18-45VI24 | | | | (Pre)-18-45VO24 | | | |
| | | 24 | 609 | (Pre)-24-45VI24 | | | | (Pre)-24-45VO24 | | | |
| | | 30 | 762 | (Pre)-30-45VI24 | | | | (Pre)-30-45VO24 | | | |
| | | 36 | 914 | (Pre)-36-45VI24 | | | | (Pre)-36-45VO24 | | | |

(Pre) See page 191 for catalog number prefix.
 All dimensions in parentheses are millimeters unless otherwise specified.
 Manufacturing tolerances apply to all dimensions.

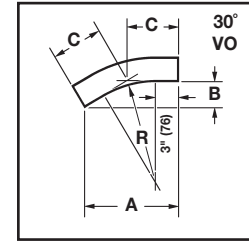
Redi-Rail™ - Fittings

Vertical Bend 30° (VO, VI)

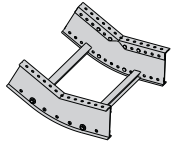
1 pair splice plates with hardware included.



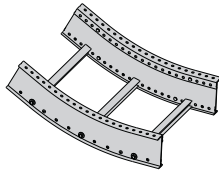
45° Vertical Inside



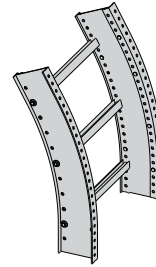
45° Vertical Outside



12" Radius



24" Radius



All Radius

| 30° | | Vertical Inside (VI) Bend | | | | Vertical Outside (VO) Bend | | | |
|------------------|-----------------|---------------------------|---|--|---|----------------------------|---|--|---|
| Bend Radius R | Width | Catalog No. | VI Dimensions | | | Catalog No. | VO Dimensions | | |
| | | | A | B | C | | A | B | C |
| 12 | 305 | (Pre)-06-45VI12 | 11 ³ / ₄ " (298) | 3 ¹ / ₈ " (80) | 6 ⁵ / ₁₆ " (160) | (Pre)-06-45VO12 | 11 ⁵ / ₈ " (296) | 3 ³ / ₁₆ " (81) | 6 ³ / ₈ " (162) |
| | | (Pre)-09-45VI12 | | | | (Pre)-09-45VO12 | | | |
| | | (Pre)-12-45VI12 | | | | (Pre)-12-45VO12 | | | |
| | | (Pre)-18-45VI12 | | | | (Pre)-18-45VO12 | | | |
| | | (Pre)-24-45VI12 | | | | (Pre)-24-45VO12 | | | |
| | | (Pre)-30-45VI12 | | | | (Pre)-30-45VO12 | | | |
| 24 | 609 | (Pre)-06-45VI24 | 17 ³ / ₄ " (451) | 4 ³ / ₄ " (121) | 9 ¹ / ₂ " (241) | (Pre)-06-45VO24 | 17 ⁵ / ₈ " (448) | 4 ³ / ₄ " (121) | 9 ⁹ / ₁₆ " (243) |
| | | (Pre)-09-45VI24 | | | | (Pre)-09-45VO24 | | | |
| | | (Pre)-12-45VI24 | | | | (Pre)-12-45VO24 | | | |
| | | (Pre)-18-45VI24 | | | | (Pre)-18-45VO24 | | | |
| | | (Pre)-24-45VI24 | | | | (Pre)-24-45VO24 | | | |
| | | (Pre)-30-45VI24 | | | | (Pre)-30-45VO24 | | | |
| (Pre)-36-45VI24 | (Pre)-36-45VO24 | | | | | | | | |

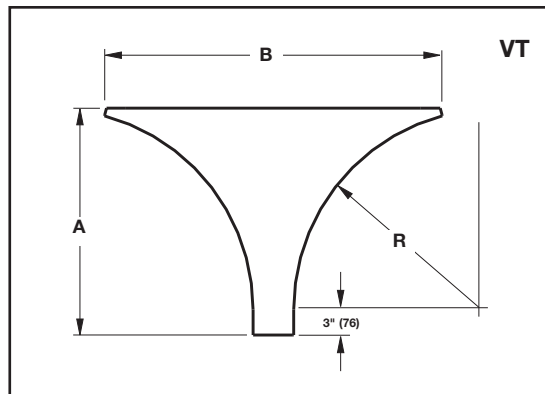
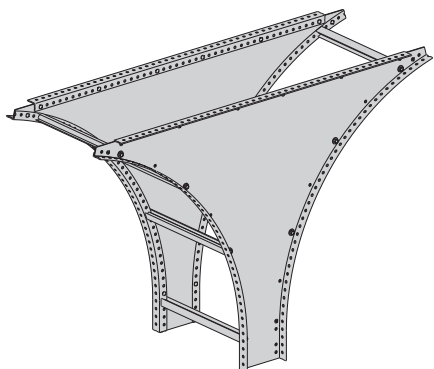
(Pre) See page 191 for catalog number prefix.

All dimensions in parentheses are millimeters unless otherwise specified.

Manufacturing tolerances apply to all dimensions.

Vertical Tee Up/Down (VTU/VT)

2 pair splice plates with hardware included.



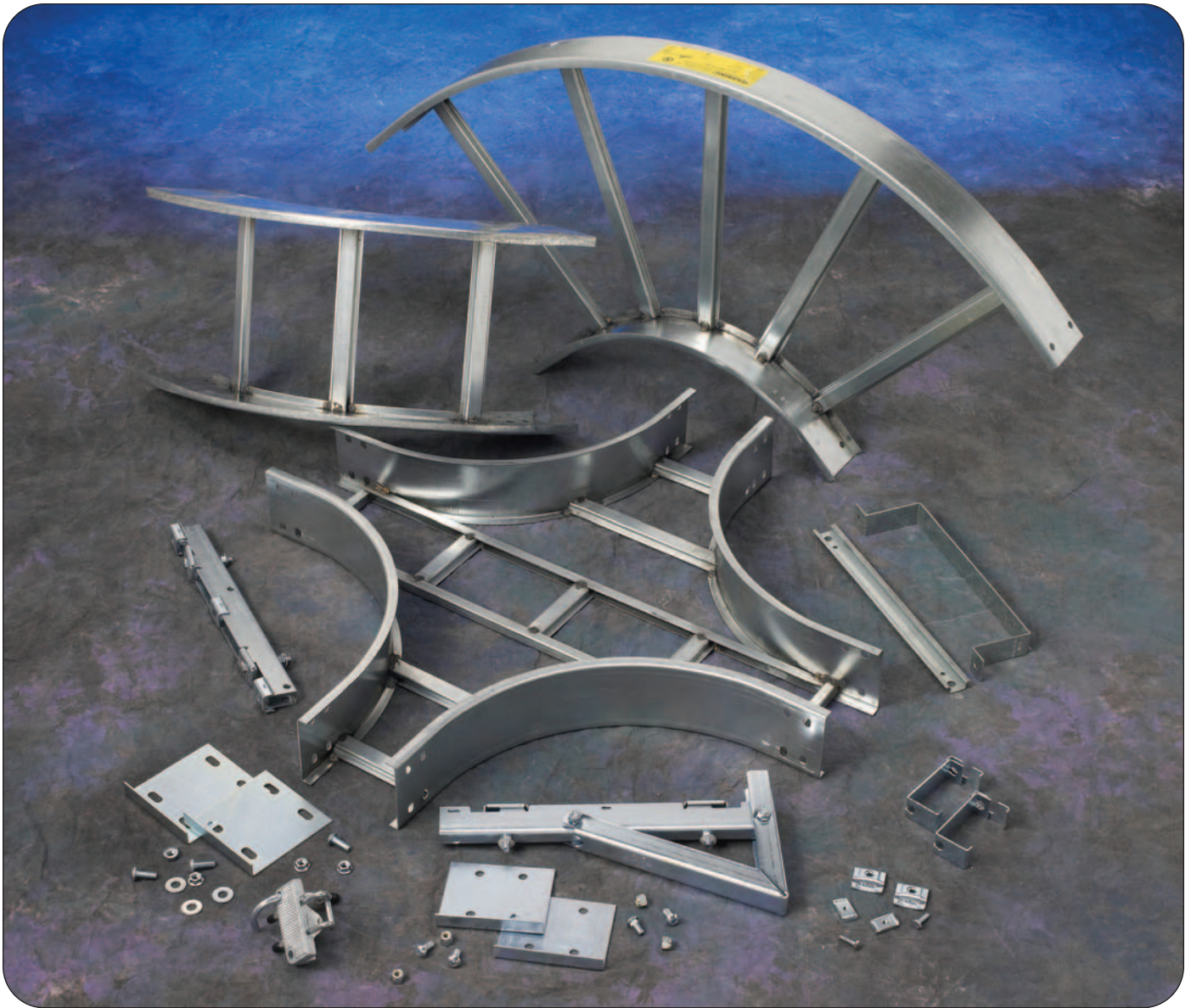
| Bend Radius R | Tray Width | | Reversible Up or Down Catalog No. | Side Rail Height "H" | | | | | | | | | |
|------------------|------------|-----|--|----------------------------------|-----|---------------------------------|------|---------------------------------|------|---------------------------------|------|---------------------------------|------|
| | | | | 4" - 7" | | 4" | | 5" | | 6" | | 7" | |
| | | | | A | | B | | B | | B | | B | |
| in. | in. (mm) | | in. | (mm) | in. | (mm) | in. | (mm) | in. | (mm) | in. | (mm) | |
| 12" (305) | 6 | 152 | (Prefix)-06-VT12 (Prefix)-09-VT12 (Prefix)-12-VT12 (Prefix)-18-VT12 (Prefix)-24-VT12 (Prefix)-30-VT12 | 11 ³ / ₁₆ | 284 | 17 ¹ / ₁₆ | 433 | 18 ¹ / ₁₆ | 459 | 19 ¹ / ₁₆ | 484 | 20 ¹ / ₁₆ | 510 |
| | 9 | 228 | | | | | | | | | | | |
| | 12 | 305 | | | | | | | | | | | |
| | 18 | 457 | | | | | | | | | | | |
| | 24 | 609 | | | | | | | | | | | |
| 24" (609) | 6 | 152 | (Prefix)-06-VT24 (Prefix)-09-VT24 (Prefix)-12-VT24 (Prefix)-18-VT24 (Prefix)-24-VT24 (Prefix)-30-VT24 | 27 ¹ / ₁₆ | 687 | 39 ¹ / ₄ | 997 | 40 ¹ / ₄ | 1022 | 41 ¹ / ₄ | 1048 | 42 ¹ / ₄ | 1073 |
| | 9 | 228 | | | | | | | | | | | |
| | 12 | 305 | | | | | | | | | | | |
| | 18 | 457 | | | | | | | | | | | |
| | 24 | 609 | | | | | | | | | | | |
| 36" (914) | 6 | 152 | (Prefix)-06-VT36 (Prefix)-09-VT36 (Prefix)-12-VT36 (Prefix)-18-VT36 (Prefix)-24-VT36 (Prefix)-30-VT36 | 39 ¹¹ / ₁₆ | 992 | 58 ³ / ₈ | 1483 | 59 ³ / ₈ | 1508 | 60 ³ / ₈ | 1533 | 61 ³ / ₈ | 1559 |
| | 9 | 228 | | | | | | | | | | | |
| | 12 | 305 | | | | | | | | | | | |
| | 18 | 457 | | | | | | | | | | | |
| | 24 | 609 | | | | | | | | | | | |

(Prefix) See page 191 for catalog number prefix.
 All dimensions in parentheses are millimeters unless otherwise specified.
 Manufacturing tolerances apply to all dimensions.

Series 1 Steel



Series 1 Steel



How The Service Advisor Works

B-Line knows that your time is important! That's why the color-coding system in this catalog is designed to help you select products that fit your service needs. Products are marked to indicate the typical lead time for orders of 50 pieces or less.

Customer: How do I select my straight sections, covers, or fittings so that I get the quickest turnaround?

Service Advisor: Each part of our selection chart is shown in colors. If any section of a part number is a different color, the part will typically ship with the longer lead time represented by the colors.

- Green = Fastest shipped items
- Black = Normal lead-time items
- Red = Normally long lead-time items

Example: 156G 09 - 24 - 144
 ● ● ● ●

Part will have a long lead time because of the 156G material.

Changing the part number from 156G to 156P will change the coding to black for all sections and reduce lead time.

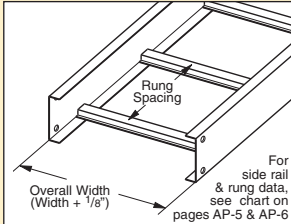
Series 1 Steel - Straight Sections

3" NEMA VE 1 Loading Depth Actual Loading Depth = 3.077"

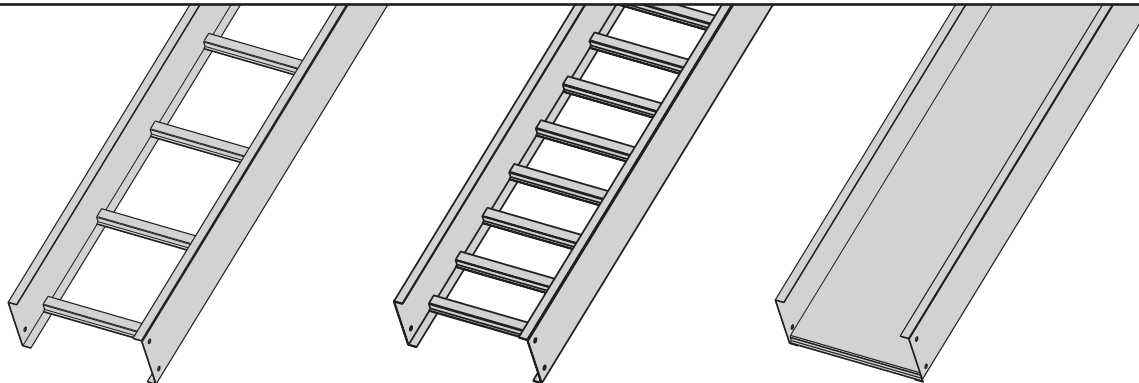
Straight Section Part Numbering

Prefix
Example: **148 P 09 - 24 - 144**

| Series | Material | Type | Width | Length |
|------------|--|--|---|--|
| 148 | <ul style="list-style-type: none"> ● P = Pre-Galvanized Steel ● G = Hot Dip Galvanized After Fabrication Steel | Ladder- <ul style="list-style-type: none"> ● 06 = 6" rung spacing ● 09 = 9" rung spacing ● 12 = 12" rung spacing Trough- 6" thru 24" wide <ul style="list-style-type: none"> ● 04 = Vented Bottom ● SB = Non-Ventilated Bottom | <ul style="list-style-type: none"> ● 06 = 6" ● 09 = 9" ● 12 = 12" ● 18 = 18" ● 24 = 24" ● 30 = 30" ● 36 = 36" | <ul style="list-style-type: none"> ● 144 = 12 ft. ① ● 120 = 10 ft. ② <p>① Primary Length. ② Secondary Length.</p> <p>See page 39 for explanation of lengths.</p> |



See page 362 for additional rung options. *SB available for all widths.



Ladder Type
(Specify Rung Spacing)

Ventilated Bottom

Non-Ventilated

Values are based on simple beam tests per NEMA VE 1 on 36" wide cable tray with rungs spaced on 12" centers. The published load safety factor is 1.5. To convert 1.5 safety factor to 2.0, multiply the published load by 0.75. To obtain mid-span deflection, multiply a load by the deflection multiplier. Cable tray must be supported on spans shorter than or equal to the length of the cable tray being installed.

| B-Line Series | Side Rail Dimensions | NEMA, CSA & UL Classifications | Span ft | Load lbs/ft | Deflection Multiplier | Design Factors for Two Rails | Span meters | Load kg/m | Deflection Multiplier | Design Factors for Two Rails |
|---------------|----------------------|---|---------|-------------|-----------------------|---|-------------|-----------|-----------------------|--|
| 148 | | NEMA: 12A, 8C CSA: C1-3m UL Cross-Sectional Area: 0.40 in ² | 6 | 204* | 0.0011 | Area=0.51 in ² Sx=0.48 in ³ Ix=0.89 in ⁴ | 1.8 | 304* | 0.019 | Area=3.29 cm ² Sx=7.87 cm ³ Ix=37.04 cm ⁴ |
| | | | 8 | 115 | 0.0036 | | 2.4 | 171 | 0.061 | |
| | | | 10 | 73 | 0.0087 | | 3.0 | 109 | 0.149 | |
| | | | 12 | 51 | 0.0181 | | 3.7 | 76 | 0.309 | |

*When using 12" rung spacing load capacity is limited to 195 lbs/ft (290.16 kg/m) for 36" tray width. When cable trays are used in continuous spans, the deflection of the cable tray is reduced by as much as 50%. Design factors: Ix = Moment of Inertia, Sx = Section Modulus.

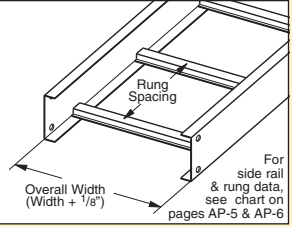
● Green = Fastest shipped items ● Black = Normal lead-time items ● Red = Normally long lead-time items

4" NEMA VE 1 Loading Depth Actual Loading Depth = 3.628"

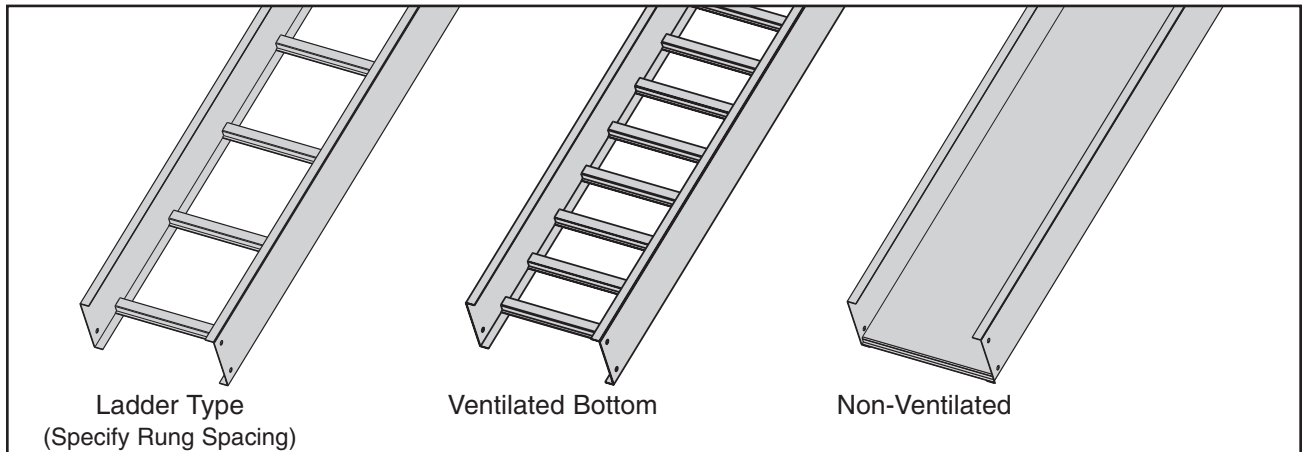
Straight Section Part Numbering

Prefix
Example: **156 P 09 - 24 - 144**

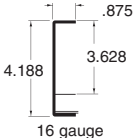
| Series | Material | Type | Width | Length |
|--------|---|--|---|---|
| 156 | ● P = Pre-Galvanized Steel | Ladder- ● 06 = 6" rung spacing ● 09 = 9" rung spacing ● 12 = 12" rung spacing | ● 06 = 6" | ● 144 = 12 ft. 156 |
| | ● G = Hot Dip Galvanized After Fabrication Steel | | ● 09 = 9" | ● 120 = 10 ft. 156 |
| | | Trough- ● 04 = Vented Bottom ● SB = Non-Ventilated Bottom | ● 12 = 12" ● 18 = 18" ● 24 = 24" ● 30 = 30" ● 36 = 36" | ① Primary Length. ② Secondary Length. See page 39 for explanation of lengths. |



See page 362 for additional rung options. *SB available for all widths.



Values are based on simple beam tests per NEMA VE 1 on 36" wide cable tray with rungs spaced on 12" centers. Cable trays will support without collapse a 200 lb. (90.7 kg) concentrated load over and above the published loads. The published load safety factor is 1.5. To convert 1.5 safety factor to 2.0, multiply the published load by 0.75. To obtain mid-span deflection, multiply a load by the deflection multiplier. Cable tray must be supported on spans shorter than or equal to the length of the cable tray being installed.

| B-Line Series | Side Rail Dimensions | NEMA, CSA & UL Classifications | Span ft | Load lbs/ft | Deflection Multiplier | Design Factors for Two Rails | Span meters | Load kg/m | Deflection Multiplier | Design Factors for Two Rails |
|---------------|---|---|---------|-------------|-----------------------|---|-------------|-----------|-----------------------|---|
| 156 |  | NEMA: 12B, 8C CSA: C1-3m UL Cross-Sectional Area: 0.40 in ² | 6 | 304* | 0.0007 | Area=0.68 in ² Sx=0.724 in ³ Ix=1.517 in ⁴ | 1.8 | 452* | 0.011 | Area=4.39 cm ² Sx=11.86 cm ³ Ix=63.14 cm ⁴ |
| | | | 8 | 171 | 0.0021 | | 2.4 | 254 | 0.036 | |
| | | | 10 | 109 | 0.0051 | | 3.0 | 163 | 0.087 | |
| | | | 12 | 76 | 0.011 | | 3.7 | 113 | 0.181 | |

*When using 12" rung spacing, load capacity is limited to 234 lbs/ft (348.192 kg/m) for 30" tray width and 195 lbs/ft (290.16 kg/m) for 36" tray width. When trays are used in continuous spans, the deflection of the tray is reduced by as much as 50%. Design factors: Ix = Moment of Inertia, Sx = Section Modulus.

● Green = Fastest shipped items ● Black = Normal lead-time items ● Red = Normally long lead-time items

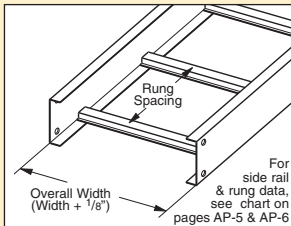
Series 1 Steel - Straight Sections

5" NEMA VE 1 Loading Depth Actual Loading Depth = 4.628"

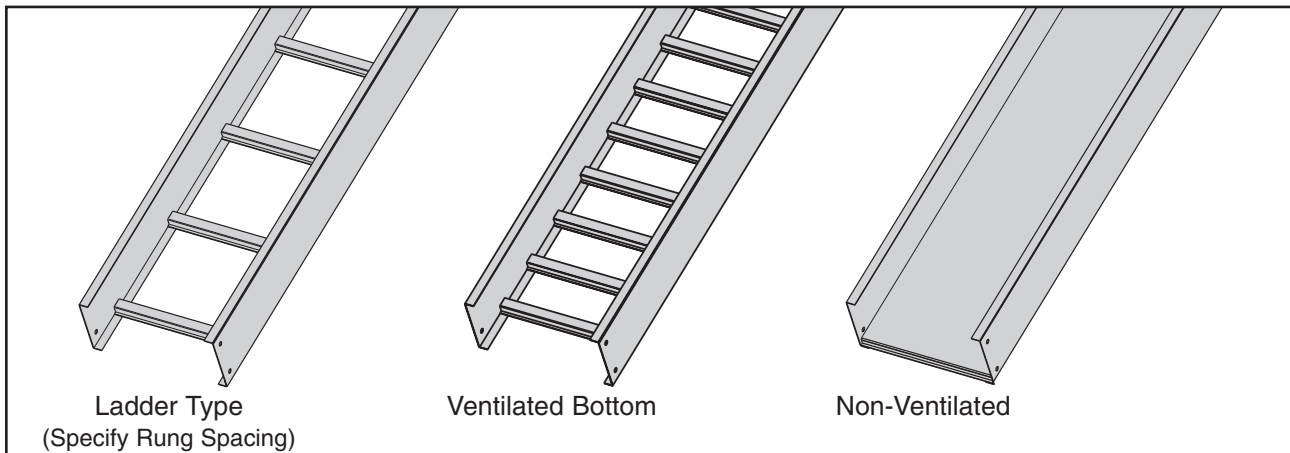
Straight Section Part Numbering

Prefix
Example: **166 P 09 - 24 - 144**

| Series | Material | Type | Width | Length |
|------------|--|--|---|--|
| 166 | <ul style="list-style-type: none"> ● P = Pre-Galvanized Steel ● G = Hot Dip Galvanized After Fabrication Steel | Ladder- <ul style="list-style-type: none"> ● 06 = 6" rung spacing ● 09 = 9" rung spacing ● 12 = 12" rung spacing Trough- <ul style="list-style-type: none"> ● 04 = Vented Bottom ● SB = Non-Ventilated Bottom | <ul style="list-style-type: none"> ● 06 = 6" ● 09 = 9" ● 12 = 12" ● 18 = 18" ● 24 = 24" ● 30 = 30" ● 36 = 36" | <ul style="list-style-type: none"> ● ^① 144 = 12 ft. ● ^② 120 = 10 ft. <p>① Primary Length. ② Secondary Length.</p> <p>See page 39 for explanation of lengths.</p> |



See page 362 for additional rung options. *SB available for all widths.



Values are based on simple beam tests per NEMA VE 1 on 36" wide cable tray with rungs spaced on 12" centers. Cable trays will support without collapse a 200 lb. (90.7 kg) concentrated load over and above published loads. The published load safety factor is 1.5. To convert 1.5 safety factor to 2.0, multiply the published load by 0.75. To obtain mid-span deflection, multiply a load by the deflection multiplier. Cable tray must be supported on spans shorter than or equal to the length of the cable tray being installed.

| B-Line Series | Side Rail Dimensions | NEMA, CSA & UL Classifications | Span ft | Load lbs/ft | Deflection Multiplier | Design Factors for Two Rails | Span meters | Load kg/m | Deflection Multiplier | Design Factors for Two Rails |
|---------------|----------------------|---|---------|-------------|-----------------------|---|-------------|-----------|-----------------------|---|
| 166 | | NEMA: 12B, 8C CSA: C-1-3m UL Cross-Sectional Area: 0.70 in ² | 6 | 308* | 0.0004 | Area=0.77 in ² Sx=0.93 in ³ Ix=2.40 in ⁴ | 1.8 | 458* | 0.007 | Area=4.97 cm ² Sx=15.24 cm ³ Ix=99.90 cm ⁴ |
| | | | 8 | 173 | 0.0013 | | 2.4 | 258 | 0.023 | |
| | | | 10 | 111 | 0.0032 | | 3.0 | 165 | 0.055 | |
| | | | 12 | 77 | 0.0067 | | 3.7 | 115 | 0.114 | |

*When using 12" rung spacing, the load capacity is limited to 234 lbs/ft (348.192 kg/m) for 30" tray width and 195 lbs/ft (290.16 kg/m) for 36" tray width. When trays are used in continuous spans, the deflection of the tray is reduced by as much as 50%. Design factors: Ix = Moment of Inertia, Sx = Section Modulus.

● Green = Fastest shipped items ● Black = Normal lead-time items ● Red = Normally long lead-time items

Series 1 Steel - Straight Sections

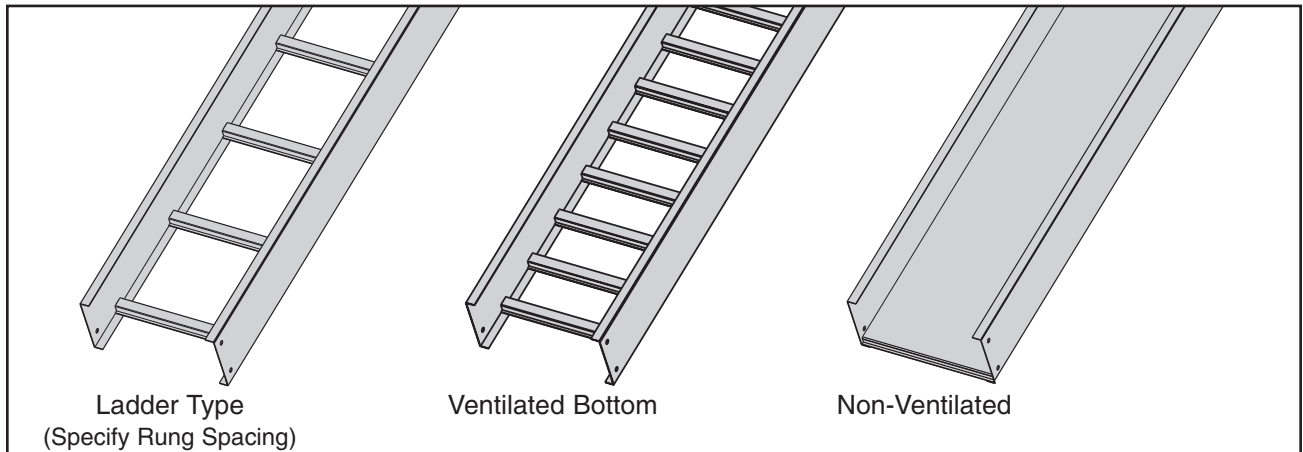
6" NEMA VE 1 Loading Depth Actual Loading Depth = 5.628"

Straight Section Part Numbering

Prefix
Example: **176 P 09 - 24 - 144**

| Series | Material | Type | Width | Length |
|--------|---|--|---|---|
| 176 | ● P = Pre-Galvanized Steel | Ladder- ● 06 = 6" rung spacing ● 09 = 9" rung spacing ● 12 = 12" rung spacing | ● 06 = 6" | ● 144 = 12 ft. |
| | ● G = Hot Dip Galvanized After Fabrication Steel | | ● 09 = 9" | ● 120 = 10 ft. |
| | | Trough- ● 04 = Vented Bottom ● SB = Non-Ventilated Bottom | ● 12 = 12" ● 18 = 18" ● 24 = 24" ● 30 = 30" ● 36 = 36" | ① Primary Length. ② Secondary Length. See page 39 for explanation of lengths. |

See page 362 for additional rung options. *SB available for all widths.



Values are based on simple beam tests per NEMA VE 1 on 36" wide cable tray with rungs spaced on 12" centers. Cable trays will support without collapse a 200 lb. (90.7 kg) concentrated load over and above published loads. The published load safety factor is 1.5. To convert 1.5 safety factor to 2.0, multiply published load by 0.75. To obtain mid-span deflection, multiply a load by the deflection multiplier. Cable tray must be supported on spans shorter than or equal to the length of the cable tray being installed.

| B-Line Series | Side Rail Dimensions | NEMA, CSA & UL Classifications | Span ft | Load lbs/ft | Deflection Multiplier | Design Factors for Two Rails | Span meters | Load kg/m | Deflection Multiplier | Design Factors for Two Rails |
|---------------|----------------------|---|---------|-------------|-----------------------|------------------------------|-------------|-----------|-----------------------|------------------------------|
| 176 | | NEMA: 12B, 8C CSA: 137 kg/m 3.7m UL Cross-Sectional Area: 0.70 in ² | 8 | 194 | 0.0008 | Area=0.89 in ² | 2.4 | 288 | 0.014 | Area=5.74 cm ² |
| | | | 10 | 124 | 0.0020 | Sx=1.23 in ³ | 3.0 | 184 | 0.035 | Sx=20.16 cm ³ |
| | | | 12 | 86 | 0.0042 | Ix=3.80 in ⁴ | 3.7 | 128 | 0.072 | Ix=158.2 cm ⁴ |

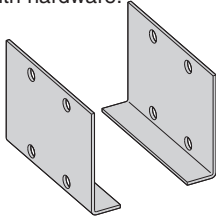
When cable trays are used in continuous spans, the deflection of the tray is reduced by as much as 50%. Design factors:
Ix = Moment of Inertia, Sx = Section Modulus.

● Green = Fastest shipped items ● Black = Normal lead-time items ● Red = Normally long lead-time items

Series 1 Steel - Accessories

Standard (L-Shaped) Splice Plates

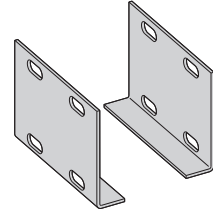
- One pair including hardware provided with each section.
- Furnished in pairs with hardware.
- Prepackaged in pairs in a plastic bag, with hardware.
- 4-hole pattern L-shaped splice plates.
- L-shaped lay-in design.
- (*) Insert **ZN** or **G**



| Tray Series | Catalog No. |
|-------------|-------------|
| 148 | 9(*)-4004 |
| 156 | 9(*)-4005 |
| 166 | 9(*)-4006 |
| 176 | 9(*)-4007 |

Expansion (L-Shaped) Splice Plates

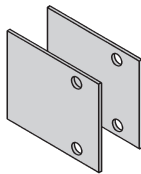
- Expansion plates allow for one inch expansion or contraction of the cable tray, or where expansion joints occur in the supporting structure.
- **Bonding Jumpers are required. Order Separately.**
- L-shaped lay-in design.
- Furnished in pairs with hardware.
- (*) Insert **ZN** or **G**



| Tray Series | Catalog No. |
|-------------|-------------|
| 148 | 9(*)-4014 |
| 156 | 9(*)-4015 |
| 166 | 9(*)-4016 |
| 176 | 9(*)-4017 |

Universal Splice Plates

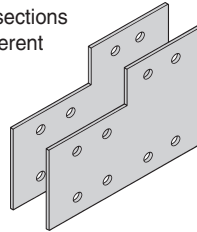
- Used to splice to existing cable tray systems.
- Furnished in pairs with hardware.
- (*) Insert **P** or **G**



| Tray Series | Catalog No. |
|-------------|---------------|
| 148 | 9(*)-2004-1/2 |
| 156 | 9(*)-2005-1/2 |
| 166 | 9(*)-2006-1/2 |
| 176 | 9(*)-2007-1/2 |

Step Down Splice Plates

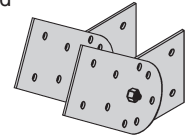
- These splice plates are offered for connecting cable tray sections having side rails of different heights.
- Furnished in pairs with hardware.
- (*) Insert **ZN** or **G**



| Tray Series | Catalog No. |
|-------------------|-------------|
| 156 to 148 | 9(*)-8004 |
| 166 to 156 or 148 | 9(*)-8045 |
| 176 to 156 or 148 | 9(*)-8046 |
| 176 to 166 | 9(*)-8060 |

Vertical Adjustable Splice Plates

- These plates provide for changes in elevation that do not conform to standard vertical fittings.
- Furnished in pairs with hardware.
- (*) Insert **ZN** or **G**

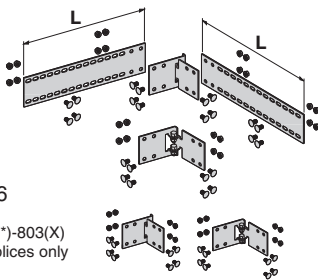


Requires supports within 24" on both sides, per NEMA VE 2.

| Tray Series | Catalog No. |
|-------------|-------------|
| 148 | 9(*)-7024 |
| 156 | 9(*)-8024 |
| 166 | 9(*)-8025 |
| 176 | 9(*)-8026 |

Horizontal Adjustable Splice Plates

- Offered to adjust a cable tray run for changes in direction in a horizontal plane that do not conform to standard horizontal fittings.
 - Furnished in pairs with hardware.
 - New design bonding jumpers **not** required.
 - (*) Insert **ZN** or **G**
 - (X) Insert 4 for series 148 or 156
5 for series 166
6 for series 176
- 9(*)-803(X)-12 or 9(*)-803(X)-36 One pair splice plates with extensions.

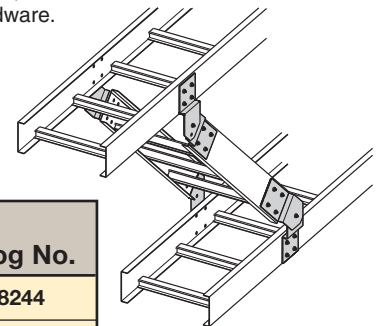


| Catalog No. | Cable Tray End Cut | Tray Width | 'L' |
|----------------|--------------------|------------|-----|
| 9(*)-803(X) | Mitered | Thru 36" | N/A |
| 9(*)-803(X)-12 | Not mitered | Thru 12" | 16" |
| 9(*)-803(X)-36 | Not mitered | Thru 36" | 41" |

Requires supports within 24" on both sides, per NEMA VE 2.

Branch Pivot Connectors

- Branch from existing cable tray runs at any point.
- Pivot to any required angle.
- UL Classified for grounding (bonding jumper not required).
- Furnished in pairs with hardware.
- (*) Insert **ZN** or **G**

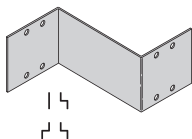


| Tray Series | Catalog No. |
|-------------|-------------|
| 156 to 148 | 9(*)-8244 |
| 166 | 9(*)-8245 |
| 176 | 9(*)-8246 |

● Green = Fastest shipped items ● Black = Normal lead-time items ● Red = Normally long lead-time items

Offset Reducing Splice Plate

- This plate is used for joining cable trays having different widths. When used in pairs they form a straight reduction; when used singly with a standard splice plate they form an offset reduction.
- Furnished as one plate with hardware.
- (‡) Insert reduction
- (*) Insert **P** or **G**



| Tray Series | Catalog No. |
|-------------|---------------|
| 148 | 9(*)-8064-(‡) |
| 156 | 9(*)-8064-(‡) |
| 166 | 9(*)-8065-(‡) |
| 176 | 9(*)-8066-(‡) |

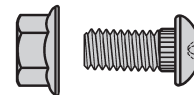
Tray Hardware

Pre-Galvanized Tray Hardware

Catalog No. ● **RNCB 3/8"-16 x 3/4" Znplt**
Ribbed Neck Carriage Bolt ASTM A307 Grade A

Catalog No. ● **SFHN 3/8"-16 Znplt**
Serrated Flange Hex Nut ASTM A563 Grade A

Finish: Zinc Plated ASTM B633, SC1



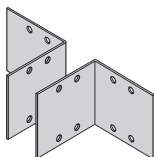
Hot Dip Galvanized Tray Hardware

Catalog No. ● **RNCB 3/8"-16 x 3/4" CZ** Ribbed Neck Carriage Bolt Chromium Zinc ASTM F-1136-88

Catalog No. ● **SFHN 3/8"-16 CZ** Serrated Flange Hex Nut Chromium Zinc ASTM F-1136-88

Tray to Box Splice Plates

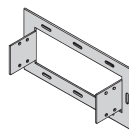
- Used to attach the end of a cable tray run to a distribution box or control panel.
- Furnished in pairs with hardware.
- (*) Insert **P** or **G**



| Tray Series | Catalog No. |
|-------------|-------------|
| 148 | 9(*)-8054 |
| 156 | 9(*)-8054 |
| 166 | 9(*)-8055 |
| 176 | 9(*)-8056 |

Frame Type Box Connector

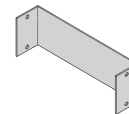
- Designed to attach the end of a cable tray run to a distribution cabinet or control center to help reinforce the box at the point of entry.
- Furnished with tray connection hardware.
- (‡) Insert tray width
- (*) Insert **ZN** or **G**



| Tray Series | Catalog No. |
|-------------|---------------|
| 148 | 9(*)-8074-(‡) |
| 156 | 9(*)-8074-(‡) |
| 166 | 9(*)-8075-(‡) |
| 176 | 9(*)-8076-(‡) |

Blind End

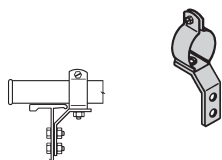
- This plate forms a closure for a dead end cable tray.
- Furnished as one plate with hardware.
- (‡) Insert tray width
- (*) Insert **P** or **G**



| Tray Series | Catalog No. |
|-------------|---------------|
| 148 | 9(*)-8084-(‡) |
| 156 | 9(*)-8084-(‡) |
| 166 | 9(*)-8085-(‡) |
| 176 | 9(*)-8086-(‡) |

Conduit to Tray Adaptor

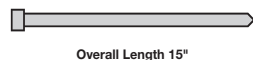
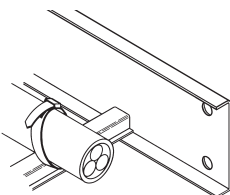
- Assembly required.
- Mounting hardware included.
- Conduit clamp included
- (‡) = Conduit size (1/2" thru 4").



Catalog No. 9ZN-1150-(‡)

Cable Tie (Ladder Tray)

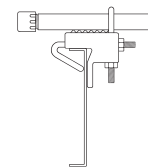
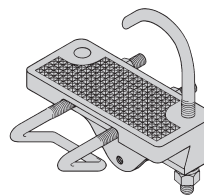
Nylon ties provide easy attachment of cable to ladder rungs; maximum cable O.D. of 3" (76 mm).



Catalog No. ● 99-2125-15

Conduit to Tray Adaptor

- For easy attachment of conduit terminating at a cable tray.
- Use on aluminum or steel cable trays.



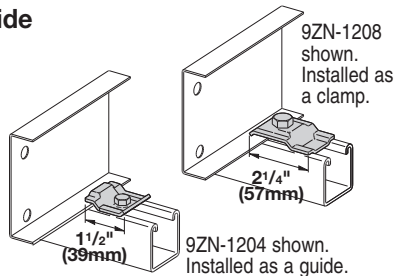
| Catalog No. | Conduit Size | |
|--------------------|--------------|---------|
| | in. | (mm) |
| ● 9G-1158-1/2, 3/4 | 1/2, 3/4 | 15, 20 |
| ● 9G-1158-1, 1 1/4 | 1, 1 1/4 | 25, 32 |
| ● 9G-1158-1 1/2, 2 | 1 1/2, 2 | 40, 50 |
| ● 9G-1158-2 1/2, 3 | 2 1/2, 3 | 65, 80 |
| ● 9G-1158-3 1/2, 4 | 3 1/2, 4 | 90, 100 |

● Green = Fastest shipped items ● Black = Normal lead-time items ● Red = Normally long lead-time items

Series 1 Steel - Accessories

Cable Tray Clamp/Guide

- Features a no-twist design.
- Has four times the strength of the traditional design.
- Each side is labeled to ensure proper installation.
- Furnished in pairs, with or without hardware.



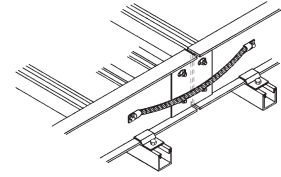
Patent #
RE35479

| Catalog No. | | Overall Length in. (mm) | Hardware Size | Finish |
|------------------|---------------|----------------------------|---------------|--------|
| Without Hardware | With Hardware | | | |
| ● 9ZN-1204 | ● 9ZN-1204NB | 1 1/2 38 | 1/4" | Znplt |
| ● 9ZN-1208 | ● 9ZN-1208NB | 2 1/4 57 | 3/8" | Znplt |

Bonding Jumper

Use at each expansion splice and where the cable tray is not mechanically/electrically continuous to ground.

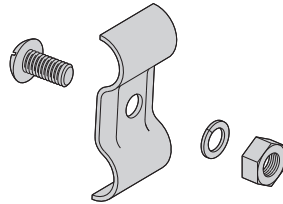
- Sold individually.
- Hardware included.
- See table 392.7(B)(2) on page 25 for amperage ratings required to match the UL cross-sectional area of the tray.
- 600 amp rating.
- Bonding jumper is 16" long.



| Catalog No. | Cross-Sectional Area | Ampacity |
|-------------|----------------------|----------|
| ● 99-N1 | 1.5 Square inches | 600 |

Ground Clamp

- Mechanically attaches grounding cables to cable tray.
- Hardware included.
- (*) Insert **ZN** or **SS4**

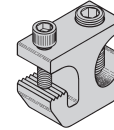


| Catalog No. | Cable Size |
|-------------|------------------|
| 9(*)-2351 | #1 thru 2/0 |
| 9(*)-2352 | 3/0 thru 250 MCM |

Grounding Clamp

B-Line Cable Tray is UL® classified as to its suitability as an equipment grounding conductor. If a separate conductor for additional grounding capability is desired, B-Line offers this clamp for bolting the conductor at least once to each tray section.

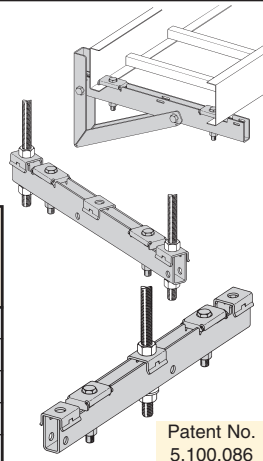
- Accepts #6 AWG to 250 MCM.



| Catalog No. | Material | Item |
|-------------|---------------------|-----------------|
| ● 9A-2130 | Tin Plated Aluminum | Grounding Clamp |

Support Bracket

- Designed for center hung or trapeze supports.
- Can be purchased as a wall mounted bracket.
- Load capacity is 600 lbs. (272.1 kg), safety factor 3.
- All components are zinc plated.
- 1/2" threaded rod and 1/2" hex nuts not included.

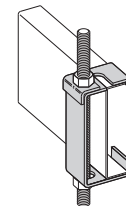


| Catalog No. | | For Cable Tray Width | |
|------------------------|---------------|----------------------|------|
| Center Hung or Trapeze | Wall Mount | in. | (mm) |
| ● 9ZN-5106 | ● 9ZN-5106-WB | 6 | 152 |
| ● 9ZN-5109 | ● 9ZN-5109-WB | 9 | 226 |
| ● 9ZN-5112 | ● 9ZN-5112-WB | 12 | 305 |
| ● 9ZN-5118 | ● 9ZN-5118-WB | 18 | 452 |
| ● 9ZN-5124 | ● 9ZN-5124-WB | 24 | 609 |

Patent No.
5,100,086

Hanger Rod Clamp

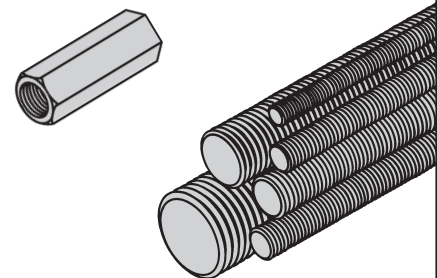
- For 1/2" ATR.
- Furnished in pairs.
- Order ATR and hex nuts separately.
- Two piece "J"-hanger design.
- 9ZN-1113 has 275 lbs./pair safety factor 3.
- 9ZN-532(X) has 1500 lbs./pair safety factor 3.



| Tray Series | Catalog No. |
|-------------|-------------|
| 148 | ● 9ZN-1113 |
| 156 | ● 9ZN-5324 |
| 166 | ● 9ZN-5325 |
| 176 | ● 9ZN-5326 |

Threaded Rod (ATR) & Rod Coupling

| Size | Loading lbs. | Catalog No. | Available Lengths | Coupling Cat. No. |
|--------|--------------|--------------------|----------------------|-------------------|
| 3/8-16 | 730 | ● ATR 3/8 x Length | 36", 72", 120", 144" | ● B655-3/8 |
| 1/2-13 | 1350 | ● ATR 1/2 x Length | 36", 72", 120", 144" | ● B655-1/2 |



Loading based on safety factor 5.

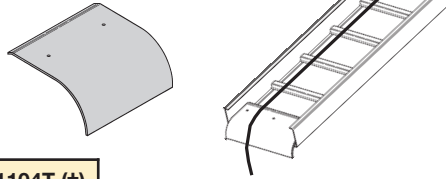
Standard Finish: Zinc plated

See B-Line Strut Systems Catalog for other sizes and finishes.

● Green = Fastest shipped items ● Black = Normal lead-time items ● Red = Normally long lead-time items

Ladder or Trough Type Drop-Out

- This special designed, easy to install drop-out provides a 4" (101.6 mm) radius to protect cables exiting the cable tray from damage.
- Attaches to a ladder rung or trough bottom (148 series only).
- Hardware included.
- (*) Insert **P** or **G**
- (‡) Insert tray width

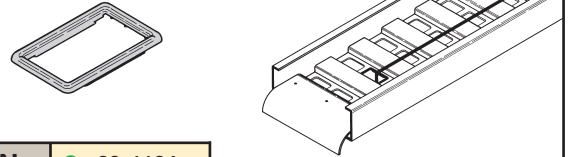


Catalog No. **9(*)-1104T-(‡)**

Trough Drop-Out Bushing (Plastic)

- These snap-in plastic bushings provide a round surface to protect cables exiting from an opening in the bottom of a ventilated trough tray.

For 148 Series Only

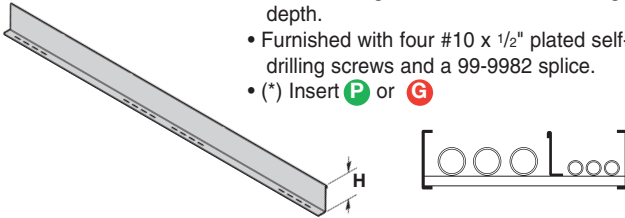


Catalog No. **● 99-1124**

Barriers

Straight Section

- Standard length: 120" (3 m) 144" (12 ft.).
- Order catalog number based on loading depth.
- Furnished with four #10 x 1/2" plated self-drilling screws and a 99-9982 splice.
- (*) Insert **P** or **G**

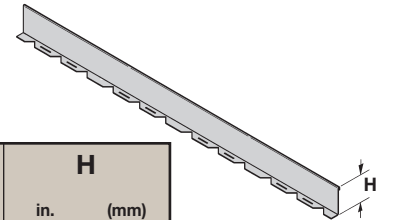


| Tray Series | Catalog No. | H | |
|-------------|----------------------|-----|------|
| | | in. | (mm) |
| 148 | 72(*)-Length | 2.8 | 58 |
| 156 | 737(*)-Length | 3.4 | 70 |
| 166 | 747(*)-Length | 4.4 | 91 |
| 176 | 757(*)-Length | 5.4 | 112 |

Length =
144 for 12'
or
120 for 10'

Horizontal Bend

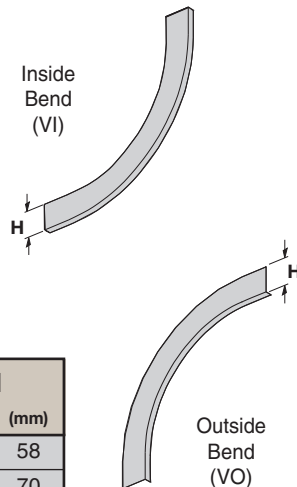
- Horizontal Bend Barriers are flexible in order to conform to any horizontal fitting radius. Cut to length.
- Order catalog number based on loading depth.
- Furnished with three #10 x 1/2" zinc plated self-drilling screws and a 99-9982 Barrier Strip Splice.
- Standard length is 72" (6 ft.), sold individually.
- (*) Insert **P** or **G**



| Tray Series | Catalog No. | H | |
|-------------|----------------------|-----|------|
| | | in. | (mm) |
| 148 | 72(*)-90HBFL | 2.8 | 58 |
| 156 | 737(*)-90HBFL | 3.4 | 70 |
| 166 | 747(*)-90HBFL | 4.4 | 91 |
| 176 | 757(*)-90HBFL | 5.4 | 112 |

Vertical Bend Barriers

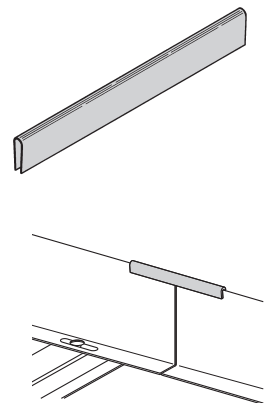
- Vertical Bend Barriers are preformed to conform to a specific vertical fitting.
- Furnished with three #10 x 1/2" plated self-drilling screws and a 99-9982 Barrier Strip Splice.
- (*) Insert **P** or **G**
- (**) Insert 30, 45, 60 or 90 for degrees
- (†) Insert 12, 24, or 36 for radius



| Tray Series | Catalog No. | | H | |
|-------------|-------------------------|-------------------------|-----|------|
| | Inside Bend | Outside Bend | in. | (mm) |
| 148 | 72(*)-(**VI(†)) | 72(*)-(**VO(†)) | 2.8 | 58 |
| 156 | 737(*)-(**VI(†)) | 737(*)-(**VO(†)) | 3.4 | 70 |
| 166 | 747(*)-(**VI(†)) | 747(*)-(**VO(†)) | 4.4 | 91 |
| 176 | 757(*)-(**VI(†)) | 757(*)-(**VO(†)) | 5.4 | 112 |

Barrier Strip Splice

- Plastic splice holds adjoining barrier strips in straight alignment.

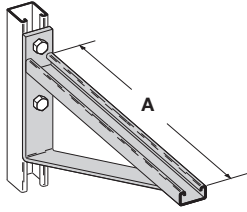


Catalog No. **● 99-9982**

● Green = Fastest shipped items ● Black = Normal lead-time items ● Red = Normally long lead-time items

Series 1 Steel - Accessories

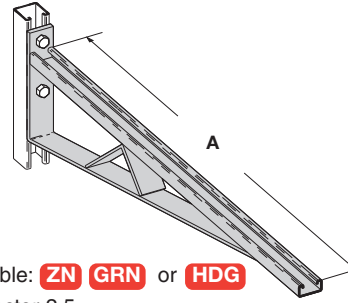
Cantilever Bracket



Finishes available: **ZN** **GRN** or **HDG**
Safety Load Factor 2.5

| Catalog No. | Uniform Load | | Tray Width | | 'A' | |
|----------------|--------------|------|------------|-----------|-----|-------|
| | lbs | (kN) | in. | (mm) | in. | (mm) |
| B494-12 | 1580 | 7.02 | 6 & 9 | 152 & 229 | 12 | 304.8 |
| B494-18 | 1000 | 4.45 | 12 | 305 | 18 | 457.2 |
| B494-24 | 996 | 4.43 | 18 | 457 | 24 | 609.6 |

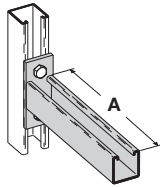
Cantilever Bracket



Finishes available: **ZN** **GRN** or **HDG**
Safety Load Factor 2.5

| Catalog No. | Uniform Load | | Tray Width | | 'A' | |
|----------------|--------------|------|------------|-------|-----|--------|
| | lbs | (kN) | in. | (mm) | in. | (mm) |
| B494-30 | 924 | 4.11 | 24 | 609.6 | 30 | 762.0 |
| B494-36 | 864 | 3.84 | 30 | 762.0 | 36 | 914.4 |
| B494-42 | 580 | 2.58 | 36 | 914.4 | 42 | 1066.8 |

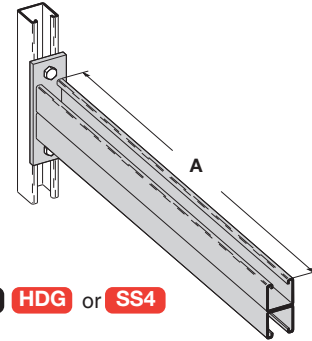
Cantilever Bracket



Finishes available: **ZN** **GRN** **HDG** **SS4** or **SS6**
Safety Load Factor 2.5

| Catalog No. | Uniform Load | | Tray Width | | 'A' | |
|----------------|--------------|------|------------|-----------|-----|-------|
| | lbs | (kN) | in. | (mm) | in. | (mm) |
| B409-12 | 960 | 4.27 | 6 & 9 | 152 & 228 | 12 | 304.8 |
| B409-18 | 640 | 2.84 | 12 | 305 | 18 | 457.2 |
| B409-24 | 480 | 2.13 | 18 | 457 | 24 | 609.6 |

Cantilever Bracket



Finishes available: **ZN** **GRN** **HDG** or **SS4**
Safety Load Factor 2.5

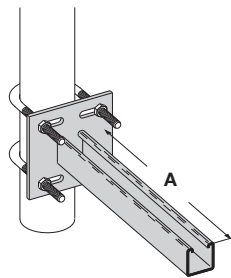
| Catalog No. | Uniform Load | | Tray Width | | 'A' | |
|----------------|--------------|------|------------|-------|-----|--------|
| | lbs | (kN) | in. | (mm) | in. | (mm) |
| B297-30 | 665 | 2.95 | 24 | 609.6 | 30 | 762.0 |
| B297-36 | 550 | 2.44 | 30 | 762.0 | 36 | 914.4 |
| B297-42 | 465 | 2.06 | 36 | 914.4 | 42 | 1066.8 |

Underfloor Support (U-Bolts not included)

| U-Bolt Size | Fits Pipe O.D. |
|-------------|----------------|
| B501-3/4 | .841 - 1.050 |
| B501-1 | 1.051 - 1.315 |
| B501-1 1/4 | 1.316 - 1.660 |
| B501-1 1/2 | 1.661 - 1.900 |
| B501-2 | 1.901 - 2.375 |
| B501-2 1/2 | 2.376 - 2.875 |

• Order properly sized U-Bolts separately.

Finish available: **ZN**
Safety Load Factor 2.5

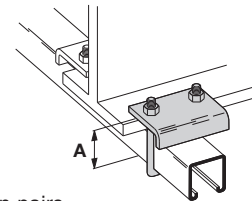


| Catalog No. | Uniform Load | | Tray Width | | 'A' | |
|------------------|--------------|------|------------|-----------|-----|------|
| | lbs | (kN) | in. | (mm) | in. | (mm) |
| B409UF-12 | 800 | 3.55 | 6 & 9 | 152 & 229 | 12 | 305 |
| B409UF-21 | 450 | 2.00 | 12 & 18 | 305 & 457 | 21 | 533 |

Beam Clamp

- Finishes available: **ZN** or **HDG**
- Sold in pieces with hardware.

Design load when used in pairs.
Safety Load Factor 5.0

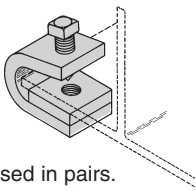


| Catalog No. | Design Load* | | 'A' | |
|-----------------|--------------|------|-------|------|
| | lbs | (kN) | in. | (mm) |
| B441-22 | 1200 | 5.34 | 3 3/8 | 86 |
| B441-22A | 1200 | 5.34 | 5 | 127 |

● Green = Fastest shipped items ● Black = Normal lead-time items ● Red = Normally long lead-time items

Beam Clamp

- Finishes available: **ZN** **GRN** or **HDG**
- Setscrew included.

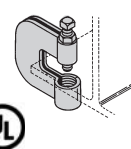


Design load when used in pairs.
Safety Load Factor 5.0

| Cat. No. | B210 | | B210A | |
|------------------|----------|---------|----------|---------|
| Design Load | 800 lbs. | 3.56 kN | 300 lbs. | 1.33 kN |
| Tap Size | 1/2"-13 | - | 3/8"-16 | - |
| Mat'l. Thickness | 3/8" | 9.5 mm | 1/4" | 6.4 mm |

Steel C-Clamp With Locknut

- Finishes available:
ZN for 3/8 & 1/2
ZN for 5/8 & 3/4
SS4 all sizes

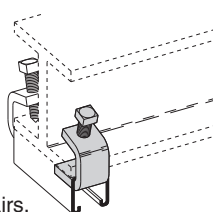


Safety Load Factor 5.0

| Catalog Number | Rod Size | Design Load | |
|----------------|----------|-------------|------|
| | | lbs | (kN) |
| B351L-3/8 | 3/8"-16 | 300 | 0.89 |
| B351L-1/2 | 1/2"-13 | 380 | 1.69 |
| B351L-5/8 | 5/8"-11 | 550 | 2.44 |
| B351L-3/4 | 3/4"-10 | 630 | 2.80 |

Beam Clamp

- Finishes available: **ZN** **GRN** or **HDG**
- Sold in pieces.

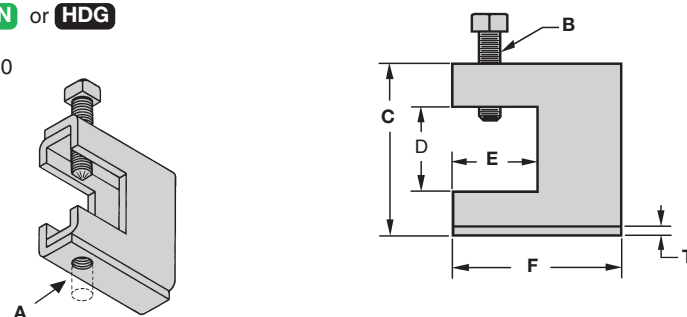


Design load when used in pairs.
Safety Load Factor 5.0

| Cat. No. | B212-1/4 | | B212-3/8 | |
|-------------------|----------|---------|-----------|---------|
| Design Load | 600 lbs. | 2.67 kN | 1000 lbs. | 4.45 kN |
| Max. Flange Thick | 3/4" | 19 mm | 1 1/8" | 28.6 mm |
| Mat'l. Thickness | 1/4" | 6.3 mm | 3/8" | 9.5 mm |

B305 Thru B308 & B321 Series Beam Clamps

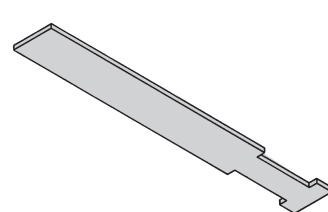
- Finishes available: **ZN** or **HDG**
- Setscrew included.
- Safety Load Factor 5.0



| Cat. No. | Rod Size A | B | C | D | E | F | T | Design Load | |
|----------|------------|---------|---------|----------|--------|--------|--------|-------------|------|
| | | | | | | | | lbs | (kN) |
| B305 | 3/8"-16 | 3/8"-16 | 2 5/16" | 7/8" | 1 1/8" | 2 1/2" | 11 Ga. | 600 | 2.67 |
| B306 | 3/8"-16 | 1/2"-13 | 2 7/16" | 7/8" | 1 1/8" | 2 1/2" | 7 Ga. | 1100 | 4.90 |
| B307 | 1/2"-13 | 1/2"-13 | 2 7/16" | 7/8" | 1 1/8" | 2 1/2" | 7 Ga. | 1100 | 4.90 |
| B308 | 1/2"-13 | 1/2"-13 | 2 9/16" | 7/8" | 1 1/8" | 2 1/2" | 1/4" | 1500 | 6.68 |
| B321-1 | 3/8"-16 | 1/2"-13 | 3 9/16" | 1 11/16" | 1 5/8" | 3 1/4" | 1/4" | 1300 | 5.79 |
| B321-2 | 1/2"-13 | 1/2"-13 | 3 9/16" | 1 11/16" | 1 5/8" | 3 1/4" | 1/4" | 1400 | 6.23 |

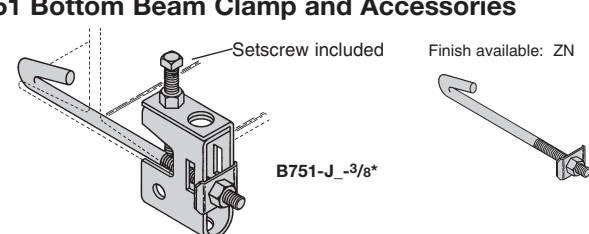
B312 Anchor Strap

- Finishes available: **ZN** or **HDG**
- For a maximum beam thickness of 3/4".
- For thicker beams, step up one flange width size.



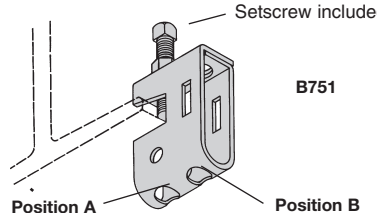
| Cat. No. | Flange Width |
|----------|--------------|
| B312-6 | Up to 6" |
| B312-9 | 6" - 9" |
| B312-12 | 9" - 12" |

B751 Bottom Beam Clamp and Accessories



Finish available: **ZN**

Loading position A - 500 lbs.
Loading position B - 300 lbs.
Safety Load Factor 5.0



| Assembly No. | B751 | B701J_ | B752 | B753 |
|---------------------|--------------------------|---------------------------|--------------------|-----------------|
| To Fit Flange Sizes | Clamp, Setscrew & J-Hook | J-Hook, Clip & Square Nut | Swivel & Bolt Only | Swivel Nut Only |
| 4"-5 7/8" | ● B751-J4-3/8* | ● B701-J4-3/8 | ● B752 | ● B753-** |
| 6"-8 7/8" | ● B751-J6-3/8* | ● B701-J6-3/8 | ● B752 | ● B753-** |
| 9"-11 7/8" | ● B751-J9-3/8* | ● B701-J9-3/8 | ● B752 | ● B753-** |

* Clamp Assembly complete with J-Hook Assembly. Setscrew included.
** Insert 1/4, 3/8 or 1/2 for the desired rod size.

Provides a full 15° swivel in any direction. (State the desired rod size.)

● Green = Fastest shipped items ● Black = Normal lead-time items ● Red = Normally long lead-time items

Series 1 Steel - Accessories

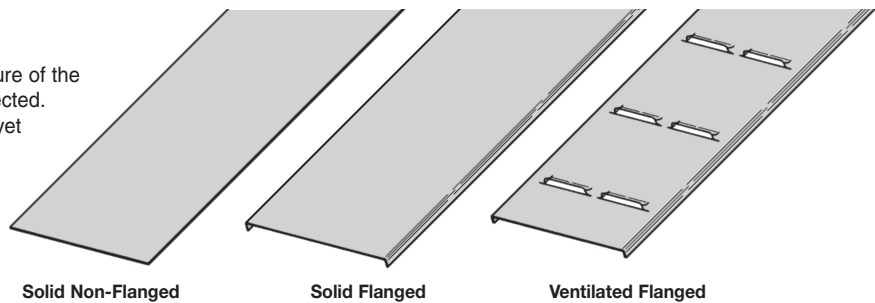
Covers

Solid covers should be used when maximum enclosure of the cables is desired and no accumulation of heat is expected.

Ventilated covers provide an overhead cable shield yet allow heat to escape.

Cooper B-Line recommends that covers on vertical cable tray runs to a height of 6 ft. (1.83 m) to 8 ft. (2.44 m) above the floor to isolate both cables and personnel.

Flanged covers have a .30 in. (7.6 mm) flange. Cover clamps are not included with the cover and must be ordered separately.



Covers Part Numbering

Prefix

Example: 80 1 P - 20 - 24 - 144

Cover Type

● 80 = Solid

● 81 = Ventilated

Detail

● 1 = Flanged

● 9 = Non-Flanged

Material

● P = Pre-Galvanized

● G = HDGAF

Material Thickness

● 20 = 20 Ga. Steel for Pre-Galvanized

● 18 = 18 Ga. Steel for HDGAF

Tray Width

● 06 = 6"

● 09 = 9"

● 12 = 12"

● 18 = 18"

● 24 = 24"

● 30 = 30"

● 36 = 36"

Item Description

For Straight Section Cover:

Pre-Galvanized Only:

● 144 = 12 ft. (3.66 m)

● 120 = 10 ft. (3.05 m)

Pre-Galvanized & HDGAF

● 72 = 6 ft. (1.83 m)

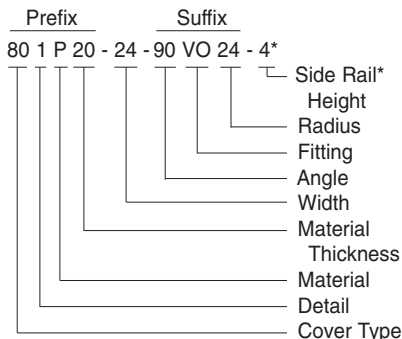
● 60 = 5 ft. (1.52 m)

Covers 30" and 36" wide have reinforcing ridges.

For fitting covers: Insert suffix of fitting to be covered. See example below.

Example of Catalog Number for Fitting Cover:

Vertical Bend Cover



* Required for VO fittings only.

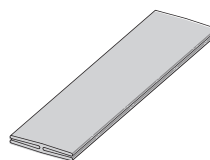
Quantity of Standard Cover Clamps Required

| | |
|-------------------------------|--------|
| Straight Section 60" or 72" | 4 pcs. |
| Straight Section 120" or 144" | 6 pcs. |
| Horizontal/Vertical Bends | 4 pcs. |
| Tees | 6 pcs. |
| Crosses | 8 pcs. |

Note: When using the Heavy Duty Cover Clamp, only one-half the number of clamps stated above is required.

Cover Joint Strip

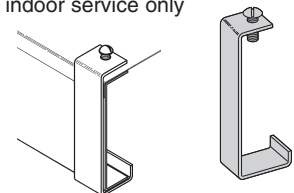
- Used to join covers
- Plastic
- (‡) Insert tray width



Cat. No. ● 99-9980-(‡)

Standard Cover Clamp

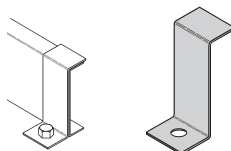
- Sold per piece
- For indoor service only



| Tray Series | Catalog No. | |
|-------------|-------------|-----------|
| | Znplt | HDGAF |
| 148 | ● 9ZN-9019 | ● 9G-9019 |
| 156 | ● 9ZN-9014 | ● 9G-9014 |
| 166 | ● 9ZN-9015 | ● 9G-9015 |
| 176 | ● 9ZN-9016 | ● 9G-9016 |

Combination Hold Down & Cover Clamp

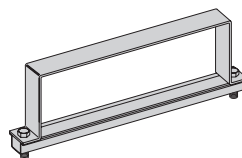
- Sold per piece
- For indoor service only



| Tray Series | Catalog No. | |
|-------------|-----------------|-----------|
| | Znplt/Pre-Galv. | HDGAF |
| 148 | ● 9ZN-9243 | ● 9G-9243 |
| 156 | ● 9P-9043 | ● 9G-9043 |
| 166 | ● 9P-9053 | ● 9G-9053 |
| 176 | ● 9P-9063 | ● 9G-9063 |

Heavy Duty Cover Clamp

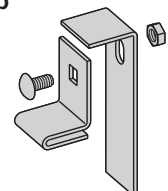
- (‡) Insert tray width



| Tray Series | Catalog No. | |
|-------------|---------------|---------------|
| | Pre-Galv. | HDGAF |
| 148 | ● 9P-(‡)-9040 | ● 9G-(‡)-9040 |
| 156 | ● 9P-(‡)-9044 | ● 9G-(‡)-9044 |
| 166 | ● 9P-(‡)-9054 | ● 9G-(‡)-9054 |
| 176 | ● 9P-(‡)-9064 | ● 9G-(‡)-9064 |

Raised Cover Clamp

- For indoor service only.
- Sold per piece
- For use with flanged covers only.



† Specify gap of 1", 2", 3" or 4".

| Tray Series | Catalog No. |
|-------------|-------------|
| Series 1 | ● 9ZN-910† |

● Green = Fastest shipped items ● Black = Normal lead-time items ● Red = Normally long lead-time items

Section 1- Acceptable Manufacturers

- 1.01 Manufacturer: Subject to compliance with these specifications, cable tray systems shall be as manufactured by Cooper B-Line, Inc.

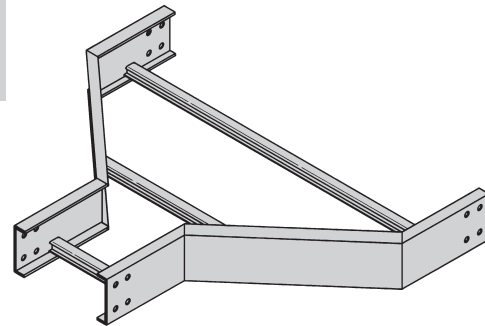
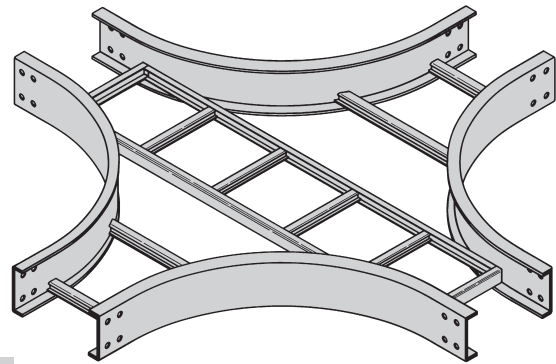
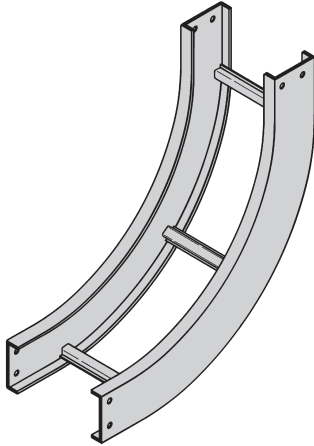
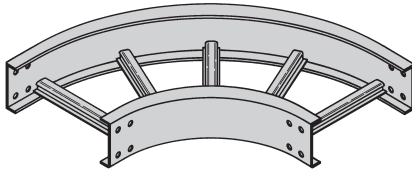
Section 2- Cable Tray Sections and Components

- 2.01 General: Except as otherwise indicated, provide metal cable trays, of types, classes and sizes indicated; with splice plates, bolts, nuts and washers for connecting units. Construct units with rounded edges and smooth surfaces; in compliance with applicable standards; and with the following additional construction features. Cable tray shall be installed according to the latest revision of NEMA VE 2.
- 2.02 Pre-Galvanized Steel: Straight sections, fitting side rails, rungs, and covers shall be made from structural quality steel meeting the minimum mechanical properties and mill galvanized in accordance with ASTM A653 SS, Grade 33, coating designation G90. Hardware finish shall be electro-galvanized zinc per ASTM B633.
- 2.03 Hot dip Galvanized Steel: All side rails, covers, splice plates, and rungs shall be made from structural quality steel meeting the minimum mechanical properties of ASTM A1011 SS, Grade 33 for 14 gauge and heavier, ASTM A1008, Grade 33 Type 2 for 16 gauge and lighter, and shall be hot dip galvanized after fabrication in accordance with ASTM A123. Mill galvanized covers are not acceptable for hot dipped galvanized cable tray. Hardware finish shall be chromium zinc per ASTM F-1136-88.
- 2.04 Ladder Cable Trays shall consist of two longitudinal members (side rails) with transverse members (rungs) welded to the side rails. Rungs shall be spaced [6] [9] [12] inches on center. Rung spacing in radiused fittings shall be industry standard 9" and measured at the center of the tray's width. No portion of the rungs shall protrude below the bottom plane of the side rails.
- 2.05 Ventilated Trough Cable Trays shall consist of two longitudinal members (side rails) with a corrugated bottom welded to the side rails or rungs spaced 4" on center. The peaks of the corrugated bottom shall have a minimum flat cable bearing surface of 2³/₄" and shall be spaced on 6" centers. To provide ventilation in the tray, the valleys of the corrugated bottom shall have 2¹/₄" x 4" rectangular holes punched along the width of the bottom.
- 2.06 Non-Ventilated Bottom Trough Cable Trays shall consist of two longitudinal members (side rails) with a corrugated bottom welded to the side rails or a solid sheet over rungs. The peaks of the corrugated bottom shall have a minimum flat cable bearing surface of 2³/₄" and shall be spaced on 6" centers.
- 2.07 Cable tray loading depth shall be [3] [4] [5] [6] inches per NEMA VE 1.
- 2.08 Straight sections shall be supplied in standard [12 foot] [10 foot (3 m)] lengths.
- 2.09 Cable tray widths shall be [6] [9] [12] [18] [24] [30] [36] inches or as shown on drawings.
- 2.10 Splice plates shall be L-shaped with 4 nuts and bolts per plate. The resistance of fixed splice connections between an adjacent section of tray shall not exceed 0.00033 ohm.
- 2.11 All fittings must have a minimum radius of [12] [24] inches.

Section 3- Loading Capacities and Testing

- 3.01 Cable tray shall be capable of carrying a uniformly distributed load of _____ lbs./ft. on a _____ ft. support span with a safety factor of 1.5 when supported as a simple span and tested per NEMA VE 1 5.2. Cable tray shall be made to manufacturing tolerances as specified by NEMA.
- 3.02 Upon request, manufacturer shall provide test reports in accordance with the latest revision of NEMA VE 1 or CSA C22.2 No. 126.

Series 1 Steel - Fittings



Fittings engineered with 3" tangents for splicing integrity.

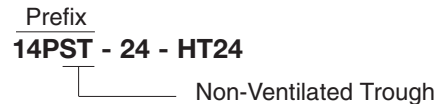
Series 1 Fittings

Fittings Part Numbering

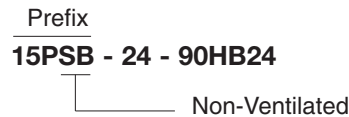
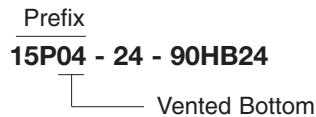
Prefix
Example: **1 4 P - 24 - 90 HB 24** (9" rung spacing is standard)

| Series | Height | Material | Width | Angle | Type | Radius |
|--------|--|---|--|--|---|--|
| 1 | <ul style="list-style-type: none"> ● 4 = 148 ● 5 = 156 ● 6 = 166 ● 7 = 176 | <ul style="list-style-type: none"> ● P = Pre-Galvanized ● G = HDGAF | <ul style="list-style-type: none"> ● 06 = 6" (152) ● 09 = 9" (228) ● 12 = 12" (305) ● 18 = 18" (457) ● 24 = 24" (609) ● 30 = 30" (762) ● 36 = 36" (914) | <ul style="list-style-type: none"> ● 30 = 30° ● 45 = 45° ● 60 = 60° ● 90 = 90° | <ul style="list-style-type: none"> ● HB = Horizontal Bend ● HT = Horizontal Tee ● HX = Horizontal Cross ● VI = Vertical Inside Bend ● VO = Vertical Outside Bend ● LR = Left Reducer ● RR = Right Reducer ● SR = Straight Reducer | <ul style="list-style-type: none"> ● 12 = 12" (305) ● 24 = 24" (609) ● 36 = 36" (914) |

For steel and aluminum 4" vented or solid trough add VT or ST as shown below.



For steel 5", 6", 7" vented or non-ventilated add 04 or SB as shown below.

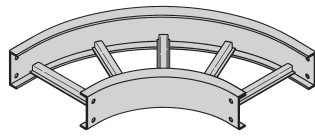


● Green = Fastest shipped items ● Black = Normal lead-time items ● Red = Normally long lead-time items

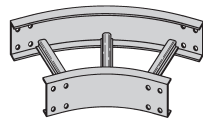
Series 1 Steel - Fittings

Horizontal Bends 90° 60° 45° 30° (HB)

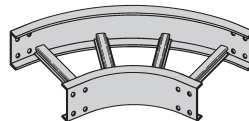
1 pair splice plates with hardware included.



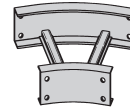
90° Horizontal Bend



45° Horizontal Bend

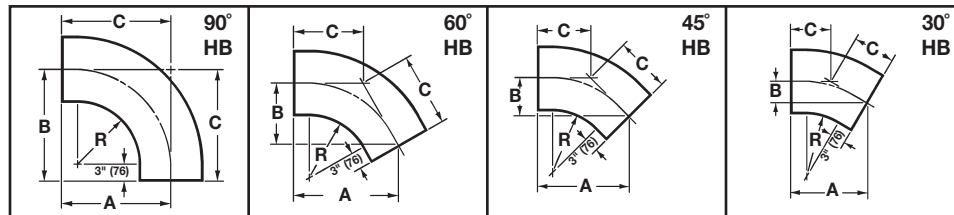


60° Horizontal Bend



30° Horizontal Bend

Bottoms manufactured:
 Ladder = 9" Rung Spacing
 VT & 04 = 4" Rung Spacing
 ST & SB = Flat sheet over
 12" Rung Spacing



| Bend Radius R | Tray Width | 90° Horizontal Bend Dimensions | | | | | | 60° Horizontal Bend Dimensions | | | | | | | | |
|---------------------|------------|--------------------------------|-----------------|----------|----------|----------|------|--------------------------------|----------|-----------------|----------|----------|----------|-----|-----|-----|
| | | Catalog No. | A | | B | | C | Catalog No. | A | | B | | C | | | |
| in. (mm) | in. (mm) | | in. (mm) | in. (mm) | in. (mm) | in. (mm) | | in. (mm) | in. (mm) | in. (mm) | in. (mm) | in. (mm) | in. (mm) | | | |
| 12 | 305 | 6 152 | (Pre)-06-90HB12 | 18 | 450 | 18 | 450 | 18 | 450 | (Pre)-06-60HB12 | 17½ | 445 | 10⅞ | 257 | 11⅞ | 297 |
| | | 9 228 | (Pre)-09-90HB12 | 19½ | 495 | 19½ | 495 | 19½ | 495 | (Pre)-09-60HB12 | 18⅞ | 478 | 10⅞ | 276 | 12½ | 318 |
| | | 12 305 | (Pre)-12-90HB12 | 21 | 533 | 21 | 533 | 21 | 533 | (Pre)-12-60HB12 | 20⅞ | 510 | 11⅞ | 295 | 13⅞ | 340 |
| | | 18 457 | (Pre)-18-90HB12 | 24 | 600 | 24 | 600 | 24 | 600 | (Pre)-18-60HB12 | 22⅞ | 576 | 13⅞ | 333 | 15⅞ | 384 |
| | | 24 609 | (Pre)-24-90HB12 | 27 | 686 | 27 | 686 | 27 | 686 | (Pre)-24-60HB12 | 25⅞ | 643 | 14⅞ | 372 | 16⅞ | 429 |
| | | 30 762 | (Pre)-30-90HB12 | 30 | 750 | 30 | 750 | 30 | 750 | (Pre)-30-60HB12 | 27⅞ | 708 | 16⅞ | 410 | 18⅞ | 472 |
| | | 36 914 | (Pre)-36-90HB12 | 33 | 838 | 33 | 838 | 33 | 838 | (Pre)-36-60HB12 | 30½ | 775 | 17⅞ | 448 | 20⅞ | 516 |
| 24 | 609 | 6 152 | (Pre)-06-90HB24 | 30 | 750 | 30 | 750 | 30 | 750 | (Pre)-06-60HB24 | 27⅞ | 708 | 16⅞ | 410 | 18⅞ | 472 |
| | | 9 228 | (Pre)-09-90HB24 | 31½ | 800 | 31½ | 800 | 31½ | 800 | (Pre)-09-60HB24 | 29⅞ | 741 | 16⅞ | 429 | 19⅞ | 494 |
| | | 12 305 | (Pre)-12-90HB24 | 33 | 838 | 33 | 838 | 33 | 838 | (Pre)-12-60HB24 | 30½ | 775 | 17⅞ | 448 | 20⅞ | 516 |
| | | 18 457 | (Pre)-18-90HB24 | 36 | 914 | 36 | 914 | 36 | 914 | (Pre)-18-60HB24 | 33⅞ | 840 | 19⅞ | 486 | 22⅞ | 560 |
| | | 24 609 | (Pre)-24-90HB24 | 39 | 991 | 39 | 991 | 39 | 991 | (Pre)-24-60HB24 | 35⅞ | 907 | 20⅞ | 524 | 23⅞ | 605 |
| | | 30 762 | (Pre)-30-90HB24 | 42 | 1067 | 42 | 1067 | 42 | 1067 | (Pre)-30-60HB24 | 38¼ | 972 | 22⅞ | 562 | 25½ | 648 |
| | | 36 914 | (Pre)-36-90HB24 | 45 | 1143 | 45 | 1143 | 45 | 1143 | (Pre)-36-60HB24 | 40⅞ | 1038 | 23⅞ | 600 | 27¼ | 692 |
| 45° Horizontal Bend | | | | | | | | 30° Horizontal Bend | | | | | | | | |
| 12 | 305 | 6 152 | (Pre)-06-45HB12 | 15¾ | 400 | 6½ | 165 | 9⅞ | 233 | (Pre)-06-30HB12 | 13⅞ | 333 | 3½ | 89 | 7 | 175 |
| | | 9 228 | (Pre)-09-45HB12 | 16⅞ | 427 | 6⅞ | 176 | 9⅞ | 249 | (Pre)-09-30HB12 | 13⅞ | 352 | 3⅞ | 94 | 7⅞ | 189 |
| | | 12 305 | (Pre)-12-45HB12 | 17⅞ | 454 | 7⅞ | 187 | 10⅞ | 265 | (Pre)-12-30HB12 | 14⅞ | 372 | 3⅞ | 100 | 7⅞ | 198 |
| | | 18 457 | (Pre)-18-45HB12 | 20 | 500 | 8¼ | 210 | 11⅞ | 297 | (Pre)-18-30HB12 | 16⅞ | 410 | 4⅞ | 135 | 8⅞ | 219 |
| | | 24 609 | (Pre)-24-45HB12 | 22⅞ | 560 | 9⅞ | 232 | 12⅞ | 329 | (Pre)-24-30HB12 | 17⅞ | 448 | 4⅞ | 119 | 9⅞ | 240 |
| | | 30 762 | (Pre)-30-45HB12 | 24⅞ | 614 | 10 | 250 | 14⅞ | 360 | (Pre)-30-30HB12 | 19⅞ | 486 | 5⅞ | 130 | 10¼ | 260 |
| | | 36 914 | (Pre)-36-45HB12 | 26⅞ | 668 | 10⅞ | 278 | 15⅞ | 392 | (Pre)-36-30HB12 | 20⅞ | 524 | 5½ | 140 | 11⅞ | 281 |
| 24 | 609 | 6 152 | (Pre)-06-45HB24 | 24⅞ | 614 | 10 | 250 | 14⅞ | 360 | (Pre)-06-30HB24 | 19⅞ | 486 | 5⅞ | 130 | 10¼ | 260 |
| | | 9 228 | (Pre)-09-45HB24 | 25¼ | 641 | 10½ | 267 | 14⅞ | 376 | (Pre)-09-30HB24 | 19⅞ | 505 | 5⅞ | 135 | 10⅞ | 270 |
| | | 12 305 | (Pre)-12-45HB24 | 26⅞ | 668 | 10⅞ | 278 | 15⅞ | 392 | (Pre)-12-30HB24 | 20⅞ | 524 | 5½ | 140 | 11⅞ | 281 |
| | | 18 457 | (Pre)-18-45HB24 | 28⅞ | 722 | 11⅞ | 300 | 16⅞ | 424 | (Pre)-18-30HB24 | 22⅞ | 562 | 5⅞ | 151 | 11⅞ | 300 |
| | | 24 609 | (Pre)-24-45HB24 | 30⅞ | 776 | 12⅞ | 322 | 17⅞ | 456 | (Pre)-24-30HB24 | 23⅞ | 600 | 6⅞ | 160 | 12⅞ | 321 |
| | | 30 762 | (Pre)-30-45HB24 | 32⅞ | 830 | 13⅞ | 345 | 19⅞ | 486 | (Pre)-30-30HB24 | 25⅞ | 638 | 6¾ | 172 | 13⅞ | 341 |
| | | 36 914 | (Pre)-36-45HB24 | 34⅞ | 884 | 14⅞ | 367 | 20⅞ | 518 | (Pre)-36-30HB24 | 26⅞ | 676 | 7⅞ | 181 | 14¼ | 362 |

(Pre) See page 216 for catalog number prefix. All dimensions in parentheses are millimeters unless otherwise specified. Width dimensions are to inside wall. Manufacturing tolerances apply to all dimensions.

Series 1 Fittings

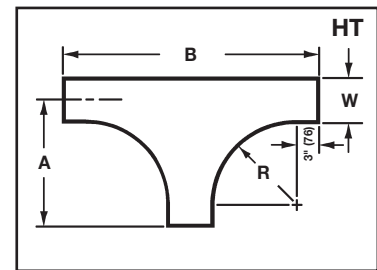
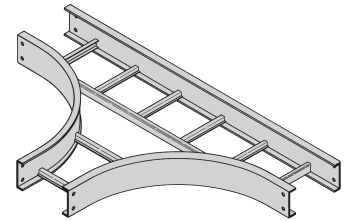
Series 1 Steel - Fittings

Horizontal Tee (HT)

2 pair splice plates with hardware included.

| Bend Radius R | Tray Width | | Horizontal Tee Dimensions | | | | | |
|------------------|------------|----|---------------------------|------------------|------|------|------|------|
| | | | Catalog No. | A | | B | | |
| | | | | in. | (mm) | in. | (mm) | |
| 12 | 305 | 6 | 152 | (Prefix)-06-HT12 | 18 | 457 | 36 | 914 |
| | | 9 | 228 | (Prefix)-09-HT12 | 19½ | 495 | 39 | 991 |
| | | 12 | 305 | (Prefix)-12-HT12 | 21 | 533 | 42 | 1067 |
| | | 18 | 457 | (Prefix)-18-HT12 | 24 | 610 | 48 | 1219 |
| | | 24 | 609 | (Prefix)-24-HT12 | 27 | 686 | 54 | 1372 |
| | | 30 | 762 | (Prefix)-30-HT12 | 30 | 762 | 60 | 1524 |
| | | 36 | 914 | (Prefix)-36-HT12 | 33 | 838 | 66 | 1676 |
| 24 | 609 | 6 | 152 | (Prefix)-06-HT24 | 30 | 762 | 60 | 1524 |
| | | 9 | 228 | (Prefix)-09-HT24 | 31½ | 800 | 63 | 1600 |
| | | 12 | 305 | (Prefix)-12-HT24 | 33 | 838 | 66 | 1676 |
| | | 18 | 457 | (Prefix)-18-HT24 | 36 | 914 | 72 | 1829 |
| | | 24 | 609 | (Prefix)-24-HT24 | 39 | 991 | 78 | 1981 |
| | | 30 | 762 | (Prefix)-30-HT24 | 42 | 1067 | 84 | 2134 |
| | | 36 | 914 | (Prefix)-36-HT24 | 45 | 1143 | 90 | 2286 |

(Prefix) See page 216 for catalog number prefix.

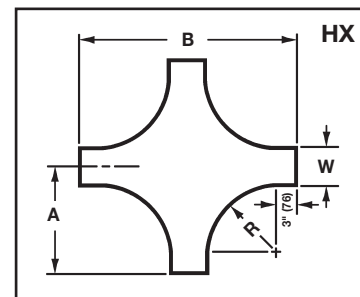
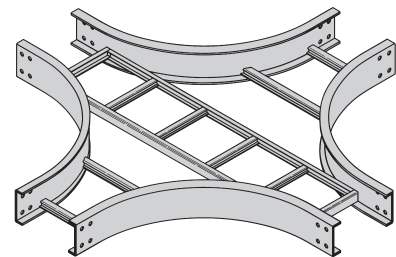


Horizontal Cross (HX)

3 pair splice plates with hardware included.

| Bend Radius R | Tray Width | | Horizontal Cross Dimensions | | | | | |
|------------------|------------|----|-----------------------------|------------------|------|------|------|------|
| | | | Catalog No. | A | | B | | |
| | | | | in. | (mm) | in. | (mm) | |
| 12 | 305 | 6 | 152 | (Prefix)-06-HX12 | 18 | 457 | 36 | 914 |
| | | 9 | 228 | (Prefix)-09-HX12 | 19½ | 495 | 39 | 991 |
| | | 12 | 305 | (Prefix)-12-HX12 | 21 | 533 | 42 | 1067 |
| | | 18 | 457 | (Prefix)-18-HX12 | 24 | 610 | 48 | 1219 |
| | | 24 | 609 | (Prefix)-24-HX12 | 27 | 686 | 54 | 1372 |
| | | 30 | 762 | (Prefix)-30-HX12 | 30 | 762 | 60 | 1524 |
| | | 36 | 914 | (Prefix)-36-HX12 | 33 | 838 | 66 | 1676 |
| 24 | 609 | 6 | 152 | (Prefix)-06-HX24 | 30 | 762 | 60 | 1524 |
| | | 9 | 228 | (Prefix)-09-HX24 | 31½ | 800 | 63 | 1600 |
| | | 12 | 305 | (Prefix)-12-HX24 | 33 | 838 | 66 | 1676 |
| | | 18 | 457 | (Prefix)-18-HX24 | 36 | 914 | 72 | 1829 |
| | | 24 | 609 | (Prefix)-24-HX24 | 39 | 991 | 78 | 1981 |
| | | 30 | 762 | (Prefix)-30-HX24 | 42 | 1067 | 84 | 2134 |
| | | 36 | 914 | (Prefix)-36-HX24 | 45 | 1143 | 90 | 2286 |

(Prefix) See page 216 for catalog number prefix.

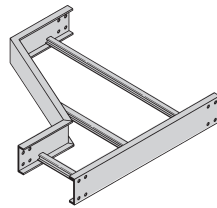
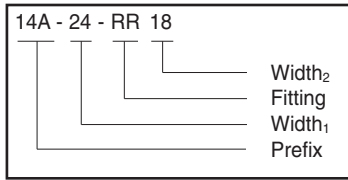


All dimensions in parentheses are millimeters unless otherwise specified.
Width dimensions are to inside wall. Manufacturing tolerances apply to all dimensions.

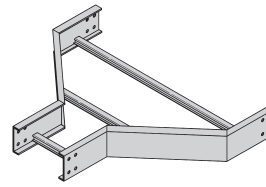
Reducers (LR, SR, RR)

1 pair splice plates with hardware included.

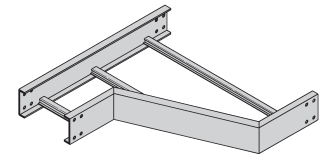
Reducer Part Numbering



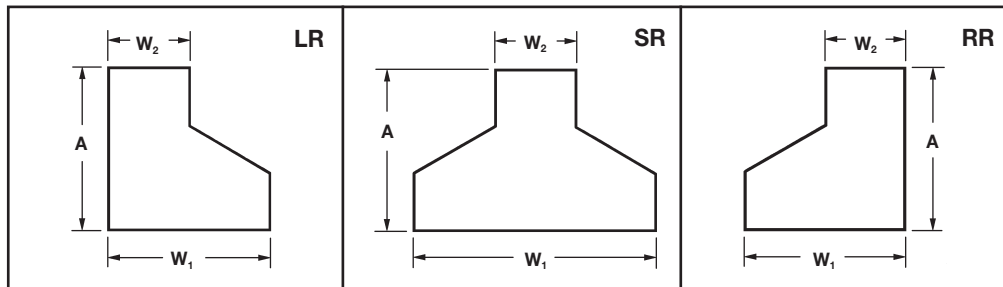
Left Reducer



Straight Reducer



Right Reducer



| Tray Width | | Left Hand Reducer | | Straight Reducer | | Right Hand Reducer | | | | |
|----------------|----------------|-------------------|----------------------------------|------------------|------------------|----------------------------------|------|------------------|----------------------------------|-----|
| W ₁ | W ₂ | Catalog No. | A | | Catalog No. | A | | | | |
| | | | in. | (mm) | | in. | (mm) | | | |
| 9 | 228 | (Prefix)-09-LR06 | 9 ³ / ₄ | 248 | (Prefix)-09-SR06 | 8 ⁷ / ₈ | 225 | (Prefix)-09-RR06 | 9 ³ / ₄ | 248 |
| 12 | 305 | (Prefix)-12-LR06 | 11 ¹ / ₂ | 292 | (Prefix)-12-SR06 | 9 ³ / ₄ | 248 | (Prefix)-12-RR06 | 11 ¹ / ₂ | 292 |
| | | (Prefix)-12-LR09 | 9 ³ / ₄ | 248 | (Prefix)-12-SR09 | 8 ⁷ / ₈ | 225 | (Prefix)-12-RR09 | 9 ³ / ₄ | 248 |
| 18 | 457 | (Prefix)-18-LR06 | 14 ¹⁵ / ₁₆ | 379 | (Prefix)-18-SR06 | 11 ¹ / ₂ | 292 | (Prefix)-18-RR06 | 14 ¹⁵ / ₁₆ | 379 |
| | | (Prefix)-18-LR09 | 13 ³ / ₁₆ | 340 | (Prefix)-18-SR09 | 10 ⁵ / ₈ | 270 | (Prefix)-18-RR09 | 13 ³ / ₁₆ | 340 |
| | | (Prefix)-18-LR12 | 11 ¹ / ₂ | 292 | (Prefix)-18-SR12 | 9 ³ / ₄ | 248 | (Prefix)-18-RR12 | 11 ¹ / ₂ | 292 |
| 24 | 609 | (Prefix)-24-LR06 | 18 ³ / ₈ | 467 | (Prefix)-24-SR06 | 13 ³ / ₁₆ | 340 | (Prefix)-24-RR06 | 18 ³ / ₈ | 467 |
| | | (Prefix)-24-LR09 | 16 ¹¹ / ₁₆ | 424 | (Prefix)-24-SR09 | 12 ³ / ₈ | 314 | (Prefix)-24-RR09 | 16 ¹¹ / ₁₆ | 424 |
| | | (Prefix)-24-LR12 | 14 ¹⁵ / ₁₆ | 379 | (Prefix)-24-SR12 | 11 ¹ / ₂ | 292 | (Prefix)-24-RR12 | 14 ¹⁵ / ₁₆ | 379 |
| | | (Prefix)-24-LR18 | 11 ¹ / ₂ | 292 | (Prefix)-24-SR18 | 9 ³ / ₄ | 248 | (Prefix)-24-RR18 | 11 ¹ / ₂ | 292 |
| 30 | 762 | (Prefix)-30-LR06 | 21 ⁷ / ₈ | 555 | (Prefix)-30-SR06 | 14 ¹⁵ / ₁₆ | 380 | (Prefix)-30-RR06 | 21 ⁷ / ₈ | 555 |
| | | (Prefix)-30-LR09 | 20 ¹ / ₈ | 511 | (Prefix)-30-SR09 | 14 ¹ / ₁₆ | 358 | (Prefix)-30-RR09 | 20 ¹ / ₈ | 511 |
| | | (Prefix)-30-LR12 | 18 ³ / ₈ | 462 | (Prefix)-30-SR12 | 13 ³ / ₁₆ | 335 | (Prefix)-30-RR12 | 18 ³ / ₈ | 462 |
| | | (Prefix)-30-LR18 | 14 ¹⁵ / ₁₆ | 380 | (Prefix)-30-SR18 | 11 ¹ / ₂ | 292 | (Prefix)-30-RR18 | 14 ¹⁵ / ₁₆ | 380 |
| | | (Prefix)-30-LR24 | 11 ¹ / ₂ | 292 | (Prefix)-30-SR24 | 9 ³ / ₄ | 248 | (Prefix)-30-RR24 | 11 ¹ / ₂ | 292 |
| 36 | 914 | (Prefix)-36-LR06 | 25 ⁵ / ₁₆ | 643 | (Prefix)-36-SR06 | 16 ¹¹ / ₁₆ | 424 | (Prefix)-36-RR06 | 25 ⁵ / ₁₆ | 643 |
| | | (Prefix)-36-LR09 | 23 ⁹ / ₁₆ | 598 | (Prefix)-36-SR09 | 15 ¹³ / ₁₆ | 402 | (Prefix)-36-RR09 | 23 ⁹ / ₁₆ | 598 |
| | | (Prefix)-36-LR12 | 21 ⁷ / ₈ | 555 | (Prefix)-36-SR12 | 14 ¹⁵ / ₁₆ | 380 | (Prefix)-36-RR12 | 21 ⁷ / ₈ | 555 |
| | | (Prefix)-36-LR18 | 18 ³ / ₈ | 462 | (Prefix)-36-SR18 | 13 ³ / ₁₆ | 335 | (Prefix)-36-RR18 | 18 ³ / ₈ | 462 |
| | | (Prefix)-36-LR24 | 14 ¹⁵ / ₁₆ | 380 | (Prefix)-36-SR24 | 11 ¹ / ₂ | 292 | (Prefix)-36-RR24 | 14 ¹⁵ / ₁₆ | 380 |
| | | (Prefix)-36-LR30 | 11 ¹ / ₂ | 292 | (Prefix)-36-SR30 | 9 ³ / ₄ | 248 | (Prefix)-36-RR30 | 11 ¹ / ₂ | 292 |

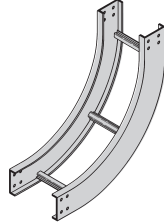
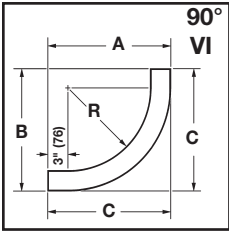
(Prefix) See page 216 for catalog number prefix.

All dimensions in parentheses are millimeters unless otherwise specified.
Width dimensions are to inside wall. Manufacturing tolerances apply to all dimensions.

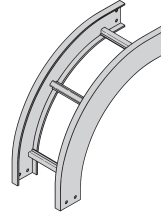
Series 1 Steel - Fittings

Vertical Bend 90° (VO, VI)

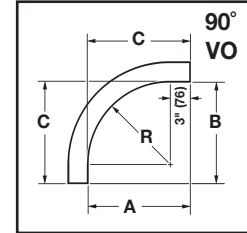
1 pair splice plates with hardware included.



90° Vertical Inside



90° Vertical Outside



| VO Dimensions All Series 1 | | | |
|-------------------------------|--------------|--------------|--------------|
| Bend Radius R | A | B | C |
| 90° Vertical Bend | | | |
| 12" (305) | 15" (381) | 15" (381) | 15" (381) |
| 24" (609) | 27" (686) | 27" (686) | 27" (686) |

| 90° Vertical Inside Bend | | | | | | | | | | | | | | | |
|--------------------------|-------|------------------|-----------------------------------|-----------------------------------|-----------------------------------|-----------------------------------|-----------------------------------|-----------------------------------|-----------------------------------|-----------------------------------|-----------------------------------|-----------------------------------|-----------------------------------|-----------------------------------|--|
| Bend Radius R | Width | Catalog No. | VI Dimensions | | | | | | | | | | | | |
| | | | Series 14 Steel | | | Series 15 Steel | | | Series 16 Steel | | | Series 17 Steel | | | |
| | | | A | B | C | A | B | C | A | B | C | A | B | C | |
| 12 | 305 | (Pre)-06-90(*)12 | | | | | | | | | | | | | |
| | | (Pre)-09-90(*)12 | | | | | | | | | | | | | |
| | | (Pre)-12-90(*)12 | 18 ⁷ / ₁₆ " | 18 ⁷ / ₁₆ " | 18 ⁷ / ₁₆ " | 19 ³ / ₁₆ " | 19 ³ / ₁₆ " | 19 ³ / ₁₆ " | 20 ³ / ₁₆ " | 20 ³ / ₁₆ " | 20 ³ / ₁₆ " | 21 ³ / ₁₆ " | 21 ³ / ₁₆ " | 21 ³ / ₁₆ " | |
| | | (Pre)-18-90(*)12 | (468) | (468) | (468) | (487) | (487) | (487) | (513) | (513) | (513) | (538) | (538) | (538) | |
| | | (Pre)-24-90(*)12 | | | | | | | | | | | | | |
| | | (Pre)-30-90(*)12 | | | | | | | | | | | | | |
| 24 | 609 | (Pre)-36-90(*)12 | | | | | | | | | | | | | |
| | | (Pre)-06-90(*)24 | | | | | | | | | | | | | |
| | | (Pre)-09-90(*)24 | | | | | | | | | | | | | |
| | | (Pre)-12-90(*)24 | 30 ⁷ / ₁₆ " | 30 ⁷ / ₁₆ " | 30 ⁷ / ₁₆ " | 31 ³ / ₁₆ " | 31 ³ / ₁₆ " | 31 ³ / ₁₆ " | 32 ³ / ₁₆ " | 32 ³ / ₁₆ " | 32 ³ / ₁₆ " | 33 ³ / ₁₆ " | 33 ³ / ₁₆ " | 33 ³ / ₁₆ " | |
| | | (Pre)-18-90(*)24 | (773) | (773) | (773) | (792) | (792) | (792) | (817) | (817) | (817) | (843) | (843) | (843) | |
| | | (Pre)-24-90(*)24 | | | | | | | | | | | | | |
| (Pre)-30-90(*)24 | | | | | | | | | | | | | | | |
| (Pre)-36-90(*)24 | | | | | | | | | | | | | | | |

(Pre) See page 216 for catalog number prefix.

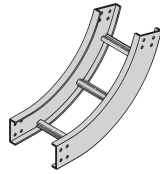
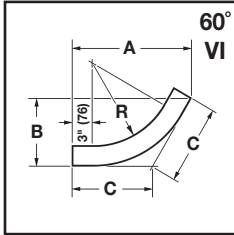
(*) = Insert VI for Vertical Inside Bend. Insert VO for Vertical Outside Bend.

All dimensions in parentheses are millimeters unless otherwise specified.

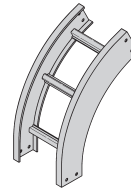
Manufacturing tolerances apply to all dimensions.

Vertical Bend 60° (VO, VI)

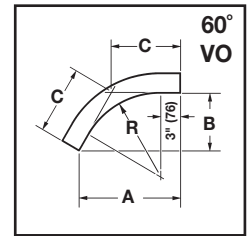
1 pair splice plates with hardware included.



60° Vertical Inside



60° Vertical Outside



| VO Dimensions All Series 1 | | | |
|-------------------------------|--|---|--|
| Bend Radius R | A | B | C |
| 60° Vertical Bend | | | |
| 12" (305) | 14 ⁷ / ₈ " (378) | 8 ⁵ / ₈ " (219) | 9 ¹⁵ / ₁₆ " (252) |
| 24" (609) | 25 ⁵ / ₁₆ " (643) | 14 ⁵ / ₈ " (371) | 16 ⁷ / ₈ " (428) |

| 60° Vertical Inside Bend | | | | | | | | | | | | | | | | |
|--------------------------|-----|------------------|-----|------------------|-----------------------------------|-----------------------------------|------------------------------------|------------------------------------|------------------------------------|----------------------------------|----------------------------------|-----------------------------------|------------------------------------|----------------------------------|------------------------------------|-----------------------------------|
| Bend Radius R | | Tray Width | | Catalog No. | VI Dimensions | | | | | | | | | | | |
| | | | | | Series 14 Steel | | | Series 15 Steel | | | Series 16 Steel | | | Series 17 Steel | | |
| | | | | | A | B | C | A | B | C | A | B | C | A | B | C |
| 12 | 305 | 6 | 152 | (Pre)-06-60(*)12 | | | | | | | | | | | | |
| | | 9 | 228 | (Pre)-09-60(*)12 | | | | | | | | | | | | |
| | | 12 | 305 | (Pre)-12-60(*)12 | 18 ¹ / ₁₆ " | 10 ⁷ / ₁₆ " | 12" | 18 ¹ / ₂ " | 10 ¹¹ / ₁₆ " | 12 ³ / ₈ " | 19 ³ / ₈ " | 11 ³ / ₁₆ " | 12 ¹⁵ / ₁₆ " | 20 ¹ / ₄ " | 11 ¹¹ / ₁₆ " | 13 ¹ / ₂ " |
| | | 18 | 457 | (Pre)-18-60(*)12 | (459) | (265) | (305) | (470) | (271) | (314) | (492) | (284) | (328) | (514) | (297) | (343) |
| | | 24 | 609 | (Pre)-24-60(*)12 | | | | | | | | | | | | |
| | | 30 | 762 | (Pre)-30-60(*)12 | | | | | | | | | | | | |
| 24 | 609 | 6 | 152 | (Pre)-06-60(*)24 | | | | | | | | | | | | |
| | | 9 | 228 | (Pre)-09-60(*)24 | | | | | | | | | | | | |
| | | 12 | 305 | (Pre)-12-60(*)24 | 28 ⁷ / ₁₆ " | 16 ⁷ / ₁₆ " | 18 ¹⁵ / ₁₆ " | 28 ¹⁵ / ₁₆ " | 16 ¹¹ / ₁₆ " | 19 ¹ / ₄ " | 29 ³ / ₄ " | 17 ³ / ₁₆ " | 19 ⁷ / ₈ " | 30 ⁵ / ₈ " | 17 ¹¹ / ₁₆ " | 20 ⁷ / ₁₆ " |
| | | 18 | 457 | (Pre)-18-60(*)24 | (722) | (417) | (481) | (735) | (424) | (489) | (755) | (436) | (505) | (778) | (449) | (519) |
| | | 24 | 609 | (Pre)-24-60(*)24 | | | | | | | | | | | | |
| | | 30 | 762 | (Pre)-30-60(*)24 | | | | | | | | | | | | |
| 36 | 914 | (Pre)-36-60(*)24 | | | | | | | | | | | | | | |

(Pre) See page 216 for catalog number prefix.

(*) = Insert VI for Vertical Inside Bend. Insert VO for Vertical Outside Bend.

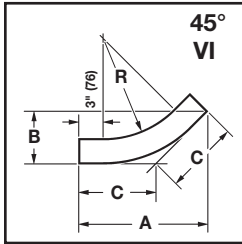
All dimensions in parentheses are millimeters unless otherwise specified.

Manufacturing tolerances apply to all dimensions.

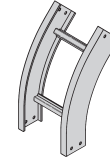
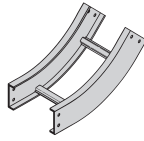
Series 1 Steel - Fittings

Vertical Bend 45° (VO, VI)

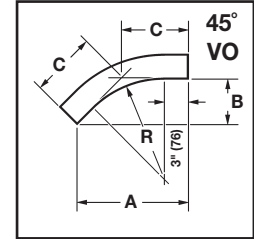
1 pair splice plates with hardware included.



45° Vertical Inside



45° Vertical Outside



| VO Dimensions All Series 1 | | | |
|-------------------------------|--|--|---|
| Bend Radius R | A | B | C |
| 45° Vertical Bend | | | |
| 12" (305) | 13 ⁵ / ₈ " (346) | 5 ⁵ / ₈ " (143) | 8" (203) |
| 24" (609) | 22 ¹ / ₁₆ " (560) | 9 ¹ / ₈ " (232) | 12 ¹⁵ / ₁₆ " (328) |

Series 1 Fittings

| 45° Vertical Inside Bend | | | | | | | | | | | | | | | | |
|--------------------------|------------|------------------|-------------|------------------|------------------------------------|-----------------------------------|-----------------------------------|-----------------------------------|----------------------------------|------------------------------------|----------------------------------|------------------------------------|-----------------------------------|----------------------------------|----------------------------------|-----------------------------------|
| Bend Radius R | Tray Width | | Catalog No. | VI Dimensions | | | | | | | | | | | | |
| | | | | Series 14 Steel | | | Series 15 Steel | | | Series 16 Steel | | | Series 17 Steel | | | |
| | | | | A | B | C | A | B | C | A | B | C | A | B | C | |
| 12 | 305 | 6 | 152 | (Pre)-06-45(*)12 | | | | | | | | | | | | |
| | | 9 | 228 | (Pre)-09-45(*)12 | | | | | | | | | | | | |
| | | 12 | 305 | (Pre)-12-45(*)12 | 16 ³ / ₁₆ " | 6 ¹¹ / ₁₆ " | 9 ¹ / ₂ " | 16 ⁹ / ₁₆ " | 6 ⁷ / ₈ " | 9 ¹¹ / ₁₆ " | 17 ¹ / ₄ " | 7 ³ / ₁₆ " | 10 ¹ / ₈ " | 18" | 7 ⁷ / ₁₆ " | 10 ⁹ / ₁₆ " |
| | | 18 | 457 | (Pre)-18-45(*)12 | | | | | | | | | | | | |
| | | 24 | 609 | (Pre)-24-45(*)12 | (411) | (170) | (241) | (420) | (174) | (246) | (438) | (182) | (257) | (457) | (189) | (268) |
| | | 30 | 762 | (Pre)-30-45(*)12 | | | | | | | | | | | | |
| 24 | 609 | 6 | 152 | (Pre)-06-45(*)24 | | | | | | | | | | | | |
| | | 9 | 228 | (Pre)-09-45(*)24 | | | | | | | | | | | | |
| | | 12 | 305 | (Pre)-12-45(*)24 | 24 ¹¹ / ₁₆ " | 10 ³ / ₁₆ " | 14 ⁷ / ₁₆ " | 25 ¹ / ₁₆ " | 10 ³ / ₈ " | 11 ¹⁴ / ₁₆ " | 25 ³ / ₄ " | 10 ¹¹ / ₁₆ " | 15 ¹ / ₁₆ " | 26 ¹ / ₂ " | 11" | 15 ¹ / ₂ " |
| | | 18 | 457 | (Pre)-18-45(*)24 | | | | | | | | | | | | |
| | | 24 | 609 | (Pre)-24-45(*)24 | (627) | (259) | (367) | (662) | (263) | (373) | (654) | (271) | (382) | (673) | (279) | (394) |
| | | 30 | 762 | (Pre)-30-45(*)24 | | | | | | | | | | | | |
| 36 | 914 | (Pre)-36-45(*)24 | | | | | | | | | | | | | | |

(Pre) See page 216 for catalog number prefix.

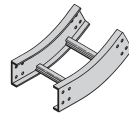
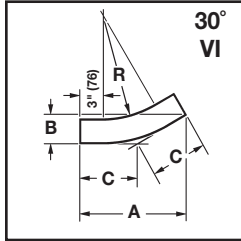
(*) = Insert VI for Vertical Inside Bend. Insert VO for Vertical Outside Bend.

All dimensions in parentheses are millimeters unless otherwise specified.

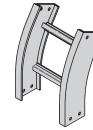
Manufacturing tolerances apply to all dimensions.

Vertical Bend 30° (VO, VI)

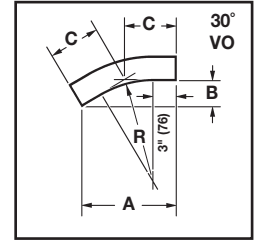
1 pair splice plates with hardware included.



30° Vertical Inside



30° Vertical Outside



| VO Dimensions All Series 1 | | | |
|-------------------------------|---|--|---|
| Bend Radius R | A | B | C |
| 30° Vertical Bend | | | |
| 12" (305) | 11 ⁵ / ₈ " (295) | 3 ¹ / ₈ " (79) | 6 ³ / ₁₆ " (157) |
| 24" (609) | 17 ⁵ / ₈ " (448) | 4 ¹¹ / ₁₆ " (119) | 9 ⁷ / ₁₆ " (240) |

| 30° Vertical Inside Bend | | | | | | | | | | | | | | | | |
|--------------------------|------|------------|------|------------------|-----------------------------------|----------------------------------|-----------------------------------|------------------------------------|-----------------------------------|-----------------------------------|-----------------------------------|-----------------------------------|------------------------------------|------------------------------------|-----------------------------------|-----------------------------------|
| Bend Radius R | | Tray Width | | Catalog No. | VI Dimensions | | | | | | | | | | | |
| | | | | | Series 14 Steel | | | Series 15 Steel | | | Series 16 Steel | | | Series 17 Steel | | |
| | | | | | A | B | C | A | B | C | A | B | C | A | B | C |
| in. | (mm) | n. | (mm) | | | | | | | | | | | | | |
| 12 | 305 | 6 | 152 | (Pre)-06-30(*)12 | | | | | | | | | | | | |
| | | 9 | 228 | (Pre)-09-30(*)12 | | | | | | | | | | | | |
| | | 12 | 305 | (Pre)-12-30(*)12 | 13 ⁷ / ₁₆ " | 3 ⁵ / ₈ " | 7 ³ / ₁₆ " | 13 ¹¹ / ₁₆ " | 3 ¹¹ / ₁₆ " | 7 ⁵ / ₁₆ " | 14 ³ / ₁₆ " | 3 ¹³ / ₁₆ " | 7 ⁵ / ₈ " | 14 ¹¹ / ₁₆ " | 3 ¹⁵ / ₁₆ " | 7 ⁷ / ₈ " |
| | | 18 | 457 | (Pre)-18-30(*)12 | | | | | | | | | | | | |
| | | 24 | 609 | (Pre)-24-30(*)12 | (341) | (92) | (182) | (347) | (93) | (186.2) | (360) | (97) | (193) | (373) | (100) | (200) |
| | | 30 | 762 | (Pre)-30-30(*)12 | | | | | | | | | | | | |
| | | 36 | 914 | (Pre)-36-30(*)12 | | | | | | | | | | | | |
| 24 | 609 | 6 | 152 | (Pre)-06-30(*)24 | | | | | | | | | | | | |
| | | 9 | 228 | (Pre)-09-30(*)24 | | | | | | | | | | | | |
| | | 12 | 305 | (Pre)-12-30(*)24 | 19 ⁷ / ₁₆ " | 5 ³ / ₁₆ " | 10 ⁷ / ₁₆ " | 19 ¹¹ / ₁₆ " | 5 ⁵ / ₁₆ " | 10 ⁹ / ₁₆ " | 20 ³ / ₁₆ " | 5 ⁷ / ₁₆ " | 10 ¹³ / ₁₆ " | 20 ¹¹ / ₁₆ " | 5 ⁹ / ₁₆ " | 11 ¹ / ₁₆ " |
| | | 18 | 457 | (Pre)-18-30(*)24 | | | | | | | | | | | | |
| | | 24 | 609 | (Pre)-24-30(*)24 | (494) | (132) | (265) | (500) | (135) | (268) | (513) | (138) | (274) | (525) | (141) | (281) |
| | | 30 | 762 | (Pre)-30-30(*)24 | | | | | | | | | | | | |
| | | 36 | 914 | (Pre)-36-30(*)24 | | | | | | | | | | | | |

(Pre) See page 216 for catalog number prefix.

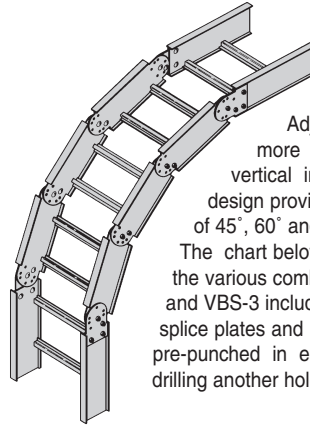
(*) = Insert VI for Vertical Inside Bend. Insert VO for Vertical Outside Bend.

All dimensions in parentheses are millimeters unless otherwise specified.

Manufacturing tolerances apply to all dimensions.

Series 1 Steel - Fittings

Vertical Bend Segments (VBS)



Available for **148P** and **148G** only.

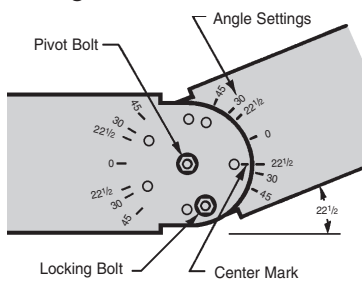
Adjustable Vertical Bends are made up of one or more vertical bend segments and can be used as a vertical inside (VI) or vertical outside (VO) bend. This design provides for vertical changes in direction with angles of 45°, 60° and 90° for 12" (305 mm) or 24" (609 mm) radius. The chart below shows the number of segments required for the various combinations of angles and radii. The VBS-1, VBS-2 and VBS-3 include one, two or three segments respectively with splice plates and hardware. Holes for setting standard angles are pre-punched in each segment. Other angles can be set by field drilling another hole for the locking bolt.

| Nominal Bend Radius | | Catalog No. | Dimensions | | | | | | | | | | | |
|---------------------------------------|------|-----------------|------------|-----|------|-----|------|-----|------|-----|------|-----|------|-----|
| | | | VO | | | | | | VI | | | | | |
| | | | A | | B | | R | | A | | B | | R | |
| in. | (mm) | in. | (mm) | in. | (mm) | in. | (mm) | in. | (mm) | in. | (mm) | in. | (mm) | |
| 90° Vertical Inside or Outside | | | | | | | | | | | | | | |
| 12 | 305 | 14(*)†(‡)-VBS-1 | 8¼ | 210 | 8¼ | 210 | 6½ | 165 | 12½ | 303 | 12½ | 303 | 10½ | 267 |
| 24 | 609 | 14(*)†(‡)-VBS-3 | 24 | 610 | 24 | 610 | 22¼ | 565 | 27⅞ | 708 | 27⅞ | 708 | 26¼ | 667 |
| 60° Vertical Inside or Outside | | | | | | | | | | | | | | |
| 12 | 305 | 14(*)†(‡)-VBS-1 | 11¾ | 298 | 6½ | 165 | 12 | 305 | 14¾ | 375 | 8½ | 216 | 16 | 406 |
| 24 | 609 | 14(*)†(‡)-VBS-2 | 11¾ | 298 | 6½ | 165 | 12 | 305 | 14¾ | 375 | 8½ | 216 | 16 | 406 |
| 45° Vertical Inside or Outside | | | | | | | | | | | | | | |
| 12 | 305 | 14(*)†(‡)-VBS-1 | 12¾ | 324 | 5¼ | 133 | 17⅞ | 435 | 15½ | 394 | 6⅞ | 175 | 21 | 540 |
| 24 | 609 | 14(*)†(‡)-VBS-1 | 12¾ | 324 | 5¼ | 133 | 17⅞ | 435 | 15½ | 394 | 6⅞ | 175 | 21 | 540 |

Notes:

- (*) Insert material type: P=Pre Galvanized, G=HDGAF
- (†) Contact home office for information on Ventilated Trough and Solid Trough availability
- (‡) Insert width 6, 9, 12, 18, 24, 30, 36

Fitting Hole Pattern



Setting the Angle

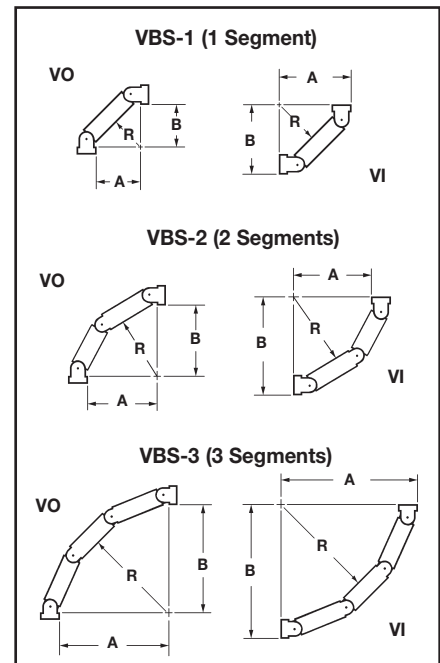
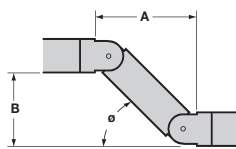
To find correct angle setting, divide angle of offset by the number of segments plus one. The result is equal to the angle setting stamped on the vertical bend segment and the splice plate. After inserting center pivot bolt, align the mark at the end of the segment or splice plate with the angle and insert locking bolt in the pre-punched hole.

Example: 90° bend, 24" radius requires 3 segments
 3 segments + 1 = 4
 90° divided by 4 = 22½°
 Set all vertical segments at 22½°

Offset Dimensions

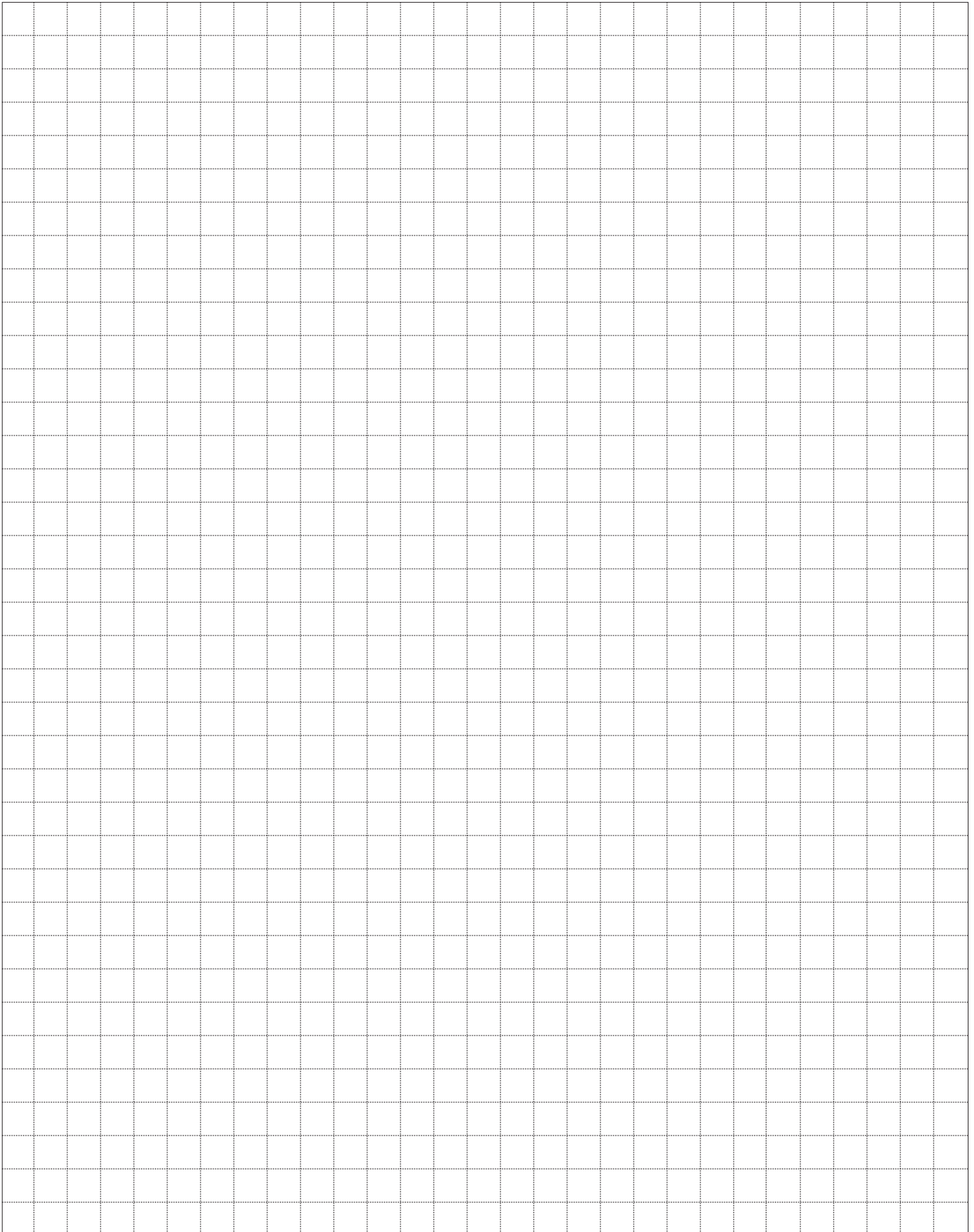
One vertical bend segment can be used to complete a vertical offset. Offset dimensions are shown.

| Angle θ | A | | B | |
|----------------|-----|------|-----|------|
| | in. | (mm) | in. | (mm) |
| 45° | 12 | 305 | 8½ | 216 |
| 30° | 14 | 355 | 5¾ | 146 |
| 22½° | 14¼ | 362 | 5 | 127 |



All dimensions in parentheses are millimeters unless otherwise specified.

● Green = Fastest shipped items ● Black = Normal lead-time items ● Red = Normally long lead-time items

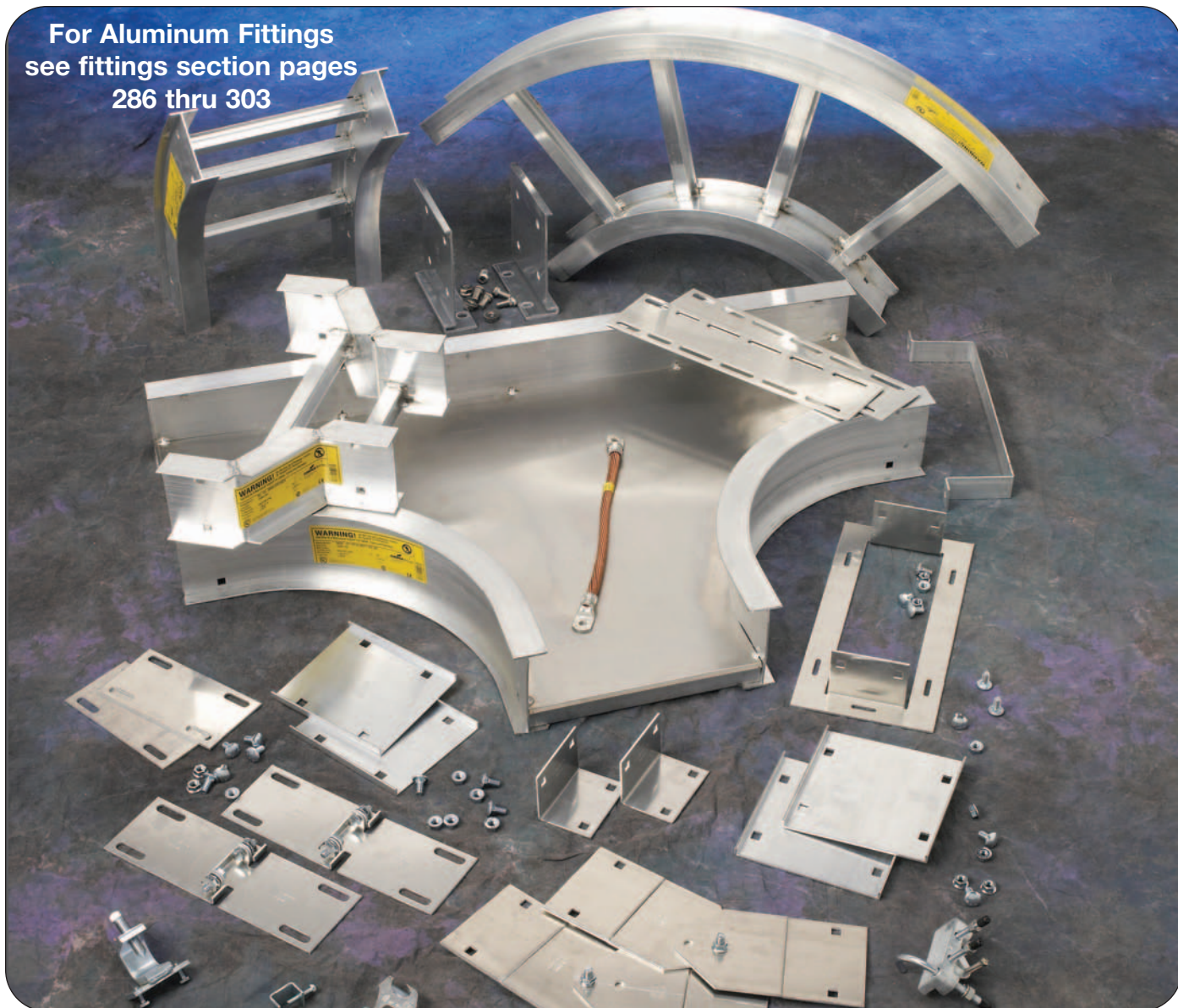


Series 2, 3, 4, & 5 Aluminum



Series 2, 3, 4, & 5 Aluminum

For Aluminum Fittings
see fittings section pages
286 thru 303



How The Service Advisor Works

B-Line knows that your time is important! That's why the color-coding system in this catalog is designed to help you select products that fit your service needs. Products are marked to indicate the typical lead time for orders of 50 pieces or less.

Customer: How do I select my straight sections, covers, or fittings so that I get the quickest turnaround?

Customer: How do I select my straight sections, covers, or fittings so that I get the quickest turnaround?

Service Advisor: Each part of our selection chart is shown in colors. If any section of a part number is a different color, the part will typically ship with the longer lead time represented by the colors.

- Green = Fastest shipped items
- Black = Normal lead-time items
- Red = Normally long lead-time items

Example: 34A VT - 24 - 144
 ● ● ● ●

Part will have a normal lead time because of the VT bottom type.

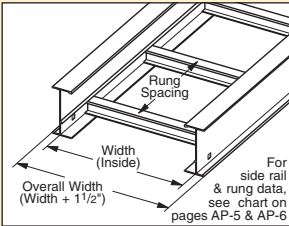
Series 2, 3, 4, & 5 Aluminum - Straight Sections

3" NEMA VE 1 Loading Depth
4" Side Rail Height

Straight Section Part Numbering

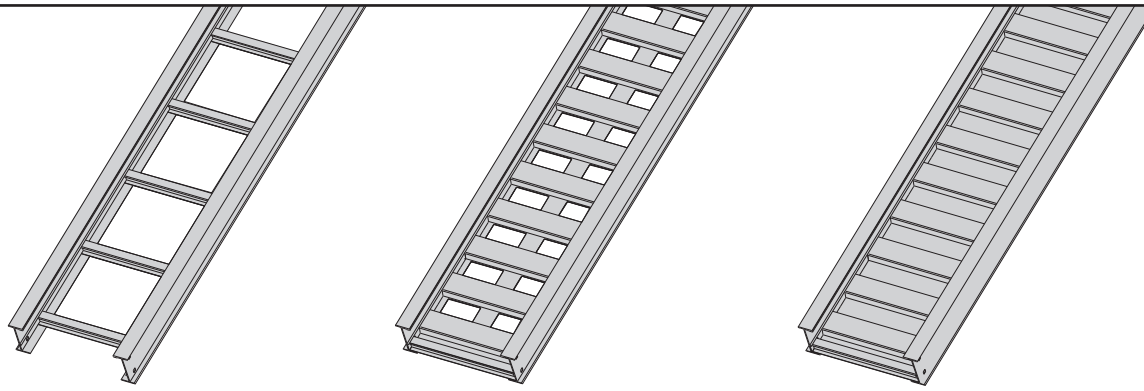
Prefix
Example: **24 A 09 - 24 - 144**

| Series | Material | *Type | *Width | Length |
|--------|----------------|------------------------------|------------|---------------------|
| ● 24 | ● A = Aluminum | Ladder- | ● 06 = 6" | ● ① 144 = 12 ft. 24 |
| ● 34 | | ● 06 = 6" rung spacing | ● 09 = 9" | ● ② 120 = 10 ft. |
| | | ● 09 = 9" rung spacing | ● 12 = 12" | ● ① 240 = 20 ft. 34 |
| | | ● 12 = 12" rung spacing | ● 18 = 18" | ● ② 144 = 12 ft. |
| | | Trough- | ● 24 = 24" | |
| | | 6" thru 36" wide | ● 30 = 30" | |
| | | ● VT = Vented Trough | ● 36 = 36" | |
| | | ● ST = Non-Ventilated Trough | | |



① Primary Length.
② Secondary Length.
See page 39 for explanation of lengths.

See page 362 for additional rung options. *Special sizes available.



Ladder Type
(Specify Rung Spacing)

Ventilated Trough

Non-Ventilated Trough

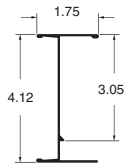
● Green = Fastest shipped items ● Black = Normal lead-time items ● Red = Normally long lead-time items

Series 2, 3, 4, & 5 Aluminum - Straight Sections

3" NEMA VE 1 Loading Depth 4" Side Rail Height

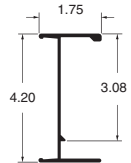
Values are based on simple beam tests per NEMA VE 1 on 36" wide cable tray with rungs spaced on 12" centers. Cable trays will support without collapse a 200 lb. (90.7 kg) concentrated load over and above published loads. Published load safety factor is 1.5. To convert 1.5 safety factor to 2.0, multiply the published load by 0.75. To obtain mid-span deflection, multiply a load by the deflection multiplier. Cable tray must be supported on spans shorter than or equal to the length of the cable tray being installed.

Individual rungs will support without collapse a 200 lb. (90.7 kg) concentrated load applied at the mid-span of the rung, over and above the NEMA rated cable load with a 1.5 safety factor for highlighted NEMA spans and loads. See table on page 367 for rung capacities.

| B-Line Series | Side Rail Dimensions | NEMA, CSA & UL Classifications | Span ft | Load lbs/ft | Deflection Multiplier | Design Factors for Two Rails | Span meters | Load kg/m | Deflection Multiplier | Design Factors for Two Rails |
|---------------|---|--|---------|-------------|-----------------------|---|-------------|-----------|-----------------------|--|
| 24 |  | NEMA: 16A, 12C CSA: D1-3m UL Cross-Sectional Area: 1.00 in ² | 6 | 487* | 0.001 | Area=1.05 in ² Sx=1.34 in ³ Ix=2.85 in ⁴ | 1.8 | 725* | 0.017 | Area=6.77 cm ² Sx=21.96 cm ³ Ix=118.63 cm ⁴ |
| | | | 8 | 284 | 0.003 | | 2.4 | 422 | 0.055 | |
| | | | 10 | 181 | 0.008 | | 3.0 | 270 | 0.135 | |
| | | | 12 | 126 | 0.016 | | 3.7 | 187 | 0.279 | |
| | | | 14 | 93 | 0.030 | | 4.3 | 138 | 0.518 | |
| | | | 16 | 71 | 0.052 | | 4.9 | 105 | 0.883 | |

When trays are used in continuous spans, the deflection of the tray is reduced by as much as 50%. Design factors: Ix = Moment of Inertia, Sx = Section Modulus.

* When using 18" rung spacing, load capacity is limited to 394 lbs/ft (586.27 kg/m) for 30" tray width and 325 lbs/ft (483.6 kg/m) for 36" tray width.

| B-Line Series | Side Rail Dimensions | NEMA, CSA & UL Classifications | Span ft | Load lbs/ft | Deflection Multiplier | Design Factors for Two Rails | Span meters | Load kg/m | Deflection Multiplier | Design Factors for Two Rails |
|---------------|---|---|---------|-------------|-----------------------|---|-------------|-----------|-----------------------|---|
| 34 |  | NEMA: 20B, 16C CSA: E-6m UL Cross-Sectional Area: 1.50 in ² | 10 | 320 | 0.005 | Area=1.82 in ² Sx=2.10 in ³ Ix=4.98 in ⁴ | 3.0 | 476 | 0.077 | Area=11.74 cm ² Sx=34.41 cm ³ Ix=207.28 cm ⁴ |
| | | | 12 | 222 | 0.009 | | 3.7 | 331 | 0.160 | |
| | | | 14 | 163 | 0.017 | | 4.3 | 243 | 0.296 | |
| | | | 16 | 125 | 0.030 | | 4.9 | 186 | 0.505 | |
| | | | 18 | 99 | 0.047 | | 5.5 | 147 | 0.810 | |
| | | | 20 | 80 | 0.072 | | 6.1 | 119 | 1.234 | |

When trays are used in continuous spans, the deflection of the tray is reduced by as much as 50%. Design factors: Ix = Moment of Inertia, Sx = Section Modulus.

Series 2, 3, 4, & 5 Aluminum - Straight Sections

4" NEMA VE 1 Loading Depth
5" Side Rail Height

Straight Section Part Numbering

Prefix

Example: 25 A 09 - 24 - 144

Series

- 25
- 35

Material

- A = Aluminum

*Type

Ladder-

- 06 = 6" rung spacing
- 09 = 9" rung spacing
- 12 = 12" rung spacing

Trough-

6" thru 36" wide

- VT = Vented Trough
- ST = Non-Ventilated Trough

*Width

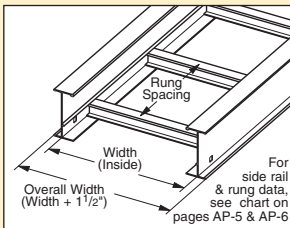
- 06 = 6"
- 09 = 9"
- 12 = 12"
- 18 = 18"
- 24 = 24"
- 30 = 30"
- 36 = 36"

Length

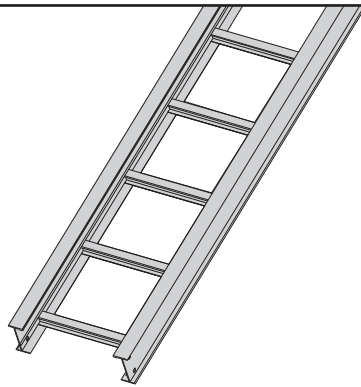
- | | |
|------------------|----|
| ● ① 144 = 12 ft. | 25 |
| ● ② 240 = 20 ft. | |
| ● ① 240 = 20 ft. | 35 |
| ● ② 144 = 12 ft. | |

① Primary Length.
② Secondary Length.

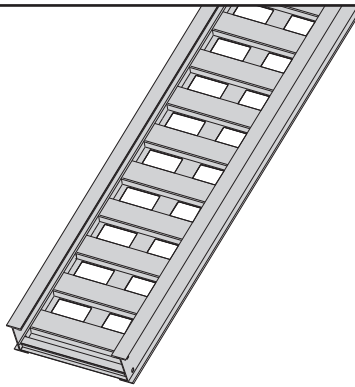
See page 39 for explanation of lengths.



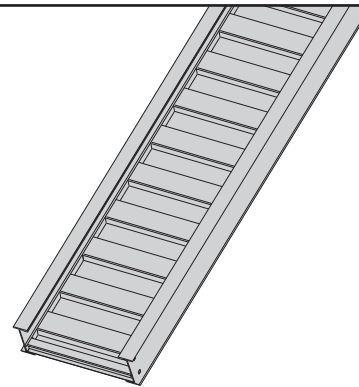
See page 362 for additional rung options. *Special sizes available.



Ladder Type
(Specify Rung Spacing)



Ventilated Trough



Non-Ventilated Trough

● Green = Fastest shipped items ● Black = Normal lead-time items ● Red = Normally long lead-time items

Series 2, 3, 4, & 5 Aluminum - Straight Sections

4" NEMA VE 1 Loading Depth 5" Side Rail Height

Values are based on simple beam tests per NEMA VE 1 on 36" wide cable tray with rungs spaced on 12" centers. Cable trays will support without collapse a 200 lb. (90.7 kg) concentrated load over and above published loads. Published load safety factor is 1.5. To convert 1.5 safety factor to 2.0, multiply published load by 0.75. To obtain mid-span deflection, multiply a load by the deflection multiplier. Cable tray must be supported on spans shorter than or equal to the length of the cable tray being installed.

Individual rungs will support without collapse a 200 lb. (90.7 kg) concentrated load applied at the mid-span of the rung, over and above the NEMA rated cable load with a 1.5 safety factor for highlighted NEMA spans and loads. See table on page 367 for rung capacities.

| B-Line Series | Side Rail Dimensions | NEMA, CSA & UL Classifications | Span ft | Load lbs/ft | Deflection Multiplier | Design Factors for Two Rails | Span meters | Load kg/m | Deflection Multiplier | Design Factors for Two Rails |
|---------------|----------------------|--|---------|-------------|-----------------------|---|-------------|-----------|-----------------------|--|
| 25 | | NEMA: 20A, 12C CSA: D1-6m UL Cross-Sectional Area: 1.00 in ² | 10 | 200 | 0.0049 | Area=1.24 in ² Sx=1.80 in ³ Ix=4.62 in ⁴ | 3.0 | 298 | 0.083 | Area=8.00 cm ² Sx=29.50 cm ³ Ix=192.30 cm ⁴ |
| | | | 12 | 139 | 0.010 | | 3.7 | 207 | 0.172 | |
| | | | 14 | 102 | 0.019 | | 4.3 | 152 | 0.319 | |
| | | | 16 | 78 | 0.032 | | 4.9 | 116 | 0.545 | |
| | | | 18 | 62 | 0.051 | | 5.5 | 92 | 0.873 | |
| | | | 20 | 50 | 0.078 | | 6.1 | 74 | 1.330 | |

When trays are used in continuous spans, the deflection of the tray is reduced by as much as 50%. Design factors: Ix = Moment of Inertia, Sx = Section Modulus.

| B-Line Series | Side Rail Dimensions | NEMA, CSA & UL Classifications | Span ft | Load lbs/ft | Deflection Multiplier | Design Factors for Two Rails | Span meters | Load kg/m | Deflection Multiplier | Design Factors for Two Rails |
|---------------|----------------------|---|---------|-------------|-----------------------|---|-------------|-----------|-----------------------|---|
| 35 | | NEMA: 20B, 16C CSA: E-3m UL Cross-Sectional Area: 1.50 in ² | 10 | 310 | 0.0035 | Area=1.67 in ² Sx=2.35 in ³ Ix=6.37 in ⁴ | 3.0 | 461 | 0.060 | Area=10.77 cm ² Sx=38.51 cm ³ Ix=265.14 cm ⁴ |
| | | | 12 | 215 | 0.0073 | | 3.7 | 320 | 0.125 | |
| | | | 14 | 158 | 0.014 | | 4.3 | 235 | 0.232 | |
| | | | 16 | 121 | 0.023 | | 4.9 | 180 | 0.395 | |
| | | | 18 | 96 | 0.037 | | 5.5 | 142 | 0.633 | |
| | | | 20 | 77 | 0.057 | | 6.1 | 115 | 0.965 | |

When trays are used in continuous spans, the deflection of the tray is reduced by as much as 50%. Design factors: Ix = Moment of Inertia, Sx = Section Modulus.

Series 2, 3, 4, & 5 Aluminum - Straight Sections

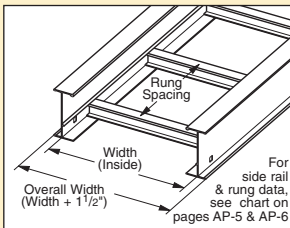
5" NEMA VE 1 Loading Depth
6" Side Rail Height

Straight Section Part Numbering

Prefix

Example: 26 A 09 - 24 - 144

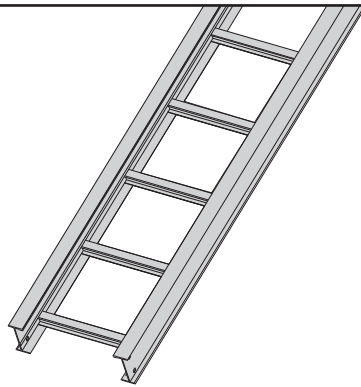
| Series | Material | *Type | *Width | Length |
|--------|----------------|------------------------------|------------|----------------------|
| ● 26 | ● A = Aluminum | Ladder- | ● 06 = 6" | ● ① 144 = 12 ft. 26 |
| ● 36 | | ● 06 = 6" rung spacing | ● 09 = 9" | ● ② 240 = 20 ft. 36 |
| ● 46 | | ● 09 = 9" rung spacing | ● 12 = 12" | ● ① 240 = 20 ft. 46 |
| ● H46† | | ● 12 = 12" rung spacing | ● 18 = 18" | ● ② 144 = 12 ft. 46 |
| | | Trough- | ● 24 = 24" | ● ① 240 = 20 ft. H46 |
| | | 6" thru 36" wide | ● 30 = 30" | ● ② 288 = 24 ft. H46 |
| | | ● VT = Vented Trough | ● 36 = 36" | ● ① 240 = 20 ft. H46 |
| | | ● ST = Non-Ventilated Trough | | ● ② 300 = 25 ft. H46 |



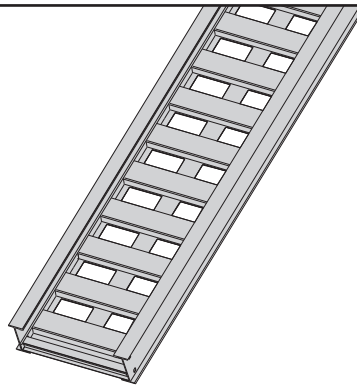
† H46A only available in ladder type 9" and 12" rung spacing
See page 363.

① Primary Length.
② Secondary Length.
See page 39 for explanation of lengths.

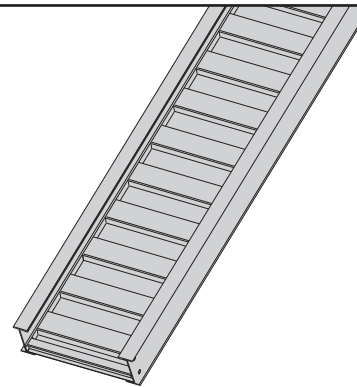
See page 362 for additional rung options. *Special sizes available.



Ladder Type
(Specify Rung Spacing)



Ventilated Trough



Non-Ventilated Trough

● Green = Fastest shipped items ● Black = Normal lead-time items ● Red = Normally long lead-time items

Series 2, 3, 4, & 5 Aluminum - Straight Sections

5" NEMA VE 1 Loading Depth 6" Side Rail Height

Values are based on simple beam tests per NEMA VE 1 on 36" wide cable tray with rungs spaced on 12" centers. Cable trays will support, without collapse, a 200 lb. (90.7 kg) concentrated load over and above published loads. Published load safety factor is 1.5. To convert 1.5 safety factor to 2.0, multiply the published load by 0.75. To obtain mid-span deflection, multiply a load by the deflection multiplier. Cable tray must be supported on spans shorter than or equal to the length of the cable tray being installed.

Individual rungs will support without collapse a 200 lb. (90.7 kg) concentrated load applied at the mid-span of the rung, over and above the NEMA rated cable load with a 1.5 safety factor for highlighted NEMA spans and loads. See table on page 367 for rung capacities.

| B-Line Series | Side Rail Dimensions | NEMA, CSA & UL Classifications | Span ft | Load lbs/ft | Deflection Multiplier | Design Factors for Two Rails | Span meters | Load kg/m | Deflection Multiplier | Design Factors for Two Rails |
|---------------|----------------------|--|---------|-------------|-----------------------|--|-------------|-----------|-----------------------|--|
| 26 | | NEMA: 20A, 16B CSA: D1-6m UL Cross-Sectional Area: 1.00 in ² | 10 | 204 | 0.0028 | Area=1.41 in ² Sx=2.53 in ³ Ix=7.915 in ⁴ | 3.0 | 304 | 0.049 | Area=9.10 cm ² Sx=41.46 cm ³ Ix=329.45 cm ⁴ |
| | | | 12 | 142 | 0.006 | | 3.7 | 211 | 0.101 | |
| | | | 14 | 104 | 0.011 | | 4.3 | 155 | 0.186 | |
| | | | 16 | 80 | 0.019 | | 4.9 | 119 | 0.318 | |
| | | | 18 | 63 | 0.030 | | 5.5 | 94 | 0.509 | |
| | | | 20 | 51 | 0.045 | | 6.1 | 76 | 0.776 | |

When trays are used in continuous spans, the deflection of the tray is reduced by as much as 50%. Design factors: Ix = Moment of Inertia, Sx = Section Modulus.

| B-Line Series | Side Rail Dimensions | NEMA, CSA & UL Classifications | Span ft | Load lbs/ft | Deflection Multiplier | Design Factors for Two Rails | Span meters | Load kg/m | Deflection Multiplier | Design Factors for Two Rails |
|---------------|----------------------|---|---------|-------------|-----------------------|--|-------------|-----------|-----------------------|---|
| 36 | | NEMA: 20B, 16C CSA: E-6m UL Cross-Sectional Area: 1.50 in ² | 12 | 233 | 0.0043 | Area=1.81 in ² Sx=3.36 in ³ Ix=10.85 in ⁴ | 3.7 | 347 | 0.073 | Area=11.68 cm ² Sx=55.06 cm ³ Ix=451.61 cm ⁴ |
| | | | 14 | 171 | 0.008 | | 4.3 | 255 | 0.136 | |
| | | | 16 | 131 | 0.014 | | 4.9 | 195 | 0.232 | |
| | | | 18 | 104 | 0.022 | | 5.5 | 154 | 0.372 | |
| | | | 20 | 84 | 0.033 | | 6.1 | 125 | 0.566 | |
| | | | 22 | 69 | 0.049 | | 6.7 | 103 | 0.829 | |

When trays are used in continuous spans, the deflection of the tray is reduced by as much as 50%. Design factors: Ix = Moment of Inertia, Sx = Section Modulus.

| B-Line Series | Side Rail Dimensions | NEMA, CSA & UL Classifications | Span ft | Load lbs/ft | Deflection Multiplier | Design Factors for Two Rails | Span meters | Load kg/m | Deflection Multiplier | Design Factors for Two Rails |
|---------------|----------------------|--|---------|-------------|-----------------------|--|-------------|-----------|-----------------------|---|
| 46 | | NEMA: 20C CSA: E-6m UL Cross-Sectional Area: 1.50 in ² | 14 | 210 | 0.0071 | Area=2.06 in ² Sx=3.59 in ³ Ix=12.18 in ⁴ | 4.3 | 313 | 0.121 | Area=13.29 cm ² Sx=58.83 cm ³ Ix=506.97 cm ⁴ |
| | | | 16 | 161 | 0.012 | | 4.9 | 239 | 0.207 | |
| | | | 18 | 127 | 0.019 | | 5.5 | 189 | 0.331 | |
| | | | 20 | 103 | 0.030 | | 6.1 | 153 | 0.505 | |
| | | | 22 | 85 | 0.043 | | 6.7 | 127 | 0.739 | |
| | | | 24 | 72 | 0.061 | | 7.3 | 106 | 1.046 | |

When trays are used in continuous spans, the deflection of the tray is reduced by as much as 50%. Design factors: Ix = Moment of Inertia, Sx = Section Modulus.

| B-Line Series | Side Rail Dimensions | NEMA, CSA & UL Classifications | Span ft | Load lbs/ft | Deflection Multiplier | Design Factors for Two Rails | Span meters | Load kg/m | Deflection Multiplier | Design Factors for Two Rails |
|---------------|----------------------|--|---------|-------------|-----------------------|--|-------------|-----------|-----------------------|---|
| H46 | | NEMA: 20C+ CSA: 131 kg/m 7.6m UL Cross-Sectional Area: 2.00 in ² | 16 | 261 | 0.0085 | Area=2.95 in ² Sx=5.33 in ³ Ix=17.30 in ⁴ | 4.9 | 388 | 0.145 | Area=19.03 cm ² Sx=87.34 cm ³ Ix=720.08 cm ⁴ |
| | | | 18 | 206 | 0.014 | | 5.5 | 307 | 0.233 | |
| | | | 20 | 167 | 0.021 | | 6.1 | 248 | 0.355 | |
| | | | 22 | 138 | 0.030 | | 6.7 | 205 | 0.520 | |
| | | | 24 | 116 | 0.043 | | 7.3 | 173 | 0.737 | |
| | | | 25 | 88 | 0.051 | | 7.6 | 131 | 0.867 | |

When trays are used in continuous spans, the deflection of the tray is reduced by as much as 50%. Design factors: Ix = Moment of Inertia, Sx = Section Modulus.

Series 2, 3, 4, & 5 Aluminum - Straight Sections

6" NEMA VE 1 Loading Depth
7" Side Rail Height

Straight Section Part Numbering

Prefix

Example: **37 A 09 - 24 - 240**

Series

- 37
- 47
- H47†
- 57†

Material

- A = Aluminum

*Type

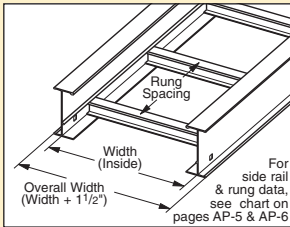
- Ladder-
- 06 = 6" rung spacing
- 09 = 9" rung spacing
- 12 = 12" rung spacing

*Width

- 06 = 6"
- 09 = 9"
- 12 = 12"
- 18 = 18"
- 24 = 24"
- 30 = 30"
- 36 = 36"

Length

- | | |
|------------------|-----|
| ● ① 240 = 20 ft. | 37 |
| ● ② 144 = 12 ft. | |
| ● ① 240 = 20 ft. | 47 |
| ● ② 288 = 24 ft. | |
| ● ① 240 = 20 ft. | H47 |
| ● ② 300 = 25 ft. | |
| ● ① 360 = 30 ft. | 57 |
| ● ② 300 = 25 ft. | |



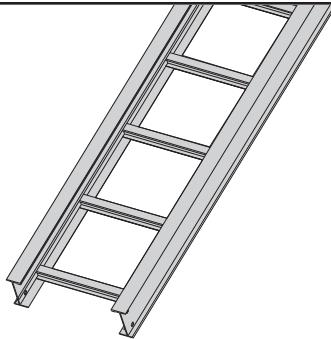
- Trough-
- 6" thru 36" wide
- VT = Vented Trough
- ST = Non-Ventilated Trough

† H47A & 57A only available in ladder type 9" and 12" rung spacing. See page 363.

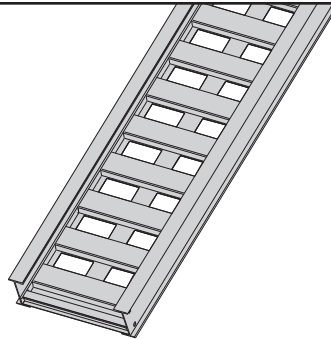
- ① Primary Length.
- ② Secondary Length.

See page 39 for explanation of lengths.

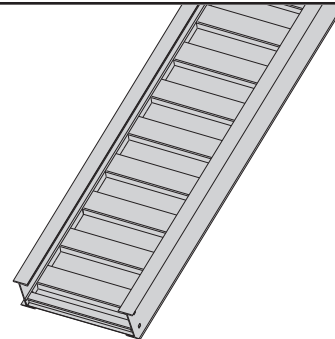
See page 362 for additional rung options. *Special sizes available.



Ladder Type
(Specify Rung Spacing)

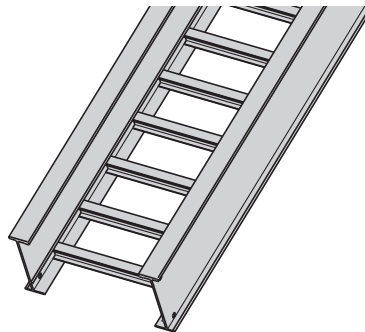


Ventilated Trough



Non-Ventilated Trough

57A available in
(9" & 12" rung spacing in
12" to 36" widths)



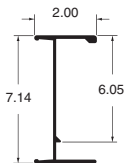
● Green = Fastest shipped items ● Black = Normal lead-time items ● Red = Normally long lead-time items

Series 2, 3, 4, & 5 Aluminum - Straight Sections

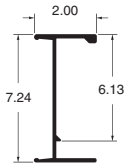
6" NEMA VE 1 Loading Depth 7" Side Rail Height

Values are based on simple beam tests per NEMA VE 1 on 36" wide cable tray with rungs spaced on 12" centers. Cable trays will support without collapse a 200 lb. (90.7 kg) concentrated load over and above published loads. Published load safety factor is 1.5. To convert 1.5 safety factor to 2.0, multiply the published load by 0.75. To obtain mid-span deflection, multiply a load by the deflection multiplier. Cable tray must be supported on spans shorter than or equal to the length of the cable tray being installed.

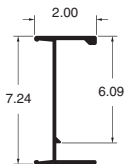
Individual rungs will support without collapse a 200 lb. (90.7 kg) concentrated load applied at the mid-span of the rung, over and above the NEMA rated cable load with a 1.5 safety factor for highlighted NEMA spans and loads. See table on page 367 for rung capacities.

| B-Line Series | Side Rail Dimensions | NEMA, CSA & UL Classifications | Span ft | Load lbs/ft | Deflection Multiplier | Design Factors for Two Rails | Span meters | Load kg/m | Deflection Multiplier | Design Factors for Two Rails |
|---------------|---|--|---------|-------------|-----------------------|--|-------------|-----------|-----------------------|---|
| 37 |  | NEMA: 20B, 16C CSA: 106 kg/m 6.1m UL Cross-Sectional Area: 1.50 in ² | 12 | 222 | 0.0035 | Area=1.81 in ² Sx=3.77 in ³ Ix=13.50 in ⁴ | 3.7 | 331 | 0.059 | Area=11.68 cm ² Sx=61.78 cm ³ Ix=561.91 cm ⁴ |
| | | | 14 | 163 | 0.0064 | | 4.3 | 243 | 0.109 | |
| | | | 16 | 125 | 0.011 | | 4.9 | 186 | 0.186 | |
| | | | 18 | 99 | 0.017 | | 5.5 | 147 | 0.299 | |
| | | | 20 | 80 | 0.027 | | 6.1 | 119 | 0.455 | |
| | | | 22 | 66 | 0.039 | | 6.7 | 98 | 0.666 | |

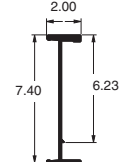
When trays are used in continuous spans, the deflection of the tray is reduced by as much as 50%. Design factors: Ix = Moment of Inertia, Sx = Section Modulus.

| B-Line Series | Side Rail Dimensions | NEMA, CSA & UL Classifications | Span ft | Load lbs/ft | Deflection Multiplier | Design Factors for Two Rails | Span meters | Load kg/m | Deflection Multiplier | Design Factors for Two Rails |
|---------------|--|---|---------|-------------|-----------------------|--|-------------|-----------|-----------------------|---|
| 47 |  | NEMA: 20C CSA: 142 kg/m 6.1m UL Cross-Sectional Area: 2.00 in ² | 14 | 204 | 0.0048 | Area=2.38 in ² Sx=4.94 in ³ Ix=17.88 in ⁴ | 4.3 | 304 | 0.083 | Area=15.35 cm ² Sx=80.95 cm ³ Ix=744.22 cm ⁴ |
| | | | 16 | 156 | 0.0082 | | 4.9 | 233 | 0.141 | |
| | | | 18 | 123 | 0.0132 | | 5.5 | 184 | 0.225 | |
| | | | 20 | 100 | 0.0201 | | 6.1 | 149 | 0.344 | |
| | | | 22 | 83 | 0.0295 | | 6.7 | 123 | 0.503 | |
| | | | 24 | 69 | 0.0418 | | 7.3 | 103 | 0.713 | |

When trays are used in continuous spans, the deflection of the tray is reduced by as much as 50%. Design factors: Ix = Moment of Inertia, Sx = Section Modulus.

| B-Line Series | Side Rail Dimensions | NEMA, CSA & UL Classifications | Span ft | Load lbs/ft | Deflection Multiplier | Design Factors for Two Rails | Span meters | Load kg/m | Deflection Multiplier | Design Factors for Two Rails |
|---------------|---|--|---------|-------------|-----------------------|--|-------------|-----------|-----------------------|---|
| H47 |  | NEMA: 20C+ CSA: 241 kg/m 6.1m UL Cross-Sectional Area: 2.00 in ² | 16 | 233 | 0.0064 | Area=3.04 in ² Sx=6.10 in ³ Ix=22.91 in ⁴ | 4.9 | 346 | 0.110 | Area=19.61 cm ² Sx=99.96 cm ³ Ix=953.59 cm ⁴ |
| | | | 18 | 184 | 0.010 | | 5.5 | 274 | 0.176 | |
| | | | 20 | 149 | 0.016 | | 6.1 | 222 | 0.268 | |
| | | | 22 | 123 | 0.023 | | 6.7 | 183 | 0.393 | |
| | | | 24 | 103 | 0.033 | | 7.3 | 154 | 0.556 | |
| | | | 25 | 95 | 0.038 | | 7.6 | 142 | 0.655 | |

When trays are used in continuous spans, the deflection of the tray is reduced by as much as 50%. Design factors: Ix = Moment of Inertia, Sx = Section Modulus.

| B-Line Series | Side Rail Dimensions | NEMA, CSA & UL Classifications | Span ft | Load lbs/ft | Deflection Multiplier | Design Factors for Two Rails | Span meters | Load kg/m | Deflection Multiplier | Design Factors for Two Rails |
|---------------|---|--|---------|-------------|-----------------------|--|-------------|-----------|-----------------------|---|
| 57 |  | NEMA: 20C+ CSA: 152 kg/m 9.1m UL Cross-Sectional Area: 2.00 in ² | 20 | 232 | 0.011 | Area=4.22 in ² Sx=7.73 in ³ Ix=32.86 in ⁴ | 6.1 | 345 | 0.187 | Area=27.23 cm ² Sx=126.67 cm ³ Ix=1367.74 cm ⁴ |
| | | | 22 | 192 | 0.016 | | 6.7 | 285 | 0.274 | |
| | | | 24 | 161 | 0.023 | | 7.3 | 240 | 0.388 | |
| | | | 26 | 136 | 0.031 | | 7.9 | 202 | 0.534 | |
| | | | 28 | 117 | 0.042 | | 8.5 | 174 | 0.718 | |
| | | | 30 | 102 | 0.055 | | 9.1 | 152 | 0.947 | |

When trays are used in continuous spans, the deflection of the tray is reduced by as much as 50%. Design factors: Ix = Moment of Inertia, Sx = Section Modulus.

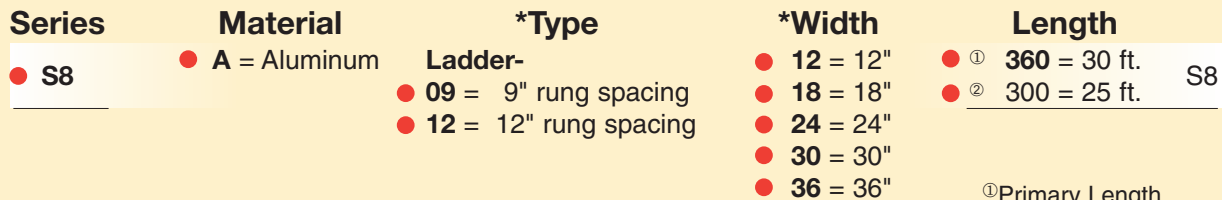
Series 2, 3, 4, & 5 Aluminum - Straight Sections

6" NEMA VE 1 Loading Depth 8" Side Rail Height

Straight Section Part Numbering

Prefix

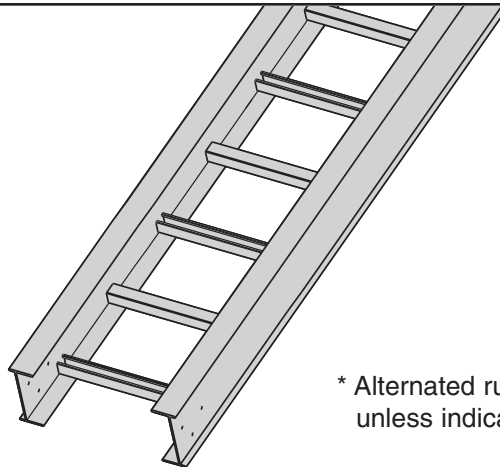
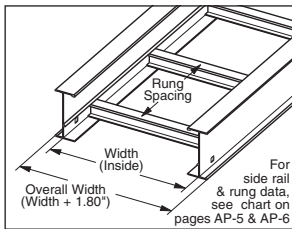
Example: **S8 A 09 - 24 - 240**



① Primary Length.
② Secondary Length.

See page 39 for explanation of lengths.

See page 362 for additional rung options. *Special sizes available.



* Alternated rung unless indicated.

Values are based on simple beam tests per NEMA VE 1 on 36" wide cable tray with rungs spaced on 12" centers. Cable trays will support without collapse a 200 lb. (90.7 kg) concentrated load over and above published loads. Published load safety factor is 1.5. To convert 1.5 safety factor to 2.0, multiply the published load by 0.75. To obtain mid-span deflection, multiply a load by the deflection multiplier. Cable tray must be supported on spans shorter than or equal to the length of the cable tray being installed.

Individual rungs will support without collapse a 200 lb. (90.7 kg) concentrated load applied at the mid-span of the rung, over and above the NEMA rated cable load with a 1.5 safety factor for highlighted NEMA spans and loads. See table on page 367 for rung capacities.

| B-Line Series | Side Rail Dimensions | NEMA, CSA & UL Classifications | Span ft | Load lbs/ft | Deflection Multiplier | Design Factors for Two Rails | Span meters | Load kg/m | Deflection Multiplier | Design Factors for Two Rails |
|---------------|----------------------|--------------------------------|---------|-------------|-----------------------|---|-------------|-----------|-----------------------|---|
| S8A | | NEMA: 20C+ | 20 | 363 | 0.007 | Area=5.50 in ² Sx=15.39 in ³ Ix=55.35 in ⁴ | 6.1 | 540 | 0.111 | Area=35.48 cm ² Sx=252.20 cm ³ Ix=2303.84 cm ⁴ |
| | | CSA: 240 kg/m 9.1m | 22 | 300 | 0.010 | | 6.7 | 446 | 0.163 | |
| | | UL Cross-Sectional | 24 | 252 | 0.013 | | 7.3 | 375 | 0.230 | |
| | | Area: 2.00 in ² | 26 | 215 | 0.019 | | 7.9 | 320 | 0.317 | |
| | | | 28 | 185 | 0.025 | | 8.5 | 276 | 0.427 | |
| | 30 | 161 | 0.033 | 9.1 | 240 | 0.562 | | | | |

● Green = Fastest shipped items ● Black = Normal lead-time items ● Red = Normally long lead-time items

The following is a list of accessories and fittings that can be provided with S8A tray.
For more information on these items, contact the Engineering Department at Cooper B-Line.

Fittings ●

Horizontal Bends

- 30° Bends with 24", 36", or 48" radius
- 45° Bends with 24", 36", or 48" radius
- 60° Bends with 24", 36", or 48" radius
- 90° Bends with 24", 36", or 48" radius

Horizontal Tees

With 24", 36", or 48" radius

Vertical Outside Bends

- 30° Bends with 24", 36", or 48" radius
- 45° Bends with 24", 36", or 48" radius
- 60° Bends with 24", 36", or 48" radius
- 90° Bends with 24", 36", or 48" radius

Vertical Inside Bends

- 30° Bends with 24", 36", or 48" radius
- 45° Bends with 24", 36", or 48" radius
- 60° Bends with 24", 36", or 48" radius
- 90° Bends with 24", 36", or 48" radius

Reducing Fittings

Accessories ●

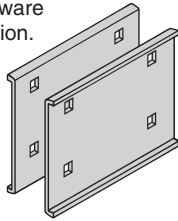
- Splice Plate - 9A-1008
- Expansion Splice Plate - 9A-1018
- Horizontal Adjustable Splice Plate - 9A-1038
- Vertical Adjustable Splice Plate - 9A-1028
- Hold Down Clamps - 9ZN-1281, 9G-1281, 9A-1281
- Guides - S9ZN-1202, S9G-1202
- Step Down Splice Plate - 9A-1050, 9A-1078
- Other Accessories Include:
 - Offset Splice Plates
 - Blind Ends

● Green = Fastest shipped items ● Black = Normal lead-time items ● Red = Normally long lead-time items

Series 2, 3, 4, & 5 Aluminum - Accessories

Wedge Lock Splice Plates (Excluding H46, H47 & 57 Series)

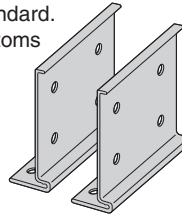
- Standard 4-hole pattern (except 9A-1007).
- Furnished in pairs, with hardware.
- One pair including hardware provided with each section.
- Boxed in pairs with hardware.
- For field installation drill $\frac{13}{32}$ " hole.



| Catalog No. | Height | |
|-------------|--------|-----|
| | in. | mm |
| ● 9A-1004 | 4 | 101 |
| ● 9A-1005 | 5 | 127 |
| ● 9A-1006 | 6 | 152 |
| ● 9A-1007 | 7 | 178 |

H46A, H47A and 57A Mid-Span Splice

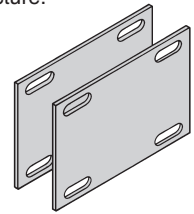
- Standard for H46A, H47A and 57A straight sections.
- Six bolt design $\frac{1}{2}$ " Stainless Steel Type 316 hardware standard.
- Available on ladder bottoms only. 09 and 12" rung spacing.
- Furnished in pairs with hardware.



| Tray Series | Catalog No. |
|-------------|-------------|
| H46A | ● 9A-6006 |
| H47A, 57A | ● 9A-6007 |

Expansion Splice Plates

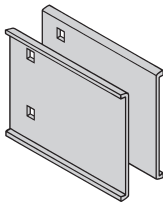
- Expansion plates allow for one inch expansion or contraction of the cable tray, or where expansion joints occur in the supporting structure.
- Furnished in pairs with hardware.
- **Bonding Jumpers are required on each siderail. Order Separately.**



| Catalog No. | Height | |
|-------------|--------|-----|
| | in. | mm |
| ● 9A-1014 | 4 | 101 |
| ● 9A-1015 | 5 | 127 |
| ● 9A-1016 | 6 | 152 |
| ● 9A-1017 | 7 | 178 |

Universal Splice Plates

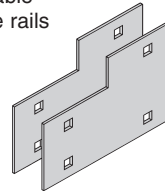
- Used to splice to existing cable tray systems.
- Furnished in pairs with hardware.



| Catalog No. | Height | |
|--------------------------|--------|-----|
| | in. | mm |
| ● 9A-1004- $\frac{1}{2}$ | 4 | 101 |
| ● 9A-1005- $\frac{1}{2}$ | 5 | 127 |
| ● 9A-1006- $\frac{1}{2}$ | 6 | 152 |
| ● 9A-1007- $\frac{1}{2}$ | 7 | 178 |

Step Down Splice Plates

- These splice plates are offered for connecting cable tray sections having side rails of different heights.
- Furnished in pairs with hardware.

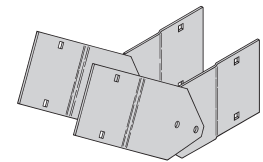


| Catalog No. | Height | |
|-------------|--------|------------|
| | in. | mm |
| ● 9A-1045 | 5 to 4 | 127 to 101 |
| ● 9A-1046 | 6 to 4 | 152 to 101 |
| ● 9A-1060 | 6 to 5 | 152 to 127 |
| ● 9A-1047 | 7 to 4 | 178 to 101 |
| ● 9A-1061 | 7 to 5 | 178 to 127 |
| ● 9A-1062 | 7 to 6 | 178 to 152 |

Vertical Adjustable Splice Plates

- These plates provide for changes in elevation that do not conform to standard vertical fittings.
- Furnished in pairs with hardware.
- **Bonding Jumper not required.**

Requires supports within 24" on both sides, per NEMA VE 2.

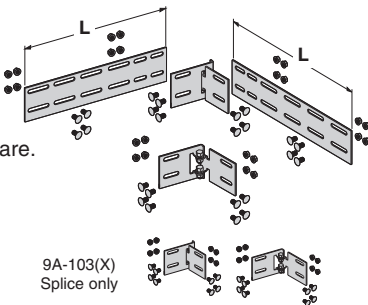


| Catalog No. | Height | |
|-------------|--------|-----|
| | in. | mm |
| ● 9A-1024 | 4 | 101 |
| ● 9A-1025 | 5 | 127 |
| ● 9A-1026 | 6 | 152 |
| ● 9A-1027 | 7 | 178 |

Horizontal Adjustable Splice Plates

- Offered to adjust a cable tray run for changes in direction in a horizontal plane that do not conform to standard horizontal fittings.
- Furnished in pairs with hardware.
- New design bonding jumpers **not** required.
- (X) Insert 4, 5, 6 or 7 for side rail height.

9A-103(X)-12 or 9A-103(X)-36
One pair splice plates with extensions.

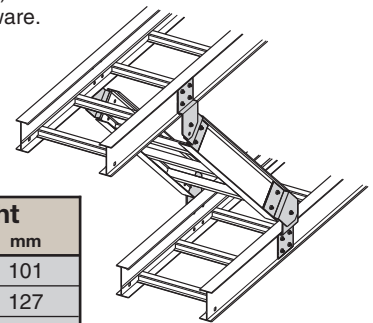


| Catalog No. | Cable Tray End Cut | Tray Width | 'L' |
|----------------|--------------------|------------|-----|
| ● 9A-103(X) | Mitered | Thru 36" | N/A |
| ● 9A-103(X)-12 | Not mitered | Thru 12" | 16" |
| ● 9A-103(X)-36 | Not mitered | Thru 36" | 41" |

Requires supports within 24" on both sides, per NEMA VE 2.

Branch Pivot Connectors

- Branch from existing cable tray runs at any point.
- Pivot to any required angle.
- UL Classified for grounding (bonding jumper not required).
- Furnished in pairs with hardware.



| Catalog No. | Height | |
|-------------|--------|-----|
| | in. | mm |
| ● 9A-2044 | 4 | 101 |
| ● 9A-2045 | 5 | 127 |
| ● 9A-2046 | 6 | 152 |
| ● 9A-2047 | 7 | 178 |

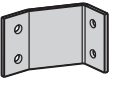
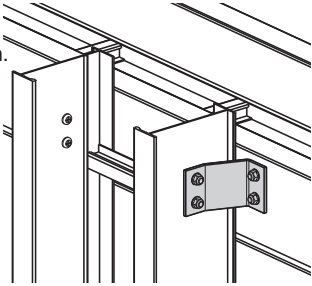
● Green = Fastest shipped items ● Black = Normal lead-time items ● Red = Normally long lead-time items

Series 2, 3, 4, & 5 Aluminum - Accessories

Series 2, 3, 4, & 5 Aluminum

Cross Connector Bracket

- For field connecting crossing section.
- Furnished in pairs with 3/8" hardware.

Catalog No. ● 9A-1240

Tray Hardware

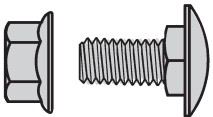
For field installation drill 13/32" hole.

Standard Tray Hardware

Catalog No. ● **SNCB 3/8" x 3/4" Znpl** Square Neck Carriage Bolt ASTM A307 Grade A

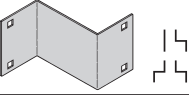
Catalog No. ● **SFHN 3/8"-16 Znpl** Serrated Flange Hex Nut ASTM A563 Grade A

Finish: Zinc Plated ASTM B633, SC1



Offset Reducing Splice Plate

- This plate is used for joining cable trays having different widths. When used in pairs they form a straight reduction; when used singly with a standard splice plate, they form an offset reduction.
- Furnished as one plate with hardware.
- (‡) Insert reduction



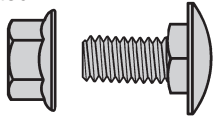
| Catalog No. | Height | |
|---------------|--------|-----|
| | in. | mm |
| ● 9A-1064-(‡) | 4 | 101 |
| ● 9A-1065-(‡) | 5 | 127 |
| ● 9A-1066-(‡) | 6 | 152 |
| ● 9A-1067-(‡) | 7 | 178 |

Optional Tray Hardware

Catalog No. ● **SNCB 3/8" x 3/4" SS6** Square Neck Carriage Bolt AISI 316 Stainless Steel

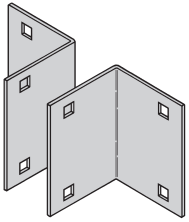
Catalog No. ● **SFHN 3/8"-16 SS6** Serrated Flange Hex Nut AISI 316 Stainless Steel

To order optional 316 Stainless Steel hardware add SS6 suffix to part number
Example: 9A-1004SS6



Tray to Box Splice Plates

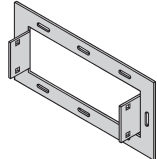
- Used to attach the end of a cable tray run to a distribution box or control panel.
- Furnished in pairs with hardware.



| Catalog No. | Height | |
|-------------|--------|-----|
| | in. | mm |
| ● 9A-1054 | 4 | 101 |
| ● 9A-1055 | 5 | 127 |
| ● 9A-1056 | 6 | 152 |
| ● 9A-1057 | 7 | 178 |

Frame Type Box Connector

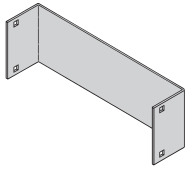
- Designed to attach the end of a cable tray run to a distribution cabinet or control center to help reinforce the box at the point of entry.
- Furnished with tray connection hardware.
- (‡) Insert tray width



| Catalog No. | Height | |
|---------------|--------|-----|
| | in. | mm |
| ● 9A-1074-(‡) | 4 | 101 |
| ● 9A-1075-(‡) | 5 | 127 |
| ● 9A-1076-(‡) | 6 | 152 |
| ● 9A-1077-(‡) | 7 | 178 |

Blind End

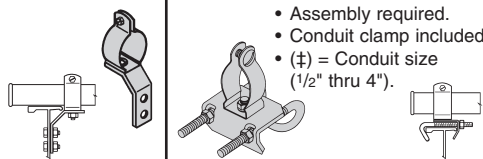
- This plate forms a closure for a dead end cable tray.
- Furnished as one plate with hardware.
- (‡) Insert tray width



| Catalog No. | Height | |
|---------------|--------|-----|
| | in. | mm |
| ● 9A-1084-(‡) | 4 | 101 |
| ● 9A-1085-(‡) | 5 | 127 |
| ● 9A-1086-(‡) | 6 | 152 |
| ● 9A-1087-(‡) | 7 | 178 |

Conduit to Cable Tray Adaptors

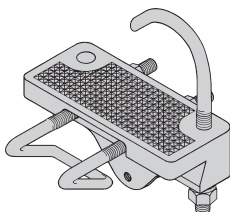

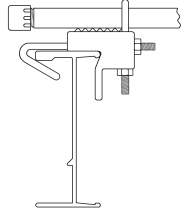
- Assembly required.
- Mounting hardware included.
- Conduit clamps provided.
- (‡) = Conduit size (1/2" thru 4").



Catalog No. ● 9ZN-1150-(‡) **Catalog No.** ● 9ZN-1155-(‡)

Conduit to Cable Tray Adaptor

- For easy attachment of conduit terminating at a cable tray.
- Use on aluminum or steel cable trays.

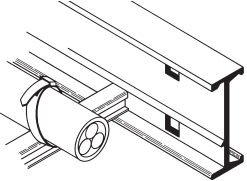





Aluminum I-Beam

| Catalog No. | Conduit Size | |
|--------------------|--------------|---------|
| | in. | mm |
| ● 9G-1158-1/2, 3/4 | 1/2, 3/4 | 15, 20 |
| ● 9G-1158-1, 1 1/4 | 1, 1 1/4 | 25, 32 |
| ● 9G-1158-1 1/2, 2 | 1 1/2, 2 | 40, 50 |
| ● 9G-1158-2 1/2, 3 | 2 1/2, 3 | 65, 80 |
| ● 9G-1158-3 1/2, 4 | 3 1/2, 4 | 90, 100 |

Cable Tie (Ladder Tray)

Nylon ties provide easy attachment of cable to ladder rungs; maximum cable O.D. is 3" (76mm).

Overall Length 15"

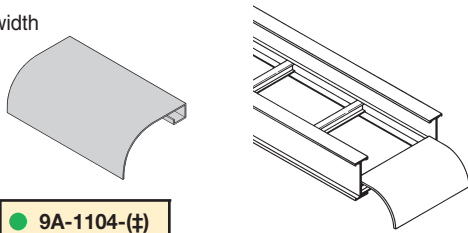
Catalog No. ● 99-2125-15

● Green = Fastest shipped items ● Black = Normal lead-time items ● Red = Normally long lead-time items

Series 2, 3, 4, & 5 Aluminum - Accessories

Ladder Drop-Out

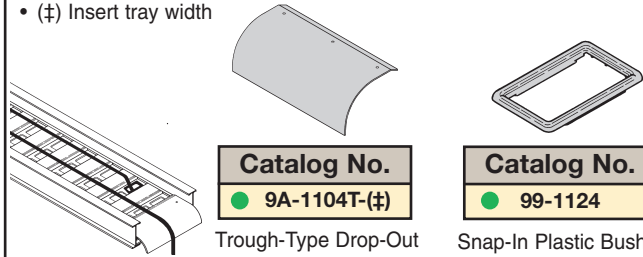
- Specially-designed Ladder Drop-Outs provide a rounded surface with 4" (101 mm) radius to protect cable as it exits from the cable tray, preventing damage to insulation. The drop-out will attach to any desired rung.
- (‡) Insert tray width



Catalog No. ● 9A-1104-(‡)

Trough Drop-Out & Drop-Out Bushing

- These devices provide a rounded surface to protect cable as it exits from the trough-type cable tray.
- Hardware is included for attachment of the trough bottom drop-out.
- (‡) Insert tray width



Catalog No.

● 9A-1104T-(‡)

Trough-Type Drop-Out

Catalog No.

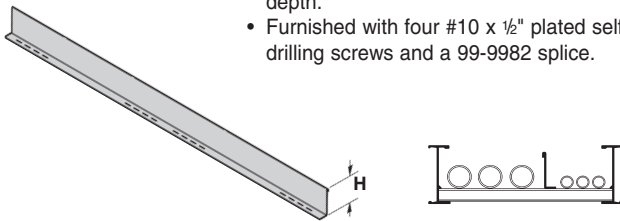
● 99-1124

Snap-In Plastic Bushing

Barriers

Straight Section

- Standard length: 120" (3 m) 144" (12 ft.).
- Order catalog number based on loading depth.
- Furnished with four #10 x 1/2" plated self-drilling screws and a 99-9982 splice.

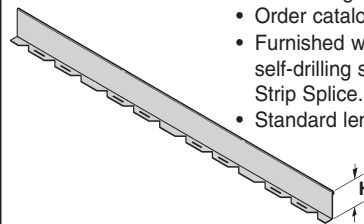


| Catalog No. | Side Rail Height | | Loading Depth 'H' | |
|--------------|------------------|-----|-------------------|-----|
| | in. | mm | in. | mm |
| ● 73A-Length | 4 | 101 | 3 | 76 |
| ● 74A-Length | 5 | 127 | 4 | 101 |
| ● 75A-Length | 6 | 152 | 5 | 127 |
| ● 76A-Length | 7 | 178 | 6 | 152 |

Length =
144 for 12"
or
120 for 10"

Horizontal Bend

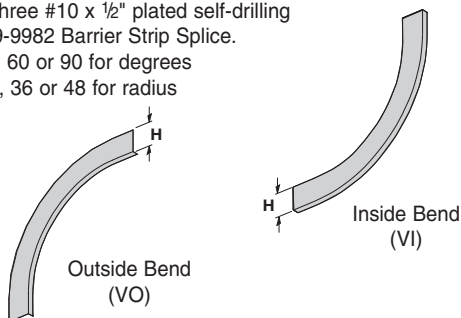
- Horizontal Bend Barriers are flexible in order to conform to any horizontal fitting radius. Cut to length.
- Order catalog number based on loading depth.
- Furnished with three #10 x 1/2" zinc plated self-drilling screws and a 99-9982 Barrier Strip Splice.
- Standard length is 72" (6 ft.), sold individually.



| Catalog No. | Side Rail Height | | Loading Depth 'H' | |
|--------------|------------------|-----|-------------------|-----|
| | in. | mm | in. | mm |
| ● 73A-90HBFL | 4 | 101 | 3 | 76 |
| ● 74A-90HBFL | 5 | 127 | 4 | 101 |
| ● 75A-90HBFL | 6 | 152 | 5 | 127 |
| ● 76A-90HBFL | 7 | 178 | 6 | 152 |

Vertical Bend Barriers

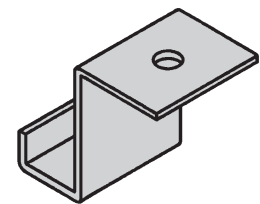
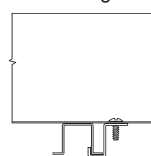
- Vertical Bend Barriers are preformed to conform to a specific vertical fitting.
- Furnished with three #10 x 1/2" plated self-drilling screws and a 99-9982 Barrier Strip Splice.
- (*) Insert 30, 45, 60 or 90 for degrees
- (†) Insert 12, 24, 36 or 48 for radius



| Inside Bend Catalog No. | Outside Bend Catalog No. | Side Rail Height | | Loading Depth 'H' | |
|-------------------------|--------------------------|------------------|-----|-------------------|-----|
| | | in. | mm | in. | mm |
| ● 73A-(*)VI(†) | ● 73A-(*)VO(†) | 4 | 101 | 3 | 76 |
| ● 74A-(*)VI(†) | ● 74A-(*)VO(†) | 5 | 127 | 4 | 101 |
| ● 75A-(*)VI(†) | ● 75A-(*)VO(†) | 6 | 152 | 5 | 127 |
| ● 76A-(*)VI(†) | ● 76A-(*)VO(†) | 7 | 178 | 6 | 152 |

Barrier Strip Clip

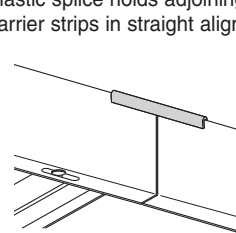
- Zinc plated steel barrier clip fastens to either aluminum or steel ladder rung.
- Furnished with one #10 x 1/2" zinc plated self-drilling screw.



Catalog No. ● 9ZN-9002

Barrier Strip Splice

- Plastic splice holds adjoining barrier strips in straight alignment.



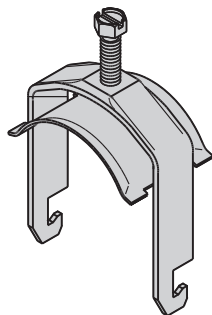
Catalog No. ● 99-9982

● Green = Fastest shipped items ● Black = Normal lead-time items ● Red = Normally long lead-time items

Series 2, 3, 4, & 5 Aluminum - Accessories

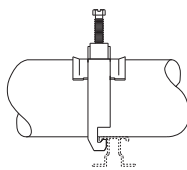
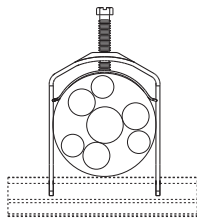
Stainless Steel Cable Clamp "P"

- Fits with series 2, 3, & 4 rungs.
- Attaches to rung at any point.
- 14 gauge Type 316 stainless steel material to minimize corrosion and induction heating.
- Plated steel and aluminum also available.



Refer to Section CF
Cable Fixing

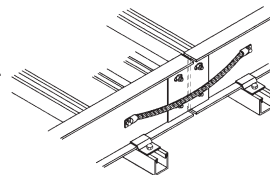
| Catalog No. | Cable Size | |
|-------------|---------------|---------------|
| | in. | mm |
| ● BP081SS | .250 - .840 | 6.4 - 21.3 |
| ● BP110SS | .810 - 1.100 | 20.6 - 28.0 |
| ● BP135SS | .850 - 1.350 | 21.6 - 34.8 |
| ● BP175SS | 1.250 - 1.750 | 31.8 - 44.5 |
| ● BP205SS | 1.550 - 2.050 | 39.4 - 52.1 |
| ● BP250SS | 2.000 - 2.500 | 50.8 - 63.5 |
| ● BP300SS | 2.500 - 3.000 | 63.5 - 76.2 |
| ● BP325SS | 2.750 - 3.250 | 69.9 - 82.6 |
| ● BP375SS | 3.250 - 3.750 | 82.6 - 95.3 |
| ● BP425SS | 3.750 - 4.250 | 95.3 - 108.0 |
| ● BP475SS | 4.250 - 4.750 | 108.0 - 120.7 |



Bonding Jumper

Use at each expansion splice and where the cable tray is not mechanically/electrically continuous to ground.

- Sold individually.
- Hardware included.
- See table 392.7(B)(2) on page 25 for amperage ratings required to match the UL cross-sectional area of the tray.
- See tray loading chart for UL cross-sectional area.
- Bonding jumper is 16" long.

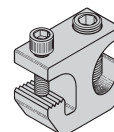


| Catalog No. | Cross-Sectional Area | Ampacity |
|-------------|----------------------|----------|
| ● 99-N1 | 0.40 Square inches | 600 |
| ● 99-40 | 1.5 Square inches | 1600 |
| ● 99-1620 | 2.0 Square inches | 2000 |

Grounding Clamp

Cooper B-Line Cable Tray is UL® classified as to its suitability as an equipment grounding conductor. If a separate conductor for additional grounding capability is desired, Cooper B-Line offers this clamp for bolting the conductor at least once to each cable tray section.

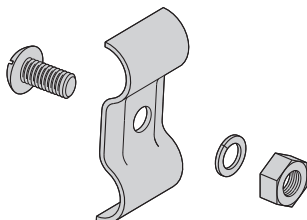
- Accepts #6 AWG to 250 MCM.



| Catalog No. | Material |
|-------------|---------------------|
| ● 9A-2130 | Tin Plated Aluminum |

Ground Clamp

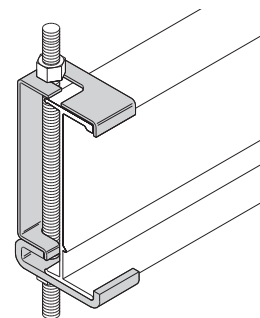
- Mechanically attaches grounding cables to cable tray.
- Hardware included.
- (*) Insert **ZN** or **SS4**



| Catalog No. | Cable Size |
|-------------|------------------|
| 9(*)-2351 | #1 thru 2/0 |
| 9(*)-2352 | 3/0 thru 250 MCM |

Hanger Rod Clamp

- For 1/2" ATR.
- Furnished in pairs.
- Order ATR and hex nuts separately.
- Two-piece "J"-hanger design.
- 1500 lbs./pair capacity safety factor 3.
- (*) Insert **ZN** or **G**



| Catalog No. | Rail Height | |
|-------------|-------------|-----|
| | in. | mm |
| 9(*)-5324 | 4 | 101 |
| 9(*)-5325 | 5 | 127 |
| 9(*)-5326 | 6 | 152 |
| 9(*)-5327 | 7 | 178 |

Threaded Rod (ATR) & Rod Coupling

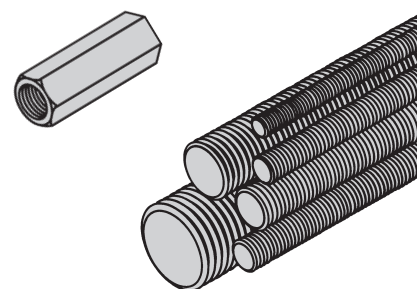
| Size | Loading lbs | Catalog No. | Available Lengths | Coupling Cat. No. |
|---------|-------------|---------------------|----------------------|-------------------|
| 3/8"-16 | 730 | ● ATR 3/8" x Length | 36", 72", 120", 144" | ● B655-3/8 |
| 1/2"-13 | 1350 | ● ATR 1/2" x Length | 36", 72", 120", 144" | ● B655-1/2 |

All dimensions in shaded areas are millimeters unless otherwise specified.

Loading based on safety factor 5.

Standard Finish: Zinc plated

See B-Line Strut Systems Catalog for other sizes and finishes.

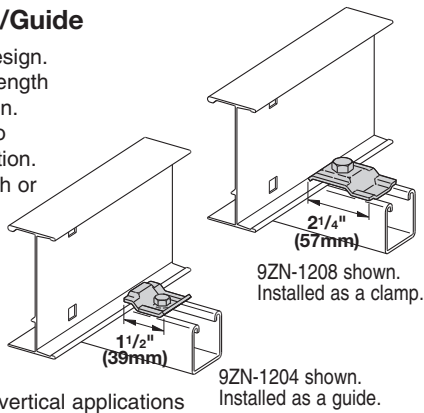


● Green = Fastest shipped items ● Black = Normal lead-time items ● Red = Normally long lead-time items

Series 2, 3, 4, & 5 Aluminum - Accessories

Cable Tray Clamp/Guide

- Features a no-twist design.
- Has four times the strength of the traditional design.
- Each side is labeled to ensure proper installation.
- Furnished in pairs, with or without hardware.



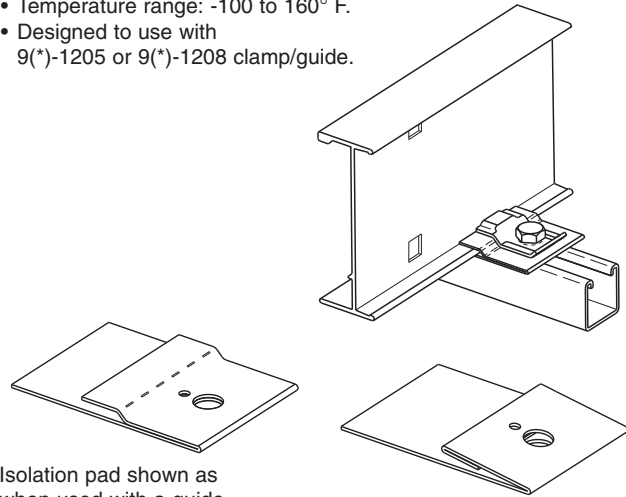
Patent #
RE35479

Note: For heavy duty or vertical applications see 9(*)-1241 or 9(*)-1242 page 245

| Catalog No. | | Overall Length | | Hardware Size | Finish |
|------------------|---------------|----------------|----|---------------|--------|
| Without Hardware | With Hardware | in. | mm | | |
| ● 9ZN-1204 | ● 9ZN-1204NB | 1 1/2 | 38 | 1/4" | Znplt |
| ● 9ZN-1208 | ● 9ZN-1208NB | 2 1/4 | 57 | 3/8" | Znplt |
| ● 9A-1205 | -- | 2 1/4 | 57 | 1/2" | Alum. |
| ● 9G-1205 | -- | 2 1/4 | 57 | 1/2" | HDGAF |
| ● 9SS6-1205 | -- | 2 1/4 | 57 | 1/2" | 316SS |
| ● 9ZN-1205 | -- | 2 1/4 | 57 | 1/2" | Znplt |

Isolator Pad

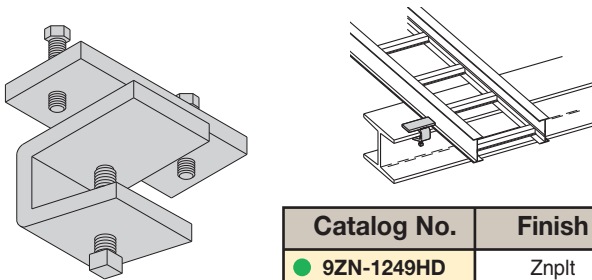
- Use as a friction reducer and/or as a dissimilar metal isolator barrier.
- UV resistant HDPE.
- Temperature range: -100 to 160° F.
- Designed to use with 9(*)-1205 or 9(*)-1208 clamp/guide.



Catalog No. ● 99-PE34

Cable Tray Clamp

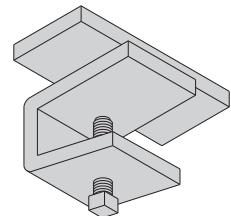
- Hold-down clamps for single or double cable tray runs.
- No drilling of support I-beam or channel is required.
- Sold in pieces
 - two clamps are required per tray.
- Maximum beam flange thickness 1 1/8" (28.58 mm).



| Catalog No. | Finish |
|--------------|--------|
| ● 9ZN-1249HD | Znplt |
| ● 9G-1249HD | HDGAF |

Cable Tray Guide

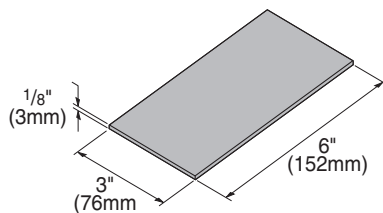
- Expansion guide for single or double cable tray runs.
- Guide allows for longitudinal movement of the cable tray.
- No field drilling of support I-beam or channel is required.
- Guides are required on both sides of cable tray to prevent lateral movement - can be placed on either the inside or outside flange of cable tray.
- Guides are sold in pieces - two guides are required per tray.
- Maximum flange thickness 1 1/8" (28.58 mm).



| Catalog No. | Finish |
|-------------|--------|
| ● 9ZN-1249 | Znplt |
| ● 9G-1249 | HDGAF |

Nylon Pad

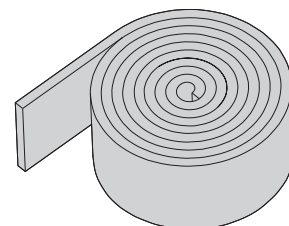
- Use for friction reduction.
- Hardness: Shore D80.
- Low friction coefficient.
- UV resistant.
- Excellent weatherability.
- UL - 94HB.



Catalog No. ● 99-NY36

Neoprene Roll

- Use for material isolation.
- 1/8" x 2" x 25' roll.
- Hardness: Shore A60.
- Good weatherability.



Catalog No. ● 99-NP300

● Green = Fastest shipped items ● Black = Normal lead-time items ● Red = Normally long lead-time items

Series 2, 3, 4, & 5 Aluminum - Accessories

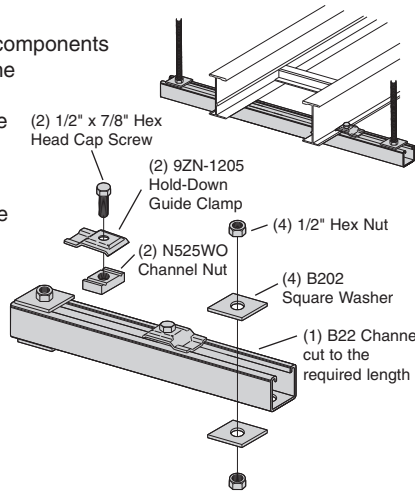
Trapeze Support Kit

Cooper B-Line's trapeze kits provide the components required for a single trapeze support in one package. These kits are available in pre-galvanized steel with zinc-plated hardware or hot dip galvanized steel with 316 stainless steel hardware.

The SH channel provides the convenience of pre-punched slots, which eliminate the need for field drilling.

The illustrated hardware is sealed in a plastic bag and boxed with the channel, which is pre-cut to the appropriate length as shown in the chart.

Designed for use with 1/2" threaded rod. Order rod separately.



| Catalog No. | Tray Width | | Channel Length | | Uniform Load | |
|-------------------|------------|------|----------------|------|--------------|------|
| | in. | mm | in. | mm | lbs | kN |
| ● 9P-5506-22SH(†) | 6 | 152 | 16 | 406 | 1600 | 7.11 |
| ● 9P-5509-22SH(†) | 9 | 229 | 18 | 457 | 1250 | 5.56 |
| ● 9P-5512-22SH(†) | 12 | 305 | 22 | 559 | 1125 | 5.00 |
| ● 9P-5518-22SH(†) | 18 | 457 | 28 | 711 | 865 | 3.85 |
| ● 9P-5524-22SH(†) | 24 | 610 | 34 | 864 | 700 | 3.11 |
| ● 9P-5530-22SH(†) | 30 | 762 | 40 | 1016 | 590 | 2.62 |
| ● 9P-5536-22SH(†) | 36 | 914 | 46 | 1168 | 510 | 2.27 |
| ● 9P-5542-22SH(†) | 42 | 1067 | 52 | 1321 | 450 | 2.00 |

• (†) Insert 3/8 for 3/8" threaded rod hardware.

Safety factor of 3.0 on all loads.

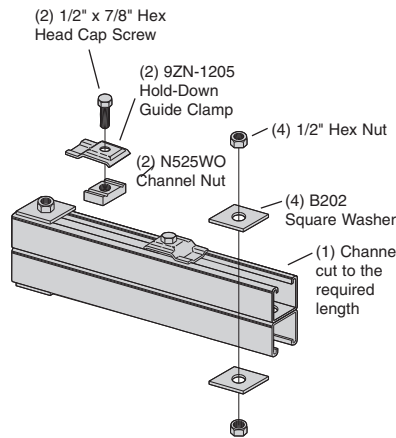
Heavy Duty Trapeze Support Kit

Cooper B-Line's trapeze kits provide the components required for a single trapeze support in one package. These kits are available in Dura-Green® epoxy coated steel with zinc-plated hardware or hot dip galvanized steel with 316 stainless steel hardware.

The SH channel provides the convenience of pre-punched slots, which eliminates the need for field drilling.

The illustrated hardware is sealed in a plastic bag and boxed with the channel, which is pre-cut to the appropriate length as shown in the chart.

Designed for use with 1/2" threaded rod. Order rod separately.

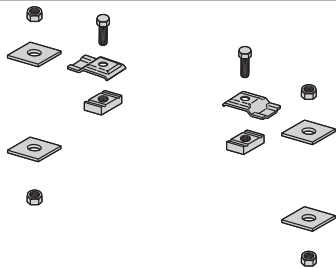


| Catalog No. | Tray Width | | Channel Length | | Uniform Load | |
|-------------------|------------|------|----------------|------|--------------|------|
| | in. | mm | in. | mm | lbs | kN |
| ● 9(*)-5506-22SHA | 6 | 152 | 16 | 406 | 1350 | 6.01 |
| ● 9(*)-5509-22SHA | 9 | 229 | 18 | 457 | 1350 | 6.01 |
| ● 9(*)-5512-22SHA | 12 | 305 | 22 | 559 | 1350 | 6.01 |
| ● 9(*)-5518-22SHA | 18 | 457 | 28 | 711 | 1350 | 6.01 |
| ● 9(*)-5524-22SHA | 24 | 610 | 34 | 864 | 1350 | 6.01 |
| ● 9(*)-5530-22SHA | 30 | 762 | 40 | 1016 | 1350 | 6.01 |
| ● 9(*)-5536-22SHA | 36 | 914 | 46 | 1168 | 1350 | 6.01 |
| ● 9(*)-5542-22SHA | 42 | 1067 | 52 | 1321 | 1350 | 6.01 |

• (*) Insert **GRN** or **G**

Safety factor of 3.0 on all loads.

Trapeze Hardware Kit



| Catalog No. | ● 9ZN-5500-1/2 | ● 9G-5500-1/2 |
|----------------|---|--|
| In plastic bag | 1 pr. 9ZN-1205 2 HHC Screw 1/2 x 7/8 ZN 2 N525 WO ZN 4 B202 ZN 1/2" sq washer 4 HN 1/2 ZN | 1 pr. 9G-1205 2 HHC Screw 1/2 x 7/8 SS6 2 N525 WO SS6 4 B202 HDG 1/2" sq washer 4 HN 1/2 SS6 |

Rooftop Support Bases with B22 Channel

Designed as a superior rooftop support for cable tray,

UV resistant and approved for most roofing material or other flat surfaces.

Can be used with any of Cooper B-Line's cable tray clamps and guides.

Ultimate Load Capacity:
1,000 lbs. (uniform load)



| Catalog No. | Height x Width x Length |
|-------------|-------------------------|
| ● DB10-28 | 5 5/8" x 6" x 28.0" |
| ● DB10-36 | 5 5/8" x 6" x 36.0" |
| ● DB10-42 | 5 5/8" x 6" x 42.0" |
| ● DB10-50 | 5 5/8" x 6" x 50.0" |
| ● DB10-60 | 5 5/8" x 6" x 60.0" |

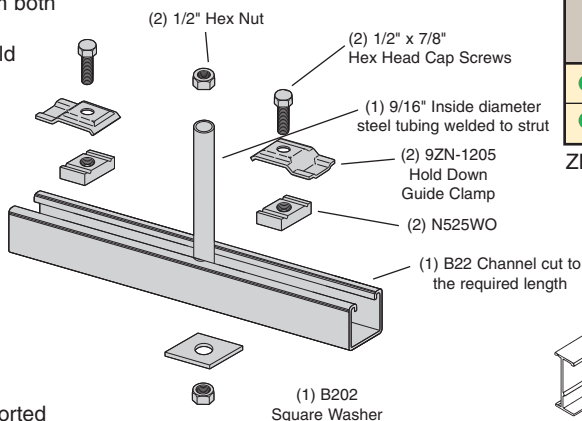
♻️ LEEDS credit available, base made from 100% recycled material.

General Note: Consult roofing manufacturer or engineer for roof load capacity. The weakest point may be the insulation board beneath the rubber membrane.

● Green = Fastest shipped items ● Black = Normal lead-time items ● Red = Normally long lead-time items

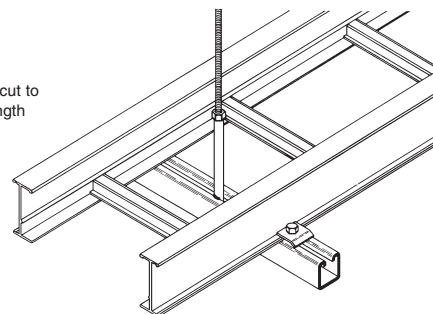
Center Hung Tray Support

- Cooper B-Line's unique Center Hung Cable Tray Support allows cable to be laid-in from both sides.
- Eliminates costly cable pulling and field cutting of cable tray supports. Labor costs are dramatically reduced.
- Required hardware and threaded rod material for trapeze assemblies are reduced by 50%.
- Designed for use with 1/2" threaded rod. (Order rod separately)
- Use with all aluminum and steel cable trays through 24" width.
- Load capacity is 700 lbs. per support. Safety factor of 3.0. Eccentric loading is not to exceed a 60% vs. 40% load differential.
- The maximum recommended unsupported span length is 144"/12 ft. (3.66 m).
- Hardware shown is furnished.

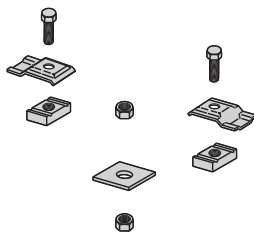


| Catalog No. | Tray Width | Channel Length |
|-------------|-------------|----------------|
| ● 9ZN-5212 | 6", 9", 12" | 18" |
| ● 9ZN-5224 | 18", 24" | 30" |

ZN = Zinc Plated

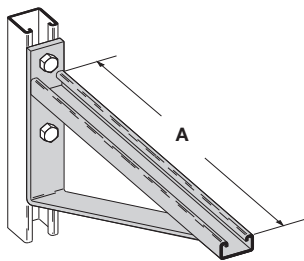


Center Hung Support Hardware Kit



| Catalog No. | ● 9ZN-5200 |
|----------------|---|
| In plastic bag | 1 pr. 9ZN-1205 2 HHC Screw 1/2 x 7/8 ZN 2 N525 WO ZN 1 B202 ZN 1/2" sq washer 2 HN 1/2 ZN |

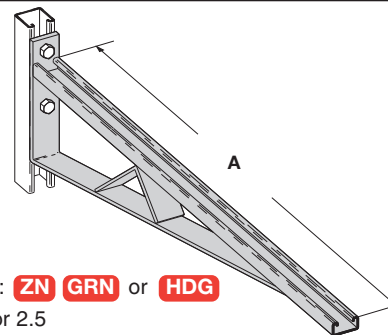
Bracket



Finishes available: **ZN** **GRN** or **HDG**
Safety Load Factor 2.5

| Catalog No. | Uniform Load | | Tray Width | | 'A' | |
|-------------|--------------|------|------------|-----------|-----|-----|
| | lbs | kN | in. | mm | in. | mm |
| B494-12 | 1580 | 7.02 | 6 & 9 | 152 & 229 | 12 | 305 |
| B494-18 | 1000 | 4.45 | 12 | 305 | 18 | 457 |
| B494-24 | 996 | 4.43 | 18 | 457 | 24 | 610 |

Bracket



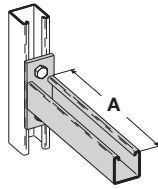
Finishes available: **ZN** **GRN** or **HDG**
Safety Load Factor 2.5

| Catalog No. | Uniform Load | | Tray Width | | 'A' | |
|-------------|--------------|------|------------|------|-----|------|
| | lbs | kN | in. | mm | in. | mm |
| B494-30 | 924 | 4.11 | 24 | 610 | 30 | 762 |
| B494-36 | 864 | 3.84 | 30 | 762 | 36 | 914 |
| B494-42 | 580 | 2.58 | 36 | 914 | 42 | 1067 |
| B494-48 | 500 | 2.22 | 42 | 1067 | 48 | 1219 |

● Green = Fastest shipped items ● Black = Normal lead-time items ● Red = Normally long lead-time items

Series 2, 3, 4, & 5 Aluminum - Accessories

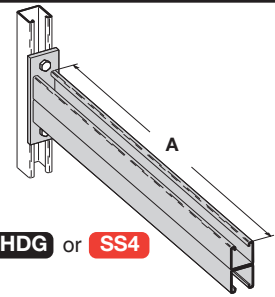
Cantilever Bracket



Finishes available: **ZN** **GRN** **HDG** **SS4** or **SS6**
Safety Load Factor 2.5

| Catalog No. | Uniform Load | | Tray Width | | 'A' | |
|----------------|--------------|------|------------|-----------|-----|-----|
| | lbs | kN | in. | mm | in. | mm |
| B409-12 | 960 | 4.27 | 6 & 9 | 152 & 229 | 12 | 305 |
| B409-18 | 640 | 2.84 | 12 | 305 | 18 | 457 |
| B409-24 | 480 | 2.13 | 18 | 457 | 24 | 610 |

Cantilever Bracket

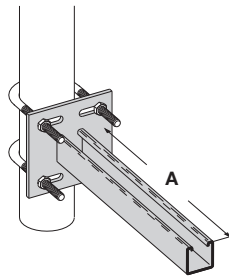


Finishes available: **ZN** **GRN** **HDG** or **SS4**
Safety Load Factor 2.5

| Catalog No. | Uniform Load | | Tray Width | | 'A' | |
|----------------|--------------|------|------------|-----------|-----|------|
| | lbs | kN | in. | mm | in. | mm |
| B297-12 | 1660 | 7.38 | 6 & 9 | 152 & 229 | 12 | 305 |
| B297-18 | 1100 | 4.89 | 12 | 305 | 18 | 457 |
| B297-24 | 835 | 3.71 | 18 | 457 | 24 | 610 |
| B297-30 | 665 | 2.95 | 24 | 610 | 30 | 762 |
| B297-36 | 550 | 2.44 | 30 | 762 | 36 | 914 |
| B297-42 | 465 | 2.06 | 36 | 914 | 42 | 1067 |

Underfloor Support (U-Bolts not included)

| U-Bolt Size | Fits Pipe O.D. |
|-------------|----------------|
| B501-3/4 | .841 - 1.050 |
| B501-1 | 1.051 - 1.315 |
| B501-1 1/4 | 1.316 - 1.660 |
| B501-1 1/2 | 1.661 - 1.900 |
| B501-2 | 1.901 - 2.375 |
| B501-2 1/2 | 2.376 - 2.875 |



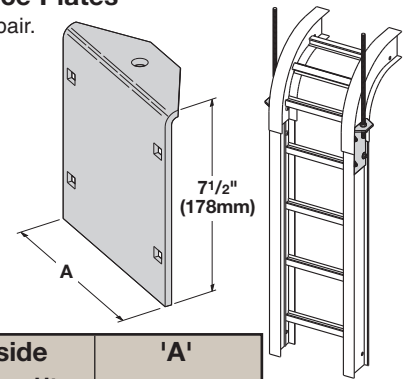
• Order properly sized U-Bolts separately.

Finish available: **ZN**
Safety Load Factor 2.5

| Catalog No. | Uniform Load | | Tray Width | | 'A' | |
|------------------|--------------|------|------------|-----------|-----|-----|
| | lbs | kN | in. | mm | in. | mm |
| B409UF-12 | 800 | 3.55 | 6 & 9 | 152 & 229 | 12 | 305 |
| B409UF-21 | 450 | 2.00 | 12 & 18 | 305 & 457 | 21 | 533 |

Vertical Hanger Splice Plates

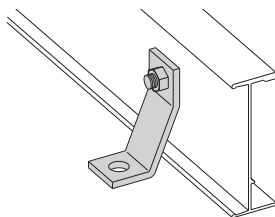
- Design load is 1500 lbs/pair. Safety Factor of 2.5
- Furnished in pairs with hardware.



| Catalog No. | Outside Cable Tray Ht. | 'A' | |
|------------------|------------------------|------|--------|
| | | in. | mm |
| ● 9A-1224 | 4" | 3.84 | 97.54 |
| ● 9A-1225 | 5" | 4.73 | 120.14 |
| ● 9A-1226 | 6" | 5.84 | 148.34 |
| ● 9A-1227 | 7" | 6.84 | 173.74 |

Heavy Duty Hold Down Bracket

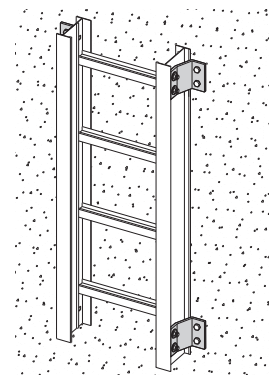
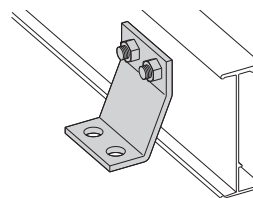
- Design load is 2000 lbs/pair.
- Two bolt design.
- Sold in pairs.
- 3/8" cable tray attachment hardware provided.
- 1/2" support attachment hardware **not** provided.
- (*) Insert **ZN** **SS4** or **SS6**



| | |
|-------------|-----------|
| Catalog No. | 9(*)-1241 |
|-------------|-----------|

Heavy Duty Hold-Down Bracket

- Design load is 4000 lbs/pair.
- Four bolt design.
- Sold in pairs.
- 3/8" cable tray attachment hardware provided
- 1/2" support attachment hardware **not** provided.
- (*) Insert **ZN** **SS4** or **SS6**



| | |
|-------------|-----------|
| Catalog No. | 9(*)-1242 |
|-------------|-----------|

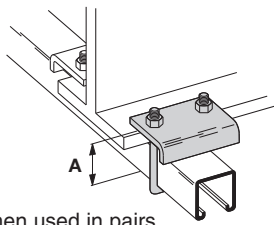
● Green = Fastest shipped items ● Black = Normal lead-time items ● Red = Normally long lead-time items

Series 2, 3, 4, & 5 Aluminum

Series 2, 3, 4, & 5 Aluminum - Accessories

Beam Clamp

- Finishes available: **ZN** or **HDG**
- Sold in pieces.

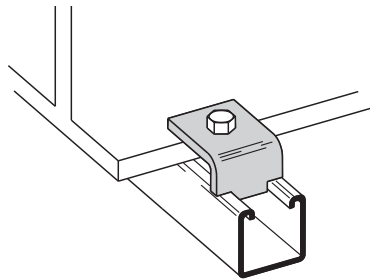


Design load when used in pairs.
Safety Load Factor 5.0

| Catalog | Design Load* | | 'A' | |
|-----------------|--------------|------|-------------------------------|-----|
| | lbs | kN | in. | mm |
| B441-22 | 1200 | 5.34 | 3 ³ / ₈ | 86 |
| B441-22A | 1200 | 5.34 | 5 | 127 |

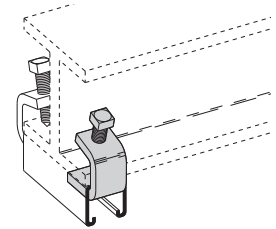
Beam Clamp B355

- Finishes available: **ZN** **GRN** **HDG** or **SS4**
- Sold in pieces.
- Design load is 1200 lbs. when used in pairs.
- Safety Load Factor 5.0
- Order HHCS and Channel Nuts separately.



Beam Clamp

- Finishes available: **ZN** **GRN** or **HDG**
- Sold in pieces.

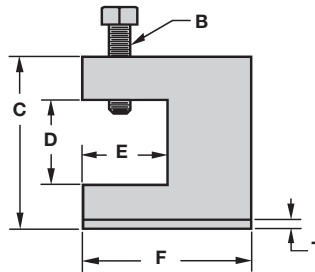
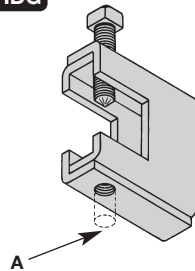


Design load when used in pairs.
Safety Load Factor 5.0

| Cat. No. | B212-1/4 | | B212-3/8 | |
|-------------------|----------|---------|-----------|---------|
| Design Load * | 600 lbs. | 2.67 kN | 1000 lbs. | 4.45 kN |
| Max. Flange Thick | 3/4" | 19 mm | 1 1/8" | 28.6 mm |
| Mat'l. Thickness | 1/4" | 6.3 mm | 3/8" | 9.5 mm |

B305 Thru B308 & B321 Series Beam Clamps

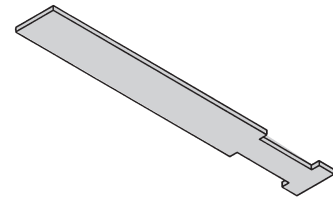
- Finishes available: **ZN** or **HDG**
- Setscrew included.
- Safety Load Factor 5.0



| Cat. No. | Rod Size A | B | C | D | E | F | T | Design Load | |
|---------------|------------|---------|---------|----------|--------|--------|--------|-------------|------|
| | | | | | | | | lbs | kN |
| B305 | 3/8"-16 | 3/8"-16 | 2 5/16" | 7/8" | 1 1/8" | 2 1/2" | 11 Ga. | 600 | 2.67 |
| B306 | 3/8"-16 | 1/2"-13 | 2 7/16" | 7/8" | 1 1/8" | 2 1/2" | 7 Ga. | 1100 | 4.90 |
| B307 | 1/2"-13 | 1/2"-13 | 2 7/16" | 7/8" | 1 1/8" | 2 1/2" | 7 Ga. | 1100 | 4.90 |
| B308 | 1/2"-13 | 1/2"-13 | 2 9/16" | 7/8" | 1 1/8" | 2 1/2" | 1/4" | 1500 | 6.68 |
| B321-1 | 3/8"-16 | 1/2"-13 | 3 9/16" | 1 11/16" | 1 5/8" | 3 1/4" | 1/4" | 1300 | 5.79 |
| B321-2 | 1/2"-13 | 1/2"-13 | 3 9/16" | 1 11/16" | 1 5/8" | 3 1/4" | 1/4" | 1400 | 6.23 |

B312 Anchor Strap

- Finish available: **ZN**
- For a maximum beam thickness of 3/4".
- For thicker beams, step up one flange width size.

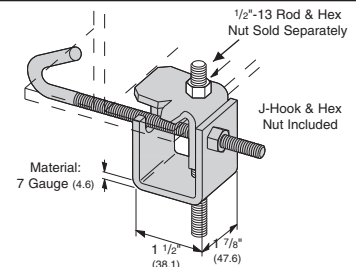


| Cat. No. | Flange Width |
|----------------|--------------|
| B312-6 | Up to 6" |
| B312-9 | 6" - 9" |
| B312-12 | 9" - 12" |

Beam Clamp

| Catalog No. | For Flange Width | | Wt./C | |
|-----------------|------------------|---------------|-------|------|
| | in. | mm | lbs | kg |
| B750-J4 | 3" - 6" | 76.2 - 152.4 | 109 | 49.4 |
| B750-J6 | 5" - 9" | 127.0 - 228.6 | 124 | 56.2 |
| B750-J9 | 8" - 12" | 203.2 - 304.8 | 135 | 61.2 |
| B750-J12 | 11" - 15" | 279.4 - 381.0 | 147 | 66.7 |

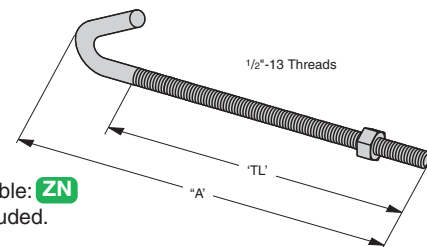
- Finish available: **ZN**
- Design Load 500 lbs. (2.22 kN)
- Safety Load Factor 5.0
- Recommended torque: 'J'-Hook Nut 125 In.-Lbs. (14.1 kN/m)
- Maximum flange thickness of 3/4"



Beam Clamp

| Catalog No. | 'A' | | Thread Length 'TL' | | Wt./C | |
|-----------------|---------|-------|--------------------|-------|-------|------|
| | in. | mm | in. | mm | lbs | kg |
| B700-J4 | 8 1/2" | 215.9 | 5" | 127.0 | 44 | 19.9 |
| B700-J6 | 11 1/2" | 292.1 | 6" | 152.4 | 53 | 24.0 |
| B700-J9 | 12 1/4" | 368.3 | 6" | 152.4 | 63 | 28.6 |
| B700-J12 | 17 1/2" | 444.5 | 6" | 152.4 | 78 | 35.4 |

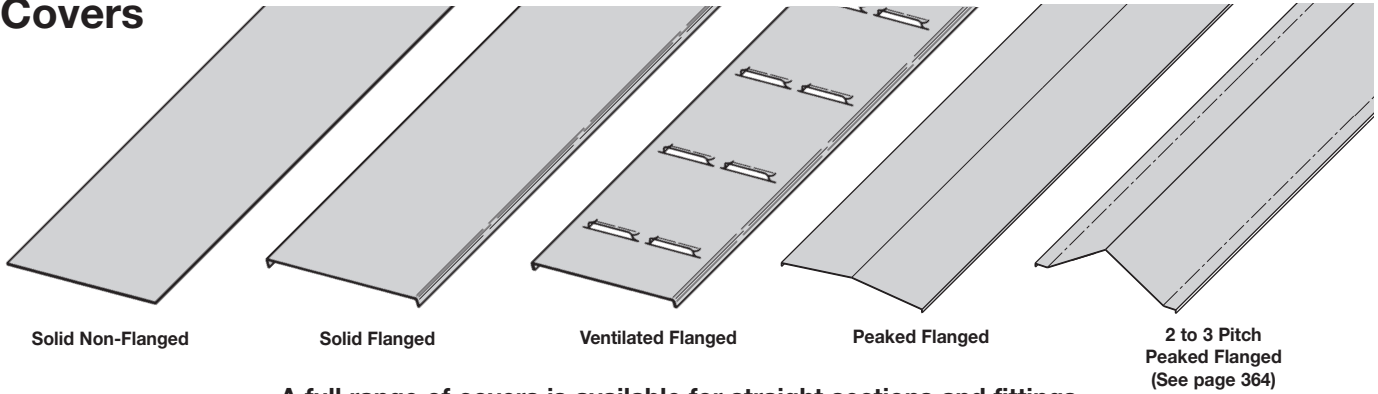
- Finish available: **ZN**
- Hex Nut included.



● Green = Fastest shipped items ● Black = Normal lead-time items ● Red = Normally long lead-time items

Series 2, 3, 4, & 5 Aluminum - Accessories

Covers



A full range of covers is available for straight sections and fittings.

Solid covers should be used when maximum enclosure of the cable is desired and no accumulation of heat is expected.

Ventilated covers provide an overhead cable shield, yet allow heat to escape.

Cooper B-Line recommends that covers be placed on vertical cable tray runs to a height of 6 ft. (1.83 m) to 8 ft. (2.44 m) above the floor to isolate both cables and personnel. **Flanged covers** have a 1/2 in. (13 mm) flange. Cover clamps are not included with the cover and must be ordered separately. All **peaked covers** are flanged. Standard peaked covers have 1/2" peak. Special purpose peaked covers, having a 2 to 3 pitch, provide additional slope and material thickness. The 2 to 3 pitch fitting covers are of multiple piece, welded construction.

Aluminum Cover Part Numbering

Prefix

Example: 80 7 A 40 - 24 - 144

Cover Type

- 80 = Solid
- 81 = Ventilated
- 82 = Peaked

Detail

- 6 = Non-Flanged (80 & 81 type only)
- 7 = Flange

Material

- A = Aluminum

Material Thickness

- 40 = .040 Aluminum
- All except 2 to 3 pitch

Tray Width

- 06 = 6"
- 09 = 9"
- 12 = 12"
- 18 = 18"
- 24 = 24"
- 30 = 30"
- 36 = 36"

See example below.

Item Description

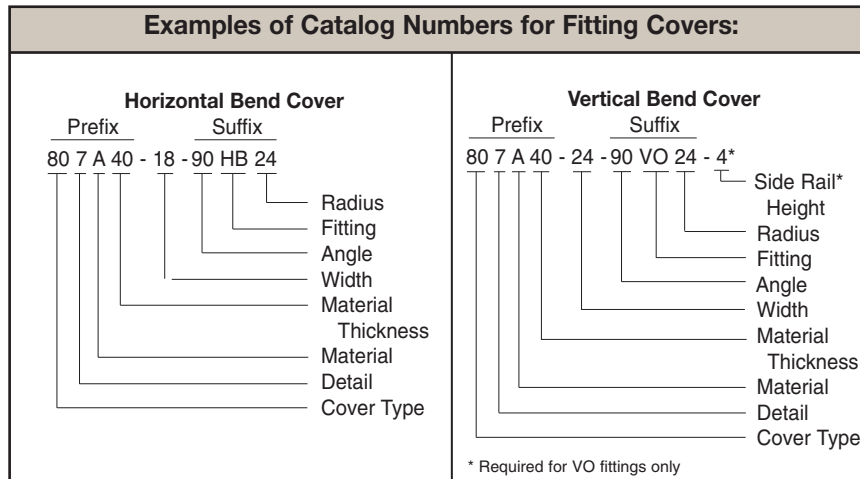
For Straight Section Cover:

- 144 = 12 ft. (3.66 m)
- 120 = 10 ft. (3.05 m)
- 72 = 6 ft. (1.83 m)
- 60 = 5 ft. (1.52 m)

For fitting covers: Insert suffix of fitting to be covered.

Covers 30" and 36" wide have reinforcing ridges.

Examples of Catalog Numbers for Fitting Covers:

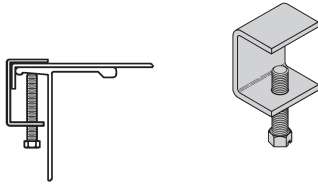


- Green = Fastest shipped items
- Black = Normal lead-time items
- Red = Normally long lead-time items

Series 2, 3, 4, & 5 Aluminum - Accessories

Standard Cover Clamp

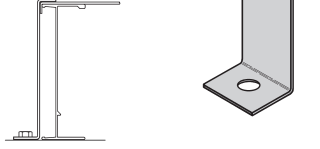
- For indoor service only.
- Setscrew included.
- Sold per piece.



| Tray Type | Side Rail Height | Catalog No. |
|-----------|------------------|-------------|
| Aluminum | All Sizes | ● 9ZN-9012 |
| | | ● 9A-9012 |

Combination Cover and Hold Down Clamp

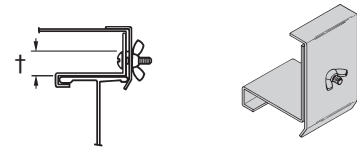
- Sold per piece.
- For indoor service only.



| Tray Type | Side Rail Height | | Catalog No. |
|-----------|------------------|-----|-------------|
| | in. | mm | |
| Aluminum | 4 | 101 | ● 9P-9043 |
| | 5 | 127 | ● 9P-9053 |
| | 6 | 152 | ● 9P-9063 |
| | 7 | 178 | ● 9P-9073 |

Raised Cover Clamp

- For indoor service only.
- For use with flanged covers only.

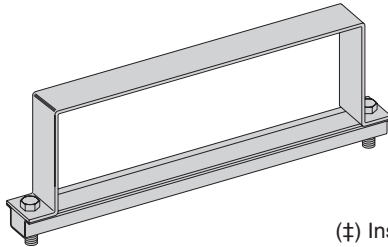


† Specify gap of 1", 2", 3" or 4".

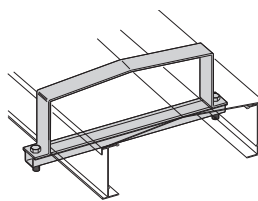
| Tray Type | Side Rail Height | Catalog No. |
|-----------|------------------|--------------|
| Aluminum | 4" & 5" Deep | ● 9ZN-9112-† |
| | 6" & 7" Deep | ● 9ZN-9113-† |

Heavy Duty Cover Clamp

- Recommended for outdoor service.



Peaked Cover Clamp



(‡) Insert tray width
† Add P to Catalog No. for peaked cover clamp.

| Side Rail Height | in. mm | | Catalog No. |
|------------------|--------|----|----------------|
| | in. | mm | |
| 4 | 101 | | ● 9A-(‡)-9044† |
| 5 | 127 | | ● 9A-(‡)-9054† |
| 6 | 152 | | ● 9A-(‡)-9064† |
| 7 | 178 | | ● 9A-(‡)-9074† |

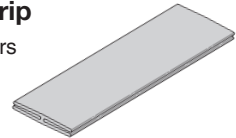
Quantity of Standard Cover Clamps Required

Straight Section 60" or 72"4 pcs.
Straight Section 120" or 144"6 pcs.
Horizontal/Vertical Bends4 pcs.
Tees6 pcs.
Crosses8 pcs.

Note: When using the Heavy Duty Cover Clamp, only one-half the number of clamps stated above is required.

Cover Joint Strip

- Used to join covers
- Plastic
- (‡) Insert tray width



Catalog No. ● 99-9980-(‡)

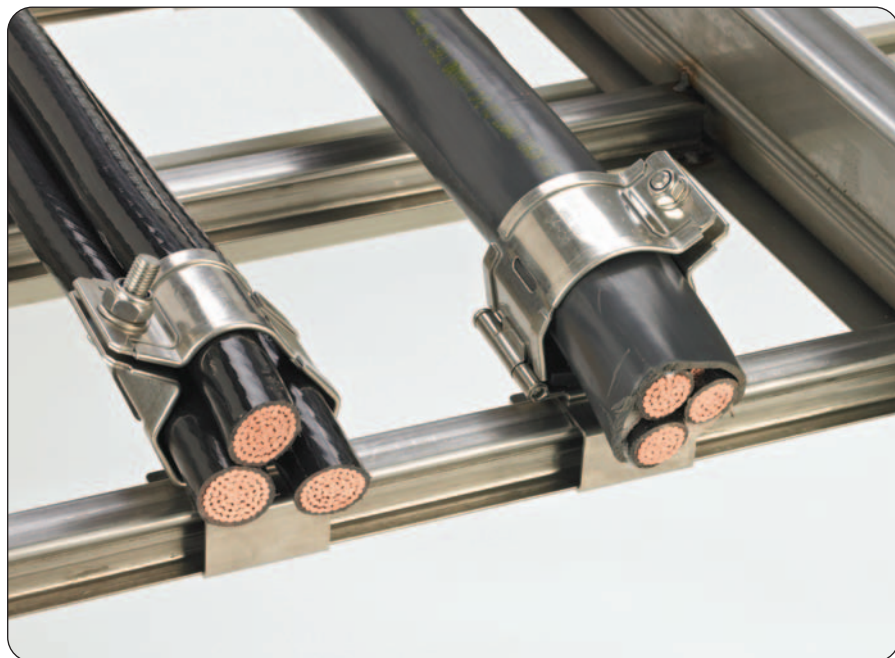
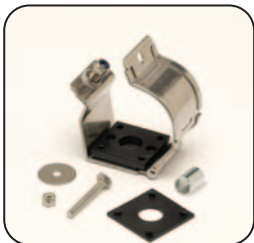
Cable Cleats

(see pages 356 thru 360)

Trefoil Cable Cleats



Single Cable Cleats



● Green = Fastest shipped items ● Black = Normal lead-time items ● Red = Normally long lead-time items

Section 1- Acceptable Manufacturers

- 1.01 Manufacturer: Subject to compliance with these specifications, cable tray systems shall be as manufactured by Cooper B-Line, Inc.

Section 2- Cable Tray Sections and Components

- 2.01 General: Except as otherwise indicated, provide metal cable trays, of types, classes and sizes indicated; with splice plates, bolts, nuts and washers for connecting units. Construct units with rounded edges and smooth surfaces; in compliance with applicable standards; and with the following additional construction features. Cable tray shall be installed according to the latest revision of NEMA VE 2.
- 2.02 Materials and Finish: Straight section and fitting side rails and rungs shall be extruded from Aluminum Association Alloy 6063. All fabricated parts shall be made from Aluminum Association Alloy 5052.
- 2.03 Ladder Cable Trays shall consist of two longitudinal members (side rails) with transverse members (rungs) welded to the side rails. Rungs shall be spaced [6] [9] [12] inches on center. Rung spacing in radiused fittings shall be industry standard 9" and measured at the center of the tray's width. Each rung must be capable of supporting a 200 lb. concentrated load at the center of the cable tray over and above the cable load with a safety factor of 1.5.
- 2.04 Ventilated Trough Cable Trays shall consist of two longitudinal members (side rails) with a corrugated bottom welded to the side rails or rungs spaced 4" on center. The peaks of the corrugated bottom shall have a minimum flat cable bearing surface of 2³/₄" and shall be spaced on 6" centers. To provide ventilation in the tray, the valleys of the corrugated bottom shall have 2¹/₄" x 4" rectangular holes punched along the width of the bottom.
- 2.05 Non-Ventilated Bottom Trough Cable Trays shall consist of two longitudinal members (side rails) with a corrugated bottom welded to the side rails or a solid sheet over rungs. The peaks of the corrugated bottom shall have a minimum flat cable bearing surface of 2³/₄" and shall be spaced on 6" centers.
- 2.06 Cable tray loading depth shall be [3] [4] [5] [6] inches per NEMA VE 1.
- 2.07 Straight sections shall have side rails fabricated as I-beams. Straight sections shall be supplied in standard [12 foot] [24 foot] [10 foot (3 m)] [20 foot (6 m)] lengths.
- 2.08 Cable tray widths shall be [6] [9] [12] [18] [24] [30] [36] inches or as shown on drawings.
- 2.09 Splice plates shall be the Wedge-Lock design with 4 nuts and bolts per plate. The resistance of fixed splice connections between an adjacent section of tray shall not exceed 0.00033 ohm.
- 2.10 All fittings must have a minimum radius of [12] [24] [36] [48] inches.

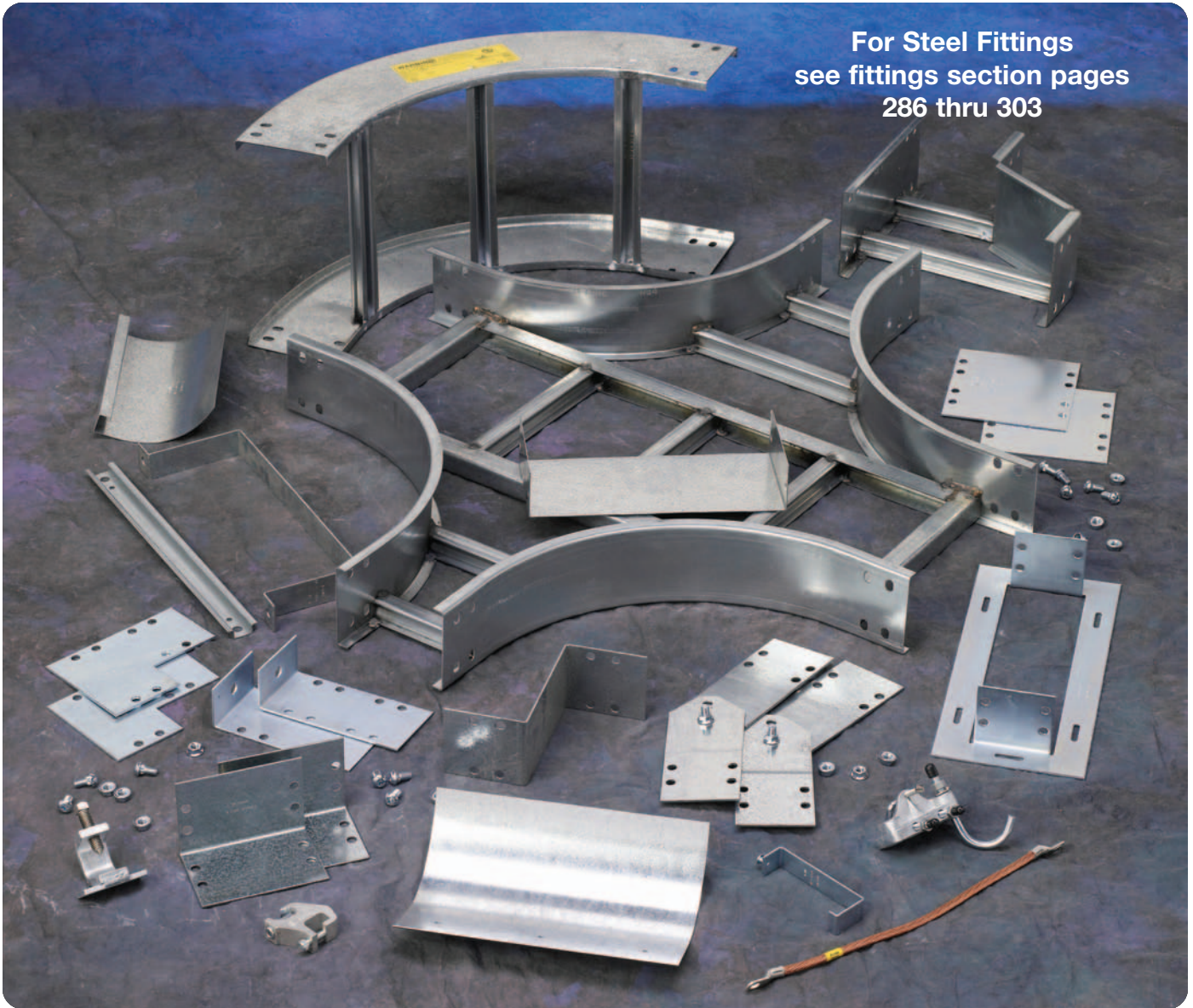
Section 3- Loading Capacities and Testing

- 3.01 Cable tray shall be capable of carrying a uniformly distributed load of _____ lbs./ft. on a _____ ft. support span with a safety factor of 1.5 when supported as a simple span and tested per NEMA VE 1 5.2. In addition to the uniformly distributed load the cable tray shall support 200 lbs. concentrated load at mid-point of span. Load and safety factors specified are applicable to both the side rails and rung capacities. Cable tray shall be made to manufacturing tolerances as specified by NEMA.
- 3.02 Upon request, manufacturer shall provide test reports in accordance with the latest revision of NEMA VE 1 or CSA C22.2 No. 126.

Series 2, 3, 4, & 5 Steel



Series 2, 3, 4, & 5 Steel



For Steel Fittings
see fittings section pages
286 thru 303

How The Service Advisor Works

B-Line knows that your time is important! That's why the color-coding system in this catalog is designed to help you select products that fit your service needs. Products are marked to indicate the typical lead time for orders of 50 pieces or less.

Customer: How do I select my straight sections, covers, or fittings so that I get the quickest turnaround?

Service Advisor: Each part of our selection chart is shown in colors. If any section of a part number is a different color, the part will typically ship with the longer lead time represented by the colors.

- Green = Fastest shipped items
- Black = Normal lead-time items
- Red = Normally long lead-time items

Example: 258G 12 - 24 - 144
 ● ● ● ●

**Part will have a long
lead time because of the
258G material.**

Changing the part number from 258G to 258P will change the coding to black and reduce lead time.

Series 2, 3, 4, & 5 Steel - Straight Sections

3" NEMA VE 1 Loading Depth 4" Side Rail Height

Straight Section Part Numbering

Prefix

Example: **248 P 09 - 24 - 144**

| Series | Material | *Type | *Width | Length | |
|--------|-------------------------------------|---|--|--------------------------------------|-----|
| ● 248 | ● P = Pre-Galvanized ● G = HDGAF | ● 06 = 6" rung spacing ● 09 = 9" rung spacing ● 12 = 12" rung spacing | ● 06 = 6" ● 09 = 9" ● 12 = 12" ● 18 = 18" ● 24 = 24" ● 30 = 30" ● 36 = 36" | ● ① 144 = 12 ft. ● ② 120 = 10 ft. | 248 |
| ● 346 | | | | ● ① 240 = 20 ft. ● ② 144 = 12 ft. | 346 |
| ● 444 | | | | ● ① 240 = 20 ft. ● ② 288 = 24 ft. | 444 |

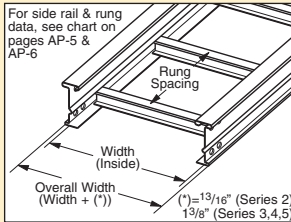
Trough-

6" thru 36" wide

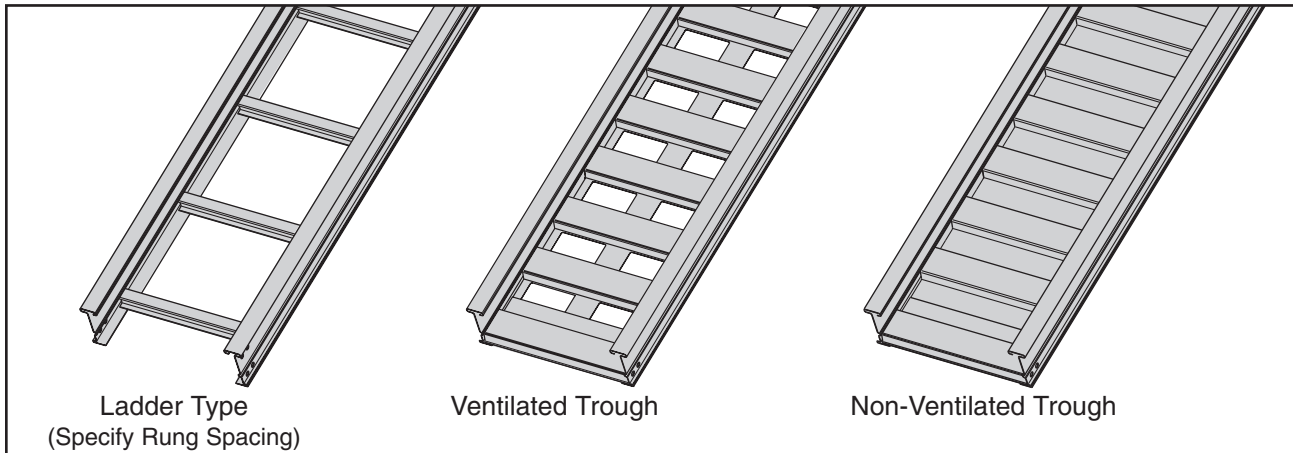
- VT = Vented Trough
- ST = Non-Ventilated Trough

- ① Primary Length.
- ② Secondary Length.

See page 39 for explanation of lengths.



See page 362 for additional rung options. *Special sizes available.



● Green = Fastest shipped items ● Black = Normal lead-time items ● Red = Normally long lead-time items

3" NEMA VE 1 Loading Depth 4" Side Rail Height

Values are based on simple beam tests per NEMA VE 1 on 36" wide cable tray with rungs spaced on 12" centers. Cable trays will support without collapse a 200 lb. (90.7 kg) concentrated load over and above published loads. Published load safety factor is 1.5. To convert 1.5 safety factor to 2.0, multiply published load by 0.75. To obtain mid-span deflection, multiply a load by the deflection multiplier. Cable tray must be supported on spans shorter than or equal to the length of the cable tray being installed.

Individual rungs will support without collapse a 200 lb. (90.7 kg) concentrated load applied at the mid-span of the rung, over and above the NEMA rated cable load with a 1.5 safety factor for highlighted NEMA spans and loads. See table on page 367 for rung capacities.

| B-Line Series | Side Rail Dimensions | NEMA, CSA & UL Classifications | Span ft | Load lbs/ft | Deflection Multiplier | Design Factors for Two Rails | Span meters | Load kg/m | Deflection Multiplier | Design Factors for Two Rails |
|---------------|----------------------|--|---------|-------------|-----------------------|---|-------------|-----------|-----------------------|---|
| 248 | | NEMA: 16A, 12C CSA: D1-3m UL Cross-Sectional Area: 0.40 in ² | 6 | 412* | 0.0007 | Area=0.62 in ² Sx=0.64 in ³ Ix=1.43 in ⁴ | 1.8 | 613* | 0.012 | Area=4.00 cm ² Sx=10.49 cm ³ Ix=59.52 cm ⁴ |
| | | | 8 | 232 | 0.0022 | | 2.4 | 345 | 0.038 | |
| | | | 10 | 148 | 0.0054 | | 3.0 | 221 | 0.093 | |
| | | | 12 | 103 | 0.011 | | 3.7 | 153 | 0.192 | |
| | | | 14 | 76 | 0.021 | | 4.3 | 113 | 0.356 | |
| | | | 16 | 58 | 0.036 | | 4.9 | 86 | 0.607 | |

| B-Line Series | Side Rail Dimensions | NEMA, CSA & UL Classifications | Span ft | Load lbs/ft | Deflection Multiplier | Design Factors for Two Rails | Span meters | Load kg/m | Deflection Multiplier | Design Factors for Two Rails |
|---------------|----------------------|--|---------|-------------|-----------------------|---|-------------|-----------|-----------------------|---|
| 346 | | NEMA: 20A, 16B CSA: D1-6m UL Cross-Sectional Area: 0.70 in ² | 10 | 252 | 0.0035 | Area=0.89 in ² Sx=0.96 in ³ Ix=2.22 in ⁴ | 3.0 | 375 | 0.060 | Area=5.74 cm ² Sx=15.73 cm ³ Ix=92.40 cm ⁴ |
| | | | 12 | 175 | 0.0072 | | 3.7 | 260 | 0.124 | |
| | | | 14 | 129 | 0.013 | | 4.3 | 191 | 0.229 | |
| | | | 16 | 98 | 0.023 | | 4.9 | 146 | 0.391 | |
| | | | 18 | 78 | 0.037 | | 5.5 | 116 | 0.626 | |
| | | | 20 | 63 | 0.056 | | 6.1 | 94 | 0.955 | |

| B-Line Series | Side Rail Dimensions | NEMA, CSA & UL Classifications | Span ft | Load lbs/ft | Deflection Multiplier | Design Factors for Two Rails | Span meters | Load kg/m | Deflection Multiplier | Design Factors for Two Rails |
|---------------|----------------------|---|---------|-------------|-----------------------|---|-------------|-----------|-----------------------|--|
| 444 | | NEMA: 20B, 16C CSA: E-3m UL Cross-Sectional Area: 1.00 in ² | 12 | 253 | 0.0055 | Area=1.19 in ² Sx=1.27 in ³ Ix=2.94 in ⁴ | 3.7 | 376 | 0.093 | Area=7.68 cm ² Sx=20.81 cm ³ Ix=122.37 cm ⁴ |
| | | | 16 | 142 | 0.017 | | 4.9 | 212 | 0.295 | |
| | | | 18 | 112 | 0.028 | | 5.5 | 167 | 0.473 | |
| | | | 20 | 91 | 0.042 | | 6.1 | 135 | 0.721 | |
| | | | 22 | 75 | 0.062 | | 6.7 | 112 | 1.055 | |
| | | | 24 | 63 | 0.088 | | 7.3 | 94 | 1.495 | |

*When using 18" rung spacing, load capacity is limited to 394 lbs/ft (586.272 kg/m) for 30" cable tray width and 325 lbs/ft (483.6 kg/m) for 36" cable tray width. When cable trays are used in continuous spans, the deflection of the cable tray is reduced by as much as 50%. Design factors: Ix = Moment of Inertia, Sx = Section Modulus.

Series 2, 3, 4, & 5 Steel - Straight Sections

4" NEMA VE 1 Loading Depth 5" Side Rail Height

Straight Section Part Numbering

Prefix

Example: **258 P 09 - 24 - 144**

| Series | Material | *Type | *Width | Length | |
|--------|-------------------------------------|--|--|--------------------------------------|-----|
| ● 258 | ● P = Pre-Galvanized ● G = HDGAF | ● Ladder- ● 06 = 6" rung spacing ● 09 = 9" rung spacing ● 12 = 12" rung spacing | ● 06 = 6" ● 09 = 9" ● 12 = 12" ● 18 = 18" ● 24 = 24" ● 30 = 30" ● 36 = 36" | ● ① 144 = 12 ft. ● ② 120 = 10 ft. | 258 |
| ● 356 | | | | ● ① 240 = 20 ft. ● ② 144 = 12 ft. | 356 |
| ● 454 | | | | ● ① 240 = 20 ft. ● ② 288 = 24 ft. | 454 |

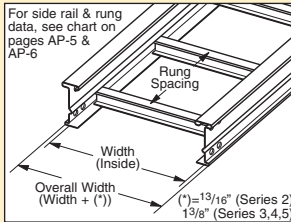
Trough-

6" thru 36" wide

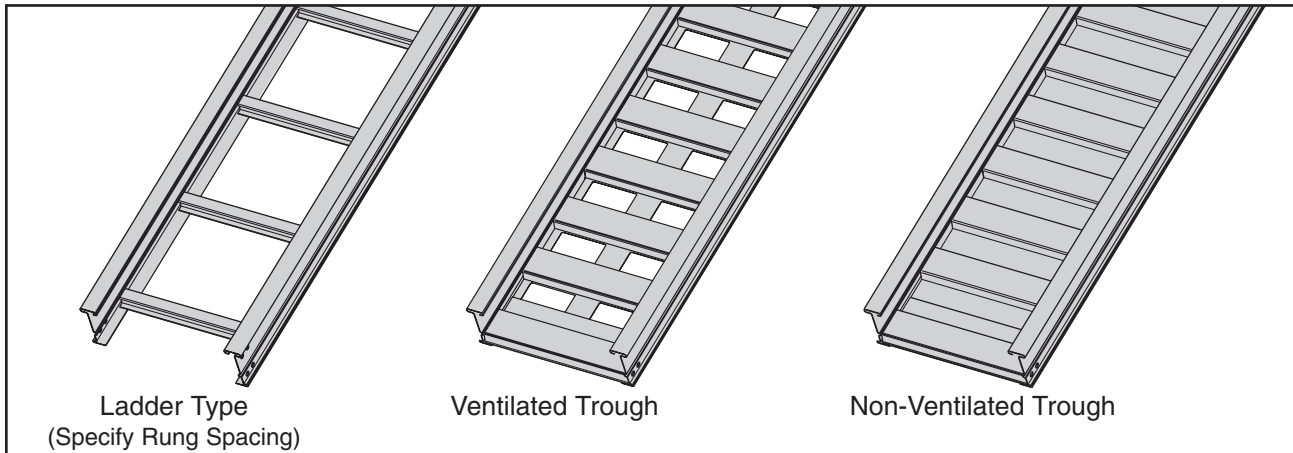
- VT = Vented Trough
- ST = Non-Vented Trough

- ① Primary Length.
- ② Secondary Length.

See page 39 for explanation of lengths.



See page 362 for additional rung options. *Special sizes available.



● Green = Fastest shipped items ● Black = Normal lead-time items ● Red = Normally long lead-time items

4" NEMA VE 1 Loading Depth 5" Side Rail Height

Values are based on simple beam tests per NEMA VE 1 on 36" wide cable tray with rungs spaced on 12" centers. Cable trays will support without collapse a 200 lb. (90.7 kg) concentrated load over and above published loads. Published load safety factor is 1.5. To convert 1.5 safety factor to 2.0, multiply published load by 0.75. To obtain mid-span deflection, multiply a load by the deflection multiplier. Cable tray must be supported on spans shorter than or equal to the length of the cable tray being installed.

Individual rungs will support without collapse a 200 lb. (90.7 kg) concentrated load applied at the mid-span of the rung, over and above the NEMA rated cable load with a 1.5 safety factor for highlighted NEMA spans and loads. See table on page 367 for rung capacities.

| B-Line Series | Side Rail Dimensions | NEMA, CSA & UL Classifications | Span ft | Load lbs/ft | Deflection Multiplier | Design Factors for Two Rails | Span meters | Load kg/m | Deflection Multiplier | Design Factors for Two Rails |
|---------------|----------------------|--|---------|-------------|-----------------------|---|-------------|-----------|-----------------------|--|
| 258 | | NEMA: 16A, 12C CSA: D1-3m UL Cross-Sectional Area: 0.40 in ² | 6 | 436* | 0.0004 | Area=0.71 in ² Sx=0.89 in ³ Ix=2.44 in ⁴ | 1.8 | 649* | 0.007 | Area=4.58 cm ² Sx=14.58 cm ³ Ix=101.56 cm ⁴ |
| | | | 8 | 245 | 0.0013 | | 2.4 | 365 | 0.022 | |
| | | | 10 | 157 | 0.0032 | | 3.0 | 234 | 0.054 | |
| | | | 12 | 109 | 0.0066 | | 3.7 | 162 | 0.113 | |
| | | | 14 | 80 | 0.012 | | 4.3 | 119 | 0.209 | |
| | | | 16 | 61 | 0.021 | | 4.9 | 91 | 0.356 | |

| B-Line Series | Side Rail Dimensions | NEMA, CSA & UL Classifications | Span ft | Load lbs/ft | Deflection Multiplier | Design Factors for Two Rails | Span meters | Load kg/m | Deflection Multiplier | Design Factors for Two Rails |
|---------------|----------------------|--|---------|-------------|-----------------------|---|-------------|-----------|-----------------------|--|
| 356 | | NEMA: 20A, 16C CSA: D1-6m UL Cross-Sectional Area: 0.70 in ² | 10 | 276 | 0.0021 | Area=1.00 in ² Sx=1.31 in ³ Ix=3.73 in ⁴ | 3.0 | 411 | 0.036 | Area=6.45 cm ² Sx=21.47 cm ³ Ix=155.25 cm ⁴ |
| | | | 12 | 192 | 0.0043 | | 3.7 | 285 | 0.074 | |
| | | | 14 | 141 | 0.0080 | | 4.3 | 210 | 0.136 | |
| | | | 16 | 108 | 0.014 | | 4.9 | 160 | 0.233 | |
| | | | 18 | 85 | 0.022 | | 5.5 | 127 | 0.373 | |
| | | | 20 | 69 | 0.033 | | 6.1 | 103 | 0.568 | |

| B-Line Series | Side Rail Dimensions | NEMA, CSA & UL Classifications | Span ft | Load lbs/ft | Deflection Multiplier | Design Factors for Two Rails | Span meters | Load kg/m | Deflection Multiplier | Design Factors for Two Rails |
|---------------|----------------------|--|---------|-------------|-----------------------|---|-------------|-----------|-----------------------|--|
| 454 | | NEMA: 20C CSA: E-6m UL Cross-Sectional Area: 1.00 in ² | 12 | 294 | 0.0032 | Area=1.34 in ² Sx=1.75 in ³ Ix=4.96 in ⁴ | 3.7 | 438 | 0.055 | Area=8.65 cm ² Sx=28.68 cm ³ Ix=206.45 cm ⁴ |
| | | | 16 | 166 | 0.010 | | 4.9 | 246 | 0.175 | |
| | | | 18 | 131 | 0.016 | | 5.5 | 195 | 0.280 | |
| | | | 20 | 106 | 0.025 | | 6.1 | 158 | 0.427 | |
| | | | 22 | 88 | 0.037 | | 6.7 | 130 | 0.625 | |
| | | | 24 | 74 | 0.052 | | 7.3 | 110 | 0.886 | |

* When using 18" rung spacing, load capacity is limited to 394 lbs/ft (586.272 kg/m) for 30" cable tray width and 325 lbs/ft (483.6 kg/m) for 36" cable tray width. When cable trays are used in continuous spans, the deflection of the cable tray is reduced by as much as 50%. Design factors: Ix = Moment of Inertia, Sx = Section Modulus.

Series 2, 3, 4, & 5 Steel - Straight Sections

5" NEMA VE 1 Loading Depth 6" Side Rail Height

Straight Section Part Numbering

Prefix

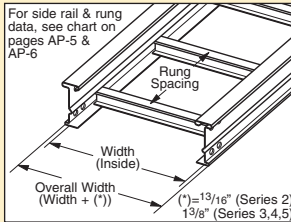
Example: **268 P 09 - 24 - 144**

| Series | Material | *Type | *Width | Length | |
|--------|-------------------------------------|--|--|--------------------------------------|-----|
| ● 268 | ● P = Pre-Galvanized ● G = HDGAF | ● Ladder- ● 06 = 6" rung spacing ● 09 = 9" rung spacing ● 12 = 12" rung spacing | ● 06 = 6" ● 09 = 9" ● 12 = 12" ● 18 = 18" ● 24 = 24" ● 30 = 30" ● 36 = 36" | ● ① 144 = 12 ft. ● ② 120 = 10 ft. | 268 |
| ● 366 | | | | ● ① 240 = 20 ft. ● ② 144 = 12 ft. | 366 |
| ● 464 | | | | ● ① 240 = 20 ft. ● ② 288 = 24 ft. | 464 |

Trough-

6" thru 36" wide

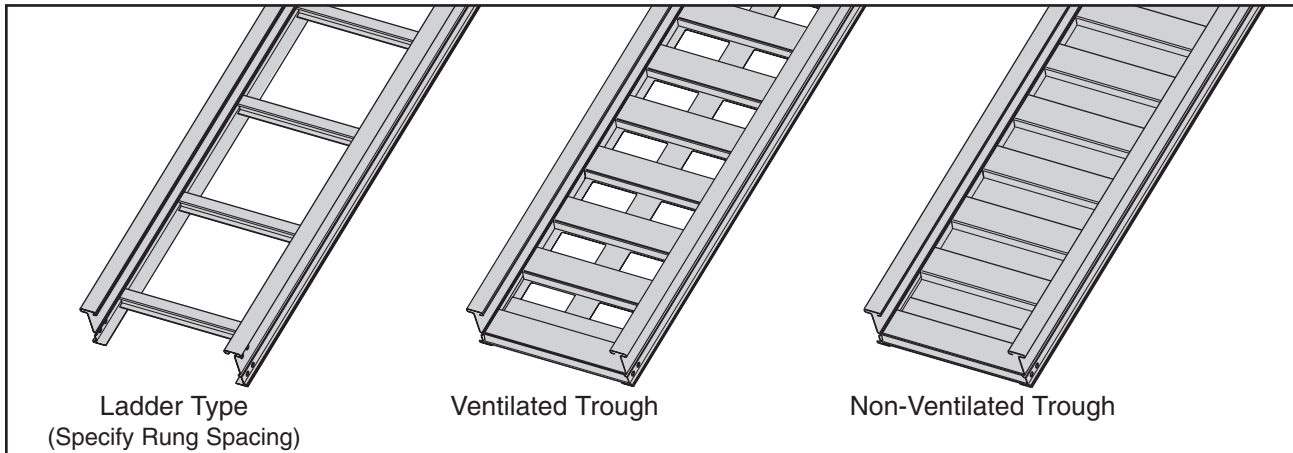
- VT = Vented Trough
- ST = Non-Ventilated Trough



- ① Primary Length.
- ② Secondary Length.

See page 39 for explanation of lengths.

See page 362 for additional rung options. *Special sizes available.



● Green = Fastest shipped items ● Black = Normal lead-time items ● Red = Normally long lead-time items

5" NEMA VE 1 Loading Depth 6" Side Rail Height

Values are based on simple beam tests per NEMA VE 1 on 36" wide cable tray with rungs spaced on 12" centers. Cable trays will support without collapse a 200 lb. (90.7 kg) concentrated load over and above published loads. Published load safety factor is 1.5. To convert 1.5 safety factor to 2.0, multiply published load by 0.75. To obtain mid-span deflection, multiply a load by the deflection multiplier. Cable tray must be supported on spans shorter than or equal to the length of the cable tray being installed.

Individual rungs will support without collapse a 200 lb. (90.7 kg) concentrated load applied at the mid-span of the rung, over and above the NEMA rated cable load with a 1.5 safety factor for highlighted NEMA spans and loads. See table on page 367 for rung capacities.

| B-Line Series | Side Rail Dimensions | NEMA, CSA & UL Classifications | Span ft | Load lbs/ft | Deflection Multiplier | Design Factors for Two Rails | Span meters | Load kg/m | Deflection Multiplier | Design Factors for Two Rails |
|---------------|----------------------|--|---------|-------------|-----------------------|---|-------------|-----------|-----------------------|--|
| 368 | | NEMA: 16A, 12C CSA: D1-3m UL Cross-Sectional Area: 0.70 in ² | 6 | 440* | 0.0003 | Area=0.80 in ² Sx=1.18 in ³ Ix=3.81 in ⁴ | 1.8 | 655* | 0.005 | Area=5.16 cm ² Sx=19.34 cm ³ Ix=158.58 cm ⁴ |
| | | | 8 | 248 | 0.0008 | | 2.4 | 368 | 0.014 | |
| | | | 10 | 158 | 0.0020 | | 3.0 | 236 | 0.035 | |
| | | | 12 | 110 | 0.0042 | | 3.7 | 164 | 0.072 | |
| | | | 14 | 81 | 0.0078 | | 4.3 | 120 | 0.134 | |
| | | | 16 | 62 | 0.013 | | 4.9 | 92 | 0.228 | |

| B-Line Series | Side Rail Dimensions | NEMA, CSA & UL Classifications | Span ft | Load lbs/ft | Deflection Multiplier | Design Factors for Two Rails | Span meters | Load kg/m | Deflection Multiplier | Design Factors for Two Rails |
|---------------|----------------------|---|---------|-------------|-----------------------|---|-------------|-----------|-----------------------|--|
| 366 | | NEMA: 20B, 16C CSA: E-6m UL Cross-Sectional Area: 1.00 in ² | 10 | 300 | 0.0014 | Area=1.11 in ² Sx=1.71 in ³ Ix=5.74 in ⁴ | 3.0 | 446 | 0.023 | Area=7.16 cm ² Sx=28.02 cm ³ Ix=238.92 cm ⁴ |
| | | | 12 | 208 | 0.0028 | | 3.7 | 310 | 0.048 | |
| | | | 14 | 153 | 0.0052 | | 4.3 | 228 | 0.089 | |
| | | | 16 | 117 | 0.0089 | | 4.9 | 174 | 0.151 | |
| | | | 18 | 93 | 0.014 | | 5.5 | 138 | 0.242 | |
| | | | 20 | 75 | 0.022 | | 6.1 | 112 | 0.369 | |

| B-Line Series | Side Rail Dimensions | NEMA, CSA & UL Classifications | Span ft | Load lbs/ft | Deflection Multiplier | Design Factors for Two Rails | Span meters | Load kg/m | Deflection Multiplier | Design Factors for Two Rails |
|---------------|----------------------|--|---------|-------------|-----------------------|---|-------------|-----------|-----------------------|--|
| 464 | | NEMA: 20C CSA: E-6m UL Cross-Sectional Area: 1.00 in ² | 12 | 342* | 0.002 | Area=1.49 in ² Sx=2.28 in ³ Ix=7.65 in ⁴ | 3.7 | 508* | 0.036 | Area=9.61 cm ² Sx=37.36 cm ³ Ix=318.42 cm ⁴ |
| | | | 16 | 192 | 0.007 | | 4.9 | 286 | 0.113 | |
| | | | 18 | 152 | 0.011 | | 5.5 | 226 | 0.182 | |
| | | | 20 | 123 | 0.016 | | 6.1 | 183 | 0.277 | |
| | | | 22 | 102 | 0.024 | | 6.7 | 151 | 0.406 | |
| | | | 24 | 85 | 0.034 | | 7.3 | 127 | 0.574 | |

* When using 18" rung spacing, load capacity is limited to 394 lbs/ft (586.272 kg/m) for 30" cable tray width and 325 lbs/ft (483.6 kg/m) for 36" cable tray width. When cable trays are used in continuous spans, the deflection of the cable tray is reduced by as much as 50%. Design factors: Ix = Moment of Inertia, Sx = Section Modulus.

Series 2, 3, 4, & 5 Steel - Straight Sections

6" NEMA VE 1 Loading Depth
7" Side Rail Height

Straight Section Part Numbering

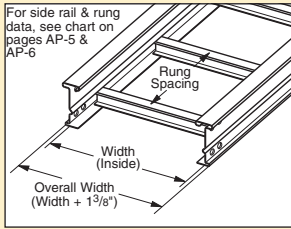
Prefix

Example: **378 P 09 - 24 - 240**

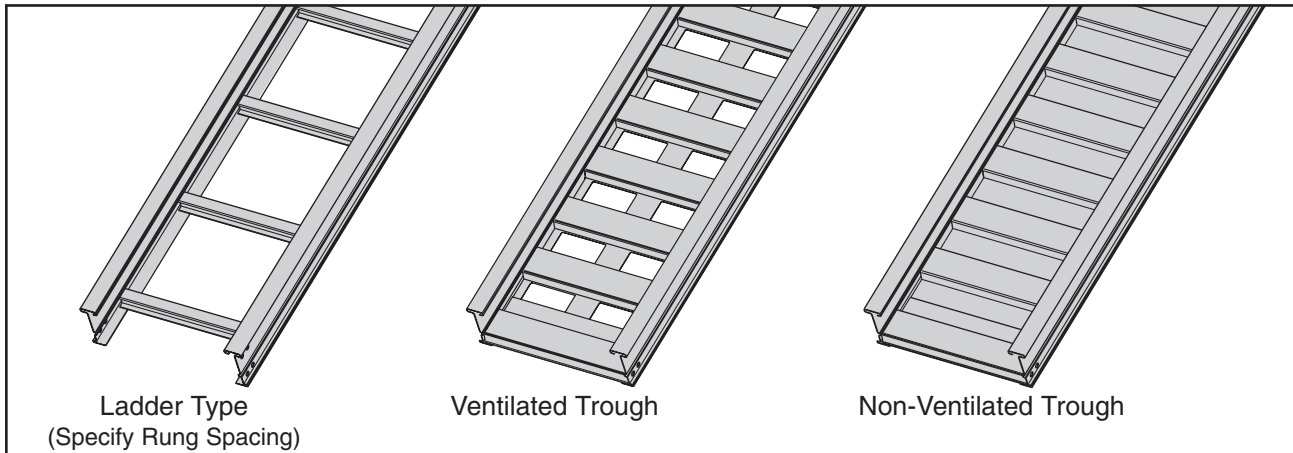
| Series | Material | *Type | *Width | Length | |
|--------|-------------------------------------|--|--|--------------------------------------|-----|
| ● 378 | ● P = Pre-Galvanized ● G = HDGAF | ● Ladder- ● 06 = 6" rung spacing ● 09 = 9" rung spacing ● 12 = 12" rung spacing | ● 06 = 6" ● 09 = 9" ● 12 = 12" ● 18 = 18" ● 24 = 24" ● 30 = 30" ● 36 = 36" | ● ① 144 = 12 ft. ● ② 240 = 20 ft. | 378 |
| ● 476 | | | | ● ① 240 = 20 ft. ● ② 288 = 24 ft. | 476 |
| ● 574 | | | | ● ① 240 = 20 ft. ● ② 288 = 24 ft. | 574 |

① Primary Length.
② Secondary Length.

See page 39 for explanation of lengths.



See page 362 for additional rung options. *Special sizes available.



● Green = Fastest shipped items ● Black = Normal lead-time items ● Red = Normally long lead-time items

6" NEMA VE 1 Loading Depth 7" Side Rail Height

Values are based on simple beam tests per NEMA VE 1 on 36" wide cable tray with rungs spaced on 12" centers. Cable trays will support without collapse a 200 lb. (90.7 kg) concentrated load over and above published loads. Published load safety factor is 1.5. To convert 1.5 safety factor to 2.0, multiply published load by 0.75. To obtain mid-span deflection, multiply a load by the deflection multiplier. Cable tray must be supported on spans shorter than or equal to the length of the cable tray being installed.

Individual rungs will support without collapse a 200 lb. (90.7 kg) concentrated load applied at the mid-span of the rung, over and above the NEMA rated cable load with a 1.5 safety factor for highlighted NEMA spans and loads. See table on page 367 for rung capacities.

| B-Line Series | Side Rail Dimensions | NEMA, CSA & UL Classifications | Span ft | Load lbs/ft | Deflection Multiplier | Design Factors for Two Rails | Span meters | Load kg/m | Deflection Multiplier | Design Factors for Two Rails |
|---------------|----------------------|--|---------|-------------|-----------------------|---|-------------|-----------|-----------------------|--|
| 378 | | NEMA: 20A, 16B CSA: D1-3m UL Cross-Sectional Area: 0.70 in ² | 8 | 319 | 0.0006 | Area=1.01 in ² Sx=1.77 in ³ Ix=6.90 in ⁴ | 2.4 | 474 | 0.009 | Area=6.52 cm ² Sx=29.01 cm ³ Ix=287.20 cm ⁴ |
| | | | 10 | 204 | 0.0014 | | 3.0 | 304 | 0.023 | |
| | | | 12 | 142 | 0.0028 | | 3.7 | 211 | 0.048 | |
| | | | 14 | 104 | 0.0052 | | 4.3 | 155 | 0.089 | |
| | | | 16 | 80 | 0.0089 | | 4.9 | 119 | 0.151 | |
| | | | 18 | 63 | 0.014 | | 5.5 | 94 | 0.242 | |
| | | | 20 | 51 | 0.022 | | 6.1 | 76 | 0.369 | |

| B-Line Series | Side Rail Dimensions | NEMA, CSA & UL Classifications | Span ft | Load lbs/ft | Deflection Multiplier | Design Factors for Two Rails | Span meters | Load kg/m | Deflection Multiplier | Design Factors for Two Rails |
|---------------|----------------------|--|---------|-------------|-----------------------|---|-------------|-----------|-----------------------|--|
| 476 | | NEMA: 20B, 16C CSA: D1-6m UL Cross-Sectional Area: 1.00 in ² | 12 | 214 | 0.0019 | Area=1.22 in ² Sx=2.14 in ³ Ix=8.30 in ⁴ | 3.7 | 318 | 0.033 | Area=7.87 cm ² Sx=35.07 cm ³ Ix=345.47 cm ⁴ |
| | | | 16 | 120 | 0.0061 | | 4.9 | 179 | 0.105 | |
| | | | 18 | 95 | 0.010 | | 5.5 | 141 | 0.168 | |
| | | | 20 | 77 | 0.015 | | 6.1 | 115 | 0.255 | |
| | | | 22 | 64 | 0.022 | | 6.7 | 95 | 0.374 | |
| | | | 24 | 53 | 0.031 | | 7.3 | 80 | 0.529 | |

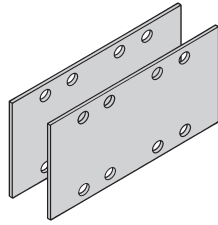
| B-Line Series | Side Rail Dimensions | NEMA, CSA & UL Classifications | Span ft | Load lbs/ft | Deflection Multiplier | Design Factors for Two Rails | Span meters | Load kg/m | Deflection Multiplier | Design Factors for Two Rails |
|---------------|----------------------|--|---------|-------------|-----------------------|--|-------------|-----------|-----------------------|---|
| 574 | | NEMA: 20C CSA: E-6m UL Cross-Sectional Area: 1.50 in ² | 12 | 361 | 0.0014 | Area=1.64 in ² Sx=2.87 in ³ Ix=11.10 in ⁴ | 3.7 | 537 | 0.025 | Area=10.58 cm ² Sx=47.03 cm ³ Ix=462.02 cm ⁴ |
| | | | 16 | 203 | 0.0046 | | 4.9 | 302 | 0.078 | |
| | | | 18 | 160 | 0.0073 | | 5.5 | 239 | 0.125 | |
| | | | 20 | 130 | 0.011 | | 6.1 | 193 | 0.191 | |
| | | | 22 | 107 | 0.016 | | 6.7 | 160 | 0.280 | |
| | | | 24 | 90 | 0.023 | | 7.3 | 134 | 0.396 | |

When cable trays are used in continuous spans, the deflection of the cable tray is reduced by as much as 50%. Design factors:
Ix = Moment of Inertia, Sx = Section Modulus.

Series 2, 3, 4, & 5 Steel - Accessories

Splice Plates

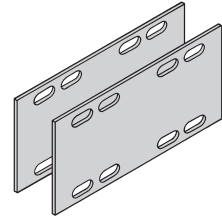
- Standard 8-hole pattern for all steel splice plates.
- Furnished in pairs with hardware.
- One pair including hardware provided with straight section.
- Boxed in pairs with hardware.
- (*) Insert **ZN** or **G**



| Catalog No. | Height | |
|-------------|--------|-----|
| | in. | mm |
| 9(*)-8004 | 4 | 101 |
| 9(*)-8005 | 5 | 127 |
| 9(*)-8006 | 6 | 152 |
| 9(*)-8007 | 7 | 178 |

Expansion Splice Plates

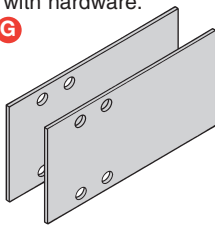
- Expansion plates allow for one inch expansion or contraction of the cable tray, or where expansion joints occur in the support structure.
- Furnished in pairs with hardware.
- **Bonding Jumpers are required on each siderail. Order Separately.**
- (*) Insert **ZN** or **G**



| Catalog No. | Height | |
|-------------|--------|-----|
| | in. | mm |
| 9(*)-8014 | 4 | 101 |
| 9(*)-8015 | 5 | 127 |
| 9(*)-8016 | 6 | 152 |
| 9(*)-8017 | 7 | 178 |

Universal Splice Plates

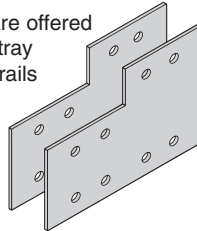
- Used to splice to existing cable tray systems.
- Furnished in pairs with hardware.
- (*) Insert **ZN** or **G**



| Catalog No. | Height | |
|---------------|--------|-----|
| | in. | mm |
| 9(*)-8004-1/2 | 4 | 101 |
| 9(*)-8005-1/2 | 5 | 127 |
| 9(*)-8006-1/2 | 6 | 152 |
| 9(*)-8007-1/2 | 7 | 178 |

Step Down Splice Plates

- These splice plates are offered for connecting cable tray sections having side rails of different heights.
- Furnished in pairs with hardware.
- (*) Insert **ZN** or **G**

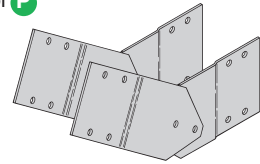


| Catalog No. | Height | |
|-------------|--------|------------|
| | in. | mm |
| 9(*)-8045 | 5 to 4 | 127 to 101 |
| 9(*)-8046 | 6 to 4 | 152 to 101 |
| 9(*)-8060 | 6 to 5 | 152 to 127 |
| 9(*)-8047 | 7 to 4 | 178 to 101 |
| 9(*)-8061 | 7 to 5 | 178 to 127 |
| 9(*)-8062 | 7 to 6 | 178 to 152 |

Vertical Adjustable Splice Plates

- These plates provide for changes in elevation that do not conform to standard vertical fittings.
- Furnished in pairs with hardware.
- **Bonding Jumpers not required.**
- (*) Insert **G** or **P**

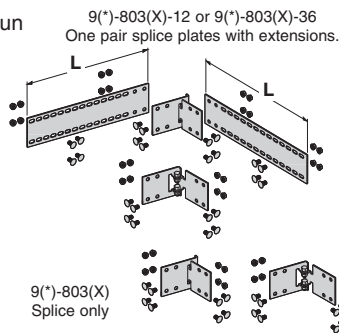
Requires supports within 24" on both sides, per NEMA VE 2.



| Catalog No. | Height | |
|-------------|--------|-----|
| | in. | mm |
| 9(*)-8024 | 4 | 101 |
| 9(*)-8025 | 5 | 127 |
| 9(*)-8026 | 6 | 152 |
| 9(*)-8027 | 7 | 178 |

Horizontal Adjustable Splice Plates

- Offered to adjust a cable tray run for changes in direction in a horizontal plane that do not conform to standard horizontal fittings.
- Furnished in pairs with hardware.
- New design bonding jumpers **not** required.
- (*) Insert **ZN** or **G**
- (X) Insert 4, 5, 6 or 7 for side rail height.

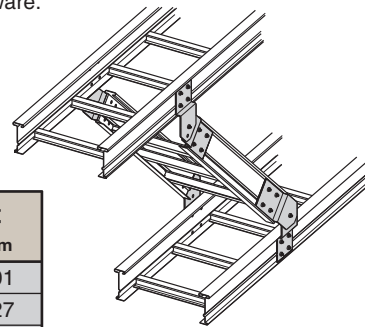


| Catalog No. | Cable Tray End Cut | Tray Width | 'L' |
|----------------|--------------------|------------|-----|
| 9(*)-803(X) | Mitered | Thru 36" | N/A |
| 9(*)-803(X)-12 | Not mitered | Thru 12" | 16" |
| 9(*)-803(X)-36 | Not mitered | Thru 36" | 41" |

Requires supports within 24" on both sides, per NEMA VE 2.

Branch Pivot Connectors

- Branch from existing cable tray runs at any point.
- Pivot to any required angle.
- UL Classified for grounding (bonding jumper not required).
- Furnished in pairs with hardware.
- (*) Insert **ZN** or **G**

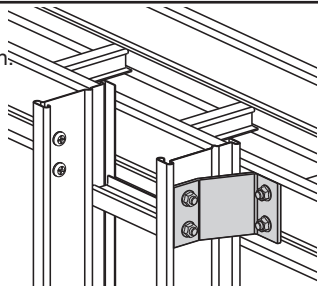
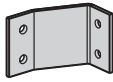


| Catalog No. | Height | |
|-------------|--------|-----|
| | in. | mm |
| 9(*)-8244 | 4 | 101 |
| 9(*)-8245 | 5 | 127 |
| 9(*)-8246 | 6 | 152 |
| 9(*)-8247 | 7 | 178 |

● Green = Fastest shipped items ● Black = Normal lead-time items ● Red = Normally long lead-time items

Cross Connector Bracket

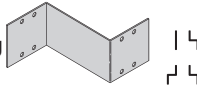
- For field connecting crossing sections.
- Furnished in pairs with $\frac{3}{8}$ " hardware.
- (*) Insert **ZN** or **G**



Catalog No. 9(*)-1240

Offset Reducing Splice Plate

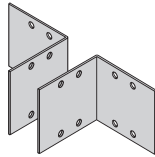
- This plate is used for joining cable trays having different widths. When used in pairs they form a straight reduction; when used singly with a standard splice plate, they form an offset reduction.
- Furnished as one plate with hardware.
- (‡) Insert reduction
- (*) Insert **G** or **P**



| Catalog No. | Height | |
|---------------|--------|-----|
| | in. | mm |
| 9(*)-8064-(‡) | 4 | 101 |
| 9(*)-8065-(‡) | 5 | 127 |
| 9(*)-8066-(‡) | 6 | 152 |
| 9(*)-8067-(‡) | 7 | 178 |

Tray to Box Splice Plates

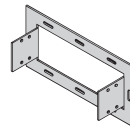
- Used to attach the end of a cable tray run to a distribution box or control panel.
- Furnished in pairs with hardware.
- (*) Insert **G** or **P**



| Catalog No. | Height | |
|-------------|--------|-----|
| | in. | mm |
| 9(*)-8054 | 4 | 101 |
| 9(*)-8055 | 5 | 127 |
| 9(*)-8056 | 6 | 152 |
| 9(*)-8057 | 7 | 178 |

Frame Type Box Connector

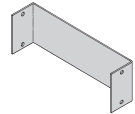
- Designed to attach the end of a cable tray run to a distribution cabinet or control center to help reinforce the box at the point of entry.
- Furnished with tray connection hardware.
- (*) Insert **ZN** or **G**
- (‡) Insert tray width



| Catalog No. | Height | |
|---------------|--------|-----|
| | in. | mm |
| 9(*)-8074-(‡) | 4 | 101 |
| 9(*)-8075-(‡) | 5 | 127 |
| 9(*)-8076-(‡) | 6 | 152 |
| 9(*)-8077-(‡) | 7 | 178 |

Blind End

- This plate forms a closure for a dead end cable tray.
- Furnished as one plate with hardware.
- (*) Insert **G** or **P**
- (‡) Insert tray width



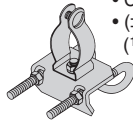
| Catalog No. | Height | |
|---------------|--------|-----|
| | in. | mm |
| 9(*)-8084-(‡) | 4 | 101 |
| 9(*)-8085-(‡) | 5 | 127 |
| 9(*)-8086-(‡) | 6 | 152 |
| 9(*)-8087-(‡) | 7 | 178 |

Conduit to Tray Adaptors

- Assembly required.
- Mounting hardware included.
- Conduit clamps provided.
- (‡)=Conduit size ($\frac{1}{2}$ " thru 4").

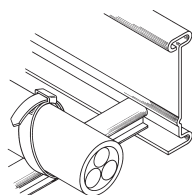


- Assembly required.
- Conduit clamp included.
- (‡)=Conduit size ($\frac{1}{2}$ " thru 4").



Catalog No. ● 9ZN-1150-(‡) Catalog No. ● 9ZN-1155-(‡)

Cable Tie (Ladder Tray)



Nylon ties provide easy attachment of cable to ladder rungs; maximum cable O.D. of 3" (76mm).



Overall Length 15"

Catalog No. ● 99-2125-15

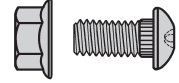
Tray Hardware

Pre-Galvanized Tray Hardware

Catalog No. **ZN** RNCB $\frac{3}{8}$ "-16 x $\frac{3}{4}$ " ZnpIt Ribbed Neck Carriage Bolt ASTM A307 Grade A

Catalog No. **ZN** SFHN $\frac{3}{8}$ "-16 ZnpIt Serrated Flange Hex Nut ASTM A563 Grade A

Finish: Zinc Plated ASTM B633, SC1



Hot Dip Galvanized Tray Hardware

Standard: Catalog No. **CZ** RNCB $\frac{3}{8}$ "-16 x $\frac{3}{4}$ " CZ Ribbed Neck Carriage Bolt ASTM F1136-88 Grade 3 Chromium Zinc

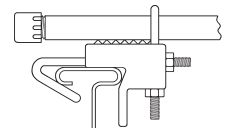
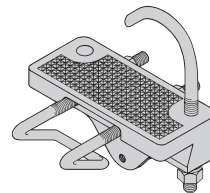
Catalog No. **CZ** SFHN $\frac{3}{8}$ "-16 CZ Serrated Flange Hex Nut ASTM F1136-88 Grade A Chromium Zinc

Optional: Catalog No. **SS6** RNCB $\frac{3}{8}$ "-16 x $\frac{3}{4}$ " SS6 AISI 316 Stainless Steel

Catalog No. **SS6** SFHN $\frac{3}{8}$ "-16 SS6 AISI 316 Stainless Steel Example: 9G-8004SS6

Conduit to Tray Adaptor

- For easy attachment of conduit terminating at a cable tray.
- Use on aluminum or steel cable trays.



Steel I-Beam

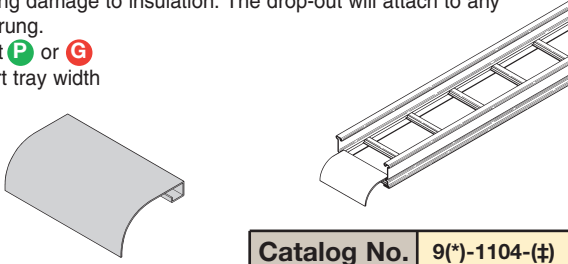
| Catalog No. | Conduit Size | |
|--|-------------------------------|---------|
| | in. | mm |
| ● 9G-1158- $\frac{1}{2}$, $\frac{3}{4}$ | $\frac{1}{2}$, $\frac{3}{4}$ | 15, 20 |
| ● 9G-1158-1, 1 $\frac{1}{4}$ | 1, 1 $\frac{1}{4}$ | 25, 32 |
| ● 9G-1158-1 $\frac{1}{2}$, 2 | 1 $\frac{1}{2}$, 2 | 40, 50 |
| ● 9G-1158-2 $\frac{1}{2}$, 3 | 2 $\frac{1}{2}$, 3 | 65, 80 |
| ● 9G-1158-3 $\frac{1}{2}$, 4 | 3 $\frac{1}{2}$, 4 | 90, 100 |

● Green = Fastest shipped items ● Black = Normal lead-time items ● Red = Normally long lead-time items

Series 2, 3, 4, & 5 Steel - Accessories

Ladder Drop-Out

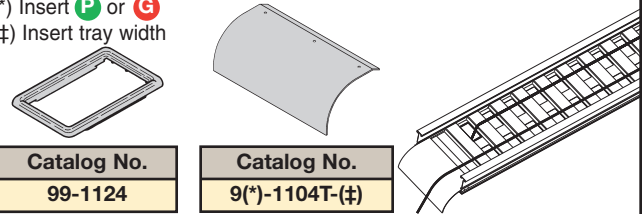
- Specially-designed Ladder Drop-Outs provide a rounded surface with 4" (101 mm) radius to protect cable as it exits from the cable tray, preventing damage to insulation. The drop-out will attach to any desired rung.
- (*) Insert **P** or **G**
- (‡) Insert tray width



Catalog No. 9(*)-1104-(‡)

Trough Drop-Out & Drop-Out Bushing

- These devices provide a rounded surface to protect cable as it exits from the trough-type cable tray.
- Hardware is included for attachment to the trough bottom.
- (*) Insert **P** or **G**
- (‡) Insert tray width



Catalog No.
99-1124

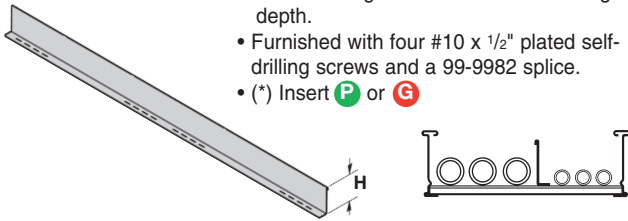
Catalog No.
9(*)-1104T-(‡)

Snap-In Plastic Bushing Trough-Type Drop-Out

Barriers

Straight Section

- Standard length: 120" (3 m) 144" (12 ft.).
- Order catalog number based on loading depth.
- Furnished with four #10 x 1/2" plated self-drilling screws and a 99-9982 splice.
- (*) Insert **P** or **G**

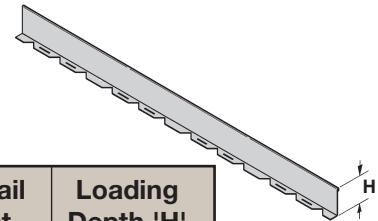


| Catalog No. | Side Rail Height | | Loading Depth 'H' | |
|--------------|------------------|-----|-------------------|-----|
| | in. | mm | in. | mm |
| 73(*)-Length | 4 | 101 | 3 | 76 |
| 74(*)-Length | 5 | 127 | 4 | 101 |
| 75(*)-Length | 6 | 152 | 5 | 127 |
| 76(*)-Length | 7 | 178 | 6 | 152 |

Length =
144 for 12'
or
120 for 10'

Horizontal Bend

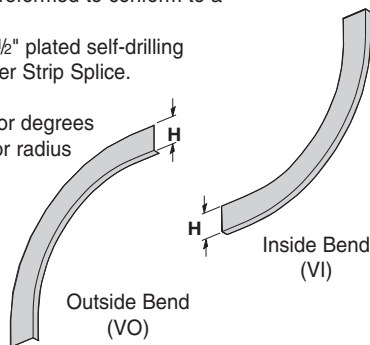
- Horizontal Bend Barriers are flexible in order to conform to any horizontal fitting radius. Cut to length.
- Order catalog number based on loading depth.
- Furnished with three #10 x 1/2" zinc plated self-drilling screws and a 99-9982 Barrier Strip Splice.
- Standard length is 72" (6 ft.), sold individually.
- (*) Insert **P** or **G**



| Catalog No. | Side Rail Height | | Loading Depth 'H' | |
|--------------|------------------|-----|-------------------|-----|
| | in. | mm | in. | mm |
| 73(*)-90HBFL | 4 | 101 | 3 | 76 |
| 74(*)-90HBFL | 5 | 127 | 4 | 101 |
| 75(*)-90HBFL | 6 | 152 | 5 | 127 |
| 76(*)-90HBFL | 7 | 178 | 6 | 152 |

Vertical Bend Barriers

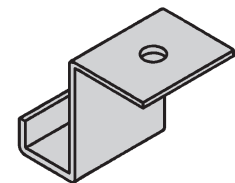
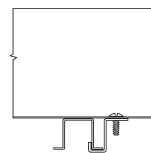
- Vertical Bend Barriers are preformed to conform to a specific vertical fitting.
- Furnished with three #10 x 1/2" plated self-drilling screws and a 99-9982 Barrier Strip Splice.
- (*) Insert **P** or **G**
- (**) Insert 30, 45, 60 or 90 for degrees
- (†) Insert 12, 24, 36 or 48 for radius



| Inside Bend Catalog No. | Outside Bend Catalog No. | Side Rail Height | | Loading Depth 'H' | |
|-------------------------|--------------------------|------------------|-----|-------------------|-----|
| | | in. | mm | in. | mm |
| 73(*)-(**)VI(†) | 73(*)-(**)VO(†) | 4 | 101 | 3 | 76 |
| 74(*)-(**)VI(†) | 74(*)-(**)VO(†) | 5 | 127 | 4 | 101 |
| 75(*)-(**)VI(†) | 75(*)-(**)VO(†) | 6 | 152 | 5 | 127 |
| 76(*)-(**)VI(†) | 76(*)-(**)VO(†) | 7 | 178 | 6 | 152 |

Barrier Strip Clip

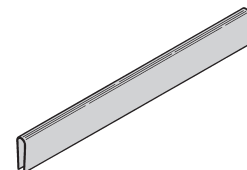
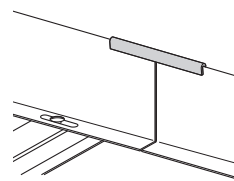
- Zinc plated steel barrier clip fastens to either aluminum or steel ladder rung.
- Furnished with one #10 x 1/2" zinc plated self-drilling screw.



Catalog No. ● 9ZN-9002

Barrier Strip Splice

- Plastic splice holds adjoining barrier strips in straight alignment.

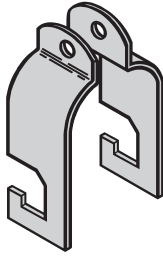


Catalog No. ● 99-9982

● Green = Fastest shipped items ● Black = Normal lead-time items ● Red = Normally long lead-time items

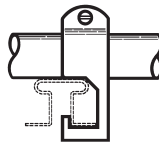
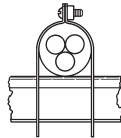
Stainless Steel Cable Clamp

- Fits with series 2, 3, 4 & 5 standard steel rungs.
- Shipped flat. Field form around the cable at the time of installation.



Refer to Section CF
Cable Fixing

| Catalog No. | Cable Size | |
|-------------|-------------|-----------|
| | in. | mm |
| ● 9SS4-4050 | 0.50 - 0.75 | 13 - 19 |
| ● 9SS4-4075 | 0.75 - 1.00 | 19 - 25 |
| ● 9SS4-4100 | 1.00 - 1.25 | 25 - 32 |
| ● 9SS4-4125 | 1.25 - 1.50 | 32 - 38 |
| ● 9SS4-4150 | 1.50 - 1.75 | 38 - 45 |
| ● 9SS4-4175 | 1.75 - 2.00 | 45 - 51 |
| ● 9SS4-4200 | 2.00 - 2.25 | 51 - 57 |
| ● 9SS4-4225 | 2.25 - 2.50 | 57 - 64 |
| ● 9SS4-4250 | 2.50 - 2.75 | 64 - 70 |
| ● 9SS4-4275 | 2.75 - 3.00 | 70 - 76 |
| ● 9SS4-4300 | 3.00 - 3.25 | 76 - 82 |
| ● 9SS4-4325 | 3.25 - 3.50 | 82 - 89 |
| ● 9SS4-4350 | 3.50 - 3.75 | 89 - 95 |
| ● 9SS4-4375 | 3.75 - 4.00 | 95 - 102 |
| ● 9SS4-4400 | 4.00 - 4.25 | 100 - 106 |
| ● 9SS4-4425 | 4.25 - 4.50 | 106 - 113 |
| ● 9SS4-4450 | 4.50 - 4.75 | 113 - 121 |
| ● 9SS4-4475 | 4.75 - 5.00 | 121 - 125 |

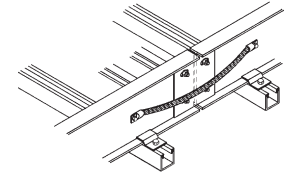


Bonding Jumper

Use at each expansion splice and where the cable tray is not mechanically/electrically continuous to ground.

Sold individually.

- Hardware included.
- See table 392.7(B)(2) on page 25 for amperage ratings required to match the UL cross-sectional area of the tray.
- See tray loading chart for UL cross-sectional area.
- Bonding jumper is 16" long.

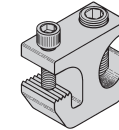


| Catalog No. | Cross-Sectional Area | Ampacity |
|-------------|----------------------|----------|
| ● 99-N1 | 1.5 Square inches | 600 |

Grounding Clamp

Cooper B-Line Cable Tray is UL® classified as to its suitability as an equipment grounding conductor. If a separate conductor for additional grounding capability is desired, B-Line offers this clamp for bolting the conductor at least once to each cable tray section.

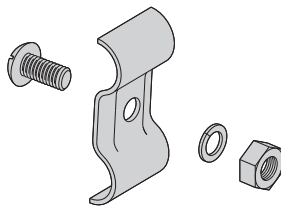
- Accepts #6 AWG to 250 MCM.



| Item | Material | Catalog No. |
|-----------------|---------------------|-------------|
| Grounding Clamp | Tin Plated Aluminum | ● 9A-2130 |

Ground Clamp

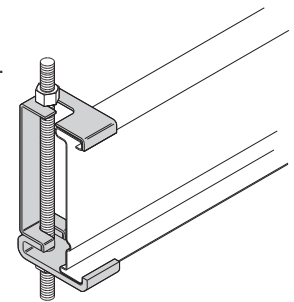
- Mechanically attaches grounding cables to cable tray.
- Hardware included.
- (*) Insert **ZN** or **SS4**



| Catalog No. | Cable Size |
|-------------|------------------|
| 9(*)-2351 | #1 thru 2/0 |
| 9(*)-2352 | 3/0 thru 250 MCM |

Hanger Rod Clamp

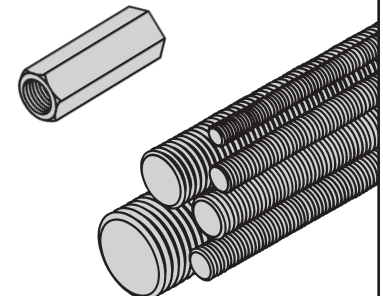
- For 1/2" ATR.
- Furnished in pairs.
- Order ATR and hex nuts separately.
- Two-piece "J"-hanger design.
- (*) Insert **ZN** or **G**
- 1500 lbs./pair capacity safety factor 3.



| Catalog No. | Rail Height | |
|-------------|-------------|-----|
| | in. | mm |
| 9(*)-5324 | 4 | 101 |
| 9(*)-5325 | 5 | 127 |
| 9(*)-5326 | 6 | 152 |
| 9(*)-5327 | 7 | 178 |

Threaded Rod (ATR) & Rod Coupling

| Size | Loading lbs | Catalog No. | Available Lengths | Coupling Cat. No. |
|--------|-------------|--------------------|----------------------|-------------------|
| 3/8-16 | 730 | ● ATR 3/8 x Length | 36", 72", 120", 144" | ● B655-3/8 |
| 1/2-13 | 1350 | ● ATR 1/2 x Length | 36", 72", 120", 144" | ● B655-1/2 |



Loading based on safety factor 5.

Standard Finish: Zinc Plated.

See B-Line Strut Systems Catalog for other sizes and finishes.

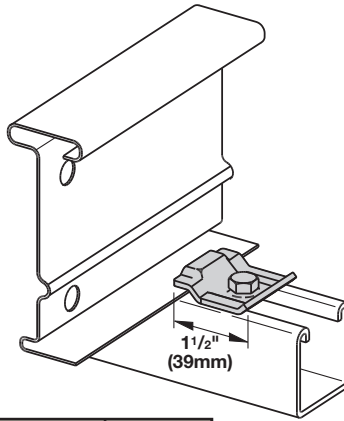
● Green = Fastest shipped items ● Black = Normal lead-time items ● Red = Normally long lead-time items

Series 2, 3, 4, & 5 Steel - Accessories

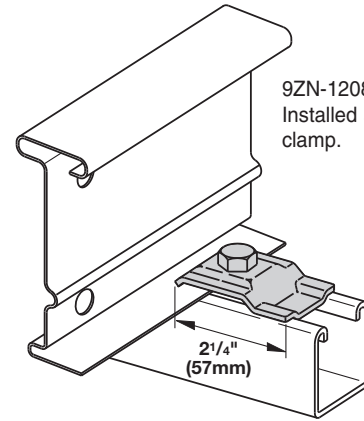
Cable Tray Clamp/Guide

- Features a no-twist design.
- Has four times the strength of the traditional design.
- Each side is labeled to ensure proper installation.
- Furnished in pairs, with or without hardware.

9ZN-1204 shown.
Installed as a
guide.



9ZN-1208 shown.
Installed as a
clamp.



| Catalog No. | | Overall Length in. mm | Hardware Size | Finish |
|------------------|---------------|--------------------------|---------------|--------|
| Without Hardware | With Hardware | | | |
| ● 9ZN-1204 | ● 9ZN-1204NB | 1 1/2 38 | 1/4" | Znplt |
| ● 9ZN-1208 | ● 9ZN-1208NB | 2 1/4 57 | 3/8" | Znplt |
| ● 9A-1205 | -- | 2 1/4 57 | 1/2" | Alum. |
| ● 9G-1205 | -- | 2 1/4 57 | 1/2" | HDGAF |
| ● 9SS6-1205 | -- | 2 1/4 57 | 1/2" | 316SS |
| ● 9ZN-1205 | -- | 2 1/4 57 | 1/2" | Znplt |

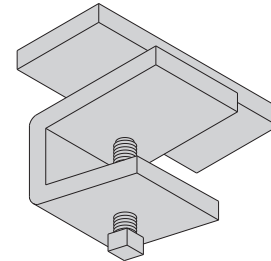
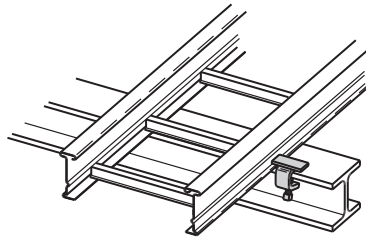
Note: For heavy duty or vertical applications see 9(*)-1241 or 9(*)-1242 page 267.

When installing this device as an expansion guide on the outside flange of *Steel Side Rail*, use the Catalog No. **B202** Square Washer in order to properly elevate the guide.

Patent #
RE35479

Cable Tray Guide

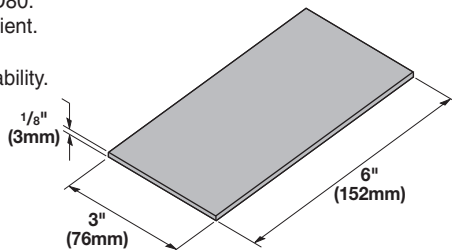
- Expansion guide for single or double cable tray runs.
- Guide allows for longitudinal movement of the cable tray.
- No field drilling of support I-beam or channel is required.
- Guides are required on both sides of cable tray to prevent lateral movement - can be placed on either the inside or outside flange of cable tray.
- Guides are sold in pieces - two guides are required per tray.
- Maximum flange thickness 1 1/8" (28.58 mm).



| Catalog No. | Finish |
|-------------|-------------|
| ● 9ZN-1249 | Zinc Plated |
| ● 9G-1249 | HDGAF |

Nylon Pad

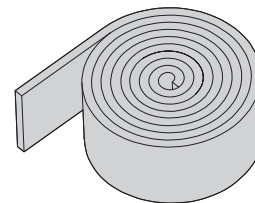
- Use for friction reduction.
- Hardness: Shore D80.
- Low friction coefficient.
- UV resistant.
- Excellent weatherability.
- UL-94HB.



Catalog No. ● 99-NY36

Neoprene Roll

- Used for material isolation.
- 1/8" x 2" x 20' roll.
- Hardness: Shore A60.
- Good weatherability.



Catalog No. ● 99-NP300

● Green = Fastest shipped items ● Black = Normal lead-time items ● Red = Normally long lead-time items

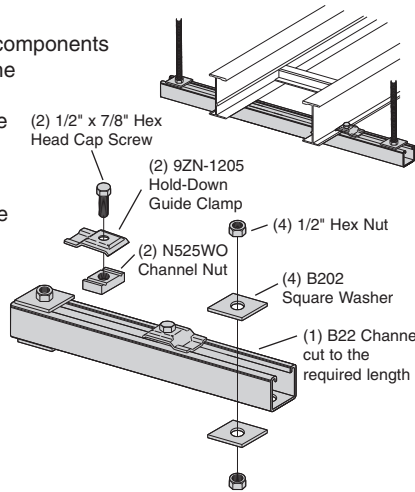
Trapeze Support Kit

Cooper B-Line's trapeze kits provide the components required for a single trapeze support in one package. These kits are available in pre-galvanized steel with zinc-plated hardware or hot dip galvanized steel with 316 stainless steel hardware.

The SH channel provides the convenience of pre-punched slots, which eliminate the need for field drilling.

The illustrated hardware is sealed in a plastic bag and boxed with the channel, which is pre-cut to the appropriate length as shown in the chart.

Designed for use with 1/2" threaded rod. Order rod separately.



| Catalog No. | Tray Width | | Channel Length | | Uniform Load | |
|-------------------|------------|------|----------------|------|--------------|------|
| | in. | mm | in. | mm | lbs | kN |
| ● 9P-5506-22SH(†) | 6 | 152 | 16 | 406 | 1600 | 7.11 |
| ● 9P-5509-22SH(†) | 9 | 229 | 18 | 457 | 1250 | 5.56 |
| ● 9P-5512-22SH(†) | 12 | 305 | 22 | 559 | 1125 | 5.00 |
| ● 9P-5518-22SH(†) | 18 | 457 | 28 | 711 | 865 | 3.85 |
| ● 9P-5524-22SH(†) | 24 | 610 | 34 | 864 | 700 | 3.11 |
| ● 9P-5530-22SH(†) | 30 | 762 | 40 | 1016 | 590 | 2.62 |
| ● 9P-5536-22SH(†) | 36 | 914 | 46 | 1168 | 510 | 2.27 |
| ● 9P-5542-22SH(†) | 42 | 1067 | 52 | 1321 | 450 | 2.00 |

• (†) Insert 3/8 for 3/8" threaded rod hardware.

Safety factor of 3.0 on all loads.

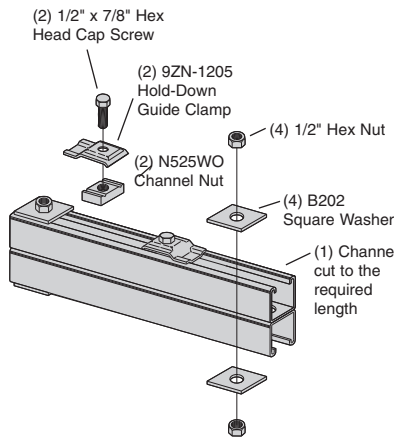
Heavy Duty Trapeze Support Kit

Cooper B-Line's trapeze kits provide the components required for a single trapeze support in one package. These kits are available in Dura-Green® epoxy coated steel with zinc-plated hardware or hot dip galvanized steel with 316 stainless steel hardware.

The SH channel provides the convenience of pre-punched slots, which eliminates the need for field drilling.

The illustrated hardware is sealed in a plastic bag and boxed with the channel, which is pre-cut to the appropriate length as shown in the chart.

Designed for use with 1/2" threaded rod. Order rod separately.

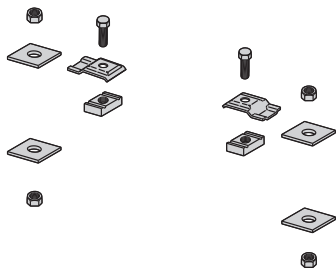


| Catalog No. | Tray Width | | Channel Length | | Uniform Load | |
|-------------------|------------|------|----------------|------|--------------|------|
| | in. | mm | in. | mm | lbs | kN |
| ● 9(*)-5506-22SHA | 6 | 152 | 16 | 406 | 1350 | 6.01 |
| ● 9(*)-5509-22SHA | 9 | 229 | 18 | 457 | 1350 | 6.01 |
| ● 9(*)-5512-22SHA | 12 | 305 | 22 | 559 | 1350 | 6.01 |
| ● 9(*)-5518-22SHA | 18 | 457 | 28 | 711 | 1350 | 6.01 |
| ● 9(*)-5524-22SHA | 24 | 610 | 34 | 864 | 1350 | 6.01 |
| ● 9(*)-5530-22SHA | 30 | 762 | 40 | 1016 | 1350 | 6.01 |
| ● 9(*)-5536-22SHA | 36 | 914 | 46 | 1168 | 1350 | 6.01 |
| ● 9(*)-5542-22SHA | 42 | 1067 | 52 | 1321 | 1350 | 6.01 |

• (*) Insert **GRN** or **G**

Safety factor of 3.0 on all loads.

Trapeze Hardware Kit



| Catalog No. | ● 9ZN-5500-1/2 | ● 9G-5500-1/2 |
|----------------|---|--|
| In plastic bag | 1 pr. 9ZN-1205 2 HHC Screw 1/2 x 7/8 ZN 2 N525 WO ZN 4 B202 ZN 1/2" sq washer 4 HN 1/2 ZN | 1 pr. 9G-1205 2 HHC Screw 1/2 x 7/8 SS6 2 N525 WO SS6 4 B202 HDG 1/2" sq washer 4 HN 1/2 SS6 |

Rooftop Support Bases with B22 Channel

Designed as a superior rooftop support for cable tray, UV resistant and approved for most roofing material or other flat surfaces.

Can be used with any of Cooper B-Line's cable tray clamps and guides.

Ultimate Load Capacity:
1,000 lbs. (uniform load)



| Catalog No. | Height x Width x Length |
|-------------|-------------------------|
| ● DB10-28 | 5 5/8" x 6" x 28.0" |
| ● DB10-36 | 5 5/8" x 6" x 36.0" |
| ● DB10-42 | 5 5/8" x 6" x 42.0" |
| ● DB10-50 | 5 5/8" x 6" x 50.0" |
| ● DB10-60 | 5 5/8" x 6" x 60.0" |

♻️ LEEDS credit available, base made from 100% recycled material.

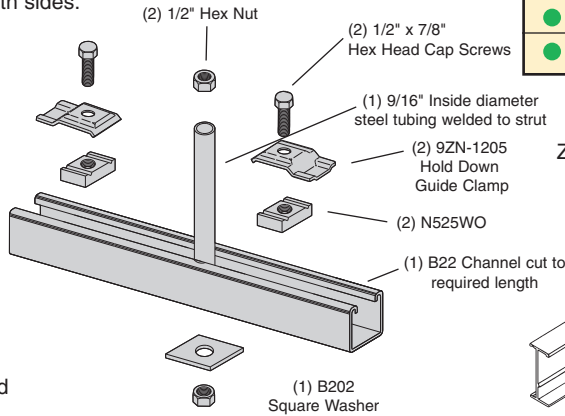
General Note: Consult roofing manufacturer or engineer for roof load capacity. The weakest point may be the insulation board beneath the rubber membrane.

● Green = Fastest shipped items ● Black = Normal lead-time items ● Red = Normally long lead-time items

Series 2, 3, 4, & 5 Steel - Accessories

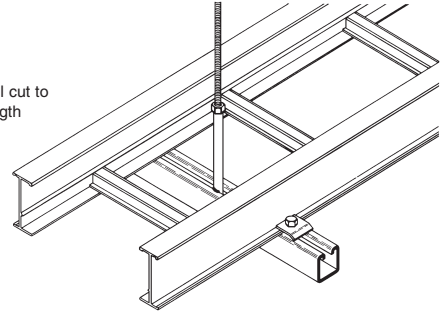
Center Hung Cable Tray Support

- Cooper B-Line's unique Center Hung Cable Tray Support allows cable to be laid-in from both sides.
- Eliminates costly cable pulling and field cutting of cable tray supports. Labor costs are dramatically reduced.
- Required hardware and threaded rod material for trapeze assemblies are reduced by 50%.
- Designed for use with 1/2" threaded rod. (Order rod separately)
- Use with all aluminum and steel cable trays through 24" width.
- Load capacity is 700 lbs. per support. Safety factor of 3.0. Eccentric loading is not to exceed a 60% vs. 40% load differential.
- The maximum recommended unsupported span length is 144"/12 ft. (3.66 m).
- Hardware shown is furnished.

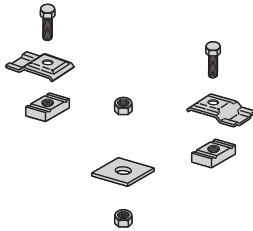


| Catalog No. | Tray Width | Channel Length |
|-------------|-------------|----------------|
| ● 9ZN-5212 | 6", 9", 12" | 18" |
| ● 9ZN-5224 | 18", 24" | 30" |

ZN = Zinc Plated

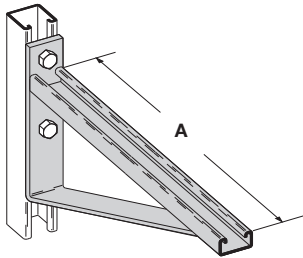


Center Hung Support Hardware Kit



| Catalog No. | ● 9ZN-5200 |
|----------------|---|
| In plastic bag | 1 pr. 9ZN-1205 2 HHC Screw 1/2 x 7/8 ZN 2 N525 WO ZN 1 B202 ZN 1/2" sq washer 2 HN 1/2 ZN |

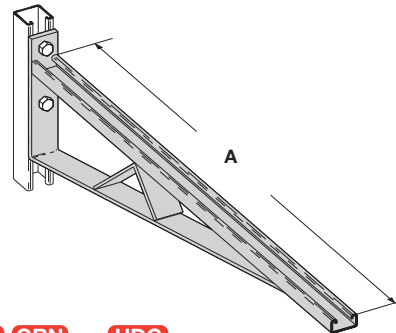
Bracket



Finishes available: **ZN** **GRN** or **HDG**
Safety Load Factor 2.5

| Catalog No. | Uniform Load | | Tray Width | | 'A' | |
|-------------|--------------|------|------------|-----------|-----|-----|
| | lbs | kN | in. | mm | in. | mm |
| B494-12 | 1580 | 7.02 | 6 & 9 | 152 & 229 | 12 | 305 |
| B494-18 | 1000 | 4.45 | 12 | 305 | 18 | 457 |
| B494-24 | 996 | 4.43 | 18 | 457 | 24 | 610 |

Bracket

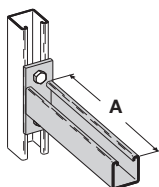


Finishes available: **ZN** **GRN** or **HDG**
Safety Load Factor 2.5

| Catalog No. | Uniform Load | | Tray Width | | 'A' | |
|-------------|--------------|------|------------|------|-----|------|
| | lbs | kN | in. | mm | in. | mm |
| B494-30 | 924 | 4.11 | 24 | 610 | 30 | 762 |
| B494-36 | 864 | 3.84 | 30 | 762 | 36 | 914 |
| B494-42 | 580 | 2.58 | 36 | 914 | 42 | 1067 |
| B494-48 | 500 | 2.22 | 42 | 1067 | 48 | 1219 |

● Green = Fastest shipped items ● Black = Normal lead-time items ● Red = Normally long lead-time items

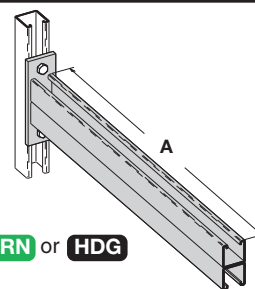
Cantilever Bracket



Finishes available: **ZN** **GRN** or **HDG**
Safety Load Factor 2.5

| Catalog No. | Uniform Load | | Tray Width | | 'A' | |
|----------------|--------------|------|------------|-----------|-----|-----|
| | lbs | kN | in. | mm | in. | mm |
| B409-12 | 960 | 4.27 | 6 & 9 | 152 & 229 | 12 | 305 |
| B409-18 | 640 | 2.84 | 12 | 305 | 18 | 457 |
| B409-24 | 480 | 2.13 | 18 | 457 | 24 | 610 |

Cantilever Bracket

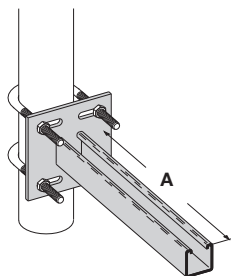


Finishes available: **ZN** **GRN** or **HDG**
Safety Load Factor 2.5

| Catalog No. | Uniform Load | | Tray Width | | 'A' | |
|----------------|--------------|------|------------|-----------|-----|------|
| | lbs | kN | in. | mm | in. | mm |
| B297-12 | 1660 | 7.37 | 6 & 9 | 152 & 229 | 12 | 305 |
| B297-18 | 1100 | 4.88 | 12 | 305 | 18 | 457 |
| B297-24 | 835 | 3.71 | 18 | 457 | 24 | 610 |
| B297-30 | 625 | 2.78 | 24 | 610 | 30 | 762 |
| B297-36 | 550 | 2.44 | 30 | 762 | 36 | 914 |
| B297-42 | 465 | 2.06 | 36 | 914 | 42 | 1067 |

Underfloor Support (U-Bolts not included)

| U-Bolt Size | Fits Pipe O.D. |
|-------------|----------------|
| B501-3/4 | .841 - 1.050 |
| B501-1 | 1.051 - 1.315 |
| B501-1 1/4 | 1.316 - 1.660 |
| B501-1 1/2 | 1.661 - 1.900 |
| B501-2 | 1.901 - 2.375 |
| B501-2 1/2 | 2.376 - 2.875 |



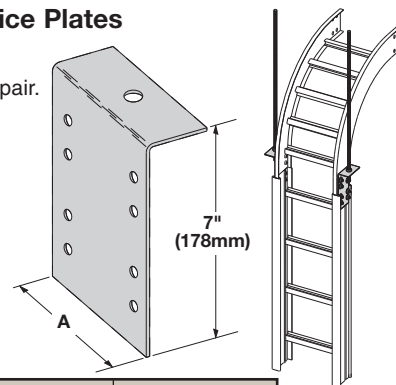
- Order properly sized U-Bolts separately.

Finish available: **ZN**
Safety Load Factor 2.5

| Catalog No. | Uniform Load | | Tray Width | | 'A' | |
|------------------|--------------|------|------------|-----------|-----|-----|
| | lbs | kN | in. | mm | in. | mm |
| B409UF-12 | 800 | 3.55 | 6 & 9 | 152 & 229 | 12 | 305 |
| B409UF-21 | 450 | 2.00 | 12 & 18 | 305 & 457 | 21 | 533 |

Vertical Hanger Splice Plates

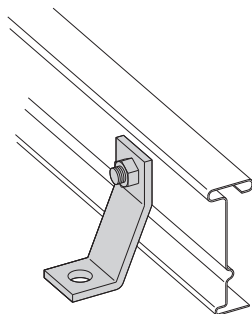
- (*) Insert **ZN** or **G**
- Design load is 1500 lbs/pair.
Safety Factor of 2.5
- Furnished in pairs with hardware.



| Catalog No. | Outside Cable Tray Ht. | 'A' | |
|------------------|------------------------|------|--------|
| | | in. | mm |
| 9(*)-8224 | 4" | 2.84 | 85.34 |
| 9(*)-8225 | 5" | 3.73 | 110.74 |
| 9(*)-8226 | 6" | 4.84 | 136.14 |
| 9(*)-8227 | 7" | 5.84 | 161.54 |

Heavy Duty Hold-Down Bracket

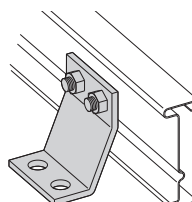
- Design load is 2000 lbs/pair.
- Two bolt design.
- Sold in pairs.
- 3/8" cable tray attachment hardware provided.
- 1/2" support attachment hardware **not** provided.
- (*) Insert **ZN** or **G**



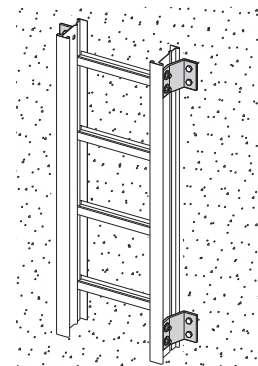
Catalog No. **9(*)-1241**

Heavy Duty Hold-Down Bracket

- Design load is 4000 lbs/pair.
- Four bolt design.
- Sold in pairs.
- 3/8" cable tray attachment hardware provided
- 1/2" support attachment hardware **not** provided.
- (*) Insert **ZN** or **G**



Catalog No. **9(*)-1242**

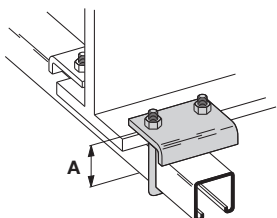


● Green = Fastest shipped items ● Black = Normal lead-time items ● Red = Normally long lead-time items

Series 2, 3, 4, & 5 Steel - Accessories

Beam Clamp

- Finishes available: **ZN** or **HDG**
- Sold in pieces.

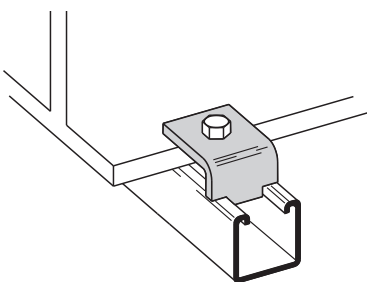


Design load when used in pairs.
Safety Load Factor 5.0

| Catalog | Design Load* | | 'A' | |
|-----------------|--------------|------|-------------------------------|-----|
| | lbs | kN | in. | mm |
| B441-22 | 1200 | 5.34 | 3 ³ / ₈ | 86 |
| B441-22A | 1200 | 5.34 | 5 | 127 |

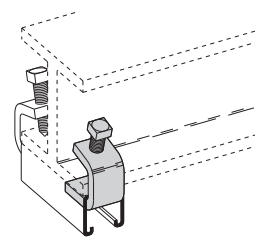
Beam Clamp B355

- Finishes available: **ZN** **GRN** **HDG** or **SS4**
- Sold in pieces.
- Design load is 1200 lbs. when used in pairs.
- Safety Load Factor 5.0
- Order HHCS and Channel Nuts separately.



Beam Clamp

- Finishes available: **ZN** **GRN** or **HDG**
- Sold in pieces.

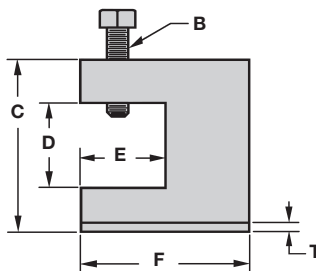
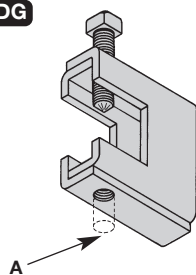


Design load when used in pairs.
Safety Load Factor 5.0

| Cat. No. | B212-1/4 | | B212-3/8 | |
|-------------------|----------|---------|-----------|---------|
| Design Load * | 600 lbs. | 2.67 kN | 1000 lbs. | 4.45 kN |
| Max. Flange Thick | 3/4" | 19 mm | 1 1/8" | 28.6 mm |
| Mat'l. Thickness | 1/4" | 6.3 mm | 3/8" | 9.5 mm |

B305 Thru B308 & B321 Series Beam Clamps

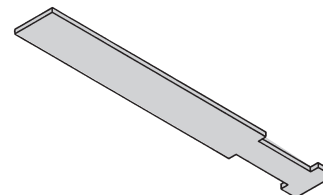
- Finishes available: **ZN** or **HDG**
- Setscrew included.
- Safety Load Factor 5.0



| Cat. No. | Rod Size A | B | C | D | E | F | T | Design Load | |
|---------------|------------|---------|---------|----------|--------|--------|--------|-------------|------|
| | | | | | | | | lbs | kN |
| B305 | 3/8"-16 | 3/8"-16 | 2 5/16" | 7/8" | 1 1/8" | 2 1/2" | 11 Ga. | 600 | 2.67 |
| B306 | 3/8"-16 | 1/2"-13 | 2 7/16" | 7/8" | 1 1/8" | 2 1/2" | 7 Ga. | 1100 | 4.90 |
| B307 | 1/2"-13 | 1/2"-13 | 2 7/16" | 7/8" | 1 1/8" | 2 1/2" | 7 Ga. | 1100 | 4.90 |
| B308 | 1/2"-13 | 1/2"-13 | 2 9/16" | 7/8" | 1 1/8" | 2 1/2" | 1/4" | 1500 | 6.68 |
| B321-1 | 3/8"-16 | 1/2"-13 | 3 9/16" | 1 11/16" | 1 5/8" | 3 1/4" | 1/4" | 1300 | 5.79 |
| B321-2 | 1/2"-13 | 1/2"-13 | 3 9/16" | 1 11/16" | 1 5/8" | 3 1/4" | 1/4" | 1400 | 6.23 |

B312 Anchor Strap

- Finish available: **ZN**
- For a maximum beam thickness of 3/4".
- For thicker beams, step up one flange width size.

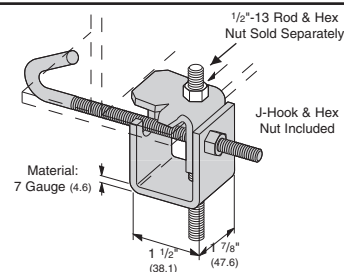


| Cat. No. | Flange Width |
|----------------|--------------|
| B312-6 | Up to 6" |
| B312-9 | 6" - 9" |
| B312-12 | 9" - 12" |

Beam Clamp

| Catalog No. | For Flange Width | | Wt./C | |
|-----------------|------------------|---------------|-------|------|
| | in. | mm | lbs | kg |
| B750-J4 | 3" - 6" | 76.2 - 152.4 | 109 | 49.4 |
| B750-J6 | 5" - 9" | 127.0 - 228.6 | 124 | 56.2 |
| B750-J9 | 8" - 12" | 203.2 - 304.8 | 135 | 61.2 |
| B750-J12 | 11" - 15" | 279.4 - 381.0 | 147 | 66.7 |

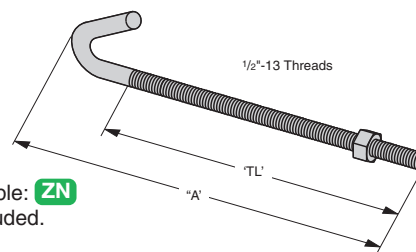
- Finish available: **ZN**
- Design Load 500 lbs. (2.22 kN)
- Safety Load Factor 5.0
- Recommended torque: 'J'-Hook Nut 125 In.-Lbs. (14.1 kN/m)
- Maximum flange thickness of 3/4"



Beam Clamp

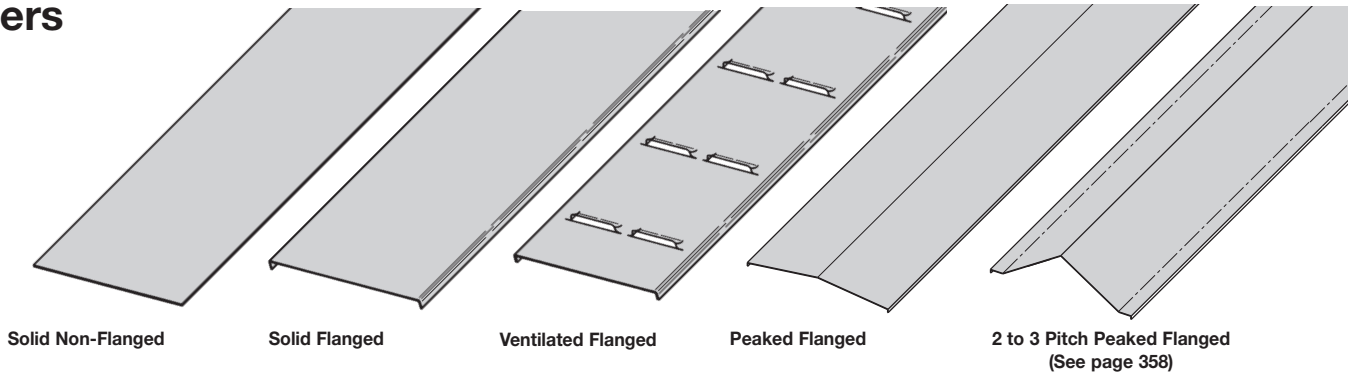
| Catalog No. | 'A' | | Thread Length 'TL' | | Wt./C | |
|-----------------|---------|-------|--------------------|-------|-------|------|
| | in. | mm | in. | mm | lbs | kg |
| B700-J4 | 8 1/2" | 215.9 | 5" | 127.0 | 44 | 19.9 |
| B700-J6 | 11 1/2" | 292.1 | 6" | 152.4 | 53 | 24.0 |
| B700-J9 | 12 1/4" | 368.3 | 6" | 152.4 | 63 | 28.6 |
| B700-J12 | 17 1/2" | 444.5 | 6" | 152.4 | 78 | 35.4 |

- Finish available: **ZN**
- Hex Nut included.



● Green = Fastest shipped items ● Black = Normal lead-time items ● Red = Normally long lead-time items

Covers



A full range of covers is available for straight sections and fittings.

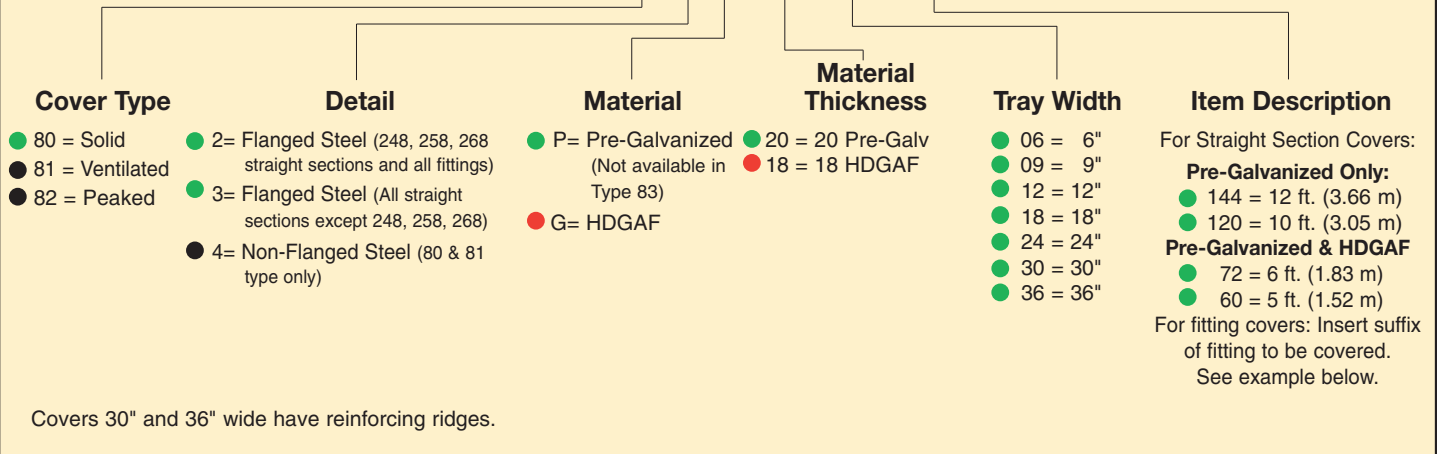
Solid covers should be used when maximum enclosure of the cable is desired and no accumulation of heat is expected.

Ventilated covers provide an overhead cable shield yet allow heat to escape.

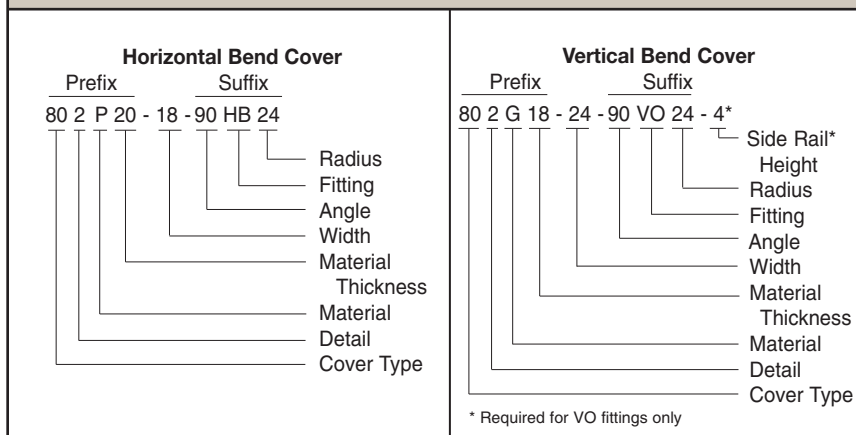
Cooper B-Line recommends that covers be placed on vertical cable tray runs to a height of 6 ft. (1.83 m) to 8 ft. (2.44 m) above the floor to isolate both cables and personnel. **Flanged covers** have a 1/2 in. (13 mm) flange. Cover clamps are not included with the cover and must be ordered separately. All **peaked covers** are flanged. Standard peaked covers have 1/2" peak. Special purpose peaked covers, having a 2 to 3 pitch, provide additional slope and material thickness. The 2 to 3 pitch fitting covers are of multiple piece, welded construction.

Steel Cover Part Numbering

Prefix
Example: **80 2 P 20 - 24 - 144**



Examples of Catalog Numbers for Fitting Covers:

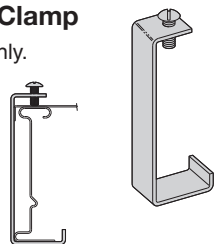


● Green = Fastest shipped items ● Black = Normal lead-time items ● Red = Normally long lead-time items

Series 2, 3, 4, & 5 Steel - Accessories

Standard Cover Clamp

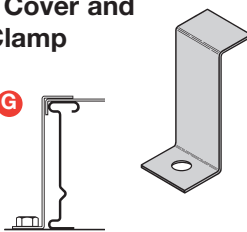
- For indoor service only.
- Sold per piece.
- (*) Insert **ZN** or **G**



| Tray Type | Side Rail Height | | Catalog No. |
|-----------|------------------|-----|-------------|
| | in. | mm | |
| Steel | 4 | 101 | 9(*)-9014 |
| | 5 | 127 | 9(*)-9015 |
| | 6 | 152 | 9(*)-9016 |
| | 7 | 178 | 9(*)-9017 |

Combination Cover and Hold-Down Clamp

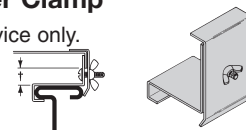
- Sold per piece.
- (*) Insert **P** or **G**
- For indoor service only.



| Tray Type | Side Rail Height | | Catalog No. |
|-----------|------------------|-----|-------------|
| | in. | mm | |
| Steel | 4 | 101 | 9(*)-9043 |
| | 5 | 127 | 9(*)-9053 |
| | 6 | 152 | 9(*)-9063 |
| | 7 | 178 | 9(*)-9073 |

Raised Cover Clamp

- For indoor service only.
- For use with flanged covers only.

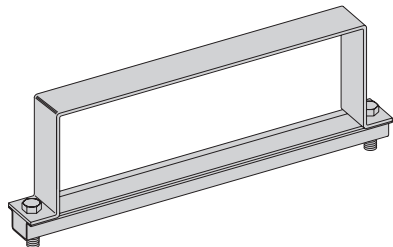


† Specify gap of 1", 2", 3" or 4".

| Tray Type | Catalog No. |
|--|--------------|
| Series 2 Steel Straight Section | ● 9ZN-9114-† |
| Series 3 & 4 Steel Straight Section | ● 9ZN-9115-† |
| All Steel Fittings (Also Series 1 Steel Straight Sections) | ● 9ZN-910† |

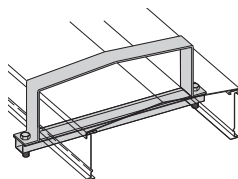
Heavy Duty Cover Clamp

- Recommended for outdoor service.
- (*) Insert **P** or **G**



Peaked Cover Clamp

(‡) Insert tray width
† Add P to Catalog No. for 1/2" peaked cover clamp.



| Side Rail Height | | Catalog No. |
|------------------|-----|----------------|
| in. | mm | |
| 4 | 101 | 9(*)-(‡)-9044† |
| 5 | 127 | 9(*)-(‡)-9054† |
| 6 | 152 | 9(*)-(‡)-9064† |
| 7 | 178 | 9(*)-(‡)-9074† |

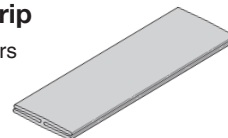
Quantity of Standard Cover Clamps Required

Straight Section 60" or 72"4 pcs.
Straight Section 120" or 144"6 pcs.
Horizontal/Vertical Bends4 pcs.
Tees6 pcs.
Crosses8 pcs.

Note: When using the Heavy Duty Cover Clamp, only one-half the number of clamps stated above is required.

Cover Joint Strip

- Used to join covers
- Plastic
- (‡) Insert tray width



Catalog No. ● 99-9980-(‡)

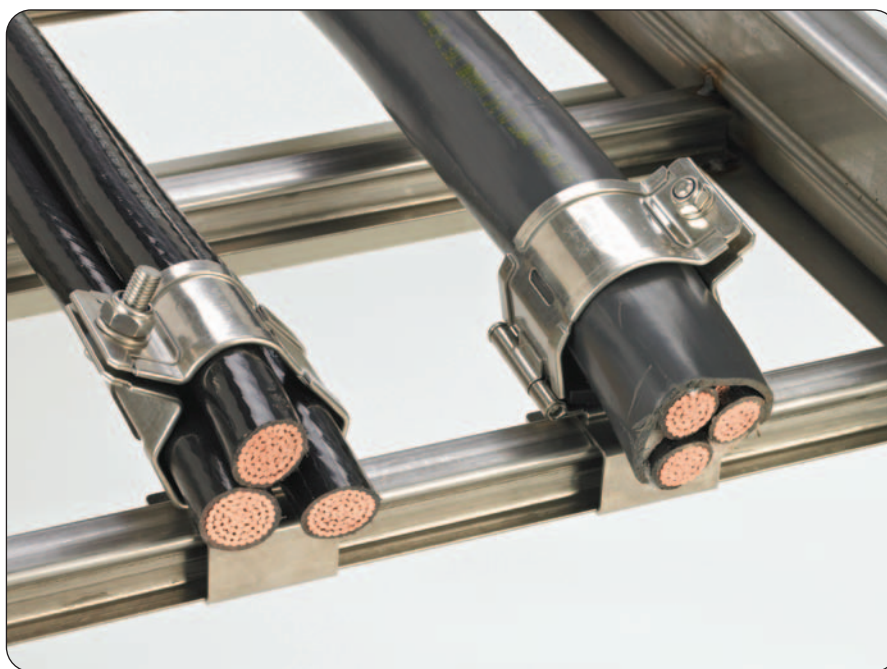
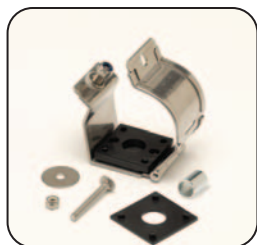
Cable Cleats

(see pages 356 thru 360)

Trefoil Cable Cleats



Single Cable Cleats



● Green = Fastest shipped items ● Black = Normal lead-time items ● Red = Normally long lead-time items

Section 1- Acceptable Manufacturers

- 1.01 Manufacturer: Subject to compliance with these specifications, cable tray systems shall be as manufactured by Cooper B-Line, Inc.

Section 2- Cable Tray Sections and Components

- 2.01 General: Except as otherwise indicated, provide metal cable trays, of types, classes and sizes indicated; with splice plates, bolts, nuts and washers for connecting units. Construct units with rounded edges and smooth surfaces; in compliance with applicable standards; and with the following additional construction features. Cable tray shall be installed according to the latest revision of NEMA VE 2.
- 2.02 Pre-Galvanized Steel: Straight sections, fitting side rails, rungs, and covers shall be made from structural quality steel meeting the minimum mechanical properties and mill galvanized in accordance with ASTM A653 SS, Grade 33, coating designation G90. Hardware finish shall be electrogalvanized zinc per ASTM B633.
- 2.03 Hot Dip Galvanized Steel: All side rails, covers, splice plates, and rungs shall be made from structural quality steel meeting the minimum mechanical properties of ASTM A1011 SS, Grade 33 for 14 gauge and heavier, ASTM A1008, Grade 33 Type 2 for 16 gauge and lighter, and shall be hot dip galvanized after fabrication in accordance with ASTM A123. Mill galvanized covers are not acceptable for hot dip galvanized cable tray. Hardware finish shall be chromium zinc per ASTM F-1136-88.
- 2.04 Ladder Cable Trays shall consist of two longitudinal members (side rails) with transverse members (rungs) welded to the side rails. Rungs shall be spaced [6] [9] [12] inches on center. Rung spacing in radiused fittings shall be industry standard 9" and measured at the center of the tray's width. No portion of the rungs shall protrude below the bottom plane of the side rails. Each rung must be capable of supporting a 200 lb. concentrated load at the center of the cable tray over and above the cable load with a safety factor of 1.5.
- 2.05 Ventilated Trough Cable Trays shall consist of two longitudinal members (side rails) with a corrugated bottom welded to the side rails or rungs spaced 4" on center. The peaks of the corrugated bottom shall have a minimum flat cable bearing surface of 2³/₄" and shall be spaced on 6" centers. To provide ventilation in the tray, the valleys of the corrugated bottom shall have 2¹/₄" x 4" rectangular holes punched along the width of the bottom.
- 2.06 Non-Ventilated Bottom Trough Cable Trays shall consist of two longitudinal members (side rails) with a corrugated bottom welded to the side rails or a solid sheet over rungs. The peaks of the corrugated bottom shall have a minimum flat cable bearing surface of 2³/₄" and shall be spaced on 6" centers.
- 2.07 Cable tray loading depth shall be [3] [4] [5] [6] inches per NEMA VE 1.
- 2.08 Straight sections shall have side rails fabricated as I-beams. Straight sections shall be supplied in standard [12 foot] [24 foot] [10 foot (3 m)] [20 foot (6 m)] lengths.
- 2.09 Cable tray widths shall be [6] [9] [12] [18] [24] [30] [36] inches or as shown on drawings.
- 2.10 Splice plates shall be manufactured of high strength steel, meeting the minimum mechanical properties of ASTM A1011 HSLAS, Grade 50, Class 1 and be secured with 8 nuts and bolts per plate. The resistance of fixed splice connections between an adjacent section of tray shall not exceed 0.00033 ohm.
- 2.11 All fittings must have a minimum radius of [12] [24] [36] [48] inches.

Section 3- Loading Capacities and Testing

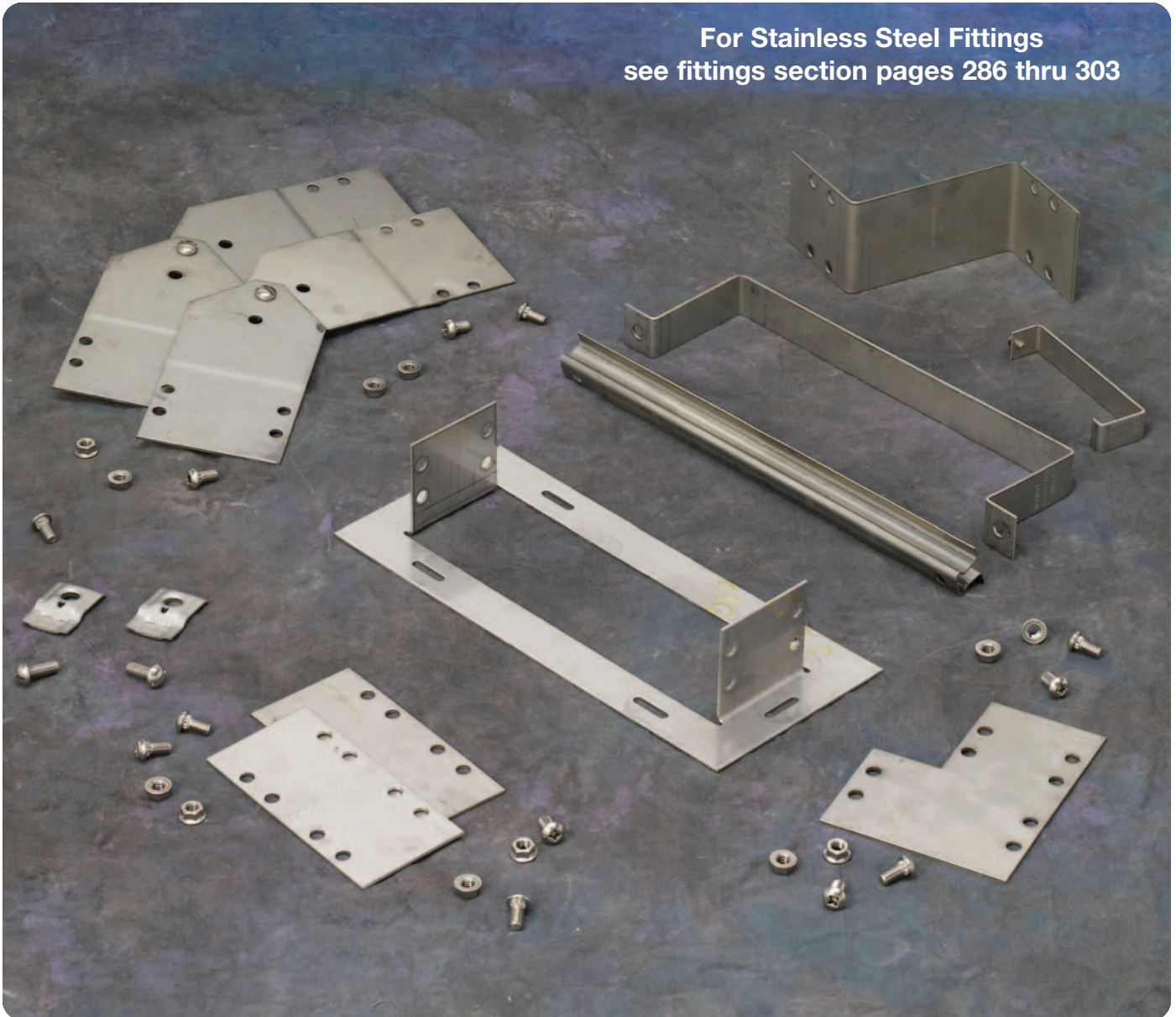
- 3.01 Cable tray shall be capable of carrying a uniformly distributed load of _____ lbs./ft. on a _____ ft. support span with a safety factor of 1.5 when supported as a simple span and tested per NEMA VE 1 5.2. In addition to the uniformly distributed load the cable tray shall support 200 lbs. concentrated load at mid-point of span. Load and safety factors specified are applicable to both the side rails and rung capacities. Cable tray shall be made to manufacturing tolerances as specified by NEMA.
- 3.02 Upon request, manufacturer shall provide test reports in accordance with the latest revision of NEMA VE 1 or CSA C22.2 No. 126.

Series 3 & 4 Stainless Steel

Series 3 & 4 Stainless Steel



For Stainless Steel Fittings
see fittings section pages 286 thru 303



How The Service Advisor Works

B-Line knows that your time is important! That's why the color-coding system in this catalog is designed to help you select products that fit your service needs. Products are marked to indicate the typical lead time for orders of 50 pieces or less.

Customer: How do I select my straight sections, covers, or fittings so that I get the quickest turnaround?

Service Advisor: Each part of our selection chart is shown in colors. If any section of a part number is a different color, the part will typically ship with the longer lead time represented by the colors.

- Green = Fastest shipped items
- Black = Normal lead-time items
- Red = Normally long lead-time items

Example: 348SS4 09 - 12 - 144
 ● ● ● ●

Part will have a long lead time.

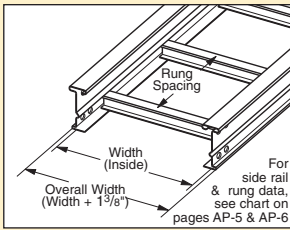
Series 3 & 4 Stainless Steel - Straight Sections

3" NEMA VE 1 Loading Depth 4" Side Rail Height

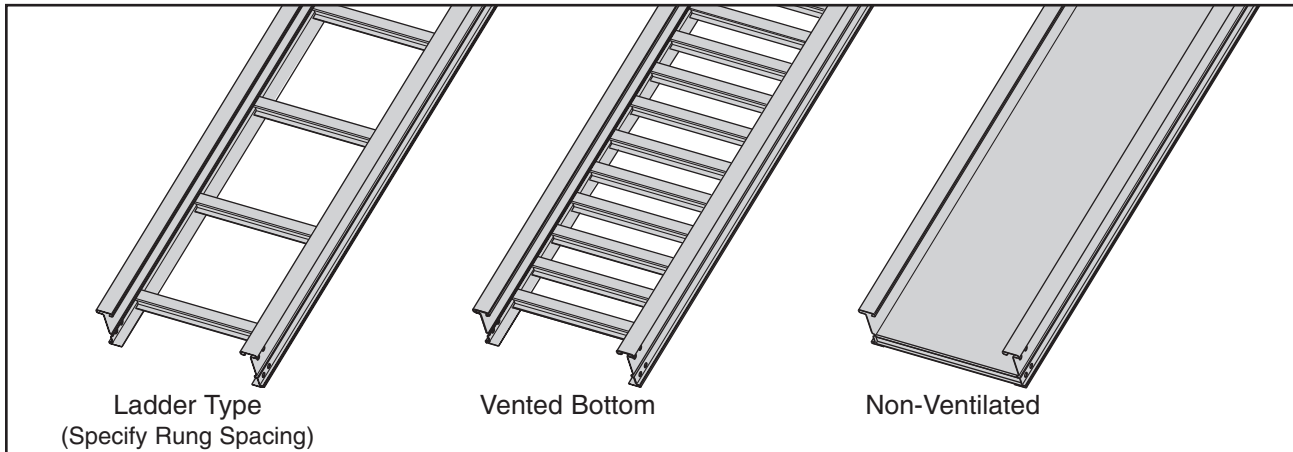
Straight Section Part Numbering

Prefix
Example: **348 SS6 09 - 24 - 240**

| Series | Material | *Type | *Width | Length |
|--------------|--|--|---|--|
| ● 348 | ● SS4 = 304 Stainless Steel ● SS6 = 316 Stainless Steel | Ladder- ● 06 = 6" rung spacing ● 09 = 9" rung spacing ● 12 = 12" rung spacing Trough- 6" and Wider ● 04 = Vented Bottom ● SB = Non-Ventilated | ● 06 = 6" ● 09 = 9" ● 12 = 12" ● 18 = 18" ● 24 = 24" ● 30 = 30" ● 36 = 36" | ● ① 144 = 12 ft. ● ② 120 = 10 ft. 348 ① Primary Length. ② Secondary Length. See page 39 for explanation of lengths. Passivation available see page 18. |



See page 362 for additional rung options. *Special sizes available.



Values are based on simple beam tests per NEMA VE 1 on 36" wide cable tray rungs spaced on 12" centers. Cable trays will support without collapse a 200 lb. (90.7 kg) concentrated load over and above published loads. Published load safety factor is 1.5. To convert 1.5 safety factor to 2.0, multiply published load by 0.75. To obtain mid-span deflection, multiply a load by the deflection multiplier. Cable tray must be supported on spans shorter than or equal to the length of the cable being installed.

| B-Line Series | Side Rail Dimensions | NEMA, CSA Classifications | Span ft | Load lbs/ft | Deflection Multiplier | Design Factors for Two Rails | Span meters | Load kg/m | Deflection Multiplier | Design Factors for Two Rails |
|-----------------|----------------------|--|---------|-------------|-----------------------|---|-------------|-----------|-----------------------|---|
| 348 SSt† | | NEMA: 16A, 12C CSA: C1-3m UL Cross-Sectional Area: 0.40 in ² | 10 | 180 | 0.0042 | Area=0.74 in ² Sx=0.79 in ³ Ix=1.85 in ⁴ | 3.0 | 268 | 0.072 | Area=4.77 cm ² Sx=12.95 cm ³ Ix=77.00 cm ⁴ |
| | | | 12 | 125 | 0.009 | | 3.7 | 186 | 0.148 | |
| | | | 14 | 92 | 0.016 | | 4.3 | 137 | 0.275 | |
| | | | 16 | 70 | 0.027 | | 4.9 | 105 | 0.469 | |
| | | | 18 | 56 | 0.044 | | 5.5 | 83 | 0.752 | |
| | | | 20 | 45 | 0.067 | | 6.1 | 67 | 1.145 | |

When cable trays are used in continuous spans, the deflection of the cable tray is reduced by as much as 50%. Design factors: Ix = Moment of Inertia, Sx = Section Modulus. † Insert 4 for 304 stainless steel or 6 for 316 stainless steel.

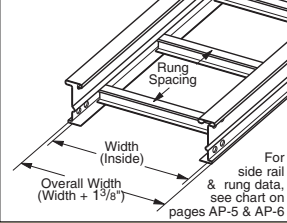
● Green = Fastest shipped items ● Black = Normal lead-time items ● Red = Normally long lead-time items

4" NEMA VE 1 Loading Depth 5" Side Rail Height

Straight Section Part Numbering

Prefix
Example: **358 SS6 09 - 24 - 240**

| | | | | |
|---------------|--|--|---|---|
| Series | Material | *Type | *Width | Length |
| ● 358 | ● SS4 = 304 Stainless Steel ● SS6 = 316 Stainless Steel | Ladder- ● 06 = 6" rung spacing ● 09 = 9" rung spacing ● 12 = 12" rung spacing | ● 06 = 6" ● 09 = 9" ● 12 = 12" ● 18 = 18" ● 24 = 24" ● 30 = 30" ● 36 = 36" | ● ① 144 = 12 ft. ● ② 240 = 20 ft. 358 |



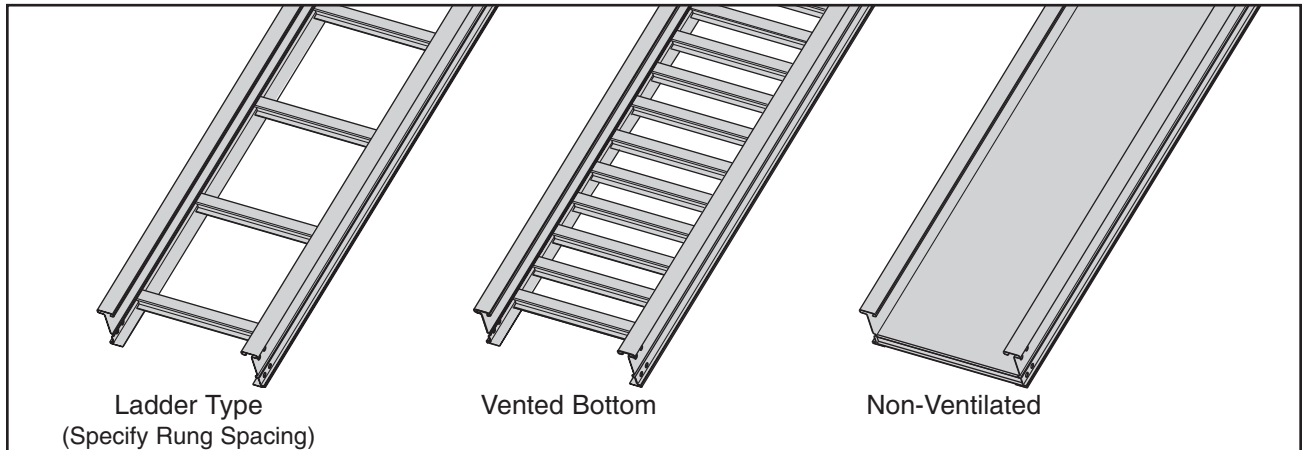
For side rail & rung data, see chart on pages AP-5 & AP-6

① Primary Length.
② Secondary Length.

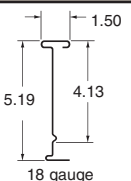
See page 39 for explanation of lengths.

Passivation available see page 18.

See page 362 for additional rung options. *Special sizes available.



Values are based on simple beam tests per NEMA VE 1 on 36" wide cable tray rungs spaced on 12" centers. Cable trays will support without collapse a 200 lb. (90.7 kg) concentrated load over and above published loads. Published load safety factor is 1.5. To convert 1.5 safety factor to 2.0, multiply published load by 0.75. To obtain mid-span deflection, multiply a load by the deflection multiplier. Cable tray must be supported on spans shorter than or equal to the length of the cable being installed.

| B-Line Series | Side Rail Dimensions | NEMA, CSA & UL Classifications | Span ft | Load lbs/ft | Deflection Multiplier | Design Factors for Two Rails | Span meters | Load kg/m | Deflection Multiplier | Design Factors for Two Rails |
|----------------|---|---|---------|-------------|-----------------------|---|-------------|-----------|-----------------------|--|
| 358 SS† |  | NEMA: 20A, 16B CSA: 89 kg/m 6.1m UL Cross-Sectional Area: 0.70 in ² | 10 | 248 | 0.0025 | Area=0.83 in ² Sx=1.09 in ³ Ix=3.10 in ⁴ | 3.0 | 369 | 0.043 | Area=5.35 cm ² Sx=17.86 cm ³ Ix=129.03 cm ⁴ |
| | | | 12 | 172 | 0.0052 | | 3.7 | 256 | 0.089 | |
| | | | 14 | 127 | 0.010 | | 4.3 | 188 | 0.164 | |
| | | | 16 | 97 | 0.016 | | 4.9 | 144 | 0.280 | |
| | | | 18 | 77 | 0.026 | | 5.5 | 114 | 0.448 | |
| | | | 20 | 62 | 0.040 | | 6.1 | 92 | 0.684 | |

When cable trays are used in continuous spans, the deflection of the cable tray is reduced by as much as 50%. Design factors: Ix = Moment of Inertia, Sx = Section Modulus. † Insert 4 for 304 stainless steel or 6 for 316 stainless steel.

● Green = Fastest shipped items ● Black = Normal lead-time items ● Red = Normally long lead-time items

Series 3 & 4 Stainless Steel - Straight Sections

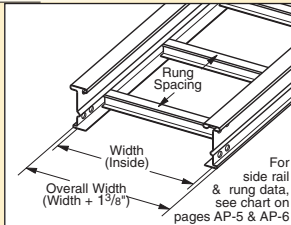
5" NEMA VE 1 Loading Depth 6" Side Rail Height

Straight Section Part Numbering

Prefix

Example: **368 SS6 09 - 24 - 240**

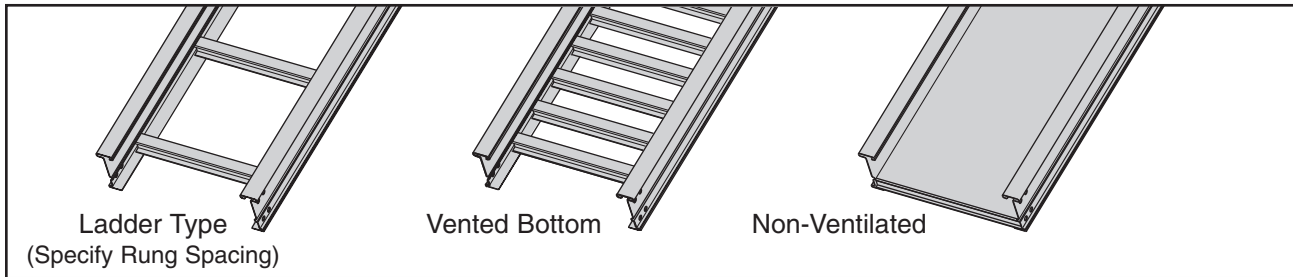
| Series | Material | *Type | *Width | Length |
|--------------|------------------------------------|--|---|--|
| ● 368 | ● SS4 = 304 Stainless Steel | Ladder- ● 06 = 6" rung spacing ● 09 = 9" rung spacing ● 12 = 12" rung spacing | ● 06 = 6" ● 09 = 9" ● 12 = 12" ● 18 = 18" ● 24 = 24" ● 30 = 30" ● 36 = 36" | ● ① 240 = 20 ft. 368 ● ② 144 = 12 ft. ● ① 240 = 20 ft. 464 ● ② 288 = 24 ft. |



- Trough- 6" and Wider**
- **04** = Vented Bottom
 - **SB** = Non-Ventilated

① Primary Length.
② Secondary Length.
See page 39 for explanation of lengths.
Passivation available see page 18.

See page 362 for additional rung options. *Special sizes available.



Values are based on simple beam tests per NEMA VE 1 on 36" wide cable tray rungs spaced on 12" centers. Cable trays will support without collapse a 200 lb. (90.7 kg) concentrated load over and above published loads. Published load safety factor is 1.5. To convert 1.5 safety factor to 2.0, multiply published load by 0.75. To obtain mid-span deflection, multiply a load by the deflection multiplier. Cable tray must be supported on spans shorter than or equal to the length of the cable being installed.

| B-Line Series | Side Rail Dimensions | NEMA, CSA Classifications | Span ft | Load lbs/ft | Deflection Multiplier | Design Factors for Two Rails | Span meters | Load kg/m | Deflection Multiplier | Design Factors for Two Rails |
|----------------|----------------------|--|---------|-------------|-----------------------|---|-------------|-----------|-----------------------|--|
| 368 SS† | | NEMA: 20A, 16B CSA: D1-3m UL Cross-Sectional Area: 0.70 in ² | 10 | 236 | 0.0016 | Area=0.92 in ² Sx=1.41 in ³ Ix=4.77 in ⁴ | 3.0 | 351 | 0.028 | Area=5.94 cm ² Sx=23.11 cm ³ Ix=198.54 cm ⁴ |
| | | | 12 | 164 | 0.0034 | | 3.7 | 244 | 0.058 | |
| | | | 14 | 120 | 0.0062 | | 4.3 | 179 | 0.107 | |
| | | | 16 | 92 | 0.011 | | 4.9 | 137 | 0.182 | |
| | | | 18 | 73 | 0.017 | | 5.5 | 108 | 0.291 | |
| | | | 20 | 59 | 0.026 | | 6.1 | 88 | 0.444 | |

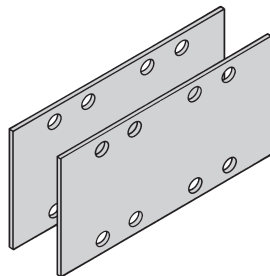
| B-Line Series | Side Rail Dimensions | NEMA, CSA Classifications | Span ft | Load lbs/ft | Deflection Multiplier | Design Factors for Two Rails | Span meters | Load kg/m | Deflection Multiplier | Design Factors for Two Rails |
|----------------|----------------------|---|---------|-------------|-----------------------|---|-------------|-----------|-----------------------|--|
| 464 SS† | | NEMA: 20C+ CSA: E-6m UL Cross-Sectional Area: 1.00 in ² | 12 | 342 | 0.002 | Area=1.49 in ² Sx=2.28 in ³ Ix=7.65 in ⁴ | 3.7 | 508 | 0.036 | Area=9.61 cm ² Sx=37.36 cm ³ Ix=318.42 cm ⁴ |
| | | | 16 | 192 | 0.007 | | 4.9 | 286 | 0.113 | |
| | | | 18 | 152 | 0.011 | | 5.5 | 226 | 0.182 | |
| | | | 20 | 123 | 0.016 | | 6.1 | 183 | 0.277 | |
| | | | 22 | 102 | 0.024 | | 6.7 | 151 | 0.406 | |
| | | | 24 | 85 | 0.034 | | 7.3 | 127 | 0.574 | |

When cable trays are used in continuous spans, the deflection of the cable tray is reduced by as much as 50%. Design factors:
Ix = Moment of Inertia, Sx = Section Modulus. † Insert 4 for 304 stainless steel or 6 for 316 stainless steel.

● Green = Fastest shipped items ● Black = Normal lead-time items ● Red = Normally long lead-time items

Splice Plates

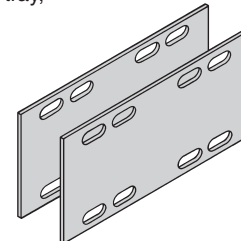
- Standard 8-hole pattern for all stainless steel splice plates.
- Furnished in pairs with hardware.
- One pair including hardware provided with straight section.
- Boxed in pairs with hardware.
- (*) Insert **SS4** or **SS6**



| Catalog No. | Height | |
|-------------|--------|-----|
| | in. | mm |
| 9(*)-8004 | 4 | 101 |
| 9(*)-8005 | 5 | 127 |
| 9(*)-8006 | 6 | 152 |

Expansion Splice Plates

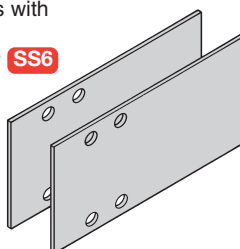
- Expansion plates allow for one inch expansion or contraction of the cable tray, or where expansion joints occur in the support structure.
- Furnished in pairs with hardware.
- **Bonding Jumpers are required. Order Separately.**
- (*) Insert **SS4** or **SS6**



| Catalog No. | Height | |
|-------------|--------|-----|
| | in. | mm |
| 9(*)-8014 | 4 | 101 |
| 9(*)-8015 | 5 | 127 |
| 9(*)-8016 | 6 | 152 |

Universal Splice Plates

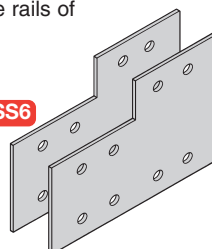
- Used to splice to existing cable tray systems.
- Furnished in pairs with hardware.
- (*) Insert **SS4** or **SS6**



| Catalog No. | Height | |
|---------------|--------|-----|
| | in. | mm |
| 9(*)-8004-1/2 | 4 | 101 |
| 9(*)-8005-1/2 | 5 | 127 |
| 9(*)-8006-1/2 | 6 | 152 |

Step Down Splice Plates

- These splice plates are offered for connecting cable tray sections having side rails of different heights.
- Furnished in pairs with hardware.
- (*) Insert **SS4** or **SS6**

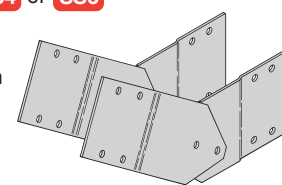


| Catalog No. | Height | |
|-------------|--------|------------|
| | in. | mm |
| 9(*)-8045 | 5 to 4 | 127 to 101 |
| 9(*)-8046 | 6 to 4 | 152 to 101 |
| 9(*)-8060 | 6 to 5 | 152 to 127 |

Vertical Adjustable Splice Plates

- These plates provide for changes in elevation that do not conform to standard vertical fittings.
- Furnished in pairs with hardware.
- (*) Insert **SS4** or **SS6**

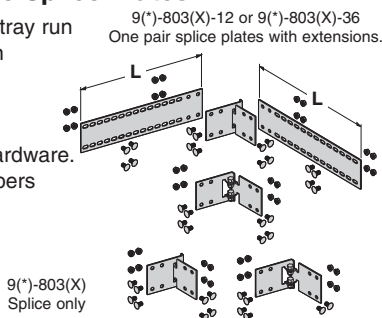
Requires supports within 24" on both sides, per NEMA VE 2.



| Catalog No. | Height | |
|-------------|--------|-----|
| | in. | mm |
| 9(*)-8024 | 4 | 101 |
| 9(*)-8025 | 5 | 127 |
| 9(*)-8026 | 6 | 152 |

Horizontal Adjustable Splice Plates

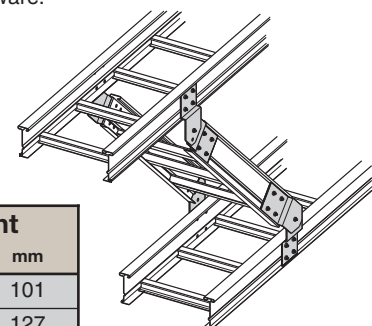
- Offered to adjust a cable tray run for changes in direction in a horizontal plane that do not conform to standard horizontal fittings.
- Furnished in pairs with hardware.
- New design bonding jumpers **not** required.
- (*) Insert **SS4** or **SS6**
- (X) Insert 4, 5 or 6 for side rail height.



| Catalog No. | Cable Tray End Cut | Tray Width | 'L' | Requires supports within 24" on both sides, per NEMA VE 2. |
|----------------|--------------------|------------|-----|--|
| 9(*)-803(X) | Mitered | Thru 36" | N/A | |
| 9(*)-803(X)-12 | Not Mitered | Thru 12" | 16" | |
| 9(*)-803(X)-36 | Not Mitered | Thru 36" | 41" | |

Branch Pivot Connectors

- Branch from existing cable tray runs at any point.
- Pivot to any required angle.
- UL Classified for grounding (bonding jumper not required).
- Furnished in pairs with hardware.
- (*) Insert **SS4** or **SS6**



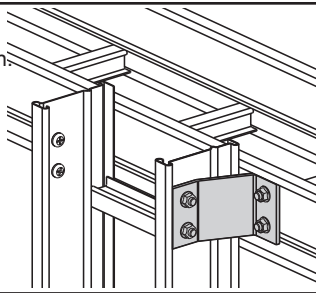
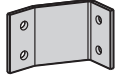
| Catalog No. | Height | |
|-------------|--------|-----|
| | in. | mm |
| 9(*)-8244 | 4 | 101 |
| 9(*)-8245 | 5 | 127 |
| 9(*)-8246 | 6 | 152 |

● Green = Fastest shipped items ● Black = Normal lead-time items ● Red = Normally long lead-time items

Series 3 & 4 Stainless Steel - Accessories

Cross Connector Bracket

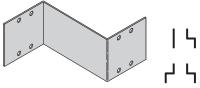
- For field connecting crossing sections.
- Furnished in pairs with 3/8" hardware.
- (*) Insert **SS4** or **SS6**



Catalog No. 9(*)-1240

Offset Reducing Splice Plate

- This plate is used for joining cable trays having different widths. When used in pairs they form a straight reduction; when used singly with a standard splice plate, they form an offset reduction.

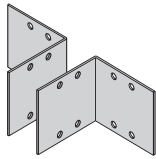


- Furnished as one plate with hardware.
- (‡) Insert reduction
- (*) Insert **SS4** or **SS6**

| Catalog No. | Height | |
|---------------|--------|-----|
| | in. | mm |
| 9(*)-8064-(‡) | 4 | 101 |
| 9(*)-8065-(‡) | 5 | 127 |
| 9(*)-8066-(‡) | 6 | 152 |

Tray to Box Splice Plates

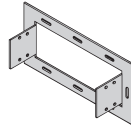
- Used to attach the end of a cable tray run to a distribution box or control panel.
- Furnished in pairs with hardware.
- (*) Insert **SS4** or **SS6**



| Catalog No. | Height | |
|-------------|--------|-----|
| | in. | mm |
| 9(*)-8054 | 4 | 101 |
| 9(*)-8055 | 5 | 127 |
| 9(*)-8056 | 6 | 152 |

Frame Type Box Connector

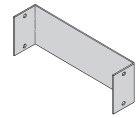
- Designed to attach the end of a cable tray run to a distribution cabinet or control center to help reinforce the box at the point of entry.
- Furnished with cable tray connection hardware.
- (‡) Insert tray width
- (*) Insert **SS4** or **SS6**



| Catalog No. | Height | |
|---------------|--------|-----|
| | in. | mm |
| 9(*)-8074-(‡) | 4 | 101 |
| 9(*)-8075-(‡) | 5 | 127 |
| 9(*)-8076-(‡) | 6 | 152 |

Blind End

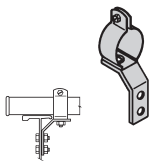
- This plate forms a closure for a dead end cable tray.
- Furnished as one plate with hardware.
- (‡) Insert tray width
- (*) Insert **SS4** or **SS6**



| Catalog No. | Height | |
|---------------|--------|-----|
| | in. | mm |
| 9(*)-8084-(‡) | 4 | 101 |
| 9(*)-8085-(‡) | 5 | 127 |
| 9(*)-8086-(‡) | 6 | 152 |

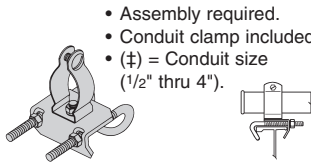
Conduit to Tray Adaptors

- Assembly required.
- Mounting hardware included.
- Conduit clamps provided.
- (‡) = Conduit size (1/2" thru 4").



Catalog No. ● 9SS4-1150-(‡)

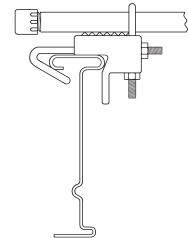
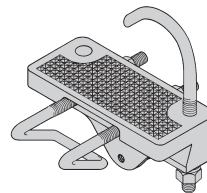
- Assembly required.
- Conduit clamp included.
- (‡) = Conduit size (1/2" thru 4").



Catalog No. ● 9SS4-1155-(‡)

Conduit to Tray Adaptor

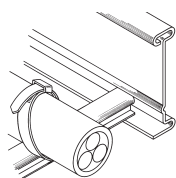
- For easy attachment of conduit terminating at a cable tray.
- Use on aluminum or steel cable trays.



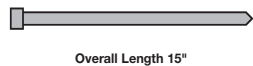
Steel I-Beam

| Catalog No. | Conduit Size | |
|--------------------|--------------|---------|
| | in. | mm |
| ● 9G-1158-1/2, 3/4 | 1/2, 3/4 | 15, 20 |
| ● 9G-1158-1, 1 1/4 | 1, 1 1/4 | 25, 32 |
| ● 9G-1158-1 1/2, 2 | 1 1/2, 2 | 40, 50 |
| ● 9G-1158-2 1/2, 3 | 2 1/2, 3 | 65, 80 |
| ● 9G-1158-3 1/2, 4 | 3 1/2, 4 | 90, 100 |

Cable Tie (Ladder Tray)



Nylon ties provide easy attachment of cable to ladder rungs; maximum cable O.D. of 3" (76mm).



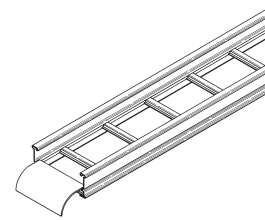
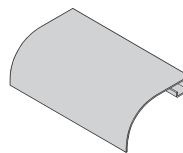
Overall Length 15"

Catalog No. ● 9-2125-15

● Green = Fastest shipped items ● Black = Normal lead-time items ● Red = Normally long lead-time items

Ladder Drop-Out

- Specially-designed Ladder Drop-Outs provide a rounded surface with 4" (101 mm) radius to protect cable as it exits from the cable tray, preventing damage to insulation. The drop-out will attach to any desired rung.
- (‡) Insert tray width
- (*) Insert **SS4** or **SS6**

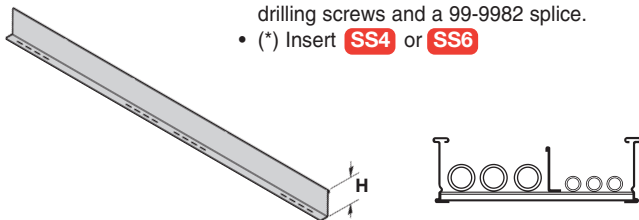


Catalog No. 9(*)-1104-(‡)

Barriers

Straight Section

- Standard length: 120" (3 m) 144" (12 ft.).
- Order catalog number based on loading depth.
- Furnished with four #10 x 1/2" SS4 self-drilling screws and a 99-9982 splice.
- (*) Insert **SS4** or **SS6**

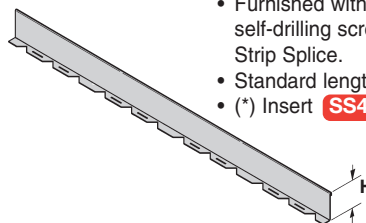


| Catalog No. | Side Rail Height | | Loading Depth 'H' | |
|--------------|------------------|-----|-------------------|-----|
| | in. | mm | in. | mm |
| 73(*)-Length | 4 | 101 | 3 | 76 |
| 74(*)-Length | 5 | 127 | 4 | 101 |
| 75(*)-Length | 6 | 152 | 5 | 127 |

Length =
144 for 12'
or
120 for 10'

Horizontal Bend

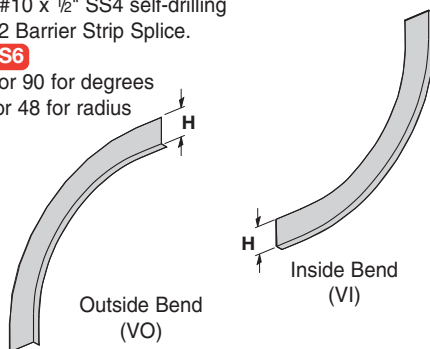
- Horizontal Bend Barriers are flexible in order to conform to any horizontal fitting radius. Cut to length.
- Order catalog number based on loading depth.
- Furnished with three #10 x 1/2" SS4 self-drilling screws and a 99-9982 Barrier Strip Splice.
- Standard length is 72" (6 ft.), sold individually.
- (*) Insert **SS4** or **SS6**



| Catalog No. | Side Rail Height | | Loading Depth 'H' | |
|--------------|------------------|-----|-------------------|-----|
| | in. | mm | in. | mm |
| 73(*)-90HBFL | 4 | 101 | 3 | 76 |
| 74(*)-90HBFL | 5 | 127 | 4 | 101 |
| 75(*)-90HBFL | 6 | 152 | 5 | 127 |

Vertical Bend Barriers

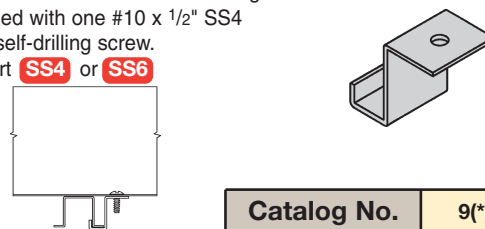
- Vertical Bend Barriers are preformed to conform to a specific vertical fitting.
- Furnished with three #10 x 1/2" SS4 self-drilling screws and a 99-9982 Barrier Strip Splice.
- (*) Insert **SS4** or **SS6**
- (**) Insert 30, 45, 60 or 90 for degrees
- (†) Insert 12, 24, 36 or 48 for radius



| Inside Bend Catalog No. | Outside Bend Catalog No. | Side Rail Height | | Loading Depth 'H' | |
|-------------------------|--------------------------|------------------|-----|-------------------|-----|
| | | in. | mm | in. | mm |
| 73(*)-(**)VI(†) | 73(*)-(**)VO(†) | 4 | 101 | 3 | 76 |
| 74(*)-(**)VI(†) | 74(*)-(**)VO(†) | 5 | 127 | 4 | 101 |
| 75(*)-(**)VI(†) | 75(*)-(**)VO(†) | 6 | 152 | 5 | 127 |

Barrier Strip Clip

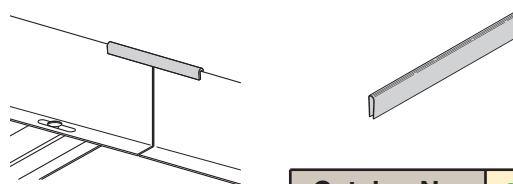
- Zinc plated steel barrier clip fastens to either aluminum or steel ladder rung.
- Furnished with one #10 x 1/2" SS4 plated self-drilling screw.
- (*) Insert **SS4** or **SS6**



Catalog No. 9(*)-9002

Barrier Strip Splice

- Plastic splice holds adjoining barrier strips in straight alignment.



Catalog No. ● 99-9982

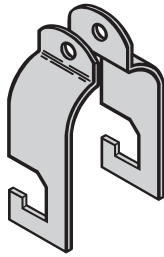
● Green = Fastest shipped items ● Black = Normal lead-time items ● Red = Normally long lead-time items

Series 3 & 4 Stainless Steel - Accessories

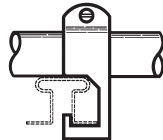
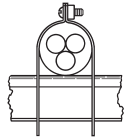
Series 3 & 4 Stainless Steel

Stainless Steel Cable Clamp

- Fits with series 3 & 4 rungs.
- Shipped flat. Field form around the cable at the time of installation.



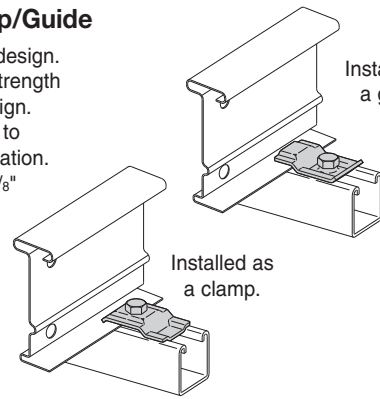
Refer to Section CF
Cable Fixing



| Catalog No. | Cable Size | |
|-------------|-------------|-----------|
| | in. | mm |
| ● 9SS4-4050 | 0.50 - 0.75 | 13 - 19 |
| ● 9SS4-4075 | 0.75 - 1.00 | 19 - 25 |
| ● 9SS4-4100 | 1.00 - 1.25 | 25 - 32 |
| ● 9SS4-4125 | 1.25 - 1.50 | 32 - 38 |
| ● 9SS4-4150 | 1.50 - 1.75 | 38 - 45 |
| ● 9SS4-4175 | 1.75 - 2.00 | 45 - 51 |
| ● 9SS4-4200 | 2.00 - 2.25 | 51 - 57 |
| ● 9SS4-4225 | 2.25 - 2.50 | 57 - 64 |
| ● 9SS4-4250 | 2.50 - 2.75 | 64 - 70 |
| ● 9SS4-4275 | 2.75 - 3.00 | 70 - 76 |
| ● 9SS4-4300 | 3.00 - 3.25 | 76 - 82 |
| ● 9SS4-4325 | 3.25 - 3.50 | 82 - 89 |
| ● 9SS4-4350 | 3.50 - 3.75 | 89 - 95 |
| ● 9SS4-4375 | 3.75 - 4.00 | 95 - 102 |
| ● 9SS4-4400 | 4.00 - 4.25 | 100 - 106 |
| ● 9SS4-4425 | 4.25 - 4.50 | 106 - 113 |
| ● 9SS4-4450 | 4.50 - 4.75 | 113 - 121 |
| ● 9SS4-4475 | 4.75 - 5.00 | 121 - 125 |

Cable Tray Clamp/Guide

- Features a no-twist design.
- Has four times the strength of the traditional design.
- Each side is labeled to ensure proper installation.
- Available for either 3/8" or 1/2" hardware.
- Furnished in pairs without hardware.

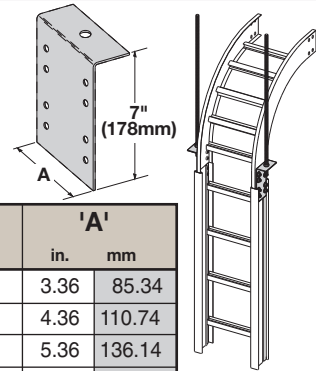


Patent #
RE35479

Catalog No. ● 9SS6-1205

Vertical Tray Hanger

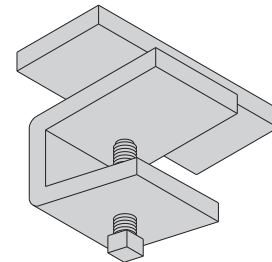
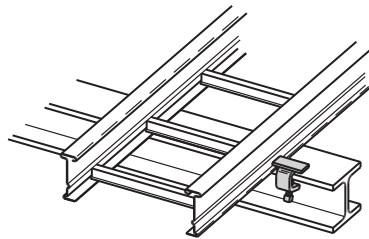
- (*) Insert **SS4** or **SS6**
- Design load 1500 lbs/pair. Safety Factor of 2.5
- Furnished in pairs with hardware.



| Catalog No. | Outside Cable Tray Ht. | 'A' | |
|-------------|---------------------------|------|--------|
| | | in. | mm |
| 9(*)-8224 | 4" | 3.36 | 85.34 |
| 9(*)-8225 | 5" | 4.36 | 110.74 |
| 9(*)-8226 | 6" | 5.36 | 136.14 |
| 9(*)-8227 | 7" | 6.36 | 161.54 |

Cable Tray Guide

- Expansion guide for single or double cable tray runs.
- Guide allows for longitudinal movement of the cable tray.
- No field drilling of support I-beam or channel is required.
- Guides are required on both sides of cable tray to prevent lateral movement - can be placed on either the inside or outside flange of cable tray.
- Guides are sold in pieces - two guides are required per tray.
- Maximum flange thickness 1 1/8" (28.58 mm).



| Catalog No. | Finish |
|-------------|--------|
| ● 9G-1249 | HDGAF |

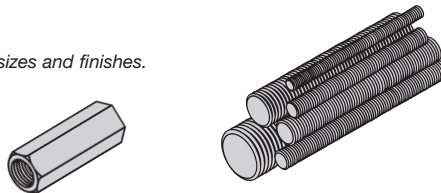
Threaded Rod (ATR) & Rod Coupling

| Size | Loading lbs | Catalog No. | Available Lengths | Coupling Cat. No. |
|--------|-------------|--------------------|-------------------|-------------------|
| 3/8-16 | 730 | ● ATR 3/8 x Length | 36", 72", 144" | ● B655-3/8 |
| 1/2-13 | 1350 | ● ATR 1/2 x Length | 36", 72", 144" | ● B655-1/2 |

Loading based on safety factor 5.

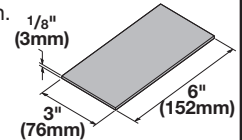
Standard Finish: SS4 or SS6

See B-Line Strut Systems Catalog for other sizes and finishes.



Nylon Pad

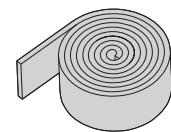
- Use for friction reduction.
- Hardness: Shore D80.
- Low friction coefficient.
- UV resistant.
- Excellent weatherability.
- UL - 94HB.



Cat. No. ● 99-NY36

Neoprene Roll

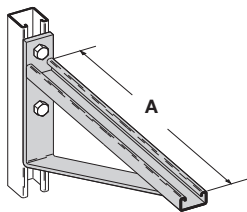
- Use for material isolation.
- 1/8" x 2" x 25' roll.
- Hardness: Shore A60.
- Good weatherability.



Catalog No. ● 99-NP300

● Green = Fastest shipped items ● Black = Normal lead-time items ● Red = Normally long lead-time items

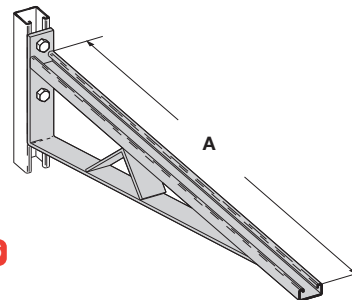
Cantilever Bracket



- (*) Insert **SS4** or **SS6**
- Safety Load Factor 2.5

| Catalog No. | Uniform Load | | Tray Width | | 'A' | |
|-------------------|--------------|------|------------|-----------|-----|-----|
| | lbs | kN | in. | mm | in. | mm |
| B494-12(*) | 1580 | 7.02 | 6 & 9 | 152 & 229 | 12 | 305 |
| B494-18(*) | 1000 | 4.45 | 12 | 305 | 18 | 457 |
| B494-24(*) | 996 | 4.43 | 18 | 457 | 24 | 610 |

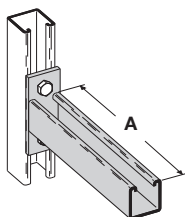
Cantilever Bracket



- (*) Insert **SS4** or **SS6**
- Safety Load Factor 2.5

| Catalog No. | Uniform Load | | Tray Width | | 'A' | |
|-------------------|--------------|------|------------|------|-----|------|
| | lbs | kN | in. | mm | in. | mm |
| B494-30(*) | 924 | 4.11 | 24 | 610 | 30 | 762 |
| B494-36(*) | 864 | 3.84 | 30 | 762 | 36 | 914 |
| B494-42(*) | 580 | 2.58 | 36 | 914 | 42 | 1067 |
| B494-48(*) | 500 | 2.22 | 42 | 1067 | 48 | 1219 |

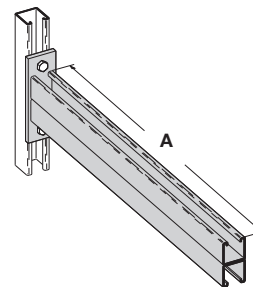
Cantilever Bracket



- (*) Insert **SS4** or **SS6**
- Safety Load Factor 2.5

| Catalog No. | Uniform Load | | Tray Width | | 'A' | |
|-------------------|--------------|------|------------|-----------|-----|-----|
| | lbs | kN | in. | mm | in. | mm |
| B409-12(*) | 960 | 4.27 | 6 & 9 | 152 & 229 | 12 | 305 |
| B409-18(*) | 640 | 2.84 | 12 | 305 | 18 | 457 |
| B409-24(*) | 480 | 2.13 | 18 | 457 | 24 | 610 |

Cantilever Bracket



- (*) Insert **SS4** or **SS6**
- Safety Load Factor 2.5

| Catalog No. | Uniform Load | | Tray Width | | 'A' | |
|-------------------|--------------|------|------------|-----------|-----|------|
| | lbs | kN | in. | mm | in. | mm |
| B297-12(*) | 1660 | 7.37 | 6 & 9 | 152 & 229 | 12 | 305 |
| B297-18(*) | 1100 | 4.88 | 12 | 305 | 18 | 457 |
| B297-24(*) | 835 | 3.71 | 18 | 457 | 24 | 610 |
| B297-30(*) | 665 | 2.95 | 24 | 610 | 30 | 762 |
| B297-36(*) | 550 | 2.44 | 30 | 762 | 36 | 914 |
| B297-42(*) | 465 | 2.06 | 36 | 914 | 42 | 1067 |

Rooftop Support Bases with B22 Channel

Designed as a superior rooftop support for cable tray,

UV resistant and approved for most roofing material or other flat surfaces.

Can be used with any of Cooper B-Line's cable tray clamps and guides.

Ultimate Load Capacity:
1,000 lbs. (uniform load)



| Catalog No. | Height x Width x Length |
|------------------|--|
| ● DB10-28 | 5 ⁵ / ₈ " x 6" x 28.0" |
| ● DB10-36 | 5 ⁵ / ₈ " x 6" x 36.0" |
| ● DB10-42 | 5 ⁵ / ₈ " x 6" x 42.0" |
| ● DB10-50 | 5 ⁵ / ₈ " x 6" x 50.0" |
| ● DB10-60 | 5 ⁵ / ₈ " x 6" x 60.0" |

LEEDS credit available, base made from 100% recycled material.

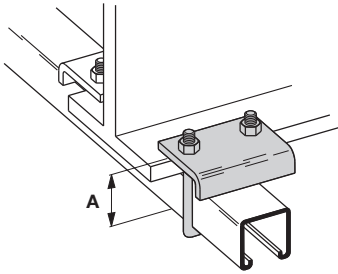
General Note: Consult roofing manufacturer or engineer for roof load capacity. The weakest point may be the insulation board beneath the rubber membrane.

● Green = Fastest shipped items ● Black = Normal lead-time items ● Red = Normally long lead-time items

Series 3 & 4 Stainless Steel - Accessories

Beam Clamp

- Sold in pieces with hardware.
- Finishes available: **SS4** or **SS6**

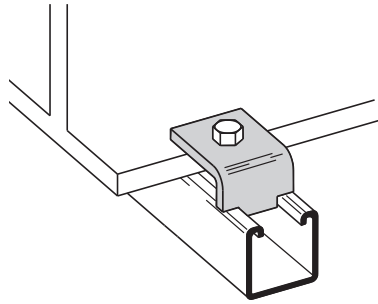


Design load when used in pairs.
Safety Load Factor 5.0

| Catalog No. | Design Load* | | 'A' | |
|--------------------|--------------|------|-------------------------------|-----|
| | lbs | kN | in. | mm |
| B441-22(*) | 1200 | 5.34 | 3 ³ / ₈ | 86 |
| B441-22A(*) | 1200 | 5.34 | 5 | 127 |

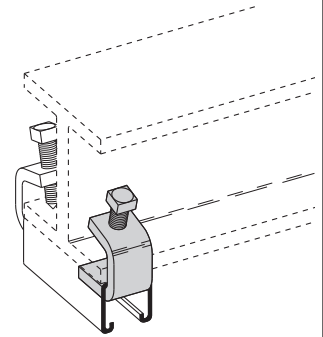
Beam Clamp B355SS4 ●

- Sold in pieces.
- Design load is 1200 lbs. when used in pairs.
- Safety Load Factor 5.0
- Order HHCS and Channel Nuts separately.



Beam Clamp

- Sold in pieces.
- 304 stainless steel

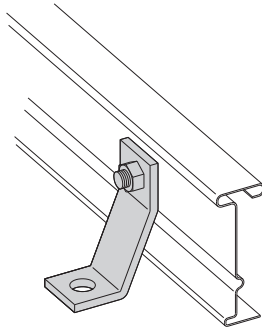


Design load when used in pairs.
Safety Load Factor 5.0

| Cat. No. | ● B212-1/4SS4 | | ● B212-3/8SS4 | |
|-------------------|---------------|----------|---------------|-----------|
| | Design Load * | 600 lbs. | 2.67 kN | 1000 lbs. |
| Max. Flange Thick | 3/4" | 19 mm | 1 1/8" | 28.6 mm |
| Mat'l. Thickness | 1/4" | 6.3 mm | 3/8" | 9.5 mm |

Heavy Duty Hold Down Bracket

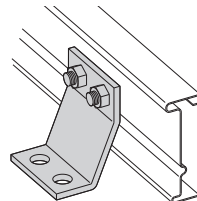
- Design load is 2000 lbs/pair.
- Two bolt design.
- Sold in pairs.
- 3/8" cable tray attachment hardware provided.
- 1/2" support attachment hardware **not** provided.
- (*) Insert **SS4** or **SS6**



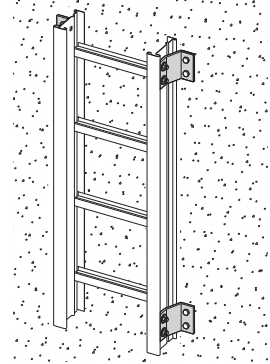
Catalog No. 9(*)-1241

Heavy Duty Hold-Down Bracket

- Design load is 4000 lbs/pair.
- Four bolt design.
- Sold in pairs.
- 3/8" cable tray attachment hardware provided
- 1/2" support attachment hardware **not** provided.
- (*) Insert **SS4** or **SS6**

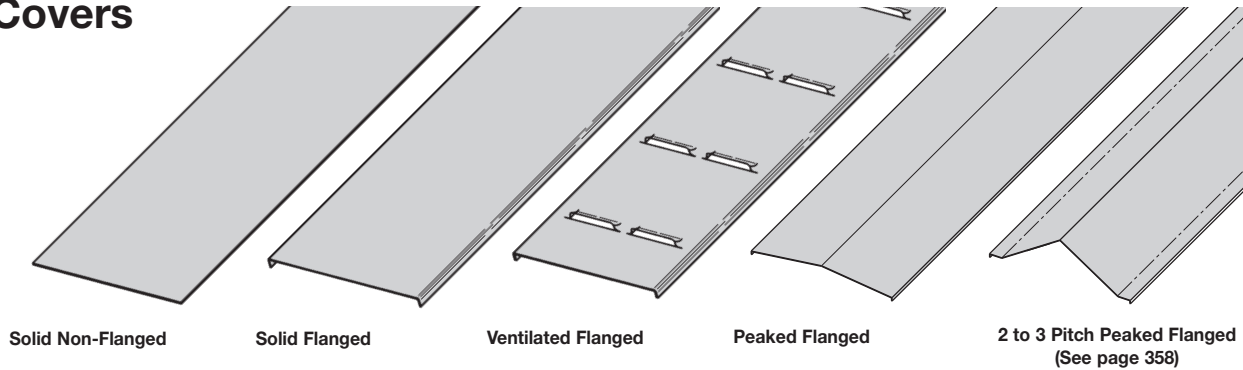


Catalog No. 9(*)-1242



● Green = Fastest shipped items ● Black = Normal lead-time items ● Red = Normally long lead-time items

Covers



A full range of covers is available for straight sections and fittings.

Solid covers should be used when maximum enclosure of the cable is desired and no accumulation of heat is expected. **Ventilated covers** provide an overhead cable shield yet allow heat to escape.

Cooper B-Line recommends that covers be placed on vertical cable tray runs to a height of 6 ft. (1.83 m) to 8 ft. (2.44 m) above the floor to isolate both cables and personnel. **Flanged covers** have a 1/2 in. (13 mm) flange. Cover clamps are **not included** with the cover and must be ordered separately. All **peaked covers** are flanged. Standard peaked covers have 1/2" peak. Special purpose peaked covers, having a 2 to 3 pitch, provide additional slope and material thickness. The 2 to 3 pitch fitting covers are of multiple piece, welded construction.

Stainless Steel Cover Part Numbering

Prefix
Example: **80 3 SS4 - 20 - 24 - 144**

| Cover Type | Detail | Material | Material Thickness | Tray Width | Item Description |
|--|--|--|---|--|---|
| <ul style="list-style-type: none"> ● 80 = Solid ● 81 = Ventilated ● 82 = Peaked | <ul style="list-style-type: none"> ● 2= Flanged Stainless Steel (All fittings) ● 3= Flanged Stainless Steel (All straight sections) ● 4= Non-Flanged Stainless Steel (80 & 81 type only) (All fittings) | <ul style="list-style-type: none"> ● SS4 = 304 Stainless Steel ● SS6 = 316 Stainless Steel | <ul style="list-style-type: none"> ● 20 = 20 Ga. Stainless Steel | <ul style="list-style-type: none"> ● 06 = 6" ● 09 = 9" ● 12 = 12" ● 18 = 18" ● 24 = 24" ● 30 = 30" ● 36 = 36" | <p>For Straight Section Cover:</p> <ul style="list-style-type: none"> ● 144 = 12 ft. (3.66 m) ● 120 = 10 ft. (3.05 m) ● 72 = 6 ft. (1.83 m) ● 60 = 5 ft. (1.52 m) <p>For fitting covers: Insert suffix of fitting to be covered. See example below.</p> |

Covers 30" and 36" wide have reinforcing ridges.

Examples of Catalog Numbers for Fitting Covers:

| Horizontal Bend Cover | | | | Vertical Bend Cover | | | |
|-----------------------|--------|---------|------------|---------------------|--------|--------------|------------|
| Prefix | Suffix | | | Prefix | Suffix | | |
| 80 2 | SS4 | 20 - 18 | -90 HB 24 | 80 2 | SS4 | 20 - 24 - 90 | VO 24 - 4* |
| | | | Radius | | | | Side Rail* |
| | | | Fitting | | | | Height |
| | | | Angle | | | | Radius |
| | | | Width | | | | Fitting |
| | | | Material | | | | Angle |
| | | | Thickness | | | | Width |
| | | | Material | | | | Material |
| | | | Detail | | | | Thickness |
| | | | Cover Type | | | | Material |
| | | | | | | | Detail |
| | | | | | | | Cover Type |

* Required for VO fittings only

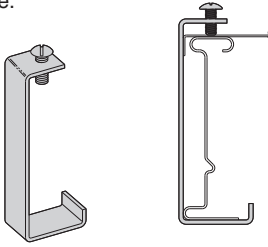
● Green = Fastest shipped items ● Black = Normal lead-time items ● Red = Normally long lead-time items

Series 3 & 4 Stainless Steel - Accessories

Series 3 & 4 Stainless Steel

Standard Cover Clamp

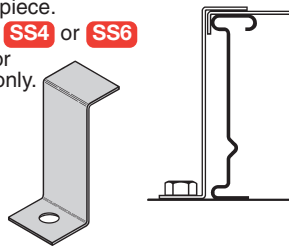
- For indoor service only.
- Sold per piece.



| Tray Type | Side Rail Height | | Catalog No. |
|-----------------|------------------|-----|-------------|
| | in. | mm | |
| Stainless Steel | 4 | 101 | ● 9SS6-9014 |
| | 5 | 127 | ● 9SS6-9015 |
| | 6 | 152 | ● 9SS6-9016 |

Combination Cover and Hold Down Clamp

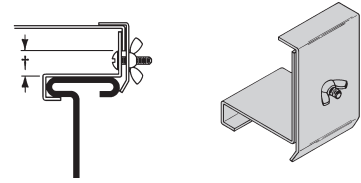
- Sold per piece.
- (*) Insert **SS4** or **SS6**
- For indoor service only.



| Tray Type | Side Rail Height | | Catalog No. |
|-----------------|------------------|-----|-------------|
| | in. | mm | |
| Stainless Steel | 4 | 101 | 9(*)-9043 |
| | 5 | 127 | 9(*)-9053 |
| | 6 | 152 | 9(*)-9063 |

Raised Cover Clamp

- For indoor service only.
- (*) Insert **SS4** or **SS6**
- For use with flanged covers only.

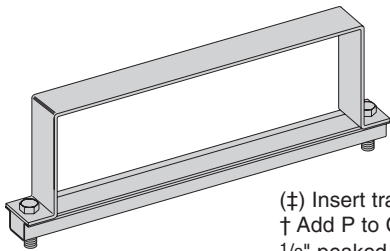


† Specify gap of 1", 2", 3" or 4".

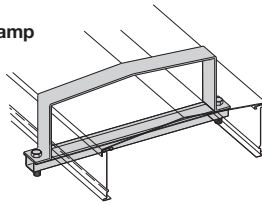
| Tray Type | Catalog No. |
|-------------------------------------|-------------|
| Series 3 & 4 Steel Straight Section | 9(*)-9115-† |
| All Steel Fittings | 9(*)-910† |

Heavy Duty Cover Clamp

- Recommended for outdoor service.
- (*) Insert **SS4** or **SS6**



Peaked Cover Clamp

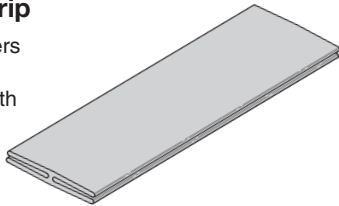


(‡) Insert tray width
† Add P to Catalog No. for 1/2" peaked cover clamp.

| Catalog No. | Side Rail Height | |
|----------------|------------------|-----|
| | in. | mm |
| 9(*)-(‡)-9044† | 4 | 101 |
| 9(*)-(‡)-9054† | 5 | 127 |
| 9(*)-(‡)-9064† | 6 | 152 |

Cover Joint Strip

- Used to join Covers
- Plastic
- (‡) Insert tray width



Catalog No. ● 99-9980-(‡)

Quantity of Standard Cover Clamps Required

Straight Section 60" or 72"4 pcs.
 Straight Section 120" or 144"6 pcs.
 Horizontal/Vertical Bends4 pcs.
 Tees6 pcs.
 Crosses8 pcs.

Note: When using the Heavy Duty Cover Clamp, only one-half the number of clamps stated above is required.

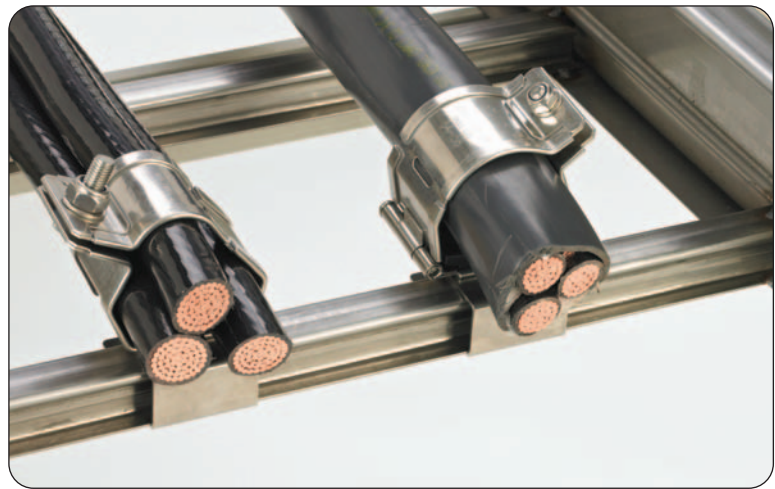
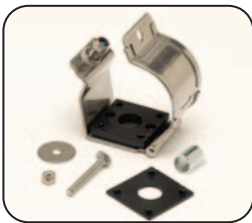
Cable Cleats

(see pages 356 thru 360)

Trefoil Cable Cleats



Single Cable Cleats



● Green = Fastest shipped items ● Black = Normal lead-time items ● Red = Normally long lead-time items

Section 1- Acceptable Manufacturers

- 1.01 Manufacturer: Subject to compliance with these specifications, cable tray systems shall be as manufactured by Cooper B-Line, Inc.

Section 2- Cable Tray Sections and Components

- 2.01 General: Except as otherwise indicated, provide metal cable trays, of types, classes and sizes indicated; with splice plates, bolts, nuts and washers for connecting units. Construct units with rounded edges and smooth surfaces; in compliance with applicable standards; and with the following additional construction features. Cable tray shall be installed according to the latest revision of NEMA VE 2.
- 2.02 Stainless Steel: Straight section and fitting side rails and rungs shall be made of AISI Type [304] [316] stainless steel. Transverse members (rungs) or corrugated bottoms shall be welded to the side rails with Type 316 stainless steel welding wire. Hardware shall be AISI Type 316 stainless steel.
- 2.03 Ladder Cable Trays shall consist of two longitudinal members (side rails) with transverse members (rungs) welded to the side rails. Rungs shall be spaced [6] [9] [12] inches on center. Rung spacing in radiused fittings shall be industry standard 9" and measured at the center of the tray's width. Each rung must be capable of supporting a 200 lb. concentrated load at the center of the cable tray with a safety factor of 1.5.
- 2.04 Ventilated Trough Cable Trays shall consist of two longitudinal members (side rails) with a corrugated bottom welded to the side rails or rungs spaced 4" on center. The peaks of the corrugated bottom shall have a minimum flat cable bearing surface of 2³/₄" and shall be spaced on 6" centers. To provide ventilation in the tray, the valleys of the corrugated bottom shall have 2¹/₄" x 4" rectangular holes punched along the width of the bottom.
- 2.05 Non-Ventilated Bottom Trough Cable Trays shall consist of two longitudinal members (side rails) with a corrugated bottom welded to the side rails or a solid sheet over rungs. The peaks of the corrugated bottom shall have a minimum flat cable bearing surface of 2³/₄" and shall be spaced on 6" centers.
- 2.06 Cable tray loading depth shall be [3] [4] [5] inches per NEMA VE 1.
- 2.07 Straight sections shall be fabricated as I-beams. Straight sections shall be supplied in standard [12 foot] [24 foot] [10 foot (3 m)] [20 foot (6 m)] lengths.
- 2.08 Cable tray widths shall be [6] [9] [12] [18] [24] [30] [36] inches or as shown on drawings.
- 2.09 Splice plates shall be manufactured of high strength steel and be secured with 8 nuts and bolts per plate. The resistance of fixed splice connections between an adjacent section of tray shall not exceed 0.00033 ohm.
- 2.11 All fittings must have a minimum radius of [12] [24] [36] [48] inches.

Section 3- Loading Capacities and Testing

- 3.01 Cable tray shall be capable of carrying a uniformly distributed load of _____ lbs./ft. on a _____ ft. support span with a safety factor of 1.5 when supported as a simple span and tested per NEMA VE 1 5.2. In addition to the uniformly distributed load the cable tray shall support 200 lbs. concentrated load at mid-point of span. Load and safety factors specified are applicable to both the side rails and rung capacities. Cable tray shall be made to manufacturing tolerances as specified by NEMA.
- 3.02 Upon request, manufacturer shall provide test reports in accordance with the latest revision of NEMA VE 1 or CSA C22.2 No. 126.

Series 2, 3, 4, & 5 - Fittings

Series 2, 3, 4, & 5 Fittings





How The Service Advisor Works

B-Line knows that your time is important! That's why the color-coding system in this catalog is designed to help you select products that fit your service needs. Products are marked to indicate the typical lead time for orders of 50 pieces or less.

Customer: How do I select my fittings so that I get the quickest turnaround?

Service Advisor: Each part of our selection chart is shown in colors. If any section of a part number is a different color, the part will typically ship with the longer lead time represented by the colors.

- Green = Fastest shipped items
- Black = Normal lead-time items
- Red = Normally long lead-time items

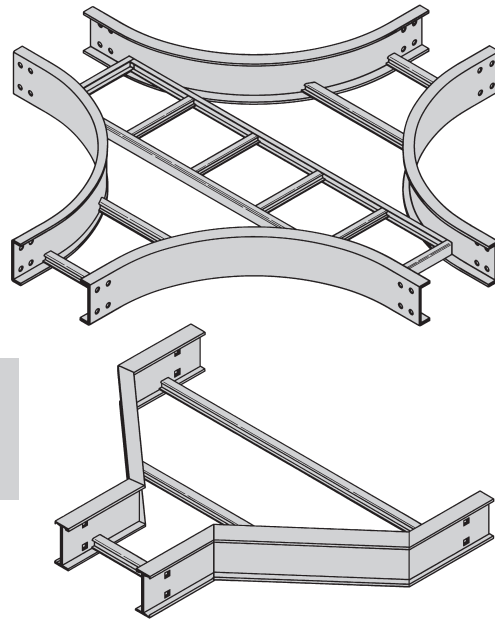
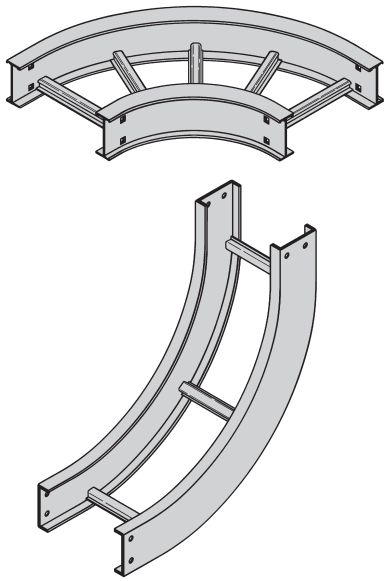
Example: 5 G - 09 - 90 HB 24

● ● ● ● ● ●

Part will have a long lead time because of the G material.

Changing the part number from G to A or P will change the coding to black and reduce lead time.

Series 2, 3, 4, & 5 - Fittings



Fittings engineered with 3" tangents for splicing integrity.

Series 2, 3, 4, & 5 Fittings

Fittings Part Numbering

Prefix

Example: **4 A - 24 - 90 HB 24**

(9" rung spacing is standard)

Side Rail Height

- 4 = 4" (101)
- 5 = 5" (127)
- 6 = 6" (152)
- 7 = 7" (178)

Material

- A= Aluminum
- G=HDGAF
- P= Pre-Galvanized
- SS4= 304 Stainless Steel
- SS6= 316 Stainless Steel

Width

- 06 = 6" (152)
- 09 = 9" (228)
- 12 = 12" (305)
- 18 = 18" (457)
- 24 = 24" (609)
- 30 = 30" (762)
- 36 = 36" (914)

Angle

- 30 = 30°
- 45 = 45°
- 60 = 60°
- 90 = 90°

Type

- HB = Horizontal Bend
- HT = Horizontal Tee
- HX = Horizontal Cross
- VI = Vertical Inside Bend
- VO = Vertical Outside Bend
- VT = Vertical Tee
- VTU = Vertical Tee, Up
- HYR = Horizontal Wye, Right
- HYL = Horizontal Wye, Left
- CSF = Cable Support Fitting
- LR = Left Reducer Fitting
- RR = Right Reducer Fitting
- SR = Straight Reducer Fitting

Radius

- 12 = 12" (305)
- 24 = 24" (609)
- 36 = 36" (914)
- 48 = 48" (1219)

See page 363 for 6" fittings with 9A-6006 and 9A-6007 splice plates.

For ventilated trough, solid trough, ventilated bottom or solid bottom, add VT, ST, 04 or SB as shown below: Available 6" thru 36"

Prefix
4AVT - 24 - 90HB24

Vented Trough

Prefix
4PST - 24 - 90HB24

Non-Ventilated Trough

For flat non-ventilated: Available 6" and Wider

Prefix
5PSB - 24 - 90HB24

Non-Ventilated

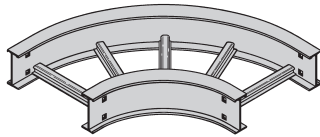
Note: Horizontal crosses and tees 30" or wider, with a radius of 36" or larger, will be of two-piece construction.

● Green = Fastest shipped items ● Black = Normal lead-time items ● Red = Normally long lead-time items

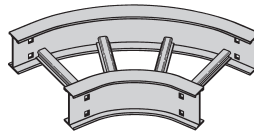
Series 2, 3, 4, & 5 - Fittings

Horizontal Bend 90° 60° (HB)

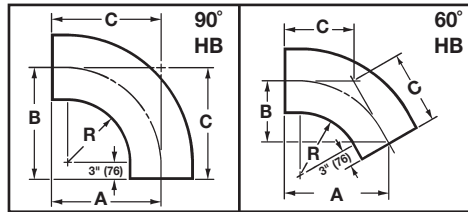
1 pair splice plates with hardware included.



90° Horizontal Bend



60° Horizontal Bend



Bottoms manufactured:

Ladder = 9" Rung Spacing

VT & 04 = 4" Rung Spacing

ST & SB = Flat sheet over

12" Rung Spacing

| Bend Radius R | Tray Width | | 90° Horizontal Bend Dimensions | | | | | | 60° Horizontal Bend Dimensions | | | | | | | | | |
|------------------|------------|----|--------------------------------|-----------------|--------------------------------|------|--------------------------------|------|--------------------------------|-------------|-----------------|----------------------------------|------|--------------------------------|-----|----------------------------------|------|----|
| | | | Catalog No. | | | A | | B | | Catalog No. | | | A | | B | | C | |
| | | | in. | mm | in. | mm | in. | mm | in. | mm | in. | mm | in. | mm | in. | mm | in. | mm |
| 12 | 305 | 6 | 152 | (Pre)-06-90HB12 | 18 | 457 | 18 | 457 | 18 | 457 | (Pre)-06-60HB12 | 17 ¹ / ₂ | 445 | 10 ¹ / ₈ | 257 | 11 ¹¹ / ₁₆ | 297 | |
| | | 9 | 228 | (Pre)-09-90HB12 | 19 ¹ / ₂ | 495 | 19 ¹ / ₂ | 495 | 19 ¹ / ₂ | 495 | (Pre)-09-60HB12 | 18 ¹³ / ₁₆ | 478 | 10 ⁷ / ₈ | 276 | 12 ¹ / ₂ | 318 | |
| | | 12 | 305 | (Pre)-12-90HB12 | 21 | 533 | 21 | 533 | 21 | 533 | (Pre)-12-60HB12 | 20 ¹ / ₁₆ | 510 | 11 ⁵ / ₈ | 295 | 13 ³ / ₈ | 340 | |
| | | 18 | 457 | (Pre)-18-90HB12 | 24 | 610 | 24 | 610 | 24 | 610 | (Pre)-18-60HB12 | 22 ¹¹ / ₁₆ | 576 | 13 ¹ / ₈ | 333 | 15 ¹ / ₈ | 384 | |
| | | 24 | 609 | (Pre)-24-90HB12 | 27 | 686 | 27 | 686 | 27 | 686 | (Pre)-24-60HB12 | 25 ⁵ / ₁₆ | 643 | 14 ⁵ / ₈ | 372 | 16 ⁷ / ₈ | 429 | |
| | | 30 | 762 | (Pre)-30-90HB12 | 30 | 762 | 30 | 762 | 30 | 762 | (Pre)-30-60HB12 | 27 ⁷ / ₈ | 708 | 16 ¹ / ₈ | 410 | 18 ⁹ / ₁₆ | 472 | |
| | | 36 | 914 | (Pre)-36-90HB12 | 33 | 838 | 33 | 838 | 33 | 838 | (Pre)-36-60HB12 | 30 ¹ / ₂ | 775 | 17 ⁵ / ₈ | 448 | 20 ⁵ / ₁₆ | 516 | |
| | | 42 | 1218 | (Pre)-42-90HB12 | 36 | 914 | 36 | 914 | 36 | 914 | (Pre)-42-60HB12 | 33 ¹ / ₁₆ | 840 | 19 ¹ / ₈ | 486 | 22 ¹ / ₁₆ | 560 | |
| 24 | 610 | 6 | 152 | (Pre)-06-90HB24 | 30 | 762 | 30 | 762 | 30 | 762 | (Pre)-06-60HB24 | 27 ⁷ / ₈ | 708 | 16 ¹ / ₈ | 410 | 18 ⁹ / ₁₆ | 472 | |
| | | 9 | 228 | (Pre)-09-90HB24 | 31 ¹ / ₂ | 800 | 31 ¹ / ₂ | 800 | 31 ¹ / ₂ | 800 | (Pre)-09-60HB24 | 29 ⁹ / ₁₆ | 741 | 16 ⁷ / ₈ | 429 | 19 ⁷ / ₁₆ | 494 | |
| | | 12 | 305 | (Pre)-12-90HB24 | 33 | 838 | 33 | 838 | 33 | 838 | (Pre)-12-60HB24 | 30 ¹ / ₂ | 775 | 17 ⁵ / ₈ | 448 | 20 ⁵ / ₁₆ | 516 | |
| | | 18 | 457 | (Pre)-18-90HB24 | 36 | 914 | 36 | 914 | 36 | 914 | (Pre)-18-60HB24 | 33 ¹ / ₁₆ | 708 | 19 ¹ / ₈ | 486 | 22 ¹ / ₁₆ | 560 | |
| | | 24 | 609 | (Pre)-24-90HB24 | 39 | 991 | 39 | 991 | 39 | 991 | (Pre)-24-60HB24 | 35 ¹¹ / ₁₆ | 907 | 20 ⁵ / ₈ | 524 | 23 ³ / ₁₆ | 605 | |
| | | 30 | 762 | (Pre)-30-90HB24 | 42 | 1067 | 42 | 1067 | 42 | 1067 | (Pre)-30-60HB24 | 38 ¹ / ₄ | 972 | 22 ¹ / ₈ | 564 | 25 ¹ / ₂ | 648 | |
| | | 36 | 914 | (Pre)-36-90HB24 | 45 | 1143 | 45 | 1143 | 45 | 1143 | (Pre)-36-60HB24 | 40 ⁷ / ₈ | 1038 | 23 ⁵ / ₈ | 600 | 27 ¹ / ₄ | 692 | |
| | | 42 | 1218 | (Pre)-42-90HB24 | 48 | 1219 | 48 | 1219 | 48 | 1219 | (Pre)-42-60HB24 | 43 ¹ / ₂ | 1105 | 25 ¹ / ₈ | 638 | 29 | 737 | |
| 36 | 915 | 6 | 152 | (Pre)-06-90HB36 | 42 | 1067 | 42 | 1067 | 42 | 1067 | (Pre)-06-60HB36 | 38 ¹ / ₄ | 971 | 22 ¹ / ₈ | 562 | 25 ¹ / ₂ | 648 | |
| | | 9 | 228 | (Pre)-09-90HB36 | 43 ¹ / ₂ | 1105 | 43 ¹ / ₂ | 1105 | 43 ¹ / ₂ | 1105 | (Pre)-09-60HB36 | 39 ⁹ / ₁₆ | 1005 | 22 ⁷ / ₈ | 581 | 26 ³ / ₈ | 670 | |
| | | 12 | 305 | (Pre)-12-90HB36 | 45 | 1143 | 45 | 1143 | 45 | 1143 | (Pre)-12-60HB36 | 40 ⁷ / ₈ | 1038 | 23 ⁵ / ₈ | 600 | 27 ¹ / ₄ | 692 | |
| | | 18 | 457 | (Pre)-18-90HB36 | 48 | 1219 | 48 | 1219 | 48 | 1219 | (Pre)-18-60HB36 | 43 ¹ / ₂ | 1105 | 25 ¹ / ₈ | 638 | 29 | 737 | |
| | | 24 | 609 | (Pre)-24-90HB36 | 51 | 1295 | 51 | 1295 | 51 | 1295 | (Pre)-24-60HB36 | 46 ¹ / ₁₆ | 1170 | 26 ⁵ / ₈ | 676 | 30 ¹¹ / ₁₆ | 780 | |
| | | 30 | 762 | (Pre)-30-90HB36 | 54 | 1372 | 54 | 1372 | 54 | 1372 | (Pre)-30-60HB36 | 48 ¹ / ₁₆ | 1237 | 28 ¹ / ₈ | 714 | 32 ⁷ / ₁₆ | 824 | |
| | | 36 | 914 | (Pre)-36-90HB36 | 57 | 1448 | 57 | 1488 | 57 | 1448 | (Pre)-36-60HB36 | 51 ¹ / ₄ | 1302 | 29 ⁵ / ₈ | 753 | 34 ³ / ₁₆ | 869 | |
| | | 42 | 1218 | (Pre)-42-90HB36 | 60 | 1524 | 60 | 1524 | 60 | 1524 | (Pre)-42-60HB36 | 53 ⁷ / ₈ | 1368 | 31 ¹ / ₈ | 791 | 35 ¹⁵ / ₁₆ | 913 | |
| 48 | 1220 | 6 | 152 | (Pre)-06-90HB48 | 54 | 1372 | 54 | 1372 | 54 | 1372 | (Pre)-06-60HB48 | 48 ¹ / ₁₆ | 1221 | 28 ¹ / ₈ | 715 | 32 ¹¹ / ₁₆ | 830 | |
| | | 9 | 228 | (Pre)-09-90HB48 | 55 ¹ / ₂ | 1410 | 55 ¹ / ₂ | 1410 | 55 ¹ / ₂ | 1410 | (Pre)-09-60HB48 | 49 ¹⁵ / ₁₆ | 1268 | 28 ⁷ / ₈ | 734 | 33 ⁹ / ₁₆ | 846 | |
| | | 12 | 305 | (Pre)-12-90HB48 | 57 | 1448 | 57 | 1448 | 57 | 1448 | (Pre)-12-60HB48 | 51 ¹ / ₄ | 1302 | 29 ⁵ / ₈ | 753 | 34 ³ / ₁₆ | 868 | |
| | | 18 | 457 | (Pre)-18-90HB48 | 60 | 1524 | 60 | 1524 | 60 | 1524 | (Pre)-18-60HB48 | 53 ⁷ / ₈ | 1368 | 31 ¹ / ₈ | 791 | 35 ¹⁵ / ₁₆ | 913 | |
| | | 24 | 609 | (Pre)-24-90HB48 | 63 | 1600 | 63 | 1600 | 63 | 1600 | (Pre)-24-60HB48 | 56 ⁷ / ₁₆ | 1434 | 32 ⁵ / ₈ | 829 | 37 ⁵ / ₈ | 956 | |
| | | 30 | 762 | (Pre)-30-90HB48 | 66 | 1676 | 66 | 1676 | 66 | 1676 | (Pre)-30-60HB48 | 59 ¹ / ₁₆ | 1500 | 34 ¹ / ₈ | 867 | 39 ³ / ₈ | 1000 | |
| | | 36 | 914 | (Pre)-36-90HB48 | 69 | 1753 | 69 | 1753 | 69 | 1753 | (Pre)-36-60HB48 | 61 ¹¹ / ₁₆ | 1567 | 35 ⁵ / ₈ | 905 | 41 ¹ / ₈ | 1045 | |
| | | 42 | 1218 | (Pre)-42-90HB48 | 72 | 1829 | 72 | 1829 | 72 | 1829 | (Pre)-42-60HB48 | 64 ¹ / ₄ | 1632 | 37 ¹ / ₈ | 943 | 42 ¹³ / ₁₆ | 1087 | |

(Pre) See page 288 for catalog number prefix.

All dimensions in parentheses are in millimeters unless otherwise specified.

Width dimensions are to inside wall. For aluminum fittings add 1.5 inches for total outside width.

Manufacturing tolerances apply to all dimensions.

Series 2, 3, 4, & 5 - Fittings

Horizontal Bend 45° 30° (HB)

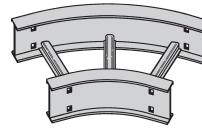
1 pair splice plates with hardware included.

Bottoms manufactured:

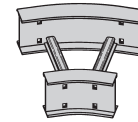
Ladder = 9" Rung Spacing

VT & 04 = 4" Rung Spacing

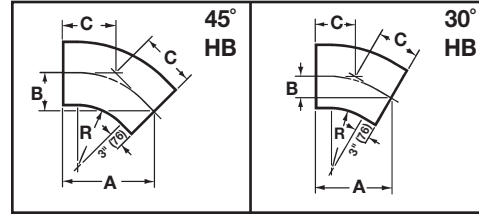
ST & SB = Flat sheet over
12" Rung Spacing



45° Horizontal Bend



30° Horizontal Bend



Series 2, 3, 4, & 5 Fittings

| Bend Radius R | Tray Width | | 45° Horizontal Bend | | | | | | | 30° Horizontal Bend | | | | | | |
|------------------|-----------------|----------------------------------|---------------------|----------------------------------|------|----------------------------------|------------|----------------------------------|--------------------------------|---------------------|---------------------------------|-----|----------------------------------|-----|----------------------------------|-----|
| | | | Dimensions | | | | Dimensions | | | | Dimensions | | | | | |
| | | | Catalog No. | A | | B | | C | | Catalog No. | A | | B | | C | |
| in. mm | in. mm | in. | mm | in. | mm | in. | mm | in. | mm | in. | mm | in. | mm | | | |
| 12 | 305 | 6 152 | (Pre)-06-45HB12 | 15 ³ / ₄ | 400 | 6 ¹ / ₂ | 165 | 9 ³ / ₁₆ | 233 | (Pre)-06-30HB12 | 13 ¹ / ₈ | 333 | 3 ¹ / ₂ | 89 | 7 | 179 |
| | | 9 228 | (Pre)-09-45HB12 | 16 ¹³ / ₁₆ | 427 | 6 ¹⁵ / ₁₆ | 176 | 9 ¹³ / ₁₆ | 249 | (Pre)-09-30HB12 | 13 ⁷ / ₈ | 352 | 3 ¹¹ / ₁₆ | 94 | 7 ⁷ / ₁₆ | 189 |
| | | 12 305 | (Pre)-12-45HB12 | 17 ⁷ / ₈ | 454 | 7 ³ / ₈ | 187 | 10 ⁷ / ₁₆ | 265 | (Pre)-12-30HB12 | 14 ⁵ / ₈ | 372 | 3 ¹⁵ / ₁₆ | 100 | 7 ¹³ / ₁₆ | 198 |
| | | 18 457 | (Pre)-18-45HB12 | 20 | 508 | 8 ¹ / ₄ | 210 | 11 ¹¹ / ₁₆ | 297 | (Pre)-18-30HB12 | 16 ¹ / ₈ | 410 | 4 ⁵ / ₁₆ | 135 | 8 ⁵ / ₈ | 219 |
| | | 24 609 | (Pre)-24-45HB12 | 22 ¹ / ₁₆ | 560 | 9 ¹ / ₈ | 232 | 12 ¹⁵ / ₁₆ | 329 | (Pre)-24-30HB12 | 17 ⁵ / ₈ | 448 | 4 ¹¹ / ₁₆ | 119 | 9 ⁷ / ₁₆ | 240 |
| | | 30 762 | (Pre)-30-45HB12 | 24 ³ / ₁₆ | 614 | 10 | 254 | 14 ³ / ₁₆ | 360 | (Pre)-30-30HB12 | 19 ¹ / ₈ | 486 | 5 ¹ / ₈ | 130 | 10 ¹ / ₄ | 260 |
| | | 36 914 | (Pre)-36-45HB12 | 26 ⁵ / ₁₆ | 668 | 10 ¹⁵ / ₁₆ | 278 | 15 ⁷ / ₁₆ | 392 | (Pre)-36-30HB12 | 20 ⁵ / ₈ | 524 | 5 ¹ / ₂ | 140 | 11 ¹ / ₁₆ | 281 |
| 42 1218 | (Pre)-42-45HB12 | 28 ⁷ / ₁₆ | 722 | 11 ¹³ / ₁₆ | 300 | 16 ¹¹ / ₁₆ | 424 | (Pre)-42-30HB12 | 22 ¹ / ₈ | 562 | 5 ¹⁵ / ₁₆ | 151 | 11 ¹³ / ₁₆ | 300 | | |
| 24 | 610 | 6 152 | (Pre)-06-45HB24 | 24 ³ / ₁₆ | 614 | 10 | 254 | 14 ³ / ₁₆ | 360 | (Pre)-06-30HB24 | 19 ¹ / ₈ | 486 | 5 ¹ / ₈ | 130 | 10 ¹ / ₄ | 260 |
| | | 9 228 | (Pre)-09-45HB24 | 25 ¹ / ₄ | 641 | 10 ¹ / ₂ | 267 | 14 ¹³ / ₁₆ | 376 | (Pre)-09-30HB24 | 19 ⁷ / ₈ | 505 | 5 ⁵ / ₁₆ | 135 | 10 ⁵ / ₈ | 270 |
| | | 12 305 | (Pre)-12-45HB24 | 26 ⁵ / ₁₆ | 668 | 10 ¹⁵ / ₁₆ | 278 | 15 ⁷ / ₁₆ | 392 | (Pre)-12-30HB24 | 20 ⁵ / ₈ | 524 | 5 ¹ / ₂ | 140 | 11 ¹ / ₁₆ | 281 |
| | | 18 457 | (Pre)-18-45HB24 | 28 ⁷ / ₁₆ | 722 | 11 ¹³ / ₁₆ | 300 | 16 ¹¹ / ₁₆ | 424 | (Pre)-18-30HB24 | 22 ¹ / ₈ | 562 | 5 ¹⁵ / ₁₆ | 151 | 11 ¹³ / ₁₆ | 300 |
| | | 24 609 | (Pre)-24-45HB24 | 30 ⁹ / ₁₆ | 766 | 12 ¹¹ / ₁₆ | 322 | 17 ¹⁵ / ₁₆ | 456 | (Pre)-24-30HB24 | 23 ⁵ / ₈ | 600 | 6 ⁵ / ₁₆ | 160 | 12 ⁵ / ₈ | 321 |
| | | 30 762 | (Pre)-30-45HB24 | 32 ¹¹ / ₁₆ | 830 | 13 ⁹ / ₁₆ | 344 | 19 ¹ / ₈ | 486 | (Pre)-30-30HB24 | 25 ¹ / ₈ | 638 | 6 ³ / ₄ | 172 | 13 ⁷ / ₁₆ | 341 |
| | | 36 914 | (Pre)-36-45HB24 | 34 ¹³ / ₁₆ | 884 | 14 ⁷ / ₁₆ | 367 | 20 ³ / ₈ | 518 | (Pre)-36-30HB24 | 26 ⁵ / ₈ | 676 | 7 ¹ / ₈ | 181 | 14 ¹ / ₄ | 362 |
| 42 1218 | (Pre)-42-45HB24 | 36 ¹⁵ / ₁₆ | 938 | 15 ⁵ / ₁₆ | 389 | 21 ⁵ / ₈ | 549 | (Pre)-42-30HB24 | 28 ¹ / ₈ | 715 | 7 ¹ / ₂ | 191 | 15 ¹ / ₁₆ | 383 | | |
| 36 | 915 | 6 152 | (Pre)-06-45HB36 | 32 ¹¹ / ₁₆ | 830 | 13 ⁹ / ₁₆ | 344 | 19 ¹ / ₈ | 486 | (Pre)-06-30HB36 | 25 ¹ / ₈ | 638 | 6 ³ / ₄ | 171 | 13 ⁷ / ₁₆ | 341 |
| | | 9 228 | (Pre)-09-45HB36 | 33 ³ / ₄ | 857 | 14 | 356 | 19 ³ / ₄ | 502 | (Pre)-09-30HB36 | 25 ⁷ / ₈ | 657 | 6 ¹⁵ / ₁₆ | 176 | 13 ⁷ / ₈ | 352 |
| | | 12 305 | (Pre)-12-45HB36 | 34 ¹³ / ₁₆ | 884 | 14 ⁷ / ₁₆ | 367 | 20 ³ / ₈ | 518 | (Pre)-12-30HB36 | 26 ⁵ / ₈ | 676 | 7 ¹ / ₈ | 181 | 14 ¹ / ₄ | 362 |
| | | 18 457 | (Pre)-18-45HB36 | 36 ¹⁵ / ₁₆ | 938 | 15 ⁵ / ₁₆ | 389 | 21 ⁵ / ₈ | 549 | (Pre)-18-30HB36 | 28 ¹ / ₈ | 715 | 7 ¹ / ₂ | 191 | 15 ¹ / ₁₆ | 383 |
| | | 24 609 | (Pre)-24-45HB36 | 39 ¹ / ₈ | 992 | 16 ³ / ₁₆ | 411 | 22 ⁷ / ₈ | 581 | (Pre)-24-30HB36 | 29 ⁵ / ₈ | 753 | 7 ¹⁵ / ₁₆ | 202 | 15 ⁷ / ₈ | 403 |
| | | 30 762 | (Pre)-30-45HB36 | 41 ³ / ₈ | 1046 | 17 ¹ / ₁₆ | 433 | 24 ¹ / ₈ | 613 | (Pre)-30-30HB36 | 31 ¹ / ₈ | 790 | 8 ⁵ / ₁₆ | 211 | 16 ¹¹ / ₁₆ | 424 |
| | | 36 914 | (Pre)-36-45HB36 | 43 ⁵ / ₈ | 1100 | 17 ¹⁵ / ₁₆ | 456 | 25 ³ / ₈ | 645 | (Pre)-36-30HB36 | 32 ⁵ / ₈ | 829 | 8 ³ / ₄ | 222 | 17 ¹ / ₂ | 445 |
| 42 1218 | (Pre)-42-45HB36 | 45 ⁷ / ₁₆ | 1154 | 18 ¹³ / ₁₆ | 478 | 26 ⁵ / ₈ | 676 | (Pre)-42-30HB36 | 34 ¹ / ₈ | 867 | 9 ¹ / ₈ | 232 | 18 ¹ / ₄ | 464 | | |
| 48 | 1220 | 6 152 | (Pre)-06-45HB48 | 41 ³ / ₁₆ | 1046 | 17 ¹ / ₁₆ | 433 | 24 ¹ / ₈ | 613 | (Pre)-06-30HB48 | 31 ¹ / ₈ | 791 | 8 ⁵ / ₁₆ | 211 | 16 ¹¹ / ₁₆ | 424 |
| | | 9 228 | (Pre)-09-45HB48 | 42 ¹ / ₄ | 1073 | 17 ¹ / ₂ | 445 | 24 ³ / ₄ | 629 | (Pre)-09-30HB48 | 31 ⁷ / ₈ | 810 | 8 ⁹ / ₁₆ | 218 | 17 ¹ / ₁₆ | 433 |
| | | 12 305 | (Pre)-12-45HB48 | 43 ⁵ / ₁₆ | 1100 | 17 ¹⁵ / ₁₆ | 456 | 25 ³ / ₈ | 645 | (Pre)-12-30HB48 | 32 ⁵ / ₈ | 829 | 8 ³ / ₄ | 222 | 17 ¹ / ₂ | 445 |
| | | 18 457 | (Pre)-18-45HB48 | 45 ⁷ / ₁₆ | 1154 | 18 ¹³ / ₁₆ | 487 | 26 ⁵ / ₈ | 676 | (Pre)-18-30HB48 | 34 ¹ / ₈ | 867 | 9 ¹ / ₈ | 232 | 18 ¹ / ₄ | 464 |
| | | 24 609 | (Pre)-24-45HB48 | 47 ⁹ / ₁₆ | 1208 | 19 ¹¹ / ₁₆ | 500 | 27 ⁷ / ₈ | 708 | (Pre)-24-30HB48 | 35 ⁵ / ₈ | 905 | 9 ⁹ / ₁₆ | 243 | 19 ¹ / ₁₆ | 484 |
| | | 30 762 | (Pre)-30-45HB48 | 49 ¹¹ / ₁₆ | 1262 | 20 ⁹ / ₁₆ | 522 | 29 ¹ / ₈ | 740 | (Pre)-30-30HB48 | 37 ¹ / ₈ | 943 | 9 ¹⁵ / ₁₆ | 252 | 19 ⁷ / ₈ | 505 |
| | | 36 914 | (Pre)-36-45HB48 | 51 ¹³ / ₁₆ | 1316 | 21 ⁷ / ₁₆ | 545 | 30 ⁵ / ₁₆ | 770 | (Pre)-36-30HB48 | 38 ⁵ / ₈ | 981 | 10 ⁵ / ₁₆ | 262 | 20 ¹¹ / ₁₆ | 525 |
| 42 1218 | (Pre)-42-45HB48 | 54 ¹⁵ / ₁₆ | 1395 | 22 ⁵ / ₁₆ | 567 | 31 ⁹ / ₁₆ | 802 | (Pre)-42-30HB48 | 40 ¹ / ₈ | 1019 | 10 ³ / ₄ | 273 | 21 ¹ / ₂ | 546 | | |

(Pre) See page 288 for catalog number prefix.

All dimensions in parentheses are in millimeters unless otherwise specified.

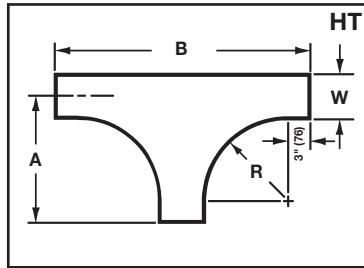
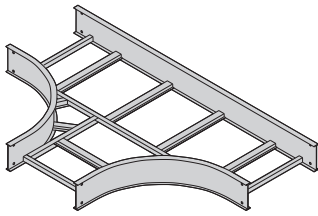
Width dimensions are to inside wall. For aluminum fittings add 1.5 inches for total outside width.

Manufacturing tolerances apply to all dimensions.

Series 2, 3, 4, & 5 - Fittings

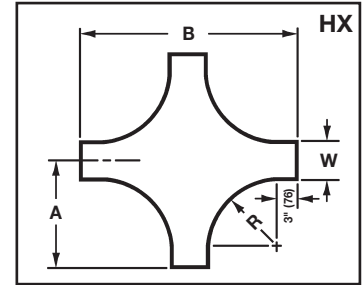
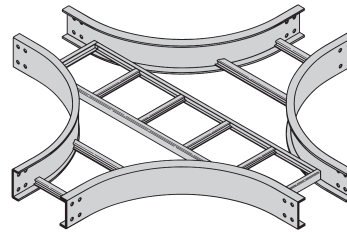
Horizontal Tee (HT)

2 pair splice plates with hardware included.



Horizontal Cross (HX)

3 pair splice plates with hardware included.



| Bend Radius R | Tray Width | | Horizontal Tee | | | | Horizontal Cross | | | | | | |
|------------------|------------|------------------|----------------|------------------|--------|----------------|------------------|------|------------------|--------|------|-----|------|
| | | | Catalog Number | Dimensions | | Catalog Number | Dimensions | | | | | | |
| | | | | A | B | | A | B | | | | | |
| in. | mm | in. | mm | in. | mm | in. | mm | in. | mm | in. | mm | | |
| 12 | 305 | 6 | 152 | (Prefix)-06-HT12 | 18 | 457 | 36 | 914 | (Prefix)-06-HX12 | 18 | 457 | 36 | 914 |
| | | 9 | 229 | (Prefix)-09-HT12 | 19 1/2 | 496 | 39 | 991 | (Prefix)-09-HX12 | 19 1/2 | 496 | 39 | 991 |
| | | 12 | 305 | (Prefix)-12-HT12 | 21 | 533 | 42 | 1067 | (Prefix)-12-HX12 | 21 | 533 | 42 | 1067 |
| | | 18 | 457 | (Prefix)-18-HT12 | 24 | 609 | 48 | 1219 | (Prefix)-18-HX12 | 24 | 609 | 48 | 1219 |
| | | 24 | 609 | (Prefix)-24-HT12 | 27 | 686 | 54 | 1372 | (Prefix)-24-HX12 | 27 | 686 | 54 | 1372 |
| | | 30 | 762 | (Prefix)-30-HT12 | 30 | 762 | 60 | 1524 | (Prefix)-30-HX12 | 30 | 762 | 60 | 1524 |
| | | 36 | 914 | (Prefix)-36-HT12 | 33 | 838 | 66 | 1676 | (Prefix)-36-HX12 | 33 | 838 | 66 | 1676 |
| 24 | 610 | 6 | 152 | (Prefix)-06-HT24 | 30 | 762 | 60 | 1542 | (Prefix)-06-HX24 | 30 | 762 | 60 | 1524 |
| | | 9 | 229 | (Prefix)-09-HT24 | 31 1/2 | 800 | 63 | 1600 | (Prefix)-09-HX24 | 31 1/2 | 800 | 63 | 1600 |
| | | 12 | 305 | (Prefix)-12-HT24 | 33 | 838 | 66 | 1676 | (Prefix)-12-HX24 | 33 | 838 | 66 | 1676 |
| | | 18 | 457 | (Prefix)-18-HT24 | 36 | 914 | 72 | 1828 | (Prefix)-18-HX24 | 36 | 914 | 72 | 1828 |
| | | 24 | 609 | (Prefix)-24-HT24 | 39 | 991 | 78 | 1982 | (Prefix)-24-HX24 | 39 | 991 | 78 | 1982 |
| | | 30 | 762 | (Prefix)-30-HT24 | 42 | 1067 | 84 | 2134 | (Prefix)-30-HX24 | 42 | 1067 | 84 | 2134 |
| | | 36 | 914 | (Prefix)-36-HT24 | 45 | 1143 | 90 | 2286 | (Prefix)-36-HX24 | 45 | 1143 | 90 | 2286 |
| 36 | 915 | 6 | 152 | (Prefix)-06-HT36 | 42 | 1067 | 84 | 2134 | (Prefix)-06-HX36 | 42 | 1067 | 84 | 2134 |
| | | 9 | 229 | (Prefix)-09-HT36 | 43 1/2 | 1105 | 87 | 2210 | (Prefix)-09-HX36 | 43 1/2 | 1105 | 87 | 2210 |
| | | 12 | 305 | (Prefix)-12-HT36 | 45 | 1143 | 90 | 2286 | (Prefix)-12-HX36 | 45 | 1143 | 90 | 2286 |
| | | 18 | 457 | (Prefix)-18-HT36 | 48 | 1219 | 96 | 2438 | (Prefix)-18-HX36 | 48 | 1219 | 96 | 2438 |
| | | 24 | 609 | (Prefix)-24-HT36 | 51 | 1295 | 102 | 2590 | (Prefix)-24-HX36 | 51 | 1295 | 102 | 2590 |
| | | 30 | 762 | (Prefix)-30-HT36 | 54 | 1372 | 108 | 2744 | (Prefix)-30-HX36 | 54 | 1372 | 108 | 2744 |
| | | 36 | 914 | (Prefix)-36-HT36 | 57 | 1488 | 114 | 2896 | (Prefix)-36-HX36 | 57 | 1488 | 114 | 2896 |
| 48 | 1220 | 6 | 152 | (Prefix)-06-HT48 | 54 | 1372 | 108 | 2743 | (Prefix)-06-HX48 | 54 | 1372 | 108 | 2743 |
| | | 9 | 229 | (Prefix)-09-HT48 | 55 1/2 | 1410 | 111 | 2820 | (Prefix)-09-HX48 | 55 1/2 | 1410 | 111 | 2820 |
| | | 12 | 305 | (Prefix)-12-HT48 | 57 | 1448 | 114 | 2896 | (Prefix)-12-HX48 | 57 | 1448 | 114 | 2896 |
| | | 18 | 457 | (Prefix)-18-HT48 | 60 | 1524 | 120 | 3048 | (Prefix)-18-HX48 | 60 | 1524 | 120 | 3048 |
| | | 24 | 609 | (Prefix)-24-HT48 | 63 | 1600 | 126 | 3200 | (Prefix)-24-HX48 | 63 | 1600 | 126 | 3200 |
| | | 30 | 762 | (Prefix)-30-HT48 | 66 | 1676 | 132 | 3353 | (Prefix)-30-HX48 | 66 | 1676 | 132 | 3353 |
| | | 36 | 914 | (Prefix)-36-HT48 | 69 | 1753 | 138 | 3505 | (Prefix)-36-HX48 | 69 | 1753 | 138 | 3505 |
| 42 | 1067 | (Prefix)-42-HT48 | 72 | 1829 | 144 | 3658 | (Prefix)-42-HX48 | 72 | 1829 | 144 | 3658 | | |

(Prefix) See page 288 for catalog number prefix.

All dimensions in parentheses are millimeters unless otherwise specified.

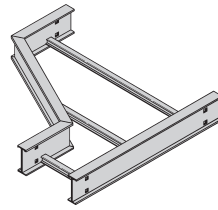
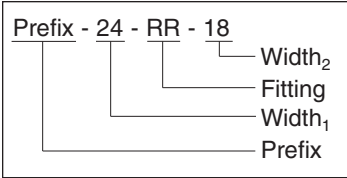
Width dimensions are to inside wall. For aluminum fittings add 1.5 inches for total outside width. Manufacturing tolerances apply to all dimensions.

Series 2, 3, 4, & 5 - Fittings

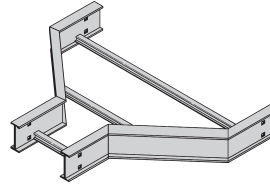
Reducers (LR, SR, RR)

1 pair splice plates with hardware included.

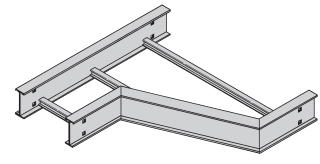
Reducer Part Numbering



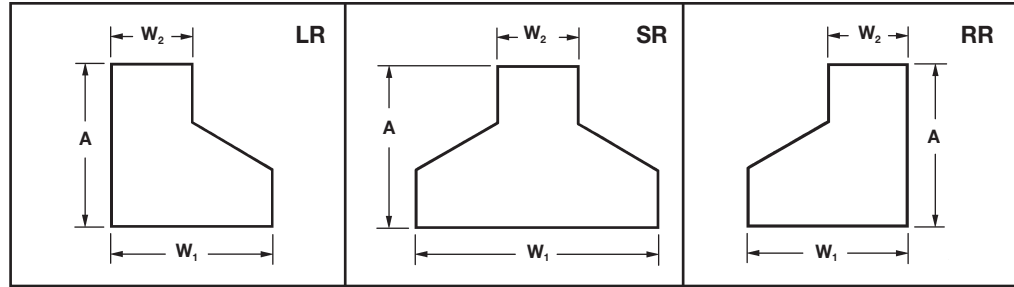
Left Reducer



Straight Reducer



Right Reducer



| Tray Width | | | | Left Hand Reducer | | | | Straight Reducer | | | | Right Hand Reducer | | | |
|----------------|------|----------------|-----|-------------------|----------------------------------|-----|------------------|----------------------------------|-----|------------------|----------------------------------|--------------------|----|-----|----|
| W ₁ | | W ₂ | | Catalog No. | | A | | Catalog No. | | A | | Catalog No. | | A | |
| in. | mm | in. | mm | | | in. | mm | in. | mm | | | in. | mm | in. | mm |
| 9 | 228 | 6 | 152 | (Prefix)-09-LR06 | 9 ³ / ₄ | 248 | (Prefix)-09-SR06 | 8 ⁷ / ₈ | 225 | (Prefix)-09-RR06 | 9 ³ / ₄ | 248 | | | |
| 12 | 305 | 6 | 152 | (Prefix)-12-LR06 | 11 ¹ / ₂ | 292 | (Prefix)-12-SR06 | 9 ³ / ₄ | 248 | (Prefix)-12-RR06 | 11 ¹ / ₂ | 292 | | | |
| | | 9 | 228 | (Prefix)-12-LR09 | 9 ³ / ₄ | 248 | (Prefix)-12-SR09 | 8 ⁷ / ₈ | 225 | (Prefix)-12-RR09 | 9 ³ / ₄ | 248 | | | |
| 18 | 457 | 6 | 152 | (Prefix)-18-LR06 | 14 ¹⁵ / ₁₆ | 379 | (Prefix)-18-SR06 | 11 ¹ / ₂ | 292 | (Prefix)-18-RR06 | 14 ¹⁵ / ₁₆ | 379 | | | |
| | | 9 | 228 | (Prefix)-18-LR09 | 13 ³ / ₁₆ | 340 | (Prefix)-18-SR09 | 10 ⁵ / ₈ | 270 | (Prefix)-18-RR09 | 13 ³ / ₁₆ | 340 | | | |
| | | 12 | 305 | (Prefix)-18-LR12 | 11 ¹ / ₂ | 292 | (Prefix)-18-SR12 | 9 ³ / ₄ | 248 | (Prefix)-18-RR12 | 11 ¹ / ₂ | 292 | | | |
| 24 | 609 | 6 | 152 | (Prefix)-24-LR06 | 18 ³ / ₈ | 467 | (Prefix)-24-SR06 | 13 ³ / ₁₆ | 340 | (Prefix)-24-RR06 | 18 ³ / ₈ | 467 | | | |
| | | 9 | 228 | (Prefix)-24-LR09 | 16 ¹¹ / ₁₆ | 424 | (Prefix)-24-SR09 | 12 ³ / ₈ | 314 | (Prefix)-24-RR09 | 16 ¹¹ / ₁₆ | 424 | | | |
| | | 12 | 305 | (Prefix)-24-LR12 | 14 ¹⁵ / ₁₆ | 379 | (Prefix)-24-SR12 | 11 ¹ / ₂ | 292 | (Prefix)-24-RR12 | 14 ¹⁵ / ₁₆ | 379 | | | |
| | | 18 | 457 | (Prefix)-24-LR18 | 11 ¹ / ₂ | 292 | (Prefix)-24-SR18 | 9 ³ / ₄ | 248 | (Prefix)-24-RR18 | 11 ¹ / ₂ | 292 | | | |
| 30 | 762 | 6 | 152 | (Prefix)-30-LR06 | 21 ⁷ / ₈ | 555 | (Prefix)-30-SR06 | 14 ¹⁵ / ₁₆ | 380 | (Prefix)-30-RR06 | 21 ⁷ / ₈ | 555 | | | |
| | | 9 | 228 | (Prefix)-30-LR09 | 20 ¹ / ₈ | 511 | (Prefix)-30-SR09 | 14 ¹ / ₁₆ | 358 | (Prefix)-30-RR09 | 20 ¹ / ₈ | 511 | | | |
| | | 12 | 305 | (Prefix)-30-LR12 | 18 ³ / ₈ | 462 | (Prefix)-30-SR12 | 13 ³ / ₁₆ | 335 | (Prefix)-30-RR12 | 18 ³ / ₈ | 462 | | | |
| | | 18 | 459 | (Prefix)-30-LR18 | 14 ¹⁵ / ₁₆ | 380 | (Prefix)-30-SR18 | 11 ¹ / ₂ | 292 | (Prefix)-30-RR18 | 14 ¹⁵ / ₁₆ | 380 | | | |
| | | 24 | 609 | (Prefix)-30-LR24 | 11 ¹ / ₂ | 292 | (Prefix)-30-SR24 | 9 ³ / ₄ | 248 | (Prefix)-30-RR24 | 11 ¹ / ₂ | 292 | | | |
| 36 | 914 | 6 | 152 | (Prefix)-36-LR06 | 25 ⁵ / ₁₆ | 643 | (Prefix)-36-SR06 | 16 ¹¹ / ₁₆ | 424 | (Prefix)-36-RR06 | 23 ⁵ / ₁₆ | 643 | | | |
| | | 9 | 228 | (Prefix)-36-LR09 | 23 ⁹ / ₁₆ | 598 | (Prefix)-36-SR09 | 15 ¹³ / ₁₆ | 402 | (Prefix)-36-RR09 | 23 ⁹ / ₁₆ | 598 | | | |
| | | 12 | 305 | (Prefix)-36-LR12 | 21 ⁷ / ₈ | 555 | (Prefix)-36-SR12 | 14 ¹⁵ / ₁₆ | 380 | (Prefix)-36-RR12 | 21 ⁷ / ₈ | 555 | | | |
| | | 18 | 457 | (Prefix)-36-LR18 | 18 ³ / ₈ | 462 | (Prefix)-36-SR18 | 13 ³ / ₁₆ | 335 | (Prefix)-36-RR18 | 18 ³ / ₈ | 462 | | | |
| | | 24 | 609 | (Prefix)-36-LR24 | 14 ¹⁵ / ₁₆ | 380 | (Prefix)-36-SR24 | 11 ¹ / ₂ | 292 | (Prefix)-36-RR24 | 14 ¹⁵ / ₁₆ | 380 | | | |
| | | 30 | 762 | (Prefix)-36-LR30 | 11 ¹ / ₂ | 292 | (Prefix)-36-SR30 | 9 ³ / ₄ | 248 | (Prefix)-36-RR30 | 11 ¹ / ₂ | 292 | | | |
| 42 | 1067 | 6 | 152 | (Prefix)-42-LR06 | 28 ³ / ₄ | 730 | (Prefix)-42-SR06 | 18 ³ / ₈ | 467 | (Prefix)-42-RR06 | 28 ³ / ₄ | 732 | | | |
| | | 9 | 228 | (Prefix)-42-LR09 | 27 ¹ / ₁₆ | 687 | (Prefix)-42-SR09 | 17 ¹ / ₂ | 445 | (Prefix)-42-RR09 | 27 ¹ / ₁₆ | 687 | | | |
| | | 12 | 305 | (Prefix)-42-LR12 | 25 ⁵ / ₁₆ | 643 | (Prefix)-42-SR12 | 16 ¹¹ / ₁₆ | 424 | (Prefix)-42-RR12 | 25 ⁵ / ₁₆ | 643 | | | |
| | | 18 | 457 | (Prefix)-42-LR18 | 21 ⁷ / ₈ | 556 | (Prefix)-42-SR18 | 14 ¹⁵ / ₁₆ | 379 | (Prefix)-42-RR18 | 21 ⁷ / ₈ | 556 | | | |
| | | 24 | 609 | (Prefix)-42-LR24 | 18 ³ / ₈ | 467 | (Prefix)-42-SR24 | 13 ³ / ₁₆ | 335 | (Prefix)-42-RR24 | 18 ³ / ₈ | 467 | | | |
| | | 30 | 762 | (Prefix)-42-LR30 | 14 ¹⁵ / ₁₆ | 379 | (Prefix)-42-SR30 | 11 ¹ / ₂ | 292 | (Prefix)-42-RR30 | 14 ¹⁵ / ₁₆ | 379 | | | |
| | | 36 | 914 | (Prefix)-42-LR36 | 11 ¹ / ₂ | 292 | (Prefix)-42-SR36 | 9 ³ / ₄ | 249 | (Prefix)-42-RR36 | 11 ¹ / ₂ | 292 | | | |

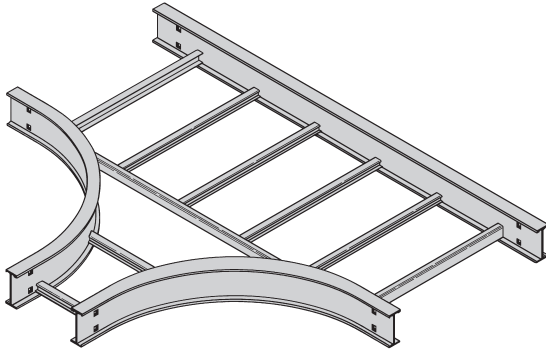
(Prefix) See page 288 for catalog number prefix.

All dimensions in parentheses are millimeters unless otherwise specified.

Width dimensions are to inside wall. For aluminum fittings add 1.5 inches for total outside width. Manufacturing tolerances apply to all dimensions.

Horizontal Reducing Tee (HT)

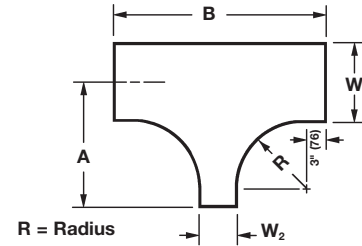
2 pair splice plates with hardware included.



Prefix - 36 - 18 HT 24

Radius
Fitting
Width W₂
Width W₁

To complete catalog number, insert fitting prefix.



HT

Series 2, 3, 4, & 5 Fittings

| Tray Width | | | | * Insert Radius (12", 24", 36", or 48") Catalog No. | 12" Radius | | | | 24" Radius | | | | 36" Radius | | | | 48" Radius | | | |
|----------------|------|--------------------|-----|---|--------------------------------|------|----|------|--------------------------------|------|----|------|------------|------|-----|------|--------------------------------|------|-----|------|
| W ₁ | | W ₂ | | | A | | B | | A | | B | | A | | B | | A | | B | |
| in. | mm | in. | mm | in. | mm | in. | mm | in. | mm | in. | mm | in. | mm | in. | mm | in. | mm | in. | mm | |
| 9 | 228 | 6 | 152 | (Prefix)-09-06-HT* | 19 ¹ / ₂ | 496 | 36 | 914 | 31 ¹ / ₂ | 800 | 60 | 1524 | 43 | 1092 | 84 | 2134 | 55 ¹ / ₂ | 1410 | 108 | 2743 |
| 12 | 305 | 6 | 152 | (Prefix)-12-06-HT* | 21 | 533 | 36 | 914 | 33 | 838 | 60 | 1524 | 45 | 1143 | 84 | 2134 | 57 | 1448 | 108 | 2743 |
| | | 9 | 228 | (Prefix)-12-09-HT* | 21 | 533 | 39 | 991 | 33 | 838 | 63 | 1600 | 45 | 1143 | 87 | 2210 | 57 | 1448 | 111 | 2819 |
| 18 | 475 | 6 | 152 | (Prefix)-18-06-HT* | 24 | 609 | 36 | 914 | 36 | 914 | 60 | 1524 | 48 | 1219 | 84 | 2134 | 60 | 1524 | 108 | 2743 |
| | | 9 | 228 | (Prefix)-18-09-HT* | 24 | 609 | 39 | 991 | 36 | 914 | 63 | 1600 | 48 | 1219 | 87 | 2210 | 60 | 1524 | 111 | 2819 |
| | | 12 | 305 | (Prefix)-18-12-HT* | 24 | 609 | 42 | 1067 | 36 | 914 | 66 | 1676 | 48 | 1219 | 90 | 2286 | 60 | 1524 | 114 | 2496 |
| 24 | 609 | 6 | 152 | (Prefix)-24-06-HT* | 27 | 686 | 36 | 914 | 39 | 991 | 60 | 1524 | 51 | 1295 | 84 | 2134 | 63 | 1600 | 108 | 2743 |
| | | 9 | 228 | (Prefix)-24-09-HT* | 27 | 686 | 39 | 991 | 39 | 991 | 63 | 1600 | 51 | 1295 | 87 | 2210 | 63 | 1600 | 111 | 2819 |
| | | 12 | 305 | (Prefix)-24-12-HT* | 27 | 686 | 42 | 1067 | 39 | 991 | 66 | 1676 | 51 | 1295 | 90 | 2286 | 63 | 1600 | 114 | 2496 |
| 30 | 762 | 18 | 457 | (Prefix)-24-18-HT* | 27 | 686 | 48 | 1219 | 39 | 991 | 72 | 1829 | 51 | 1295 | 96 | 2438 | 63 | 1600 | 120 | 3048 |
| | | 6 | 152 | (Prefix)-30-06-HT* | 30 | 762 | 36 | 914 | 42 | 1067 | 60 | 1524 | 54 | 1372 | 84 | 2134 | 66 | 1676 | 108 | 2743 |
| | | 9 | 228 | (Prefix)-30-09-HT* | 30 | 762 | 39 | 991 | 42 | 1067 | 63 | 1600 | 54 | 1372 | 87 | 2210 | 66 | 1676 | 111 | 2819 |
| | | 12 | 305 | (Prefix)-30-12-HT* | 30 | 762 | 42 | 1067 | 42 | 1067 | 66 | 1676 | 54 | 1372 | 90 | 2286 | 66 | 1676 | 114 | 2496 |
| 36 | 914 | 18 | 457 | (Prefix)-30-18-HT* | 30 | 762 | 48 | 1219 | 42 | 1067 | 72 | 1829 | 54 | 1372 | 96 | 2438 | 66 | 1676 | 120 | 3048 |
| | | 24 | 609 | (Prefix)-30-24-HT* | 30 | 762 | 54 | 1372 | 42 | 1067 | 78 | 1981 | 54 | 1372 | 102 | 2591 | 66 | 1676 | 126 | 3200 |
| | | 6 | 152 | (Prefix)-36-06-HT* | 33 | 838 | 36 | 914 | 45 | 1143 | 60 | 1524 | 57 | 1448 | 84 | 2134 | 69 | 1753 | 108 | 2743 |
| | | 9 | 228 | (Prefix)-36-09-HT* | 33 | 838 | 39 | 991 | 45 | 1143 | 63 | 1600 | 57 | 1448 | 87 | 2210 | 69 | 1753 | 111 | 2819 |
| | | 12 | 305 | (Prefix)-36-12-HT* | 33 | 838 | 42 | 1067 | 45 | 1143 | 66 | 1676 | 57 | 1448 | 90 | 2286 | 69 | 1753 | 114 | 2496 |
| 42 | 1067 | 18 | 457 | (Prefix)-36-18-HT* | 33 | 838 | 48 | 1219 | 45 | 1143 | 72 | 1829 | 57 | 1448 | 96 | 2438 | 69 | 1753 | 120 | 3048 |
| | | 24 | 609 | (Prefix)-36-24-HT* | 33 | 838 | 54 | 1372 | 45 | 1143 | 78 | 1981 | 57 | 1448 | 102 | 2591 | 69 | 1753 | 126 | 3200 |
| | | 30 | 762 | (Prefix)-36-30-HT* | 33 | 838 | 60 | 1524 | 45 | 1143 | 84 | 2134 | 57 | 1448 | 108 | 2743 | 69 | 1753 | 132 | 3353 |
| | | 6 | 152 | (Prefix)-42-06-HT* | 36 | 914 | 36 | 914 | 48 | 1219 | 60 | 1524 | 60 | 1524 | 84 | 2134 | 72 | 1829 | 108 | 2743 |
| | | 9 | 228 | (Prefix)-42-09-HT* | 36 | 914 | 39 | 991 | 48 | 1219 | 63 | 1600 | 60 | 1524 | 87 | 2210 | 72 | 1829 | 111 | 2819 |
| | | 12 | 305 | (Prefix)-42-12-HT* | 36 | 914 | 42 | 1067 | 48 | 1219 | 66 | 1676 | 60 | 1524 | 90 | 2286 | 72 | 1829 | 114 | 2496 |
| | | 18 | 457 | (Prefix)-42-18-HT* | 36 | 914 | 48 | 1219 | 48 | 1219 | 72 | 1829 | 60 | 1524 | 96 | 2438 | 72 | 1829 | 120 | 3048 |
| 24 | 609 | (Prefix)-42-24-HT* | 36 | 914 | 54 | 1372 | 48 | 1219 | 78 | 1981 | 60 | 1524 | 102 | 2591 | 72 | 1829 | 126 | 3200 | | |
| 30 | 762 | (Prefix)-42-30-HT* | 36 | 914 | 60 | 1524 | 48 | 1219 | 84 | 2134 | 60 | 1524 | 108 | 2743 | 72 | 1829 | 132 | 3353 | | |
| 36 | 914 | (Prefix)-42-36-HT* | 36 | 914 | 66 | 1676 | 48 | 1219 | 90 | 2286 | 60 | 1524 | 114 | 2895 | 72 | 1829 | 138 | 3505 | | |

(Prefix) See page 288 for catalog number prefix.

All dimensions in parentheses are millimeters unless otherwise specified.

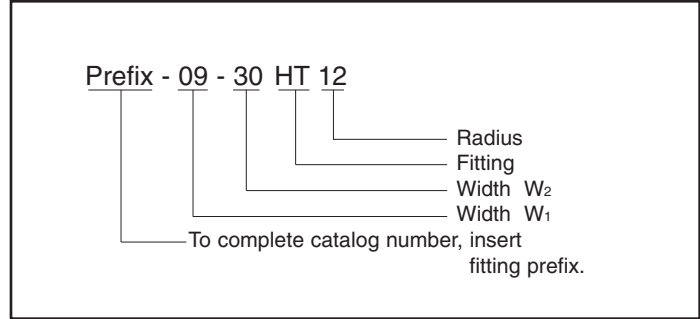
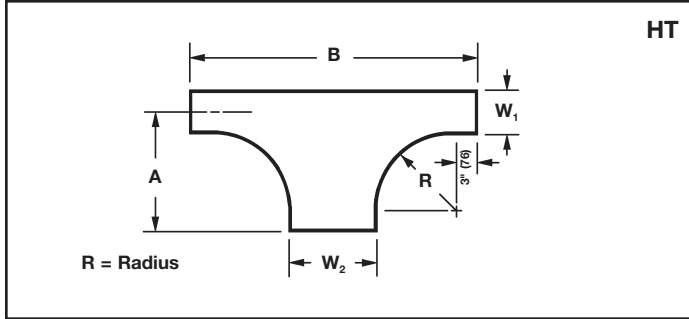
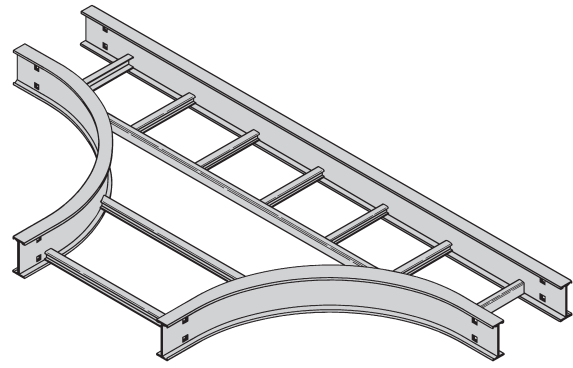
Width dimensions are to inside wall. For aluminum fittings add 1.5 inches for total outside width.

Manufacturing tolerances apply to all dimensions.

Series 2, 3, 4, & 5 - Fittings

Horizontal Expanding Tee (HT)

2 pair splice plates with hardware included.



| Tray Width | | | | *Insert Radius (12", 24", 36", or 48") Catalog No. | 12" Radius | | | | 24" Radius | | | | 36" Radius | | | | 48" Radius | | | |
|----------------|-----|----------------|------|--|------------|-----|----|------|------------|------|----|------|------------|------|-----|------|------------|------|-----|------|
| W ₁ | | W ₂ | | | A | | B | | A | | B | | A | | B | | A | | B | |
| in. | mm | in. | mm | in. | mm | in. | mm | in. | mm | in. | mm | in. | mm | in. | mm | in. | mm | in. | mm | |
| 6 | 152 | 9 | 228 | (Prefix)-06-09-HT* | 18 | 457 | 39 | 991 | 30 | 762 | 63 | 1600 | 42 | 1067 | 87 | 2210 | 54 | 1372 | 111 | 2819 |
| | | 12 | 305 | (Prefix)-06-12-HT* | 18 | 457 | 42 | 1067 | 30 | 762 | 66 | 1676 | 42 | 1067 | 90 | 2286 | 54 | 1372 | 114 | 2496 |
| | | 18 | 457 | (Prefix)-06-18-HT* | 18 | 457 | 48 | 1219 | 30 | 762 | 72 | 1829 | 42 | 1067 | 96 | 2438 | 54 | 1372 | 120 | 3048 |
| | | 24 | 609 | (Prefix)-06-24-HT* | 18 | 457 | 54 | 1372 | 30 | 762 | 78 | 1981 | 42 | 1067 | 102 | 2591 | 54 | 1372 | 126 | 3200 |
| | | 30 | 762 | (Prefix)-06-30-HT* | 18 | 457 | 60 | 1524 | 30 | 762 | 84 | 2134 | 42 | 1067 | 108 | 2743 | 54 | 1372 | 132 | 3353 |
| | | 36 | 914 | (Prefix)-06-36-HT* | 18 | 457 | 66 | 1676 | 30 | 762 | 90 | 2286 | 42 | 1067 | 114 | 2895 | 54 | 1372 | 138 | 3503 |
| | | 42 | 1067 | (Prefix)-06-42-HT* | 18 | 457 | 72 | 1829 | 30 | 762 | 96 | 2438 | 42 | 1067 | 120 | 3048 | 54 | 1372 | 144 | 3658 |
| 9 | 228 | 12 | 305 | (Prefix)-09-12-HT* | 19 1/2 | 496 | 42 | 1067 | 31 1/2 | 800 | 66 | 1676 | 43 1/2 | 1105 | 90 | 2286 | 55 1/2 | 1410 | 114 | 2496 |
| | | 18 | 457 | (Prefix)-09-18-HT* | 19 1/2 | 496 | 48 | 1219 | 31 1/2 | 800 | 72 | 1829 | 43 1/2 | 1105 | 96 | 2438 | 55 1/2 | 1410 | 120 | 3048 |
| | | 24 | 609 | (Prefix)-09-24-HT* | 19 1/2 | 496 | 54 | 1372 | 31 1/2 | 800 | 78 | 1981 | 43 1/2 | 1105 | 102 | 2591 | 55 1/2 | 1410 | 126 | 3200 |
| | | 30 | 762 | (Prefix)-09-30-HT* | 19 1/2 | 496 | 60 | 1524 | 31 1/2 | 800 | 84 | 2134 | 43 1/2 | 1105 | 108 | 2743 | 55 1/2 | 1410 | 132 | 3353 |
| | | 36 | 914 | (Prefix)-09-36-HT* | 19 1/2 | 496 | 66 | 1676 | 31 1/2 | 800 | 90 | 2286 | 43 1/2 | 1105 | 114 | 2895 | 55 1/2 | 1410 | 138 | 3503 |
| | | 42 | 1067 | (Prefix)-09-42-HT* | 19 1/2 | 496 | 72 | 1829 | 31 1/2 | 800 | 96 | 2438 | 43 1/2 | 1105 | 120 | 3048 | 55 1/2 | 1410 | 144 | 3658 |
| 12 | 305 | 18 | 457 | (Prefix)-12-18-HT* | 21 | 533 | 48 | 1219 | 33 | 838 | 72 | 1829 | 45 | 1143 | 96 | 2438 | 57 | 1448 | 120 | 3048 |
| | | 24 | 609 | (Prefix)-12-24-HT* | 21 | 533 | 54 | 1372 | 33 | 838 | 78 | 1981 | 45 | 1143 | 102 | 2591 | 57 | 1448 | 126 | 3200 |
| | | 30 | 762 | (Prefix)-12-30-HT* | 21 | 533 | 60 | 1524 | 33 | 838 | 84 | 2134 | 45 | 1143 | 108 | 2743 | 57 | 1448 | 132 | 3353 |
| | | 36 | 914 | (Prefix)-12-36-HT* | 21 | 533 | 66 | 1676 | 33 | 838 | 90 | 2286 | 45 | 1143 | 114 | 2895 | 57 | 1448 | 138 | 3503 |
| | | 42 | 1067 | (Prefix)-12-42-HT* | 21 | 533 | 72 | 1829 | 33 | 838 | 96 | 2438 | 45 | 1143 | 120 | 3048 | 57 | 1448 | 144 | 3658 |
| 18 | 457 | 24 | 609 | (Prefix)-18-24-HT* | 24 | 609 | 54 | 1372 | 36 | 914 | 78 | 1981 | 48 | 1219 | 102 | 2591 | 60 | 1524 | 126 | 3200 |
| | | 30 | 762 | (Prefix)-18-30-HT* | 24 | 609 | 60 | 1524 | 36 | 914 | 84 | 2134 | 48 | 1219 | 108 | 2743 | 60 | 1524 | 132 | 3353 |
| | | 36 | 914 | (Prefix)-18-36-HT* | 24 | 609 | 66 | 1676 | 36 | 914 | 90 | 2286 | 48 | 1219 | 114 | 2895 | 60 | 1524 | 138 | 3503 |
| | | 42 | 1067 | (Prefix)-18-42-HT* | 24 | 609 | 72 | 1829 | 36 | 914 | 96 | 2438 | 48 | 1219 | 120 | 3048 | 60 | 1524 | 144 | 3658 |
| 24 | 609 | 30 | 762 | (Prefix)-24-30-HT* | 27 | 686 | 60 | 1524 | 39 | 991 | 84 | 2134 | 51 | 1295 | 108 | 2743 | 63 | 1600 | 132 | 3353 |
| | | 36 | 914 | (Prefix)-24-36-HT* | 27 | 686 | 66 | 1676 | 39 | 991 | 90 | 2286 | 51 | 1295 | 114 | 2895 | 63 | 1600 | 138 | 3503 |
| | | 42 | 1067 | (Prefix)-24-42-HT* | 27 | 686 | 72 | 1829 | 39 | 991 | 96 | 2438 | 51 | 1295 | 120 | 3048 | 63 | 1600 | 144 | 3658 |
| 30 | 762 | 36 | 914 | (Prefix)-30-36-HT* | 30 | 762 | 66 | 1676 | 42 | 1067 | 90 | 2286 | 54 | 1372 | 114 | 2895 | 66 | 1676 | 138 | 3503 |
| | | 42 | 1067 | (Prefix)-30-42-HT* | 30 | 762 | 72 | 1829 | 42 | 1067 | 96 | 2438 | 54 | 1372 | 120 | 3048 | 66 | 1676 | 144 | 3658 |
| 36 | 914 | 42 | 1067 | (Prefix)-36-42-HT* | 33 | 838 | 72 | 1829 | 45 | 1143 | 96 | 2438 | 57 | 1448 | 120 | 3048 | 69 | 1753 | 144 | 3658 |

(Prefix) See page 288 for catalog number prefix.

All dimensions in parentheses are millimeters unless otherwise specified.

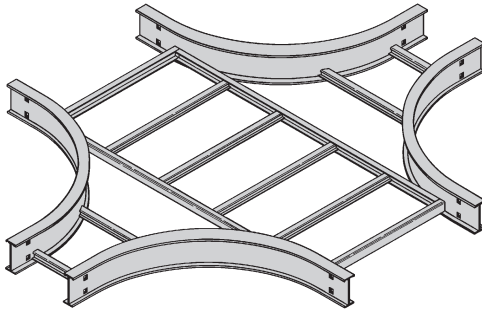
Width dimensions are to inside wall. For aluminum fittings add 1.5 inches for total outside width.

Manufacturing tolerances apply to all dimensions.

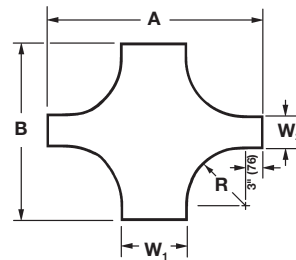
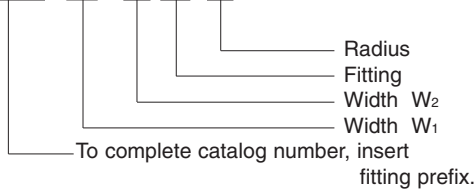
Series 2, 3, 4, & 5 - Fittings

Horizontal Expanding/Reducing Cross (HX)

3 pair splice plates with hardware included.



Prefix - 36 - 18 HX 24



HX

Series 2, 3, 4, & 5 Fittings

| Tray Width | | | | * Insert Radius (12", 24", 36", or 48") Catalog No. | 12" Radius | | 24" Radius | | 36" Radius | | 48" Radius | | | | | | | | | |
|------------|----------|--------------------|-----|---|------------|---------|------------|---------|------------|---------|------------|---------|-----|------|-----|------|-----|------|-----|------|
| W1 in. | W2 mm | in. | mm | | A in. | B mm | A in. | B mm | A in. | B mm | A in. | B mm | | | | | | | | |
| 9 | 228 | 6 | 152 | (Prefix)-09-06-HX* | 39 | 991 | 36 | 914 | 63 | 1600 | 60 | 1372 | 87 | 2210 | 84 | 2134 | 111 | 2819 | 108 | 2743 |
| 12 | 305 | 6 | 152 | (Prefix)-12-06-HX* | 42 | 1067 | 36 | 914 | 66 | 1676 | 60 | 1372 | 90 | 2286 | 84 | 2134 | 114 | 2896 | 108 | 2743 |
| | | 9 | 228 | (Prefix)-12-09-HX* | 42 | 1067 | 39 | 991 | 66 | 1676 | 63 | 1600 | 90 | 2286 | 87 | 2210 | 114 | 2896 | 111 | 2819 |
| 18 | 457 | 6 | 152 | (Prefix)-18-06-HX* | 48 | 1219 | 36 | 914 | 72 | 1829 | 60 | 1372 | 96 | 2438 | 84 | 2134 | 120 | 3048 | 108 | 2743 |
| | | 9 | 228 | (Prefix)-18-09-HX* | 48 | 1219 | 39 | 991 | 72 | 1829 | 63 | 1600 | 96 | 2438 | 87 | 2210 | 120 | 3048 | 111 | 2819 |
| 24 | 609 | 12 | 305 | (Prefix)-18-12-HX* | 48 | 1219 | 42 | 1067 | 72 | 1829 | 66 | 1676 | 96 | 2438 | 90 | 2286 | 120 | 3048 | 114 | 2896 |
| | | 6 | 152 | (Prefix)-24-06-HX* | 54 | 1372 | 36 | 914 | 78 | 1981 | 60 | 1372 | 102 | 2591 | 84 | 2134 | 126 | 3200 | 108 | 2743 |
| | | 9 | 228 | (Prefix)-24-09-HX* | 54 | 1372 | 39 | 991 | 78 | 1981 | 63 | 1600 | 102 | 2591 | 87 | 2210 | 126 | 3200 | 111 | 2819 |
| 30 | 762 | 12 | 305 | (Prefix)-24-12-HX* | 54 | 1372 | 42 | 1067 | 78 | 1981 | 66 | 1676 | 102 | 2591 | 90 | 2286 | 126 | 3200 | 114 | 2896 |
| | | 18 | 457 | (Prefix)-24-18-HX* | 54 | 1372 | 48 | 1219 | 78 | 1981 | 72 | 1829 | 102 | 2591 | 96 | 2438 | 126 | 3200 | 120 | 3048 |
| | | 6 | 152 | (Prefix)-30-06-HX* | 60 | 1524 | 36 | 914 | 84 | 2134 | 60 | 1372 | 108 | 2743 | 84 | 2134 | 132 | 3353 | 108 | 2743 |
| | | 9 | 228 | (Prefix)-30-09-HX* | 60 | 1524 | 39 | 991 | 84 | 2134 | 63 | 1600 | 108 | 2743 | 87 | 2210 | 132 | 3353 | 111 | 2819 |
| 36 | 914 | 12 | 305 | (Prefix)-30-12-HX* | 60 | 1524 | 42 | 1067 | 84 | 2134 | 66 | 1676 | 108 | 2743 | 90 | 2286 | 132 | 3353 | 114 | 2896 |
| | | 18 | 457 | (Prefix)-30-18-HX* | 60 | 1524 | 48 | 1219 | 84 | 2134 | 72 | 1829 | 108 | 2743 | 96 | 2438 | 132 | 3353 | 120 | 3048 |
| | | 24 | 609 | (Prefix)-30-24-HX* | 60 | 1524 | 54 | 1372 | 84 | 2134 | 78 | 1981 | 108 | 2743 | 102 | 2591 | 132 | 3353 | 126 | 3200 |
| | | 6 | 152 | (Prefix)-36-06-HX* | 66 | 1676 | 36 | 914 | 90 | 2286 | 60 | 1372 | 114 | 2896 | 84 | 2134 | 138 | 3505 | 108 | 2743 |
| | | 9 | 228 | (Prefix)-36-09-HX* | 66 | 1676 | 39 | 991 | 90 | 2286 | 63 | 1600 | 114 | 2896 | 87 | 2210 | 138 | 3505 | 111 | 2819 |
| 42 | 1067 | 12 | 305 | (Prefix)-36-12-HX* | 66 | 1676 | 42 | 1067 | 90 | 2286 | 66 | 1676 | 114 | 2896 | 90 | 2286 | 138 | 3505 | 114 | 2896 |
| | | 18 | 457 | (Prefix)-36-18-HX* | 66 | 1676 | 48 | 1219 | 90 | 2286 | 72 | 1829 | 114 | 2896 | 96 | 2438 | 138 | 3505 | 120 | 3048 |
| | | 24 | 609 | (Prefix)-36-24-HX* | 66 | 1676 | 54 | 1372 | 90 | 2286 | 78 | 1981 | 114 | 2896 | 102 | 2591 | 138 | 3505 | 126 | 3200 |
| | | 30 | 762 | (Prefix)-36-30-HX* | 66 | 1676 | 60 | 1524 | 90 | 2286 | 84 | 2134 | 114 | 2896 | 108 | 2743 | 138 | 3505 | 132 | 3353 |
| | | 6 | 152 | (Prefix)-42-06-HX* | 72 | 1829 | 36 | 914 | 96 | 2438 | 60 | 1372 | 120 | 3048 | 84 | 2134 | 144 | 3658 | 108 | 2743 |
| | | 9 | 228 | (Prefix)-42-09-HX* | 72 | 1829 | 39 | 991 | 96 | 2438 | 63 | 1600 | 120 | 3048 | 87 | 2210 | 144 | 3658 | 111 | 2819 |
| | | 12 | 305 | (Prefix)-42-12-HX* | 72 | 1829 | 42 | 1067 | 96 | 2438 | 66 | 1676 | 120 | 3048 | 90 | 2286 | 144 | 3658 | 114 | 2896 |
| 18 | 457 | (Prefix)-42-18-HX* | 72 | 1829 | 48 | 1219 | 96 | 2438 | 72 | 1829 | 120 | 3048 | 96 | 2438 | 144 | 3658 | 120 | 3048 | | |
| 48 | 1219 | 24 | 609 | (Prefix)-42-24-HX* | 72 | 1829 | 54 | 1372 | 96 | 2438 | 78 | 1981 | 120 | 3048 | 102 | 2591 | 144 | 3658 | 126 | 3200 |
| | | 30 | 762 | (Prefix)-42-30-HX* | 72 | 1829 | 60 | 1524 | 96 | 2438 | 84 | 2134 | 120 | 3048 | 108 | 2743 | 144 | 3658 | 132 | 3353 |
| | | 36 | 914 | (Prefix)-42-36-HX* | 72 | 1829 | 66 | 1676 | 96 | 2438 | 90 | 2286 | 120 | 3048 | 114 | 2896 | 144 | 3658 | 138 | 3505 |

(Prefix) See page 288 for catalog number prefix.

All dimensions in parentheses are millimeters unless otherwise specified.

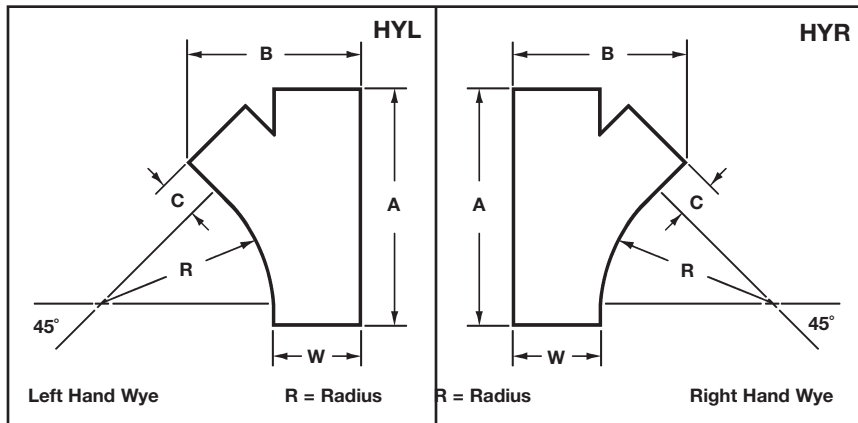
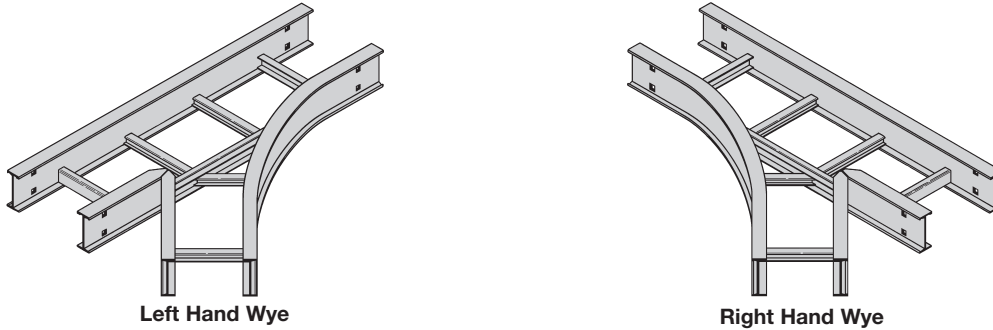
Width dimensions are to inside wall. For aluminum fittings add 1.5 inches for total outside width.

Manufacturing tolerances apply to all dimensions.

Series 2, 3, 4, & 5 - Fittings

Horizontal Wye (HYL, HYR)

2 pair splice plates with hardware included.



| Bend Radius | Tray Width | | Left Hand Wye Catalog No. | Right Hand Wye Catalog No. | A | | B | | C | | |
|-------------|------------|-----------------|---------------------------|--------------------------------|-----------------|----------------------------------|------|----------------------------------|------|---------------------------------|-----|
| | in. | mm | | | in. | mm | in. | mm | in. | mm | |
| 24 | 609 | 6 | 152 | (Prefix)-06-HYL | (Prefix)-06-HYR | 28 ⁷ / ₁₆ | 722 | 15 ³ / ₁₆ | 386 | 3 ¹ / ₁₆ | 77 |
| | | 9 | 228 | (Prefix)-09-HYL | (Prefix)-09-HYR | 32 ¹¹ / ₁₆ | 831 | 20 ⁵ / ₁₆ | 516 | 6 ¹ / ₁₆ | 154 |
| | | 12 | 305 | (Prefix)-12-HYL | (Prefix)-12-HYR | 36 ¹⁵ / ₁₆ | 938 | 25 ⁷ / ₁₆ | 646 | 9 ¹ / ₁₆ | 231 |
| | | 18 | 457 | (Prefix)-18-HYL | (Prefix)-18-HYR | 45 ³ / ₈ | 1153 | 35 ¹³ / ₁₆ | 910 | 15 ¹ / ₁₆ | 383 |
| | | 24 | 609 | (Prefix)-24-HYL | (Prefix)-24-HYR | 53 ⁷ / ₈ | 1368 | 45 ¹⁵ / ₁₆ | 1167 | 21 ¹ / ₁₆ | 535 |
| | | 30 | 762 | (Prefix)-30-HYL | (Prefix)-30-HYR | 62 ³ / ₈ | 1585 | 56 ³ / ₁₆ | 1427 | 27 ¹ / ₁₆ | 688 |
| | | 36 | 914 | (Prefix)-36-HYL | (Prefix)-36-HYR | 70 ⁷ / ₈ | 1800 | 66 ⁷ / ₁₆ | 1687 | 33 ¹ / ₁₆ | 993 |
| 42 | 1067 | (Prefix)-42-HYL | (Prefix)-42-HYR | 79 ³ / ₈ | 2016 | 76 ⁵ / ₈ | 1946 | 39 ¹ / ₁₆ | 992 | | |

(Prefix) See page 288 for catalog number prefix.

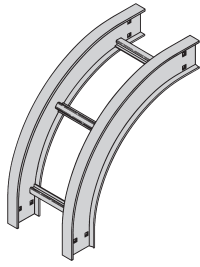
All dimensions in parentheses are millimeters unless otherwise specified.

Width dimensions are to inside wall. For aluminum fittings add 1.5 inches for total outside width. Manufacturing tolerances apply to all dimensions.

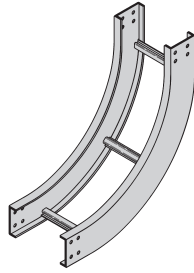
Series 2, 3, 4, & 5 - Fittings

Vertical Bend 90° (VO, VI)

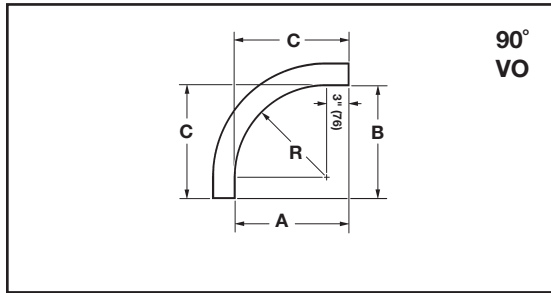
1 pair splice plates with hardware included.



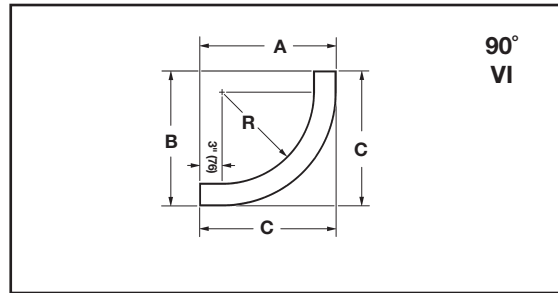
90° Vertical Outside



90° Vertical Inside



90°
VO



90°
VI

| Bend Radius R | Tray Width Insert | | (*) Insert "VO" for Vert. Outside Bend "VI" for Vert. Inside Bend Catalog No. | VO Side Rail Height 4" - 7" | | VI Side Rail Height | | | | | | | | | | | | |
|------------------|-------------------|-----|--|--------------------------------|--------|---------------------|--------|--------|--------|--------|--------|--------|--------|--------|--------|--------|--------|--------|
| | | | | | | 4" | | | 5" | | | 6" | | | 7" | | | |
| | | | | | | A | B | C | A | B | C | A | B | C | A | B | C | |
| in. | in. | mm | in. | in. | in. | in. | in. | in. | in. | in. | in. | in. | in. | in. | in. | in. | | |
| 12 (305) | 6 | 152 | (Prefix)-06-90(*)12 (Prefix)-09-90(*)12 (Prefix)-12-90(*)12 (Prefix)-18-90(*)12 (Prefix)-24-90(*)12 (Prefix)-30-90(*)12 (Prefix)-36-90(*)12 (Prefix)-42-90(*)12 | | | | | | | | | | | | | | | |
| | 9 | 228 | | 15 | 15 | 15 | 19 | 19 | 19 | 20 | 20 | 20 | 21 | 21 | 21 | 22 | 22 | 22 |
| | 12 | 305 | | (381) | (381) | (381) | (483) | (483) | (483) | (508) | (508) | (508) | (533) | (533) | (533) | (559) | (559) | (559) |
| | 18 | 457 | | | | | | | | | | | | | | | | |
| | 24 | 609 | | | | | | | | | | | | | | | | |
| | 36 | 914 | | | | | | | | | | | | | | | | |
| 24 (609) | 6 | 152 | (Prefix)-06-90(*)24 (Prefix)-09-90(*)24 (Prefix)-12-90(*)24 (Prefix)-18-90(*)24 (Prefix)-24-90(*)24 (Prefix)-30-90(*)24 (Prefix)-36-90(*)24 (Prefix)-42-90(*)24 | | | | | | | | | | | | | | | |
| | 9 | 228 | | 27 | 27 | 27 | 31 | 31 | 31 | 32 | 32 | 32 | 33 | 33 | 33 | 34 | 34 | 34 |
| | 12 | 305 | | (686) | (686) | (686) | (787) | (787) | (787) | (813) | (813) | (813) | (838) | (838) | (838) | (864) | (864) | (864) |
| | 18 | 457 | | | | | | | | | | | | | | | | |
| | 24 | 609 | | | | | | | | | | | | | | | | |
| | 30 | 762 | | | | | | | | | | | | | | | | |
| 36 (914) | 6 | 152 | (Prefix)-06-90(*)36 (Prefix)-09-90(*)36 (Prefix)-12-90(*)36 (Prefix)-18-90(*)36 (Prefix)-24-90(*)36 (Prefix)-30-90(*)36 (Prefix)-36-90(*)36 (Prefix)-42-90(*)36 | | | | | | | | | | | | | | | |
| | 9 | 228 | | 39 | 39 | 39 | 43 | 43 | 43 | 44 | 44 | 44 | 45 | 45 | 45 | 46 | 46 | 46 |
| | 12 | 305 | | (991) | (991) | (991) | (1092) | (1092) | (1092) | (1118) | (1118) | (1118) | (1143) | (1143) | (1143) | (1168) | (1168) | (1168) |
| | 18 | 457 | | | | | | | | | | | | | | | | |
| | 24 | 609 | | | | | | | | | | | | | | | | |
| | 30 | 762 | | | | | | | | | | | | | | | | |
| 48 (1219) | 6 | 152 | (Prefix)-06-90(*)48 (Prefix)-09-90(*)48 (Prefix)-12-90(*)48 (Prefix)-18-90(*)48 (Prefix)-24-90(*)48 (Prefix)-30-90(*)48 (Prefix)-36-90(*)48 (Prefix)-42-90(*)48 | | | | | | | | | | | | | | | |
| | 9 | 228 | | 51 | 51 | 51 | 55 | 55 | 55 | 56 | 56 | 56 | 57 | 57 | 57 | 58 | 58 | 58 |
| | 12 | 305 | | (1295) | (1295) | (1295) | (1397) | (1397) | (1397) | (1422) | (1422) | (1422) | (1448) | (1448) | (1448) | (1473) | (1473) | (1473) |
| | 18 | 457 | | | | | | | | | | | | | | | | |
| | 24 | 609 | | | | | | | | | | | | | | | | |
| | 30 | 762 | | | | | | | | | | | | | | | | |

(Prefix) See page 288 for catalog number prefix.

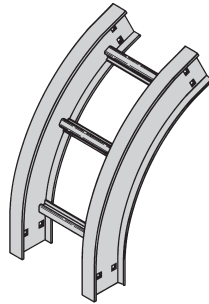
All dimensions in parentheses are millimeters unless otherwise specified.

Manufacturing tolerances apply to all dimensions.

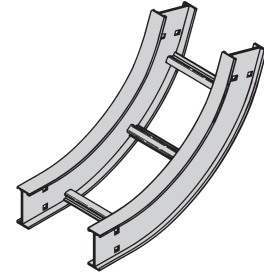
Series 2, 3, 4, & 5 - Fittings

Vertical Bend 60° (VO, VI)

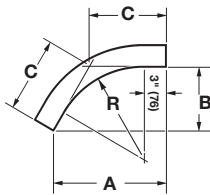
1 pair splice plates with hardware included.



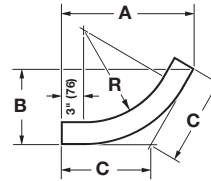
60° Vertical Outside



60° Vertical Inside



60°
VO



60°
VI

| Bend Radius R | Tray Width Insert | | (*) Insert "VO" for Vert. Outside Bend "VI" for Vert. Inside Bend Catalog No. | VO Side Rail Height 4" - 7" | | | VI Side Rail Height | | | | | | | | | | | | |
|------------------|----------------------|-----|---|-----------------------------------|-------|---------|---------------------|-------|--------|-------|-------|---------|--------|-------|--------|---------|-------|---------|-------|
| | | | | A | B | C | 4" | | | 5" | | | 6" | | | 7" | | | |
| in. | in. | mm | | in. | in. | in. | A | B | C | A | B | C | A | B | C | A | B | C | |
| 12 (305) | 6 | 152 | (Prefix)-06-60(*)12 | | | | | | | | | | | | | | | | |
| | 9 | 228 | (Prefix)-09-60(*)12 | | | | | | | | | | | | | | | | |
| | 12 | 305 | (Prefix)-12-60(*)12 | | | | | | | | | | | | | | | | |
| | 18 | 457 | (Prefix)-18-60(*)12 | 147/8 | 85/8 | 915/16 | 183/8 | 105/8 | 121/4 | 191/4 | 111/8 | 1213/16 | 201/16 | 115/8 | 133/8 | 2115/16 | 121/8 | 14 | (356) |
| | 24 | 609 | (Prefix)-24-60(*)12 | | | | | | | | | | | | | | | | |
| | 30 | 762 | (Prefix)-30-60(*)12 | | | | | | | | | | | | | | | | |
| | 36 | 914 | (Prefix)-36-60(*)12 | | | | | | | | | | | | | | | | |
| 24 (609) | 6 | 152 | (Prefix)-06-60(*)24 | | | | | | | | | | | | | | | | |
| | 9 | 228 | (Prefix)-09-60(*)24 | | | | | | | | | | | | | | | | |
| | 12 | 305 | (Prefix)-12-60(*)24 | | | | | | | | | | | | | | | | |
| | 18 | 457 | (Prefix)-18-60(*)24 | 255/16 | 145/8 | 167/8 | 283/4 | 165/8 | 193/16 | 295/8 | 171/8 | 193/4 | 301/2 | 175/8 | 205/16 | 313/8 | 181/8 | 207/8 | (530) |
| | 24 | 609 | (Prefix)-24-60(*)24 | | | | | | | | | | | | | | | | |
| | 30 | 762 | (Prefix)-30-60(*)24 | | | | | | | | | | | | | | | | |
| | 36 | 914 | (Prefix)-36-60(*)24 | | | | | | | | | | | | | | | | |
| 36 (914) | 6 | 152 | (Prefix)-06-60(*)36 | | | | | | | | | | | | | | | | |
| | 9 | 228 | (Prefix)-09-60(*)36 | | | | | | | | | | | | | | | | |
| | 12 | 305 | (Prefix)-12-60(*)36 | | | | | | | | | | | | | | | | |
| | 18 | 457 | (Prefix)-18-60(*)36 | 3511/16 | 205/8 | 2313/16 | 391/8 | 225/8 | 261/8 | 40 | 231/8 | 2611/16 | 407/8 | 235/8 | 271/4 | 413/4 | 241/8 | 2713/16 | (706) |
| | 24 | 609 | (Prefix)-24-60(*)36 | | | | | | | | | | | | | | | | |
| | 30 | 762 | (Prefix)-30-60(*)36 | | | | | | | | | | | | | | | | |
| | 36 | 914 | (Prefix)-36-60(*)36 | | | | | | | | | | | | | | | | |
| 48 (1219) | 6 | 152 | (Prefix)-06-60(*)48 | | | | | | | | | | | | | | | | |
| | 9 | 228 | (Prefix)-09-60(*)48 | | | | | | | | | | | | | | | | |
| | 12 | 305 | (Prefix)-12-60(*)48 | | | | | | | | | | | | | | | | |
| | 18 | 457 | (Prefix)-18-60(*)48 | 461/16 | 265/8 | 3011/16 | 499/16 | 285/8 | 33 | 503/8 | 291/8 | 335/8 | 511/4 | 295/8 | 343/16 | 521/8 | 301/8 | 343/4 | (883) |
| | 24 | 609 | (Prefix)-24-60(*)48 | | | | | | | | | | | | | | | | |
| | 30 | 762 | (Prefix)-30-60(*)48 | | | | | | | | | | | | | | | | |
| | 36 | 914 | (Prefix)-36-60(*)48 | | | | | | | | | | | | | | | | |

(Prefix) See page 288 for catalog number prefix.

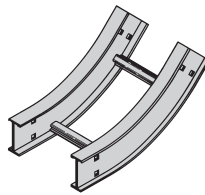
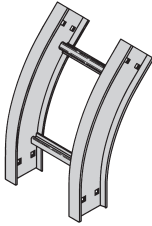
All dimensions in parentheses are millimeters unless otherwise specified.

Manufacturing tolerances apply to all dimensions.

Series 2, 3, 4, & 5 - Fittings

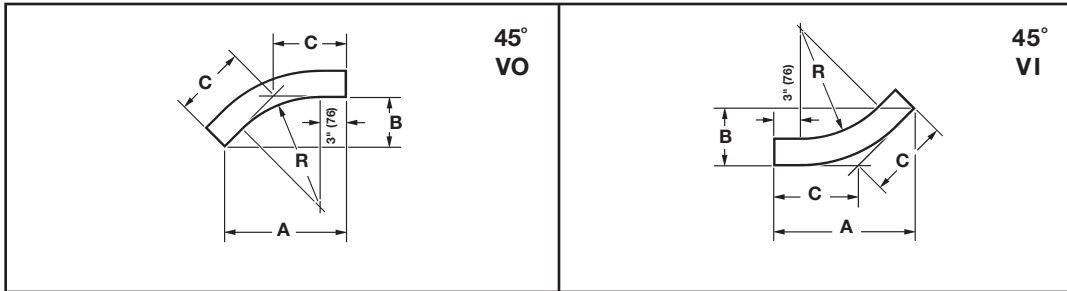
Vertical Bend 45° (VO, VI)

1 pair splice plates with hardware included.



45° Vertical Outside

45° Vertical Inside



| Bend Radius R | Tray Width | | (*) Insert "VO" for Vert. Outside Bend Insert "VI" for Vert. Inside Bend Catalog No. | VO Side Rail Height | | VI Side Rail Height | | | | | | | | | | | | |
|------------------|------------|---------------------|--|----------------------------------|----------------------------------|----------------------------------|----------------------------------|----------------------------------|---------------------------------|--------------------------------|----------------------------------|----------------------------------|----------------------------------|----------------------------------|---------------------------------|----------------------------------|----------------------------------|----------------------------------|
| | | | | 4" - 7" | | | 4" | | | 5" | | | 6" | | | 7" | | |
| | | | | A | B | C | A | B | C | A | B | C | A | B | C | A | B | C |
| in. | in. | mm | in. | in. | in. | in. | in. | in. | in. | in. | in. | in. | in. | in. | in. | in. | | |
| 12 (305) | 6 | 152 | (Prefix)-06-45(*)12 | | | | | | | | | | | | | | | |
| | 9 | 228 | (Prefix)-09-45(*)12 | | | | | | | | | | | | | | | |
| | 12 | 305 | (Prefix)-12-45(*)12 | | | | | | | | | | | | | | | |
| | 18 | 457 | (Prefix)-18-45(*)12 | 13 ⁵ / ₈ | 5 ⁵ / ₈ | 8 | 16 ⁷ / ₁₆ | 6 ¹³ / ₁₆ | 9 ⁵ / ₈ | 17 ¹ / ₈ | 7 ¹ / ₈ | 10 ¹ / ₁₆ | 17 ⁷ / ₈ | 7 ³ / ₈ | 10 ⁷ / ₁₆ | 18 ⁹ / ₁₆ | 7 ¹¹ / ₁₆ | 10 ⁷ / ₈ |
| | 24 | 609 | (Prefix)-24-45(*)12 | 13 ⁵ / ₈ | 5 ⁵ / ₈ | 8 | 16 ⁷ / ₁₆ | 6 ¹³ / ₁₆ | 9 ⁵ / ₈ | 17 ¹ / ₈ | 7 ¹ / ₈ | 10 ¹ / ₁₆ | 17 ⁷ / ₈ | 7 ³ / ₈ | 10 ⁷ / ₁₆ | 18 ⁹ / ₁₆ | 7 ¹¹ / ₁₆ | 10 ⁷ / ₈ |
| | 30 | 762 | (Prefix)-30-45(*)12 | 13 ⁵ / ₈ | 5 ⁵ / ₈ | 8 | 16 ⁷ / ₁₆ | 6 ¹³ / ₁₆ | 9 ⁵ / ₈ | 17 ¹ / ₈ | 7 ¹ / ₈ | 10 ¹ / ₁₆ | 17 ⁷ / ₈ | 7 ³ / ₈ | 10 ⁷ / ₁₆ | 18 ⁹ / ₁₆ | 7 ¹¹ / ₁₆ | 10 ⁷ / ₈ |
| | 36 | 914 | (Prefix)-36-45(*)12 | 13 ⁵ / ₈ | 5 ⁵ / ₈ | 8 | 16 ⁷ / ₁₆ | 6 ¹³ / ₁₆ | 9 ⁵ / ₈ | 17 ¹ / ₈ | 7 ¹ / ₈ | 10 ¹ / ₁₆ | 17 ⁷ / ₈ | 7 ³ / ₈ | 10 ⁷ / ₁₆ | 18 ⁹ / ₁₆ | 7 ¹¹ / ₁₆ | 10 ⁷ / ₈ |
| 42 | 1067 | (Prefix)-42-45(*)12 | 13 ⁵ / ₈ | 5 ⁵ / ₈ | 8 | 16 ⁷ / ₁₆ | 6 ¹³ / ₁₆ | 9 ⁵ / ₈ | 17 ¹ / ₈ | 7 ¹ / ₈ | 10 ¹ / ₁₆ | 17 ⁷ / ₈ | 7 ³ / ₈ | 10 ⁷ / ₁₆ | 18 ⁹ / ₁₆ | 7 ¹¹ / ₁₆ | 10 ⁷ / ₈ | |
| 24 (609) | 6 | 152 | (Prefix)-06-45(*)24 | | | | | | | | | | | | | | | |
| | 9 | 228 | (Prefix)-09-45(*)24 | | | | | | | | | | | | | | | |
| | 12 | 305 | (Prefix)-12-45(*)24 | | | | | | | | | | | | | | | |
| | 18 | 457 | (Prefix)-18-45(*)24 | 22 ¹ / ₁₆ | 9 ¹ / ₈ | 12 ¹⁵ / ₁₆ | 24 ¹⁵ / ₁₆ | 10 ⁵ / ₁₆ | 14 ⁵ / ₈ | 25 ⁵ / ₈ | 10 ⁵ / ₈ | 15 | 26 ⁵ / ₁₆ | 10 ¹⁵ / ₁₆ | 15 ⁷ / ₁₆ | 27 ¹ / ₁₆ | 11 ³ / ₁₆ | 15 ¹³ / ₁₆ |
| | 24 | 609 | (Prefix)-24-45(*)24 | 22 ¹ / ₁₆ | 9 ¹ / ₈ | 12 ¹⁵ / ₁₆ | 24 ¹⁵ / ₁₆ | 10 ⁵ / ₁₆ | 14 ⁵ / ₈ | 25 ⁵ / ₈ | 10 ⁵ / ₈ | 15 | 26 ⁵ / ₁₆ | 10 ¹⁵ / ₁₆ | 15 ⁷ / ₁₆ | 27 ¹ / ₁₆ | 11 ³ / ₁₆ | 15 ¹³ / ₁₆ |
| | 30 | 762 | (Prefix)-30-45(*)24 | 22 ¹ / ₁₆ | 9 ¹ / ₈ | 12 ¹⁵ / ₁₆ | 24 ¹⁵ / ₁₆ | 10 ⁵ / ₁₆ | 14 ⁵ / ₈ | 25 ⁵ / ₈ | 10 ⁵ / ₈ | 15 | 26 ⁵ / ₁₆ | 10 ¹⁵ / ₁₆ | 15 ⁷ / ₁₆ | 27 ¹ / ₁₆ | 11 ³ / ₁₆ | 15 ¹³ / ₁₆ |
| | 36 | 914 | (Prefix)-36-45(*)24 | 22 ¹ / ₁₆ | 9 ¹ / ₈ | 12 ¹⁵ / ₁₆ | 24 ¹⁵ / ₁₆ | 10 ⁵ / ₁₆ | 14 ⁵ / ₈ | 25 ⁵ / ₈ | 10 ⁵ / ₈ | 15 | 26 ⁵ / ₁₆ | 10 ¹⁵ / ₁₆ | 15 ⁷ / ₁₆ | 27 ¹ / ₁₆ | 11 ³ / ₁₆ | 15 ¹³ / ₁₆ |
| 42 | 1067 | (Prefix)-42-45(*)24 | 22 ¹ / ₁₆ | 9 ¹ / ₈ | 12 ¹⁵ / ₁₆ | 24 ¹⁵ / ₁₆ | 10 ⁵ / ₁₆ | 14 ⁵ / ₈ | 25 ⁵ / ₈ | 10 ⁵ / ₈ | 15 | 26 ⁵ / ₁₆ | 10 ¹⁵ / ₁₆ | 15 ⁷ / ₁₆ | 27 ¹ / ₁₆ | 11 ³ / ₁₆ | 15 ¹³ / ₁₆ | |
| 36 (924) | 6 | 152 | (Prefix)-06-45(*)36 | | | | | | | | | | | | | | | |
| | 9 | 228 | (Prefix)-09-45(*)36 | | | | | | | | | | | | | | | |
| | 12 | 305 | (Prefix)-12-45(*)36 | | | | | | | | | | | | | | | |
| | 18 | 457 | (Prefix)-18-45(*)36 | 30 ⁹ / ₁₆ | 12 ¹¹ / ₁₆ | 17 ¹⁵ / ₁₆ | 33 ³ / ₈ | 13 ¹³ / ₁₆ | 19 ⁹ / ₁₆ | 34 ¹ / ₈ | 14 ¹ / ₈ | 20 | 34 ¹³ / ₁₆ | 14 ⁷ / ₁₆ | 20 ⁹ / ₈ | 35 ¹ / ₂ | 14 ¹¹ / ₁₆ | 20 ¹³ / ₁₆ |
| | 24 | 609 | (Prefix)-24-45(*)36 | 30 ⁹ / ₁₆ | 12 ¹¹ / ₁₆ | 17 ¹⁵ / ₁₆ | 33 ³ / ₈ | 13 ¹³ / ₁₆ | 19 ⁹ / ₁₆ | 34 ¹ / ₈ | 14 ¹ / ₈ | 20 | 34 ¹³ / ₁₆ | 14 ⁷ / ₁₆ | 20 ⁹ / ₈ | 35 ¹ / ₂ | 14 ¹¹ / ₁₆ | 20 ¹³ / ₁₆ |
| | 30 | 762 | (Prefix)-30-45(*)36 | 30 ⁹ / ₁₆ | 12 ¹¹ / ₁₆ | 17 ¹⁵ / ₁₆ | 33 ³ / ₈ | 13 ¹³ / ₁₆ | 19 ⁹ / ₁₆ | 34 ¹ / ₈ | 14 ¹ / ₈ | 20 | 34 ¹³ / ₁₆ | 14 ⁷ / ₁₆ | 20 ⁹ / ₈ | 35 ¹ / ₂ | 14 ¹¹ / ₁₆ | 20 ¹³ / ₁₆ |
| | 36 | 914 | (Prefix)-36-45(*)36 | 30 ⁹ / ₁₆ | 12 ¹¹ / ₁₆ | 17 ¹⁵ / ₁₆ | 33 ³ / ₈ | 13 ¹³ / ₁₆ | 19 ⁹ / ₁₆ | 34 ¹ / ₈ | 14 ¹ / ₈ | 20 | 34 ¹³ / ₁₆ | 14 ⁷ / ₁₆ | 20 ⁹ / ₈ | 35 ¹ / ₂ | 14 ¹¹ / ₁₆ | 20 ¹³ / ₁₆ |
| 42 | 1067 | (Prefix)-42-45(*)36 | 30 ⁹ / ₁₆ | 12 ¹¹ / ₁₆ | 17 ¹⁵ / ₁₆ | 33 ³ / ₈ | 13 ¹³ / ₁₆ | 19 ⁹ / ₁₆ | 34 ¹ / ₈ | 14 ¹ / ₈ | 20 | 34 ¹³ / ₁₆ | 14 ⁷ / ₁₆ | 20 ⁹ / ₈ | 35 ¹ / ₂ | 14 ¹¹ / ₁₆ | 20 ¹³ / ₁₆ | |
| 48 (1219) | 6 | 152 | (Prefix)-06-45(*)48 | | | | | | | | | | | | | | | |
| | 9 | 228 | (Prefix)-09-45(*)48 | | | | | | | | | | | | | | | |
| | 12 | 305 | (Prefix)-12-45(*)48 | | | | | | | | | | | | | | | |
| | 18 | 457 | (Prefix)-18-45(*)48 | 39 ¹ / ₁₆ | 16 ³ / ₁₆ | 22 ⁷ / ₈ | 41 ⁷ / ₈ | 17 ³ / ₈ | 24 ⁹ / ₁₆ | 42 ⁵ / ₈ | 17 ⁵ / ₈ | 24 ¹⁵ / ₁₆ | 43 ⁵ / ₁₆ | 17 ¹⁵ / ₁₆ | 25 ³ / ₈ | 44 | 18 ¹ / ₄ | 25 ¹³ / ₁₆ |
| | 24 | 609 | (Prefix)-24-45(*)48 | 39 ¹ / ₁₆ | 16 ³ / ₁₆ | 22 ⁷ / ₈ | 41 ⁷ / ₈ | 17 ³ / ₈ | 24 ⁹ / ₁₆ | 42 ⁵ / ₈ | 17 ⁵ / ₈ | 24 ¹⁵ / ₁₆ | 43 ⁵ / ₁₆ | 17 ¹⁵ / ₁₆ | 25 ³ / ₈ | 44 | 18 ¹ / ₄ | 25 ¹³ / ₁₆ |
| | 30 | 762 | (Prefix)-30-45(*)48 | 39 ¹ / ₁₆ | 16 ³ / ₁₆ | 22 ⁷ / ₈ | 41 ⁷ / ₈ | 17 ³ / ₈ | 24 ⁹ / ₁₆ | 42 ⁵ / ₈ | 17 ⁵ / ₈ | 24 ¹⁵ / ₁₆ | 43 ⁵ / ₁₆ | 17 ¹⁵ / ₁₆ | 25 ³ / ₈ | 44 | 18 ¹ / ₄ | 25 ¹³ / ₁₆ |
| | 36 | 914 | (Prefix)-36-45(*)48 | 39 ¹ / ₁₆ | 16 ³ / ₁₆ | 22 ⁷ / ₈ | 41 ⁷ / ₈ | 17 ³ / ₈ | 24 ⁹ / ₁₆ | 42 ⁵ / ₈ | 17 ⁵ / ₈ | 24 ¹⁵ / ₁₆ | 43 ⁵ / ₁₆ | 17 ¹⁵ / ₁₆ | 25 ³ / ₈ | 44 | 18 ¹ / ₄ | 25 ¹³ / ₁₆ |
| 42 | 1067 | (Prefix)-42-45(*)48 | 39 ¹ / ₁₆ | 16 ³ / ₁₆ | 22 ⁷ / ₈ | 41 ⁷ / ₈ | 17 ³ / ₈ | 24 ⁹ / ₁₆ | 42 ⁵ / ₈ | 17 ⁵ / ₈ | 24 ¹⁵ / ₁₆ | 43 ⁵ / ₁₆ | 17 ¹⁵ / ₁₆ | 25 ³ / ₈ | 44 | 18 ¹ / ₄ | 25 ¹³ / ₁₆ | |

(Prefix) See page 288 for catalog number prefix.

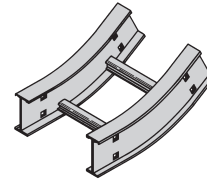
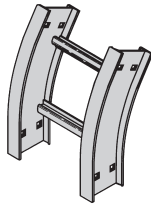
All dimensions in parentheses are millimeters unless otherwise specified.

Manufacturing tolerances apply to all dimensions.

Series 2, 3, 4, & 5 - Fittings

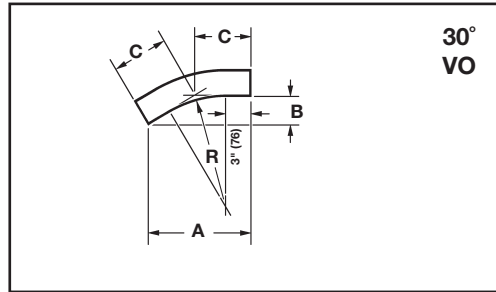
Vertical Bend 30° (VO, VI)

1 pair splice plates with hardware included.

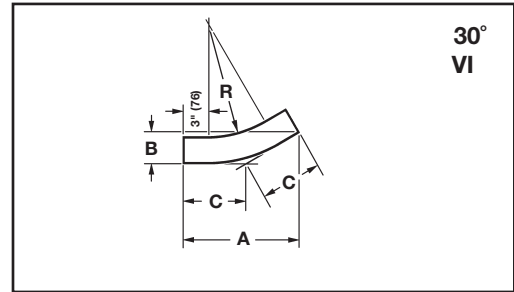


30° Vertical Outside

30° Vertical Inside



30° VO



30° VI

| Bend Radius R | Tray Width | | (*) Insert "VO" for Vert. Outside Bend Insert "VI" for Vert. Inside Bend Catalog No. | VO Side Rail Height | | | VI Side Rail Height | | | | | | | | | | | |
|---------------|------------|-----|--|--------------------------------|---------------------------------|--------------------------------|--------------------------------|--------------------------------|----------------------------------|--------------------------------|-------------------------------|---------------------------------|--------------------------------|---------------------------------|---------------------------------|--------------------------------|--------------------------------|---------------------------------|
| | | | | 4" - 7" | | | 4" | | | 5" | | | 6" | | | 7" | | |
| | | | | A | B | C | A | B | C | A | B | C | A | B | C | A | B | C |
| in. | in. mm | | in. | in. | in. | in. | in. | in. | in. | in. | in. | in. | in. | in. | in. | in. | | |
| 12 (305) | 6 | 152 | (Prefix)-06-30(*)12 | | | | | | | | | | | | | | | |
| | 9 | 228 | (Prefix)-09-30(*)12 | | | | | | | | | | | | | | | |
| | 12 | 305 | (Prefix)-12-30(*)12 | | | | | | | | | | | | | | | |
| | 18 | 457 | (Prefix)-18-30(*)12 | 11 ⁵ / ₈ | 3 ¹ / ₈ | 6 ³ / ₁₆ | 13 ⁵ / ₈ | 3 ⁵ / ₈ | 7 ⁵ / ₁₆ | 14 ¹ / ₈ | 3 ³ / ₄ | 7 ⁹ / ₁₆ | 14 ⁵ / ₈ | 3 ¹⁵ / ₁₆ | 7 ¹³ / ₁₆ | 15 ¹ / ₈ | 4 ¹ / ₁₆ | 8 ¹ / ₁₆ |
| | 24 | 609 | (Prefix)-24-30(*)12 | (296) | (79) | (157) | (346) | (92) | (186) | (359) | (95) | (192) | (372) | (100) | (199) | (384) | (103) | (205) |
| | 30 | 762 | (Prefix)-30-30(*)12 | | | | | | | | | | | | | | | |
| 24 (609) | 6 | 152 | (Prefix)-06-30(*)24 | | | | | | | | | | | | | | | |
| | 9 | 228 | (Prefix)-09-30(*)24 | | | | | | | | | | | | | | | |
| | 12 | 305 | (Prefix)-12-30(*)24 | | | | | | | | | | | | | | | |
| | 18 | 457 | (Prefix)-18-30(*)24 | 17 ⁵ / ₈ | 4 ¹¹ / ₁₆ | 9 ⁷ / ₁₆ | 19 ⁵ / ₈ | 5 ¹ / ₄ | 10 ¹ / ₂ | 20 ¹ / ₈ | 5 ³ / ₈ | 10 ³ / ₄ | 20 ⁵ / ₈ | 5 ¹ / ₂ | 11 ¹ / ₁₆ | 21 ¹ / ₈ | 5 ⁵ / ₈ | 11 ⁵ / ₁₆ |
| | 24 | 609 | (Prefix)-24-30(*)24 | (448) | (120) | (240) | (499) | (133) | (267) | (511) | (137) | (273) | (524) | (140) | (282) | (537) | (143) | (287) |
| | 30 | 762 | (Prefix)-30-30(*)24 | | | | | | | | | | | | | | | |
| 36 (914) | 6 | 152 | (Prefix)-06-30(*)36 | | | | | | | | | | | | | | | |
| | 9 | 228 | (Prefix)-09-30(*)36 | | | | | | | | | | | | | | | |
| | 12 | 305 | (Prefix)-12-30(*)36 | | | | | | | | | | | | | | | |
| | 18 | 457 | (Prefix)-18-30(*)36 | 23 ⁵ / ₈ | 6 ⁵ / ₁₆ | 12 ⁵ / ₈ | 25 ⁵ / ₈ | 6 ⁷ / ₈ | 13 ¹¹ / ₁₆ | 26 ¹ / ₈ | 7 | 14 | 26 ⁵ / ₈ | 7 ¹ / ₈ | 14 ¹ / ₄ | 27 ¹ / ₈ | 7 ¹ / ₄ | 14 ¹ / ₂ |
| | 24 | 609 | (Prefix)-24-30(*)36 | (600) | (160) | (321) | (651) | (174) | (348) | (663) | (175) | (356) | (676) | (181) | (362) | (689) | (184) | (287) |
| | 30 | 762 | (Prefix)-30-30(*)36 | | | | | | | | | | | | | | | |
| 48 (1219) | 6 | 152 | (Prefix)-06-30(*)48 | | | | | | | | | | | | | | | |
| | 9 | 228 | (Prefix)-09-30(*)48 | | | | | | | | | | | | | | | |
| | 12 | 305 | (Prefix)-12-30(*)48 | | | | | | | | | | | | | | | |
| | 18 | 457 | (Prefix)-18-30(*)48 | 29 ⁵ / ₈ | 7 ¹⁵ / ₁₆ | 15 ⁷ / ₈ | 31 ⁵ / ₈ | 8 ⁷ / ₁₆ | 16 ¹⁵ / ₁₆ | 32 ¹ / ₈ | 8 ⁵ / ₈ | 17 ⁹ / ₁₆ | 32 ⁵ / ₈ | 8 ³ / ₄ | 17 ¹ / ₂ | 33 ¹ / ₈ | 8 ⁷ / ₈ | 17 ³ / ₄ |
| | 24 | 609 | (Prefix)-24-30(*)48 | (753) | (202) | (403) | (803) | (214) | (430) | (816) | (219) | (437) | (829) | (222) | (445) | (842) | (226) | (451) |
| | 30 | 762 | (Prefix)-30-30(*)48 | | | | | | | | | | | | | | | |

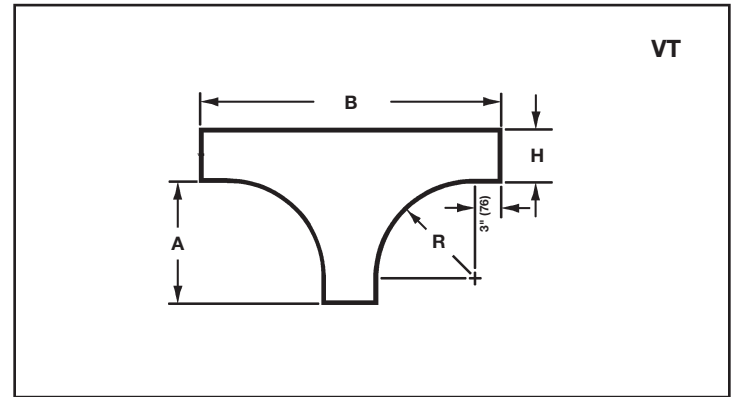
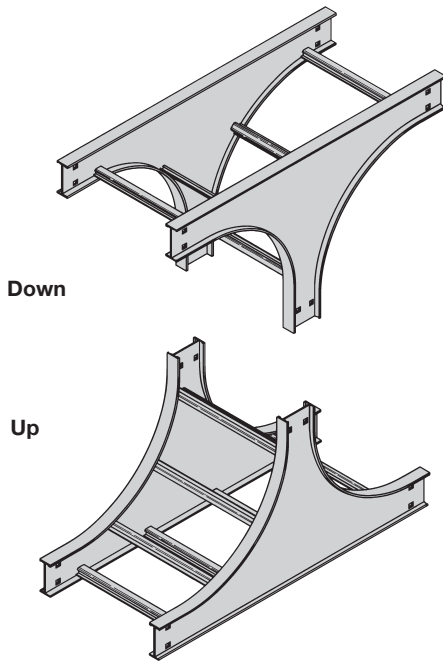
(Prefix) See page 288 for catalog number prefix.

All dimensions in parentheses are millimeters unless otherwise specified.

Manufacturing tolerances apply to all dimensions.

Vertical Tee Up/Down (VTU/VT)

2 pair splice plates with hardware included.



| Bend Radius R | Tray Width | | Vertical Tee Down Catalog No. | Vertical Tee Up Catalog No. | Side Rail Height "H" | | | | | | | |
|---------------|------------|------------------|-------------------------------|-----------------------------|----------------------|---------------|--------------|---------------|--------------|---------------|--------------|---------------|
| | | | | | 4" | | 5" | | 6" | | 7" | |
| | | | | | A | B | A | B | A | B | A | B |
| 12 (305) | 6 | 152 | (Prefix)-06-VT12 | (Prefix)-06-VTU12 | 15 (381) | 34 (846) | 15 (381) | 35 (889) | 15 (381) | 36 (914) | 15 (381) | 37 (940) |
| | 9 | 228 | (Prefix)-09-VT12 | (Prefix)-09-VTU12 | | | | | | | | |
| | 12 | 305 | (Prefix)-12-VT12 | (Prefix)-12-VTU12 | | | | | | | | |
| | 18 | 457 | (Prefix)-18-VT12 | (Prefix)-18-VTU12 | | | | | | | | |
| | 24 | 609 | (Prefix)-24-VT12 | (Prefix)-24-VTU12 | | | | | | | | |
| | 30 | 762 | (Prefix)-30-VT12 | (Prefix)-30-VTU12 | | | | | | | | |
| | 36 | 914 | (Prefix)-36-VT12 | (Prefix)-36-VTU12 | | | | | | | | |
| 42 | 1067 | (Prefix)-42-VT12 | (Prefix)-42-VTU12 | | | | | | | | | |
| 24 (609) | 6 | 152 | (Prefix)-06-VT24 | (Prefix)-06-VTU24 | 27 (6867) | 58 (1473) | 27 (686) | 59 (1498) | 27 (686) | 60 (1524) | 27 (686) | 61 (1549) |
| | 9 | 228 | (Prefix)-09-VT24 | (Prefix)-09-VTU24 | | | | | | | | |
| | 12 | 305 | (Prefix)-12-VT24 | (Prefix)-12-VTU24 | | | | | | | | |
| | 18 | 457 | (Prefix)-18-VT24 | (Prefix)-18-VTU24 | | | | | | | | |
| | 24 | 609 | (Prefix)-24-VT24 | (Prefix)-24-VTU24 | | | | | | | | |
| | 30 | 762 | (Prefix)-30-VT24 | (Prefix)-30-VTU24 | | | | | | | | |
| | 36 | 914 | (Prefix)-36-VT24 | (Prefix)-36-VTU24 | | | | | | | | |
| 42 | 1067 | (Prefix)-42-VT24 | (Prefix)-42-VTU24 | | | | | | | | | |
| 36 (914) | 6 | 152 | (Prefix)-06-VT36 | (Prefix)-06-VTU36 | 39 (991) | 82 (2083) | 39 (991) | 83 (2108) | 39 (991) | 84 (2134) | 39 (991) | 85 (2159) |
| | 9 | 228 | (Prefix)-09-VT36 | (Prefix)-09-VTU36 | | | | | | | | |
| | 12 | 305 | (Prefix)-12-VT36 | (Prefix)-12-VTU36 | | | | | | | | |
| | 18 | 457 | (Prefix)-18-VT36 | (Prefix)-18-VTU36 | | | | | | | | |
| | 24 | 609 | (Prefix)-24-VT36 | (Prefix)-24-VTU36 | | | | | | | | |
| | 30 | 762 | (Prefix)-30-VT36 | (Prefix)-30-VTU36 | | | | | | | | |
| | 36 | 914 | (Prefix)-36-VT36 | (Prefix)-36-VTU36 | | | | | | | | |
| 42 | 1067 | (Prefix)-42-VT36 | (Prefix)-42-VTU36 | | | | | | | | | |
| 48 (1219) | 6 | 152 | (Prefix)-06-VT48 | (Prefix)-06-VTU48 | 51 (1295) | 106 (2692) | 51 (1295) | 107 (2718) | 51 (1295) | 108 (2743) | 51 (1295) | 109 (2769) |
| | 9 | 228 | (Prefix)-09-VT48 | (Prefix)-09-VTU48 | | | | | | | | |
| | 12 | 305 | (Prefix)-12-VT48 | (Prefix)-12-VTU48 | | | | | | | | |
| | 18 | 457 | (Prefix)-18-VT48 | (Prefix)-18-VTU48 | | | | | | | | |
| | 24 | 609 | (Prefix)-24-VT48 | (Prefix)-24-VTU48 | | | | | | | | |
| | 30 | 762 | (Prefix)-30-VT48 | (Prefix)-30-VTU48 | | | | | | | | |
| | 36 | 914 | (Prefix)-36-VT48 | (Prefix)-36-VTU48 | | | | | | | | |
| 42 | 1067 | (Prefix)-42-VT48 | (Prefix)-42-VTU48 | | | | | | | | | |

(Prefix) See page 288 for catalog number prefix.

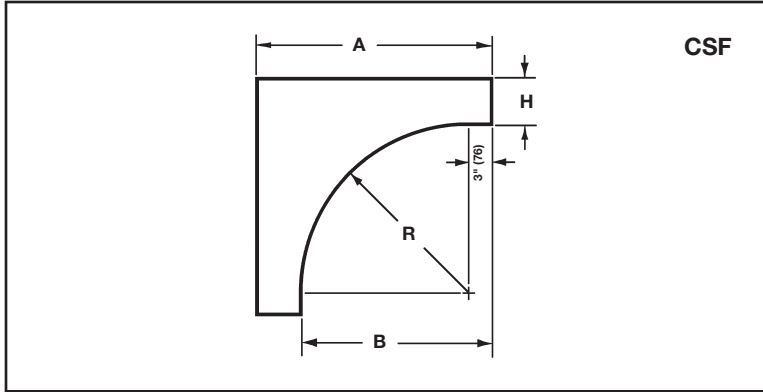
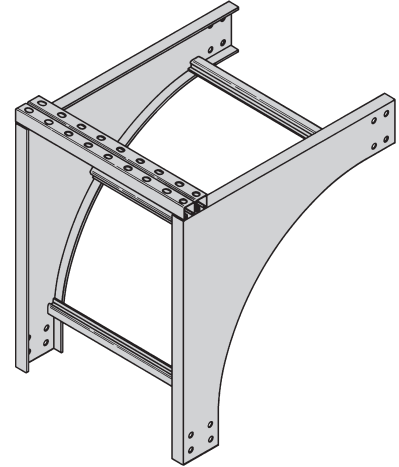
All dimensions in parentheses are millimeters unless otherwise specified.

Manufacturing tolerances apply to all dimensions.

Series 2, 3, 4, & 5 - Fittings

Cable Support Fittings (CSF)

1 pair splice plates with hardware included.



This fitting is recommended for use at the top of vertical runs to support the weight of the cables. The top cross brace is drilled for installing eyebolts, ordered separately.

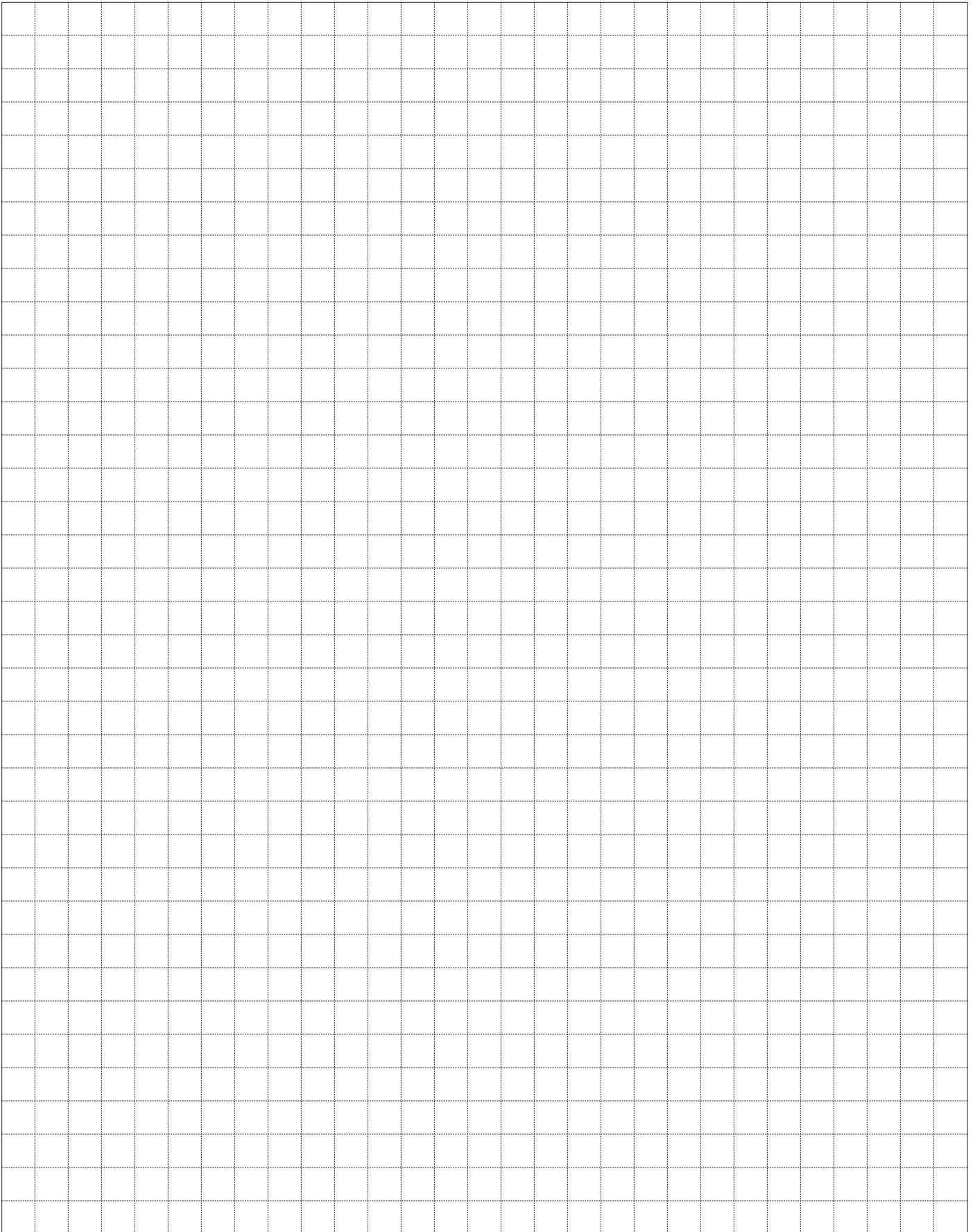
Series 2, 3, 4, & 5 Fittings

| Bend Radius R in. | Tray Width in. mm | | Catalog No. | Side Rail Height "H" | | | | | | | |
|-------------------------|----------------------|-------------------|-------------------|----------------------|--------------|--------------|--------------|--------------|--------------|--------------|--------------|
| | | | | 4" | | 5" | | 6" | | 7" | |
| | | | | A in. | B in. | A in. | B in. | A in. | B in. | A in. | B in. |
| 12 (305) | 6 | 152 | (Prefix)-06-CSF12 | 19 (483) | 15 (381) | 20 (508) | 15 (381) | 21 (533) | 15 (381) | 22 (559) | 15 (381) |
| | 9 | 228 | (Prefix)-09-CSF12 | | | | | | | | |
| | 12 | 305 | (Prefix)-12-CSF12 | | | | | | | | |
| | 18 | 457 | (Prefix)-18-CSF12 | | | | | | | | |
| | 24 | 609 | (Prefix)-24-CSF12 | | | | | | | | |
| | 30 | 762 | (Prefix)-30-CSF12 | | | | | | | | |
| | 36 | 914 | (Prefix)-36-CSF12 | | | | | | | | |
| 42 | 1067 | (Prefix)-42-CSF12 | | | | | | | | | |
| 24 (609) | 6 | 152 | (Prefix)-06-CSF24 | 31 (787) | 27 (686) | 32 (813) | 27 (686) | 33 (838) | 27 (686) | 34 (864) | 27 (686) |
| | 9 | 228 | (Prefix)-09-CSF24 | | | | | | | | |
| | 12 | 305 | (Prefix)-12-CSF24 | | | | | | | | |
| | 18 | 457 | (Prefix)-18-CSF24 | | | | | | | | |
| | 24 | 609 | (Prefix)-24-CSF24 | | | | | | | | |
| | 30 | 762 | (Prefix)-30-CSF24 | | | | | | | | |
| | 36 | 914 | (Prefix)-36-CSF24 | | | | | | | | |
| 42 | 1067 | (Prefix)-42-CSF24 | | | | | | | | | |
| 36 (914) | 6 | 152 | (Prefix)-06-CSF36 | 43 (1092) | 39 (991) | 44 (1118) | 39 (991) | 45 (1143) | 39 (991) | 46 (1168) | 39 (991) |
| | 9 | 228 | (Prefix)-09-CSF36 | | | | | | | | |
| | 12 | 305 | (Prefix)-12-CSF36 | | | | | | | | |
| | 18 | 457 | (Prefix)-18-CSF36 | | | | | | | | |
| | 24 | 609 | (Prefix)-24-CSF36 | | | | | | | | |
| | 30 | 762 | (Prefix)-30-CSF36 | | | | | | | | |
| | 36 | 914 | (Prefix)-36-CSF36 | | | | | | | | |
| 42 | 1067 | (Prefix)-42-CSF36 | | | | | | | | | |
| 48 (1219) | 6 | 152 | (Prefix)-06-CSF48 | 55 (1397) | 51 (1295) | 56 (1422) | 51 (1295) | 57 (1448) | 51 (1295) | 58 (1473) | 51 (1295) |
| | 9 | 228 | (Prefix)-09-CSF48 | | | | | | | | |
| | 12 | 305 | (Prefix)-12-CSF48 | | | | | | | | |
| | 18 | 457 | (Prefix)-18-CSF48 | | | | | | | | |
| | 24 | 609 | (Prefix)-24-CSF48 | | | | | | | | |
| | 30 | 762 | (Prefix)-30-CSF48 | | | | | | | | |
| | 36 | 914 | (Prefix)-36-CSF48 | | | | | | | | |
| 42 | 1067 | (Prefix)-42-CSF48 | | | | | | | | | |

(Prefix) See page 288 for catalog number prefix.

All dimensions in parentheses are millimeters unless otherwise specified.

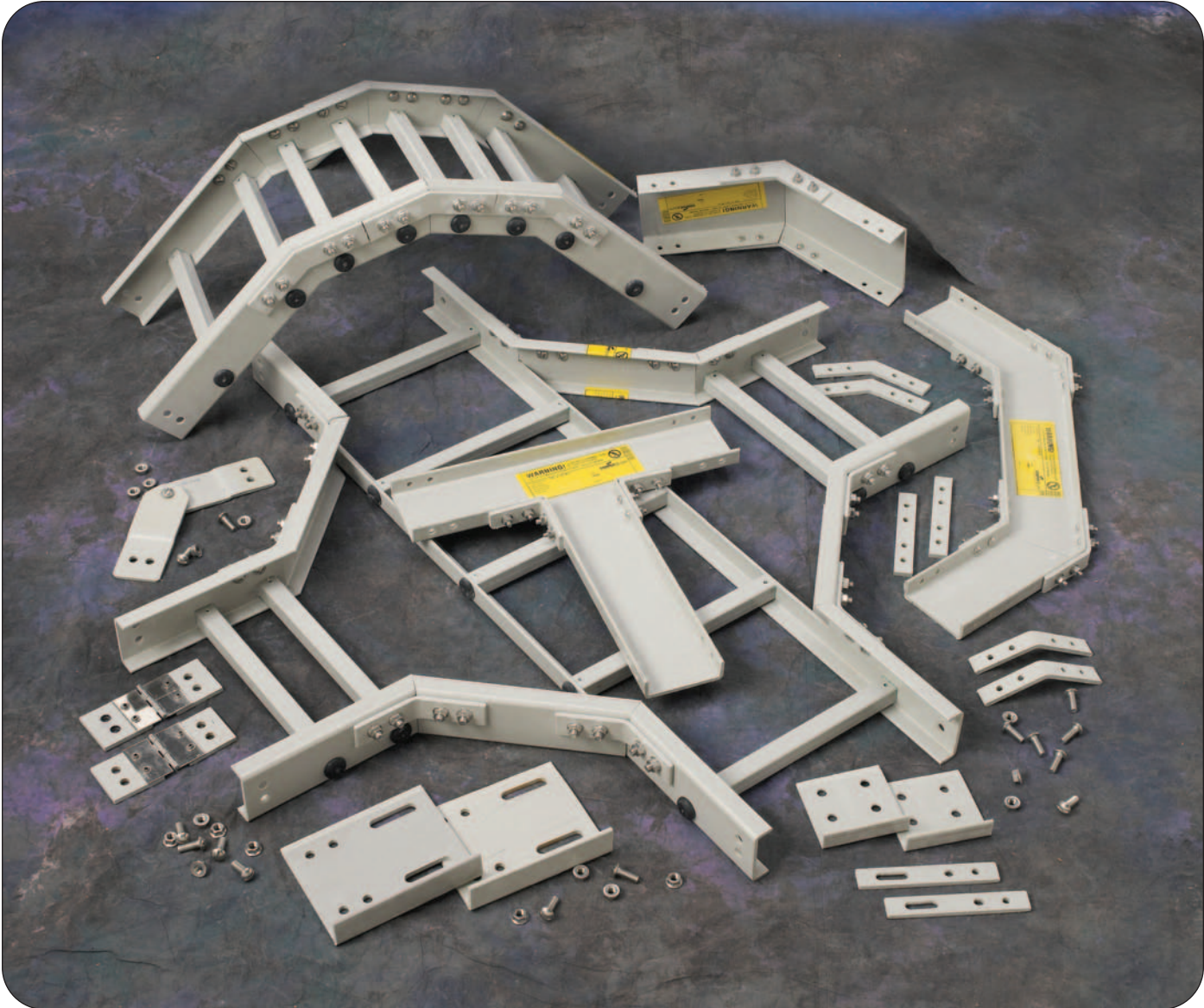
Manufacturing tolerances apply to all dimensions.



Fiberglass



Fiberglass



How The Service Advisor Works

B-Line knows that your time is important! That's why the color-coding system in this catalog is designed to help you select products that fit your service needs. Products are marked to indicate the typical lead time for orders of 50 pieces or less.

Customer: How do I select my straight sections, covers, or fittings so that I get the quickest turnaround?

Service Advisor: Each part of our selection chart is shown in colors. If any section of a part number is a different color, the part will typically ship with the longer lead time represented by the colors.

- Green = Fastest shipped items
- Black = Normal lead-time items
- Red = Normally long lead-time items

Example: 13 FA - 09 - 24 - 144

 ● ● ● ● ●

 3-5 15 3-5 3-5 3-5

Part will have a long lead time because of the FA material.

Changing the part number from 13FA to 13F will change the coding to black for all sections and reduce the lead time.

Fiberglass - Technical Data

Corrosion Guide

The information shown in this corrosion guide is based on full immersion laboratory tests and data generated from resin manufacturer's data. It should be noted that in some of the environments listed, splashes and spill situations may result in a more corrosive situation than indicated due to the evaporation of water. Regular wash down is recommended in these situations.

All data represents the best available information and is believed to be correct. The data should not be construed as a warranty of performance for that product as presented in these tables. User tests should be performed to determine suitability of service if there is any doubt or concern. Such variables as concentration, temperature, time and combined chemical effects of mixtures of chemicals make it impossible to specify the exact suitability of fiber reinforced plastics in all environments. Cooper B-Line will be happy to supply material samples for testing. These recommendations should only be used as a guide and Cooper B-Line does not take responsibility for design or suitability of materials for service intended. In no event will Cooper B-Line be liable for any consequential or special damages for any defective material or workmanship including without limitation, labor charge, other expense or damage to properties resulting from loss of materials or profits or increased expenses of operations.

| CHEMICAL ENVIRONMENT | POLYESTER | | VINYL ESTER | |
|-----------------------|-----------|-------------------|-------------|-------------------|
| | Max Wt. % | Max Oper. Temp °F | Max Wt. % | Max Oper. Temp °F |
| Acetic Acid | 10 | 190 | 10 | 210 |
| Acetic Acid | 50 | 125 | 50 | 180 |
| Acetone | N/R | N/R | 100 | 75 |
| Aluminum Chloride | SAT | 170 | SAT | 200 |
| Aluminum Hydroxide | SAT | 160 | SAT | 170 |
| Aluminum Nitrate | SAT | 150 | SAT | 170 |
| Aluminum Sulfate | SAT | 180 | SAT | 200 |
| Ammonium Chloride | SAT | 170 | SAT | 190 |
| Ammonium Hydroxide | 1 | 100 | 10 | 150 |
| Ammonium Hydroxide | 28 | N/R | 28 | 100 |
| Ammonium Carbonate | N/R | N/R | SAT | 150 |
| Ammonium Bicarbonate | 15 | 125 | SAT | 130 |
| Ammonium Nitrate | SAT | 160 | SAT | 190 |
| Ammonium Persulfate | SAT | N/R | SAT | 150 |
| Ammonium Sulfate | SAT | 170 | SAT | 200 |
| Amyl Alcohol | ALL | N/R | ALL | 90 |
| Amyl Alcohol Vapor | - | 140 | - | 120 |
| Benzene | N/R | N/R | 100 | 140 |
| Benzene Sulfonic Acid | 25 | 110 | SAT | 200 |
| Benzoic Acid | SAT | 150 | SAT | 200 |
| Benzoyl Alcohol | 100 | N/R | 100 | N/R |
| Borax | SAT | 170 | SAT | 200 |
| Calcium Carbonate | SAT | 170 | SAT | 200 |
| Calcium Chloride | SAT | 170 | SAT | 200 |
| Calcium Hydroxide | 25 | 70 | 25 | 165 |
| Calcium Nitrate | SAT | 180 | SAT | 200 |
| Calcium Sulfate | SAT | 180 | SAT | 200 |
| Carbon Disulfide | N/R | N/R | N/R | N/R |
| Carbonic Acid | SAT | 130 | SAT | 180 |
| Carbon Dioxide Gas | - | 200 | - | 200 |
| Carbon Monoxide Gas | - | 200 | - | 200 |
| Carbon Tetrachloride | N/R | N/R | 100 | 75 |
| Chlorine, Dry Gas | - | 140 | - | 170 |
| Chlorine, Wet Gas | - | N/R | - | 180 |
| Chlorine Water | SAT | 80 | SAT | 180 |

| CHEMICAL ENVIRONMENT | POLYESTER | | VINYL ESTER | |
|-----------------------|-----------|-------------------|-------------|-------------------|
| | Max Wt. % | Max Oper. Temp °F | Max Wt. % | Max Oper. Temp °F |
| Chromic Acid | 5 | 70 | 10 | 120 |
| Citric Acid | SAT | 170 | SAT | 200 |
| Copper Chloride | SAT | 170 | SAT | 200 |
| Copper Cyanide | SAT | 170 | SAT | 200 |
| Copper Nitrate | SAT | 170 | SAT | 200 |
| Crude Oil, Sour | 100 | 170 | 100 | 200 |
| Cyclohexane | N/R | N/R | N/R | N/R |
| Cyclohexane, Vapor | ALL | 100 | ALL | 130 |
| Diesel Fuel | 100 | 160 | 100 | 180 |
| Diethyl Ether | N/R | N/R | N/R | N/R |
| Dimethyl Phthalate | N/R | N/R | N/R | N/R |
| Ethanol | 50 | 75 | 50 | 90 |
| Ethyl Acetate | N/R | N/R | N/R | N/R |
| Ethylene Chloride | N/R | N/R | N/R | N/R |
| Ethylene Glycol | 100 | 90 | 100 | 200 |
| Fatty Acids | SAT | 180 | SAT | 200 |
| Ferric Chloride | SAT | 170 | SAT | 200 |
| Ferric Nitrate | SAT | 170 | SAT | 200 |
| Ferric Sulfate | SAT | 170 | SAT | 200 |
| Ferrous Chloride | SAT | 170 | SAT | 200 |
| Fluoboric Acid | N/R | N/R | SAT | 165 |
| Fluosilicic Acid | N/R | N/R | SAT | 70 |
| Formaldehyde | 50 | 75 | 50 | 100 |
| Formic Acid | N/R | N/R | 50 | 100 |
| Gasoline | 100 | 80 | 100 | 150 |
| Glucose | 100 | 170 | 100 | 200 |
| Glycerine | 100 | 150 | 100 | 200 |
| Heptane | 100 | 110 | 100 | 120 |
| Hexane | 100 | 90 | 100 | 130 |
| Hydrobromic Acid | 50 | 120 | 50 | 120 |
| Hydrochloric Acid | 10 | 150 | 10 | 200 |
| Hydrochloric Acid | 20 | 140 | 20 | 190 |
| Hydrochloric Acid | 37 | 75 | 37 | 95 |
| Hydrofluoric Acid | N/R | N/R | 15 | 80 |
| Hydrogen Bromide, Dry | 100 | 190 | 100 | 200 |

- : No Information Available

N/R: Not Recommended

SAT: Saturated Solution

FUM: Fumes

Corrosion Guide

| CHEMICAL ENVIRONMENT | POLYESTER | | VINYL ESTER | |
|----------------------------|-----------|-------------------|-------------|-------------------|
| | Max Wt. % | Max Oper. Temp °F | Max Wt. % | Max Oper. Temp °F |
| Hydrogen Bromide, Wet | 100 | 75 | 100 | 130 |
| Hydrogen Chloride | - | 120 | - | 200 |
| Hydrogen Peroxide | 5 | 100 | 30 | 100 |
| Hydrogen Sulfide, Dry | 100 | 170 | 100 | 210 |
| Hydrogen Sulfide, Wet | 100 | 170 | 100 | 210 |
| Hypochlorous Acid | 20 | 80 | 20 | 150 |
| Isopropyl Alcohol | N/R | N/R | 15 | 80 |
| Kerosene | 100 | 140 | 100 | 180 |
| Lactic Acid | SAT | 170 | SAT | 200 |
| Lead Acetate | SAT | 170 | SAT | 200 |
| Lead Chloride | SAT | 140 | SAT | 200 |
| Lead Nitrate | SAT | - | SAT | 200 |
| Linseed Oil | 100 | 150 | 100 | 190 |
| Lithium Chloride | SAT | 150 | SAT | 190 |
| Magnesium Carbonate | SAT | 140 | SAT | 170 |
| Magnesium Chloride | SAT | 170 | SAT | 200 |
| Magnesium Hydroxide | SAT | 150 | SAT | 190 |
| Magnesium Nitrate | SAT | 140 | SAT | 180 |
| Magnesium Sulfate | SAT | 170 | SAT | 190 |
| Mercuric Chloride | SAT | 150 | SAT | 190 |
| Mercurous Chloride | SAT | 140 | SAT | 180 |
| Methyl Ethyl Ketone | N/R | N/R | N/R | N/R |
| Mineral Oils | 100 | 170 | 100 | 200 |
| Monochlorobenzene | N/R | N/R | N/R | N/R |
| Naphtha | 100 | 140 | 100 | 170 |
| Nickel Chloride | SAT | 170 | SAT | 200 |
| Nickel Nitrate | SAT | 170 | SAT | 200 |
| Nickel Sulfate | SAT | 170 | SAT | 200 |
| Nitric Acid | 5 | 140 | 5 | 150 |
| Nitric Acid | 20 | 70 | 20 | 100 |
| Oleic Acid | 100 | 170 | 100 | 190 |
| Oxalic Acid | ALL | 75 | ALL | 120 |
| Paper Mill Liquors | - | 100 | - | 120 |
| Perchloroethylene | 100 | N/R | 100 | N/R |
| Perchloric Acid | N/R | N/R | 10 | 150 |
| Perchloric Acid | N/R | N/R | 30 | 80 |
| Phosphoric Acid | 10 | 160 | 10 | 200 |
| Phosphoric Acid | 100 | 120 | 100 | 200 |
| Potassium Aluminum Sulfate | SAT | 170 | SAT | 200 |
| Potassium Bicarbonate | 50 | 80 | 50 | 140 |
| Potassium Carbonate | 10 | N/R | 10 | 120 |
| Potassium Chloride | SAT | 170 | SAT | 200 |
| Potassium Dichromate | SAT | 170 | SAT | 200 |

-: No Information Available

N/R: Not Recommended

| CHEMICAL ENVIRONMENT | POLYESTER | | VINYL ESTER | |
|------------------------|-----------|-------------------|-------------|-------------------|
| | Max Wt. % | Max Oper. Temp °F | Max Wt. % | Max Oper. Temp °F |
| Potassium Hydroxide | N/R | N/R | 25 | 150 |
| Potassium Nitrate | SAT | 170 | SAT | 200 |
| Potassium Permanganate | 100 | 80 | 100 | 210 |
| Potassium Sulfate | SAT | 170 | SAT | 200 |
| Propylene Glycol | ALL | 170 | ALL | 200 |
| Phthalic Acid | - | - | SAT | 200 |
| Sodium Acetate | SAT | 160 | SAT | 200 |
| Sodium Benzoate | SAT | 170 | SAT | 200 |
| Sodium Bicarbonate | SAT | 160 | SAT | 175 |
| Sodium Bisulfate | ALL | 170 | ALL | 200 |
| Sodium Bromide | ALL | 170 | ALL | 200 |
| Sodium Carbonate | 10 | 80 | 35 | 160 |
| Sodium Chloride | SAT | 170 | SAT | 200 |
| Sodium Cyanide | SAT | 170 | SAT | 200 |
| Sodium Hydroxide | N/R | N/R | 50 | 150 |
| Sodium Hydroxide | N/R | N/R | 25 | 80 |
| Sodium Hypochloride | N/R | N/R | 10 | 150 |
| Sodium Monophosphate | SAT | 170 | SAT | 200 |
| Sodium Nitrate | SAT | 170 | SAT | 200 |
| Sodium Sulfate | SAT | 170 | SAT | 200 |
| Sodium Thiosulfate | ALL | 100 | ALL | 120 |
| Stannic Chloride | SAT | 160 | SAT | 190 |
| Styrene | N/R | N/R | N/R | N/R |
| Sulfated Detergent | 0/50 | 170 | 0/50 | 200 |
| Sulfur Dioxide | 100 | 80 | 100 | 200 |
| Sulfur Trioxide | 100 | 80 | 100 | 200 |
| Sulfuric Acid | 93 | N/R | 93 | N/R |
| Sulfuric Acid | 50 | N/R | 50 | 180 |
| Sulfuric Acid | 25 | 75 | 25 | 190 |
| Sulfurous Acid | SAT | 80 | N/R | N/R |
| Tartaric Acid | SAT | 170 | SAT | 200 |
| Tetrachloroethylene | N/R | N/R | FUM | 75 |
| Toluene | N/R | N/R | N/R | N/R |
| Trisodium Phosphate | N/R | N/R | SAT | 175 |
| Urea | SAT | 130 | SAT | 140 |
| Vinegar | 100 | 170 | 100 | 200 |
| Water, Distilled | 100 | 170 | 100 | 190 |
| Water, Tap | 100 | 170 | 100 | 190 |
| Water, Sea | SAT | 170 | SAT | 190 |
| Xylene | N/R | N/R | N/R | N/R |
| Zinc Chloride | SAT | 170 | SAT | 200 |
| Zinc Nitrate | SAT | 170 | SAT | 200 |
| Zinc Sulfate | SAT | 170 | SAT | 200 |

SAT: Saturated Solution

FUM: Fumes

Fiberglass - Technical Data

Load Data

Fiberglass Cable Tray and Cable Channel are offered in four versions for applications as follows:

| Standard Series | Resin Type | Color | Meets |
|--|---|-------|--|
| 13F, 24F, 36F, 46F, H46F, 48F FCC-03, FCC-04, FCC-06, FCC-08 | Fire Retardant Polyester | Gray | ASTM E-84 Class 1 - UL94 VO Good Corrosion Resistance in most environments |
| High Performance 13FV, 24FV, 36FV, 46FV, H46FV, 48FV FCCV-03, FCCV-04, FCCV-06, FCCV-08 | Fire Retardant Vinyl Ester | Beige | ASTM E-84 Class 1 - UL94 VO Improved Corrosion Resistance For more severe environments Higher Heat Distortion Temperature |
| Dis-Stat 13FD, 24FD, 36FD, 46FD, H46FD, 48FD FCCD-03, FCCD-04, FCCD-06, FCCD-08 | Fire Retardant Zero Halogen/Dis-Stat | Black | ASTM E-84 Class 1 - UL94 VO ASTM D257-99 Dissipates Static Charge Smoke Generation and Toxicity for Mass Transit Requirements and Off Shore application |

Effect of Temperature

Strength properties of reinforced plastics are reduced when continuously exposed to elevated temperatures. Working loads shall be reduced based on the following:

| Temperature in Degrees F | Approximate Percent of Strength |
|--------------------------|---------------------------------|
| 75 | 100 |
| 100 | 90 |
| 125 | 78 |
| 150 | 68 |
| 175 | 60 |
| 200 | 52 |

NEMA Standard 8-10-1986
If unusual temperature conditions exist,
the manufacturer should be consulted.
Authorized Engineering information 8-20-1986

Typical Properties of Pultruded Components

B-Line Fiberglass Cable Tray systems are manufactured from glass fiber-reinforced plastic shapes that meet ASTM E-84, Smoke Density rating for polyester of 680, for vinyl ester 1025, Class 1 Flame Rating and self-extinguishing requirements of ASTM D-635. A surface veil is applied during pultrusion to insure a resin-rich surface and ultraviolet resistance.

| | |
|---|----------------|
| Flame Resistance (FTMS 406-2023) ign/burn, seconds | 75/75 |
| Intermittent Flame Test (HLT-15), rating | 100 |
| Flammability Test (ASTM D635) Ignition Burning Time | none 0 sec. |

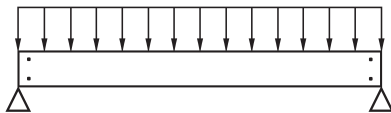
| Properties | Test Method | Unit/ Value | 3" & 4" Cable Tray, Cable Channel | | 6" Cable Tray | |
|----------------------------------|-------------|---------------------|--------------------------------------|------------|------------------------|------------|
| | | | Longitudinal | Transverse | Longitudinal | Transverse |
| Density | ASTM D1505 | lbs/in ³ | .058-.062 | - | .072 - .076 | - |
| Coefficient of Thermal Expansion | ASTM D696 | in/in/°F | 5.0 x 10 ⁻⁶ | - | 5.0 x 10 ⁻⁶ | - |
| Water Absorption | ASTM D570 | Max % | 0.5 | - | 0.5 | - |
| Dielectric Strength | ASTM D149 | V/mil (vpm) | 200 | - | 200 | - |
| Flammability Classification | UL94 | VO | - | - | - | - |
| Flame Spread | ASTM E-84 | 20 Max | - | - | - | - |

Structural Characteristics of Cable Tray and Supports

When viewed in its installed condition, any cable tray system performs functionally as a beam under a uniformly distributed load. There are four basic beam configurations typically found in a cable tray installation. All four types of beams support cable tray but each differ in the way that the beam is attached to the support. The first two beam configurations, simple and continuous, apply to the cable tray itself. The second two beam configurations, cantilever and fixed, apply more to the cable tray supports than to the cable tray itself.

Simple Beam

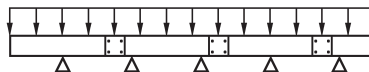
A good example of simple beam is a single straight section of cable tray supported but not fastened at either end. When the tray is loaded the cable tray is allowed to deflect.



Simply beam analysis is used almost universally for beam comparisons even though it is seldom practical in field installations. The three most prominent reasons for using a simple beam analysis are: calculations are simplified; it represents the worst case loading; and testing is simple and reliable. The published load data in the B-Line cable tray catalog is based on the simple beam analysis per NEMA Standard FG-1.

Continuous Beam

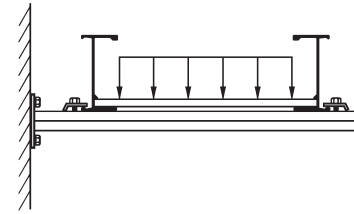
Continuous beam is the beam configuration most commonly used in cable tray installations. An example of this configuration is where cable trays are installed across several supports to form a number of spans. The continuous beam possesses traits of both the simple and fixed beams. When equal loads are applied to all spans simultaneously, the counterbalancing effect of the loads on both sides of a support restricts the movement of the cable tray at the support. The effect is similar to that of a fixed beam. The end spans behave substantially like simple beams. When cable trays of identical design are compared, continuous beam installations will typically have approximately half the deflection of a simple beam of the same span. Therefore, simple beam data should be used for a general comparison only.



Cantilever Beam

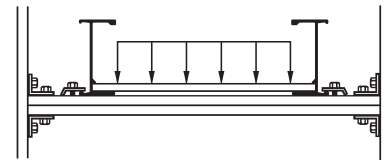
A cantilever beam configuration occurs when one end of the beam is rigidly attached to the support and the other end is unsupported. This type of configuration is typically used when wall mounting a bracket to support cable tray. Since one end is unsupported,

the cantilever beam will hold considerably less load than a comparable simple beam.



Fixed Beam

A fixed beam configuration has both ends of the beam rigidly attached to the supports. A good example of a fixed beam is the rung of a cable tray. By attaching the ends of the rung to the side rails, the ends are not free to move, bend or twist. This restriction in end movement effectively increases the load carrying capacity of the member. Fixed beam configurations are also typically found in strut rack type support systems. These types of racks are found extensively in tunnel applications for support of pipe and cable tray.



Standard B-Line Label

| | | | | |
|--|--------------------------------|--|-------------------------|---|
| WARNING! | | Do Not Use As A Walkway, Ladder, Or Support For Personnel. | |  |
| Use Only As A Mechanical Support For Cables, Tubing and Raceways. | | | | |
| Catalog Number: 24A09-12-144 STR SECTION (and description) | Shipping Ticket: 260203 00 001 | Mark Number: 78101115400 | Purchase Order: D798981 | Minimum Area: 1.000 SQ. IN. |
| Load Class: D1 179 KG/M 3 METER SPAN | REFERENCE FILE # LR360266 | 1 of 1 | | VENTILATED 09/05/2002 |
| This product is classified by Underwriters Laboratories, Inc. as to its suitability as an equipment grounding conductor only. 556E | |   | | B-Line |
| | | 816 LIONS DRIVE TROY, IL 62294 (618) 667-6779 | |  30781011154005 |

Warning! Walkways

It should be noted that cable tray is designed as a support for power or control cables, or both and is not intended or designed to be a walkway for personnel, the user is urged to display appropriate warnings cautioning against the use of this support as a walkway. The following language is suggested:

WARNING! Not to be used as a walkway, ladder or support for personnel. To be used only as a mechanical support for cables and tubing.

Authorized Engineering Information 8-20-1986

Structural Characteristics of Cable Tray and Supports

Cable Loads

The cable load is simply the total weight of all the cables to be placed in the tray. This load should be expressed in lbs./ft.

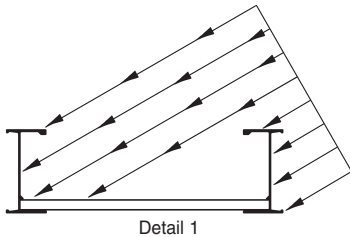
Concentrated Loads

A concentrated static load represents a static weight applied between the side rails. Tap boxes, conduit attachments and long cable drops are just some of the many types of concentrated loads. When so specified, these concentrated static loads may be converted to an equivalent, uniform load (W_e) in pounds per linear foot by using the following formula:

$$W_e = \frac{2x \text{ (concentrated static load)}}{\text{span length (ft.)}}$$

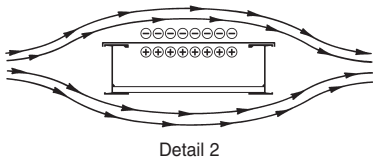
Wind Loads

Wind loads need to be determined for all outdoor cable tray installations. Most outdoor cable trays are ladder type trays,



therefore the most severe loading to be considered is pressure on the tray side rails (see Detail 1).

When covers are installed on outdoor cable trays, another factor to be considered is the aerodynamic effect which can produce a lift strong enough to separate a cover from a tray. Wind moving across a covered tray (see Detail 2) creates a positive pressure inside the tray and a negative pressure



above the cover. This pressure difference can lift the cover off the tray.

B-Line recommends the use of heavy duty wrap-around cover clamps when covered trays are installed in an area where strong winds occur.

Ice Loads

Glaze ice is the most commonly seen form of ice build-up. It is the result of rain or drizzle freezing on impact with an exposed object. Generally, only the top surface (or the cover) and the windward side of a cable tray system is significantly coated with ice. The maximum design load to be added due

to ice should be determined from local and federal weather bureau information.

Snow Loads

Snow is measured by density and thickness. The density of snow varies almost as much as its thickness. The additional design load from snowfall should be determined using local snowfall records which can be obtained from local and federal weather bureaus.

Seismic Loads

In recent years a great deal of testing and evaluation of cable tray systems, and their supports, has been performed. The conclusions reached from these evaluations have shown the cable tray/strut support system exhibited more seismic capacity than originally expected. One of the factors contributing to this is the energy dissipating motion of the cables within the tray. Another factor is the high degree of ductility of the cable tray and the support material. These factors, working in conjunction with a properly designed cable tray system, should afford reasonable assurance to withstand even strong motion earthquakes. Please consult the factory with your specific seismic specifications and request a seismic brochure.

Splices

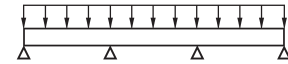
A lot of attention has been given to the strength of the side rails. These load bearing side rails must be spliced to form a continuous system, therefore the design of the splice plate is very important. The splice plate needs to be both strong and simple to install. These characteristics have been designed into B-Line's splice plates. B-Line's new high strength "L" shaped LAY-IN splice plate offers several advantages:

- 1) stronger than flat plate splices.
- 2) time saving - holds tray in position before fasteners are inserted.
- 3) provides base for an expansion splice to function - no vertical binding.
- 4) discourages splice on support-positioning, over the support is the worst place to splice - Fig 3.

The location of splices in a continuous span cable tray system is also very important. The splices should be located at points of minimum stress whenever practical. NEMA standards FG-1 limits the use of splice plates as follows:

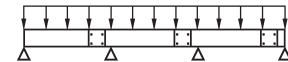
Unspliced straight section should be used on a simple span and on end spans of continuous runs. Straight section lengths should be equal to or greater than the span length to ensure not more than one splice between supports. See Figures 1 through 3 for examples on splicing configurations.

Typical Continuous Span Configuration
Figure 1



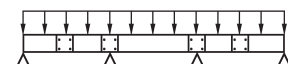
- + Maximum positive moment
- Maximum negative moment

Preferred Splice Plate Locations
Figure 2



- Preferred splice location:
- 1/4 span

Undesirable Splice Plate Locations
Figure 3



- Undesired location:
- over supports
 - mid spans

Cable Tray Thermal Contraction and Expansion

X : Denotes hold-down clamp (anchor) at support.
 - : Denotes expansion guide clamp at support.

It is important that thermal contraction and expansion be considered when installing cable tray systems. The length of the straight cable tray runs and the temperature differential govern the number of expansion splice plates required (see Table 1 below).

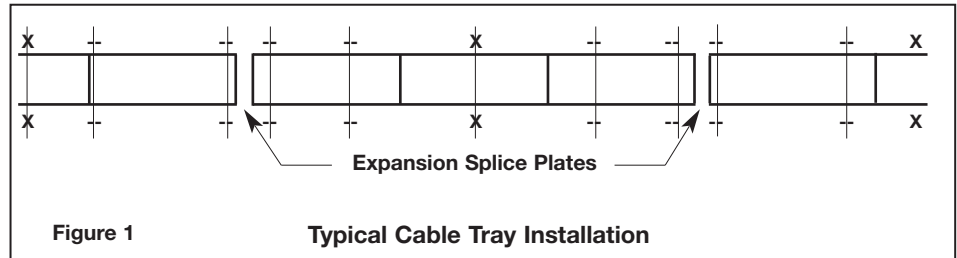


Figure 1 Typical Cable Tray Installation

The cable tray should be anchored at the support nearest to its midpoint between the expansion splice plates and secured by expansion guides at all other support locations (see Figure 1 - Typical Cable Tray Installation). The cable tray should be permitted longitudinal movement in both directions from that fixed point.

Accurate gap settings at the time of installation is necessary for the proper operation of the expansion splice plates. The following procedure should assist the installer in determining the correct gap: (see Figure 2 - Gap Setting)

- 1 Plot the highest expected tray temperature on the maximum temperature line.
- 2 Plot the lowest expected tray temperature on the minimum temperature line.
- 3 Draw a line between the maximum and minimum points.
- 4 Plot the tray temperature at the time of installation to determine the gap setting.

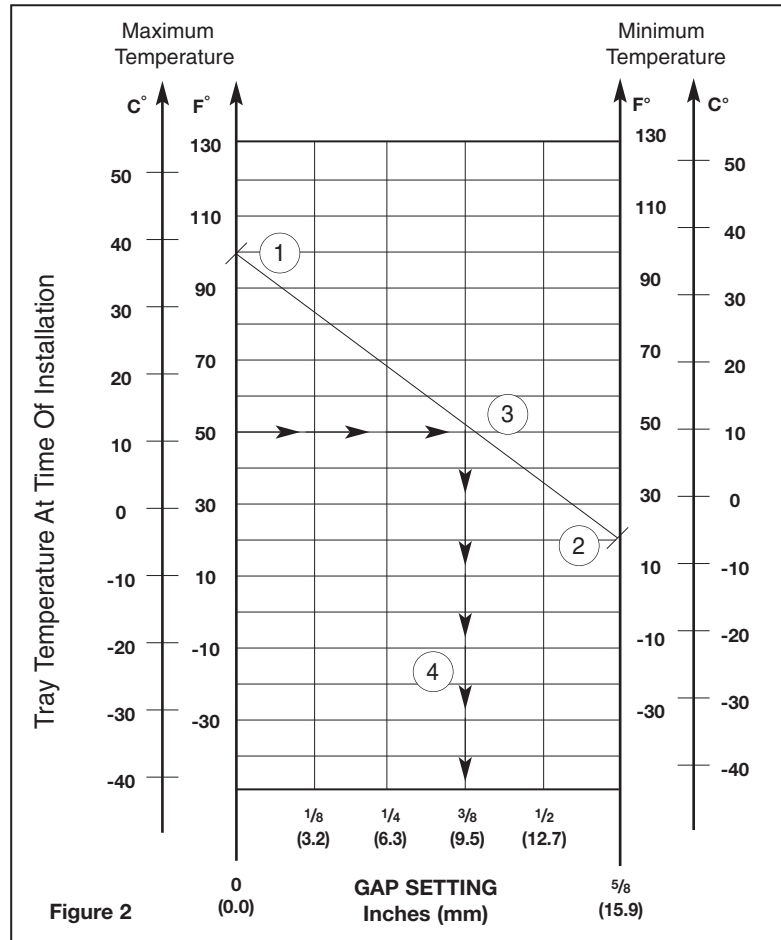


Figure 2 GAP SETTING Inches (mm)

Table 1

| Expansion or Contraction for Various Temperature Differences | | |
|--|---------------------------------------|--|
| Temperature Differential °F (°C) | Cable Tray Length for 1" Expansion | Tray Length for Each Expansion Connector* |
| 25 (-4) | 667 Feet (203.3m) | 417 Feet (127.1m) |
| 50 (10) | 333 Feet (101.5m) | 208 Feet (63.4m) |
| 75 (24) | 222 Feet (67.6m) | 139 Feet (42.3m) |
| 100 (38) | 167 Feet (50.9m) | 104 Feet (31.7m) |
| 125 (51) | 133 Feet (40.5m) | 83 Feet (25.3m) |
| 150 (65) | 111 Feet (33.8m) | 69 Feet (21.0m) |
| 175 (79) | 95 Feet (28.9m) | 59 Feet (18.0m) |

Note for gap set and hold down/guide location, see installation instruction above.
 *1" (25.4mm) slotted holes in each expansion connector allow 5/8" (15.9mm) total expansion or contraction.

Authorized Engineering Information 8-20-1986

Cable Tray Installation Guide

Installation of B-Line fiberglass cable tray should be made in accordance with the standards set by NEMA Publication VE-2, Cable Tray Installation Guide, and National Electrical Code, Article 318.

- Always observe common safety practices when assembling tray and fittings. Installations generally require some field cutting. Dust created during fabrication presents no serious health hazard, but skin irritation may be experienced by some workers.
- Operators of saws and drills should wear masks, long sleeve shirts or coveralls.
- Fabrication with fiberglass is relatively easy and comparable to working with wood. Ordinary hand tools may be used in most cases.
- Avoid excessive pressure when sawing or drilling. Too much force can rapidly dull tools and also produce excessive heat which softens the bonding resin in the fiberglass resulting in a ragged edge rather than a clean-cut edge.
- Field cutting is simple and can be accomplished with a circular power saw with an abrasive cut-off wheel (masonry type) or hack saw (24 to 32 teeth per inch).
- Drill fiberglass as you would drill hard wood. Standard twist drills are more than adequate.
- Any surface that has been drilled, cut, sanded or otherwise broken, **must be sealed** with a compatible resin. (see page 351)
- Carbide tipped saw blades and drill bits are recommended when cutting large quantities.
- Support the fiberglass material firmly during cutting operations to keep material from shifting which may cause chipping at the cut edge.
- Each tray section length should be equal to or greater than the support span.
- When possible, the splice should be located at quarter span.
- Fittings should be supported as per NEMA FG-1.

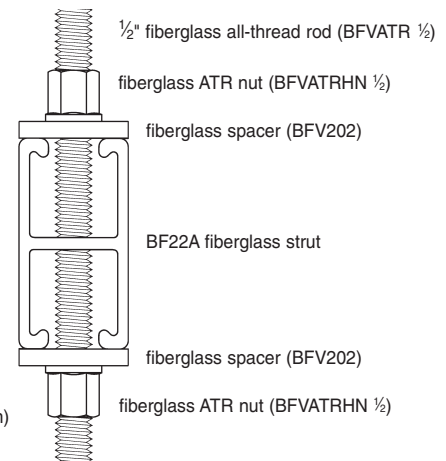
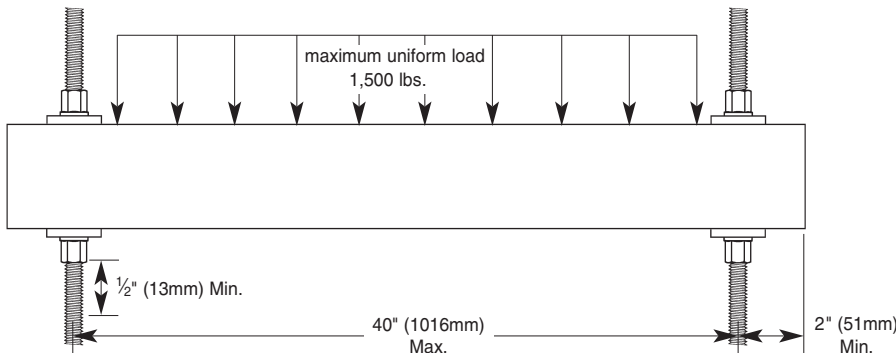
Recommended Fiberglass Trapeze Hanging Systems

Notes:

- 1) A snug three to four ft.-lbs. torque is sufficient for all thread rod nuts.
- 2) When supporting cable tray, the spacing between each trapeze should not exceed the distance between splice plates.
- 3) When hanging from beam, B-Line BFPU751 series clamps provide extra thread engagement necessary for load ratings. All thread rod must be fully engaged in the clamp.
- 4) Design load safety factor is 3:1

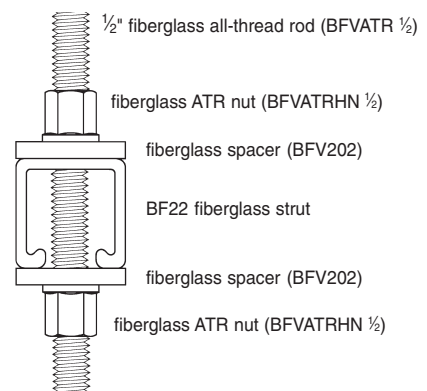
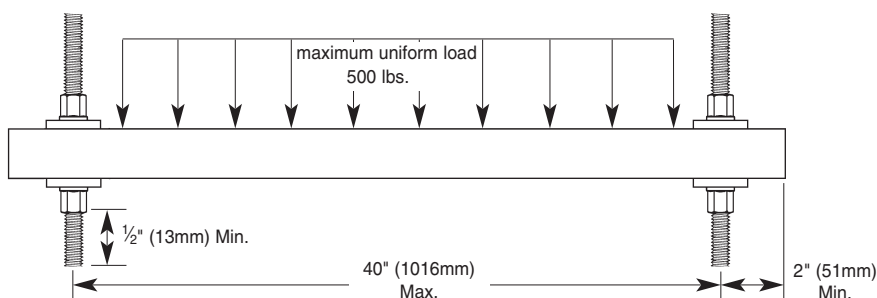
BF22A Strut:

2" max between material being supported and rod



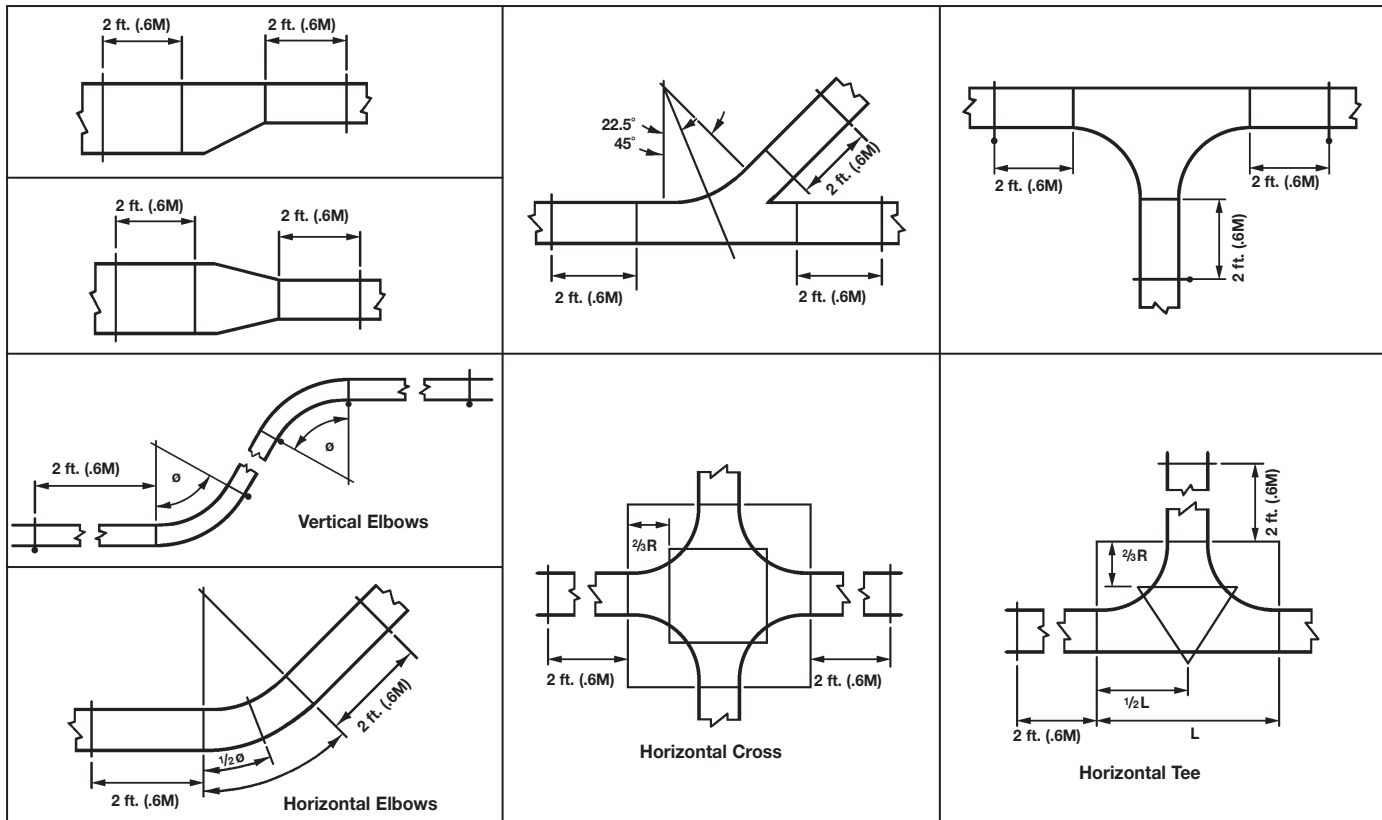
BF22 Strut:

2" max between material being supported and rod



Cable Tray Support Locations For Fittings

per NEMA VE-2 Installation Guide



$\emptyset = 30^\circ, 45^\circ, 60^\circ, 90^\circ$

How To Size Cable Tray

Based on the National Electrical Code - 1993, Section 318

The National Electrical Code Article 318 was written primarily for verifying the cable fill in cable trays but little has been done to convert this information into a design procedure.

In the development of a complete cable tray support system, B-Line established a simple method of determining the right size tray to support any given amount of cables. The following tables cover our method for determining cable tray widths based on tray design and system voltage.

Table I

Table I is subdivided into two categories covering electrical service of 2000 volts or less. The first, Category A, is for any mixture of power or lighting cables with any mixture of control or signal cables. Category B is used when control and/or signal cables only are being used.

Control Circuit - the circuit of a control apparatus or system that carries the electric signals directing the performance of the controller, but does not carry the main power (NEC Article 100).
Signaling Circuit - any electric circuit that energizes signaling equipment (NEC Article 100).

Table II

Table II has only one category of electrical service and that is 2001 volts and over for types MV and MC cables both single and multiconductor. Type MV is a single or multiconductor solid dielectric insulated cable rated 2001 volts or higher (NEC Article 326).

Type MC cable is a factory assembly of one or more conductors, each individually insulated and enclosed in a metallic sheath or interlocking tape, or a smooth or corrugated tube (NEC Article 334). Cables other than Types MV and MC can be installed provided they are "specifically approved for installation in cable trays."

Table III

Table III covers 3, 4 and 6 inch ventilated cable channels.

| Tray Sizing Procedure | | |
|---|---------------------------|-----------|
| Step 1. Select proper cable tray table below based on cable voltage and tray type. | | |
| Cable Voltage | Cable Tray Type | Use: |
| 2000 Volts or less | Ladder, Cable Tray | Table I |
| 2001 Volts or more | Ladder, Cable Tray | Table II |
| 2001 Volts or less | Cable Channel, ventilated | Table III |

How To Size Cable Tray

Tables I - Ladder Cable Tray - for cables rated 2000 volts or less

For power or lighting or any mixture of power, lighting, control or signal cables:

1. Multiconductor Cable

| | | |
|---------------------------------|----------------------------|------------------|
| Conductor sizes 4/0 and larger* | tray width \geq Sd | NEC 318-9(a) (1) |
| Conductor sizes 3/0 and smaller | tray width \geq 0.857 Sa | NEC 318-9(a) (2) |

Example: Calculate width of cable tray required for the following Type TC Cables.

| | | | | | |
|----|-----|-----------|-----------|-----------------|--------------------------|
| 6 | 4/c | 500 kcmil | Power: | Diameter = 3.14 | 6 x 3.14 = 18.84 |
| 21 | 4/c | #8 AWG | Lighting: | Area = 0.407 | .857 (21 x 0.407) = 7.32 |
| 20 | 5/c | #12 AWG | Control: | Area = 0.170 | .857 (20 x 0.170) = 2.91 |
| | | | | | <u>29.07</u> |

Solution: Use 30 inch wide tray

2. Single Conductor Cable

| | | |
|--|-----------------------------|-------------------|
| Conductor sizes 250 MCM thru 900 MCM† only | tray width \geq 0.023 Sa* | NEC 318-10(a) (2) |
| Conductor sizes 3/0 and smaller | tray width \geq 0.857 Sa | NEC 318-10(a) (4) |

Example: Calculate width of cable tray required for the following Type THW Wires.

| | | | | | |
|---|-----|-----------|--------|------------------|------------------------|
| 6 | 1/c | 4/0 AWG | Power: | Diameter = 0.710 | (6 x 0.71) = 4.26 |
| 9 | 1/c | 500 kcmil | Power: | Area = 0.83 | .923 (9 x 0.83) = 6.89 |
| 6 | 1/c | 250 kcmil | Power: | Area = 0.49 | .923 (6 x 0.49) = 2.71 |
| | | | | | <u>13.86</u> |

Solution: Use 18 inch wide tray

3. Mixture of Single and Multiconductor Cable

Example: Calculate width of cable tray required for the following mix of cables. Use guidelines from (1) & (2) above.

| | | | | | | |
|----|-----|-----------|----------|-----------|-----------------|-------------------------|
| 2 | 3/c | 250 kcmil | Type MC | Power: | Diameter = 1.84 | 2 x 1.84 = 3.68 |
| 12 | 4/c | #8 AWG | Type TC | Lighting: | Area = 0.41 | .857 (12 x 0.41) = 4.22 |
| 60 | 4/c | #12 AWG | Type TC | Control: | Area = 0.12 | .857 (60 x 0.12) = 6.17 |
| 4 | 1/c | 1/0AWG | Type THW | Power: | Diameter = 0.55 | (4 x 0.55) = 2.20 |
| 6 | 1/c | 500kc mil | Type THW | Power: | Area = 0.83 | .923 (6 x 0.83) = 4.60 |
| | | | | | <u>20.87</u> | |

Solution: Use 24 inch wide tray

For control and/or signal duty cable only:

1. Multiconductor Cable

$$\text{tray width} \geq \frac{2Sa}{D} \quad \text{NEC 318-9(b)}$$

All conductor sizes**

Example: Calculate width of cable tray required for the following Type TC Cables in 4 inch deep tray.

| | | | | | |
|----|------|--------|----------|-------------|-------------------------|
| 24 | 16/c | 16 AWG | Control: | Area = 0.29 | 2(24 x 0.29) ÷ 4 = 3.48 |
| 42 | 4/c | 12 AWG | Control: | Area = 0.13 | 2(42 x 0.13) ÷ 4 = 2.73 |
| 18 | 4/c | 10 AWG | Control: | Area = 0.20 | 2(18 x 0.20) ÷ 4 = 1.80 |
| | | | | | <u>8.01</u> |

Solution: Use 24 inch wide tray

* The 4/0 and larger cable shall be installed in a single layer and no other cables shall be placed on them.

** For computation only depth D can not exceed 6 inches.

† For 1000 MCM and larger single conductor cable, refer to NEC 318-10(a)1 for sizing information.

Sd = the sum of the diameters, in inches, of all cables in the same ladder cable tray.

Sa = the sum of the cross-sectional areas, in square inches, of all cables in the same ladder cable tray.

How To Size Cable Tray

Table II - Ladder - for cables rated 2000 volts or less

For MV or MC cables:

1. Mixture of Single and Multiconductor Cable

NEC 318-12

All conductor sizes† tray width \geq Sd

Example: Calculate width of cable tray required for the following cables.

| | | | | | | |
|----|-----|-----------|---------|------------|------|--------------------------|
| 4 | 1/c | 500 kcmil | Type MV | Diameter = | 1.05 | $4 \times 1.05 = 4.20$ |
| 10 | 3/c | 2/0 AWG | Type MC | Diameter = | 1.55 | $10 \times 1.55 = 15.50$ |
| 4 | 3/c | 4/0 AWG | Type MV | Diameter = | 1.78 | $4 \times 1.78 = 7.12$ |
| | | | | | | 26.82 |

Solution: Use 30 inch wide tray

Table III - Cable Channel, Ventilated - for cables rated 2000 volts or less

For power, lighting, control and/or signal duty cables:

1. Multiconductor Cable (all size cables)

NEC 318-9(E)

| | 3 inch wide | 4 inch wide | 6 inch wide |
|--------------------|-----------------------------|-----------------------------|-----------------------------|
| One cable only | $S_a \leq 2.3 \text{ in}^2$ | $S_a \leq 4.5 \text{ in}^2$ | $S_a \leq 7.0 \text{ in}^2$ |
| Two or more cables | $S_a \leq 1.3 \text{ in}^2$ | $S_a \leq 2.5 \text{ in}^2$ | $S_a \leq 3.8 \text{ in}^2$ |

Example: Calculate width of cable channel required for the following Type TC Cables.

| | | | |
|---|-----|-----------|---|
| 1 | 3/c | 1/0 AWG | Area = 1.17 which is less than 1.3. Use 3 inch wide. |
| 1 | 4/c | 300 kcmil | Area = 3.77 which is less than 4.5. Use 3 inch wide. |
| 6 | 4/c | #10 AWG | Area = $6 \times 0.20 = 1.20$ which is less than 1.3. Use 3 inch wide. |
| 2 | 3/c | 1/0 AWG | Area = $2 \times 1.17 = 2.34$ which is less than 2.5. Use 4 inch wide. |

2. Single Conductor (1/0 AWG or larger)

NEC 318-10(b)

| | 3 inch wide | 4 inch wide | 6 inch wide |
|----------------------|----------------|----------------|----------------|
| Any number of cables | $S_d \leq 3.0$ | $S_d \leq 4.0$ | $S_d \leq 6.0$ |

Example: Type THW Cables.

| | | | | |
|---|-----|-----------|----------|--|
| 3 | 1/c | 500 kcmil | Type THW | Diameter = $3 \times 1.029 = 3.09$ which is less than 4.0. Use 4 inch wide. |
| 8 | 1/c | 4/0 kcmil | Type THW | Diameter = $8 \times 0.71 = 5.68$ which is less than 6.0. Use 6 inch wide. |

† Cables shall be installed in a single layer. Where single conductor cables are triplexed, quadruplexed or bound together in circuit groups, the sum of the diameters of the single conductors shall not exceed the cable tray width and these groups shall be installed in single layer arrangement.

Sd = the sum of the diameters, in inches, of all cables in the same ladder cable tray.

Sa = the sum of the cross-sectional areas, in square inches, of all cables in the same ladder cable tray.

Covers (Derating)

When cable trays are continuously covered for more than six feet with solid unventilated covers, the ampacity of the installed cables must be reduced per NEC-1993.

2000 volts or less

- MULTICONDUCTOR CABLES
 - use 95% of tables 310-16 and 310-18
- SINGLE CONDUCTOR CABLES
 - 600 MCM and larger use 70% of tables 310-17 and 310-19
 - 1/0 AWG thru 500 kc mil use 60% of tables 310-17 and 310-19

2001 volts and over

- MULTICONDUCTOR CABLES
 - use 95% of tables 310-75 and 310-76
- SINGLE CONDUCTOR CABLES
 - use 70% of tables 310-69 and 310-70

Cross-Sectional Area

Rarely is the cross-sectional area of a multiconductor cable given in manufacturers literature or the National Electrical Code. To calculate the cross-sectional area simply square the diameter and multiply by 0.7854. The diameter used in the calculations is the overall outside diameter (O.D.) of the cable including insulation and/or armor.

Cross Sectional Area (Square Inches) = $0.7854 (\text{O.D.})^2$

Multipliers Used in Tables

The multipliers used in all tables are mathematical equivalents of Tables 318-9 and 318-10 of the National Electrical Code-1993.

An example can be found in column 1 of Table 318-9. The proportion of cable tray width (size inches) to allowable fill (seven square inches) is 0.857 for 3/0 and smaller multiconductor cables in ladder type trays. Therefore the product of 0.857 and the cross-sectional area of cables is the tray width.

SECTION 161xx NON-METALLIC CABLE TRAY POLYESTER, VINYL ESTER

PART 1 - GENERAL

1.01 SECTION INCLUDES

- A. The work covered under this section consists of the furnishing of all necessary labor, supervision, materials, equipment, tests and services to install complete cable tray systems as shown on the drawings.
- B. Cable tray systems are defined to include, but are not limited to straight sections of [ladder type] [vented bottom type] [solid bottom type] cable trays, bends, tees, elbows, drop-outs, supports and accessories.

1.02 REFERENCES

- A. ANSI/NFPA 70 – National Electrical Code
- B. NEMA FG 1-2002 – Non-Metallic Cable Tray Systems
- C. NEMA VE 2-2002 – Cable Tray Installation Guidelines

1.03 DRAWINGS

- A. The drawings, which constitute a part of these specifications, indicate the general route of the cable tray systems. Data presented on these drawings are as accurate as preliminary surveys and planning can determine until final equipment selection is made. Accuracy is not guaranteed and field verification, of all dimensions, routing, etc., is directed.
- B. Specifications and drawings are for assistance and guidance, but exact routing, locations, distances and levels will be governed by actual field conditions. Contractor is directed to make field surveys as part of his work prior to submitting system layout drawings.

1.04 SUBMITTALS

- A. Submittal Drawings: Submit drawings of cable tray and accessories including clamps, brackets, hanger rods, splice plate connectors, expansion joint assemblies, and fittings, showing accurately scaled components.
- B. Product Data: Submit manufacturer's data on cable tray including, but not limited to, types, materials, finishes, rung spacings, inside depths and fitting radii. For side rails and rungs, submit cross sectional properties including Section Modulus (S_x) and Moment of Inertia (I_x).

1.05 QUALITY ASSURANCE

- A. Manufacturers: Firms regularly engaged in manufacture of cable trays and fittings of types and capacities required, whose products have been in satisfactory use in similar service for not less than 5 years.
- B. NEMA Compliance: Comply with NEMA Standards Publication Number FG-1, "Non-Metallic Cable Tray Systems".
- C. NEC Compliance: Comply with NEC, as applicable to construction and installation of cable tray and cable channel systems (Article 318, NEC).

1.06 DELIVERY, STORAGE AND HANDLING

- A. Deliver cable tray systems and components carefully to avoid breakage, denting and scoring finishes. Do not install damaged equipment.
- B. Store cable trays and accessories in original cartons and in clean dry space; protect from weather and construction traffic. Wet materials should be unpacked and dried before storage.

continued on page 317

PART 2 - PRODUCTS

2.01 ACCEPTABLE MANUFACTURERS

- A. Subject to compliance with these specifications, cable tray systems shall be as manufactured by Cooper B-Line, Inc. [or engineer approved equal].

2.02 CABLE TRAY SECTIONS AND COMPONENTS

- A. General: Except as otherwise indicated, provide non-metallic cable trays, of types, classes, and sizes indicated; with splice plates, bolts, nuts and washers for connecting units. Construct units with rounded edges and smooth surfaces; in compliance with applicable standards; and with the following additional construction features. Cable tray shall be installed according to the latest revision of NEMA VE 2.
- B. Material and Finish: Straight section structural elements; side rails, rungs and splice plates shall be pultruded from glass fiber reinforced polyester resin, vinyl ester resin or dis-stat.
- C. Pultruded shapes shall be constructed with a surface veil to insure a resin-rich surface and ultraviolet resistance.
- D. Pultruded shapes shall meet ASTM E-84, Class 1 flame rating and self-extinguishing requirements of ASTM D-635.

2.03 TYPE OF TRAY SYSTEM

- A. Ladder Cable Trays shall consist of two longitudinal members (side rails) with transverse members (rungs) mechanically fastened and adhesively bonded to the side rails. Rungs shall be spaced [6] [9] [12] inches on center. Rung spacing in radiused fittings shall be industry standard 9" and measured at the center of the tray's width. Each rung must be capable of supporting a 200 lb. concentrated load at the center of the cable tray with a safety factor of 1.5 (See following rung loading table).
- B. Ventilated Bottom Cable Trays shall consist of two longitudinal members (side rails) with rungs spaced 4" on center.
- C. Solid Bottom Cable Trays shall consist of two longitudinal members (side rails) with a solid sheet over rungs spaced on 12" centers.
- D. Cable tray loading depth shall be [2] [3] [5] inches per NEMA FG 1.
- E. Straight sections shall be supplied in standard [10 foot (3m)] [20 foot (6m)] lengths.
- F. Cable tray inside widths shall be [6] [9] [12] [18] [24] [30] [36] inches or as shown on drawings. Outside width shall not exceed inside by more than a total of 2".
- G. Straight and expansion splice plates will be of "L" shaped lay-in design with an eight-bolt pattern in 5" fill systems and four-bolt pattern in 3" and 2" fill systems. Splice plates shall be furnished with straight sections and fittings.
- H. All fittings must have a minimum radius of [12] [24] [36].
 - I. Molded fittings shall be formed with a minimum 3" tangent following the radius.
- J. Systems with 3 inch loading depth shall have 90-degree and 45-degree molded fittings in 12 inch or 24 inch radius. (Polyester and vinylester only.)
- K. Systems with 5 inch loading depth shall have 90-degree and 45-degree molded fittings in 24 inch or 36 inch radius. (Polyester and vinylester only.)
- L. All other fittings shall be of mitered construction.
- M. Dimension tolerances will be per NEMA FG 1.

continued on page 318

Fiberglass - Recommended Tray Specifications

2.04 LOADING CAPACITIES

A. Cable trays shall meet NEMA class designation: [8C] [12C] [20B] [20C].

Or

A. Cable tray shall be capable of carrying a uniformly distributed load of _____ lbs./ft on a _____ foot support span with a safety factor of 1.5 when supported as a simple span and tested per NEMA VE 1 Section 5.2.

PART 3 - EXECUTION

3.01 INSTALLATION

- A. Install cable trays as indicated: Installation shall be in accordance with equipment manufacturer's instructions, and with recognized industry practices to ensure that cable tray equipment comply with requirements of NEC and applicable portions of NFPA 70B. Reference NEMA VE 2 for general cable tray installation guidelines.
- B. Coordinate cable tray with other electrical work as necessary to properly integrate installation of cable tray work with other work.
- C. Provide sufficient space encompassing cable trays to permit access for installing and maintaining cables.
- D. Cable tray fitting supports shall be located such that they meet the strength requirements of straight sections. Install fitting supports per NEMA VE 2 guidelines, or in accordance with manufacturer's instructions.

3.02 TESTING

- A. Upon request manufacturer shall provide test reports witnessed by an independent testing laboratory of the "worst case" loading conditions outlined in this specification and performed in accordance with the latest revision of NEMA FG 1.

SECTION 161xx

LOW SMOKE, ZERO HALOGEN, NON-METALLIC CABLE TRAY

PART 1 - GENERAL

1.01 SECTION INCLUDES

- A. The work covered under this section consists of the furnishing of all necessary labor, supervision, materials, equipment, tests and services to install complete cable tray systems as shown on the drawings.
- B. Cable tray systems are defined to include, but are not limited to straight sections of ladder type cable trays, bends, tees, elbows, drop-outs, supports and accessories.

1.02 REFERENCES

- A. ANSI/NFPA 70 – National Electrical Code
- B. NEMA FG 1-2002 – Non-Metallic Cable Tray Systems
- C. NEMA VE 2-2002 – Cable Tray Installation Guidelines

1.03 DRAWINGS

- A. The drawings, which constitute a part of these specifications, indicate the general route of the cable tray systems. Data presented on these drawings are as accurate as preliminary surveys and planning can determine until final equipment selection is made. Accuracy is not guaranteed and field verification, of all dimensions, routing, etc., is directed.
- B. Specifications and drawings are for assistance and guidance, but exact routing, locations, distances and levels will be governed by actual field conditions. Contractor is directed to make field surveys as part of his work prior to submitting system layout drawings.

1.04 SUBMITTALS

- A. Submittal Drawings: Submit drawings of cable tray and accessories including clamps, brackets, hanger rods, splice plate connectors, expansion joint assemblies, and fittings, showing accurately scaled components.
- B. Product Data: Submit manufacturer's data on cable tray including, but not limited to, types, materials, finishes, rung spacings, inside depths and fitting radii. For side rails and rungs, submit cross sectional properties including Section Modulus (Sx) and Moment of Inertia (Ix).

1.05 QUALITY ASSURANCE

- A. Manufacturers: Firms regularly engaged in manufacture of cable trays and fittings of types and capacities required, whose products have been in satisfactory use in similar service for not less than 5 years.
- B. NEMA Compliance: Comply with NEMA Standards Publication Number FG-1, "Non-Metallic Cable Tray Systems".
- C. NEC Compliance: Comply with NEC, as applicable to construction and installation of cable tray and cable channel systems (Article 392, NEC).

continued on page 320

Fiberglass - Recommended Tray Specifications

1.06 DELIVERY, STORAGE AND HANDLING

- A. Deliver cable tray systems and components carefully to avoid breakage, denting and scoring finishes. Do not install damaged equipment.
- B. Store cable trays and accessories in original cartons and in clean dry space; protect from weather and construction traffic. Wet materials should be unpacked and dried before storage.

PART 2 - PRODUCTS

2.01 ACCEPTABLE MANUFACTURERS

- A. Subject to compliance with these specifications, cable tray systems shall be part number **24FT09-12-240** as manufactured by Cooper B-Line, Inc. [or engineer approved equal].

2.02 CABLE TRAY SECTIONS AND COMPONENTS

- A. General: Except as otherwise indicated, provide non-metallic cable trays, of types, classes, and sizes indicated; with splice plates, bolts, nuts and washers for connecting units. Construct units with rounded edges and smooth surfaces; in compliance with applicable standards; and with the following additional construction features. Cable tray shall be installed according to the latest revision of NEMA VE 2.
- B. Material and Finish: Straight section structural elements; side rails, rungs and splice plates shall be pultruded from glass fiber reinforced zero halogen resin.
- C. Pultruded shapes shall be constructed with a surface veil to insure a resin-rich surface and ultraviolet resistance.
- D. Pultruded shapes shall meet the following criteria shown in Table 1:

Table 1

| <u>Test Performed</u> | <u>Specified Requirement</u> |
|-----------------------|------------------------------|
| Flexural Strength | 25,000 psi, Min. |
| Flexural Modulus | 1,000,000 psi, Min. |
| Tensile Strength | 17,000 psi, Min. |
| Tensile Modulus | 900,000 psi, Min. |
| Impact Strength | 25 ft-lb./in., Min. |
| Dielectric Strength | 170 volts/mil, Min. |
| Arc Resistance | 180 seconds, Min. |
| Water Absorption | 0.2%, Max. |
| Thermal Expansion | 0.000007 in./in./°F., Max. |
| Flame Spread Index | 60, Max. |
| Flame Resistance | UL 94 V-0, Min. |
| Tracking Resistance | 600 minutes, Min. at 2500V |
| Specific Optical | 200 Max. within 4 minutes |
| Smoke Density | after start of test. |

continued on page 321

SMOKE TOXICITY

| <u>Gases</u> | <u>Maximum Quantities</u> |
|--------------------|---------------------------|
| Hydrogen Chloride | 10 ppm |
| Hydrogen Bromide | 10 ppm |
| Hydrogen Cyanide | 10 ppm |
| Hydrogen Sulfide | 10 ppm |
| Vinyl Chloride | 10 ppm |
| Ammonia | 500 ppm |
| Aldehydes | 30 ppm |
| Oxides of Nitrogen | 100 ppm |
| Carbon Dioxide | 15,000 ppm |
| Carbon Monoxide | 1,000 ppm |

Fiberglass pultruded shapes are manufactured per Creative Pultrusions Inc. Fiberglass Transportation Products-130 specifications.

2.03 TYPE OF TRAY SYSTEM

- A.** Ladder Cable Trays shall consist of two longitudinal members (side rails) with transverse members (rungs) mechanically fastened and adhesively bonded to the side rails. Ladder Cable Tray shall be Cooper B-Line part number 24FT09-12-240 [or engineered approved equal]. Rung spacing in radiused fittings shall be industry standard 9" and measured at the center of the tray's width.
- B.** Straight and expansion splice plates will be of "L" shaped lay-in design with a four-bolt pattern. Splice plates shall be furnished with straight sections and fittings.
- C.** All fittings must have a minimum radius of [12] [24] [36].
- D.** All fittings shall be of mitered construction.
- E.** Dimension tolerances will be per NEMA FG 1.

2.04 LOADING CAPACITIES

- A.** Cable tray shall be capable of carrying a uniformly distributed load of _____ lbs./ft on a _____-foot support span with a safety factor of 1.5 when supported as a simple span and tested per NEMA VE 1 Section 5.2.

continued on page 322

PART 3 - EXECUTION

3.01 INSTALLATION

- A. Install cable trays as indicated: Installation shall be in accordance with equipment manufacturer's instructions, and with recognized industry practices to ensure that cable tray equipment comply with requirements of NEC and applicable portions of NFPA 70B. Reference NEMA VE 2 for general cable tray installation guidelines.
- B. Coordinate cable tray with other electrical work as necessary to properly integrate installation of cable tray work with other work.
- C. Provide sufficient space encompassing cable trays to permit access for installing and maintaining cables.
- D. Cable tray fitting supports shall be located such that they meet the strength requirements of straight sections. Install fitting supports per NEMA VE 2 guidelines, or in accordance with manufacturer's instructions.

3.02 TESTING

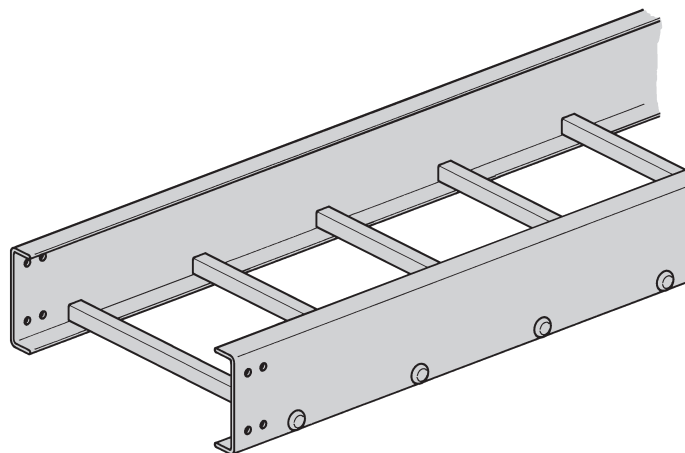
- A. Upon request manufacturer shall provide test reports witnessed by an independent testing laboratory of the "worst case" loading conditions outlined in this specification and performed in accordance with the latest revision of NEMA FG 1.

Fiberglass - Cable Tray Numbering System

To order a Fiberglass straight section of cable tray, select the appropriate size and material from the charts below and place those symbols in the sequence shown to form the complete catalog number.

Procedure:

1. Select the correct Cooper B-Line **series** Fiberglass tray using the Load Data for straight sections shown on page 324 for 3", page 325 for 4", page 326 - 328 for 6" and page 329 for 8" fittings.
2. Select the resin required. Polyester, Vinyl Ester, or Zero Halogen/Dis-Stat. Refer to Corrosion Guide on pages 306 and 307, for the effect of environmental conditions on the desired material and the effective temperature range on page 308.
3. The tray prefix is completed by inserting the **rung spacing**.
4. Select the desired **width** in inches. Refer to How To Size Cable Tray Section if width has to be computed based on number and size of cables. See pages 313 thru 315.
5. Finally select the straight section **length** in inches.
Fiberglass 120 [10'] (3m) or 240 [20'] (6m)



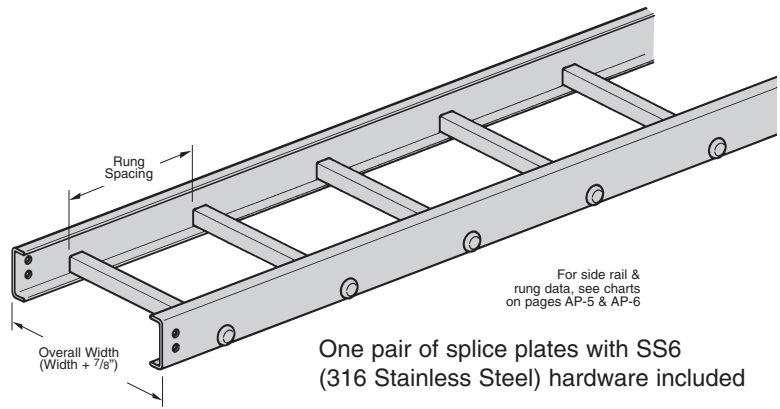
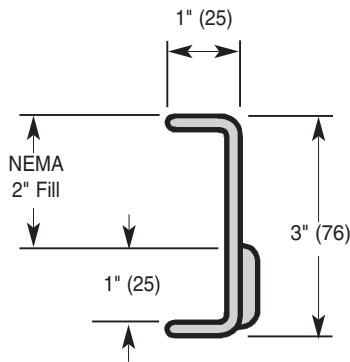
| Straight Section Part Numbering | | | | |
|---------------------------------|--------------------|-----------------|-----------|------------------|
| Example: 24 F 09 - 24 - 120 | | | | |
| Series | Material | Rung Spacing | Width | Length |
| 13 | F - Fiberglass | 6" (152) | 6" (152) | 120 [10 ft] (3m) |
| 24 | Polyester Resin | 9" (228) | 9" (228) | 240 [20 ft] (6m) |
| 36 | FV - Fiberglass | 12" (305) | 12" (305) | |
| 46 | Vinyl Ester Resin | *See page 355 | 18" (457) | |
| H46 | FA - Zero Halogen/ | for Marine Rung | 24" (609) | |
| 48 | Dis-Stat | option. | 30" (762) | |
| | | | 36" (914) | |

Note: One pair of splice plates with SS6 hardware included.

| Fitting Section Part Selector | | | | | |
|-------------------------------|--------------------|-----------|-------|----------------------------|-----------|
| Example: 4 F - 24 - 90 HB 24 | | | | | |
| Height | Material | Width | Angle | Type | Radius |
| 3" (76) | F - Fiberglass | 6" (152) | 30° | HB - Horizontal Bend | 12" (305) |
| 4" (101) | Polyester Resin | 9" (228) | 45° | HT - Horizontal Tee | 24" (609) |
| 6" (152) | FV - Fiberglass | 12" (305) | 60° | HX - Horizontal Cross | 36" (914) |
| 8" (203) | Vinyl Ester Resin | 18" (457) | 90° | VI - Vertical Inside Bend | |
| | FA - Zero Halogen/ | 24" (609) | | VO - Vertical Outside Bend | |
| | Dis-Stat | 30" (762) | | VT - Vertical Tee | |
| | | 36" (914) | | VTU - Vertical Tee, Up | |
| | | | | RR - Right Reducer | |
| | | | | LR - Left Reducer | |
| | | | | SR - Straight Reducer | |

Notes: Standard rung spacing on fittings is 9" (225).
Splice plates with SS6 hardware included.

Fiberglass - 3" Straight Section



One pair of splice plates with SS6 (316 Stainless Steel) hardware included

For side rail & rung data, see charts on pages AP-5 & AP-6

Series 13 Fiberglass Straight Section Part Numbering

Prefix

Example: **13 F 09 - 24 - 120**

| Series | Material | Type | Width | Length |
|--------|-------------------------------------|-------------------------|------------|------------------|
| 13 | ● F = Polyester | Ladder - | ● 06 = 6" | ● ① 120 = 10 ft. |
| | ● FV = Vinyl Ester | | ● 09 = 9" | ● ② 240 = 20 ft. |
| | ● FA = Zero Halogen/Dis-Stat | | ● 12 = 12" | |
| | | | ● 18 = 18" | |
| | | ● 12 = 12" rung spacing | | |
| | | ● 06 = 6" rung spacing | | |
| | | ● 09 = 9" rung spacing | | |
| | | ● 24 = 24" | | |

See page 355 for additional rung options.

① Primary Length.
② Secondary Length.
See page 39 for explanation of lengths.

| B-Line Series | Side Rail Dimensions | NEMA & CSA Classifications | Span ft | Load lbs/ft | Deflection Multiplier | Span meters | Load kg/m | Deflection Multiplier |
|---------------|----------------------|----------------------------|---------|-------------|-----------------------|-------------|-----------|-----------------------|
| 13F 13FV | | NEMA: 8C | 6 | 257 | 0.005 | 1.8 | 382 | 0.086 |
| | | | 8 | 145 | 0.016 | 2.4 | 216 | 0.267 |
| | | | 10 | 93 | 0.040 | 3.0 | 138 | 0.681 |
| | | | 12 | 64 | 0.083 | 3.7 | 95 | 1.411 |
| | | | 14 | 47 | 0.153 | 4.3 | 70 | 2.614 |

| B-Line Series | Side Rail Dimensions | NEMA & CSA Classifications | Span ft | Load lbs/ft | Span meters | Load kg/m |
|---------------|----------------------|----------------------------|---------|-------------|-------------|-----------|
| 13FA | | NEMA: 8C | 6 | 178 | 1.8 | 264 |
| | | | 8 | 100 | 2.4 | 149 |
| | | | 10 | 64 | 3.0 | 95 |
| | | | 12 | 44 | 3.7 | 65 |

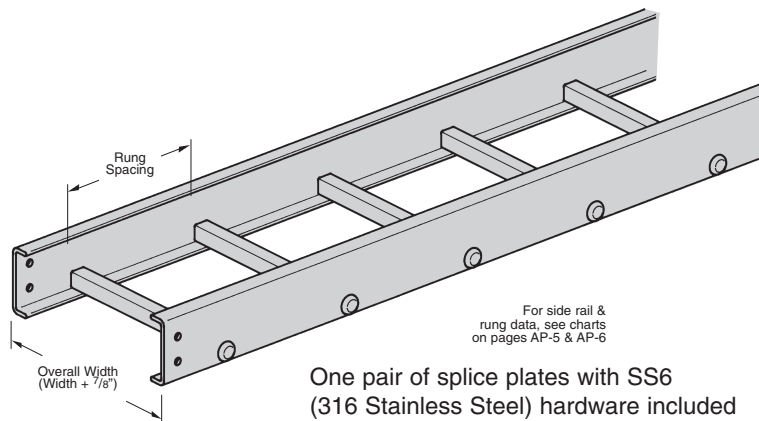
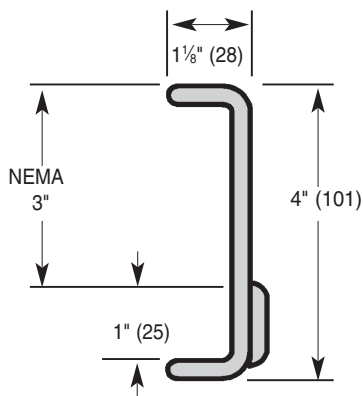
Values are based on simple beam tests per NEMA VFG-1 on 24" wide cable tray rungs spaced on 12" centers. Published load safety factor is 1.5. To convert 1.5 safety factor to 2.0, multiply published load by 0.75. To obtain mid-span deflection, multiply a load by the deflection multiplier. Cable tray must be supported on spans shorter than or equal to the length of the cable being installed.

When trays are used in continuous spans, the deflection of the tray is reduced by as much as 50%.

Dimensions shown in parentheses are in millimeters, unless otherwise specified.

● Green = Fastest shipped items ● Black = Normal lead-time items ● Red = Normally long lead-time items

Fiberglass - 4" Straight Section



Series 24 Fiberglass Straight Section Part Numbering

Prefix

Example: **24 F 09 - 24 - 120**

Series

24

Material

- **F** = Polyester
- **FV** = Vinyl Ester
- **FA** = Zero Halogen/Dis-Stat

Type

- Ladder -**
- **06** = 6" rung spacing
 - **09** = 9" rung spacing
 - **12** = 12" rung spacing

Width

- **06** = 6"
- **09** = 9"
- **12** = 12"
- **18** = 18"
- **24** = 24"
- **30** = 30"
- **36** = 36"

Length

- ^① **120** = 10 ft.
- ^② **240** = 20 ft.

24

① Primary Length.
② Secondary Length.

See page 39 for explanation of lengths.

See page 355 for additional rung options.

| B-Line Series | Side Rail Dimensions | NEMA & CSA Classifications | Span ft | Load lbs/ft | Deflection Multiplier | Span meters | Load kg/m | Deflection Multiplier |
|---------------------------|----------------------|-------------------------------|---------|-------------|-----------------------|-------------|-----------|-----------------------|
| 24F 24FV | | NEMA: 12C CSA: E-3m | 6 | 627 | 0.001 | 1.8 | 933 | 0.023 |
| | | | 8 | 353 | 0.004 | 2.4 | 525 | 0.074 |
| | | | 10 | 226 | 0.011 | 3.0 | 336 | 0.182 |
| | | | 12 | 157 | 0.022 | 3.7 | 233 | 0.378 |

| B-Line Series | Side Rail Dimensions | NEMA & CSA Classifications | Span ft | Load lbs/ft | Span meters | Load kg/m |
|---------------|----------------------|-------------------------------|---------|-------------|-------------|-----------|
| 24FA | | NEMA: 12C CSA: E-3m | 6 | 400 | 1.8 | 595 |
| | | | 8 | 226 | 2.4 | 336 |
| | | | 10 | 144 | 3.0 | 214 |
| | | | 12 | 100 | 3.7 | 149 |

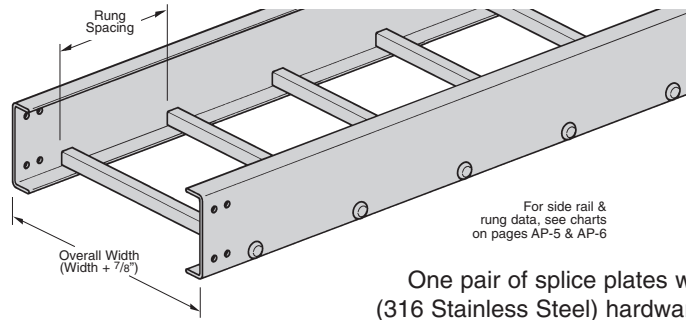
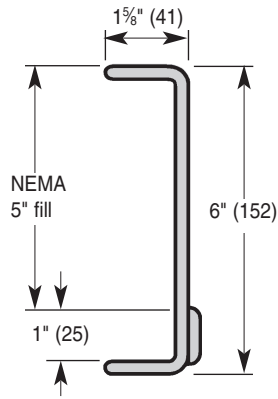
Values are based on simple beam tests per NEMA VFG-1 on 36" wide cable tray rungs spaced on 12" centers. Published load safety factor is 1.5. To convert 1.5 safety factor to 2.0, multiply published load by 0.75. To obtain mid-span deflection, multiply a load by the deflection multiplier. Cable tray must be supported on spans shorter than or equal to the length of the cable being installed.

When trays are used in continuous spans, the deflection of the tray is reduced by as much as 50%.

Dimensions shown in parentheses are in millimeters, unless otherwise specified.

● Green = Fastest shipped items ● Black = Normal lead-time items ● Red = Normally long lead-time items

Fiberglass - 6" Straight Section



One pair of splice plates with SS6 (316 Stainless Steel) hardware included

For side rail & rung data, see charts on pages AP-5 & AP-6

Series 36 Fiberglass Straight Section Part Numbering

Prefix

Example: **36 F 09 - 24 - 120**

| Series | Material | Type | Width | Length | |
|--------|------------------------------|---|------------|------------------|----|
| 36 | ● F = Polyester | Ladder - ● 06 = 6" rung spacing ● 09 = 9" rung spacing ● 12 = 12" rung spacing | ● 06 = 6" | ● ① 120 = 10 ft. | 36 |
| | ● FV = Vinyl Ester | | ● 09 = 9" | ● ② 240 = 20 ft. | |
| | ● FA = Zero Halogen/Dis-Stat | | ● 12 = 12" | | |
| | | | ● 18 = 18" | | |
| | | | ● 24 = 24" | | |
| | | | ● 30 = 30" | | |
| | | | ● 36 = 36" | | |

See page 355 for additional rung options.

See page 39 for explanation of lengths.

| B-Line Series | Side Rail Dimensions | NEMA & CSA Classifications | Span ft | Load lbs/ft | Deflection Multiplier | Span meters | Load kg/m | Deflection Multiplier |
|---------------|----------------------|----------------------------|---------|-------------|-----------------------|-------------|-----------|-----------------------|
| 36F 36FV | | NEMA: 20B CSA: E-6m | 12 | 246 | 0.006 | 3.7 | 367 | 0.104 |
| | | | 14 | 181 | 0.011 | 4.3 | 269 | 0.193 |
| | | | 16 | 139 | 0.019 | 4.9 | 206 | 0.330 |
| | | | 18 | 109 | 0.031 | 5.5 | 163 | 0.528 |
| | | | 20 | 89 | 0.047 | 6.1 | 132 | 0.811 |

| B-Line Series | Side Rail Dimensions | NEMA & CSA Classifications | Span ft | Load lbs/ft | | Span meters | Load kg/m | |
|---------------|----------------------|----------------------------|---------|-------------|--|-------------|-----------|--|
| 36FA | | NEMA: 20B CSA: E-6m | 12 | 208 | | 3.7 | 309 | |
| | | | 14 | 153 | | 4.3 | 227 | |
| | | | 16 | 117 | | 4.9 | 174 | |
| | | | 18 | 93 | | 5.5 | 138 | |
| | | | 20 | 75 | | 6.1 | 111 | |

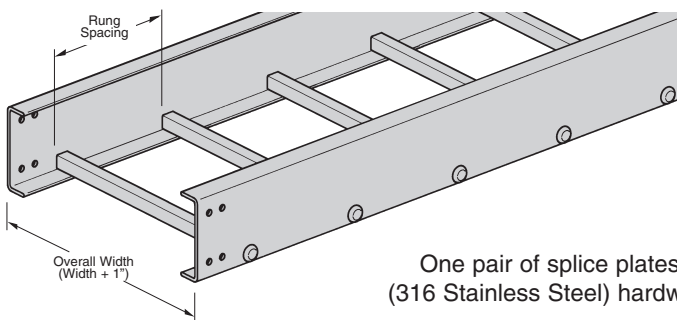
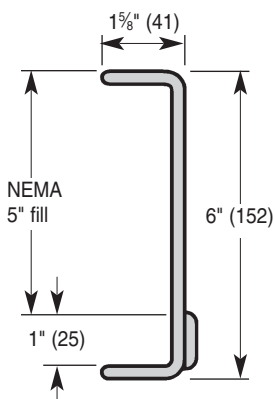
Values are based on simple beam tests per NEMA VFG-1 on 36" wide cable tray rungs spaced on 12" centers. Published load safety factor is 1.5. To convert 1.5 safety factor to 2.0, multiply published load by 0.75. To obtain mid-span deflection, multiply a load by the deflection multiplier. Cable tray must be supported on spans shorter than or equal to the length of the cable being installed.

When trays are used in continuous spans, the deflection of the tray is reduced by as much as 50%.

Dimensions shown in parentheses are in millimeters, unless otherwise specified.

● Green = Fastest shipped items ● Black = Normal lead-time items ● Red = Normally long lead-time items

Fiberglass - 4" Straight Section



One pair of splice plates with SS6 (316 Stainless Steel) hardware included

Series 46 Fiberglass Straight Section Part Numbering

Prefix

Example: **H46 F 09 - 24 - 120**

| Series | Material | Type | Width | Length | |
|--------|----------------------------------|---|------------|------------------|----|
| 46 | ● F = Polyester | Ladder - ● 06 = 6" rung spacing ● 09 = 9" rung spacing ● 12 = 12" rung spacing | ● 06 = 6" | ● ① 120 = 10 ft. | 46 |
| | ● FV = Vinyl Ester | | ● 09 = 9" | ● ② 240 = 20 ft. | |
| | ● FA = Zero Halogen/ Dis-Stat | | ● 12 = 12" | | |
| | | | ● 18 = 18" | | |
| | | | ● 24 = 24" | | |
| | | | ● 30 = 30" | | |
| | | | ● 36 = 36" | | |

① Primary Length.
② Secondary Length.

See page 355 for additional rung options.

See page 39 for explanation of lengths.

| B-Line Series | Side Rail Dimensions | NEMA & CSA Classifications | Span ft | Load lbs/ft | Deflection Multiplier | Span meters | Load kg/m | Deflection Multiplier |
|---------------|----------------------|----------------------------|---------|-------------|-----------------------|-------------|-----------|-----------------------|
| 46F 46FV | | NEMA: 20C+ CSA: E-6m | 12 | 393 | 0.005 | 3.7 | 584 | 0.079 |
| | | | 14 | 288 | 0.009 | 4.3 | 429 | 0.145 |
| | | | 16 | 221 | 0.015 | 4.9 | 329 | 0.246 |
| | | | 18 | 174 | 0.023 | 5.5 | 260 | 0.396 |
| | | | 20 | 141 | 0.035 | 6.1 | 210 | 0.605 |

| B-Line Series | Side Rail Dimensions | NEMA & CSA Classifications | Span ft | Load lbs/ft | | Span meters | Load kg/m | |
|---------------|----------------------|----------------------------|---------|-------------|--|-------------|-----------|--|
| 46FA | | NEMA: 20C+ CSA: E-6m | 12 | 278 | | 3.7 | 413 | |
| | | | 14 | 204 | | 4.3 | 303 | |
| | | | 16 | 156 | | 4.9 | 232 | |
| | | | 18 | 123 | | 5.5 | 183 | |
| | | | 20 | 100 | | 6.1 | 149 | |

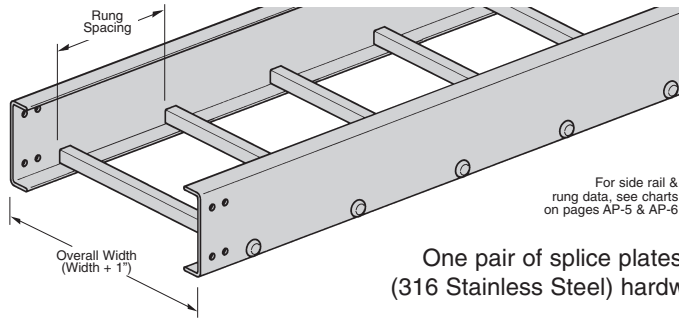
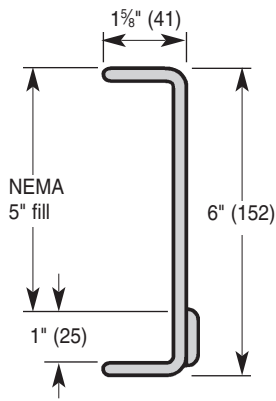
Values are based on simple beam tests per NEMA VFG-1 on 36" wide cable tray rungs spaced on 12" centers. Published load safety factor is 1.5. To convert 1.5 safety factor to 2.0, multiply published load by 0.75. To obtain mid-span deflection, multiply a load by the deflection multiplier. Cable tray must be supported on spans shorter than or equal to the length of the cable being installed.

When trays are used in continuous spans, the deflection of the tray is reduced by as much as 50%.

Dimensions shown in parentheses are in millimeters, unless otherwise specified.

● Green = Fastest shipped items ● Black = Normal lead-time items ● Red = Normally long lead-time items

Fiberglass - 6" Straight Section



For side rail & rung data, see charts on pages AP-5 & AP-6

One pair of splice plates with SS6 (316 Stainless Steel) hardware included

Series H46 Fiberglass Straight Section Part Numbering

Prefix

Example: **H46 F 09 - 24 - 120**

| Series | Material | Type | Width | Length |
|------------|-------------------------------------|-------------------|--------------------------------|-------------------------|
| H46 | ● F = Polyester | Ladder - | ● 06 = 6" | ● ① 120 = 10 ft. |
| | ● FV = Vinyl Ester | | ● 09 = 9" | ● ② 240 = 20 ft. |
| | ● FA = Zero Halogen/Dis-Stat | | ● 12 = 12" rung spacing | |
| | | | ● 18 = 18" | |
| | | ● 24 = 24" | | |
| | | ● 30 = 30" | | |
| | | ● 36 = 36" | | |

See page 355 for additional rung options.

See page 39 for explanation of lengths.

| B-Line Series | Side Rail Dimensions | NEMA & CSA Classifications | Span ft | Load lbs/ft | Deflection Multiplier | Span meters | Load kg/m | Deflection Multiplier |
|-----------------------|----------------------|----------------------------|---------|-------------|-----------------------|-------------|-----------|-----------------------|
| H46F H46FV | | NEMA: 20C+ CSA: E-6m | 12 | 424 | 0.005 | 3.7 | 631 | 0.079 |
| | | | 14 | 312 | 0.009 | 4.3 | 464 | 0.144 |
| | | | 16 | 239 | 0.015 | 4.9 | 355 | 0.248 |
| | | | 18 | 188 | 0.023 | 5.5 | 280 | 0.396 |
| | | | 20 | 153 | 0.035 | 6.1 | 227 | 0.608 |

| B-Line Series | Side Rail Dimensions | NEMA & CSA Classifications | Span ft | Load lbs/ft | Span meters | Load kg/m |
|---------------|----------------------|----------------------------|---------|-------------|-------------|-----------|
| H46FA | | NEMA: 20C+ CSA: E-6m | 12 | 306 | 3.7 | 455 |
| | | | 14 | 224 | 4.3 | 333 |
| | | | 16 | 172 | 4.9 | 245 |
| | | | 18 | 136 | 5.5 | 202 |
| | | | 20 | 110 | 6.1 | 163 |

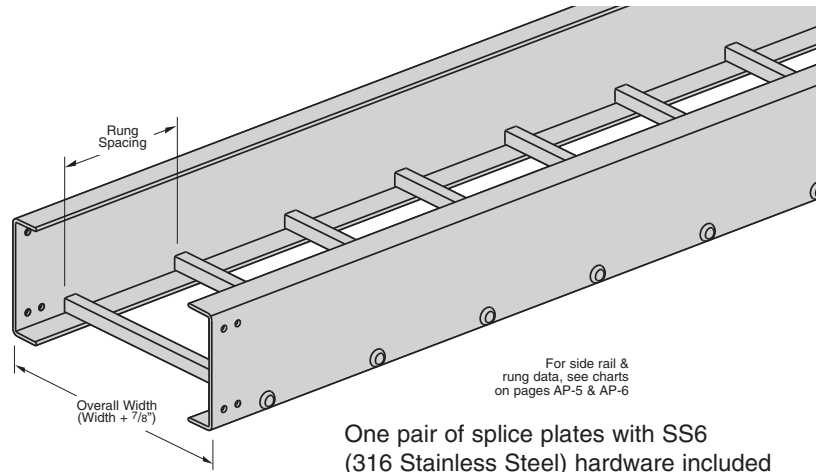
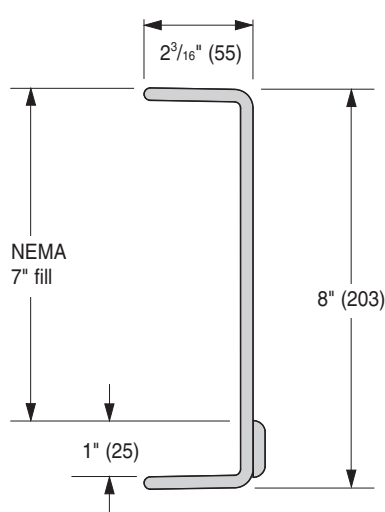
Values are based on simple beam tests per NEMA VFG-1 on 36" wide cable tray rungs spaced on 12" centers. Published load safety factor is 1.5. To convert 1.5 safety factor to 2.0, multiply published load by 0.75. To obtain mid-span deflection, multiply a load by the deflection multiplier. Cable tray must be supported on spans shorter than or equal to the length of the cable being installed.

When trays are used in continuous spans, the deflection of the tray is reduced by as much as 50%.

Dimensions shown in parentheses are in millimeters, unless otherwise specified.

● Green = Fastest shipped items ● Black = Normal lead-time items ● Red = Normally long lead-time items

Fiberglass - 8" Straight Section



One pair of splice plates with SS6 (316 Stainless Steel) hardware included

Series 48 Fiberglass Straight Section Part Numbering

Prefix

Example: **48 F 09 - 24 - 120**

| Series | Material | Type | Width | Length |
|--------|---|--|--|--|
| 48 | <ul style="list-style-type: none"> ● F = Polyester ● FV = Vinyl Ester ● FA = Zero Halogen Dis-Stat | Ladder - <ul style="list-style-type: none"> ● 06 = 6" rung spacing ● 09 = 9" rung spacing ● 12 = 12" rung spacing | <ul style="list-style-type: none"> ● 06 = 6" ● 09 = 9" ● 12 = 12" ● 18 = 18" ● 24 = 24" ● 30 = 30" ● 36 = 36" | <ul style="list-style-type: none"> ● ① 120 = 10 ft. ● ② 240 = 20 ft. <p>①Primary Length. ②Secondary Length.</p> <p>See page 39 for explanation of lengths.</p> |

See page 355 for additional rung options.

| B-Line Series | Side Rail Dimensions | NEMA & CSA Classifications | Span ft | Load lbs/ft | Deflection Multiplier | Span meters | Load kg/m | Deflection Multiplier |
|---------------|----------------------|----------------------------|---------|-------------|-----------------------|-------------|-----------|-----------------------|
| 48F 48FV | | NEMA: 20C+ | 12 | 348 | 0.003 | 3.7 | 518 | 0.052 |
| | | | 14 | 256 | 0.006 | 4.3 | 381 | 0.097 |
| | | | 16 | 196 | 0.010 | 4.9 | 291 | 0.165 |
| | | | 18 | 155 | 0.015 | 5.5 | 231 | 0.210 |
| | | | 20 | 125 | 0.024 | 6.1 | 187 | 0.401 |
| 48FA | | NEMA: 20C+ | 12 | 278 | | 3.7 | 413 | |
| | | | 14 | 204 | | 4.3 | 303 | |
| | | | 16 | 156 | | 4.9 | 232 | |
| | | | 18 | 123 | | 5.5 | 183 | |
| | | | 20 | 100 | | 6.1 | 149 | |

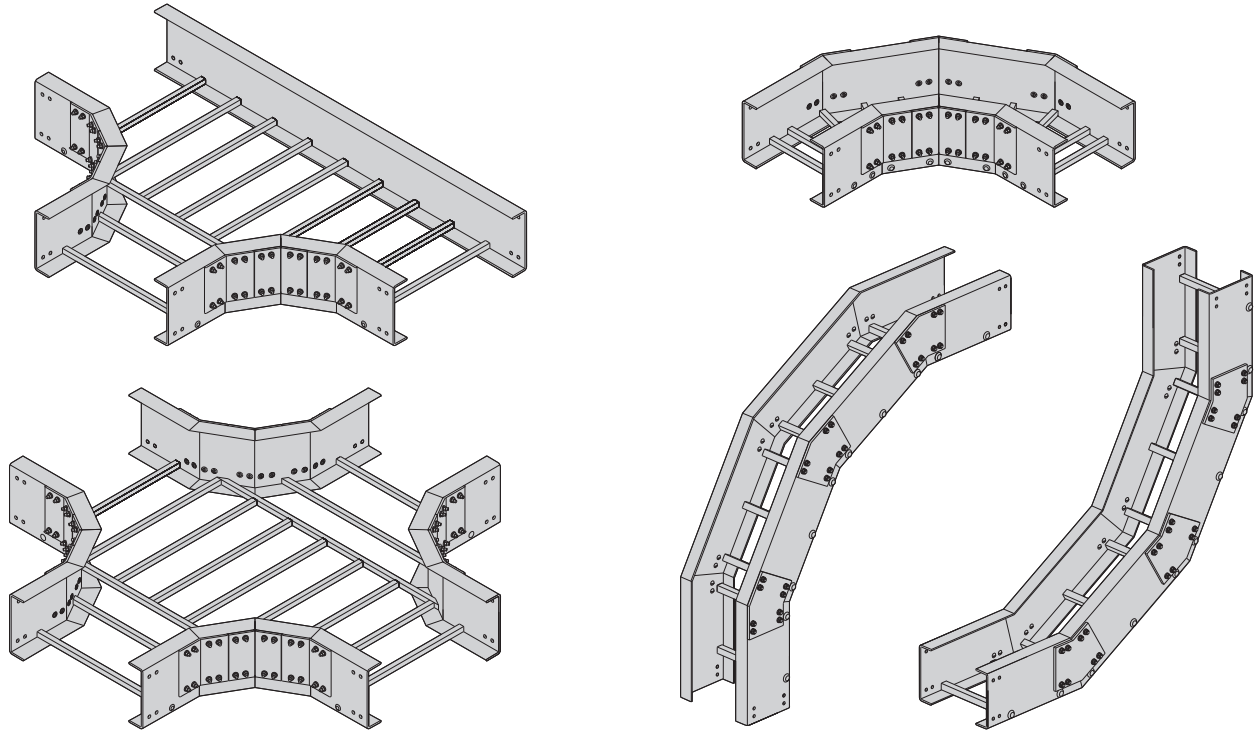
Values are based on simple beam tests per NEMA VFG-1 on 36" wide cable tray rungs spaced on 12" centers. Published load safety factor is 1.5. To convert 1.5 safety factor to 2.0, multiply published load by 0.75. To obtain mid-span deflection, multiply a load by the deflection multiplier. Cable tray must be supported on spans shorter than or equal to the length of the cable being installed.

When trays are used in continuous spans, the deflection of the tray is reduced by as much as 50%.

Dimensions shown in parentheses are in millimeters, unless otherwise specified.

● Green = Fastest shipped items ● Black = Normal lead-time items ● Red = Normally long lead-time items

Fiberglass - Fitting Numbering System



Series 24 Fiberglass Fittings Part Numbering

Prefix
 Example: **4 F - 12 - 90 HB 12** (9" rung spacing is standard)

Height

- 3 = 3" **
- 4 = 4"
- 6 = 6"
- 8 = 8"

Material

- F = Polyester
- FV = Vinyl Ester
- FA = Zero Halogen Dis-Stat

Width

- 06 = 6" (152)
- 09 = 9" (228)
- 12 = 12" (305)
- 18 = 18" (457)
- 24 = 24" (609)
- 30 = 30" (762)
- 36 = 36" (914)

Angle

- 45 = 45°
- 90 = 90°

Type

- HB = Horizontal Bend
- HT = Horizontal Tee
- HX = Horizontal Cross
- VI = Vertical Inside Bend
- VO = Vertical Outside Bend
- LR = Left Reducer
- RR = Right Reducer
- SR = Straight Reducer
- VT = Vertical Tee Down
- VTU = Vertical Tee Up

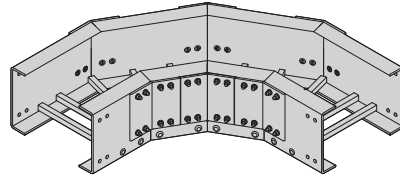
Radius

- 12 = 12" (305)
- 24 = 24" (609)
- 36 = 36" (914)

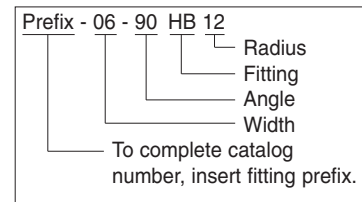
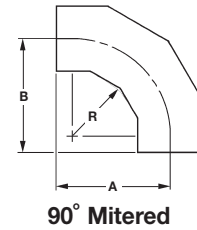
** 3" deep fittings are only available in 6" thru 24" widths and 12" radius only.

● Green = Fastest shipped items ● Black = Normal lead-time items ● Red = Normally long lead-time items

Horizontal Bend 90° (HB)



One pair of splice plates with SS6 hardware included.



(Prefix) See page 330 for catalog number prefix.
Dimensions for reference only, when critical contact factory.

| - R - Bend Radius | | Tray Width | | 90° Horizontal Bend - Mitered Dimensions | | | | |
|-------------------------|-----|---------------|-----|---|---------------------------------|------|---------------------------------|------|
| | | | | Catalog No. | A | | B | |
| in. | mm | in. | mm | | in. | mm | in. | mm |
| 12 | 305 | 6 | 152 | (Prefix)-06-90HB12 | 20% | 517 | 20% | 517 |
| | | 9 | 228 | (Prefix)-09-90HB12 | 21 ⁷ / ₈ | 555 | 21 ⁷ / ₈ | 555 |
| | | 12 | 305 | (Prefix)-12-90HB12 | 22 ³ / ₄ | 578 | 22 ³ / ₄ | 578 |
| | | 18 | 457 | (Prefix)-18-90HB12 | 26 ⁵ / ₁₆ | 668 | 26 ⁵ / ₁₆ | 668 |
| | | 24 | 609 | (Prefix)-24-90HB12 | 29 ³ / ₈ | 746 | 29 ³ / ₈ | 746 |
| | | 30 | 762 | (Prefix)-30-90HB12 | 32 ³ / ₈ | 822 | 32 ³ / ₈ | 822 |
| | | 36 | 914 | (Prefix)-36-90HB12 | 35% | 898 | 35% | 898 |
| 24 | 609 | 6 | 152 | (Prefix)-06-90HB24 | 32 ¹ / ₂ | 826 | 32 ¹ / ₂ | 826 |
| | | 9 | 228 | (Prefix)-09-90HB24 | 34 | 864 | 34 | 864 |
| | | 12 | 305 | (Prefix)-12-90HB24 | 35 ¹ / ₂ | 902 | 35 ¹ / ₂ | 902 |
| | | 18 | 457 | (Prefix)-18-90HB24 | 38 ¹ / ₂ | 978 | 38 ¹ / ₂ | 978 |
| | | 24 | 609 | (Prefix)-24-90HB24 | 41 ¹ / ₂ | 1054 | 41 ¹ / ₂ | 1054 |
| | | 30 | 762 | (Prefix)-30-90HB24 | 44 ¹ / ₂ | 1130 | 44 ¹ / ₂ | 1130 |
| | | 36 | 914 | (Prefix)-36-90HB24 | 47 ¹ / ₂ | 1207 | 47 ¹ / ₂ | 1207 |
| 36 | 914 | 6 | 152 | (Prefix)-06-90HB36 | 44 ⁵ / ₈ | 1133 | 44 ⁵ / ₈ | 1133 |
| | | 9 | 228 | (Prefix)-09-90HB36 | 46 ¹ / ₈ | 1171 | 46 ¹ / ₈ | 1171 |
| | | 12 | 305 | (Prefix)-12-90HB36 | 47 ⁵ / ₈ | 1209 | 47 ⁵ / ₈ | 1209 |
| | | 18 | 457 | (Prefix)-18-90HB36 | 50% | 1286 | 50% | 1286 |
| | | 24 | 609 | (Prefix)-24-90HB36 | 53% | 1362 | 53% | 1362 |
| | | 30 | 762 | (Prefix)-30-90HB36 | 56 ⁵ / ₈ | 1438 | 56 ⁵ / ₈ | 1438 |
| | | 36 | 914 | (Prefix)-36-90HB36 | 59 ⁵ / ₈ | 1514 | 59 ⁵ / ₈ | 1514 |

For 3" Fittings

(Tray Widths - 6" thru 24" • Radius 12" only)
Polyester, Vinyl Ester, Zero Halogen/Dis-Stat
All are mitered

For 4" Fittings

(Tray Widths - 6" thru 36" • Radius 12", 24" & 36")
Polyester, Vinyl Ester, Zero Halogen/Dis-Stat
All radius are mitered

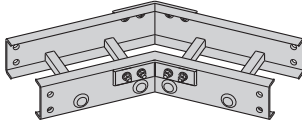
For 6" Fittings

(Tray Widths - 6" thru 36" • Radius 12", 24" & 36")
Polyester, Vinyl Ester, Zero Halogen/Dis-Stat
All radius are mitered

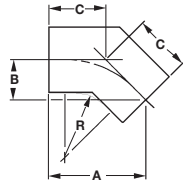
For 8" Fittings

(Tray Widths - 6" thru 36" • Radius 12", 24" & 36")
Polyester, Vinyl Ester, Zero Halogen/Dis-Stat
All radius are mitered

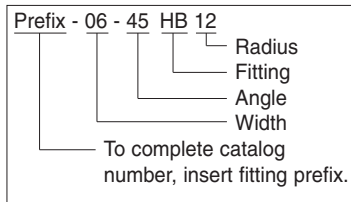
Horizontal Bend 45° (HB)



One pair of splice plates with SS6 hardware included.



45° Mitered



(Prefix) See page 330 for catalog number prefix. Dimensions for reference only, when critical contact factory.

For 3" Fittings

(Tray Widths - 6" thru 24" • Radius 12" only)
Polyester, Vinyl Ester, Zero Halogen/Dis-Stat
All are mitered

For 4" Fittings

(Tray Widths - 6" thru 36"
Radius 12", 24" & 36")
Polyester, Vinyl Ester, Zero Halogen/Dis-Stat
All radius are mitered

For 6" Fittings

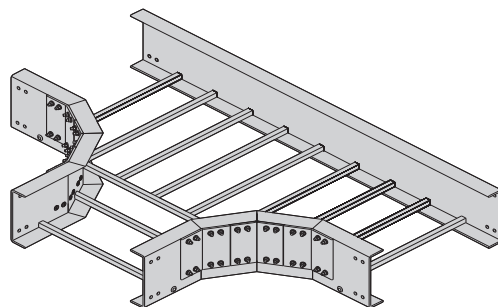
(Tray Widths - 6" thru 36"
Radius 12", 24" & 36")
Polyester, Vinyl Ester, Zero Halogen/Dis-Stat
All radius are mitered

For 8" Fittings

(Tray Widths - 6" thru 36"
Radius 12", 24" & 36")
Polyester, Vinyl Ester, Zero Halogen/Dis-Stat
All radius are mitered

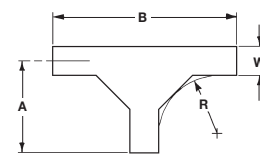
| - R - Bend Radius | | Tray Width | | 45° Horizontal Bend - Mitered Dimensions | | | | | | |
|-------------------|-----|------------|-----|--|----------------------------------|------|----------------------------------|-----|----------------------------------|-----|
| | | | | Catalog No. | A | | B | | C | |
| in. | mm | in. | mm | | in. | mm | in. | mm | in. | mm |
| 12 | 305 | 6 | 152 | (Prefix)-06-45HB12 | 22 ¹³ / ₁₆ | 579 | 9 ⁷ / ₁₆ | 240 | 13 ³ / ₈ | 340 |
| | | 9 | 228 | (Prefix)-09-45HB12 | 23 ⁷ / ₈ | 606 | 9 ⁷ / ₈ | 251 | 14 | 355 |
| | | 12 | 305 | (Prefix)-12-45HB12 | 24 ⁷ / ₈ | 632 | 10 ⁵ / ₁₆ | 262 | 14 ⁵ / ₈ | 371 |
| | | 18 | 457 | (Prefix)-18-45HB12 | 27 | 686 | 11 ³ / ₁₆ | 284 | 15 ⁷ / ₈ | 403 |
| | | 24 | 609 | (Prefix)-24-45HB12 | 29 ¹ / ₈ | 740 | 12 ⁷ / ₁₆ | 306 | 17 ¹ / ₁₆ | 433 |
| | | 30 | 762 | (Prefix)-30-45HB12 | 31 ¹ / ₄ | 794 | 12 ¹⁵ / ₁₆ | 328 | 18 ⁵ / ₁₆ | 465 |
| | | 36 | 914 | (Prefix)-36-45HB12 | 33 ³ / ₈ | 848 | 13 ¹³ / ₁₆ | 351 | 19 ⁹ / ₁₆ | 497 |
| 24 | 609 | 6 | 152 | (Prefix)-06-45HB24 | 31 ¹¹ / ₃₂ | 796 | 12 ³¹ / ₃₂ | 329 | 18 ³ / ₈ | 467 |
| | | 9 | 228 | (Prefix)-09-45HB24 | 32 ¹³ / ₃₂ | 823 | 13 ¹³ / ₃₂ | 341 | 19 | 483 |
| | | 12 | 305 | (Prefix)-12-45HB24 | 33 ¹³ / ₃₂ | 849 | 13 ²⁷ / ₃₂ | 352 | 19 ⁵ / ₈ | 498 |
| | | 18 | 457 | (Prefix)-18-45HB24 | 35 ¹⁷ / ₃₂ | 902 | 14 ²³ / ₃₂ | 374 | 20 ⁷ / ₈ | 530 |
| | | 24 | 609 | (Prefix)-24-45HB24 | 37 ²¹ / ₃₂ | 956 | 15 ¹⁹ / ₃₂ | 396 | 22 ¹ / ₁₆ | 560 |
| | | 30 | 762 | (Prefix)-30-45HB24 | 39 ²⁵ / ₃₂ | 1010 | 16 ¹⁵ / ₃₂ | 418 | 23 ⁵ / ₁₆ | 592 |
| | | 36 | 914 | (Prefix)-36-45HB24 | 41 ²⁹ / ₃₂ | 1064 | 17 ¹¹ / ₃₂ | 441 | 24 ⁹ / ₁₆ | 624 |
| 36 | 914 | 6 | 152 | (Prefix)-06-45HB36 | 39 ⁷ / ₈ | 1013 | 16 ¹ / ₂ | 419 | 23 ³ / ₈ | 594 |
| | | 9 | 228 | (Prefix)-09-45HB36 | 40 ¹⁵ / ₁₆ | 1040 | 16 ¹⁵ / ₁₆ | 430 | 23 ¹⁵ / ₁₆ | 608 |
| | | 12 | 305 | (Prefix)-12-45HB36 | 42 | 1067 | 17 ³ / ₈ | 441 | 24 ⁹ / ₁₆ | 624 |
| | | 18 | 457 | (Prefix)-18-45HB36 | 44 ¹ / ₈ | 1121 | 18 ¹ / ₄ | 463 | 25 ¹³ / ₁₆ | 655 |
| | | 24 | 609 | (Prefix)-24-45HB36 | 46 ³ / ₁₆ | 1173 | 19 ¹ / ₈ | 486 | 27 ¹ / ₁₆ | 687 |
| | | 30 | 762 | (Prefix)-30-45HB36 | 48 ⁵ / ₁₆ | 1227 | 20 | 508 | 28 ⁵ / ₁₆ | 719 |
| | | 36 | 914 | (Prefix)-36-45HB36 | 50 ⁷ / ₁₆ | 1281 | 20 ⁷ / ₈ | 530 | 29 ⁹ / ₁₆ | 751 |

Horizontal Tee (HT)

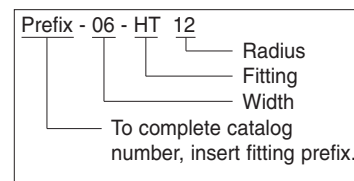


Two pair of splice plates with SS6 hardware included.

| - R - Bend Radius | | Tray Width | | Horizontal Tee - Mitered Dimensions | | | | |
|-------------------------|-----|---------------|-----|--|-----|------|------|------|
| | | | | Catalog No. | A | | B | |
| in. | mm | in. | mm | | in. | mm | in. | mm |
| 12 | 305 | 6 | 152 | (Prefix)-06-HT12 | 19¼ | 489 | 38 | 965 |
| | | 9 | 228 | (Prefix)-09-HT12 | 20¾ | 527 | 41 | 1041 |
| | | 12 | 305 | (Prefix)-12-HT12 | 22¼ | 565 | 44 | 1117 |
| | | 18 | 457 | (Prefix)-18-HT12 | 25¼ | 641 | 50 | 1270 |
| | | 24 | 609 | (Prefix)-24-HT12 | 28¼ | 717 | 56 | 1422 |
| | | 30 | 762 | (Prefix)-30-HT12 | 31¼ | 794 | 62 | 1575 |
| 24 | 609 | 6 | 152 | (Prefix)-06-HT24 | 31¼ | 794 | 62¼ | 1581 |
| | | 9 | 228 | (Prefix)-09-HT24 | 32¾ | 832 | 65¼ | 1657 |
| | | 12 | 305 | (Prefix)-12-HT24 | 34¼ | 870 | 68¼ | 1734 |
| | | 18 | 457 | (Prefix)-18-HT24 | 37¼ | 946 | 74¼ | 1886 |
| | | 24 | 609 | (Prefix)-24-HT24 | 40¼ | 1022 | 80¼ | 2038 |
| | | 30 | 762 | (Prefix)-30-HT24 | 43¼ | 1098 | 86¼ | 2191 |
| 36 | 914 | 6 | 152 | (Prefix)-06-HT36 | 43¼ | 1098 | 86½ | 2191 |
| | | 9 | 228 | (Prefix)-09-HT36 | 44¾ | 1136 | 89½ | 2273 |
| | | 12 | 305 | (Prefix)-12-HT36 | 46¼ | 1175 | 92½ | 2343 |
| | | 18 | 457 | (Prefix)-18-HT36 | 49¼ | 1251 | 98½ | 2502 |
| | | 24 | 609 | (Prefix)-24-HT36 | 52¼ | 1327 | 104½ | 2654 |
| | | 30 | 762 | (Prefix)-30-HT36 | 55¼ | 1403 | 110½ | 2807 |
| | | 36 | 914 | (Prefix)-36-HT36 | 58¼ | 1479 | 116½ | 2959 |



Mitered Tee



(Prefix) See page 330 for catalog number prefix.
Dimensions for reference only, when critical contact factory.

For 3" Fittings

(Tray Widths - 6" thru 24" • Radius 12" only)
Polyester, Vinyl Ester, Zero Halogen/Dis-Stat
All are mitered

For 4" Fittings

(Tray Widths - 6" thru 36" • Radius 12", 24" & 36")
Polyester, Vinyl Ester, Zero Halogen/Dis-Stat
All radius are mitered

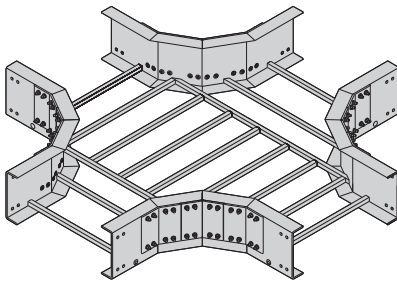
For 6" Fittings

(Tray Widths - 6" thru 36" • Radius 12", 24" & 36")
Polyester, Vinyl Ester, Zero Halogen/Dis-Stat
All radius are mitered

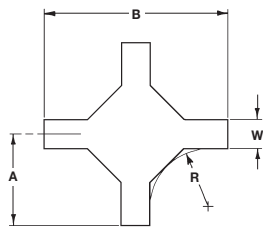
For 8" Fittings

(Tray Widths - 6" thru 36" • Radius 12", 24" & 36")
Polyester, Vinyl Ester, Zero Halogen/Dis-Stat
All radius are mitered

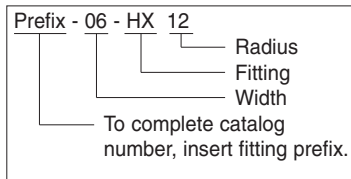
Horizontal Cross (HX)



Three pair of splice plates with SS6 hardware included.



Mitered Cross



(Prefix) See page 330 for catalog number prefix.
Dimensions for reference only, when critical contact factory.

For 3" Fittings

(Tray Widths - 6" thru 24" • Radius 12" only)
Polyester, Vinyl Ester, Zero Halogen/Dis-Stat
All are mitered

For 4" Fittings

(Tray Widths - 6" thru 36"
Radius 12", 24" & 36")
Polyester, Vinyl Ester, Zero Halogen/Dis-Stat
All radius are mitered

For 6" Fittings

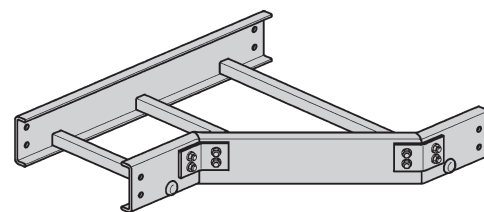
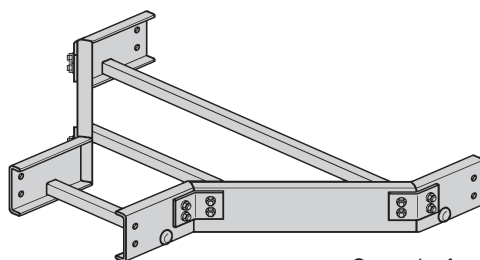
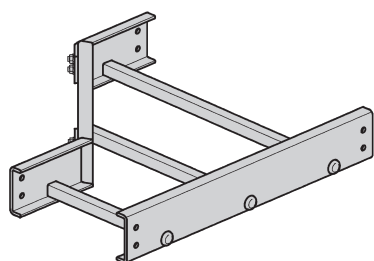
(Tray Widths - 6" thru 36"
Radius 12", 24" & 36")
Polyester, Vinyl Ester, Zero Halogen/Dis-Stat
All radius are mitered

For 8" Fittings

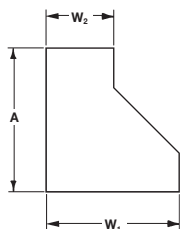
(Tray Widths - 6" thru 36"
Radius 12", 24" & 36")
Polyester, Vinyl Ester, Zero Halogen/Dis-Stat
All radius are mitered

| - R - Bend Radius | | Tray Width | | Horizontal Cross - Mitered Dimensions | | | | |
|-------------------------|-----|------------------|-----|--|------|------|------|------|
| | | | | Catalog No. | A | | B | |
| in. | mm | in. | mm | | in. | mm | in. | mm |
| 12 | 305 | 6 | 152 | (Prefix)-06-HX12 | 19¼ | 489 | 38 | 965 |
| | | 9 | 228 | (Prefix)-09-HX12 | 20¾ | 527 | 41 | 1041 |
| | | 12 | 305 | (Prefix)-12-HX12 | 22¼ | 565 | 44 | 1117 |
| | | 18 | 457 | (Prefix)-18-HX12 | 25¼ | 641 | 50 | 1270 |
| | | 24 | 609 | (Prefix)-24-HX12 | 28¼ | 717 | 56 | 1422 |
| | | 30 | 762 | (Prefix)-30-HX12 | 31¼ | 794 | 62 | 1575 |
| 24 | 609 | 6 | 152 | (Prefix)-06-HX24 | 31¼ | 794 | 62¼ | 1581 |
| | | 9 | 228 | (Prefix)-09-HX24 | 32¾ | 832 | 65¼ | 1657 |
| | | 12 | 305 | (Prefix)-12-HX24 | 34¼ | 870 | 68¼ | 1734 |
| | | 18 | 457 | (Prefix)-18-HX24 | 37¼ | 946 | 74¼ | 1886 |
| | | 24 | 609 | (Prefix)-24-HX24 | 40¼ | 1022 | 80¼ | 2038 |
| | | 30 | 762 | (Prefix)-30-HX24 | 43¼ | 1098 | 86¼ | 2191 |
| 36 | 914 | 6 | 152 | (Prefix)-06-HX36 | 43¼ | 1098 | 86½ | 2191 |
| | | 9 | 228 | (Prefix)-09-HX36 | 44¾ | 1136 | 89½ | 2273 |
| | | 12 | 305 | (Prefix)-12-HX36 | 46¼ | 1175 | 92½ | 2343 |
| | | 18 | 457 | (Prefix)-18-HX36 | 49¼ | 1251 | 98½ | 2502 |
| | | 24 | 609 | (Prefix)-24-HX36 | 52¼ | 1327 | 104½ | 2654 |
| | | 30 | 762 | (Prefix)-30-HX36 | 55¼ | 1403 | 110½ | 2807 |
| 36 | 914 | (Prefix)-36-HX36 | 58¼ | 1479 | 116½ | 2959 | | |

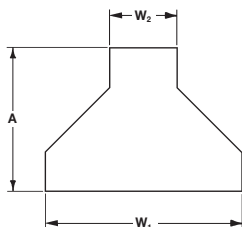
Reducers (LR) (SR) (RR)



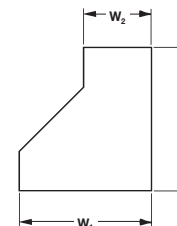
One pair of splice plates with SS6 hardware included.



Left Reducer



Straight Reducer



Right Reducer

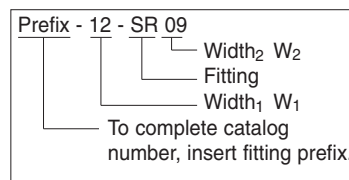
3" Fittings

(Only available in W₁ widths of 9", 12", 18" & 24")

4", 6" & 8" Fittings

(Available in all W₁ widths shown in chart)

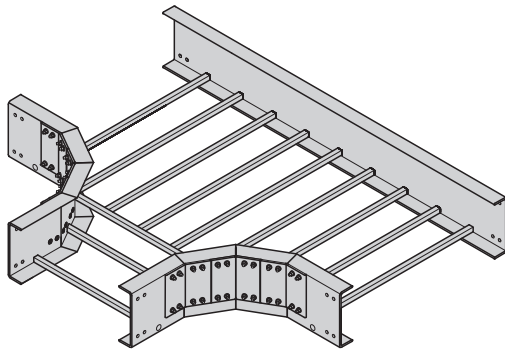
Reducers are all of mitered construction.



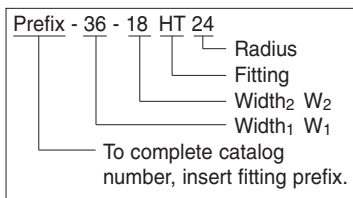
(Prefix) See page 330 for catalog number prefix.
Dimensions for reference only, when critical contact factory.

| Tray Width | | | | Left Hand Reducer | | | Straight Reducer | | | | Right Hand Reducer | | |
|----------------|-----|----------------|-----|-------------------|-----|------|------------------|-----|-----|------------------|--------------------|------|--|
| W ₁ | | W ₂ | | Catalog No. | A | | Catalog No. | A | | Catalog No. | A | | |
| in. | mm | in. | mm | | in. | mm | | in. | mm | | in. | mm | |
| 9 | 228 | 6 | 152 | (Prefix)-09-LR06 | 17½ | 444 | (Prefix)-09-SR06 | 16 | 406 | (Prefix)-09-RR06 | 17½ | 444 | |
| 12 | 305 | 6 | 152 | (Prefix)-12-LR06 | 20½ | 521 | (Prefix)-12-SR06 | 17½ | 444 | (Prefix)-12-RR06 | 20½ | 521 | |
| | | 9 | 228 | (Prefix)-12-LR09 | 17½ | 444 | (Prefix)-12-SR09 | 16 | 406 | (Prefix)-12-RR09 | 17½ | 444 | |
| 18 | 457 | 6 | 152 | (Prefix)-18-LR06 | 26½ | 673 | (Prefix)-18-SR06 | 20½ | 521 | (Prefix)-18-RR06 | 26½ | 673 | |
| | | 9 | 228 | (Prefix)-18-LR09 | 23½ | 597 | (Prefix)-18-SR09 | 19 | 482 | (Prefix)-18-RR09 | 23½ | 597 | |
| | | 12 | 305 | (Prefix)-18-LR12 | 20½ | 521 | (Prefix)-18-SR12 | 17½ | 444 | (Prefix)-18-RR12 | 20½ | 521 | |
| 24 | 609 | 6 | 152 | (Prefix)-24-LR06 | 32½ | 825 | (Prefix)-24-SR06 | 23½ | 597 | (Prefix)-24-RR06 | 32½ | 825 | |
| | | 9 | 228 | (Prefix)-24-LR09 | 29½ | 749 | (Prefix)-24-SR09 | 22 | 559 | (Prefix)-24-RR09 | 29½ | 749 | |
| | | 12 | 305 | (Prefix)-24-LR12 | 26½ | 673 | (Prefix)-24-SR12 | 20½ | 521 | (Prefix)-24-RR12 | 26½ | 673 | |
| | | 18 | 457 | (Prefix)-24-LR18 | 20½ | 521 | (Prefix)-24-SR18 | 17½ | 444 | (Prefix)-24-RR18 | 20½ | 521 | |
| 30 | 762 | 6 | 152 | (Prefix)-30-LR06 | 38½ | 978 | (Prefix)-30-SR06 | 26½ | 673 | (Prefix)-30-RR06 | 38½ | 978 | |
| | | 9 | 228 | (Prefix)-30-LR09 | 35½ | 902 | (Prefix)-30-SR09 | 25 | 635 | (Prefix)-30-RR09 | 35½ | 902 | |
| | | 12 | 305 | (Prefix)-30-LR12 | 32½ | 825 | (Prefix)-30-SR12 | 23½ | 597 | (Prefix)-30-RR12 | 32½ | 825 | |
| | | 18 | 457 | (Prefix)-30-LR18 | 26½ | 673 | (Prefix)-30-SR18 | 20½ | 521 | (Prefix)-30-RR18 | 26½ | 673 | |
| | | 24 | 609 | (Prefix)-30-LR24 | 20½ | 521 | (Prefix)-30-SR24 | 17½ | 444 | (Prefix)-30-RR24 | 20½ | 521 | |
| 36 | 914 | 6 | 152 | (Prefix)-36-LR06 | 44½ | 1130 | (Prefix)-36-SR06 | 29½ | 749 | (Prefix)-36-RR06 | 44½ | 1130 | |
| | | 9 | 228 | (Prefix)-36-LR09 | 41½ | 1054 | (Prefix)-36-SR09 | 28 | 711 | (Prefix)-36-RR09 | 41½ | 1054 | |
| | | 12 | 305 | (Prefix)-36-LR12 | 38½ | 978 | (Prefix)-36-SR12 | 26½ | 673 | (Prefix)-36-RR12 | 38½ | 978 | |
| | | 18 | 457 | (Prefix)-36-LR18 | 32½ | 825 | (Prefix)-36-SR18 | 23½ | 597 | (Prefix)-36-RR18 | 32½ | 825 | |
| | | 24 | 609 | (Prefix)-36-LR24 | 26½ | 673 | (Prefix)-36-SR24 | 20½ | 521 | (Prefix)-36-RR24 | 26½ | 673 | |
| | | 30 | 762 | (Prefix)-36-LR30 | 20½ | 521 | (Prefix)-36-SR30 | 17½ | 444 | (Prefix)-36-RR30 | 20½ | 521 | |

Horizontal Reducing Tee (HT)



Two pair of splice plates with SS6 hardware included.



(Prefix) See page 330 for catalog number prefix.
Dimensions for reference only, when critical contact factory.

For 3" Fittings

(Radius 12" only)
W1 tray widths - 9", 12", 18" & 24"
Polyester, Vinyl Ester, Zero Halogen/Dis-Stat
All are mitered

For 4" Fittings

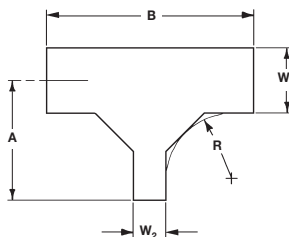
(Radius 12", 24" & 36")
W1 tray widths - 9" thru 36"
Polyester, Vinyl Ester, Zero Halogen/Dis-Stat
All radius are mitered

For 6" Fittings

(Radius 12", 24" & 36")
W1 tray widths - 9" thru 36"
Polyester, Vinyl Ester, Zero Halogen/Dis-Stat
All radius are mitered

For 8" Fittings

(Radius 12", 24" & 36")
W1 tray widths - 9" thru 36"
Polyester, Vinyl Ester, Zero Halogen/Dis-Stat
All radius are mitered



Mitered

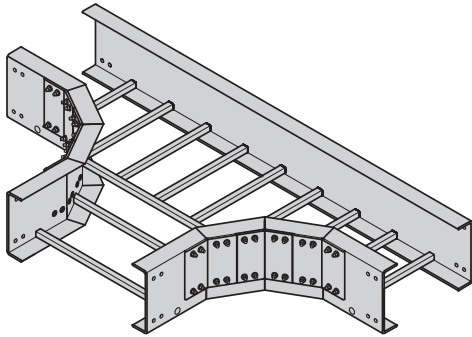
(For dimensions, see chart on page 337)

Horizontal Reducing Tee (HT)

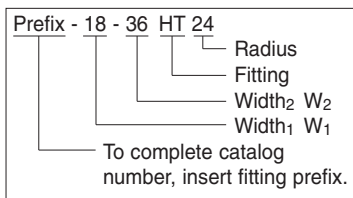
Mitered Fittings

| Tray Width | | | | Catalog No. * Insert radius (12", 24" or 36") | 12" Radius (305) | | | | 24" Radius (609) | | | | 36" Radius (914) | | | |
|----------------|-----|----------------|-----|---|--------------------------------|-----|--------------------------------|------|--------------------------------|------|--------------------------------|------|--------------------------------|------|---------------------------------|------|
| W ₁ | | W ₂ | | | A | | B | | A | | B | | A | | B | |
| in. | mm | in. | mm | | in. | mm | in. | mm | in. | mm | in. | mm | in. | mm | in. | mm |
| 9 | 228 | 6 | 152 | (Prefix)-09-06-HT* | 20 ³ / ₄ | 527 | 38 ¹ / ₂ | 978 | 32 ³ / ₄ | 832 | 62 ¹ / ₂ | 1587 | 44 ³ / ₄ | 1137 | 86 ¹ / ₂ | 2197 |
| 12 | 305 | 6 | 152 | (Prefix)-12-06-HT* | 22 ¹ / ₄ | 565 | 38 ¹ / ₂ | 978 | 34 ¹ / ₄ | 870 | 62 ¹ / ₂ | 1587 | 46 ¹ / ₄ | 1175 | 86 ¹ / ₂ | 2197 |
| | | 9 | 228 | (Prefix)-12-09-HT* | 22 ¹ / ₄ | 565 | 41 ¹ / ₂ | 1054 | 34 ¹ / ₄ | 870 | 65 ¹ / ₂ | 1664 | 46 ¹ / ₄ | 1175 | 89 ¹ / ₂ | 2273 |
| 18 | 457 | 6 | 152 | (Prefix)-18-06-HT* | 25 ¹ / ₄ | 641 | 38 ¹ / ₂ | 978 | 37 ¹ / ₄ | 946 | 62 ¹ / ₂ | 1587 | 49 ¹ / ₄ | 1251 | 86 ¹ / ₂ | 2197 |
| | | 9 | 228 | (Prefix)-18-09-HT* | 25 ¹ / ₄ | 641 | 41 ¹ / ₂ | 1054 | 37 ¹ / ₄ | 946 | 65 ¹ / ₂ | 1664 | 49 ¹ / ₄ | 1251 | 89 ¹ / ₂ | 2273 |
| | | 12 | 305 | (Prefix)-18-12-HT* | 25 ¹ / ₄ | 641 | 44 ¹ / ₂ | 1130 | 37 ¹ / ₄ | 946 | 68 ¹ / ₂ | 1740 | 49 ¹ / ₄ | 1251 | 92 ¹ / ₂ | 2350 |
| 24 | 609 | 6 | 152 | (Prefix)-24-06-HT* | 28 ¹ / ₄ | 717 | 38 ¹ / ₂ | 978 | 40 ¹ / ₄ | 1022 | 62 ¹ / ₂ | 1587 | 52 ¹ / ₄ | 1327 | 86 ¹ / ₂ | 2197 |
| | | 9 | 228 | (Prefix)-24-09-HT* | 28 ¹ / ₄ | 717 | 41 ¹ / ₂ | 1054 | 40 ¹ / ₄ | 1022 | 65 ¹ / ₂ | 1664 | 52 ¹ / ₄ | 1327 | 89 ¹ / ₂ | 2273 |
| | | 12 | 305 | (Prefix)-24-12-HT* | 28 ¹ / ₄ | 717 | 44 ¹ / ₂ | 1130 | 40 ¹ / ₄ | 1022 | 68 ¹ / ₂ | 1740 | 52 ¹ / ₄ | 1327 | 92 ¹ / ₂ | 2350 |
| | | 18 | 457 | (Prefix)-24-18-HT* | 28 ¹ / ₄ | 717 | 50 ¹ / ₂ | 1283 | 40 ¹ / ₄ | 1022 | 74 ¹ / ₂ | 1892 | 52 ¹ / ₄ | 1327 | 98 ¹ / ₂ | 2502 |
| 30 | 762 | 6 | 152 | (Prefix)-30-06-HT* | 31 ¹ / ₄ | 794 | 38 ¹ / ₂ | 978 | 43 ¹ / ₄ | 1098 | 62 ¹ / ₂ | 1587 | 55 ¹ / ₄ | 1403 | 86 ¹ / ₂ | 2197 |
| | | 9 | 228 | (Prefix)-30-09-HT* | 31 ¹ / ₄ | 794 | 41 ¹ / ₂ | 1054 | 43 ¹ / ₄ | 1098 | 65 ¹ / ₂ | 1664 | 55 ¹ / ₄ | 1403 | 89 ¹ / ₂ | 2273 |
| | | 12 | 305 | (Prefix)-30-12-HT* | 31 ¹ / ₄ | 794 | 44 ¹ / ₂ | 1130 | 43 ¹ / ₄ | 1098 | 68 ¹ / ₂ | 1740 | 55 ¹ / ₄ | 1403 | 92 ¹ / ₂ | 2350 |
| | | 18 | 457 | (Prefix)-30-18-HT* | 31 ¹ / ₄ | 794 | 50 ¹ / ₂ | 1283 | 43 ¹ / ₄ | 1098 | 74 ¹ / ₂ | 1892 | 55 ¹ / ₄ | 1403 | 98 ¹ / ₂ | 2502 |
| | | 24 | 609 | (Prefix)-30-24-HT* | 31 ¹ / ₄ | 794 | 56 ¹ / ₂ | 1435 | 43 ¹ / ₄ | 1098 | 80 ¹ / ₂ | 2045 | 55 ¹ / ₄ | 1403 | 104 ¹ / ₂ | 2654 |
| 36 | 914 | 6 | 152 | (Prefix)-36-06-HT* | 34 ¹ / ₄ | 870 | 38 ¹ / ₂ | 978 | 46 ¹ / ₄ | 1175 | 62 ¹ / ₂ | 1587 | 58 ¹ / ₄ | 1480 | 86 ¹ / ₂ | 2197 |
| | | 9 | 228 | (Prefix)-36-09-HT* | 34 ¹ / ₄ | 870 | 41 ¹ / ₂ | 1054 | 46 ¹ / ₄ | 1175 | 65 ¹ / ₂ | 1664 | 58 ¹ / ₄ | 1480 | 89 ¹ / ₂ | 2273 |
| | | 12 | 305 | (Prefix)-36-12-HT* | 34 ¹ / ₄ | 870 | 44 ¹ / ₂ | 1130 | 46 ¹ / ₄ | 1175 | 68 ¹ / ₂ | 1740 | 58 ¹ / ₄ | 1480 | 92 ¹ / ₂ | 2350 |
| | | 18 | 457 | (Prefix)-36-18-HT* | 34 ¹ / ₄ | 870 | 50 ¹ / ₂ | 1283 | 46 ¹ / ₄ | 1175 | 74 ¹ / ₂ | 1892 | 58 ¹ / ₄ | 1480 | 98 ¹ / ₂ | 2502 |
| | | 24 | 609 | (Prefix)-36-24-HT* | 34 ¹ / ₄ | 870 | 56 ¹ / ₂ | 1435 | 46 ¹ / ₄ | 1175 | 80 ¹ / ₂ | 2045 | 58 ¹ / ₄ | 1480 | 104 ¹ / ₂ | 2654 |
| | | 30 | 762 | (Prefix)-36-30-HT* | 34 ¹ / ₄ | 870 | 62 ¹ / ₂ | 1587 | 46 ¹ / ₄ | 1175 | 86 ¹ / ₂ | 2197 | 58 ¹ / ₄ | 1480 | 110 ¹ / ₂ | 2807 |

Horizontal Expanding Tee (HT)



Two pair of splice plates with SS6 hardware included.



(Prefix) See page 330 for catalog number prefix.
Dimensions for reference only, when critical contact factory.

For 3" Fittings

(Radius 12" only)

W₁ tray widths - 6" thru 18"

W₂ tray widths - 9" thru 24"

Polyester, Vinyl Ester, Zero Halogen/Dis-Stat

All are mitered

For 4" Fittings

(Radius 12", 24" & 36")

W₁ tray widths - 6" thru 30"

W₂ tray widths - 9" thru 36"

Polyester, Vinyl Ester, Zero Halogen/Dis-Stat

All radius are mitered

For 6" Fittings

(Radius 12", 24" & 36")

W₁ tray widths - 6" thru 30"

W₂ tray widths - 9" thru 36"

Polyester, Vinyl Ester, Zero Halogen/Dis-Stat

All radius are mitered

For 8" Fittings

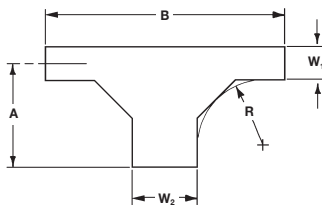
(Radius 12", 24" & 36")

W₁ tray widths - 6" thru 30"

W₂ tray widths - 9" thru 36"

Polyester, Vinyl Ester, Zero Halogen/Dis-Stat

All radius are mitered



Mitered

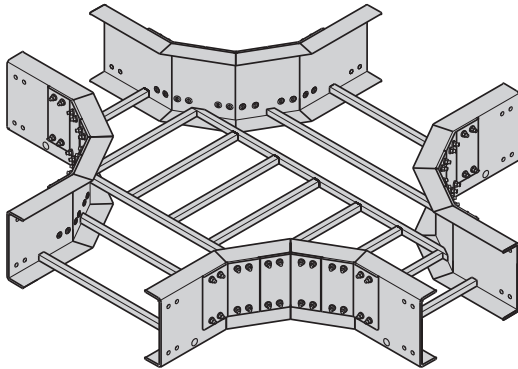
(For dimensions, see chart on page 339)

Horizontal Expanding Tee (HT)

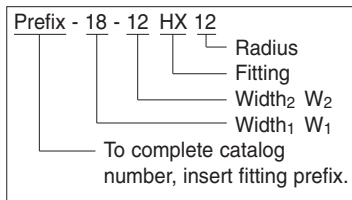
Mitered Fittings

| Tray Width | | | | Catalog No. * Insert radius (12", 24" or 36") | 12" Radius (305) | | | | 24" Radius (609) | | | | 36" Radius (914) | | | |
|----------------|-----|----------------|-----|---|------------------|-----|-----|------|------------------|------|-----|------|------------------|------|------|------|
| W ₁ | | W ₂ | | | A | | B | | A | | B | | A | | B | |
| in. | mm | in. | mm | | in. | mm | in. | mm | in. | mm | in. | mm | in. | mm | in. | mm |
| 6 | 152 | 9 | 228 | (Prefix)-06-09-HT* | 19¼ | 489 | 41½ | 1054 | 31¼ | 794 | 65½ | 1664 | 43¼ | 1098 | 89½ | 2273 |
| | | 12 | 305 | (Prefix)-06-12-HT* | 19¼ | 489 | 44½ | 1130 | 31¼ | 794 | 68½ | 1740 | 43¼ | 1098 | 92½ | 2349 |
| | | 18 | 457 | (Prefix)-06-18-HT* | 19¼ | 489 | 50½ | 1283 | 31¼ | 794 | 74½ | 1892 | 43¼ | 1098 | 98½ | 2502 |
| | | 24 | 609 | (Prefix)-06-24-HT* | 19¼ | 489 | 56½ | 1435 | 31¼ | 794 | 80½ | 2045 | 43¼ | 1098 | 104½ | 2654 |
| | | 30 | 762 | (Prefix)-06-30-HT* | 19¼ | 489 | 62½ | 1587 | 31¼ | 794 | 86½ | 2197 | 43¼ | 1098 | 110½ | 2807 |
| | | 36 | 914 | (Prefix)-06-36-HT* | 19¼ | 489 | 68½ | 1740 | 31¼ | 794 | 92½ | 2349 | 43¼ | 1098 | 116½ | 2959 |
| 9 | 228 | 12 | 305 | (Prefix)-09-12-HT* | 20¾ | 527 | 44½ | 1130 | 32¾ | 832 | 68½ | 1740 | 44¾ | 136 | 92½ | 2349 |
| | | 18 | 457 | (Prefix)-09-18-HT* | 20¾ | 527 | 50½ | 1283 | 32¾ | 832 | 74½ | 1892 | 44¾ | 136 | 98½ | 2502 |
| | | 24 | 609 | (Prefix)-09-24-HT* | 20¾ | 527 | 56½ | 1435 | 32¾ | 832 | 80½ | 2045 | 44¾ | 136 | 104½ | 2654 |
| | | 30 | 762 | (Prefix)-09-30-HT* | 20¾ | 527 | 62½ | 1587 | 32¾ | 832 | 86½ | 2197 | 44¾ | 136 | 110½ | 2807 |
| | | 36 | 914 | (Prefix)-09-36-HT* | 20¾ | 527 | 68½ | 1740 | 32¾ | 832 | 92½ | 2349 | 44¾ | 136 | 116½ | 2959 |
| 12 | 305 | 18 | 457 | (Prefix)-12-18-HT* | 22¼ | 565 | 50½ | 1283 | 34¼ | 870 | 74½ | 1892 | 46¼ | 1175 | 98½ | 2502 |
| | | 24 | 609 | (Prefix)-12-24-HT* | 22¼ | 565 | 56½ | 1435 | 34¼ | 870 | 80½ | 2045 | 46¼ | 1175 | 104½ | 2654 |
| | | 30 | 762 | (Prefix)-12-30-HT* | 22¼ | 565 | 62½ | 1587 | 34¼ | 870 | 86½ | 2197 | 46¼ | 1175 | 110½ | 2807 |
| | | 36 | 914 | (Prefix)-12-36-HT* | 22¼ | 565 | 68½ | 1740 | 34¼ | 870 | 92½ | 2349 | 46¼ | 1175 | 116½ | 2959 |
| 18 | 457 | 24 | 609 | (Prefix)-18-24-HT* | 25¼ | 641 | 56½ | 1435 | 37¼ | 946 | 80½ | 2045 | 49¼ | 1251 | 104½ | 2654 |
| | | 30 | 762 | (Prefix)-18-30-HT* | 25¼ | 641 | 62½ | 1587 | 37¼ | 946 | 86½ | 2197 | 49¼ | 1251 | 110½ | 2807 |
| | | 36 | 914 | (Prefix)-18-36-HT* | 25¼ | 641 | 68½ | 1740 | 37¼ | 946 | 92½ | 2349 | 49¼ | 1251 | 122½ | 3111 |
| 24 | 609 | 30 | 762 | (Prefix)-24-30-HT* | 28¼ | 717 | 62½ | 1587 | 40¼ | 1022 | 86½ | 2197 | 52¼ | 1327 | 110½ | 2807 |
| | | 36 | 914 | (Prefix)-24-36-HT* | 28¼ | 717 | 68½ | 1740 | 40¼ | 1022 | 92½ | 2349 | 52¼ | 1327 | 116½ | 2959 |
| 30 | 762 | 36 | 914 | (Prefix)-30-36-HT* | 31¼ | 794 | 68½ | 1740 | 43¼ | 1098 | 92½ | 2349 | 55¼ | 1403 | 116½ | 2959 |

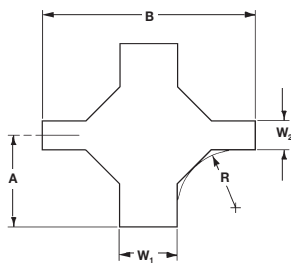
Horizontal Expanding/Reducing Cross (HX)



Three pair of splice plates with SS6 hardware included.



(Prefix) See page 330 for catalog number prefix.
Dimensions for reference only, when critical contact factory.



Mitered

(For dimensions, see chart on page 341)

For 3" Fittings

(Radius 12" only)

W₁ tray widths - 9" thru 24"

W₂ tray widths - 6" thru 18"

Polyester, Vinyl Ester, Zero Halogen/Dis-Stat

All are mitered

For 4" Fittings

(Radius 12", 24" & 36")

W₁ tray widths - 9" thru 36"

W₂ tray widths - 6" thru 30"

Polyester, Vinyl Ester, Zero Halogen/Dis-Stat

All radius are mitered

For 6" Fittings

(Radius 12", 24" & 36")

W₁ tray widths - 9" thru 36"

W₂ tray widths - 6" thru 30"

Polyester, Vinyl Ester, Zero Halogen/Dis-Stat

All radius are mitered

For 8" Fittings

(Radius 12", 24" & 36")

W₁ tray widths - 9" thru 36"

W₂ tray widths - 6" thru 30"

Polyester, Vinyl Ester, Zero Halogen/Dis-Stat

All radius are mitered

Horizontal Expanding/Reducing Cross (HX)

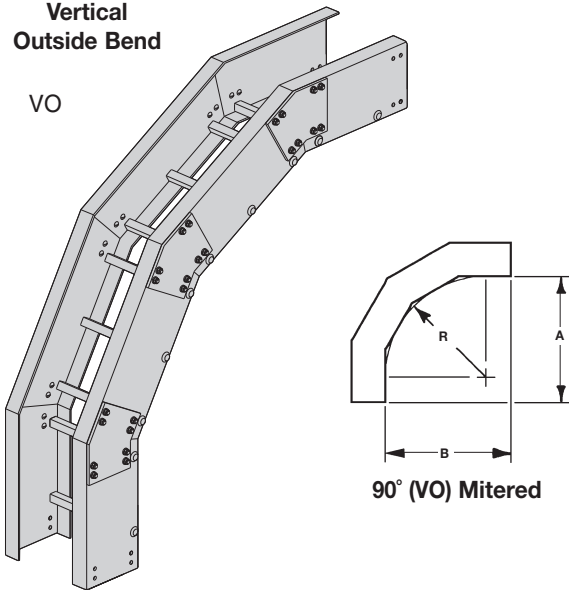
Mitered Fittings

| Tray Width | | | | Catalog No. * Insert radius (12", 24" or 36") | 12" Radius (305) | | | | 24" Radius (609) | | | | 36" Radius (914) | | | |
|----------------|-----|----------------|-----|---|------------------|-----|-----|------|------------------|------|------|------|------------------|------|------|------|
| W ₁ | | W ₂ | | | A | | B | | A | | B | | A | | B | |
| in. | mm | in. | mm | | in. | mm | in. | mm | in. | mm | in. | mm | in. | mm | in. | mm |
| 9 | 228 | 6 | 152 | (Prefix)-09-06-HT* | 19¼ | 489 | 41½ | 1054 | 31¼ | 794 | 65½ | 1664 | 43¼ | 1098 | 89½ | 2273 |
| 12 | 305 | 6 | 152 | (Prefix)-12-06-HT* | 19¼ | 489 | 44½ | 1130 | 31¼ | 794 | 68½ | 1740 | 43¼ | 1098 | 92½ | 2350 |
| | | 9 | 228 | (Prefix)-12-09-HT* | 20¾ | 527 | 44½ | 1130 | 32¾ | 832 | 68½ | 1740 | 44¾ | 1136 | 92½ | 2350 |
| 18 | 457 | 6 | 152 | (Prefix)-18-06-HT* | 19¼ | 489 | 50½ | 1283 | 31¼ | 794 | 74½ | 1892 | 43¼ | 1098 | 98½ | 2502 |
| | | 9 | 228 | (Prefix)-18-09-HT* | 20¾ | 527 | 50½ | 1283 | 32¾ | 832 | 74½ | 1892 | 44¾ | 1136 | 98½ | 2502 |
| | | 12 | 305 | (Prefix)-18-12-HT* | 22¼ | 565 | 50½ | 1283 | 34¼ | 870 | 74½ | 1892 | 46¼ | 1175 | 98½ | 2502 |
| 24 | 609 | 6 | 152 | (Prefix)-24-06-HT* | 19¼ | 489 | 56½ | 1435 | 31¼ | 794 | 80½ | 2045 | 43¼ | 1098 | 104½ | 2654 |
| | | 9 | 228 | (Prefix)-24-09-HT* | 20¾ | 527 | 56½ | 1435 | 32¾ | 832 | 80½ | 2045 | 44¾ | 1136 | 104½ | 2654 |
| | | 12 | 305 | (Prefix)-24-12-HT* | 22¼ | 565 | 56½ | 1435 | 34¼ | 870 | 80½ | 2045 | 46¼ | 1175 | 104½ | 2654 |
| | | 18 | 457 | (Prefix)-24-18-HT* | 25¼ | 641 | 56½ | 1435 | 37¼ | 946 | 80½ | 2045 | 49¼ | 1251 | 104½ | 2654 |
| 30 | 762 | 6 | 152 | (Prefix)-30-06-HT* | 19¼ | 489 | 62½ | 1587 | 31¼ | 794 | 86½ | 2197 | 43¼ | 1098 | 110½ | 2807 |
| | | 9 | 228 | (Prefix)-30-09-HT* | 20¾ | 527 | 62½ | 1587 | 32¾ | 832 | 86½ | 2197 | 44¾ | 1136 | 110½ | 2807 |
| | | 12 | 305 | (Prefix)-30-12-HT* | 22¼ | 565 | 62½ | 1587 | 34¼ | 870 | 86½ | 2197 | 46¼ | 1175 | 110½ | 2807 |
| | | 18 | 457 | (Prefix)-30-18-HT* | 25¼ | 641 | 62½ | 1587 | 37¼ | 946 | 86½ | 2197 | 49¼ | 1251 | 110½ | 2807 |
| | | 24 | 609 | (Prefix)-30-24-HT* | 28¼ | 717 | 62½ | 1587 | 40¼ | 1022 | 86½ | 2197 | 52¼ | 1327 | 110½ | 2807 |
| 36 | 914 | 6 | 152 | (Prefix)-36-06-HT* | 19¼ | 489 | 68½ | 1740 | 31¼ | 794 | 104½ | 2654 | 43¼ | 1098 | 128½ | 3264 |
| | | 9 | 228 | (Prefix)-36-09-HT* | 20¾ | 527 | 68½ | 1740 | 32¾ | 832 | 104½ | 2654 | 44¾ | 1136 | 128½ | 3264 |
| | | 12 | 305 | (Prefix)-36-12-HT* | 22¼ | 565 | 68½ | 1740 | 34¼ | 870 | 104½ | 2654 | 46¼ | 1175 | 128½ | 3264 |
| | | 18 | 457 | (Prefix)-36-18-HT* | 25¼ | 641 | 68½ | 1740 | 37¼ | 946 | 104½ | 2654 | 49¼ | 1251 | 128½ | 3264 |
| | | 24 | 609 | (Prefix)-36-24-HT* | 28¼ | 717 | 68½ | 1740 | 40¼ | 1022 | 104½ | 2654 | 52¼ | 1327 | 128½ | 3264 |
| | | 30 | 762 | (Prefix)-36-30-HT* | 31¼ | 794 | 68½ | 1740 | 43¼ | 1098 | 104½ | 2654 | 55¼ | 1403 | 128½ | 3264 |

Vertical Bends 90° (VO) (VI)

Vertical
Outside Bend

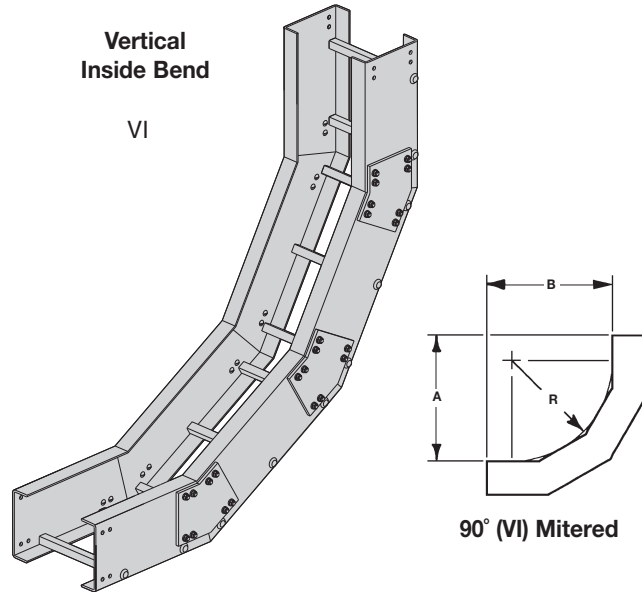
VO



90° (VO) Mitered

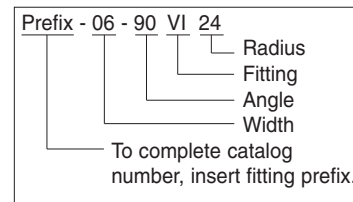
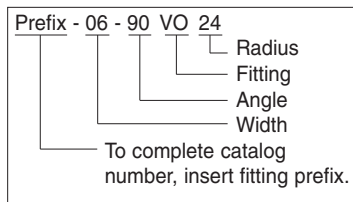
Vertical
Inside Bend

VI



90° (VI) Mitered

One pair of splice plates with SS6 hardware included.



(Prefix) See page 330 for catalog number prefix.
Dimensions for reference only, when critical contact factory.

For 3" Fittings

(Radius 12" only • Tray widths - 6" thru 24")
Polyester, Vinyl Ester, Zero Halogen/Dis-Stat
All are mitered

For 6" Fittings

(Radius 12", 24" & 36"
Tray widths - 6" thru 36")
Polyester, Vinyl Ester, Zero Halogen/Dis-Stat
All radius are mitered

For 4" Fittings

(Radius 12", 24" & 36"
Tray widths - 6" thru 36")
Polyester, Vinyl Ester, Zero Halogen/Dis-Stat
All radius are mitered

For 8" Fittings

(Radius 12", 24" & 36"
Tray widths - 6" thru 36")
Polyester, Vinyl Ester, Zero Halogen/Dis-Stat
All radius are mitered

Vertical Bends 90° (VO) (VI)

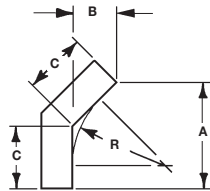
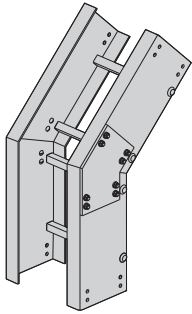
| - R - Bend Radius | | Tray Width | | Catalog No. | 90° Mitered | | | | | | | |
|-------------------------|-----|---------------|-----|---------------------|----------------------------------|-----|----------------------------------|-----|----------------------------------|-----|----------------------------------|-----|
| | | | | | Vertical Outside Bend | | | | Vertical Inside Bend | | | |
| in. | mm | in. | mm | | A | | B | | A | | B | |
| | | | | in. | mm | in. | mm | in. | mm | in. | mm | |
| 12 | 305 | 6 | 152 | (Prefix)-06-90(*)12 | 20 ⁵ / ₈ | 524 | 20 ⁵ / ₈ | 524 | 20 ⁵ / ₈ | 524 | 20 ⁵ / ₈ | 524 |
| | | 9 | 228 | (Prefix)-09-90(*)12 | | | | | | | | |
| | | 12 | 305 | (Prefix)-12-90(*)12 | | | | | | | | |
| | | 18 | 457 | (Prefix)-18-90(*)12 | | | | | | | | |
| | | 24 | 609 | (Prefix)-24-90(*)12 | | | | | | | | |
| | | 30 | 762 | (Prefix)-30-90(*)12 | | | | | | | | |
| | | 36 | 914 | (Prefix)-36-90(*)12 | | | | | | | | |
| 24 | 609 | 6 | 152 | (Prefix)-06-90(*)24 | 28 ³¹ / ₃₂ | 735 | 28 ³¹ / ₃₂ | 735 | 28 ³¹ / ₃₂ | 735 | 28 ³¹ / ₃₂ | 735 |
| | | 9 | 228 | (Prefix)-09-90(*)24 | | | | | | | | |
| | | 12 | 305 | (Prefix)-12-90(*)24 | | | | | | | | |
| | | 18 | 457 | (Prefix)-18-90(*)24 | | | | | | | | |
| | | 24 | 609 | (Prefix)-24-90(*)24 | | | | | | | | |
| | | 30 | 762 | (Prefix)-30-90(*)24 | | | | | | | | |
| | | 36 | 914 | (Prefix)-36-90(*)24 | | | | | | | | |
| 36 | 914 | 6 | 152 | (Prefix)-06-90(*)36 | 37 ¹⁵ / ₁₆ | 963 | 37 ¹⁵ / ₁₆ | 963 | 37 ¹⁵ / ₁₆ | 963 | 37 ¹⁵ / ₁₆ | 963 |
| | | 9 | 228 | (Prefix)-09-90(*)36 | | | | | | | | |
| | | 12 | 305 | (Prefix)-12-90(*)36 | | | | | | | | |
| | | 18 | 457 | (Prefix)-18-90(*)36 | | | | | | | | |
| | | 24 | 609 | (Prefix)-24-90(*)36 | | | | | | | | |
| | | 30 | 762 | (Prefix)-30-90(*)36 | | | | | | | | |
| | | 36 | 914 | (Prefix)-36-90(*)36 | | | | | | | | |

(*) Insert 'VO' for Vertical Outside Bend or 'VI' for Vertical Inside Bend.

Vertical Bends 45° (VO) (VI)

Vertical Outside Bend

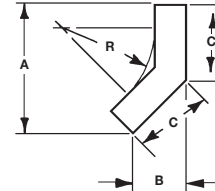
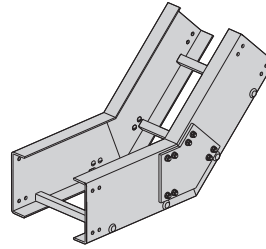
VO



45° (VO) Mitered

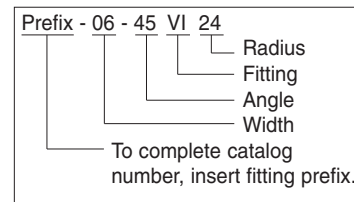
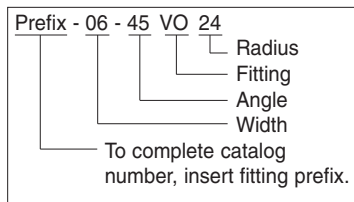
Vertical Inside Bend

VI



45° (VI) Mitered

One pair of splice plates with SS6 hardware included.



(Prefix) See page 330 for catalog number prefix.
Dimensions for reference only, when critical contact factory.

For 3" Fittings

(Radius 12" only • Tray widths - 6" thru 24")
Polyester, Vinyl Ester, Zero Halogen/Dis-Stat
All are mitered

For 6" Fittings

(Radius 12", 24" & 36"
Tray widths - 6" thru 36")
Polyester, Vinyl Ester, Zero Halogen/Dis-Stat
All radius are mitered

For 4" Fittings

(Radius 12", 24" & 36"
Tray widths - 6" thru 36")
Polyester, Vinyl Ester, Zero Halogen/Dis-Stat
All radius are mitered

For 8" Fittings

(Radius 12", 24" & 36"
Tray widths - 6" thru 36")
Polyester, Vinyl Ester, Zero Halogen/Dis-Stat
All radius are mitered

Vertical Bends 45° (VO) (VI)

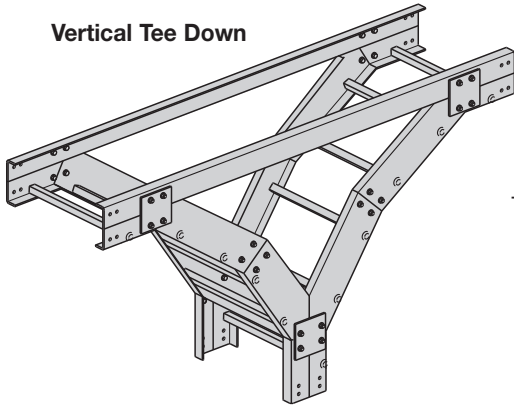
| - R - Bend Radius | | Tray Width | | Catalog No. | 45° Mitered | | | | | | | | | | | |
|-------------------------|-----|---------------|-----|---------------------|----------------------------------|-----|-----|-----|----------------------------------|-----|---------------------------------|------|----------------------------------|-----|----------------------------------|-----|
| | | | | | Vertical Outside Bend | | | | | | Vertical Inside Bend | | | | | |
| | | | | | A | | B | | C | | A | | B | | C | |
| in. | mm | in. | mm | in. | mm | in. | mm | in. | mm | in. | mm | in. | mm | in. | mm | |
| 12 | 305 | 6 | 152 | (Prefix)-06-45(*)12 | 20½ | 521 | 8½ | 216 | 12 | 305 | 26 ⁵ / ₃₂ | 664 | 10 ²⁷ / ₃₂ | 275 | 15 ⁵ / ₁₆ | 389 |
| | | 9 | 228 | (Prefix)-09-45(*)12 | | | | | | | | | | | | |
| | | 12 | 305 | (Prefix)-12-45(*)12 | | | | | | | | | | | | |
| | | 18 | 457 | (Prefix)-18-45(*)12 | | | | | | | | | | | | |
| | | 24 | 609 | (Prefix)-24-45(*)12 | | | | | | | | | | | | |
| | | 30 | 762 | (Prefix)-30-45(*)12 | | | | | | | | | | | | |
| | | 36 | 914 | (Prefix)-36-45(*)12 | | | | | | | | | | | | |
| 24 | 609 | 6 | 152 | (Prefix)-06-45(*)24 | 28 ³¹ / ₃₂ | 736 | 12 | 305 | 16 ³¹ / ₃₂ | 431 | 36 ¹ / ₁₆ | 916 | 14 ¹⁵ / ₁₆ | 379 | 21 ¹ / ₈ | 537 |
| | | 9 | 228 | (Prefix)-09-45(*)24 | | | | | | | | | | | | |
| | | 12 | 305 | (Prefix)-12-45(*)24 | | | | | | | | | | | | |
| | | 18 | 457 | (Prefix)-18-45(*)24 | | | | | | | | | | | | |
| | | 24 | 609 | (Prefix)-24-45(*)24 | | | | | | | | | | | | |
| | | 30 | 762 | (Prefix)-30-45(*)24 | | | | | | | | | | | | |
| | | 36 | 914 | (Prefix)-36-45(*)24 | | | | | | | | | | | | |
| 36 | 914 | 6 | 152 | (Prefix)-06-45(*)36 | 37 ⁷ / ₁₆ | 951 | 15½ | 394 | 21 ¹⁵ / ₁₆ | 557 | 46 | 1168 | 19½ | 483 | 26 ¹⁵ / ₁₆ | 684 |
| | | 9 | 228 | (Prefix)-09-45(*)36 | | | | | | | | | | | | |
| | | 12 | 305 | (Prefix)-12-45(*)36 | | | | | | | | | | | | |
| | | 18 | 457 | (Prefix)-18-45(*)36 | | | | | | | | | | | | |
| | | 24 | 609 | (Prefix)-24-45(*)36 | | | | | | | | | | | | |
| | | 30 | 762 | (Prefix)-30-45(*)36 | | | | | | | | | | | | |
| | | 36 | 914 | (Prefix)-36-45(*)36 | | | | | | | | | | | | |

(*) Insert 'VO' for Vertical Outside Bend or 'VI' for Vertical Inside Bend.
60° and 30° vertical bends available in mitered construction.

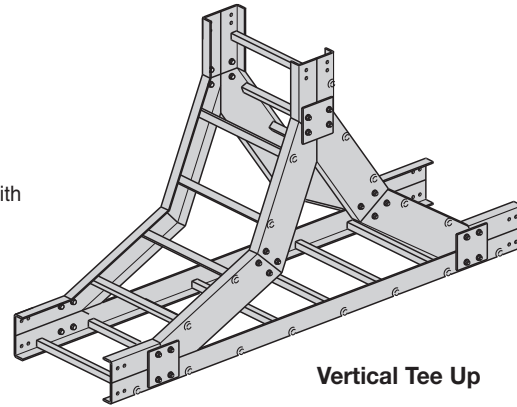
Fiberglass

Vertical Tee Up (VTU) Vertical Tee Down (VT)

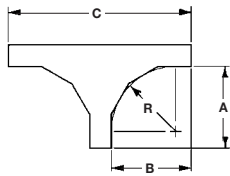
Vertical Tee Down



Two pair of splice plates with SS6 hardware included.

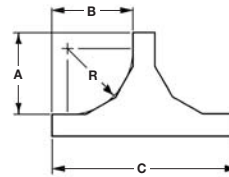


Vertical Tee Up



(VT) Mitered

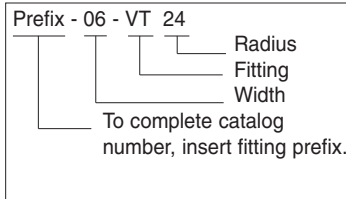
C Dimension =
 $2 \times B + \text{Side Rail Height}$



(VTU) Mitered

C Dimension =
 $2 \times B + \text{Side Rail Height}$

(Prefix) See page 330 for catalog number prefix.
Dimensions for reference only, when critical contact factory.



For 3" Fittings

(Radius 12" only • Tray widths - 6" thru 24")
Polyester, Vinyl Ester, Zero Halogen/Dis-Stat
All are mitered

For 6" Fittings

(Radius 12", 24" & 36"
Tray widths - 6" thru 36")
Polyester, Vinyl Ester, Zero Halogen/Dis-Stat
All radius are mitered

For 4" Fittings

(Radius 12", 24" & 36"
Tray widths - 6" thru 36")
Polyester, Vinyl Ester, Zero Halogen/Dis-Stat
All radius are mitered

For 8" Fittings

(Radius 12", 24" & 36"
Tray widths - 6" thru 36")
Polyester, Vinyl Ester, Zero Halogen/Dis-Stat
All radius are mitered

Vertical Tee Up (VTU) Vertical Tee Down (VT)

| - R - Bend Radius | | Tray Width | | Mitered | | | | | | | | |
|-------------------------|-----|---------------|-----|-------------------|----------------------------------|-----|----------------------------------|-----|----------------------------------|-----|----------------------------------|-----|
| | | | | Catalog No. | Vertical Tee Down | | | | Vertical Tee Up | | | |
| | | | | | A | | B | | A | | B | |
| in. | mm | in. | mm | in. | mm | in. | mm | in. | mm | in. | mm | |
| 12 | 305 | 6 | 152 | (Prefix)-06-(*)12 | 20 ⁵ / ₁₆ | 524 | 20 ⁵ / ₁₆ | 524 | 20 ⁵ / ₁₆ | 524 | 20 ⁵ / ₁₆ | 524 |
| | | 9 | 228 | (Prefix)-09-(*)12 | | | | | | | | |
| | | 12 | 305 | (Prefix)-12-(*)12 | | | | | | | | |
| | | 18 | 457 | (Prefix)-18-(*)12 | | | | | | | | |
| | | 24 | 609 | (Prefix)-24-(*)12 | | | | | | | | |
| | | 30 | 762 | (Prefix)-30-(*)12 | | | | | | | | |
| 24 | 609 | 6 | 152 | (Prefix)-06-(*)24 | 29 | 736 | 29 | 736 | 29 | 736 | 29 | 736 |
| | | 9 | 228 | (Prefix)-09-(*)24 | | | | | | | | |
| | | 12 | 305 | (Prefix)-12-(*)24 | | | | | | | | |
| | | 18 | 457 | (Prefix)-18-(*)24 | | | | | | | | |
| | | 24 | 609 | (Prefix)-24-(*)24 | | | | | | | | |
| | | 30 | 762 | (Prefix)-30-(*)24 | | | | | | | | |
| 36 | 914 | 6 | 152 | (Prefix)-06-(*)36 | 37 ¹⁵ / ₁₆ | 963 | 37 ¹⁵ / ₁₆ | 963 | 37 ¹⁵ / ₁₆ | 963 | 37 ¹⁵ / ₁₆ | 963 |
| | | 9 | 228 | (Prefix)-09-(*)36 | | | | | | | | |
| | | 12 | 305 | (Prefix)-12-(*)36 | | | | | | | | |
| | | 18 | 457 | (Prefix)-18-(*)36 | | | | | | | | |
| | | 24 | 609 | (Prefix)-24-(*)36 | | | | | | | | |
| | | 30 | 762 | (Prefix)-30-(*)36 | | | | | | | | |

(*) Insert 'VT' for Vertical Tee Down or 'VTU' for Vertical Tee Up.

Fiberglass - Covers & Cover Accessories

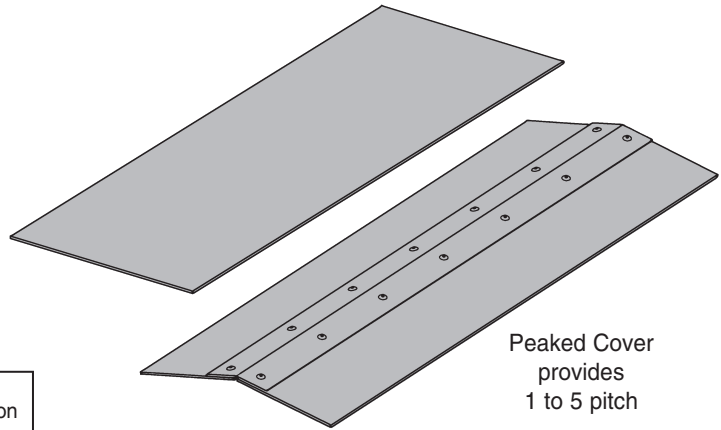
Covers

Material Thickness: 1/8" (3)

Cover Length: 10' (3m)

Standard Mounting Hardware: (10 each)

#10 x 1/2" stainless, self drilling screws provided with each section



Peaked Cover provides 1 to 5 pitch

Covers

F - C - 24 - 120

Length or fitting description
Width
Rail design
Material

- F - C - 24 - 120 = Flat polyester
- FV - C - 24 - 120 = Flat vinyl ester
- FA - C - 24 - 120 = Flat zero halogen/Dis-Stat
- FP - C - 24 - 120 = Peaked polyester
- FVP - C - 24 - 120 = Peaked vinyl ester
- FAP - C - 24 - 120 = Peaked zero halogen/Dis-Stat

Quantity of Standard Cover Clamps Required

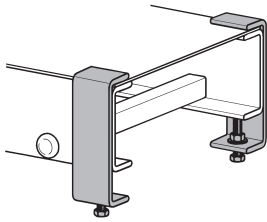
Straight Section 60" or 72"4 pcs.
 Straight Section 120" or 144"6 pcs.
 Horizontal/Vertical Bends4 pcs.
 Tees6 pcs.
 Crosses8 pcs.

Note: When using the Heavy Duty Cover Clamp, only one-half the number of clamps stated above is required.

Peaked covers available for straight sections only.

Standard Cover Clamp

- Used to splice to existing cable tray systems.
- Furnished in pairs with hardware.

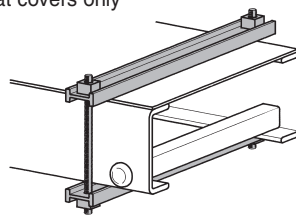


| Catalog No. | Side Rail Height | |
|-------------|------------------|-----|
| | in. | mm |
| 9(Δ)-9013 | 3 | 76 |
| 9(Δ)-9014 | 4 | 101 |
| 9(Δ)-9016 | 6 | 152 |

Heavy Duty Cover Clamp

Recommended for outdoor service.

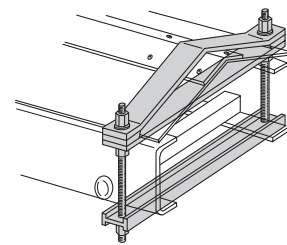
- W = tray width
- Heavy duty cover clamp available for flat covers only



| Catalog No. | Side Rail Height | |
|-------------|------------------|-----|
| | in. | mm |
| 9F-W-9034 | 3 | 76 |
| 9F-W-9044 | 4 | 101 |
| 9F-W-9064 | 6 | 152 |
| 9F-W-9084 | 8 | 203 |

Peaked Cover Clamp

- W = tray width



| Catalog No. | Side Rail Height | |
|-------------|------------------|-----|
| | in. | mm |
| 9F-W-9034P | 3 | 76 |
| 9F-W-9044P | 4 | 101 |
| 9F-W-9064P | 6 | 152 |
| 9F-W-9084P | 8 | 203 |

Material Designations

(Δ) Insert one of the following material designations when required.

- F = Polyester Resin (Example: 9F-9013)
- FV = Vinyl Ester Resin (Example: 9FV-9013)
- FA = Zero Halogen/Dis-Stat Resin (Example: 9FA-9013)

Thermo Plastic Drive Rivet

Shipped in packages of 25 pcs.



| Catalog No. | ● TPDR |
|-------------|--------|
|-------------|--------|

● Green = Fastest shipped items ● Black = Normal lead-time items ● Red = Normally long lead-time items

Fiberglass Tray - Accessories

Part Number with Hardware Explanation

Examples: 9F-0000* or 9FV-0000* or 9FA-0000*
polyester resin or vinyl ester resin or zero halogen/dis-stat resin

* indicates that additional information must be furnished to specify the type of hardware

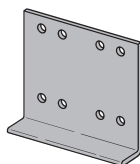
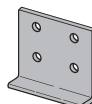
| Hardware Option | 316 Stainless Steel | Silicon Bronze | Fiberglass |
|-----------------|---------------------|----------------|------------|
| replace * with | SS6 | SB | FR |

Example: 9F-4004 SS6: pair of 4-hole splice plates for 4" (101) system with stainless steel hardware
9FV-8006 SB: pair of 8-hole vinyl ester splice plates for 6" (152) system with silicon bronze hardware

Standard Lay-In Splice Plates

Included in needed quantities with tray section.

- Furnished in pairs
- Order only pairs of splice plates needed for field fabrication.
- SS6 hardware supplied as standard - use SS6 suffix.
- Other hardware available, specify by hardware suffix. Hardware other than SS6 is considered special.



| Material | Height | Catalog No. |
|------------|----------|-------------|
| Fiberglass | 3" (76) | 9(Δ)-4003* |
| | 4" (101) | 9(Δ)-4004* |
| | 6" (152) | 9(Δ)-8006* |
| | 8" (203) | 9(Δ)-8008* |

* hardware suffix needed to complete part number

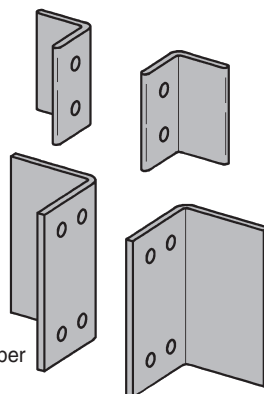
Tray to Box Splice Plates

These plates are used to attach the end of a tray run to a distribution box or control center.

- Furnished in pairs

| Material | Height | Catalog No. |
|------------|----------|-------------|
| Fiberglass | 3" (76) | 9(Δ)-4053* |
| | 4" (101) | 9(Δ)-4054* |
| | 6" (152) | 9(Δ)-8056* |
| | 8" (203) | 9(Δ)-8058* |

* hardware suffix needed to complete part number



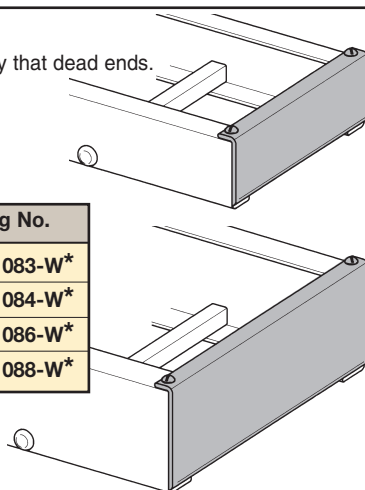
Blind End Plate

This plate forms a closure for any tray that dead ends.

- Furnished as one plate
- W = tray width

| Material | Height | Catalog No. |
|------------|----------|--------------|
| Fiberglass | 3" (76) | 9(Δ)-1083-W* |
| | 4" (101) | 9(Δ)-1084-W* |
| | 6" (152) | 9(Δ)-1086-W* |
| | 8" (203) | 9(Δ)-1088-W* |

* hardware suffix needed to complete part number



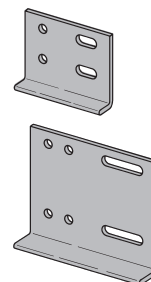
Expansion Splice Plate

L-shaped, lay-in style

- Furnished in pairs

| Material | Height | Catalog No. |
|------------|----------|-------------|
| Fiberglass | 3" (76) | 9(Δ)-4013* |
| | 4" (101) | 9(Δ)-4014* |
| | 6" (152) | 9(Δ)-8016* |
| | 8" (203) | 9(Δ)-8018* |

* hardware suffix needed to complete part number



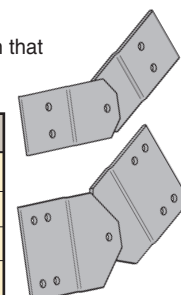
Vertical Adjustable Splice Plates

These plates provide for changes in elevation that do not conform to standard vertical fittings.

- Furnished in pairs

| Material | Height | Catalog No. |
|------------|----------|-------------|
| Fiberglass | 3" (76) | 9(Δ)-4023* |
| | 4" (101) | 9(Δ)-4024* |
| | 6" (152) | 9(Δ)-8026* |
| | 8" (203) | 9(Δ)-8028* |

* hardware suffix needed to complete part number



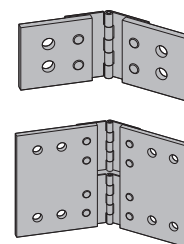
Horizontal Adjustable Splice Plates

These plates provide for changes in the horizontal direction that do not conform to standard fittings.

- Furnished in pairs
- Stainless steel hinges, FRP body

| Material | Height | Catalog No. |
|------------|----------|-------------|
| Fiberglass | 3" (76) | 9(Δ)-4033* |
| | 4" (101) | 9(Δ)-4034* |
| | 6" (152) | 9(Δ)-8036* |
| | 8" (203) | 9(Δ)-8038* |

* hardware suffix needed to complete part number



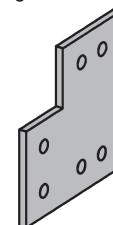
Step Down Splice Plates

These splice plates provide for changes in side rail heights.

- Furnished in pairs

| Material | Height | Catalog No. |
|------------|-----------------------|-------------|
| Fiberglass | 8" to 6" (203 to 152) | 9(Δ)-8086* |
| | 8" to 4" (203 to 101) | 9(Δ)-8084* |
| | 6" to 3" (152 to 76) | 9(Δ)-8063* |
| | 6" to 4" (152 to 101) | 9(Δ)-8064* |
| | 4" to 3" (101 to 76) | 9(Δ)-4043* |

* hardware suffix needed to complete part number



(Δ) See page 348 for material selection

Dimensions shown in parentheses are in millimeters, unless otherwise specified.

Fiberglass Tray - Accessories

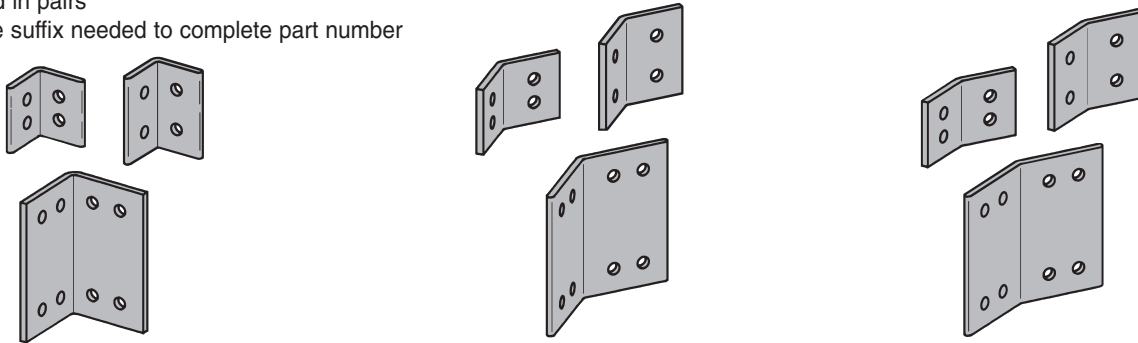
Horizontal and Vertical Splice Plates

* Hardware suffix needed to complete part number
All splice plate hardware is $\frac{3}{8}$ ".

Hardware Suffix:
SS6 - 316SS
MO - Monel
SB - Silicon Bronze
FR - Fiberglass

Horizontal Splice Plates

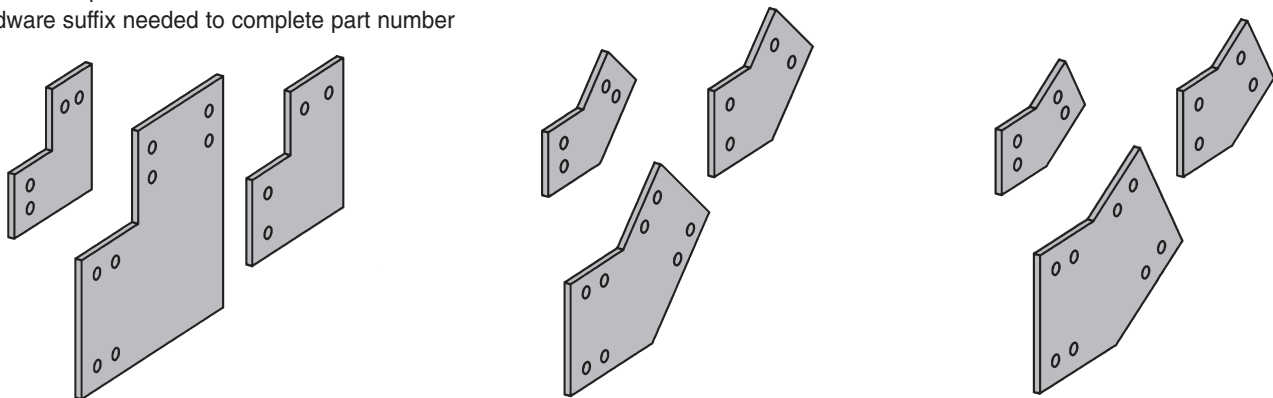
• Furnished in pairs
* Hardware suffix needed to complete part number



| Catalog No. 90° | Catalog No. 45° | Catalog No. 30° |
|--------------------|--------------------|--------------------|
| 9(Δ)-4903H* | 9(Δ)-4453H* | 9(Δ)-4303H* |
| 9(Δ)-4904H* | 9(Δ)-4454H* | 9(Δ)-4304H* |
| 9(Δ)-8906H* | 9(Δ)-8456H* | 9(Δ)-8306H* |
| 9(Δ)-8908H* | 9(Δ)-8458H* | 9(Δ)-8308H* |

Vertical Splice Plates

• Furnished in pairs
* Hardware suffix needed to complete part number



| Catalog No. 90° | Catalog No. 45° | Catalog No. 30° |
|--------------------|--------------------|--------------------|
| 9(Δ)-4903V* | 9(Δ)-4453V* | 9(Δ)-4303V* |
| 9(Δ)-4904V* | 9(Δ)-4454V* | 9(Δ)-4304V* |
| 9(Δ)-8906V* | 9(Δ)-8456V* | 9(Δ)-8306V* |
| 9(Δ)-8908V* | 9(Δ)-8458V* | 9(Δ)-8308V* |

Standard lay-in splice plates with SS6 hardware included with tray sections.
Splice Plates are available in pairs and are a separate order item. They are not automatically supplied with tray sections.

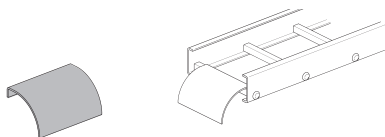
(Δ) See page 348 for material selection

Fiberglass Tray - Accessories

Ladder Drop-Out

Specially-designed Ladder Drop-Outs provide a rounded surface with adequate radius to protect cable as it exits from the tray, preventing damage to insulation.

- 4" (101) radius
- W = tray width



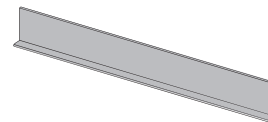
Catalog No.

9(Δ)-1104-W

Barriers

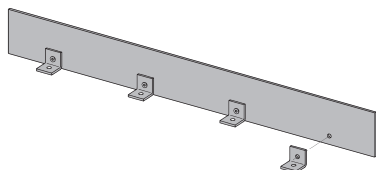
- Furnished with #10 x 1/2" self-drilling stainless steel screws

| Catalog No. | Side Rail Height | |
|-------------|------------------|-------|
| | in. | mm |
| 72(Δ)-120 | 3" | (76) |
| 73(Δ)-120 | 4" | (101) |
| 75(Δ)-120 | 6" | (152) |
| 77(Δ)-120 | 8" | (203) |



Flexible Horizontal Barrier Kit

One kit allows up to a 36" (914) radius position of the barrier.



Kit Contents:

- 1 pc — 72" (1829) Straight Barrier
- 4 pc — 9F-9002 Barrier Strip Clip
- 8 pc — Thermo Plastic Drive Rivet
- 4 pc — #10 x 3/4" Stainless Steel Self-Drilling Screw

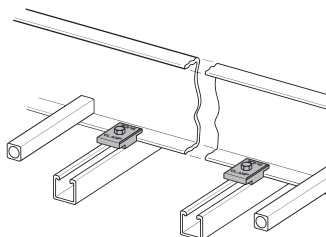
Assembly required — directions included.

| Catalog No. | Side Rail Height | |
|--------------|------------------|-------|
| | in. | mm |
| 72(Δ)-90HBFL | 3" | (76) |
| 73(Δ)-90HBFL | 4" | (101) |
| 75(Δ)-90HBFL | 6" | (152) |
| 77(Δ)-90HBFL | 8" | (203) |

Clamp/Guide - Fiberglass

Nonmetallic

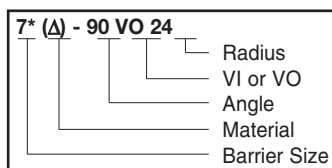
- Designed for 3/8" hardware - not included
- Combination hold down clamp and guide
- Material: Glass reinforced polyurathane



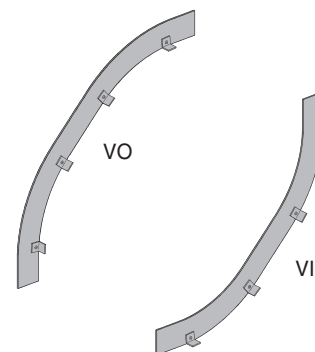
Catalog No.

9F-1208

Vertical Bend Barriers



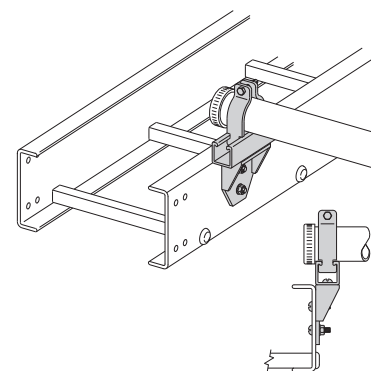
- * Insert 2 for 3" (76) siderail height
- 3 for 4" (101) siderail height
- 5 for 6" (152) siderail height



Fiberglass Conduit to Cable Tray Adapter

- For rigid or PVC conduit
- Standard hardware is 316 stainless steel
- Add 'N' to end of part number if non-metallic hardware is preferred

| Catalog No. | Conduit Size | |
|-------------|--------------|-----|
| | in. | mm |
| 9F-2008 | 0.50 | 15 |
| 9F-2009 | 0.75 | 20 |
| 9F-2010 | 1.00 | 25 |
| 9F-2011 | 1.25 | 32 |
| 9F-2012 | 1.50 | 40 |
| 9F-2013 | 2.00 | 50 |
| 9F-2014 | 2.50 | 65 |
| 9F-2015 | 3.00 | 80 |
| 9F-2016 | 3.50 | 90 |
| 9F-2017 | 4.00 | 100 |



Resin Seal Kit

To reseal fiberglass after field modifications.

- 1 pint (473ml)

Contents: Sealant and Applicator.



Catalog No.

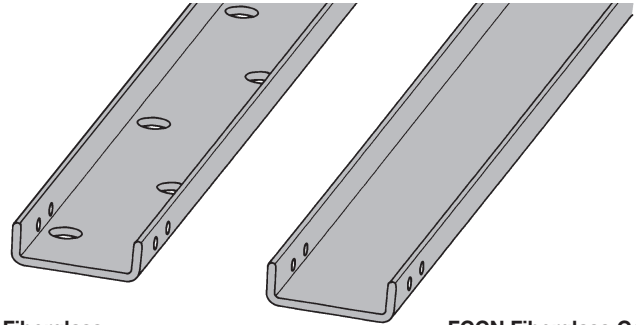
RSK-010

Dimensions shown in parentheses are in millimeters, unless otherwise specified.

Fiberglass - Cable Channel & Fittings

Straight Section

- Load data was interpolated from CSA testing.
- Loads shown are for FCCN series.
- Loads shown are for 6 ft. (1.83m) span with deflection of .7 (18.26) inches.



FCC Fiberglass Cable Channel Ventilated

FCCN Fiberglass Cable Channel Non-Ventilated

One pair of splice plates included with each straight section.

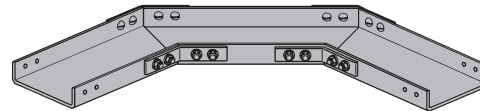
| Catalog No. | | Width | | Length | | Height | | Load | |
|-------------|----------------|-------|-----|--------|---|--------|----|--------|------|
| Ventilated | Non-Ventilated | in. | mm | ft. | m | in. | mm | Lbs/Ft | kg/m |
| (*)-03-120 | (*)N-03-120 | 3 | 76 | 10 | 3 | 1 | 25 | 8 | 12 |
| (*)-03-240 | (*)N-03-240 | 3 | 76 | 20 | 6 | | | | |
| (*)-04-120 | (*)N-04-120 | 4 | 101 | 10 | 3 | 1 1/8 | 28 | 12 | 18 |
| (*)-04-240 | (*)N-04-240 | 4 | 101 | 20 | 6 | | | | |
| (*)-06-120 | (*)N-06-120 | 6 | 152 | 10 | 3 | 1 5/8 | 35 | 58 | 86 |
| (*)-06-240 | (*)N-06-240 | 6 | 152 | 20 | 6 | | | | |
| (*)-08-120 | (*)N-08-120 | 8 | 203 | 10 | 3 | 2 3/16 | 55 | 87 | 129 |
| (*)-08-240 | (*)N-08-240 | 8 | 203 | 20 | 6 | | | | |

(*) Insert material type straight sections

- FCC for Polyester Resin
- FCCV for Vinyl Ester Resin
- FCCA for Zero Halogen/Dis-Stat Resin

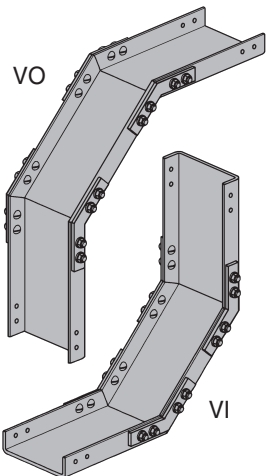
Cable Channel Fittings

All fittings are of mitered construction with 12" (305) radius.



One pair of splice plates included.

| Horizontal | 3" series | 4" series | 6" series | 8" series |
|------------|----------------|----------------|----------------|----------------|
| 90° | (†)N-03-90HB12 | (†)N-04-90HB12 | (†)N-06-90HB12 | (†)N-08-90HB12 |
| 45° | (†)N-03-45HB12 | (†)N-04-45HB12 | (†)N-06-45HB12 | (†)N-08-45HB12 |



| Vertical | 3" series | 4" series | 6" series | 8" series |
|----------|----------------|----------------|----------------|----------------|
| 90° | (†)N-03-90V*12 | (†)N-04-90V*12 | (†)N-06-90V*12 | (†)N-08-90V*12 |
| 45° | (†)N-03-45V*12 | (†)N-04-45V*12 | (†)N-06-45V*12 | (†)N-08-45V*12 |

One pair of splice plates included.

(†) Insert material type for fittings

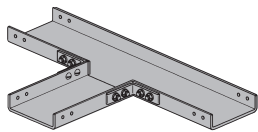
- FCC for Polyester Resin
- FCCV for Vinyl Ester Resin
- FCCA for Zero Halogen/Dis-Stat Resin

● Green = Fastest shipped items ● Black = Normal lead-time items ● Red = Normally long lead-time items

Cable Channel Fittings

All fittings are of mitered construction with 12" (305) radius.

Horizontal Tees

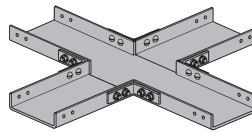


Two pair of splice plates included.

| Catalog No. | Width | |
|-----------------|-------|-----|
| | in. | mm |
| FCC(†)N-03-HT12 | 3 | 76 |
| FCC(†)N-04-HT12 | 4 | 101 |
| FCC(†)N-06-HT12 | 6 | 152 |
| FCC(†)N-08-HT12 | 8 | 203 |

(†) See page fitting material selection bottom of page 352

Horizontal Crosses



Three pair of splice plates included.

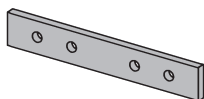
| Catalog No. | Width | |
|-----------------|-------|-----|
| | in. | mm |
| FCC(†)N-03-HX12 | 3 | 76 |
| FCC(†)N-04-HX12 | 4 | 101 |
| FCC(†)N-06-HX12 | 6 | 152 |
| FCC(†)N-08-HX12 | 8 | 203 |

(†) See page fitting material selection bottom of page 352

Cable Channel Splice Plates

Splice Plates

(pairs)
Included with tray sections.

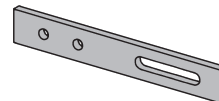


Catalog No.

9(Δ)-1001 SS6

Expansion Splice Plates

(pairs)

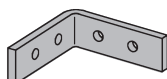


Catalog No.

9(Δ)-1013 SS6

Horizontal 90° Splice Plates

(pairs)

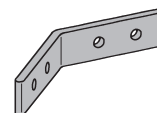


Catalog No.

9(Δ)-1901H SS6

Horizontal 45° Splice Plates

(pairs)

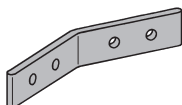


Catalog No.

9(Δ)-1451H SS6

Horizontal 30° Splice Plates

(pairs)



Catalog No.

9(Δ)-1301H SS6

Vertical 90° Splice Plates

(pairs)



Catalog No.

9(Δ)-1901V SS6

Splice plates included with cable channel sections.
Standard hardware for splice plates is 1/4"-20 (316SS).

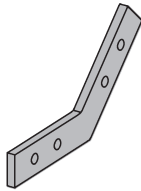
(Δ) See page 348 for material selection

Cable Channel Splice Plates

Vertical 45° Splice Plates (pairs)

Catalog No.

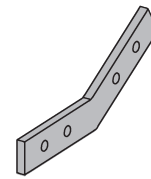
9(Δ)-1451V SS6



Vertical 30° Splice Plates (pairs)

Catalog No.

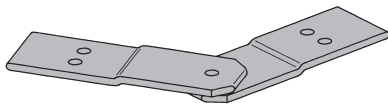
9(Δ)-1301V SS6



Horizontal Adjustable Splice Plates

Catalog No.

9(Δ)-1023 SS6



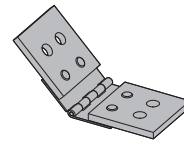
Uses 3/8"-16 hardware.

Vertical Adjustable Splice Plates

Stainless steel hinge FRP body

Catalog No.

9(Δ)-1033 SS6



Uses 3/8"-16 hardware.

Splice plates included with cable channel sections.
Standard hardware for splice plates is 1/4"-20 (316SS). Hardware for adjustable splice plates is 3/8"-16 (316SS).

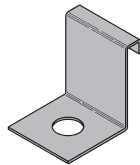
(Δ) See page 348 for material selection

Cable Channel Clamps

Expansion Guide Clamp (one clamp)

- Order 1/2" hardware separately

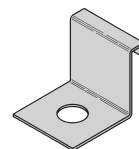
| Catalog No. | Width | |
|---------------|-------|-----|
| | in. | mm |
| ● 9SS6-1248-3 | 3 | 76 |
| ● 9SS6-1248-4 | 4 | 101 |
| ● 9SS6-1248-6 | 6 | 152 |
| ● 9SS6-1248-8 | 8 | 203 |



Hold-Down Clamp (one clamp)

- Order 1/2" hardware separately

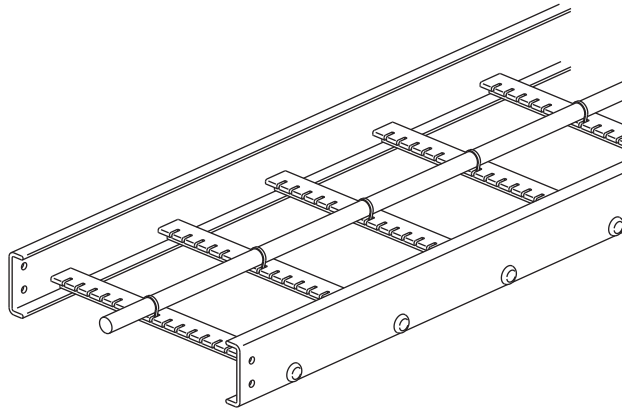
| Catalog No. | Width | |
|---------------|-------|-----|
| | in. | mm |
| ● 9SS6-1247-3 | 3 | 76 |
| ● 9SS6-1247-4 | 4 | 101 |
| ● 9SS6-1247-6 | 6 | 152 |
| ● 9SS6-1247-8 | 8 | 203 |



● Green = Fastest shipped items ● Black = Normal lead-time items ● Red = Normally long lead-time items

Marine Rung Cable Tray/Fiberglass

Patent Pending

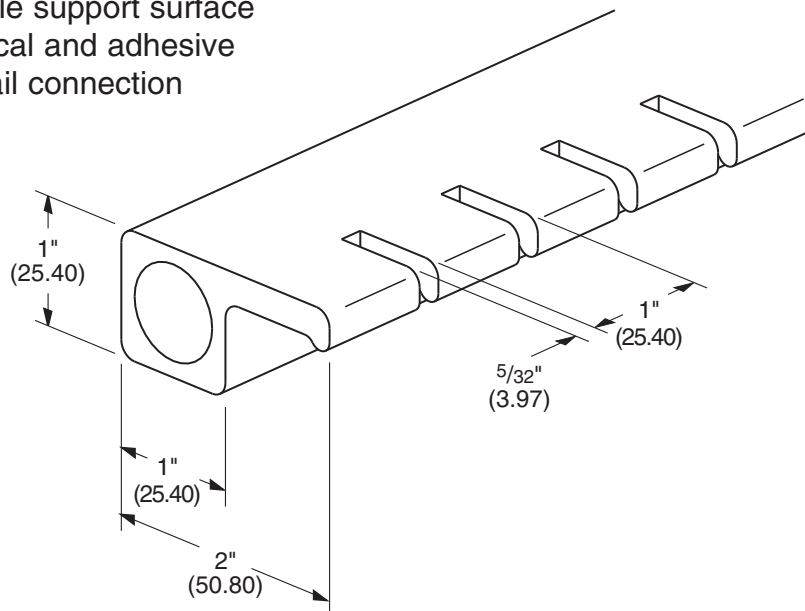


Features:

- For Coast Guard Requirements
 - Allows stainless steel banding of cables
 - $\frac{5}{32}$ " (15.88) slots 1 inch (25.40) on centers
 - Accommodates up to $\frac{5}{8}$ " (.625) banding
- Has applications on land
 - Vertical installation
 - Any location where extra cable positioning is required
- Designed for B-Line Fiberglass Series Cable Trays
- Part Number Indication
 - Add MR after rung spacing
 - Example: 46F09MR-36-240

Rung design provides:

- 2" (50.80) cable support surface
- Both mechanical and adhesive rung to side rail connection



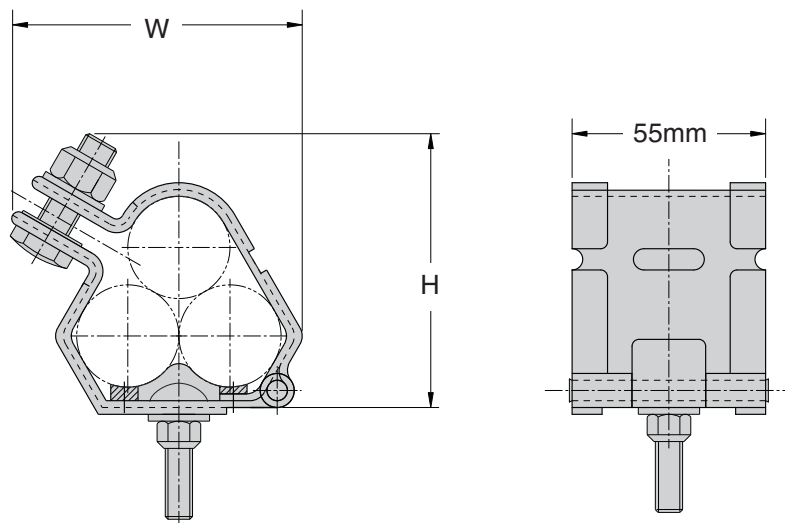
Cable Fixing



Cable Fixing

Trefoil Cable Cleat with LSF Pad

1. Cable Cleats are recommended for installations where the highest levels of short circuit withstand are required.
2. Cable Cleats have been short circuit current tested in accordance with BS EN 50368:2003 standard.
3. Cable Cleats are available for single and trefoil cable applications.
4. Cable Cleat LSF-pad incorporate an integral low smoke, low fume, zero halogen pad.
5. Hardware to attach cleat to rung attachment bracket is included with cleat. Bracket must be ordered separately.



| BS EN 50368:2003 (Cable Cleats for Electric Installations) Classification | |
|---|---|
| Cleat Type | Composite |
| Resistance to Electromechanical Force | 130 kA peak / 50 kA RMS 600 mm spacing |
| Lateral Load Test | 3.439 kg average |
| Axial Load Test | Pass |
| Operating Temperature Range | -40°C to +60°C |
| Impact Resistance | Very Heavy |
| Needle Flame Test | 30 seconds |

| Technical Specifications | |
|--------------------------|--|
| Frame | 50mm x 2mm Marine grade, Non-magnetic 316L |
| Closure Hardware | Captive 316 Stainless Steel M8 or M10 (M12 available) bolt and nylon-lock nut (Optional Hex Flange Lock Nut available) |
| Integral Pad | Low Smoke, Low Fume, Zero Halogen |
| Tools Required | Impact Wrench |
| Mounting Bolt | Provided with Cable Cleat |

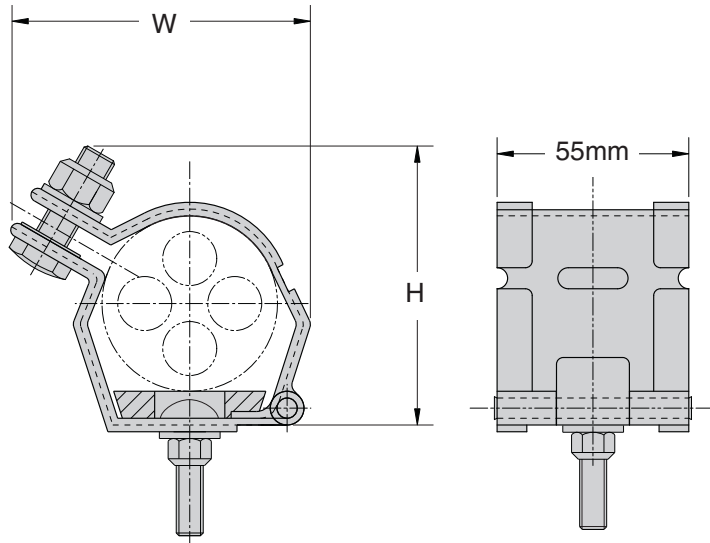
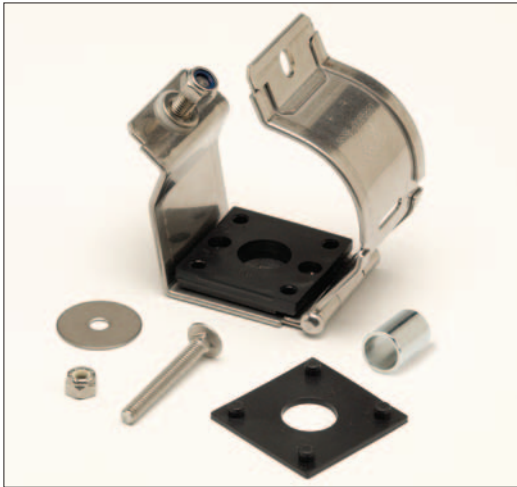
| Part No. | Cable Range (mm) | | Dimensions (mm) | |
|--------------|------------------|-----------|-----------------|-----|
| | Min. Dia. | Max. Dia. | H | W |
| 9SS6-CCT1323 | 13 | 22 | 74 | 66 |
| 9SS6-CCT2125 | 21 | 25 | 77 | 70 |
| 9SS6-CCT2329 | 23 | 29 | 81 | 78 |
| 9SS6-CCT2531 | 25 | 31 | 84 | 81 |
| 9SS6-CCT2733 | 27 | 33 | 86 | 83 |
| 9SS6-CCT2935 | 29 | 35 | 90 | 89 |
| 9SS6-CCT3238 | 32 | 38 | 94 | 95 |
| 9SS6-CCT3541 | 35 | 41.5 | 98 | 100 |
| 9SS6-CCT3844 | 38 | 44.5 | 101 | 104 |
| 9SS6-CCT4248 | 42 | 48 | 105 | 111 |
| 9SS6-CCT4551 | 45 | 51 | 109 | 117 |
| 9SS6-CCT4753 | 47 | 53 | 111 | 120 |
| 9SS6-CCT4955 | 49 | 55 | 114 | 124 |
| 9SS6-CCT5157 | 51 | 57 | 116 | 127 |
| 9SS6-CCT5359 | 53 | 59 | 119 | 133 |
| 9SS6-CCT5561 | 55 | 61 | 127 | 137 |
| 9SS6-CCT5763 | 57 | 63 | 126 | 140 |
| 9SS6-CCT5965 | 59 | 65 | 128 | 144 |

| Part No. | Cable Range (mm) | | Dimensions (mm) | |
|----------------|------------------|-----------|-----------------|-----|
| | Min. Dia. | Max. Dia. | H | W |
| 9SS6-CCT6167 | 61 | 67 | 132 | 147 |
| 9SS6-CCT6369 | 63 | 69 | 136 | 150 |
| 9SS6-CCT6571 | 65 | 71 | 140 | 153 |
| 9SS6-CCT6773 | 67 | 73 | 143 | 156 |
| 9SS6-CCT6975 | 69 | 75 | 147 | 160 |
| 9SS6-CCT7177 | 71 | 77 | 151 | 163 |
| 9SS6-CCT7379 | 73 | 79 | 154 | 166 |
| 9SS6-CCT7581 | 75 | 81 | 158 | 169 |
| 9SS6-CCT7783 | 77 | 83 | 161 | 173 |
| 9SS6-CCT7985 | 79 | 85 | 164 | 176 |
| 9SS6-CCT8187 | 81 | 87 | 169 | 179 |
| 9SS6-CCT8389 | 83 | 89 | 173 | 182 |
| 9SS6-CCT8896 | 88 | 96 | 181 | 192 |
| 9SS6-CCT96103 | 96 | 103 | 190 | 201 |
| 9SS6-CCT103111 | 103 | 111 | 199 | 204 |
| 9SS6-CCT111119 | 111 | 119 | 208 | 213 |
| 9SS6-CCT119128 | 119 | 128 | 217 | 221 |

Cable Fixing

Single Cable Cleat with LSF Pad

1. Cable Cleats are recommended for installations where the highest levels of short circuit withstand are required.
2. Cable Cleats have been short circuit current tested in accordance with BS EN 50368:2003 standard.
3. Cable Cleats are available for single and trefoil cable applications.
4. Cable Cleat LSF-pad incorporate an integral low smoke, low fume, zero halogen pad.
5. Hardware to attach cleat to rung attachment bracket is included with cleat. Bracket must be ordered separately.



| BS EN 50368:2003 (Cable Cleats for Electric Installations) Classification | |
|---|---|
| Cleat Type | Composite |
| Resistance to Electromechanical Force | 130 kA peak / 50 kA RMS 600 mm spacing |
| Lateral Load Test | 3.439 kg average |
| Axial Load Test | Pass |
| Operating Temperature Range | -40°C to +60°C |
| Impact Resistance | Very Heavy |
| Needle Flame Test | 30 seconds |

| Technical Specifications | |
|--------------------------|--|
| Frame | 50mm x 2mm Marine grade, Non-magnetic 316L |
| Closure Hardware | Captive 316 Stainless Steel M8 or M10 (M12 available) bolt and nylon-lock nut (Optional Hex Flange Lock Nut available) |
| Integral Pad | Low Smoke, Low Fume, Zero Halogen |
| Tools Required | Impact Wrench |
| Mounting Bolt | Provided with Cable Cleat |

| Part No. | Cable Range (mm) | | Dimensions (mm) | |
|--------------|------------------|-----------|-----------------|----|
| | Min. Dia. | Max. Dia. | H | W |
| 9SS6-CCS2832 | 28 | 32 | 61 | 55 |
| 9SS6-CCS3034 | 30 | 34 | 63 | 57 |
| 9SS6-CCS3236 | 32 | 36 | 65 | 59 |
| 9SS6-CCS3438 | 34 | 38 | 67 | 61 |
| 9SS6-CCS3640 | 36 | 40 | 69 | 63 |
| 9SS6-CCS3842 | 38 | 42 | 71 | 65 |
| 9SS6-CCS4044 | 40 | 44 | 72 | 67 |
| 9SS6-CCS4246 | 42 | 46 | 74 | 69 |
| 9SS6-CCS4448 | 44 | 48 | 75 | 71 |
| 9SS6-CCS4650 | 46 | 50 | 77 | 73 |
| 9SS6-CCS4852 | 48 | 52 | 79 | 75 |
| 9SS6-CCS5054 | 50 | 54 | 80 | 77 |
| 9SS6-CCS5256 | 52 | 56 | 81 | 79 |
| 9SS6-CCS5458 | 54 | 58 | 83 | 81 |
| 9SS6-CCS5660 | 56 | 60 | 85 | 83 |
| 9SS6-CCS5862 | 58 | 62 | 87 | 85 |
| 9SS6-CCS6064 | 60 | 64 | 88 | 87 |

| Part No. | Cable Range (mm) | | Dimensions (mm) | |
|----------------|------------------|-----------|-----------------|-----|
| | Min. Dia. | Max. Dia. | H | W |
| 9SS6-CCS6266 | 62 | 66 | 88 | 89 |
| 9SS6-CCS6468 | 64 | 68 | 90 | 91 |
| 9SS6-CCS6670 | 66 | 70 | 91 | 93 |
| 9SS6-CCS6872 | 68 | 72 | 93 | 95 |
| 9SS6-CCS7074 | 70 | 74 | 95 | 97 |
| 9SS6-CCS7276 | 72 | 76 | 97 | 99 |
| 9SS6-CCS7478 | 74 | 78 | 99 | 101 |
| 9SS6-CCS7680 | 76 | 80 | 101 | 103 |
| 9SS6-CCS7882 | 76 | 82 | 103 | 105 |
| 9SS6-CCS8084 | 80 | 84 | 105 | 107 |
| 9SS6-CCS8286 | 82 | 86 | 107 | 109 |
| 9SS6-CCS8488 | 84 | 88 | 109 | 111 |
| 9SS6-CCS8690 | 86 | 90 | 110 | 113 |
| 9SS6-CCS9094 | 90 | 94 | 116 | 120 |
| 9SS6-CCS94118 | 94 | 118 | 135 | 137 |
| 9SS6-CCS118130 | 118 | 130 | 141 | 143 |
| 9SS6-CCS127150 | 127 | 150 | 162 | 165 |

Step 1: Know Your Cables

- What type of cable is being used?
 - Single or Multi-conductor
- What is the outside diameter of the cable(s)?
- What is the cable arrangement (single conductor cables only)?
 - Flat or Trefoil
- If a ground wire will be installed within the cleat, you will need the ground wire outside diameter.

Step 2: Know Your System

- What is the available short circuit current (RMS or i_p (peak))?
- What type of Cooper B-Line cable tray is installed?

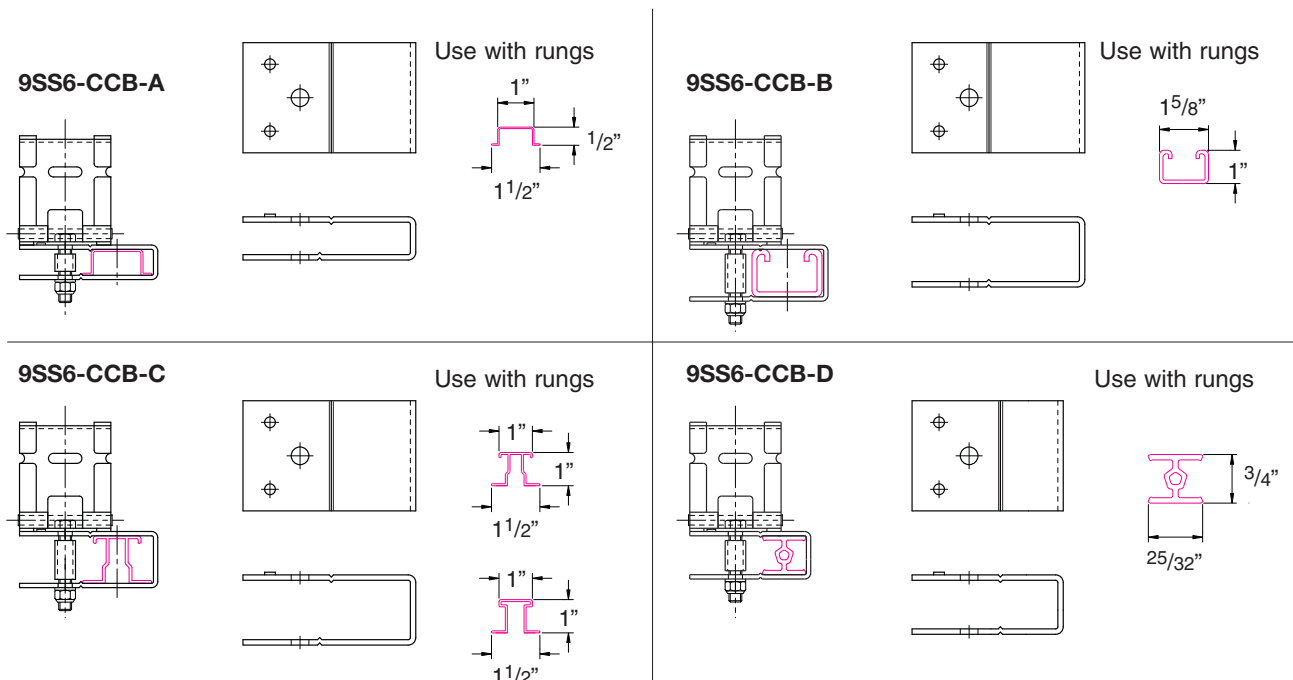
Step 3: Select Your Cable Cleats

- See Pages 357 & 358

Step 4: Select Your Mounting Bracket

Mounting brackets are used to attach cable cleats to the rungs of the ladder type cable trays. Your tray type will determine the mounting bracket used.

| Cooper B-Line Tray Types | Mounting Bracket |
|---|------------------|
| Aluminum welded rung trays with standard rungs. Steel Series 2, 3, 4 or 5, trays with standard rungs Fiberglass trays with standard rungs | 9SS6-CCB-C |
| REDI-Rail™ Cable Tray | 9SS6-CCB-D |
| Steel trays with strut rungs Aluminum trays with "Marine Rungs" | 9SS6-CCB-B |
| Steel Series 1 trays with standard rungs | 9SS6-CCB-A |

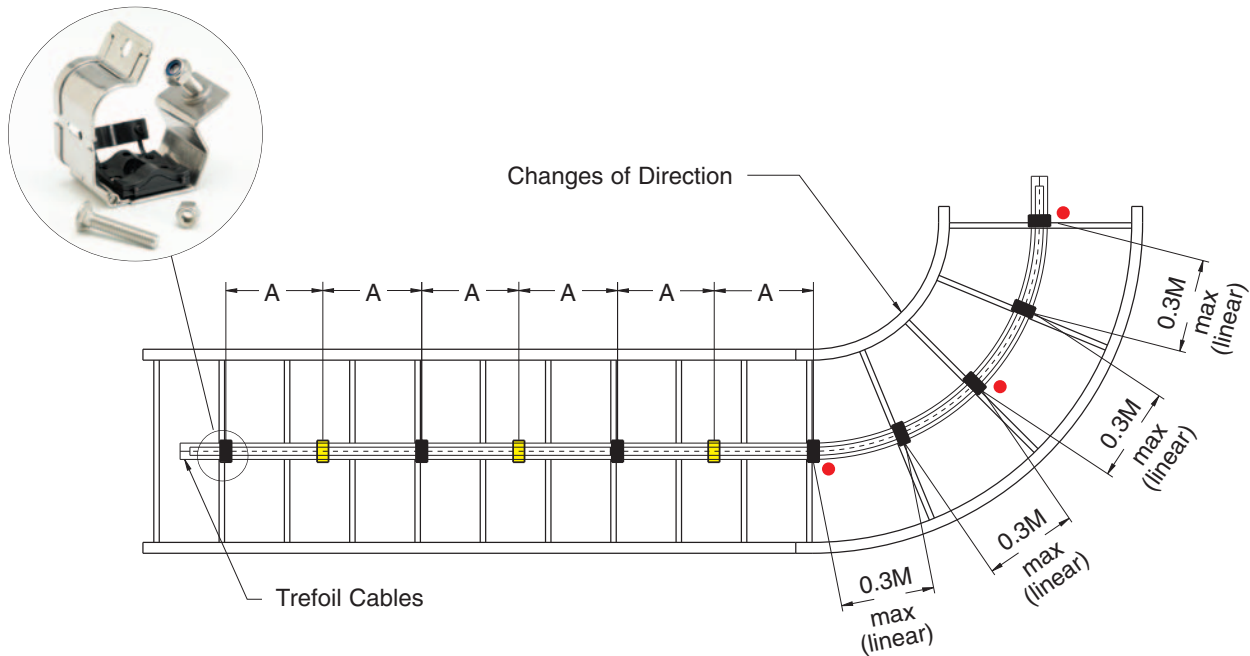


Cable Fixing

Step 5: Determine Cleat Spacing for Installation

Your cable diameter is equal to the spacing between conductor centers shown below. Find your cable diameter at the top of the table and look down at the column below it. Find the value equal to or greater than the available short circuit for your system.

| Single Conductor Short Circuit Withstand Table | | | | | | | | | | | | | |
|--|-----|--|-----|-----|-----|-----|-----|-----|-----|-----|-----|-----|-----|
| Max. Cable Cleat Spacing (A) | | Spacing Between Conductor Centers (mm) | | | | | | | | | | | |
| | | 23 | 25 | 27 | 29 | 31 | 33 | 35 | 37 | 39 | 41 | 43 | 45 |
| mm | In. | i_p peak (kA) | | | | | | | | | | | |
| 225 | 9 | 179 | 187 | 194 | 203 | 209 | 216 | 220 | 229 | 234 | 240 | 246 | 250 |
| 300 | 12 | 155 | 163 | 168 | 174 | 181 | 187 | 192 | 198 | 203 | 209 | 214 | 215 |
| 450 | 18 | 128 | 133 | 137 | 144 | 148 | 152 | 157 | 161 | 165 | 170 | 174 | 178 |
| 600 | 24 | 110 | 115 | 119 | 124 | 128 | 132 | 135 | 139 | 143 | 148 | 150 | 153 |
| 675 | 27 | 104 | 108 | 113 | 117 | 121 | 124 | 128 | 132 | 135 | 139 | 143 | 147 |
| 900 | 36 | 89 | 93 | 97 | 102 | 104 | 108 | 110 | 115 | 117 | 121 | 124 | 127 |



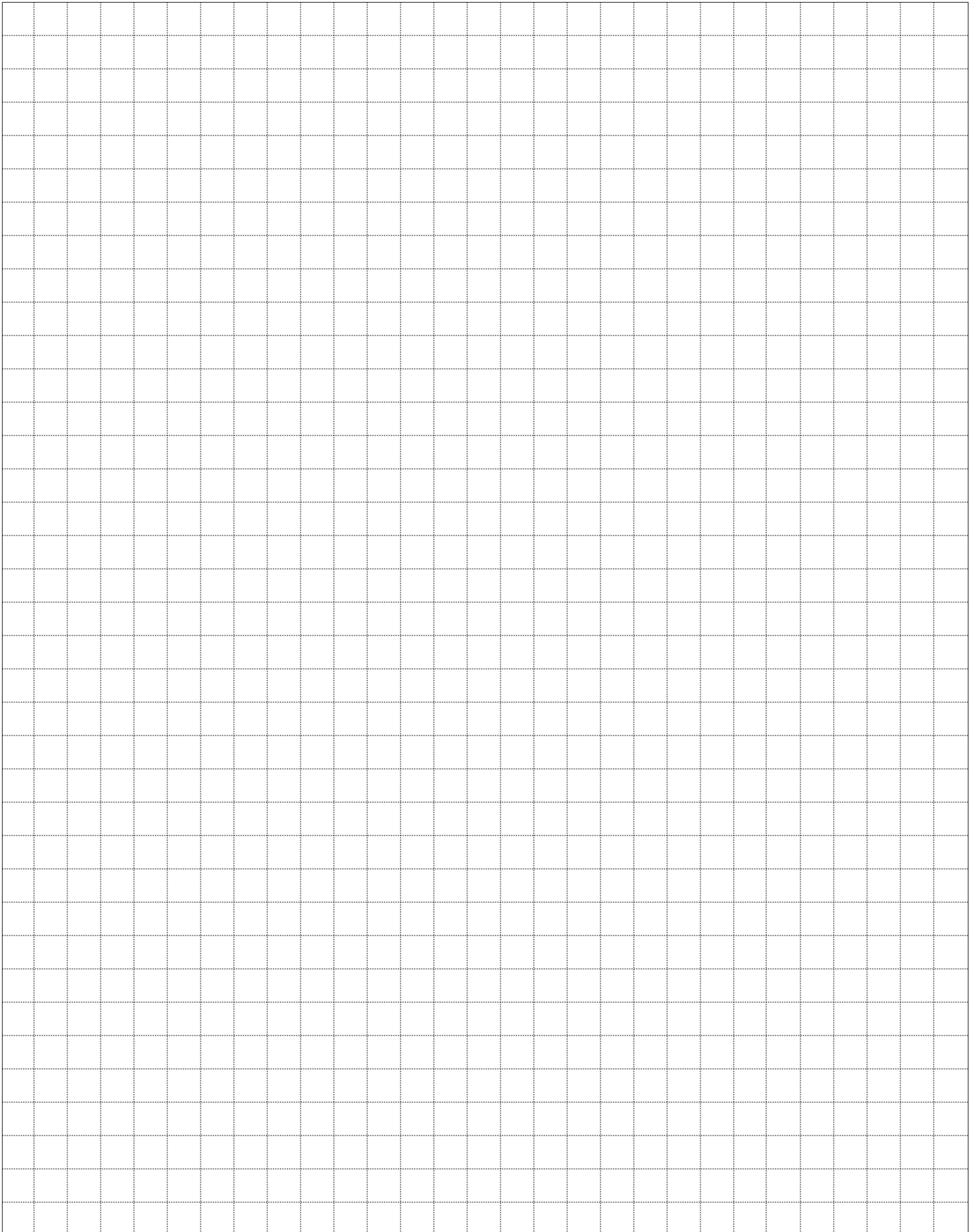
IMPORTANT: Recommended Installation Procedures

It is important that the cleats are installed properly to secure your cables:

- It is not necessary for every cleat to be attached to the tray. Every other cleat (■) must be attached to the tray system to mount cable in tray. Unattached cleats (□) provide additional restraint to keep cables bundled.
- The bend radius should be 8 to 12 times the cable diameter.
- Cleats should always be installed at the beginning, middle and end of a bend (●), and at no time should the distance between cleats on a bend be more than 0.3M center to center.

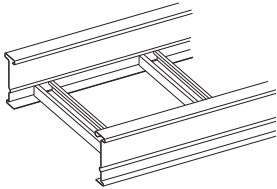
Cooper B-Line Sales Engineers are available to assist you in selecting your cable cleats.

Phone: (800) 851-7415 ext. 366



These options are in addition to the Standard Ladder Rungs, Ventilated Trough and Solid Trough type Cable Trays.

Ladder with Strut Rungs



- B44 strut installed as rungs.
- Strut orientation may be channel opening up, channel opening down, or alternating - standard is alternating unless specified otherwise.
- Strut may be solid back or with slotted hole pattern "SH".
- The Cooper B-Line strut rung system offers additional cable clamping options relative to the chosen slot orientation.

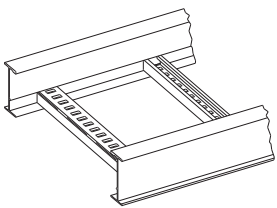
Examples: 248G09B44-12-144

Strut rung on 9" centers with alternating slot orientation.

248G12B44SHDN-12-144

"SH" Strut rung on 12" centers with channel opening down (Note: replace "DN" with "UP" for channel opening up.)

Marine Rung (Available in Aluminum, HDGAF Steel and Stainless Steel)



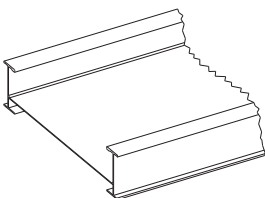
(Aluminum Shown)

- Designed for Series 3 or heavier systems.
- Special rung design to accommodate stainless steel banding of cables (U.S. Coast Guard requirement) with .25" x .69" slots.
- Has applications on land, vertical installation, any location where extra cable positioning/attachment is required.
- Rung strength - Aluminum supports 499 lbs. per rung on 36" wide system with a 1.5 safety factor. Steel supports 755 lbs. per rung on 36" wide system with a 1.5 safety factor.
- New design provides combination of strut fastening and marine rung fastening.

Example: 46A12MR-36-288 or 464G12MR-36-288

Special Rung Spacings: 4" & 18" rung spacing available upon request.

Non-Ventilated



- Solid flat sheet welded into the Cable Tray above the rungs.
- Standard rung spacing is 12 inches.
- The flat sheet may be installed under the rungs, if preferred.
- The flat sheet may be installed over B54 rungs "slot down".

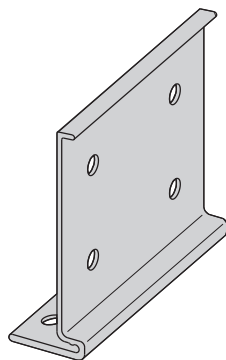
Examples: 24ASB-36-144

Flat sheet bottom over standard rung on 12" spacing.

24ASBB54-36-144

Flat sheet bottom over B54 strut rung slot down on 12" spacing.

B-Line's 9A-6006 and 9A-6007 Aluminum Mid-Span Splice



Features

- Standard for H46A, H47A and 57A straight sections.
- Allows random splice location.
- Six bolt design 1/2" Stainless Steel Type 316 hardware standard.
- Available on ladder bottoms only.
 - 09" and 12" rung spacing.

| Tray Series | Catalog No. |
|-------------|-------------|
| H46A | 9A-6006 |
| H47A | 9A-6007 |
| 57A | 9A-6007 |

The Cable Tray:

H46A

Tested to:

- 167 lbs/ft (safety factor 1.5)
- 125 lbs/ft (safety factor 2.0)
- 20 ft. simple beam test
 - 12" rung spacing • 36" wide

H47A

Tested to:

- 149 lbs/ft (safety factor 1.5)
- 112 lbs/ft (safety factor 2.0)
- 20 ft. simple beam test
 - 12" rung spacing • 36" wide

The Splice:

9A-6006

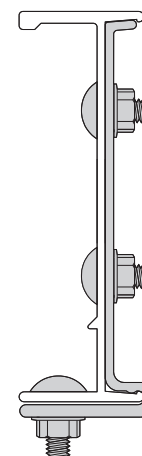
Tested to:

- 135 lbs/ft (safety factor 1.5)
- 101 lbs/ft (safety factor 2.0)
- 20 ft. simple beam test
 - mid-span splice

9A-6007

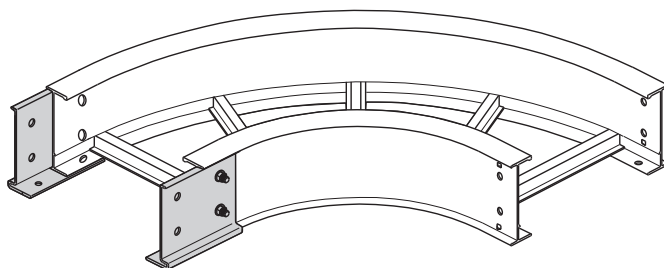
Tested to:

- 143 lbs/ft (safety factor 1.5)
- 107 lbs/ft (safety factor 2.0)
- 20 ft. simple beam test
 - mid-span splice



Options: The 9A-6006 and 9A-6007 splice is also available with B-Line's 46A and 47A series cable tray systems

- Available on ladder bottoms only (09" and 12" rung spacing).
- Available on 240" (20') or longer span straight sections.
- To order add "MS" to part number: Ex. 46AMS09-24-288.
- For standard 6A or 7A fittings with H46A or H47A systems an additional pair of standard splice plates is required (9A-1006 or 9A-1007).



One pair 9A-6006 or 9A-6007 included.

Also available:

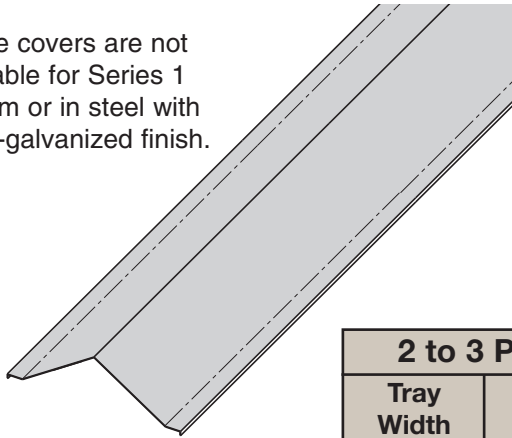
H6A and H7A Fittings

- Ladder bottom only (09" RS).
- Incorporates the 9A-6006 or 9A-6007 splice.
- Example: H6A-12-90HB24 or H7A-12-90HB24

Appendix - Special Purpose Peaked Covers

Special Purpose 2 to 3 Pitch Peaked Covers

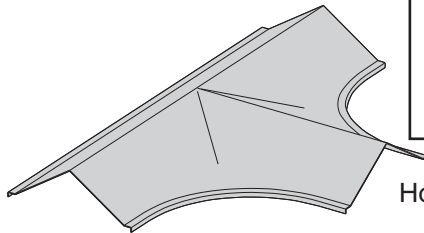
These covers are not available for Series 1 system or in steel with a pre-galvanized finish.



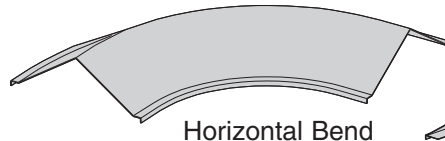
Features

- 33° slope to shed precipitants.
- Heavy construction - made for the industrial environment.
- Available in aluminum and steel; hot dip galvanized after fabrication (HDGAF ASTM A-123), 304 stainless and 316 stainless.
- Available in flanged design only.
- Fittings are in multiple piece welded construction.
- Expanding/Reducing HT and HX covers are not available.

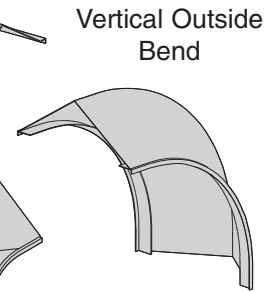
| 2 to 3 Pitch | |
|--------------|-------------|
| Tray Width | Peak Height |
| 6" | 2" |
| 9" | 3" |
| 12" | 4" |
| 18" | 6" |
| 24" | 8" |
| 30" | 10" |
| 36" | 12" |



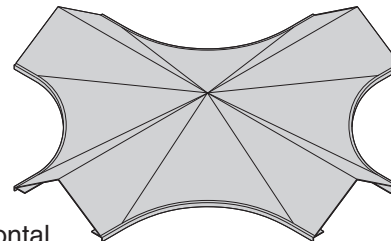
Horizontal Tee



Horizontal Bend



Vertical Outside Bend



Horizontal Cross

Catalog Number Selector

Example: **83** **7** **A** **80** - **24** - **144**

Cover Type

- 83 = 2 to 3 Pitch Peaked

Detail

- 7 = Flanged Aluminum
- 2 = Flanged Steel (248, 258, 268 straight sections & fittings)
- 3 = Flanged Steel (All straight sections except 248, 258, 268)

Material

- A = Aluminum
- G = HDGAF ASTM A-123
- SS4 = 304 Stainless Steel
- SS6 = 316 Stainless Steel

Material Thickness

- 80 = .080 Aluminum straight section
- 125 = .125 Aluminum fittings
- 16 = 16 Ga. Steel straight sections.
- 18 = 18 Ga. Steel fittings.

Tray Width

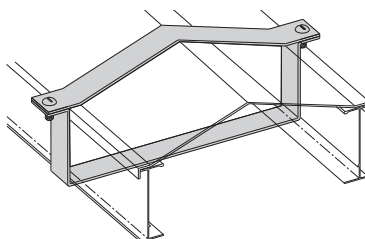
- 06 = 6"
- 09 = 9"
- 12 = 12"
- 18 = 18"
- 24 = 24"
- 30 = 30"
- 36 = 36"

Item Description

- 144 = 12 ft. (3.66 m)
- 120 = 10 ft. (3.05 m)
- 72 = 6 ft. (1.83 m)
- 60 = 5 ft. (1.52 m)

2 to 3 Pitch Cover Clamp

- Recommended for outdoor service.



| Side Rail Height in. mm | Catalog No. Aluminum | | Catalog No. Steel | |
|----------------------------|----------------------|---------------|-------------------|-----------------|
| | Aluminum | Aluminum | Steel | Stainless Steel |
| 4 101 | ● 9A-(#)-9P44 | ● 9G-(#)-9P44 | ● 9G-(#)-9P44 | ● 9**-(#)-9P44 |
| 5 127 | ● 9A-(#)-9P54 | ● 9G-(#)-9P54 | ● 9G-(#)-9P54 | ● 9**-(#)-9P54 |
| 6 152 | ● 9A-(#)-9P64 | ● 9G-(#)-9P64 | ● 9G-(#)-9P64 | ● 9**-(#)-9P64 |
| 7 178 | ● 9A-(#)-9P74 | ● 9G-(#)-9P74 | ● 9G-(#)-9P74 | ● 9**-(#)-9P74 |

(#) Insert tray width

(**) Insert SS4 or SS6

● Green = Fastest shipped items ● Black = Normal lead-time items ● Red = Normally long lead-time items

Reference Material - Methods Permitted

Wiring methods permitted in cable tray per the 2005 NEC®

- | | |
|---|-----------------------------------|
| 1. Armored cable | (Article 320) |
| 2. Electrical metallic tubing | (Article 358) |
| 3. Electrical nonmetallic tubing | (Article 362) |
| 4. Fire alarm cables | (Article 760) |
| 5. Flexible metal conduit | (Article 348) |
| 6. Flexible metallic tubing | (Article 360) |
| 7. Instrumentation tray cable | (Article 727) |
| 8. Intermediate metal conduit | (Article 342) |
| 9. Liquidtight flexible metal conduit | (Article 350) |
| 10. Liquidtight flexible nonmetallic conduit | (Article 356) |
| 11. Metal-clad cable | (Article 330) |
| 12. Mineral-insulated, metal-sheathed cable | (Article 332) |
| 13. Multiconductor service-entrance cable | (Article 338) |
| 14. Multiconductor underground feeder and branch-circuit cable | (Article 340) |
| 15. Multipurpose and communications cables | (Article 800) |
| 16. Nonmetallic-sheathed cable | (Article 334) |
| 17. Power and control tray cable | (Article 336) |
| 18. Power-limited tray cable | (Section 725.61(C) and 725.71(E)) |
| 19. Optical fiber cables | (Article 770) |
| 20. Other factory-assembled, multiconductor control, signal, or power cables that are specifically approved for installation in cable trays | |
| 21. Rigid metal conduit | (Article 344) |
| 22. Rigid nonmetallic conduit | (Article 352) |

Reference Material - Formulas

Formulas

• Allowable load: $w = \frac{F96Sx}{L^2}$

• Deflection: $\Delta = \frac{5WL^3}{384EIx}$
 $= \frac{5wL^4}{4608EIx}$

• Stress: $F = \frac{wL^2}{96Sx}$

• Deflection Multiplier (K) = $\frac{\text{deflection}}{w}$
 $= \frac{5L^4}{4608EIx}$

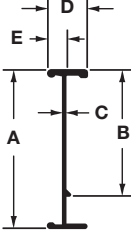
• Max. Working Load = $\frac{\text{Max. deflection}}{\text{Deflection Multiplier}}$

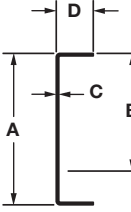
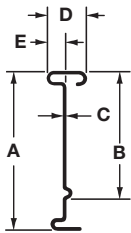
| Legend | |
|--------|--|
| w | = load (lbs/ft) |
| W | = total load across span (lbs) |
| F | = design stress (lbs/in ²) |
| L | = span (inches) |
| Sx | = section modulus for 2 rails (in ³) (see page 366 for Sx values) |
| E | = 10 million for Alum. (lb/in. ²) 29 million for Steel (lb/in. ²) |
| Ix | = moment of inertia for 2 rails (in ⁴) (see page 366 for Ix values) |

Reference Material - Side Rails

Cable Tray Side Rails

Design Data For One Rail

| Aluminum Side Rails  A - Side Rail Height B - Loading Depth C - Web Thickness D - Flange Width | B-Line Series | Side Rail Height | A (in.) | B (in.) | C (in.) | D (in.) | E (in.) | Sx (in. ³) | Ix (in. ⁴) | Area (in. ²) | Weight (lbs./ft.) |
|---|---------------|------------------|---------|---------|---------|---------|---------|------------------------|------------------------|--------------------------|-------------------|
| | 24 | 4 | 4.12 | 3.05 | .060 | 1.75 | .740 | .67 | 1.43 | .525 | .62 |
| | M24 | 4 | 4.18 | 3.09 | .080 | 1.75 | .760 | .84 | 1.93 | .750 | .83 |
| | 34 | 4 | 4.20 | 3.08 | .100 | 1.75 | .750 | 1.05 | 2.49 | .902 | 1.06 |
| | 25 | 5 | 5.00 | 3.93 | .068 | 1.75 | .748 | .90 | 2.31 | .620 | .72 |
| | 35 | 5 | 5.06 | 3.96 | .090 | 1.75 | .745 | 1.18 | 3.19 | .857 | .98 |
| | 26 | 6 | 6.12 | 5.04 | .065 | 2.00 | .745 | 1.26 | 3.95 | .698 | .82 |
| | 36 | 6 | 6.17 | 5.06 | .075 | 2.00 | .725 | 1.68 | 5.42 | .903 | 1.05 |
| | 46 | 6 | 6.19 | 5.08 | .085 | 2.00 | .650 | 1.79 | 6.09 | .989 | 1.17 |
| | M46 | 6 | 6.20 | 5.09 | .100 | 2.00 | .750 | 1.89 | 6.36 | 1.116 | 1.30 |
| | H46 | 6 | 6.24 | 5.09 | .130 | 2.00 | .750 | 2.67 | 8.65 | 1.473 | 1.74 |
| | 37 | 7 | 7.14 | 6.05 | .075 | 2.00 | .750 | 1.88 | 6.75 | .904 | 1.06 |
| | 47 | 7 | 7.24 | 6.13 | .100 | 2.00 | .675 | 2.47 | 8.94 | 1.189 | 1.40 |
| | H47 | 7 | 7.24 | 6.09 | .125 | 2.00 | .675 | 3.05 | 11.46 | 1.520 | 1.77 |
| | 57 | 7 | 7.40 | 6.23 | .160 | 2.00 | .875 | 3.86 | 16.43 | 2.114 | 2.46 |
| S8A | 8 | 8.00 | 6.17 | .170 | 3.00 | 1.000 | 7.69 | 27.67 | 2.754 | 3.20 | |

| Steel Side Rails  Series One Rail Only  All Other Steel Rails A - Side Rail Height B - Loading Depth C - Web Thickness D - Flange Width | B-Line Series | Side Rail Height | A (in.) | B (in.) | C (in.) | D (in.) | E (in.) | Sx (in. ³) | Ix (in. ⁴) | Area (in. ²) | Weight (lbs./ft.) |
|--|---------------|------------------|---------|---------|---------|---------|---------|------------------------|------------------------|--------------------------|-------------------|
| | 148 | 4 | 3.625 | 3.125 | .048 | .875 | -- | .25 | .45 | .251 | .84 |
| | 156 | 5 | 4.188 | 3.688 | .060 | .875 | -- | .36 | .76 | .340 | 1.16 |
| | 166 | 6 | 5.188 | 4.688 | .060 | .750 | -- | .46 | 1.20 | .385 | 1.31 |
| | 176 | 7 | 6.188 | 5.688 | .060 | .750 | -- | .64 | 1.90 | .444 | 1.52 |
| | 248 | 4 | 4.188 | 3.14 | .048 | 1.000 | .392 | .32 | .72 | .313 | 1.17 |
| | 346 | 4 | 4.188 | 3.13 | .060 | 1.500 | .655 | .48 | 1.11 | .449 | 1.64 |
| | 444 | 4 | 4.188 | 3.11 | .075 | 1.500 | .670 | .64 | 1.47 | .561 | 2.02 |
| | 258 | 5 | 5.188 | 4.14 | .048 | 1.000 | .392 | .45 | 1.22 | .361 | 1.34 |
| | 356 | 5 | 5.188 | 4.13 | .060 | 1.500 | .655 | .66 | 1.86 | .509 | 1.86 |
| | 454 | 5 | 5.188 | 4.11 | .075 | 1.500 | .670 | .87 | 2.48 | .636 | 2.29 |
| | 268 | 6 | 6.188 | 5.14 | .048 | 1.000 | .392 | .59 | 1.90 | .409 | 1.52 |
| | 368 | 6 | 6.188 | 5.13 | .048 | 1.500 | .643 | .71 | 2.39 | .457 | 1.70 |
| | 366 | 6 | 6.188 | 5.14 | .060 | 1.500 | .655 | .85 | 2.87 | .569 | 2.08 |
| | 464 | 6 | 6.188 | 5.11 | .075 | 1.500 | .670 | 1.14 | 3.83 | .711 | 2.56 |
| | 378 | 7 | 7.188 | 6.14 | .048 | 1.500 | .643 | .89 | 3.45 | .505 | 1.88 |
| | 476 | 7 | 7.188 | 6.13 | .060 | 1.500 | .655 | 1.07 | 4.15 | .629 | 2.30 |
| | 574 | 7 | 7.188 | 6.11 | .075 | 1.500 | .670 | 1.43 | 5.55 | .792 | 2.83 |

Design Factors: Ix = Moment of Inertia, Sx = Section Modulus

Cable Tray Bottom Members

Ladder Type Rungs

| Rung Type | Design Factors | Material Type | Single Rung Uniform Load Capacity (in Lbs.) with safety factor of 1.5 | | | | | | |
|-----------|--|----------------------|---|------|------|------|------|------|-----|
| | | | Tray Width | | | | | | |
| | | | 6 | 9 | 12 | 18 | 24 | 30 | 36 |
| | $I_x = .0361 \text{ in.}^4$ $S_x = .0707 \text{ in.}^3$ | Aluminum | | | | 766 | 575 | | |
| | $I_x = .0432 \text{ in.}^4$ $S_x = .0877 \text{ in.}^3$ | Aluminum | | | | | | 594 | 495 |
| | $I_x = .0249 \text{ in.}^4$ $S_x = .0528 \text{ in.}^3$ | Steel | 2912 | 1941 | 1456 | 971 | 728 | | |
| | $I_x = .0312 \text{ in.}^4$ $S_x = .0661 \text{ in.}^3$ | Steel | | | | | | 749 | 624 |
| | $I_x = .0450 \text{ in.}^4$ $S_x = .0787 \text{ in.}^3$ | Aluminum Strut Rung | 3328 | 2219 | 1664 | 1109 | 832 | 666 | 555 |
| | $I_x = .0445 \text{ in.}^4$ $S_x = .0782 \text{ in.}^3$ | Steel Strut Rung | 5172 | 3448 | 2586 | 1724 | 1293 | 1034 | 862 |
| | $I_x = .0130 \text{ in.}^4$ $S_x = .0344 \text{ in.}^3$ | Redi-Rail | 1480 | 987 | 740 | 493 | 370 | 296 | 224 |
| | $I_x = .0039 \text{ in.}^4$ $S_x = .0134 \text{ in.}^3$ | Steel Series 1 | 981 | 654 | 491 | 327 | 245 | | |
| | $I_x = .0047 \text{ in.}^4$ $S_x = .0164 \text{ in.}^3$ | Steel Series 1 | | | | | | 230 | 192 |
| | $I_x = .0353 \text{ in.}^4$ $S_x = .0708 \text{ in.}^3$ | Aluminum Marine Rung | 2996 | 1997 | 1498 | 999 | 749 | 599 | 499 |
| | $I_x = .0347 \text{ in.}^4$ $S_x = .0685 \text{ in.}^3$ | Steel Marine Rung | 4530 | 3020 | 2265 | 1510 | 1133 | 906 | 755 |

Corrugated Bottoms (Ventilated and Solid)

| Bottom Type | Design Factors | Material Type | Single Rung Load Capacity (in Lbs.) with safety factor of 1.5 | | | | | | |
|-------------|--|------------------|---|------|------|-----|-----|-----|-----|
| | | | Tray Width | | | | | | |
| | | | 6 | 9 | 12 | 18 | 24 | 30 | 36 |
| | $I_x = .0455 \text{ in.}^4$ $S_x = .0898 \text{ in.}^3$ | Aluminum | 3141 | 2029 | 1491 | 970 | 726 | 660 | 594 |
| | $I_x = .0348 \text{ in.}^4$ $S_x = .0667 \text{ in.}^3$ | Steel | 2973 | 1946 | 1445 | 955 | 711 | 650 | 590 |
| | $I_x = .0185 \text{ in.}^4$ $S_x = .0503 \text{ in.}^3$ | Series 148 Steel | 2645 | 1763 | 1323 | 881 | 661 | | |

Reference Material - Cable Tray Weights

Series 1

Steel Side Rail Weights

| Tray Series | | 148 | 156 | 166 | 176 |
|----------------------------|--------|------|------|------|------|
| Weight for 2 Side Rails | lbs/ft | 1.68 | 2.32 | 2.62 | 3.03 |
| | kg/m | 2.50 | 3.45 | 3.90 | 4.51 |

Example:
Weight for 148P09-12-144
= 1.68 lbs/ft + .51 lbs/ft = 2.19 lbs/ft
= (2.19 lbs/ft) (12 ft) = 26.28 lbs.

Tray Bottom Weights

| Tray Width (inches) | | | 6 | 9 | 12 | 18 | 24 | 30 | 36 |
|-----------------------------------|----------------------------|--------|------|------|------|------|------|------|------|
| All Series 1 Steel | 6" Spacing Rung Weight | lbs/ft | 0.38 | 0.57 | 0.76 | 1.14 | 1.52 | 2.25 | 2.70 |
| | | kg/m | 0.57 | 0.85 | 1.13 | 1.70 | 2.26 | 3.35 | 4.02 |
| | 9" Spacing Rung Weight | lbs/ft | 0.25 | 0.38 | 0.51 | 0.76 | 1.01 | 1.50 | 1.80 |
| | | kg/m | 0.38 | 0.57 | 0.75 | 1.13 | 1.51 | 2.23 | 2.68 |
| | 12" Spacing Rung Weight | lbs/ft | 0.19 | 0.29 | 0.38 | 0.57 | 0.76 | 1.13 | 1.35 |
| | | kg/m | 0.29 | 0.43 | 0.57 | 0.85 | 1.13 | 1.68 | 2.01 |
| Series 148 Steel | Vented Trough Weight | lbs/ft | 0.48 | 0.72 | 0.95 | 1.43 | 1.91 | 2.39 | 2.86 |
| | | kg/m | 0.71 | 1.06 | 1.42 | 2.13 | 2.84 | 3.55 | 4.26 |
| | Solid Trough Weight | lbs/ft | 0.60 | 0.90 | 1.20 | 1.80 | 2.39 | 2.99 | 3.59 |
| | | kg/m | 0.89 | 1.34 | 1.78 | 2.67 | 3.56 | 4.45 | 5.34 |
| Series 156, 166 & 176 Steel | 4" Vented Rung Weight | lbs/ft | 0.57 | 0.86 | 1.14 | 1.71 | 2.28 | 3.37 | 3.42 |
| | | kg/m | 0.85 | 1.27 | 1.70 | 2.54 | 3.39 | 5.02 | 5.09 |
| | Solid Bottom Weight | lbs/ft | 1.01 | 1.51 | 2.01 | 3.02 | 4.02 | 5.20 | 6.25 |
| | | kg/m | 1.50 | 2.24 | 2.99 | 4.49 | 5.98 | 7.74 | 9.29 |

When using steel tray that is hot dip galvanized after fabrication add 9.6% to weights.

Series 2, 3, 4 or 5

Aluminum Side Rail Weights

| Tray Series | | 24 | M24 | 34 | 25 | 35 | 26 | 36 | 46 | M46 | H46 | 37 | 47 | H47 | 57 |
|----------------------------|--------|------|------|------|------|------|------|------|------|------|------|------|------|------|------|
| Weight for 2 Side Rails | lbs/ft | 1.23 | 1.66 | 2.12 | 1.44 | 1.96 | 1.64 | 2.09 | 2.33 | 2.60 | 3.47 | 2.12 | 2.80 | 3.54 | 4.92 |
| | kg/m | 1.83 | 2.47 | 3.15 | 2.14 | 2.92 | 2.44 | 3.11 | 3.47 | 3.87 | 5.16 | 3.15 | 4.16 | 5.27 | 7.32 |

Steel Side Rail Weights

| Tray Series | | 248 | 346 | 444 | 258 | 356 | 454 | 268 | 368 | 366 | 464 | 378 | 476 | 574 |
|----------------------------|--------|------|------|------|------|------|------|------|------|------|------|------|------|------|
| Weight for 2 Side Rails | lbs/ft | 2.34 | 3.28 | 4.04 | 2.68 | 3.72 | 4.58 | 3.04 | 3.40 | 4.16 | 5.12 | 3.76 | 4.60 | 5.66 |
| | kg/m | 3.48 | 4.88 | 6.01 | 3.99 | 5.54 | 6.82 | 4.52 | 5.06 | 6.19 | 7.62 | 5.59 | 6.84 | 8.42 |

Series 2, 3, 4 or 5 weights continued on page 369.

Reference Material - Cable Tray Weights

Series 2, 3, 4 or 5

Tray Bottom Weights

| Tray Width (inches) | | | 6 | 9 | 12 | 18 | 24 | 30 | 36 | 42 |
|---------------------------|-------------------------|--------|------|------|------|------|------|------|------|------|
| All Series 2,3,4 Aluminum | 6" Spacing Rung Weight | lbs/ft | 0.30 | 0.44 | 0.59 | 0.89 | 1.18 | 1.70 | 2.04 | 2.38 |
| | | kg/m | 0.44 | 0.66 | 0.88 | 1.32 | 1.76 | 2.53 | 3.04 | 3.54 |
| | 9" Spacing Rung Weight | lbs/ft | 0.20 | 0.29 | 0.39 | 0.59 | 0.78 | 1.13 | 1.36 | 1.58 |
| | | kg/m | 0.29 | 0.44 | 0.58 | 0.87 | 1.16 | 1.68 | 2.02 | 2.35 |
| | 12" Spacing Rung Weight | lbs/ft | 0.15 | 0.22 | 0.29 | 0.44 | 0.58 | 0.85 | 1.02 | 1.19 |
| | | kg/m | 0.22 | 0.32 | 0.43 | 0.65 | 0.86 | 1.26 | 1.52 | 1.77 |
| | 18" Spacing Rung Weight | lbs/ft | 0.10 | 0.15 | 0.20 | 0.30 | 0.40 | 0.57 | 0.68 | 0.80 |
| | | kg/m | 0.15 | 0.22 | 0.30 | 0.45 | 0.60 | 0.85 | 1.02 | 1.19 |
| | Vented Trough Weight | lbs/ft | 0.25 | 0.38 | 0.50 | 0.75 | 1.00 | 1.25 | 1.50 | 1.75 |
| | | kg/m | 0.37 | 0.56 | 0.74 | 1.12 | 1.49 | 1.86 | 2.23 | 2.60 |
| | Solid Trough Weight | lbs/ft | 0.31 | 0.46 | 0.61 | 0.92 | 1.22 | 1.53 | 1.83 | 2.14 |
| | | kg/m | 0.45 | 0.68 | 0.91 | 1.36 | 1.82 | 2.27 | 2.72 | 3.18 |
| All Series 2,3,4,5 Steel | 6" Spacing Rung Weight | lbs/ft | 0.62 | 0.92 | 1.23 | 1.85 | 2.46 | 3.67 | 4.40 | 5.14 |
| | | kg/m | 0.92 | 1.37 | 1.83 | 2.75 | 3.66 | 5.46 | 6.55 | 7.65 |
| | 9" Spacing Rung Weight | lbs/ft | 0.41 | 0.62 | 0.82 | 1.23 | 1.64 | 2.45 | 2.94 | 3.43 |
| | | kg/m | 0.61 | 0.92 | 1.22 | 1.83 | 2.44 | 3.65 | 4.37 | 5.10 |
| | 12" Spacing Rung Weight | lbs/ft | 0.31 | 0.47 | 0.62 | 0.93 | 1.24 | 1.84 | 2.21 | 2.58 |
| | | kg/m | 0.46 | 0.69 | 0.92 | 1.38 | 1.85 | 2.74 | 3.29 | 3.83 |
| | 18" Spacing Rung Weight | lbs/ft | 0.21 | 0.31 | 0.41 | 0.62 | 0.82 | 1.22 | 1.46 | 1.71 |
| | | kg/m | 0.31 | 0.46 | 0.61 | 0.92 | 1.22 | 1.82 | 2.18 | 2.54 |
| | Vented Trough Weight | lbs/ft | 0.53 | 0.80 | 1.06 | 1.59 | 2.12 | 2.65 | 3.18 | 3.71 |
| | | kg/m | 0.79 | 1.18 | 1.58 | 2.37 | 3.15 | 3.94 | 4.73 | 5.52 |
| | Solid Trough Weight | lbs/ft | 0.67 | 1.00 | 1.33 | 2.00 | 2.66 | 3.33 | 3.99 | 4.66 |
| | | kg/m | 0.99 | 1.48 | 1.98 | 2.97 | 3.96 | 4.95 | 5.94 | 6.93 |

When using steel tray that is hot dip galvanized after fabrication add 9.6% to weights.

Fiberglass

Fiberglass Side Rail Weights

| Tray Series | | 13 | 24 | 36 | 46 | H46 | 48 |
|-------------------------|--------|------|------|------|------|------|------|
| Weight for 2 Side Rails | lbs/ft | 1.40 | 1.78 | 2.82 | 3.72 | 3.72 | 4.66 |
| | kg/m | 2.08 | 2.65 | 4.20 | 5.54 | 5.54 | 6.93 |

Fiberglass Bottom Weights

| Tray Width (inches) | | | 6 | 9 | 12 | 18 | 24 | 30 | 36 |
|-----------------------|-----------------------------|--------|------|------|------|------|------|------|------|
| All Series Fiberglass | 6" Spacing Rung Weight | lbs/ft | 0.54 | 0.81 | 1.08 | 1.62 | 2.16 | 2.70 | 3.23 |
| | | kg/m | 0.80 | 1.20 | 1.60 | 2.41 | 3.21 | 4.01 | 4.81 |
| | 9" Spacing Rung Weight | lbs/ft | 0.35 | 0.53 | 0.70 | 1.05 | 1.40 | 1.75 | 2.10 |
| | | kg/m | 0.52 | 0.78 | 1.04 | 1.56 | 2.09 | 2.61 | 3.13 |
| | 12" Spacing Rung Weight | lbs/ft | 0.27 | 0.40 | 0.54 | 0.81 | 1.08 | 1.35 | 1.62 |
| | | kg/m | 0.40 | 0.60 | 0.80 | 1.20 | 1.60 | 2.01 | 2.41 |
| | 18" Spacing Rung Weight | lbs/ft | 0.19 | 0.28 | 0.38 | 0.57 | 0.75 | 0.94 | 1.13 |
| | | kg/m | 0.28 | 0.42 | 0.56 | 0.84 | 1.12 | 1.40 | 1.68 |
| | 6" Spacing Marine Rung Wt. | lbs/ft | 0.75 | 1.12 | 1.49 | 2.24 | 2.98 | 3.73 | 4.48 |
| | | kg/m | 1.11 | 1.67 | 2.22 | 3.33 | 4.44 | 5.55 | 6.66 |
| | 9" Spacing Marine Rung Wt. | lbs/ft | 0.48 | 0.73 | 0.97 | 1.45 | 1.94 | 2.42 | 2.91 |
| | | kg/m | 0.72 | 1.08 | 1.44 | 2.16 | 2.89 | 3.61 | 4.33 |
| | 12" Spacing Marine Rung Wt. | lbs/ft | 0.37 | 0.56 | 0.75 | 1.12 | 1.49 | 1.87 | 2.24 |
| | | kg/m | 0.56 | 0.83 | 1.11 | 1.67 | 2.22 | 2.78 | 3.33 |
| | 18" Spacing Marine Rung Wt. | lbs/ft | 0.26 | 0.39 | 0.52 | 0.78 | 1.04 | 1.31 | 1.57 |
| | | kg/m | 0.39 | 0.58 | 0.78 | 1.17 | 1.55 | 1.94 | 2.33 |

Metric Conversion Chart

| To Convert From | To | Multiply By |
|--|--------------------------------|--|
| Angle | | |
| degree | radian (rad) | 0.01745329 |
| radian (rad) | degree | 57.295780 |
| Area | | |
| foot ² | square meter (m ²) | 0.09290304 |
| inch ² | square meter (m ²) | 0.0064516 x 10 ⁻² |
| circular mil | square meter (m ²) | 0.00005067075 x 10 ⁻⁵ |
| sq. centimeter (cm ²) | square inch (in ²) | 0.15500030 |
| square meter (m ²) | foot ² | 10.763910 |
| square meter (m ²) | inch ² | 1550.0030 |
| square meter (m ²) | circular mil | 1973523000.0 |
| Temperature | | |
| degree Fahrenheit | degree Celsius | $t^{\circ}\text{C} = (t^{\circ}\text{F} - 32) / 1.8$ |
| degree Celsius | degree Fahrenheit | $t^{\circ}\text{F} = 1.8t^{\circ}\text{C} + 32$ |
| Force | | |
| pounds - force (lbf) | newtons (N) | 4.4482220 |
| Length | | |
| foot (ft) | meter (m) | 0.30480 |
| inch (in) | meter (m) | 0.02540 |
| mil | meter (m) | 0.002540 x 10 ⁻³ |
| inch | micrometer (μm) | 25400.0 |
| millimeters | inch (in) | 0.039370 |
| meter (m) | foot (ft) | 3.280840 |
| meter (m) | inch (in) | 39.370080 |
| meter (m) | mil | 39370.0080 |
| micrometer (μm) | inch (in) | 0.039370080 x 10 ⁻³ |
| Volume | | |
| foot ³ | cubic meter (m ³) | 0.028316850 |
| inch ³ | cubic meter (m ³) | 0.016387060 x 10 ⁻³ |
| cubic centimeter (cm ³) | cubic inch (in ³) | 0.061023740 |
| cubic meter (m ³) | foot ³ | 35.314660 |
| cubic meter (m ³) | inch ³ | 61023.760 |
| gallon (U.S. liquid) | cubic meter (m ³) | 0.0037854120 |
| Section Properties | | |
| section modulus S (in ³) | S (m ³) | 0.016387060 x 10 ⁻³ |
| moment of inertia I (in ⁴) | I (m ⁴) | 0.00041623140 x 10 ⁻³ |
| modulus of elasticity E (psi) | E (Pa) | 6894.7570 |
| section modulus S (m ³) | S (in ³) | 61023.740 |
| moment of inertia I (m ⁴) | I (in ⁴) | 2402510.0 |
| modulus of elasticity E (Pa) | E (psi) | 0.014503770 x 10 ⁻² |

Metric Conversion Chart (Cont.)

| To Convert From | To | Multiply By |
|---|--|---------------------------------|
| Bending Moment or Torque | | |
| lbf • ft | newton meter (N•m) | 1.3558180 |
| lbf • in | newton meter (N•m) | 0.11298480 |
| N•m | lbf • ft | 0.73756210 |
| N•m | lbf • in | 8.8507480 |
| Mass | | |
| ounce (avoirdupois) | kilogram (kg) | 0.028349520 |
| pound (avoirdupois) | kilogram (kg) | 0.45359240 |
| ton (short, 2000 lb) | kilogram (kg) | 907.18470 |
| ton (long, 2240 lb) | kilogram (kg) | 1016.0470 |
| kilogram (kg) | ounce (avoirdupois) | 35.273960 |
| kilogram (kg) | pound (avoirdupois) | 2.2046220 |
| kilogram (kg) | ton (short, 2000 lb) | 0.0011023110 |
| kilogram (kg) | ton (long, 2240 lb) | 0.98420640 x 10 ⁻³ |
| Mass Per Unit Length | | |
| lb/ft | kilogram per meter (kg/m) | 1.4881640 |
| lb/in | kilogram per meter (kg/m) | 17.857970 |
| kilogram per meter (kg/m) | lb/ft | 0.67196890 |
| kilogram per meter (kg/m) | lb/in | 0.55997410 |
| Mass Per Unit Volume | | |
| lb/ft ³ | kilogram per cubic meter (kg/m ³) | 16.018460 |
| lb/in ³ | kilogram per cubic meter (kg/m ³) | 27679.90 |
| kilogram per cubic meter (kg/m ³) | lb/ft ³ | 0.062427970 |
| kilogram per cubic meter (kg/m ³) | lb/in ³ | 0.03612730 x 10 ⁻³ |
| lb/ft ³ | lb/in ³ | 1728.0 |
| Mass Per Unit Area | | |
| lb/ft ² | kilogram per square meter (kg/m ²) | 4.8824280 |
| kg/m ² | pound per square foot (lb/ft ²) | 0.20481610 |
| Pressure or Stress | | |
| lbf/in ² (psi) | pascal (Pa) | 6894.7570 |
| kip/in ² (ksi) | pascal (Pa) | 6894757.0 |
| lbf/in ² (psi) | megapascals (MPa) | 0.0068947570 |
| pascal (Pa) | pound-force per square inch (psi) | 0.0014503770 x 10 ⁻¹ |
| pascal (Pa) | kip per square inch (ksi) | 0.0014503770 x 10 ⁻⁴ |
| megapascals (MPa) | lbf/in ² (psi) | 145.03770 |
| Metric Symbols | | |
| m = meter | N = newton | |
| cm = centimeter | kN = kilonewton | |
| mm = millimeter | Pa = pascal | |
| µm = micrometer | MPa = megapascal | |
| kg = kilogram | | |

SECTION 16114 CABLE TRAYS

PART I - GENERAL

1.01 SECTION INCLUDES

- A. The work covered under this section consists of the furnishing of all necessary labor, supervision, materials, equipment, tests and services to install complete cable tray systems as shown on the drawings.
- B. Cable tray systems are defined to include, but are not limited to straight sections of [ladder type] [trough type] [solid bottom type] [channel type] cable trays, bends, tees, elbows, drop-outs, supports and accessories.

1.02 REFERENCES

- A. ANSI/NFPA 70 - National Electrical Code.
- B. ASTM A123 - Specification for Zinc (Hot Galvanized) Coatings on Products Fabricated from Rolled, Pressed, and Forged Steel Shapes, Plates, Bars, and Strip.
- C. ASTM A653 - Specification for Steel Sheet, Zinc-Coated (Galvanized) by the Hot Dip Process, Structural (Physical) Quality.
- D. ASTM A1011 - Specification for Steel, Sheet and Strip, Hot-Rolled, Carbon, Structural, High-Strength Low-Alloy and High Strength Low Alloy with Improved Formability.
- E. ASTM A1008 - Specification for Steel, Sheet, Cold-Rolled, Carbon, Structural, High-Strength Low-Alloy and High-Strength Low-Alloy with Improved Formability.
- F. ASTM B633 - Specification for Electrodeposited Coatings of Zinc on Iron and Steel.
- G. NEMA VE 1 - Metallic Cable Tray Systems.
- H. NEMA VE 2 - Cable Tray Installation Guidelines.

1.03 DRAWINGS

- A. The drawings which constitute a part of these specifications indicate the general route of the cable tray systems. Data presented on these drawings is as accurate as preliminary surveys and planning can determine until final equipment selection is made. Accuracy is not guaranteed and field verification of all dimensions, routing, etc., is required.
- B. Specifications and drawings are for assistance and guidance, but exact routing, locations, distances and levels will be governed by actual field conditions. Contractor is directed to make field surveys as part of his work prior to submitting system layout drawings.

1.04 SUBMITTALS

- A. Submittal Drawings: Submit drawings of cable tray and accessories including clamps, brackets, hanger rods, splice plate connectors, expansion joint assemblies, and fittings, showing accurately scaled components.
- B. Product Data: Submit manufacturer's data on cable tray including, but not limited to, types, materials, finishes, rung spacings, inside depths and fitting radii. For side rails and rungs, submit cross sectional properties including Section Modulus (Sx) and Moment of Inertia (Ix).

1.05 QUALITY ASSURANCE

- A. Manufacturers: Firms regularly engaged in manufacture of cable trays and fittings of types and capacities required, whose products have been in satisfactory use in similar service for not less than 5 years.
- B. NEMA Compliance: Comply with NEMA Standards Publication Number VE 1, "Cable Tray Systems".
- C. NEC Compliance: Comply with NEC, as applicable to construction and installation of cable tray and cable channel systems (Article 392, NEC).
- D. UL Compliance: Provide products which are UL classified and labeled.
- E. NFPA Compliance: Comply with NFPA 70B, "Recommended Practice for Electrical Equipment Maintenance" pertaining to installation of cable tray systems.

1.06 DELIVERY, STORAGE AND HANDLING

- A. Deliver cable tray systems and components carefully to avoid breakage, denting and scoring finishes. Do not install damaged equipment.
- B. Store cable trays and accessories in original cartons and in clean dry space; protect from weather and construction traffic.

PART 2 - PRODUCTS

2.01 ACCEPTABLE MANUFACTURERS

- A. Manufacturer: Subject to compliance with these specifications, cable tray and cable channel, systems to be installed shall be as manufactured by Cooper B-Line, Inc. [or engineer approved equal.]

2.02 CABLE TRAY SECTIONS AND COMPONENTS

- A. General: Except as otherwise indicated, provide metal cable trays, of types, classes and sizes indicated; with splice plates, bolts, nuts and washers for connecting units. Construct units with rounded edges and smooth surfaces; in compliance with applicable standards; and with the following additional construction features.
- B. Materials and Finish: Material and finish specifications for each tray type are as follows:
 - 1. Aluminum: Straight section and fitting side rails and rungs shall be extruded from Aluminum Association Alloy 6063. All fabricated parts shall be made from Aluminum Association Alloy 5052.
 - 2. Pre-Galvanized Steel: Straight sections, fitting side rails, rungs, and covers shall be made from structural quality steel meeting the minimum mechanical properties and mill galvanized in accordance with ASTM A653 SS, Grade 33, coating designation G90. Covers for all steel trays will also be furnished from mill galvanized steel in accordance with ASTM A653 G90.
 - 3. Hot Dip Galvanized Steel: Straight section and fitting side rails and rungs shall be made from structural quality steel meeting the minimum mechanical properties of ASTM A1011 SS, Grade 33 for 14 gauge and heavier, ASTM A1008, Grade 33, Type 2 for 16 gauge and lighter, and shall be hot dip galvanized after fabrication in accordance with ASTM A123. All covers and splice plates must also be hot dip galvanized after fabrication; mill galvanized covers are not acceptable for hot dipped galvanized cable tray. All hot dip galvanized after fabrication steel cable trays must be returned to point of manufacture after coating for inspection and removal of all icicles and excess zinc. Failure to do so can cause damage to cables and/or injury to installers.
 - 4. Stainless Steel: Straight section and fitting side rails and rungs shall be made of AISI Type 304 or Type 316 stainless steel. Transverse members (rungs) shall be welded to the side rails with Type 316 stainless steel welding wire.

2.03 TYPE OF TRAY SYSTEM

- A. Ladder type trays shall consist of two longitudinal members (side rails) with transverse members (rungs) welded to the side rails. Rungs shall be spaced [6] [9] [12] inches on center. Spacing in radiused fittings shall be 9 inches and measured at the center of the tray's width. Rungs shall have a minimum cable bearing surface of $\frac{7}{8}$ " with radiused edges. No portion of the rungs shall protrude below the bottom plane of the side rails.** Each rung must be capable of supporting the cable load, with a safety factor of 1.5, and a 200 lb. concentrated load when tested in accordance with NEMA VE 1, section 5.4.

***Omit text for Series 1 cable tray systems.*

- B. Ventilated trough type trays shall consist of two longitudinal members (side rails) with a corrugated bottom welded to the side rails. The peaks of the corrugated bottom shall have a minimum flat cable bearing surface of $2\frac{3}{4}$ " and shall be spaced on 6" centers. To provide ventilation in the tray, the valleys of the corrugated bottom shall have $2\frac{1}{4}$ " x 4" rectangular holes punched along the width of the bottom.

Full Cable Tray Systems Specification

- C. Non-Ventilated bottom trough type trays shall consist of two longitudinal members (side rails) with a corrugated bottom welded to the side rails. The peaks of the corrugated bottom shall have a minimum flat cable bearing surface of 2³/₄" and shall be spaced on 6" centers.
- D. Tray Sizes shall have [3] [4] [5] [6] inch minimum usable load depth, or as noted on the drawing.
- E. Straight tray sections shall have side rails fabricated as I-Beams. All straight sections shall be supplied in standard [10] [12] [20] [24] foot lengths, except where shorter lengths are permitted to facilitate tray assembly lengths as shown on drawings.
- F. Tray widths shall be [6] [9] [12] [18] [24] [30] [36] inches or as shown on drawings.
- G. All fittings must have a three inch tangent and a minimum radius of [12] [24] [36] [48] inches.
- H. Splice plates shall be the bolted type made as indicated below for each tray type. The resistance of fixed splice connections between an adjacent section of tray shall not exceed .00033 ohm. Splice plate construction shall be such that a splice may be located anywhere within a continuously supported span without diminishing rated loading capacity of the cable tray.
 - 1. Aluminum Tray - Splice plates shall be made of 6063-T6 aluminum, using four square neck carriage bolts and serrated flange locknuts. Hardware shall be zinc plated in accordance with ASTM B633, SC1. If aluminum cable tray is to be used outdoors, then hardware shall be Type 316 stainless steel.
 - 2. Steel (including Pre-Galvanized and Hot Dip Galvanized) - Splice plates shall be manufactured of high strength steel, meeting the minimum mechanical properties of ASTM A1011 HSLAS, Grade 50, Class 1. Each splice plate shall be attached with ribbed neck carriage bolts and serrated flange locknuts. Hardware shall be zinc plated in accordance with ASTM B633 SC1 for pre-galvanized cable trays, or Chromium Zinc in accordance with ASTM F-1136-88 for hot dip galvanized cable trays.

Splice plates shall be furnished with straight sections and fittings.

- I. Cable Tray Supports: Shall be placed so that the support spans do not exceed the maximum span indicated on drawings. Supports shall be constructed from 12 gauge steel formed shape channel members 1⁵/₈" x 1⁵/₈" with necessary hardware such as Trapeze Support Kits (9G-55XX-22SH) as manufactured by Cooper B-Line, Inc. [or engineer approved equal]. Cable trays installed adjacent to walls shall be supported on wall mounted brackets such as B409 as manufactured by Cooper B-Line, Inc. [or engineer-approved equal].
- J. Trapeze hangers and center hung supports shall be supported by 1/2" (minimum) diameter rods.
- K. Barrier Strips: Shall be placed as specified on drawings and be fastened into the tray with self drilling screws.
- L. Accessories: Special accessories shall be furnished as required to protect, support, and install a cable tray system. Accessories shall consist of, but are not limited to; section splice plates, expansion plates, blind-end plates, specially-designed ladder drop-outs, barriers, etc.

2.04 LOADING CAPACITIES

- A. Cable tray shall be capable of carrying a uniformly distributed load of _____ lbs./ft. on a _____ ft. support span with a safety factor of 1.5 when supported as a simple span and tested per NEMA VE 1, section 5.2. ****In addition to the uniformly distributed load the cable tray shall support 200 lbs. concentrated load at mid-point of span.**** Load and safety factors specified are applicable to both the side rails and rung capacities. Cable tray shall be made to manufacturing tolerances as specified by NEMA.

***Omit text for Series 1 cable tray systems.*

PART 3 - EXECUTION

3.01 INSTALLATION

- A. Install cable trays as indicated; in accordance with equipment manufacturer's instructions, and with recognized industry practices (NEMA VE 2), to ensure that the cable tray equipment complies with requirements of NEC, and applicable portions of NFPA 70B and NECA's "Standards of Installation" pertaining to general electrical installation practices.
- B. Coordinate cable tray with other electrical work as necessary to properly interface installation of cable tray work with other work.
- C. Provide sufficient space encompassing cable trays to permit access for installing and maintaining cables.

3.02 TESTING

- A. Test cable trays to ensure electrical continuity of bonding and grounding connections, and to demonstrate compliance with specified maximum grounding resistance. See NFPA 70B, Chapter 18, for testing and test methods.
- B. Manufacturer shall provide test reports witnessed by an independent testing laboratory of the "worst case" loading conditions outlined in this specification and performed in accordance with the latest revision of NEMA VE 1.

END OF SECTION

Additional Cable Tray Sizing Requirements

AMPACITY:

Multiconductor Cables (2000V or Less)

Cable ampacities shall comply with Tables 310.16 and 310.18 of the NEC® subject to the provisions below:

1. If there are more than 3 current carrying conductors in a cable, derate cable ampacity per section 310.15(B)(2)(A).
2. If tray has solid covers, use 95% of the ampacity values shown in Tables 310.16 and 310.18.
3. If cables are placed in a single layer, with a maintained spacing of not less than 1 cable diameter between cables, the ampacity of the cables shall not exceed the allowable ambient temperature-corrected ampacities of multiconductor cables with not more than 3 insulated conductors in free air in accordance with Section 310.15(C) and Table B.310.3. You must use the ambient ampacity correction factors, found below Table B.310.3, for ambient temperatures other than 40°C (104°F).

Multiconductor Cables (2001 Volts and over) Type MV and Type MC Cables

1. Where cable trays are covered for more than 6 ft. with solid, unventilated covers, use not more than 95% of the ampacity values of Tables 310.75 and 310.76.
2. Where cables are installed in a single layer in uncovered trays with a maintained spacing of not less than one cable diameter between cables, you can use the ampacity values listed in Tables 310.71 and 310.72.

Single Conductor Cables

Ampacity of Cables Rated 2000 Volts or Less in Cable Tray (single conductor cables)

| Cable Sizes | Solid Unventilated Cable Tray Cover ? | Applicable Ampacity Tables (*) | Mult. Amp. Table Values By | Special Conditions |
|--|---------------------------------------|------------------------------------|----------------------------|---|
| 600 kcmil and Larger | No (**) | 310.17 and 310.19 | 0.75 | |
| 600 kcmil and Larger | Yes | 310.17 and 310.19 | 0.70 | |
| 1/0 AWG through 500 kcmil | No (**) | 310.17 and 310.19 | 0.65 | |
| 1/0 AWG through 500 kcmil | Yes | 310.17 and 310.19 | 0.60 | |
| 1/0 AWG & Larger In Single Layer | No (**) | 310.17 and 310.19 | 1.00 | Maintained Spacing Of One Cable Diameter |
| Single Conductors In Triangle Config. 1/0 AWG and Larger | No (**) | 310.20 [See NEC Section 310.15(B)] | 1.00 | Spacing Of 2.15 x One Conductor O.D. Between Cables |

Ampacity of Type MV and Type MC Cables (2001 volts or over) in Cable Trays (single conductor cables)

| Cable Sizes | Solid Unventilated Cable Tray Cover ? | Applicable Ampacity Tables (*) | Mult. Amp. Table Values By | Special Conditions |
|--|---------------------------------------|--------------------------------|----------------------------|---|
| 1/0 AWG and Larger | No (**) | 310.69 and 310.70 | 0.75 | |
| 1/0 AWG and Larger | Yes | 310.69 and 310.70 | 0.70 | |
| 1/0 AWG & Larger In Single Layer | No (**) | 310.69 and 310.70 | 1.00 | Maintained Spacing Of One Cable Diameter |
| Single Conductors In Triangle Config. 1/0 AWG and Larger | No (**) | 310.67 and 310.68 | 1.05 | Spacing Of 2.15 x One Conductor O.D. Between Cables |

(*) The ambient ampacity correction factors must be used.

(**) At a specific position, where it is determined that the tray cables require mechanical protection, a single cable tray cover of six feet or less in length can be installed.

Cable Fill in Hazardous (Classified) Locations:

Section 392.3 of the NEC regulates the use of cable tray wiring systems in hazardous (classified) locations. This section states that if cable tray wiring systems are installed in hazardous (classified) locations, the cables that they support must be suitable for installation in those hazardous (classified) locations. The cable carries the installation restriction, not the cable tray except that the cable tray installation must comply with Section 392.4.

Some hazardous (classified) locations require special spacing of the cables. When installing Type MC, MI & TC cables in cable tray in Class II, Division 2 Hazardous (classified) areas, (combustible dusts), the cables are limited to a single layer with spacing between cables equal to the diameter of the largest adjacent cable. This is the only hazardous (classified) location where the spacing of the cables is required although it is recommended that this wiring method also be employed in Class III, Division I, and Class III, Division 2 (Ignitable Fibers & Flyings). Please note that this will alter the cable tray sizing information obtained from the sizing flow chart on page 36 & 37 of this catalog.

Please reference **NEMA VE 2**, metal cable tray installation guideline, for more complete information.
www.cabletrays.com/technica.htm

Supports - Cooper B-Line Cable Tray shall be sized and installed as a complete cable support system appropriate for the cable types installed. Recommended cable tray support locations are as shown below. Do not exceed the maximum support spacing and design load as printed on the side rail label. Refer to Canadian Electrical Code (CEC) section 12-2202 for minimum cable tray clearances.

Splice Plates - Use factory supplied splice plates only. Splice plates located at the quarter span between supports are preferred. Avoid placing splices at midspan and directly above supports. Torque all splice plate fasteners to 19 ft. - lbs. for $\frac{3}{8}$ " and 50 ft. - lbs. for $\frac{1}{2}$ ". Expansion splice plate fasteners should be loosened $\frac{1}{2}$ turn after reaching full torque to allow for travel. Set the side rail gap for expansion plates according to the chart on page 24 and ensure that a support is located within 2 feet on each side of the expansion splice.

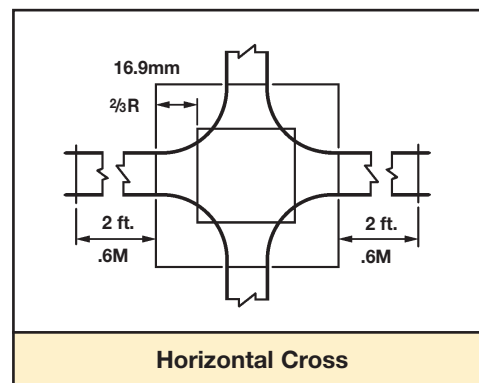
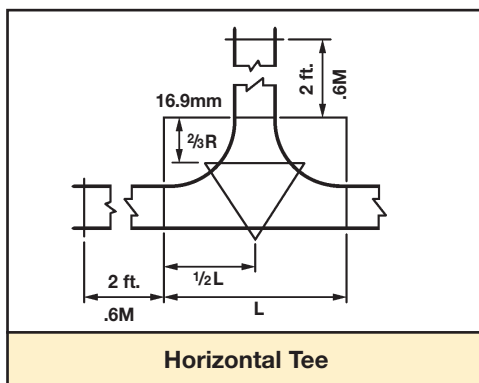
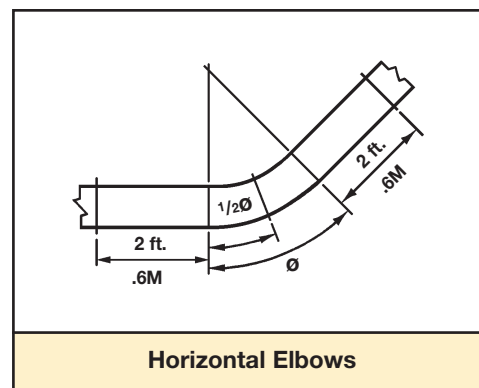
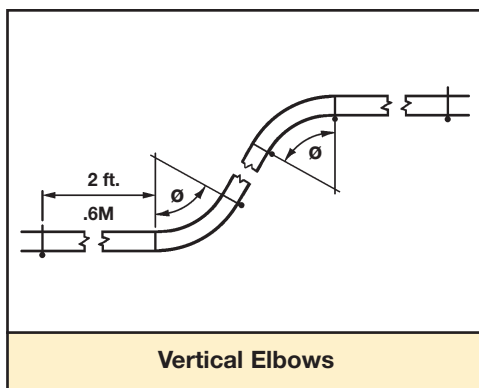
Conductors - The Cable Tray system installation shall be completed prior to pulling conductors. Cable support distances for conductor size should be referenced in CEC Part 1, Table 21. Single conductor cables placed one diameter or more apart in ventilated or ladder type tray are allowed to use the free air rating per the CEC. Any conductor in vertical runs of cable tray and all single conductor cables must be fastened to the rungs with nylon cable ties or stainless steel clamps. Carbon steel cable clamps should not be used due to induction heating, per CEC section 12-2204 (5).

Covers - Vertical cable trays which penetrate dry floors must be covered for 2m (two meter) above the floor level. All cable tray dead ends must be closed with blind ends per CEC sec 12-2202(6).

Handling - Cable tray is shipped without exterior crating, therefore careful material handling practices should be used. Cable tray straight sections should be lifted with wide slings and an overhead crane. If a crane is not available and a fork lift is to be used, only single bundles should be lifted. Ensure that each bundle is properly centered. Cable tray fittings that are not crated should be unbanded and off-loaded by hand.

Storage - All cable tray materials are subject to storage stain (white rust) if improperly stored. If cable tray is stored as shipped, it must be stored indoors. If the cable tray material must be stored outside, it must be unbanded and loosely stacked on an angle to minimize the components' contact area as well as provide for adequate drainage.

NEMA RECOMMENDED SUPPORT LOCATIONS FOR FITTINGS



Support Channels & Channel Nuts

Channel Sizes & Hole Patterns Selection Chart

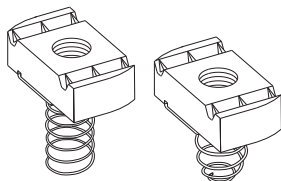
| Channel Type | Channel Dimensions | | Material & Thickness | | | | Channel Hole Patterns ** | | | |
|--------------|--------------------|----------|----------------------|------|--------|--------|--------------------------|---|---------|----|
| | Height | Width | Stainless Steel | | | | SH | S | H17/8 | TH |
| | | | 1 | 2 | 3 | 4 | | | | |
| Steel | Aluminum | Type 304 | Type 316 | | | | | | | |
| B11 | 3 1/4" | 1 5/8" | 12 Ga. | -- | -- | -- | 1 | 1 | 1 | -- |
| B12 | 2 7/16" | 1 5/8" | 12 Ga. | .105 | -- | -- | 1,2 | 1 | 1,2 | -- |
| B22 | 1 5/8" | 1 5/8" | 12 Ga. | .105 | 12 Ga. | 12 Ga. | 1,2,3,4 | 1 | 1,2,3,4 | 1 |
| B24 | 1 5/8" | 1 5/8" | 14 Ga. | .080 | 14 Ga. | 14 Ga. | 1,2,3,4 | 1 | 1,2,3,4 | -- |
| B32 | 1 3/8" | 1 5/8" | 12 Ga. | -- | 12 Ga. | -- | 1,3 | 1 | 1,3 | -- |
| B42 | 1 " | 1 5/8" | 12 Ga. | -- | 12 Ga. | -- | 1,3 | 1 | 1,3 | -- |
| B52 | 1 3/16" | 1 5/8" | 12 Ga. | -- | 12 Ga. | -- | 1,3 | 1 | 1,3 | -- |
| B54 | 1 3/16" | 1 5/8" | 14 Ga. | .080 | 14 Ga. | 14 Ga. | 1,2,3,4 | 1 | 1,2,3,4 | -- |

Available Finishes on Steel: Plain (Oil Coated), Dura-Green Epoxy, Pre-Galvanized, and Hot Dip Galvanized are standard.

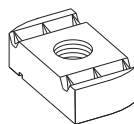
** 1 - Steel
 2 - Aluminum
 3 - Type 304 Stainless Steel
 4 - Type 316 Stainless Steel

Channel Nuts

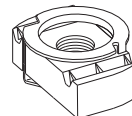
| With Spring | | | Without Spring | | | Twirl Nut | | FN228 | Thread Size | Thickness |
|-------------|-------------------|-------------------|----------------|-------------------|-------------------|------------|-------------------|--------------------|-------------|---|
| B11 B12 | B22 B24 B32 | B42 B52 B54 | B11 B12 | B22 B24 B32 | B42 B52 B54 | B11 B12 | B22 B24 B32 | E-Z Twirl FN228 | | |
| N728 | N228 | N528 | N228WO | N228WO | N228WO | TN228 | TN228 | 3/8" | 3/8"-16 | 3/8" for all nuts |
| N725 | N225 | N525 | N225WO | N225WO | N225WO | TN225 | TN525 | | 1/2"-13 | 1/2" for N725,N225,N225WO,TN225 3/8" for N525,N525WO,TN525 |
| N755 | N255 | N555 | N255WO | N255WO | N255WO | -- | -- | | 5/8"-11 | 1/2" for N755,N255,N255WO 3/8" for N555,N555WO |



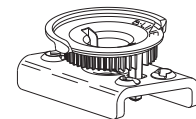
Channel Nut With Spring



Channel Nut Without Spring



Twirl Nut



FN228

For other channels, channel nuts, and fittings see B-Line Strut Systems Catalog.

Concrete Inserts & Threaded Rod

Continuous Concrete Insert

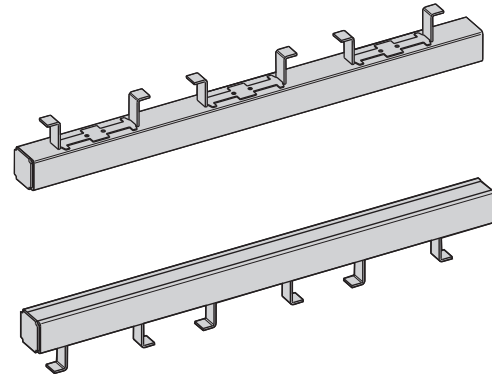
| Catalog Number for | | Channel Size | Maximum Depth | Load |
|--------------------|---------------|--------------|---------------|---------------|
| 120" (10 ft.) | 240" (20 ft.) | | | |
| B22I-120 | B22I-240 | B22 | 1 5/8" | 2000 lbs./ft. |
| B32I-120 | B32I-240 | B32 | 1 3/8" | 2000 lbs./ft. |
| B52I-120 | B52I-240 | B52 | 1 3/16" | 1500 lbs./ft. |

Safety factor of 3 on loading.

Other lengths available upon request.

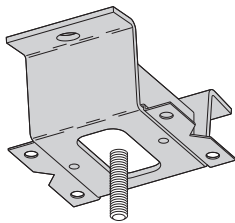
Furnished with end caps and styrofoam filler installed.

Standard finishes:
 Plain (Oil Coated)
 Dura Green Epoxy
 Pre-Galvanized
 Hot Dip Galvanized

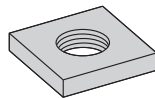


B2500 Spot Insert & N2500 Insert Nut

Standard Finish: Zinc Plated



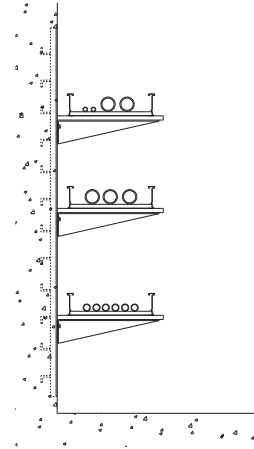
B2500 Insert



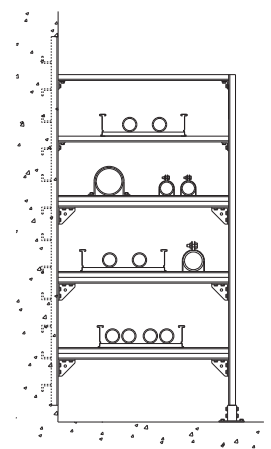
N2500 Insert Nut
 Insert rod size behind part number.

Square Nuts for Spot Inserts

Concrete Insert Applications

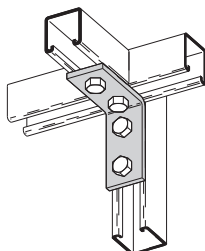


Continuous inserts used vertically are ideal mounting bases for cable tray brackets.

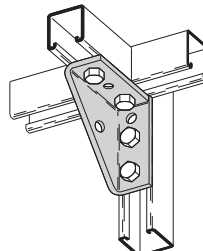


For multi-tiered tray assemblies, inserts function as the anchors for each stanchion.

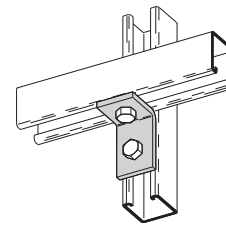
Angle Fittings



B104



B844



B101

2005

CABLE TRAY MANUAL

Based on the
2005 National Electrical Code®



COOPER B-Line

Table of Contents

| | Page No. |
|--|------------------|
| Introduction | 383 |
| Why Cable Tray? | |
| Safety | 384 |
| Dependability | 384 - 385 |
| Space Savings | 385 |
| Cost Savings | 385 - 388 |
| An In-depth Look at the 2005 NEC®, Section 392 | |
| Types of Cable Trays (NEC® 392.1 Scope) | 389 - 390 |
| EMI/RFI Cable Tray | 390 - 391 |
| Cable Tray Materials | 391 |
| Types of Cables Allowed in Cable Tray [392.3 (A)] | 391 - 392 |
| MI - Mineral Insulated Metal Sheathed Cable [Article 332] | 392 |
| MC - Metal Clad Cable [Article 330] | 392 |
| TC - Power and Control Tray Cable [Article 336] | 392 |
| ITC - Instrumentation Tray Cable [Article 727] | 393 |
| PLTC - Power Limited Tray Cable [Sections 725.61 (C) and 725.71 (E)] | 393 |
| Other Types - Fire Alarm [Article 760], Multipurpose and Communications Cable [Article 800] | 393 |
| Single Conductor & Type MV Cables [392.3 (B)] | 393 - 394 |
| Cable Tray Use in Hazardous Locations [392.3 (D)] | 394 - 396 |
| Limitations on Cable Tray Use [392.4] | 396 |
| Cable Tray Loading [392.5 (A)] | 396 - 398 |
| Fiberglass Cable Tray [392.3 (E) & 392.5 (F)] | 398 - 399 |
| Discontinuous Cable Tray and Fittings [392.6 (A)] | 399 - 400 |
| Covers [392.6 (D)] | 401 |
| Barriers [392.6 (E) & (F)] | 401 - 402 |
| Spacing of Multiple Cable Trays [392.6 (I)] | 402 |
| Supporting Conduit from Cable Tray [392.6 (J)] | 402 - 403 |
| Use of Cable Tray as an Equipment Grounding Conductor [392.7 Grounding] | 404 - 406 |
| Fastening Cables [392.8 (B)] | 407 |
| Cable Installation [392.8] | 407 - 409 |
| Sizing Cable Tray | |
| Multiconductor - 2000 volts or less [392.9] | 409 - 411 |
| Single conductor - 2000 volts or less [392.10] | 411 - 412 |
| Type MC or MV - 2001 volts or greater [392.12] | 413 |
| Ampacities of Cables in Cable Tray | 412 - 414 |
| Cable Tray Wiring System Design and Installation Hints | 414 - 415 |
| Fireproofing Tray | 415 - 416 |
| Expansion and Contraction | 416 - 417 |
| Appendix Index & Appendix Sheets | 418 - 425 |
| Cable Tray Installation & Specification Checklists | 426 - 429 |
| Footnotes | 430 |

INTRODUCTION

The Cooper B-Line Cable Tray Manual was produced by Cooper B-Line's technical staff. Cooper B-Line has recognized the need for a complete cable tray reference source for electrical engineers and designers. The following pages address the 2005 **National Electric Code®** requirements for cable tray systems as well as design solutions from practical experience. The information has been organized for use as a reference guide for both those unfamiliar and those experienced with cable tray.

Nearly every aspect of cable tray design and installation has been explored for the use of the reader. If a topic has not been covered sufficiently to answer a specific question or if additional information is desired, contact the engineering department at Cooper B-Line. We sincerely hope you will find the Cooper B-Line Cable Tray Manual a helpful and informative addition to your technical library.

The information contained herein has been carefully checked for accuracy and is believed to be correct and current. No warranty, either expressed or implied, is made as to either its applicability to, or its compatibility with, specific requirements, of this information, nor for damages consequent to its use. All design characteristics, specifications, tolerances and similar information are subject to change without notice.

Cooper B-Line, Inc.
509 West Monroe Street
Highland, IL 62249-0326
Tel: (800) 851-7415
Fax: (618) 654-5499

National Electrical Code® and **NEC®** are registered trademarks of the
National Fire Protection Association, Inc. Quincy, MA 02269.

Reprinted with permission from NFPA 70-1999, the National Electrical Code®, Copyright© 1998, National Fire Protection Association, Quincy, MA 02269. This reprinted material is not the complete and official position of the National Fire Protection Association, on the referenced subject which is represented only by the standard in its entirety.

WHY CABLE TRAY?

BECAUSE A CABLE TRAY WIRING SYSTEM PROVIDES SAFE AND DEPENDABLE WAYS TO SAVE NOW AND LATER

Large numbers of electrical engineers have limited detail knowledge concerning wiring systems. There is the tendency by engineers to avoid becoming involved in the details of wiring systems, leaving the wiring system selection and design to designers or contractors. Certain decisions must be made for any wiring system installation, and these decisions should be made in the design and construction activities' chain where maximum impact is achieved at the lowest possible cost. Deferring design decisions to construction can result in increased costs and wiring systems incompatible with the owner's future requirements. Early in the project's design life, the costs and features of various applicable wiring systems should be objectively evaluated in detail. Unfortunately, such evaluations are often not made because of the time and money involved. It is important to realize that these initial evaluations are important and will save time and money in the long run. The evaluation should include the safety, dependability, space and cost requirements of the project. Many industrial and commercial electrical wiring systems have excessive initial capital costs, unnecessary power outages and require excessive maintenance. Moreover, the wiring system may not have the features to easily accommodate system changes and expansions, or provide the maximum degree of safety for the personnel and the facilities.

Cable tray wiring systems are the preferred wiring system when they are evaluated against equivalent conduit wiring systems in terms of safety, dependability, space and cost. To properly evaluate a cable tray wiring system vs. a conduit wiring system, an engineer must be knowledgeable of both their installation and the system features. The advantages of cable tray installations are listed below and explained in the following paragraphs.

- Safety Features
- Dependability
- Space Savings
- Cost Savings
- Design Cost Savings
- Material Cost Savings
- Installation Cost & Time Savings
- Maintenance Savings

CABLE TRAY SAFETY FEATURES

A properly engineered and installed cable tray wiring system provides some highly desirable safety features that are not obtainable with a conduit wiring system.

- Tray cables do not provide a significant path for the transmission of corrosive, explosive, or toxic gases while conduits do. There have been explosions in

industrial facilities in which the conduit systems were a link in the chain of events that set up the conditions for the explosions. These explosions would not have occurred with a cable tray wiring system since the explosive gas would not have been piped into a critical area. This can occur even though there are seals in the conduits. There does have to be some type of an equipment failure or abnormal condition for the gas to get into the conduit, however this does occur. Conduit seals prevent explosions from traveling down the conduit (pressure piling) but they do not seat tight enough to prevent moisture or gas migration until an explosion or a sudden pressure increase seats them. The October 6, 1979 Electrical Substation Explosion at the Cove Point, Maryland Columbia Liquefied Natural Gas Facility is a very good example of where explosive gas traveled though a two hundred foot long conduit with a seal in it. The substation was demolished, the foreman was killed and an operator was badly burned. This explosion wouldn't have occurred if a cable tray wiring system had been installed instead of a conduit wiring system. A New Jersey chemical plant had the instrumentation and electrical equipment in one of its control rooms destroyed in a similar type incident.

- In addition to explosive gases, corrosive gases and toxic gases from chemical plant equipment failures can travel through the conduits to equipment or control rooms where the plant personnel and the sensitive equipment will be exposed to the gases.
- In facilities where cable tray may be used as the equipment grounding conductor in accordance with **NEC**[®] Sections 392.3(C) & 392.7, the grounding equipment system components lend themselves to visual inspection as well as electrical continuity checks.

CABLE TRAY DEPENDABILITY

A properly designed and installed cable tray system with the appropriate cable types will provide a wiring system of outstanding dependability for the control, communication, data handling, instrumentation, and power systems. The dependability of cable tray wiring systems has been proven by a 40 year track record of excellent performance.

- Cable tray wiring systems have an outstanding record for dependable service in industry. It is the most common industrial wiring system in Europe. In continuous process systems, an electrical system failure can cost millions of dollars and present serious process safety problems for the facility, its personnel and the people in the surrounding communities. A properly designed and installed cable tray system with the appropriate cable types will provide a wiring system of outstanding dependability for process plants.

- Television broadcast origination facilities and studios make use of cable tray to support and route the large volumes of cable needed for their operations with a high degree of dependability. It would be impossible to have the wiring system flexibility they need with a conduit wiring system.

- Large retail and warehouse installations use cable tray to support their data communication cable systems. Such systems must be dependable so that there are no outages of their continuous inventory control systems.

- Cable tray wiring systems have been widely used to support cabling in both commercial and industrial computer rooms overhead and beneath the floor to provide orderly paths to house and support the cabling. These types of installations need a high degree of dependability which can be obtained using cable tray wiring systems.

CABLE TRAY SPACE SAVINGS

When compared to a conduit wiring system, an equivalent cable tray wiring system installation requires substantially less space.

Increasing the size of a structure or a support system to handle a high space volume conduit wiring system is unnecessary when this problem can be avoided by the selection of a cable tray wiring system.

- Facilities with high density wiring systems devoted to control, instrumentation, data handling and branch circuit wiring have the choice of selecting cable tray or conduit wiring systems. A conduit wiring system is often a poor choice because large conduit banks require significant space, competing with other systems and equipment. Choosing a cable tray wiring system greatly reduces this problem.

- Financial institutions with large computer installations have high density wiring systems under floors or in overhead plenum areas that are best handled by cable tray wiring systems.

- Airport facilities have extensive cable tray wiring systems to handle the ever expanding needs of the airline industry.

- Cable tray is used in many facilities because of the ever present need of routing more and more cables in less space at lower costs.

- Large health care facilities have high density wiring systems that are ideal candidates for cable tray.

CABLE TRAY WIRING SYSTEM COST SAVINGS

Usually, the initial capital cost is the major factor in selecting a project's wiring system when an evaluation is made comparing cable tray wiring systems and conduit wiring systems. Such an evaluation often

covers just the conductors, material, and installation labor costs. The results of these initial cost evaluations usually show that the installed cable tray wiring system will cost 10 to 60 percent less than an equivalent conduit wiring system. The amount of cost savings depends on the complexity and size of the installation.

There are other savings in addition to the initial installation cost savings for cable tray wiring systems over conduit wiring systems. They include reduced engineering costs, reduced maintenance costs, reduced expansion costs, reduced production losses due to power outages, reduced environmental problems due to continuity of power and reduced data handling system costs due to the continuity of power. The magnitudes of many of these costs savings are difficult to determine until the condition exists which makes them real instead of potential cost savings.

DESIGN COST SAVINGS

- Most projects are roughly defined at the start of design. For projects that are not 100 percent defined before design start, the cost of and time used in coping with continuous changes during the engineering and drafting design phases will be substantially less for cable tray wiring systems than for conduit wiring systems. A small amount of engineering is required to change the width of a cable tray to gain additional wiring space capacity. Change is a complex problem when conduit banks are involved.

- The final drawings for a cable tray wiring system may be completed and sent out for bid or construction more quickly than for a conduit wiring system. Cable tray simplifies the wiring system design process and reduces the number of details.

- Cable tray wiring systems are well suited for computer aided design drawings. A spread sheet based wiring management program may be used to control the cable fills in the cable tray. While such a system may also be used for controlling conduit fill, large numbers of individual conduits must be monitored. For an equal capacity wiring system, only a few cable tray runs would have to be monitored.

- Dedicated cable tray installation zones alert other engineering disciplines to avoid designs that will produce equipment and material installation conflicts in these areas. As more circuits are added, the cable tray installation zone will increase only a few inches; the space required for the additional conduits needed would be much greater.

- **The fact that a cable can easily enter and exit cable tray anywhere along its route**, allows for some unique opportunities that provide highly flexible designs.

- Fewer supports have to be designed and less coordination is required between the design disciplines for the cable tray supports compared to conduit supports.

MATERIAL COST SAVINGS

- Excluding conductors, the cost of the cable trays, supports, and miscellaneous materials will provide a savings of up to 80% as compared to the cost of the conduits, supports, pull boxes, and miscellaneous materials. An 18 inch wide cable tray has an allowable fill area of 21 square inches. It would take 7 - 3 inch conduits to obtain this allowable fill area (7 x 2.95 square inches = 20.65 square inches).

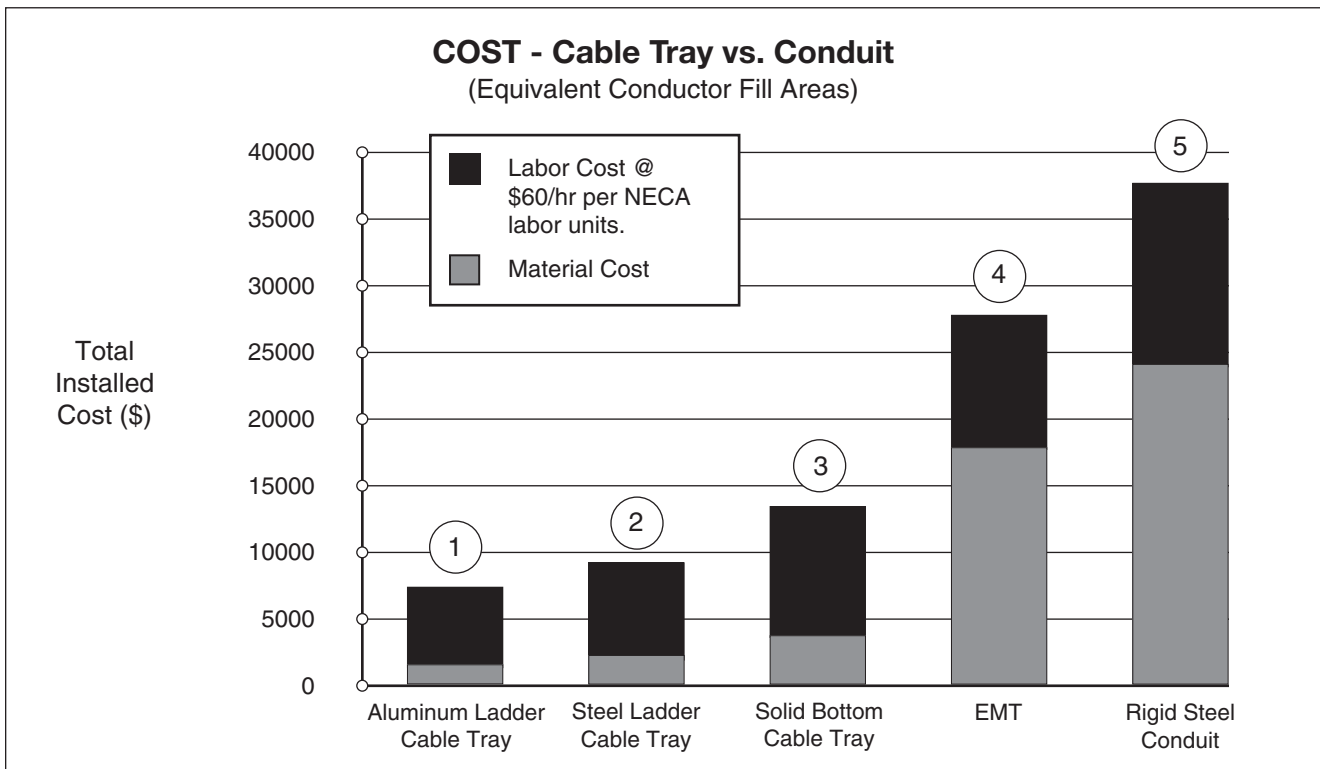
- The cost of 600 volt insulated multiconductor cables listed for use in cable tray is greater than the cost of 600 volt insulated individual conductors used in conduit. The cost differential depends on the insulation systems, jacket materials and cable construction.

- For some electrical loads, parallel conductors are installed in conduit and the conductors must be derated, requiring larger conductors to make up for the deration. If these circuits were installed in cable tray, the conductor sizes would not need to be increased since the parallel conductor derating factors do not apply to three conductor or single conductor cables in cable tray.

- Typical 300 volt insulated multiconductor instrumentation tray cables (ITC) and power limited tray cables (PLTC) cost the same for both cable tray and conduit wiring systems. This applies for instrumentation circuits, low level analog and digital signal circuits, logic input/output (I/O) circuits, etc. There are other cable tray installations which require a higher cost cable than the equivalent conduit installation. Such installations are limited to areas where low smoke emission and/or low flame spread ITC or PLTC cables must be used.

- Conduit banks often require more frequent and higher strength supports than cable trays. 3 inch and larger rigid metal conduits are the only sizes allowed to be supported on 20 foot spans [National Electrical Code® (NEC®) Table 344.30(B)(2)].

- When a cable tray width is increased 6 inches, the cable tray cost increase is less than 10 percent. This substantially increases the cable tray's wiring capacity for a minimal additional cost. To obtain such an increase in capacity for a conduit wiring system would be very costly.



Installation: 200 linear feet of cable supported with four 90° direction changes and all trapeze supports on 8 ft. spans.

- Aluminum, 18" wide, ladder cable tray (9" rung spacing) with all hardware.
- Hot dip galvanized steel, 18" wide, ladder cable tray (9" rung spacing) with all hardware.
- Hot dip galvanized steel, 18" wide, solid bottom cable tray and all hardware.
- 7 parallel runs of 3" diameter EMT with concentric bends.
- 7 parallel runs of 3" diameter galvanized conduit with concentric bends.

Note: Above costs do not include cable and cable pulling costs. Cable costs differ per installation and cable/conductor pulling costs have been shown to be considerably less for cable tray than for conduit.

INSTALLATION COST AND TIME SAVINGS

- Depending on the complexity and magnitude of the wiring system, the total cost savings for the initial installation (labor, equipment and material) may be up to 75 percent for a cable tray wiring system over a conduit wiring system. When there are banks of conduit to be installed that are more than 100 feet long and consist of four or more 2 inch conduits or 12 or more smaller conduits, the labor cost savings obtained using cable tray wiring systems are very significant.
- Many more individual components are involved in the installation of a conduit system and its conductors compared to the installation of a cable tray system and its cables. This results in the handling and installing of large amounts of conduit items vs. small amounts of cable tray items for the same wiring capacity.
- The higher the elevation of the wiring system, the more important the number of components required to complete the installation. Many additional man-hours will be required just moving the components needed for the conduit system up to the work location.
- Conduit wiring systems require pull boxes or splice boxes when there is the equivalent of more than 360 degrees of bends in a run. For large conductors, pull or junction boxes may be required more often to facilitate the conductor's installation. Cable tray wiring systems do not require pull boxes or splice boxes.
- Penetrating a masonry wall with cable tray requires a smaller hole and limited repair work.
- More supports are normally required for rigid steel conduit due to the requirements of **NEC®** Table 344.30(B)(2).
- Concentric conduit bends for direction changes in conduit banks are very labor intensive and difficult to make. However if they are not used, the installation will be unattractive. The time required to make a concentric bend is increased by a factor of 3-6 over that of a single shot bend. This time consuming practice is eliminated when cable tray wiring systems are used.
- Conductor pulling is more complicated and time consuming for conduit wiring systems than for cable tray wiring systems. Normally, single conductor wire pulls for conduit wiring systems require multiple reel setups. For conduit wiring systems, it is necessary to pull from termination equipment enclosure to termination equipment enclosure. Tray cables being installed in cable trays do not have to be pulled into the termination equipment enclosures. Tray cable may be pulled from near the first termination enclosure along the cable tray route to near the second termination enclosure. Then, the tray cable is inserted into the equipment enclosures for termination. For projects with significant numbers of large conductors terminating in switchgear, this may be a very desirable feature that can save hours of an electrician's time. Unnecessary power outages can be eliminated since tray cable pulls

may be made without de-energizing the equipment. For conduit installations, the equipment will have to be de-energized for rubber safety blanketing to be installed, otherwise the conductor pulls might have to be made on a weekend or on a holiday at premium labor costs to avoid shutting down production or data processing operations during normal working hours.

- Conductor insulation damage is common in conduits since jamming can occur when pulling the conductors. Jamming is the wedging of conductors in a conduit when three conductors lay side by side in a flat plane. This may occur when pulling around bends or when the conductors twist. Ninety-two percent of all conductor failures are the result of the conductor's insulation being damaged during the conductor's installation. Many common combinations of conductors and conduits fall into critical jam ratio values. Critical jam ratio (J.R.= Conduit ID/Conductor OD) values range from 2.8 to 3.2. The J. R. for 3 single conductor THHN/THWN insulated 350 kcmil conductors in a 2¹/₂ inch conduit would be 3.0 (2.469 inches/ 0.816 inches). If conductor insulation damage occurs, additional costs and time are required for replacing the conductors. This cannot occur in a cable tray wiring system.

- Smaller electrician crews may be used to install the equivalent wiring capacity in cable tray. This allows for manpower leveling, the peak and average crew would be almost the same number, and the electrician experience level required is lower for cable tray installations.

- Since the work is completed faster there is less work space conflict with the other construction disciplines. This is especially true if installations are elevated and if significant amounts of piping are being installed on the project.

MAINTENANCE SAVINGS

- One of the most important features of cable tray is that tray cable can easily be installed in existing trays if there is space available. Cable tray wiring systems allow wiring additions or modifications to be made quickly with minimum disruption to operations. Any conceivable change that is required in a wiring system can be done at lower cost and in less time for a cable tray wiring system than for a conduit wiring system.

- Moisture is a major cause of electrical equipment and material failures. Breathing due to temperature cycling results in the conduits accumulating relatively large amounts of moisture. The conduits then pipe this moisture into the electrical equipment enclosures which over a period of time results in the deterioration of the equipment insulation systems and their eventual failure. Also, moisture may become a factor in the corrosion failure of some of the critical electrical equipment's metallic components. Conduit seals are not effective in blocking the movement of moisture. The conduit systems may be designed to reduce the moisture

problems but not to completely eliminate it. Few designers go into the design detail necessary to reduce the effects of moisture in the conduit systems. Tray cables do not provide internal moisture paths as do conduits.

- In the event of external fires in industrial installations, the damage to the tray cable and cable tray is most often limited to the area of the flame contact plus a few feet on either side of the flame contact area. For such a fire enveloping a steel conduit bank, the steel conduit is a heat sink and the conductor insulation will be damaged for a considerable distance inside the conduit. Thermoplastic insulation may be fused to the steel conduit and the conduit will need to be replaced for many feet. This occurred in an Ohio chemical plant and the rigid steel conduits had to be replaced for 90 feet. Under such conditions, the repair cost for fire damage would normally be greater for a conduit wiring system than for cable tray and tray cable. In the Ohio chemical plant fire, there were banks of conduits and runs of cable tray involved. The cable tray wiring systems were repaired in two days. The conduit wiring systems were repaired in six days and required a great deal more manpower.

- In the event of an external fire, the conduit becomes a heat sink and an oven which decreases the time required for the conductor insulation systems to fail. The heat decomposes the cable jackets and the conductor insulation material. If these materials contain PVC as do most cables, hydrogen chloride vapors will come out the ends of the conduits in the control rooms. These fumes are very corrosive to the electronic equipment. They are also hazardous to personnel. A flame impingement on a cable tray system will not result in the fumes going into the control room as there is no containment path for them. They will be dispersed into the atmosphere.

IN MOST CASES AN OBJECTIVE EVALUATION OF THE REQUIREMENTS FOR MOST HIGH DENSITY WIRING SYSTEMS WILL SHOW THAT A CABLE TRAY WIRING SYSTEM PROVIDES A WIRING SYSTEM SUPERIOR TO A CONDUIT WIRING SYSTEM.

Abandoned Cables

Easily identified, marked, or removed - all possible from an open Cable Tray System

For the 2002 *National Electrical Code*, several proposals were submitted to the NFPA to revise the 1999 **NEC**[®] for Articles 300, 640, 645, 725, 760, 770, 800, 820, and 830 to require all abandoned cables to be removed from plenum spaces.

The purpose of the proposals is to remove the cables as a source of excess combustibles from plenums and other confined spaces such as raised floors and drop ceilings. All of the Code Making Panels agreed that this should be acceptable practice except Code Making Panel 3, which oversees Article 300.

Because Article 300 is exempt from this requirement only low-voltage and communication cables are affected.

Each Article adopted a definition of abandoned cables and the rule for removal. The general consensus is that abandoned cable is cable that is not terminated at equipment or connectors and is not identified for future use with a tag. Please refer to each individual **NEC**[®] Article for specifics.

Having to tag, remove, or rearrange cables within an enclosed raceway can be a time consuming and difficult job. Without being able to clearly see the cables and follow their exact routing throughout a facility, identifying abandoned cables would be very difficult and expensive.

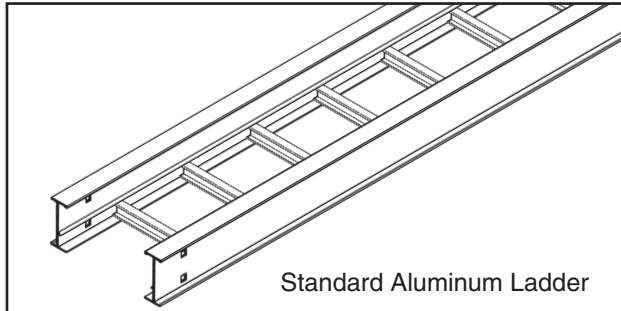
With the open accessibility of cable tray, these changes can be implemented with ease. Abandoned cables can be identified, marked, rearranged, or removed with little or no difficulty.

AN IN-DEPTH LOOK AT 2005 NEC® ARTICLE 392 - CABLE TRAY

(The following code explanations are to be used with a copy of the 2005 NEC®.)

To obtain a copy of the NEC® contact:
National Fire Protection Association®
1 Batterymarch Park • P.O. Box 9101
Quincy, Massachusetts 02269-9101
1-800-344-3555

392.1. Scope.



Standard Aluminum Ladder

Of the types of cable trays listed in this section, ladder cable tray is the most widely used type of cable tray due to several very desirable features.

- The rungs provide a convenient anchor for tying down cables in vertical runs or where the positions of the cables must be maintained in horizontal runs.
- Cables may exit or enter through the top or the bottom of the tray.
- A ladder cable tray without covers provides for the maximum free flow of air, dissipating heat produced in current carrying conductors.
- Moisture cannot accumulate in ladder cable trays and be piped into electrical equipment as happens in conduit systems.
- Ladder cable tray cannot pipe hazardous or explosive gasses from one area to another as happens with conduit systems.
- In areas where there is the potential for dust to accumulate, ladder cable trays should be installed. The dust buildup in ladder cable trays will be less than the dust buildup in ventilated trough or solid bottom cable trays.

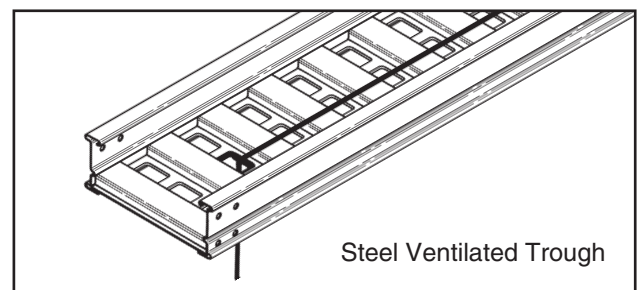
Ladder cable trays are available in widths of 6, 9, 12, 18, 24, 30, 36, and 42 inches with rung spacings of 6, 9, 12, or 18 inches. Wider rung spacings and wider cable tray widths decrease the overall strength of the cable tray. Specifiers should be aware that some cable tray manufacturers do not account for this load reduction in their published cable tray load charts. Cooper B-Line uses stronger rungs in wider cable trays to safely bear the loads published.

With one exception, the specifier selects the rung spacing that he or she feels is the most desirable for the installation. The exception is that 9 inches is the maximum allowable rung spacing for a ladder cable tray supporting any 1/0 through 4/0 single conductor cables [See Section 392.3(B)(1)(a)].

Where the ladder cable tray supports small diameter multiconductor control and instrumentation cables; 6, 9, or 12 inch rung spacings should be specified. Quality Type TC, Type PLTC, or Type ITC small diameter multiconductor control and instrumentation cables will not be damaged due to the cable tray rung spacing selected, but the installation may not appear neat if there is significant drooping of the cables between the rungs.

For ladder cable trays supporting large power cables, 9 inch or wider rung spacings should be selected. For many installations, the cable trays are routed over the top of a motor control center (MCC) or switchgear enclosure. Cables exit out the bottom of the cable trays and into the top of the MCC or switchgear enclosure. For these installations, the cable manufacturer's recommended minimum bending radii for the specific cables must not be violated. If the rung spacing is too close, it may be necessary to remove some rungs in order to maintain the proper cable bending radii. This construction site modification can usually be avoided by selecting a cable tray with 12 or 18 inch rung spacing.

If you are still uncertain as to which rung spacing to specify, 9 inch rung spacing is the most common and is used on 80% of the ladder cable tray sold.



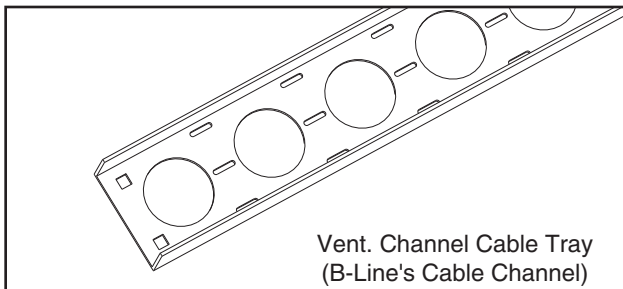
Steel Ventilated Trough

The 1999 NEC® added the word 'ventilated' in front of trough to clear up some confusion that solid trough is treated the same as ventilated trough. It is not. Solid trough is recognized as solid bottom cable tray.

Cable Tray Manual

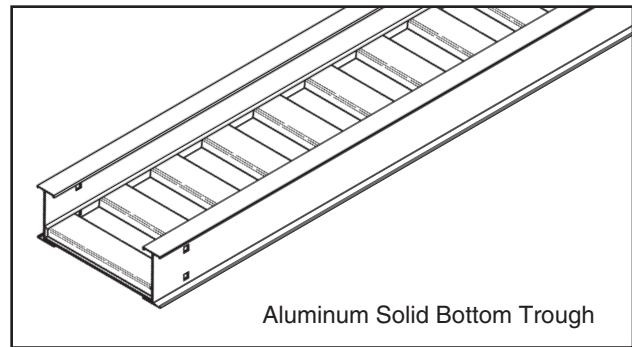
Ventilated trough cable tray is often used when the specifier does not want to use ladder cable tray to support small diameter multiconductor control and instrumentation cables. As no drooping of the small diameter cables is visible, ventilated trough cable trays provide neat appearing installations. Small diameter cables may exit the ventilated trough cable tray through the bottom ventilation holes as well as out the top of the cable tray. For installations where the cables exit the bottom of the cable tray and the system is subject to some degree of vibration, it is advisable to use Cooper B-Line Trough Drop-Out Bushings (Cat. No. 99-1124). These snap-in bushings provide additional abrasion protection for the cable jackets. Just as for ladder cable tray, ventilated trough cable tray will not pipe moisture into electrical equipment.

Standard widths for ventilated trough cable tray systems are 6, 9, 12, 18, 24, 30, and 36 inches. The standard bottom configuration for ventilated trough cable tray is a corrugated bottom with $2\frac{7}{8}$ inch bearing surfaces - 6 inches on centers and $2\frac{1}{4}$ inch x 4 inch ventilation openings. Since a corrugated bottom cannot be bent horizontally, the standard bottom configuration for horizontal bend fittings consists of rungs spaced on 4 inch centers. This difference in bottom construction may be objectionable to some owners, so be sure you are aware of the owner's sensitivity to aesthetics for the cable tray installation.



Channel cable tray systems (Cooper B-Line's cable channel) are available in 3, 4, and 6 inch widths with ventilated or solid bottoms. **The NEC® now recognizes solid bottom cable channel.** Prior to the 2002 Code, the NEC® did not have any specific provisions for the use of solid cable channel.

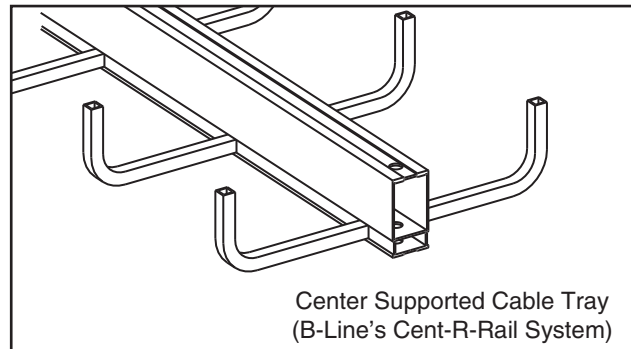
Instead of large conduits, cable channel may be used very effectively to support cable drops from the cable tray run to the equipment or device being serviced and is ideal for cable tray runs involving a small number of cables. Cable channel may also be used to support push buttons, field mounted instrumentation devices, etc. Small diameter cables may exit ventilated cable channel through the bottom ventilation holes, out the top or through the end. For installations where the cables exit through the ventilation openings and the cable channel or the cables are subject to some degree of vibration, it is advisable to use Cooper B-Line Cable Channel Bushings (Cat. No. 99-1125). These snap-in plastic bushings provide additional abrasion protection for the cable jackets.



Some specifiers prefer solid bottom cable tray to support large numbers of small diameter control and multiconductor instrumentation cables. Solid bottom steel cable trays with solid covers and wrap around cover clamps can be used to provide EMI/RFI shielding protection for sensitive circuits.

Unlike ladder and ventilated trough cable trays, solid bottom cable trays can collect and retain moisture. Where they are installed outdoors or indoors in humid locations and EMI/RFI shielding protection is not required, it is recommended that $\frac{1}{4}$ inch weep holes be drilled in their bottoms at the sides and in the middle every 3 feet to limit water accumulation.

The words "and other similar structures." were incorporated in Section 392.1 for future types of cable tray that might be developed, such as center supported type cable tray. All the technical information developed by the 1973 NEC® Technical Subcommittee on Cable Tray for Article 318 - Cable Trays was based on cable trays with side rails and this technical information is still the basis for the 2005 NEC® Article 392 - Cable Trays.



The standard lengths for cable trays are 10, 12, 20 and 24 feet (consult Cooper B-Line for the availability of nonstandard cable tray lengths). Selecting a cable tray length is based on several criteria. Some of these criteria include the required load that the cable tray must support, the distance between the cable tray supports, and ease of handling and installation. **One industry standard that is strongly recommended is that only one cable tray splice be placed between support spans** and, for long span trays, that they ideally be placed at $\frac{1}{4}$ -span. This automatically limits the length of tray you choose, as the tray must be longer than or equal to the support span you have selected.

Matching the tray length to your support span can help ensure that your splice locations are controlled.

Cable trays can be organized into 4 categories: Short Span, Intermediate Span, Long Span, and Extra-Long Span.

Short Span trays, typically used for non-industrial indoor installations, are usually supported every 6 to 8 feet, while Intermediate Span trays are typically supported every 10 to 12 feet. A 10 or 12 foot cable tray is usually used for both of these types of installations. To keep from allowing two splices to occur between supports, a 12 foot tray should be used for any support span greater than 10 feet, up to 12 feet. Placing the cable tray splices at $\frac{1}{4}$ -span is not critical in a short or intermediate span application given that most trays have sufficiently strong splice plates.

In an indoor industrial installation 10 or 12 foot tray sections may be easier to handle and install as you may have piping or ducting to maneuver around. However, using 20 foot instead of 12 foot straight sections may provide labor savings during installation by reducing the number of splice joints. If this is done, the selected tray system should meet the loading requirements for the support span you are using. If you are interested in supporting 100 lbs/ft and you are buying 20 foot tray sections while supporting it every 12 feet, it isn't necessary to specify a NEMA 20C tray (100 lbs/ft on a 20 foot span). A NEMA 20A tray (50 lbs/ft on a 20 foot span) will support over 130 lbs/ft when supported on a 12 ft span with a safety factor of 1.5. Specifying a 20C tray is not an economical use of product. If you desire to use 20 foot sections of cable tray, it makes more sense to increase your support span up to 20 feet. This not only saves labor by decreasing the number of splices, but also by decreasing the number of supports that must be installed.

Long Span trays are typically supported anywhere from 14 to 20 foot intervals with 20 feet being the most popular. In long span situations, the placement of the splice locations at $\frac{1}{4}$ -span becomes much more important. Matching the tray length to your support span can help control your splice locations.

Extra-Long Span trays are supported on spans exceeding 20 feet. Some outdoor cable tray installations may have to span anywhere from 20 to 30 feet to cross roads or to reduce the number of expensive outdoor supports. The distance between supports affects the tray strength exponentially; therefore the strength of the cable tray system selected should be designed around the specific support span chosen for that run.

[See Section 392.5(A) on page 396 for additional information on cable tray strength and rigidity.]

Cooper B-Line has many cataloged fittings and accessory items for ladder, ventilated trough, ventilated channel, and solid bottom cable trays which eliminate the need for the costly field fabrication of such items. When properly selected and installed, these factory

fabricated fittings and accessories improve the appearance of the cable tray system in addition to reducing labor costs.

Cable Tray Materials

Metallic cable trays are readily available in aluminum, pregalvanized steel, hot-dip galvanized after fabrication, and stainless steel. Aluminum cable tray should be used for most installations unless specific corrosion problems prohibit its use. Aluminum's light weight significantly reduces the cost of installation when compared to steel.

A fine print note is included in the 2005 **NEC**[®] that references the National Electrical Manufacturers Association (NEMA) documents for further information on cable tray. These documents: ANSI/NEMA VE-1, Metal Cable Tray Systems; NEMA VE-2, Cable Tray Installation Guidelines; and NEMA FG-1, Non Metallic Cable Tray Systems, are an excellent industry resource in the application, selection, and installation of cable trays both metallic and non metallic. Contact Cooper B-Line for more information concerning these helpful documents.

392.2. Definition. Cable Tray System.

This section states that cable tray is a rigid structural support system used to securely fasten or support cables and raceways. Cable trays are not raceways. Cable trays are mechanical supports just as strut systems are mechanical supports. **NEC**[®] Article 392 - Cable Trays is an article dedicated to a type of mechanical support. It is very important that the personnel involved with engineering and installing cable tray utilize it as a mechanical support system and not attempt to utilize it as a raceway system. There are items in the **NEC**[®] that apply to raceways and not to cable tray. There are also items in the **NEC**[®] that apply to cable tray and not to raceways. These differences will be covered at the appropriate locations in this manual.

392.3. Uses Permitted. Cable tray installations shall not be limited to industrial establishments.

The text in Section 392.3 clearly states that cable tray may be used in non-industrial establishments. The use of cable tray should be based on sound engineering and economic decisions.

For clarity, the **NEC**[®] now lists all types of circuits to explicitly permit their use in cable trays. These circuit types include: services, feeders, branch circuits, communication circuits, control circuits, and signaling circuits.

The 2002 **NEC**[®] also added a new requirement that where cables in tray are exposed to the direct rays of the sun, they shall be identified as sunlight resistant for all occupancies, not just industrial.

392.3. Uses Permitted. (A) Wiring Methods.

This section identifies the 300 & 600 volt multiconductor cables that may be supported by cable tray. The "Uses Permitted" or "Uses Not Permitted" sections in the appropriate **NEC**[®] cable articles provide the details as to where that cable type may be used. Where the cable type may be used, cable tray may be installed to support it except as per Section 392.4 which states that cable trays shall not be installed in hoistways or where subject to severe physical damage. Where not subject to severe physical damage, cable tray may be used in any hazardous (classified) area to support the appropriate cable types in accordance with the installation requirements of the various Articles that make up **NEC**[®] Chapter 5 or in any non-hazardous (unclassified) area.

It should be noted that Section 300.8 of the **NEC[®] states that cable trays containing electric conductors cannot contain any other service that is not electrical. This includes any pipe or tube containing steam, water, air, gas or drainage.**

For commercial and industrial cable tray wiring systems: Type ITC, Type MC, Type TC, and Type PLTC multiconductor cables are the most commonly used cables. Type MI and Optical-Fiber cables are special application cables that are desirable cables for use in some cable tray wiring systems. The following paragraphs provide information and comments about these cable types.

Type MI Cable: *Mineral-Insulated, Metal Sheathed Cable (Article 332)*. This cable has a liquid and gas tight continuous copper sheath over its copper conductors and magnesium oxide insulation. Developed in the late 1920's by the French Navy for submarine electrical wiring systems, properly installed MI cable is the safest electrical wiring system available. In Europe, Type MI cable has had a long, successful history of being installed (with PVC jackets for corrosion protection) in cable trays as industrial wiring systems. This cable may be installed in hazardous (classified) areas or in non-hazardous (unclassified) areas. The single limitation on the use of Type MI cable is that it may not be used where it is exposed to destructive corrosive conditions unless protected by materials suitable for the conditions. Type MI cable without overall nonmetallic coverings may be installed in ducts or plenums used for environmental air and in other space used for environmental air in accordance with Sections 300.22(B) and (C). Cable tray may be installed as a support for Type MI cable in any location except where the cable is installed in a hoistway. Section 332-30 states that MI cable shall be securely supported at intervals not exceeding 6 feet (1.83 m). Type MI cable has a UL two hour fire resistive rating when properly installed. An installation requirement for this rating is that the cable be securely supported every 3 feet. Steel or stainless steel cable trays should be used to support Type MI cable being used for critical circuit service. During severe fire conditions, steel or stainless steel cable tray will remain intact and provide support longer than aluminum or fiberglass reinforced plastic cable trays.

Type MC Cable: *Metal-clad cable (Article 330)*. There are large amounts of Type MC cable installed in industrial plant cable tray systems. This cable is often used for feeder and branch circuit service and provides excellent service when it is properly installed. The metallic sheath may be interlocking metal tape or it may be a smooth or corrugated metal tube. A nonmetallic jacket is often extruded over the aluminum or steel sheath as a corrosion protection measure. Regular MC cable, without nonmetallic sheath, may be supported by cable tray in any hazardous (classified) area except Class I and Class II, Division 1 areas. For Type MC cables to qualify for installation in Class I and Class II Division I areas (Section 501-4(A) (1) (c&d), they must have a gas/vapor tight continuous corrugated aluminum sheath with a suitable plastic jacket over the sheath. They must also contain equipment grounding conductors and listed termination fittings must be used where the cables enter equipment. Type MC Cable employing an impervious metal sheath without overall nonmetallic coverings may be installed in ducts or plenums used for environmental air in accordance with Section 300.22(B) and may be installed in other space used for environmental air in accordance with Section 300.22(C). The maximum support spacing is 6 feet (1.83 m).

Type TC Cable: *Power and control tray cable (Article 336)*. This cable type was added to the 1975 **NEC**[®] (as an item associated with the revision of Article 318-Cable Trays). Type TC cable is a multiconductor cable with a flame retardant nonmetallic sheath that is used for power, lighting, control, and signal circuits. It is the most common cable type installed in cable tray for 480 volt feeders, 480 volt branch circuits, and control circuits. Where Type TC cables comply with the crush and impact requirements of Type MC cable and is identified for such use, they are permitted as open wiring between a cable tray and the utilization equipment or device. In these instances where the cable exits the tray, the cable must be supported and secured at intervals not exceeding 6 feet (See Section 336.10(6)). The service record of UL listed Type TC cable where properly applied and installed has been excellent.

For those installations where the **NEC**[®] allows its use, a cost savings is realized by using Type TC cables instead of Type MC cables. Type TC cable may be installed in cable tray in hazardous (classified) industrial plant areas as permitted in Articles 392, 501, 502, 504 and 505 provided the conditions of maintenance and supervision assure that only qualified persons will service the installation [See Section 336.10(3)].

Where a cable tray wiring system containing Type TC cables will be exposed to any significant amount of hot metal splatter from welding or the torch cutting of metal during construction or maintenance activities, temporary metal or plywood covers should be installed on the cable tray in the exposure areas to prevent cable jacket and conductor insulation damage. It is desirable to use only quality Type TC cables that will pass the IEEE 383 and UL Vertical Flame Tests (70,000 BTU/hr). Type TC cable assemblies may contain optical fiber members as per the UL 1277 standard.

Type ITC Cable: Instrumentation Tray Cable (Article 727). Although this was a new cable article in the 1996 **NEC**[®], it is not a new type of cable. Thousands of miles of ITC cable have been installed in industrial situations since the early 1960's. This is a multiconductor cable that most often has a nonmetallic jacket. The No. 22 through No. 12 insulated conductors in the cables are 300 volt rated. A metallic shield or a metallized foil shield with a drain wire usually encloses the cable's conductors. These cables are used to transmit the low energy level signals associated with the industrial instrumentation and data handling systems. These are very critical circuits that impact on facility safety and on product quality. Type ITC cable must be supported and secured at intervals not exceeding 6 feet [See Section 727.4].

Type ITC Cable may be installed in cable trays in hazardous (classified) areas as permitted in Articles 392, 501, 502, 504 and 505. It states in Article 727 that Type ITC cables that comply with the crush and impact requirements of Type MC cable and are identified for such use, are permitted as open wiring in lengths not to exceed 50 ft. between a cable tray and the utilization equipment or device. Where a cable tray wiring system containing Type ITC cables will be exposed to any significant amount of hot metal splatter from welding or the torch cutting of metal during construction or maintenance activities, temporary metal or plywood covers should be installed on the cable tray to prevent cable jacket or conductor insulation damage. It is desirable to use only quality Type ITC cables that will pass the IEEE 383 and UL Vertical Flame Tests (70,000BTU/hr).

Type PLTC Cable: Power-Limited Tray Cable (Sections 725-61(C), and 725-71(E)). This is a multiconductor cable with a flame retardant nonmetallic sheath. The No. 22 through No. 12 insulated conductors in the cables are 300 volt rated. A metallic shield or a metallized foil shield with drain wire usually encloses the cable's conductors. This cable type has high usage in communication, data processing, fire protection, signaling, and industrial instrumentation wiring systems.

There are versions of this cable with insulation and jacket systems made of materials with low smoke emission and low flame spread properties which make them desirable for use in plenums. In Industrial Establishments where the conditions of maintenance and supervision ensure that only qualified persons service the installation and where the cable is not subject to physical damage Type PLTC cable may be installed in cable trays hazardous (classified) areas as permitted in Section 501.4(B), 502.4(B) and 504.20. Type PLTC cables that comply with the crush and impact requirements of Type MC cable and are identified for such use, are permitted as open wiring in lengths not to exceed a total of 50 ft. between a cable tray and the utilization equipment or device. In this situation, the cable needs to be supported and secured at intervals not exceeding 6 ft. Where a cable tray wiring system containing Type PLTC cables will be exposed to any significant amount of hot metal splatter

from welding or the torch cutting of metal during construction or maintenance activities, temporary metal or plywood covers should be installed on the cable tray to prevent cable jacket and conductor insulation damage. It is desirable to use only quality Type PLTC cables that will pass the IEEE 383 and UL Vertical Flame Tests (70,000 BTU/hr). Type PLTC cable assemblies may contain optical fiber members as per the UL 1277 standard.

Optical Fiber Cables (Article 770). The addition of optical fiber cables in the Section 392.3(A) cable list for the 1996 NEC was not a technical change. Optical fiber cables have been allowed to be supported in cable trays as per Section 770.6. Optical fibers may also be present in Type TC cables as per UL Standard 1277.

For the 1999 **NEC**[®] code, Article 760 - Fire Alarm Cables and Articles 800 - Multipurpose and Communications Cables were added to the list of cables permitted to be installed in cable tray systems.

For the 1993 **NEC**[®], the general statement in the 1990 **NEC**[®] which allowed all types of raceways to be supported by cable trays was replaced by individual statements for each of the ten specific raceway types that may now be supported by cable tray. The chances of any such installations being made are very low, since strut is a more convenient and economic choice than cable tray to support raceway systems.

392.3. Uses Permitted. (B) In Industrial Establishments.

This section limits the installation of single conductor cables and Type MV multiconductor cables in cable trays to qualifying industrial establishments as defined in this section.

Per the 2002 **NEC**[®] solid bottom cable trays are now permitted to support single conductor cables only in industrial establishments where conditions of maintenance and supervision ensure that only qualified persons will service the installed cable tray system. However, at this time, no fill rules for single conductor cables in solid bottom cable tray have been established. [see Section 392.3(B)]

392.3. Uses Permitted. (B) In Industrial Establishments. (1) Single Conductor.

Section 392.3(B)(1) covers 600 volt and Type MV single conductor cables.

There are several sections which cover the requirements for the use of single conductor cables in cable tray even though they only comprise a small percentage of cable tray wiring systems. Such installations are limited to qualifying industrial facilities [See Section 392.3(B)]. Many of the facility engineers prefer to use three conductor power cables. Normally, three conductor power cables provide more desirable electrical wiring systems than single conductor power

cables in cable tray (See Section 392.8. Cable installation - three conductor vs. single conductor cables).

392.3(B)(1)(a)

Single conductor cable shall be No. 1/0 or larger and shall be of a type listed and marked on the surface for use in cable trays. Where Nos. 1/0 through 4/0 single conductor cables are used, the maximum allowable rung spacing for ladder cable tray is 9 inches.

392.3(B)(1)(b)

Welding cables shall comply with Article 630, Part IV which states that the cable tray must provide support at intervals not to exceed 6 inches. A permanent sign must be attached to the cable tray at intervals not to exceed 20 feet. The sign must read "CABLE TRAY FOR WELDING CABLES ONLY".

392.3(B)(1)(c)

This section states that single conductors used as equipment grounding conductors (EGCs) in cable trays shall be No. 4 or larger insulated, covered or bare.

The use of a single conductor in a cable tray as the EGC is an engineering design option. Section 300.3(B) states that all conductors of the same circuit and the EGC, if used, must be contained within the same cable tray.

The other options are to use multiconductor cables that each contain their own EGC or to use the cable tray itself as the EGC in qualifying installations [see Section 392.3(C)]

If an aluminum cable tray is installed in a moist environment where the moisture may contain materials that can serve as an electrolyte, a bare copper EGC should not be used. Under such conditions, electrolytic corrosion of the aluminum may occur. For such installations, it is desirable to use a low cost 600 volt insulated conductor and remove the insulation where connections to equipment or to equipment grounding conductors are made. (See Section 392.7. Grounding, for additional information on single conductors used as the EGC for cable tray systems).

392.3. Uses Permitted. (B) In Industrial Establishment (2) Medium Voltage.

Single and multiconductor type MV cables must be sunlight resistant if exposed to direct sunlight. Single conductors shall be installed in accordance with 392.3(B)(1)

392.3. Uses Permitted. (C) Equipment Grounding Conductors.

Cable tray may be used as the EGC in any installation where qualified persons will service the installed cable tray system. There is no restriction as to where the

cable tray system is installed. The metal in cable trays may be used as the EGC as per the limitations of table 392.7(B)(2). See Section 392.7. *Grounding* in this manual for additional information on the use of cable trays as the EGC.

392.3. Uses Permitted. (D) Hazardous (Classified) Locations.

This section states that if cable tray wiring systems are installed in hazardous (classified) areas, the cables that they support must be suitable for installation in those hazardous (classified) areas. The cable carries the installation restriction. The installation restriction is not on the cable tray except that the cable tray installations must comply with Section 392.4. The following is an explanation of the parts of the code which affect the use of cable tray in hazardous locations.

501.10. Wiring Methods - Listed Termination Fittings. (A) *Class 1, Division 1 (Gases or Vapors).* 501.10(A)(1)(b) Type MI cable may be installed in cable tray in this type of hazardous (classified) area.

501.10(A)(1)(c) allows Type MC-HL cables to be installed in Class I, Division I areas if they have a gas/vapor tight continuous corrugated aluminum sheath with a suitable plastic jacket over the sheath. They must also contain equipment grounding conductors sized as per Section 250.122 and listed termination fittings must be used where the cables enter equipment.

501.10(A)(1)(d) allows Type ITC-HL cable to be installed in Class I, Division I areas if they have a gas/vapor tight continuous corrugated aluminum sheath with a suitable plastic jacket over the sheath and provided with termination fittings listed for the application.

501.10. Wiring Methods. (B) *Class 1, Division 2 (Gases or Vapors).* Types ITC, PLTC, MI, MC, MV, or TC cables may be installed in cable tray in this type of hazardous (classified) area. Under the conditions specified in Section 501.15(E), Cable seals are required in Class 1, Division 2 areas. Cable seals should be used only when absolutely necessary.

501.15. Sealing and Drainage. (E) *Cable Seals, Class 1, Division 2.* (1) Cables will be required to be sealed only where they enter certain types of enclosures used in Class 1, Division 2 areas. Factory sealed push buttons are an example of enclosures that do not require a cable seal at the entrance of the cable into the enclosure.

501.15. Sealing and Drainage. (E) *Cable Seals, Class 1, Division 2.* (2) Gas blocked cables are available from some cable manufacturers but they have not been widely used. For gas to pass through the jacketed multiconductor cable's core, a pressure differential must be maintained from one end of the cable to the other

end or to the point where there is a break in the cable's jacket. The existence of such a condition is extremely rare and would require that one end of the cable be in a pressure vessel or a pressurized enclosure and the other end be exposed to the atmosphere. The migration of any significant volume of gas or vapor through the core of a multiconductor cable is very remote. This is one of the safety advantages that cable tray wiring systems have over conduit wiring systems. There are documented cases of industrial explosions caused by the migration of gases and vapors through conduits when they came in contact with an ignition source. There are no known cases of cables in cable tray wiring systems providing a path for gases or vapors to an ignition source which produced an industrial explosion.

501.15. Sealing and Drainage. (E) Cable Seals, Class 1, Division 2. (3)

Exception: Cables with an unbroken gas/vapor-tight continuous sheath shall be permitted to pass through a Class 1, Division 2 location without seals.

This is an extremely important exception stating that cable seals are not required when a cable goes from an unclassified area through a classified area then back to an unclassified area.

501.15. Sealing and Drainage. (E) Cable Seals, Class 1, Division 2. (4)

If you do not have a gas/vapor-tight continuous sheath, cable seals are required at the boundary of the Division 2 and unclassified location.

The sheaths mentioned above may be fabricated of metal or a nonmetallic material.

502.10. Wiring Methods. (A) Class II, Division 1 (Combustible Dusts).

Type MI cable may be installed in cable tray in this type of hazardous (classified) area.

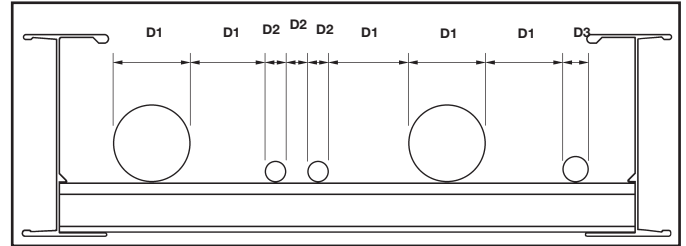
The Exception allows Type MC cables to be installed in Class II, Division 1 areas if they have a gas/vapor tight continuous corrugated aluminum sheath with a suitable plastic jacket over the sheath. They must also contain equipment grounding conductors sized as per Section 250.122 and listed termination fittings must be used where the cables enter equipment.

502.10. Wiring Methods. (B) Class II, Division 2 (Combustible Dusts).

This section states:

Type ITC and PLTC cables may be installed in ladder or ventilated cable trays following the same practices as used in non-hazardous (unclassified) areas. No spacing is required between the ITC or PLTC cables. This is logical as the ITC and PLTC cable circuits are all low energy circuits which do not produce any significant heat or heat dissipation problems.

Type MC, MI and TC [See Section 336.4(3)] cables may be installed in ladder, ventilated trough, or ventilated cable channel, but they are not allowed to be installed in solid bottom cable trays.



Required Spacing in Cable Trays for Type MC, MI & TC Cables in Class II, Division 2 Hazardous (Classified) Areas

Note 1. The cables are limited to a single layer with spacing between cables equal to the diameter of the largest adjacent cable. This means that the cables must be tied down at frequent intervals in horizontal as well as vertical cable trays to maintain the cable spacing. A reasonable distance between ties in the horizontal cable tray would be approximately 6 feet (See Section 392.8 Cable Installation - Tying cables to cable trays).

Note 2. Spacing the cables a minimum of 1 inch from the side rails to prevent dust buildup is recommended. This is not an NEC requirement but a recommended practice.

Where cable tray wiring systems with current carrying conductors are installed in a dust environment, ladder type cable trays should be used since there is less surface area for dust buildup than in ventilated trough cable trays. The spacing of the cables in dust areas will prevent the cables from being totally covered with a solid dust layer. In dusty areas, the top surfaces of all equipment, raceways, supports, or cable jacket surfaces where dust layers can accumulate will require cleanup housekeeping at certain time intervals. Good housekeeping is required for personnel health, personnel safety and facility safety. Excessive amounts of dust on raceways or cables will act as a thermal barrier which may not allow the power and lighting insulated conductors in a raceway or cable to safely dissipate internal heat. This condition may result in the accelerated aging of the conductor insulation. A cable tray system that is properly installed and maintained will provide a safe dependable wiring system in dust environments.

Exception: Type MC cable listed for use in Class II, Division 1 locations shall be permitted to be installed without the above spacing limitations. This was a new exception for the 1999 NEC® code.

For this type of wiring there is no danger of the cables being overheated when covered with dust. The current flow in these circuits is so low that the internally generated heat is insufficient to heat the cables and cable spacing is not a necessity. Even under such conditions, layers of dust should not be allowed to accumulate to critical depths as they may be ignited or

explode as the result of problems caused by other than the electrical system.

502.10(B)(3). *Nonincendive Field Wiring*

Wiring in nonincendive circuits shall be permitted using any of the wiring methods suitable for wiring in ordinary locations.

503.10. *Wiring Methods. (A) Class III, Division 1 and (B) Class III, Division 2 (Ignitable Fibers or Flyings).* Type MI or MC cables may be installed in cable tray in these types of hazardous (classified) areas. The installations should be made using practices that minimize the build-up of materials in the trays. This can be done by using ladder cable tray with a minimum spacing between the cables equal to the diameter of the largest adjacent cable. In some cases, a greater spacing between cables than that based on the cable diameters might be desirable depending on the characteristics of the material that requires the area to be classified. Here again, it must be emphasized that good housekeeping practices are required for all types of wiring systems to insure the safety of the personnel and the facility.

504.20. *Wiring Methods.* This section allows intrinsically safe wiring systems to be installed in cable trays in hazardous (classified) areas. Section 504.30 specifies the installation requirements for intrinsically safe wiring systems that are installed in cable trays. Section 504.70 specifies the sealing requirements for cables that may be part of a cable tray wiring system. Section 504.80(B) states that cable trays containing intrinsically safe wiring must be identified with permanently affixed labels.

Cable trays are ideal for supporting both intrinsically safe and nonintrinsically safe cable systems as the cables may be easily spaced and tied in position or a standard metallic barrier strip may be installed between the intrinsically and nonintrinsically safe circuits.

505.15. *Wiring Methods.* This section was added to the 2002 **NEC**[®] to explicitly permit cable trays in hazardous areas classified by the international zone system, if the cables comply with the cable requirements for zone locations.

392.3. Uses Permitted. (E) Nonmetallic Cable Tray.

There are limited numbers of applications where nonmetallic cable trays might be preferred over metallic cable trays for electrical safety reasons and/or for some corrosive conditions. An example of an electrical safety application would be in an electrolytic cell room. Here, the amperages are very high and significant stray current paths are present. Under such conditions, there is the possibility for a high amperage short circuit if a low resistance metallic path (metallic cable tray or metallic raceway) is present [See information under Section 392.5(F) Nonmetallic Cable Trays].

392.4. Uses Not Permitted.

This is the only place in the **NEC**[®] where all the various types of cable tray have limitations on their place of use. No cable trays can be used in hoistways or where subject to severe physical damage. The designer must identify the zones of installation where a cable tray might be subjected to severe physical damage. Usually such areas are limited and provisions can be made to protect the cable tray by relocating it to a more desirable location or as a last resort to provide protection using the appropriate structural members.

The second sentence of Section 392.4 states that cable tray shall not be used in ducts, plenums, and other air-handling spaces except to support the wiring methods recognized for use in such spaces. This is not a restriction on cable tray as long as it is used as a support for the appropriate cable types.

Metallic cable trays may support cable types approved for installation in ducts, plenums, and other air-handling spaces as per Section 300.22(B) and the cable types approved for installation in Other Space Used for Environmental Air as per Section 300.22(C).

The second sentence of Section 300.22(C)(1) is as follows:

Other types of cables and conductors shall be installed in electrical metallic tubing, flexible metallic tubing, intermediate metal conduit, rigid metal conduit without an overall nonmetallic covering, flexible metal conduit, or, where accessible, surface metal raceway or metal wireway with metal covers or solid bottom metal cable tray with solid metal covers.

Reprinted with permission from NFPA 70-1999, the National Electrical Code[®], Copyright© 1998, National Fire Protection Association, Quincy, MA 02269. This reprinted material is not the complete and official position of the National Fire Protection Association, on the referenced subject which is represented only by the standard in its entirety.

This part of Section 300.22(C) is confusing. The statement as underlined in the above paragraph leads some to assume, for installations in Other Spaces Used for Environmental Air, that the types of insulated single conductors which are installed in raceway installations may also be installed in solid bottom metal cable trays with metal covers. This is not so. Only the appropriate multiconductor cable types as per Section 392.3(A) may be installed in solid bottom cable trays.

Cable tray may be used to support data process wiring systems in air handling areas below raised floors as per Sections 300.22(D) and 800.52(D).

392.5. Construction Specifications. (A) Strength and Rigidity.

The designer must properly select a structurally satisfactory cable tray for their installation. This selection is based on the cable tray's strength, the cable

tray loading and the spacing of the supports. The ANSI/NEMA Metallic Cable Tray Systems Standard Publication VE-1 contains the cable tray selection information and it is duplicated in Cooper B-Line's Cable Tray Systems Catalog.

The NEMA Standard provides for a static load safety factor of 1.5. A number (Span in Feet - the distance between supports) and letter (Load in lbs/ft) designation is used to properly identify the cable tray class on drawings, in specifications, in quotation requisitions, and in purchase requisitions to guarantee that the cable tray with the proper characteristics will be received and installed. The designer must specify the cable tray type, the material of construction, section lengths, minimum bend radius, width, rung spacing (for a ladder type cable tray), and the total loading per foot for the cables on a maximum support spacing (See pages 428 & 429 for cable tray specifications checklist). For many installations, the cable trays must be selected so that they are capable of supporting specific concentrated loads, the weight of any equipment or materials attached to the cable tray, ice and snow loading, and for some installations the impact of wind loading and/or earthquakes must be considered.



Most cable trays are utilized as continuous beams with distributed and concentrated loads. Cable trays can be subjected to static loads like cable loads and dynamic loads such as wind, snow, ice, and even earthquakes. The total normal and abnormal loading for the cable tray is determined by adding all the applicable component loads. The cable load + the concentrated static loads + ice load (if applicable) + snow load (if applicable) + wind load (if applicable) + any other logical special condition loads that might exist. This total load is used in the selection of the cable tray.

The following is an explanation of the 'historical' NEMA cable tray load classifications found in ANSI/NEMA VE-1.

There used to be four cable tray support span categories, 8, 12, 16, and 20 feet, which are coupled with one of three load designations, "A" for 50 lbs/ft, "B" for 75 lbs/ft, and "C" for 100 lbs/ft. For example, a NEMA class designation of 20B identifies a cable tray that is to be supported at a maximum of every 20 feet and can support a static load of up to 75 lbs/linear foot.

The cable load per foot is easy to calculate using the cable manufacturer's literature. If the cable tray has space available for future cable additions, a cable tray has to be specified that is capable of supporting the

final future load. Although these historical load designations are still useful in narrowing down the choices of cable trays, NEMA has recently changed the VE-1 document. ANSI/NEMA VE-1 now requires the marking on the cable trays to indicate the exact rated load on a particular span. Trays are no longer limited to the four spans and three loads listed above. Now, for example, a tray may be rated for 150 lbs/ft on a 30 ft. span. It is recommended when specifying cable tray, to specify the required load, support span and straight section length to best match the installation.

Example of Cable Loading per foot:

- 10 - 3/C No. 4/0 (2.62 lbs/ft)
Total = 26.20 lbs/ft
- 3 - 3/C No. 250 kcmil (3.18 lbs/ft)
Total = 9.54 lbs/ft
- 4 - 3/C No. 500 kcmil (5.87 lbs/ft)
Total = 23.48 lbs/ft

Total Weight of the Cables = **59.22 lbs/ft**

These cables would fill a 30 inch wide cable tray and if a 36 inch wide cable tray were used there would be space available for future cables (See pages 421 thru 427 for information on calculating tray width.). To calculate the proper cable tray design load for the 36" wide cable tray multiply 59.22 lbs/ft x 36 inches/30 inches = 71.06 lbs/ft. If this cable tray is installed indoors, a load symbol "B" cable tray would be adequate. If there were additional loads on the cable tray or the cable tray were installed outdoors, it would be necessary to calculate all the additional potential loads. The potential load most often ignored is installation loads. The stresses of pulling large cables through cable trays can produce 3 times the stress of the cables' static load. If the installation load is not evaluated the cable tray may be damaged during installation. A 16C or 20C NEMA Class should be specified if large cables are to be pulled.

Even though walking on cable tray is not recommended by cable tray manufacturers and OSHA regulations, many designers will want to specify a cable tray which can support a 200 lb. concentrated load "just in case". A concentrated static load applied at the midspan of a cable tray is one of the most stressful conditions a cable tray will experience. To convert a static concentrated load at midspan to an equivalent distributed load take twice the concentrated load and divide it by the support span $[(2 \times 200 \text{ lbs.})/\text{Span}]$. The strength of the rung is also a very important consideration when specifying a concentrated load. The rung must be able to withstand the load for any tray width, as well as additional stresses from cable installation. Excessive rung deflection can weaken the entire cable tray system. Cooper B-Line uses heavier rungs on their wider industrial trays as a standard. Most cable tray manufacturer's rungs are not heavy enough to withstand concentrated loads at 36" tray widths.

For outdoor installations a cable tray might be subject to ice, snow, and wind loading. Section 25 of the National Electrical Safety Code (published by the

Institute of Electrical and Electronic Engineers) contains a weather loading map of the United States to determine whether the installation is in a light, medium, or heavy weather load district. NESC Table 250-1 indicates potential ice thicknesses in each loading district as follows: 0.50 inches for a heavy loading district, 0.25 inches for a medium loading district, and no ice for a light loading district. To calculate the ice load use 57 pounds per cubic foot for the density of glaze ice. Since tray cables are circular and the cable tray has an irregular surface the resulting ice load on a cable tray can be 1.5 to 2.0 times greater than the glaze ice load on a flat surface.

Snow load is significant for a cable tray that is completely full of cables or a cable tray that has covers. The density of snow varies greatly due to its moisture content, however the minimum density that should be used for snow is 5 pounds per cubic foot. The engineer will have to contact the weather service to determine the potential snow falls for the installation area or consult the local building code for a recommended design load.

Usually cable trays are installed within structures such that the structure and equipment shelter the cable trays from the direct impact of high winds. If wind loading is a potential problem, a structural engineer and/or the potential cable tray manufacturer should review the installation for adequacy. To determine the wind speed for proper design consult the Basic Wind Speed Map of the United States in the NESC (Figure 250-2).

For those installations located in earthquake areas, design engineers can obtain behavioral data for Cooper B-Line cable trays under horizontal, vertical and longitudinal loading conditions. Testing done for nuclear power plants in the 1970's indicates that cable trays act like large trusses when loaded laterally and are actually stronger than when loaded vertically. Cable tray supports may still need to be seismically braced and designers should consult the Cooper B-Line Seismic Restraints Catalog for detailed design information.

The midspan deflection multipliers for all B-Line cable trays are listed in the Cable Tray Systems catalog. Simply pick your support span and multiply your actual load by the deflection multiplier shown for that span. The calculated deflections are for simple beam installations at your specified load capacity. If a deflection requirement will be specified, extra care needs to be taken to ensure that it does not conflict with the load requirement and provides the aesthetics necessary. Keep in mind that continuous beam applications are more common and will decrease the deflection values shown by up to 50%. Also, aluminum cable trays will deflect 3 times more than steel cable trays of the same NEMA class.

To complete the design, the standard straight section length and minimum bend radius must be chosen. When selecting the recommended length of straight sections, be sure that the standard length is greater

than or equal to the maximum support span. Choose a fitting radius which will not only meet or exceed the minimum bend radius of the cables but will facilitate cable installation.

[See pages 389 - 391 for more information on selecting the appropriate cable tray length]

392.5. Construction Specifications. (B) Smooth Edges.

This is a quality statement for cable tray systems and their construction. Cooper B-Line cable tray is designed and manufactured to the highest standards to provide easy, safe installation of both the cable tray and cables.

392.5. Construction Specifications. (C) Corrosion Protection.

Cable tray shall be protected from corrosion per Section 300.6, which lists some minimum criteria for different corrosive environments. The Cooper B-Line Cable Tray Catalog contains a corrosion chart for cable tray materials. Cable trays may be obtained in a wide range of materials including aluminum, pregalvanized steel, hot dipped galvanized steel (after fabrication), Type 304 or 316 stainless steel, polyvinyl chloride (PVC) or epoxy coated aluminum or steel and also nonmetallic (fiber reinforced plastic). Check with a metallurgist to determine which metals and coatings are compatible with a particular corrosive environment. B-Line has corrosion information available and may be able to recommend a suitable material. Remember that no material is totally impervious to corrosion. Stainless steel can deteriorate when attacked by certain chemicals and nonmetallic cable trays can deteriorate when attacked by certain solvents.

392.5. Construction Specifications. (D) Side Rails.

The technical information in Article 392 was originally developed for cable trays with rigid side rails by the 1973 **NEC**[®] Technical Subcommittee on Cable Tray. "Equivalent Structural Members" was added later to incorporate new styles of cable tray such as center rail type tray and 'mesh' or wire basket tray.

392.5. Construction Specifications. (E) Fittings.

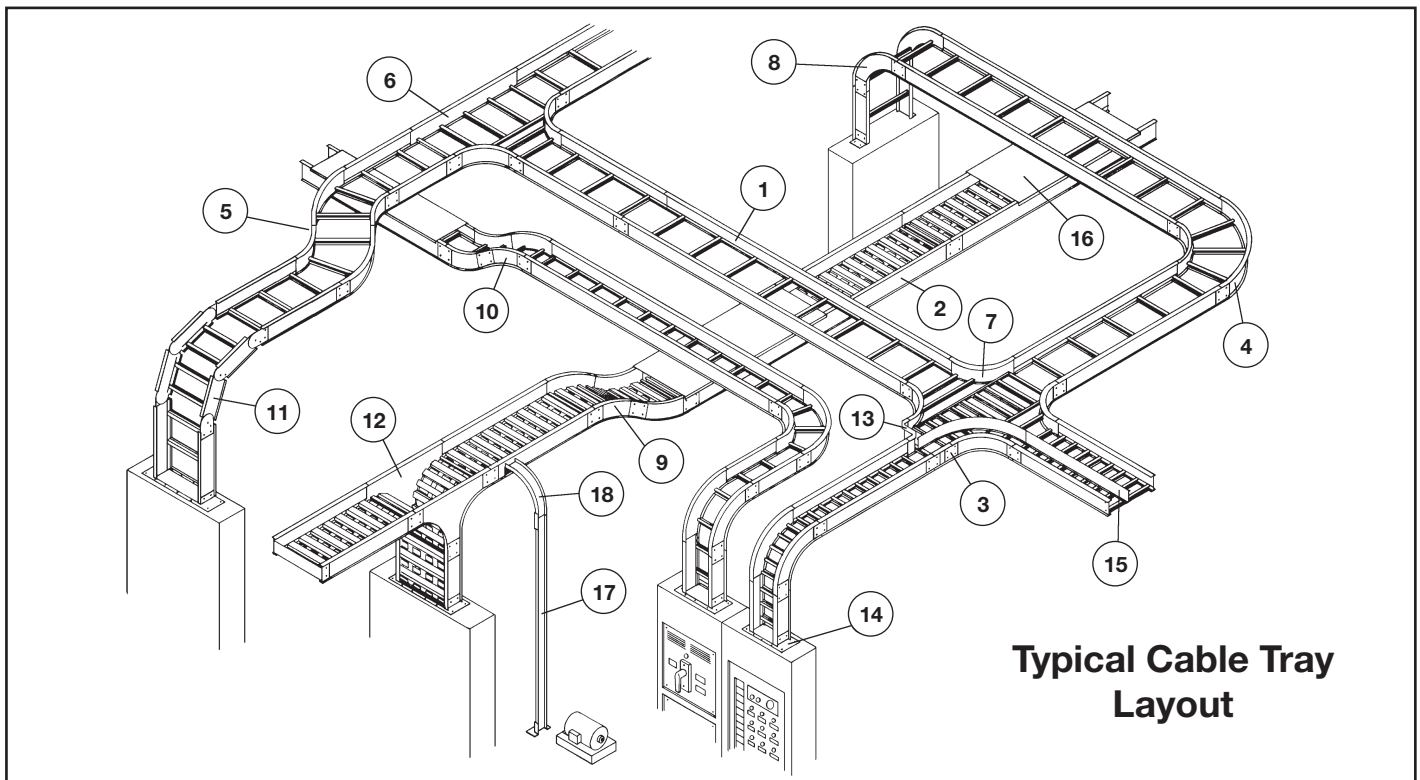
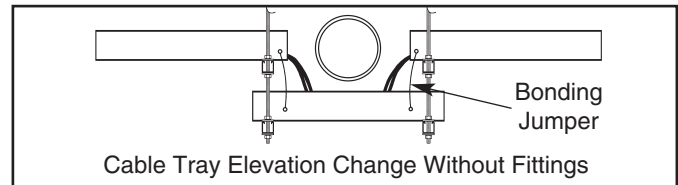
This section has been misinterpreted to mean that cable tray fittings must be used for all changes in direction and elevation [See Section 392.6(A) Complete system for further explanation). When two cable tray runs cross at different elevations, lacing a cable between the rungs of one tray and dropping into the other is a common practice which changes the direction of the cable while providing adequate cable support. Although the use of cable tray fittings is not mandatory, it is often desirable to use them when possible to improve the appearance of the installation.

392.5. Construction Specifications. (F) Nonmetallic Cable Tray.

This type of cable tray is usually made of Fiberglass Reinforced Plastic (FRP). Applications for FRP cable tray systems include some corrosive atmospheres and where non-conductive material is required. Cooper B-Line fiberglass cable tray systems are manufactured from glass fiber reinforced plastic shapes that meet ASTM flammability and self-extinguishing requirements. A surface veil is applied during pultrusion to ensure a resin rich surface and increase ultraviolet resistance, however, for extended exposure to direct sunlight, additional measures, such as painting the tray, are sometimes employed to insure the longevity of the product. Ambient temperature is also a design consideration when FRP cable tray is used. An ambient temperature of 100°F will decrease the loading capacity of polyester resin fiberglass cable tray by 10%.

392.6. Installation. (A) Complete System.

This section states that cable tray systems can have mechanically discontinuous segments, and that the mechanically discontinuous segment cannot be greater than 6 feet. A bonding jumper sized per Section 250.102 is necessary to connect across any discontinuous segment. The bonding of the system should be in compliance with Section 250.96.



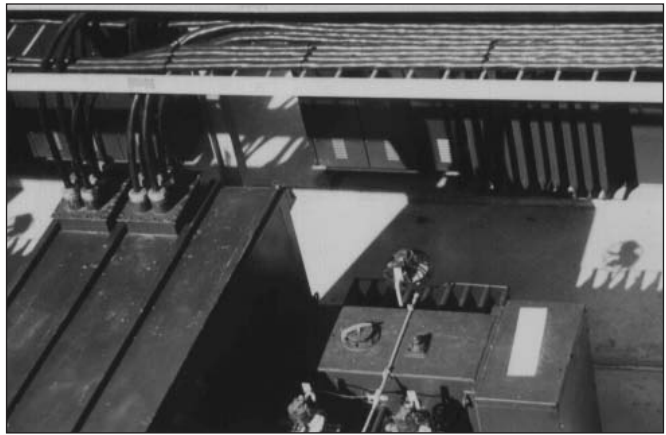
Typical Cable Tray Layout

Nomenclature

- | | |
|--|--|
| 1. Ladder Type Cable Tray | 10. 30° Vertical Inside Bend, Ladder Type Tray |
| 2. Ventilated Trough Type Cable Tray | 11. Vertical Bend Segment (VBS) |
| 3. Splice Plate | 12. Vertical Tee Down, Ventilated Trough Type Tray |
| 4. 90° Horizontal Bend, Ladder Type Tray | 13. Left Hand Reducer, Ladder Type Tray |
| 5. 45° Horizontal Bend, Ladder Type Tray | 14. Frame Type Box Connector |
| 6. Horizontal Tee, Ladder Type Tray | 15. Barrier Strip Straight Section |
| 7. Horizontal Cross, Ladder Type Tray | 16. Solid Flanged Tray Cover |
| 8. 90° Vertical Outside Bend, Ladder Type Tray | 17. Cable Channel Straight Section, Ventilated |
| 9. 45° Vertical Outside Bend, Ventilated Type Tray | 18. Cable Channel, 90° Vertical Outside Bend |

There are some designers, engineers, and inspectors that do not think that cable tray is a mechanical support system just as strut is a mechanical support system. Cable tray is not a raceway in the **NEC**[®] but some designers, engineers, and inspectors attempt to apply the requirements for raceway wiring systems to cable tray wiring systems even when they are not applicable. Cable tray wiring systems have been used by American industry for over 35 years with outstanding safety and continuity of service records. The safety service record of cable tray wiring systems in industrial facilities has been significantly better than those of conduit wiring systems. There have been industrial fires and explosions that have occurred as a direct result of the wiring system being a conduit wiring system. In these cases, cable tray wiring systems would not have provided the fires and explosions that the conduit systems did by providing an explosion gas flow path to the ignition source even though the conduit systems contained seals.

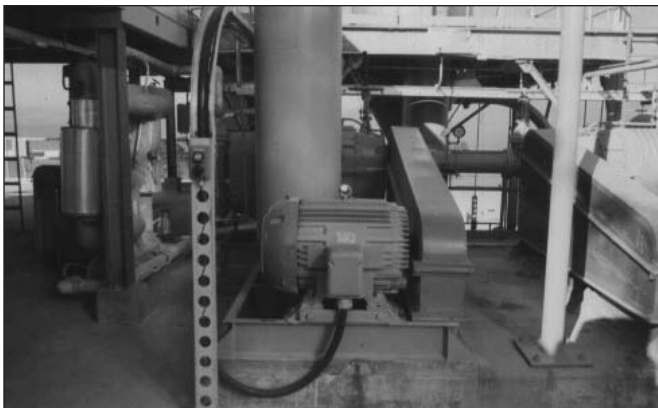
The most significant part of this section is that the metallic cable tray system must have electrical continuity over its entire length and that the support for the cables must be maintained. These requirements can be adequately met even though there will be installation conditions where the cable tray is mechanically discontinuous, such as at a firewall penetration, at an expansion gap in a long straight cable tray run, where there is a change in elevation of a few feet between two horizontal cable tray sections of the same run, or where the cables drop from an overhead cable tray to enter equipment. In all these cases, adequate bonding jumpers must be used to bridge the mechanical discontinuity.



Cables Exiting 480 Volt Outdoor Switchgear and Entering Cable Tray System (Cable fittings with clamping glands are required to prevent moisture flow into equipment due to the cable's overhead entry into the switchgear enclosure).



Cables Entering and Exiting Motor Control Centers from Cable Tray Systems.



Control Cable Entering Pushbutton and Power Cable Entering Motor Terminal Box from 6 Inch Channel Cable Tray System (Bottom entries provide drip loops to prevent moisture flow into enclosures.)

392.6. Installation. (B) Completed Before Installation.

This means that the final cable tray system must be in place before the cables are installed. It does not mean that the cable tray must be 100% mechanically continuous. The electrical bonding of the metallic cable tray system must be complete before any of the circuits in the cable tray system are energized whether the cable tray system is being utilized as the equipment grounding conductor in qualifying installations or if the bonding is being done to satisfy the requirements of Section 250.96.

392.6. Installation. (C) Supports.

The intent of this section is to ensure that the conductor insulation and cable jackets will not be damaged due to stress caused by improper support. Multiconductor 600 volt Type TC cables and 300 volt

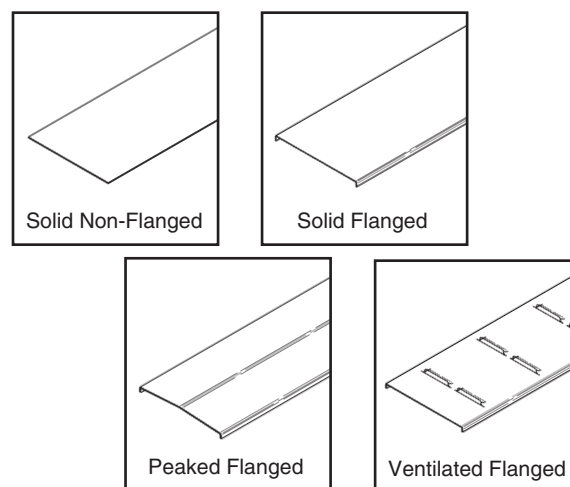
Type PLTC cables exhibit a high degree of damage resistance when exposed to mechanical abuse at normal temperatures.

During an inspection of industrial installations by the 1973 **NEC**® Technical Subcommittee on Cable Tray, a test setup was constructed of an 18 inch wide Class 20C aluminum cable tray supported three feet above ground level containing several sizes of multiconductor cables. This installation was continuously struck in the same area with eight pound sledge hammers until the cable tray was severely distorted, the cables however, exhibited only cosmetic damage. When these cables were tested electrically, they checked out as new tray cable. Since that time, significant improvements have been made in cable jacket and conductor insulation materials so that the cables available today are of better quality than the 1973 test cables. Although tray cables are capable of taking a great deal of abuse without any problems, cable tray installations must be designed by taking appropriate measures to ensure that the tray cables will not be subjected to mechanical damage.

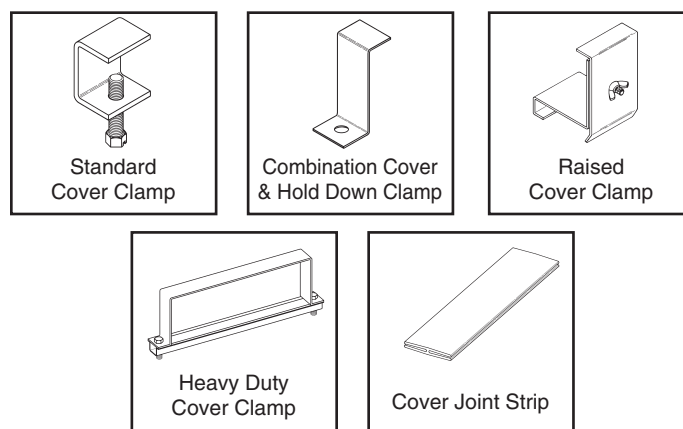
392.6. Installation. (D) Covers.

Cable tray covers provide protection for cables where cable trays are subject to mechanical damage. The most serious hazard to cable in cable trays is when the cables are exposed to significant amounts of hot metal spatter during construction or maintenance from torch cutting of metal and welding activities. For these exposure areas, the cable tray should be temporarily covered with plywood sheets. If such exposure is to be a frequent occurrence, cable tray covers should be installed in the potential exposure areas. Where cable trays contain power and lighting conductors, raised or ventilated covers are preferable to solid covers since the raised or ventilated covers allow the cable heat to be vented from the cable tray.

When covers are installed outdoors, they should be attached to the cable trays with heavy duty wrap around clamps instead of standard duty clips. During high winds, the light duty clips are not capable of restraining the covers. Outdoor cover installations should be overlapped at expansion joint locations to eliminate cover buckling. Covers which fly off the cable tray create a serious hazard to personnel, as was the case at a Texas gulf coast chemical plant where operators would not leave their control room because hurricane force winds had stripped many light gauge stainless steel covers off a large cable tray system. These sharp edged metal covers were flying through the air all during the high wind period, posing a serious threat to the worker's safety.



Types of Cable Tray Covers.



Aluminum Cable Tray Cover Accessories -
Equivalent Items are available for Steel Cable Trays.

392.6. Installation. (E) Multiconductor Cables Rated 600 Volts or Less.

Cables containing 300 or 600 volt insulated conductors may be installed intermingled in the same cable tray which is different from the requirements for raceways. This is a reasonable arrangement because a person may safely touch a 300 or 600 volt cable which is in good condition, so having the cables come into contact with each other is not a problem either. Many cable tray users separate the instrumentation cables from the power and control cables by installing them in separate cable trays or by installing barriers in the cable trays. Often, because of the volume of the instrumentation cable, using separate cable trays is the most desirable installation practice.

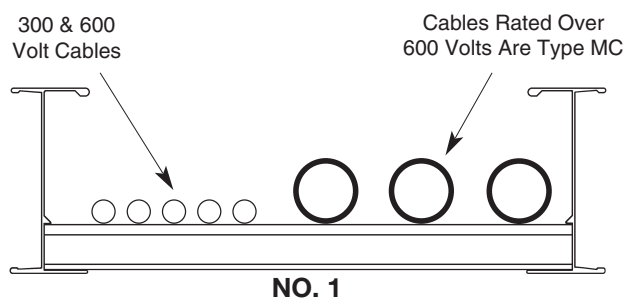
Numerous cable tray systems have been installed where the instrumentation cables and branch circuit cables are installed in the same cable trays with and without barriers with excellent performance and reliability. Most problems that occur involving

instrumentation circuits are due to improper grounding practices. For analog and digital instrumentation circuits, good quality twisted pair Type ITC and Type PLTC cables with a cable shield and a shield drain wire should be used. Do not purchase this type of cable on price alone, it should be purchased because of its high quality. Engineers specifying cables should be knowledgeable of the cable's technical details in order to design systems which will provide trouble free operation.

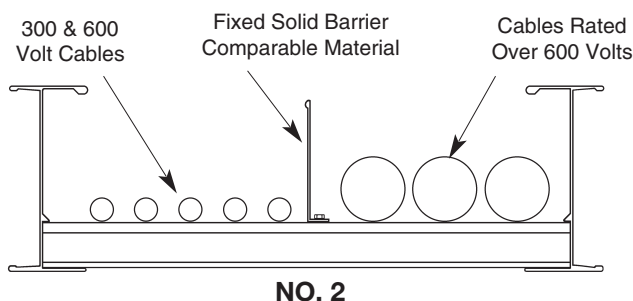
392.6. Installation. (F) Cables Over 600 Volts.

Cables with insulation rated 600 volts or less may be installed with cables rated over 600 volts if either of the following provisions are met.

No. 1: Where the cables over 600 volts are Type MC.



No. 2: Where separated with a fixed solid barrier of a material compatible with the cable tray.

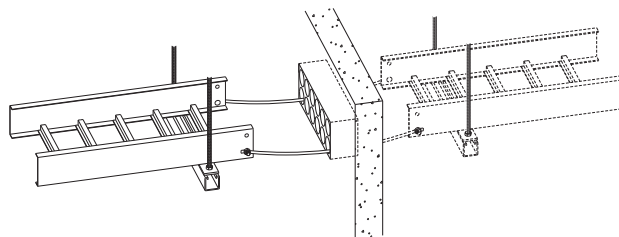


392.6. Installation. (G) Through Partitions and Walls.

Whether penetrating fire rated walls with tray cable only or cable tray and tray cable, the designer should review with the local building inspector the method he proposes to use to maintain the fire rating integrity of the wall at the penetration. Many methods for sealing fire wall penetrations are available, including bag or pillow, caulk, cementitious, foam, putty and mechanical barrier systems.

Many designers prefer to run only the tray cable through fire rated walls. Sealing around the cables is easier than sealing around the cables and the cable tray.

Also, should the cable tray or its supports become damaged, the tray will not exert forces which could



damage the wall or the penetration.

392.6. Installation. (H) Exposed and Accessible.

Article 100 - Definitions.

Exposed: (as applied to wiring methods) on or attached to the surface or behind panels designed to allow access.

Accessible: (As applied to wiring methods) Capable of being removed or exposed without damaging the building structure or finish, or not permanently closed in by the structure or finish of the building.

Reprinted with permission from NFPA 70-1999, the National Electrical Code®, Copyright© 1998, National Fire Protection Association, Quincy, MA 02269. This reprinted material is not the complete and official position of the National Fire Protection Association, on the referenced subject which is represented only by the standard in its entirety.

392.6. Installation. (I) Adequate Access.

Cable tray wiring systems should be designed and installed with adequate room around the cable tray to allow for the set up of cable pulling equipment. Also, space around the cable tray provides easy access for installation of additional cables or the removal of surplus cables. Where cable trays are mounted one above the other, a good rule to follow is to allow 12 to 18 inches between the underside and the top of adjacent cable trays or between the structure's ceiling and the top of the cable tray.

392.6. Installation. (J) Conduits and Cables Supported from Cable Tray.

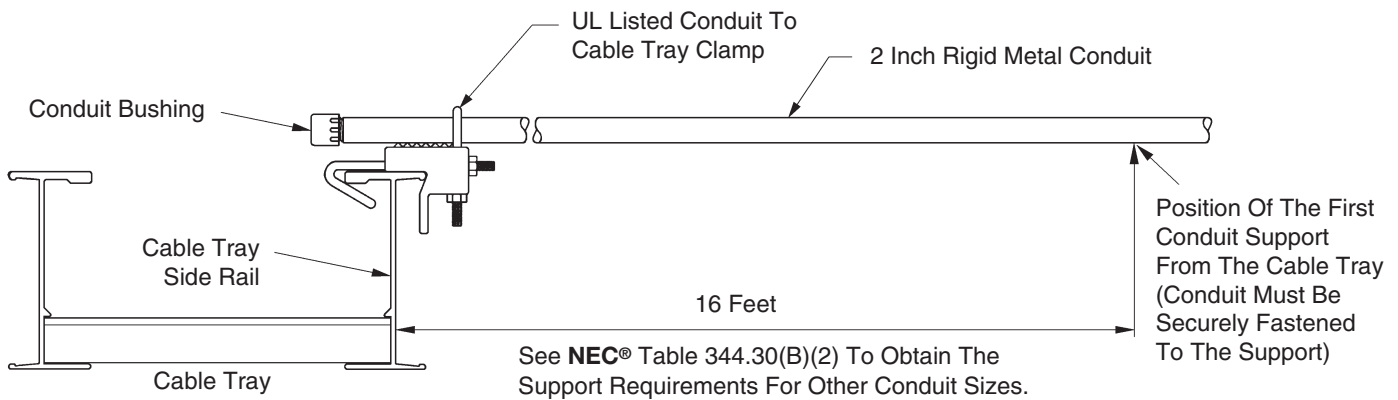
For the 1996 NEC®, a significant change was made in this section. The installations covered in this section may now only be made in qualifying industrial facilities.

In Section 392.6(J) of the 1993 **NEC**[®], cable tray installations that supplied support for conduits were not restricted to qualifying industrial facilities. The 1996 **NEC**[®], Section 392.6(J) text restricts the use of such installations even though there is no documented history of problems in non-industrial installations.

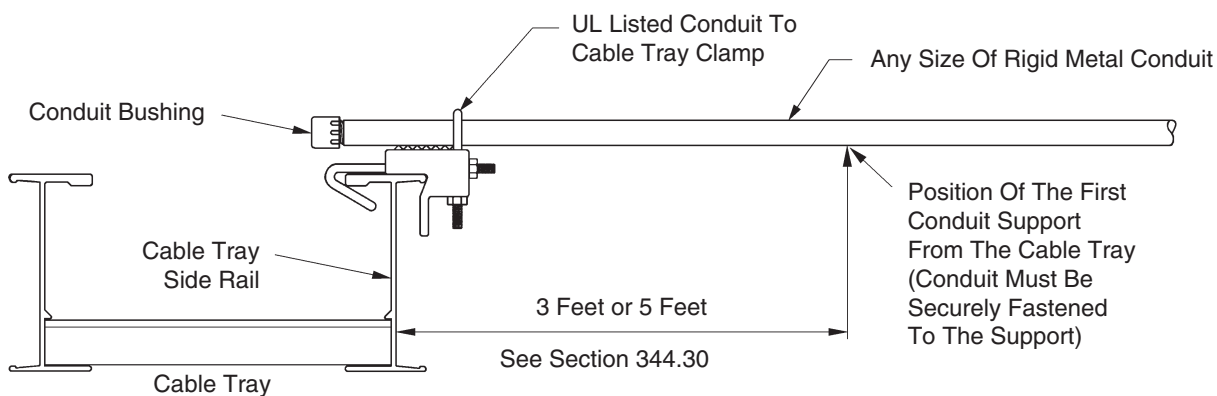
As a result of the change in this section, identical functional installations in non-qualifying installations (commercial and industrial) and qualifying industrial installations have different physical requirements. In a qualifying industrial installation, a conduit terminated on a cable tray may be supported from the cable tray. In a commercial or non-qualifying industrial installation, the conduit that is terminated on the cable tray must be securely fastened to a support that is within 3 feet of the cable tray or securely fastened to a support that is within 5 feet of the cable tray where structural members don't readily permit a secure fastening within 3 feet. The conduit of the non-qualifying installation still needs to be bonded to the cable tray. A fitting may be used for this bonding even though it will not count as a mechanical support.

Over 99 percent of the conduits supported on cable trays are the result of conduits being terminated on the cable tray side rails [See Section 392.8(C)]. For over 40 years, it has been common practice to house the cables exiting the cable tray in conduits or cable channel where the distance from the cable tray system to the cable terminations requires the cable be supported. Several manufacturers supply UL approved cable tray to conduit clamps such as the Cooper B-Line 9ZN-1158.

In addition to conduit and cables being supported from cable tray; industrial companies have been mounting instrumentation devices, push buttons, etc. on cable tray and cable channel for over 40 years. This section once lead some to believe that only conduit or cables may be supported from cable trays which is not correct as cable tray is a mechanical support just as strut is a mechanical support. Because of this, the wording in Section 392.6(J) of the 2002 **NEC**[®] was changed. Instead of allowing only cable and conduit to be supported from cable tray, the code now states that **raceways, cables, boxes and conduit bodies** are now permitted to be supported from the cable tray. Where boxes or conduit bodies are attached to the bottom or side of the cable tray, they must be fastened and supported in accordance with Section 314.23.



**Conduit Terminated On And Supported By The Cable Tray Side Rail.
Installation For Qualifying Industrial Facilities As Per 392.6(J).**



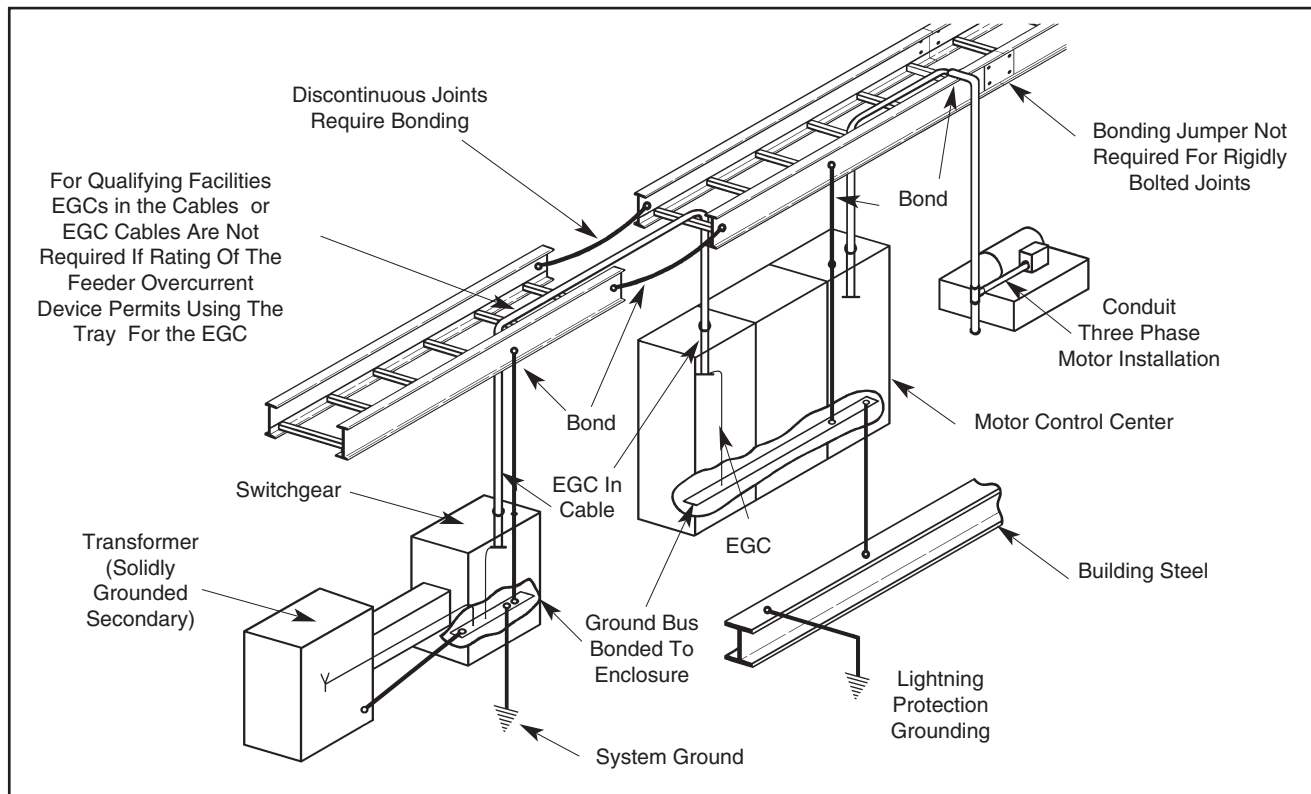
**Conduit Terminated On The Cable Tray Side Rail.
Installation For Commercial And Non-Qualifying Industrial Facilities As Per 392.6(J).**

392.7. Grounding. (A) Metallic Cable Trays.

All metallic cable trays shall be grounded as required in Article 250.96 regardless of whether or not the cable tray is being used as an equipment grounding conductor (EGC).

The EGC is the most important conductor in an electrical system as its function is electrical safety.

There are three wiring options for providing an EGC in a cable tray wiring system: (1) An EGC conductor in or on the cable tray. (2) Each multiconductor cable with its individual EGC conductor. (3) The cable tray itself is used as the EGC in qualifying facilities.



Correct Bonding Practices To Assure That The Cable Tray System Is Properly Grounded

If an EGC cable is installed in or on a cable tray, it should be bonded to each or alternate cable tray sections via grounding clamps (this is not required by the **NEC**[®] but it is a desirable practice). In addition to providing an electrical connection between the cable tray sections and the EGC, the grounding clamp mechanically anchors the EGC to the cable tray so that under fault current conditions the magnetic forces do not throw the EGC out of the cable tray.

A bare copper equipment grounding conductor should not be placed in an aluminum cable tray due to the potential for electrolytic corrosion of the aluminum cable tray in a moist environment. For such installations, it is best to use an insulated conductor and to remove the insulation where bonding connections are made to the cable tray, raceways, equipment enclosures, etc. with tin or zinc plated connectors.

See Table 250.122 on page 425 for the minimum size EGC for grounding raceway and equipment.

392.7. Grounding. (B) Steel or Aluminum Cable Tray Systems. (1) & (2)

Table 392.7(B).

Metal Area Requirements for Cable Trays Used as Equipment Grounding Conductors

| Maximum Fuse Ampere Rating, Circuit Breaker Ampere Trip Setting, or Circuit Breaker Protective Relay Ampere Trip Setting for Ground-Fault Protection of Any Cable Circuit In the Cable Tray System | Minimum Cross-Sectional Area of Metal* In Square Inches | |
|--|---|----------------------|
| | Steel Cable Trays | Aluminum Cable Trays |
| 60 | 0.20 | 0.20 |
| 100 | 0.40 | 0.20 |
| 200 | 0.70 | 0.20 |
| 400 | 1.00 | 0.40 |
| 600 | 1.50** | 0.40 |
| 1000 | --- | 0.60 |
| 1200 | --- | 1.00 |
| 1600 | --- | 1.50 |
| 2000 | --- | 2.00** |

For SI units: one square inch = 645 square millimeters.

*Total cross-sectional area of both side rails for ladder or trough cable trays; or the minimum cross-sectional area of metal in channel cable trays or cable trays of one-piece construction.

**Steel cable trays shall not be used as equipment grounding conductors for circuits with ground-fault protection above 600 amperes. Aluminum cable trays shall not be used as equipment grounding conductors for circuits with ground-fault protection above 2000 amperes.

Reprinted with permission from NFPA 70-1999, the National Electrical Code®, Copyright© 1998, National Fire Protection Association, Quincy, MA 02269. This reprinted material is not the complete and official position of the National Fire Protection Association, on the referenced subject which is represented only by the standard in its entirety.

Table 392.7(B) "Metal Area Requirements for Cable Trays used as Equipment Grounding Conductors" shows the minimum cross-sectional area of cable tray side rails (total of both side rails) required for the cable tray to be used as the Equipment Grounding Conductor (EGC) for a specific Fuse Rating, Circuit Breaker Ampere Trip Rating or Circuit Breaker Ground Fault Protective Relay Trip Setting. These are the actual trip settings for the circuit breakers and not the maximum permissible trip settings which in many cases are the same as the circuit breaker frame size. If the maximum ampere rating of the cable tray is not sufficient for the protective device to be used, the cable tray cannot be used as the EGC and a separate EGC must be included within each cable assembly or a separate EGC has to be installed in or attached to the cable tray. [See also Section 250-120 for additional information]

The subject of using cable tray for equipment grounding conductors was thoroughly investigated by the 1973 **NEC**® Technical Subcommittee on Cable Tray. Many calculations were made and a number of tests were performed by Monsanto Company Engineers at the Bussman High Current Laboratory. The test setup

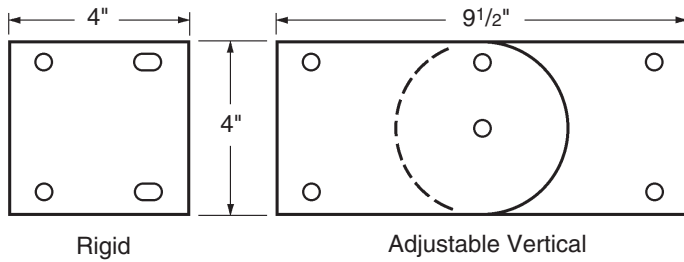
to verify the capability of cable tray to be used as the EGC is shown in Figure 1 on page 406. The test amperes available were forced through one cable tray side rail which had three splice connections in series. No conductive joint compound was used at the connections and the bolts were wrench tight. Copper jumper cables were used from the current source to the cable tray. The cable tray was NEMA Class 12B. The test results are shown on Page 419 (Appendix Sheet 1), Table I for aluminum and Table II for steel cable tray.

One of the most interesting results of the tests was for an aluminum cable tray with a corroded joint and only two nylon bolts. 34,600 amperes for 14 cycles produced only a 34° C temperature rise at the splice plate area. If the protective devices work properly, the temperature rises recorded at the cable tray splices during these tests would not be sufficient to damage the cables in the cable tray. Also note that in these tests only one side rail was used, but in a regular installation, both side rails would conduct fault current and the temperature rise at the splice plate areas would be even lower.

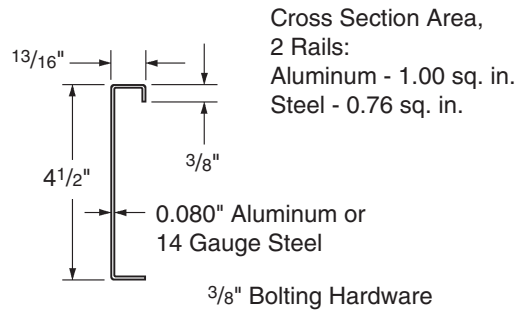
When the cable tray is used as the EGC, consideration has to be given to the conduit or ventilated channel cable tray connections to the cable tray so that the electrical grounding continuity is maintained from the cable tray to the equipment utilizing the electricity. Conduit connections to the cable tray were also tested. At that time, no commercial fittings for connecting conduit to cable tray were available, so right angle beam clamps were used with very good results. There are now UL Listed fittings for connecting and bonding conduit to cable tray. This test setup and results are shown on page 420 (Appendix Sheet 2).

Temperature Rise Test

Material Thickness: 0.125" Aluminum or 14 Gauge Steel



Cable Tray Connectors



Cross Section Cable Tray Side Rail

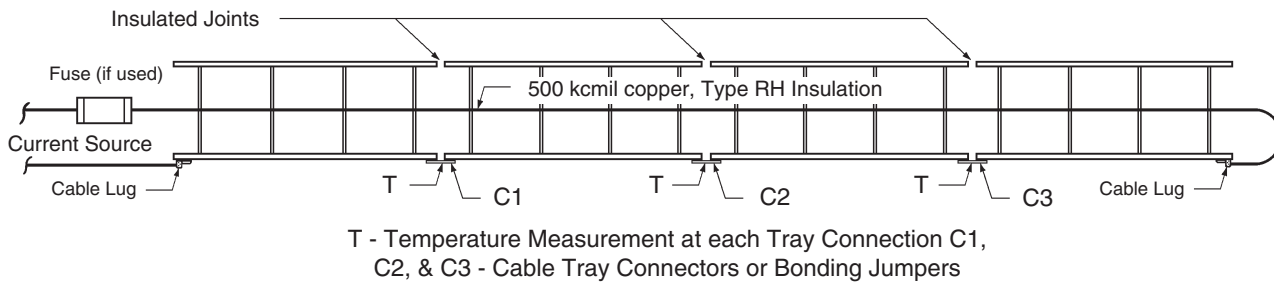


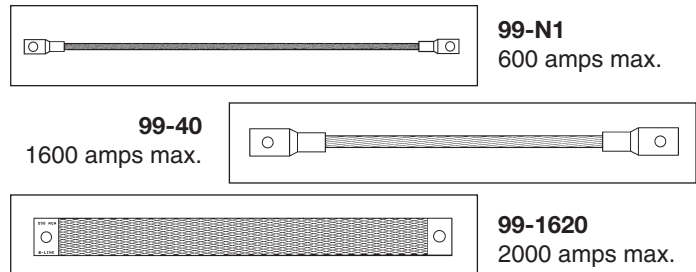
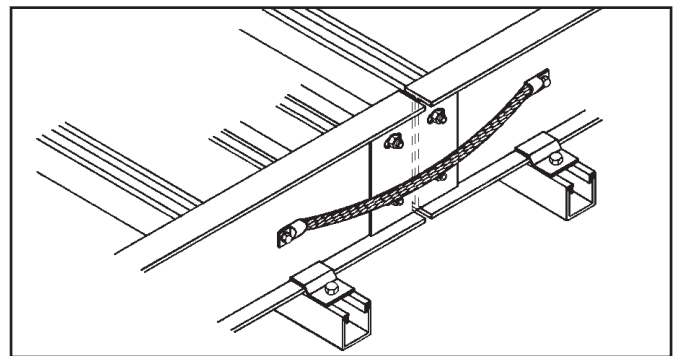
Figure 1
(See Page 419 Appendix Sheet 1)

392.7. Grounding. (B) Steel or Aluminum Cable Tray Systems. (3) & (4)

For a cable tray to be used as an EGC the manufacturer must provide a label showing the cross-sectional area available. This also holds true for some mechanically constructed cable tray systems such as Redi-Rail®. Redi-Rail has been tested and UL Classified as an EGC. Cooper B-Line's label is shown at the top of page 407.






The cable tray system must be electrically continuous whether or not it is going to serve as the EGC. At certain locations (expansion joints, discontinuities, most horizontal adjustable splice plates, etc.), bonding jumpers will be required. Section 250.96. Bonding Other Enclosures states that cable tray shall be effectively bonded where necessary to assure electrical continuity and to provide the capacity to conduct safely any fault current likely to be imposed on them (also see Sections 250.92(A)(1) & 250.118(12)).

It is not necessary to install bonding jumpers at standard splice plate connections. The splice connection is UL classified as an EGC component of the cable tray system.



NOTE: The **NEC**® only recognizes aluminum and steel cable trays as EGC's. As with all metallic cable trays, stainless steel cable trays must be bonded according to **NEC**® guidelines. Fiberglass cable trays do not require bonding jumpers since fiberglass is non-conductive.

Cable Tray Label

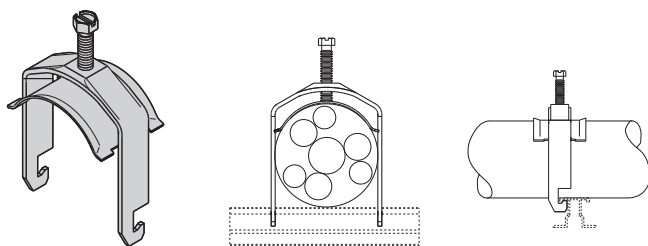
| | | |
|---|--|--|
| <h1>WARNING!</h1> <p>Do Not Use As A Walkway, Ladder, Or Support For Personnel.</p>  | |  <p>3078101154005</p> |
| <p>Use Only As A Mechanical Support For Cables, Tubing and Raceways.</p> | | |
| <p>Catalog Number: 24A09-12-144 STR SECTION Shipping Ticket: 260203 00 001 Mark Number: 78101115400 Purchase Order: D798981 Minimum Area: 1.000 SQ. IN. Load Class: D1 179 KG/M 3 METER SPAN</p> | <p>1 of 1 09/15/2005 000291745</p> | <p>COOPER B-Line www.cooperbline.com (618) 654-2184</p> |
|  <p>This product is classified by Underwriters Laboratories, Inc. as to its suitability as an equipment grounding conductor only. 556E</p> |  <p>NON-VENTILATED Reference File #LR36026</p> |  |

392.8. Cable Installation. (A) Cable Splices.

There is no safety problem due to cable splices being made in cable trays if quality splicing kits are used, provided that the splice kits do not project above the siderails and that they are accessible. A box or fitting is not required for a cable splice in a cable tray.

392.8. Cable Installation. (B) Fastened Securely.

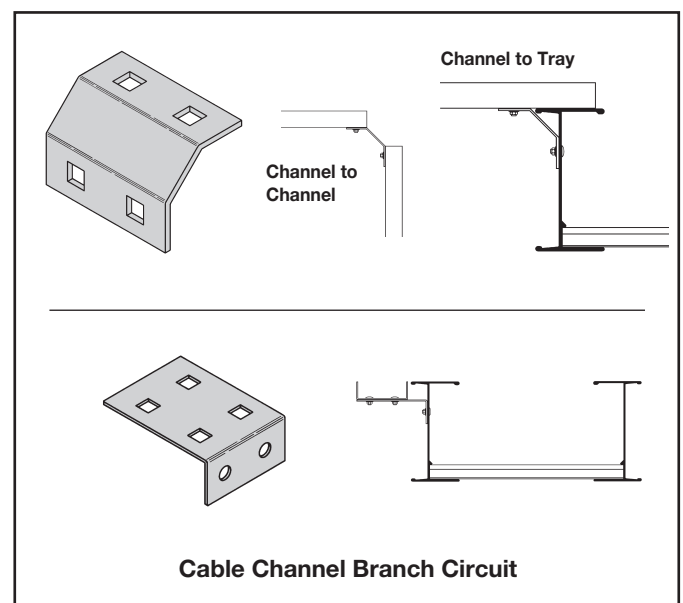
In seismic, high-shock and vibration prone areas, cables (especially unarmored cables) should be secured to the cable tray at 1 to 2 foot intervals to prevent the occurrence of sheath chafing. Otherwise, there is no safety or technical reason to tie down multiconductor cables in horizontal cable tray runs unless the cable spacing needs to be maintained or the cables need to be confined to a specific location in the cable tray. In non-horizontal cable tray runs, small multiconductor cables should be tied down at 3 or 4 foot intervals and larger (1 inch diameter and above) Type MC and Type TC multiconductor cable should be tied down at 6 foot intervals. If used outdoors, plastic ties should be sunlight, ultraviolet (UV), resistant and be made of a material that is compatible with the industrial environment. Installed outdoors, white nylon plastic ties without a UV resistant additive will last 8 to 14 months before breaking. Also available for these applications are cable cleats, stainless steel ties and P-clamps.



(P-Clamp shown installed on industrial aluminum rung)

392.8. Cable installation. (C) Bushed Conduit and Tubing.

For most installations, using a conduit to cable tray clamp for terminating conduit on cable tray is the best method. Where a cable enters a conduit from the cable tray, the conduit must have a bushing to protect the cable jacket from mechanical damage; a box is not required [See Section 300.15(C). Boxes, Conduit Bodies, or Fittings - Where Required. Where cables enter or exit from conduit or tubing that is used to provide cable support or protection against physical damage. A fitting shall be provided on the end(s) of the conduit or tubing to protect the wires or cables from abrasion.]. There are some special installations where the use of conduit knockouts in the cable tray side rail for terminating conduit is appropriate. This would not be a good standard practice because it is costly and labor intensive, and if randomly used may result in damaging and lowering the strength of the cable tray.



392.8. Cable Installation. (D) Connected in Parallel.

Section 310.4. Conductors in Parallel. States the following:

The paralleled conductors in each phase, neutral or grounded conductor shall:

- (1) Be the same length.
- (2) Have the same conductor material.
- (3) Be the same size in circular mil area.
- (4) Have the same insulation type.
- (5) Be terminated in the same manner.

Where run in separate raceways or cables, the raceways or cables shall have the same physical characteristics. Conductors of one phase, neutral, or grounded circuit shall not be required to have the same physical characteristics as those of another phase, neutral, or grounded circuit conductor to achieve balance.

A difference between parallel conductors in raceways and those in cable trays is that the conductors in the cable tray are not derated unless there are more than three current carrying conductors in a cable assembly [as per Exception No.2 of Section 310.15(B)(2)(a) and Section 392.11(A)(1)]. Where the single conductor cables are bundled together as per Section 392.8(D) and if there are neutrals that are carrying currents due to the type of load involved (harmonic currents) it may be prudent to derate the bundled single conductor cables.

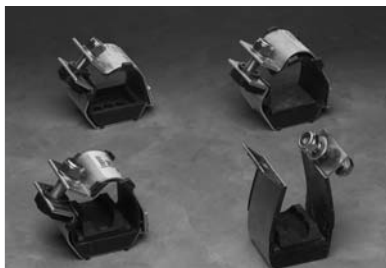
The high amperages flowing under fault conditions in 1/0 and larger cables produce strong magnetic fields which result in the conductors repelling each other until the circuit protective device either de-energizes the circuit or the circuit explodes. Under such fault conditions, the cables thrash violently and might even be forced out of the cable tray. This happened at a northern Florida textile plant where several hundred feet of Type MV single conductor cable was forced out of a cable tray run by an electrical fault because the cables were not restrained properly. This potential safety threat is precisely why Article 392.8 (D) requires single conductor cables be securely bound in circuit groups to prevent excessive movement due to fault-current magnetic forces. For a three-phase trefoil or triangular arrangement (the most common single conductor application), these forces can be calculated according to the formula:

$$F_t = (0.17 \times i_p^2) / S.$$

F_t = Maximum Force on Conductor (Newtons/meter)

i_p = Peak Short Circuit Current (kilo-Amperes)

S = Spacing between Conductors (meters) = Cable Outside Diameter for Triplex (trefoil) Installations.



One technique to prevent excessive movement of cables is to employ fault-rated cable cleats.

To maintain the minimum distance between conductors, the single conductor cables should be securely bound in circuit groups using fault rated cable cleats. If the cleat spacing is properly chosen according to the available fault-current, the resulting cable grouping will inherently maintain a minimum distance between conductors. These circuit groups provide the lowest possible circuit reactance which is a factor in determining the current balance among various circuit groups.

For installations that involve phase conductors of three conductor or single conductor cables installed in parallel, cable tray installations have conductor cost savings advantages over conduit wiring systems. This is because the conductors required for a cable tray wiring system are often a smaller size than those required for a conduit wiring system for the same circuit. No paralleled conductor ampacity adjustment is required for single conductor or three conductor cables in cable trays [See NEC® Section 392.11(A)].

There were changes in the 1993 NEC® and 1996 NEC® for installations where an equipment grounding conductor is included in a multiconductor cable: the equipment grounding conductor must be fully rated per Section 250.122. If multiconductor cables with internal equipment grounding conductors are paralleled, each multiconductor cable must have a fully rated equipment grounding conductor.

Section 250.122 now prohibits the use of standard three conductor cables with standard size EGCs when they are installed in parallel and the EGCs are paralleled. There have been no safety or technical problems due to operating standard three conductor cables with standard sized EGCs in parallel. This has been a standard industrial practice for over 40 years with large numbers of such installations in service. This change was made without any safety or technical facts to justify this change.

To comply with Section 250.122, Three options are available: 1. Order special cables with increased sized EGCs which increases the cost and the delivery time. 2. Use three conductor cables without EGCs and install a single conductor EGC in the cable tray or use the cable tray as the EGC in qualifying installations. 3. Use standard cables but don't utilize their EGCs, use a single conductor EGC or the cable tray as the EGC in qualifying installations.

Should industry be required to have special cables fabricated for such installations when there have been absolutely no safety problems for over 40 years? Each designer and engineer must make his own decision on this subject. If the installations are properly designed, quality materials are used, and quality workmanship is obtained, there is no safety reason for not following the past proven practice of paralleling the EGCs of standard three conductor cable.

392.8. Cable Installation. (E) Single Conductors.

This section states that single conductors in ladder or ventilated trough cable tray that are Nos. 1/0 through 4/0, must be installed in a single layer.

In addition to the fill information that is in Section 392.10(A)(4), an exception was added which allows the cables in a circuit group to be bound together rather than have the cables installed in a flat layer. The installation practice in the exception is desirable to help balance the reactance's in the circuit group. This reduces the magnitudes of voltage unbalance in three phase circuits.

Where ladder or ventilated trough cable trays contain multiconductor power or lighting cables, or any mixture of multiconductor power, lighting, control, or signal cables, the maximum number of cables that can be installed in a cable tray are limited to the Table 392.9 allowable fill areas. The cable tray fill areas are related to the cable ampacities. Overfill of the cable tray with the conductors operating at their maximum ampacities will result in cable heat dissipation problems with the possibility of conductor insulation and jacket damage.

Compatibility Of Cable Tray Types And Cable Trays Based On The NEC®

| | 3", 4", & 6" Wide Solid or Ventilating Channel Cable Tray | Solid Bottom Cable Tray | Ventilated Trough Cable Tray | Ladder Cable Tray |
|--|---|-------------------------|------------------------------|-------------------|
| Multiconductor Cables 300 & 600 Volt * | X | X | X | X |
| Single Conductor Cables - 600 Volt * | *** | X | X | X |
| Type MV Multiconductor Cables ** | X | X | | X |
| Type MV Single Conductor Cables ** | X | X | | X |

X - Indicates the Installations Allowed by Article 392

* - For cables rated up to 2000 volts.

** - For cables rated above 2000 volts.

*** - For 1/0 - 4/0 AWG single conductor cables installed in ladder cable tray, maximum rung spacing is 9 inches.

392.9. Number of Multiconductor Cables. Rated 2000 Volts or less, in Cable Trays. (A) Any Mixture of Cables. (1) 4/0 or Larger Cables

The ladder or ventilated trough cable tray must have

an inside usable width equal to or greater than the sum of the diameters (Sd) of the cables to be installed in it. For an example of the procedure to use in selecting a cable tray width for the type of cable covered in this section see page 421 (Appendix Sheet 3), [Example 392.9(A)(1)].

Increasing the cable tray side rail depth increases the strength of the cable tray but the greater side rail depth does not permit an increase in cable fill area for power or lighting cables or combinations of power, lighting, control and signal cables. The maximum allowable fill area for all cable tray with a 3 inch or greater loading depth side rail is limited to the 38.9 percent fill area for a 3 inch loading depth side rail (Example: 3 inches x 6 inches inside cable tray width x 0.389 = 7.0 square inch fill area. This is the first value in Column 1 of Table 392.9. All succeeding values for larger cable tray widths are identically calculated).

392.9. Number of Multiconductor Cables. Rated 2000 Volts or less, in Cable Trays. (A) Any Mixture of Cable. (2) Cables Smaller Than 4/0

The allowable fill areas for the different ladder or ventilated trough cable tray widths are indicated in square inches in Column 1 of Table 392.9. The total sum of the cross-sectional areas of all the cables to be installed in the cable tray must be equal to or less than the cable tray allowable fill area. For an example of the procedure to use in selecting a cable tray width for the type of cable covered in this section see page 422 (Appendix Sheet 4), [Example 392.9(A)(2)].

392.9. Number of Multiconductor Cables. Rated 2000 Volts or less, in Cable Trays. (A) Any Mixture of Cables. (3) 4/0 or Larger Cables Installed With Cables Smaller Than 4/0

The ladder or ventilated trough cable tray needs to be divided into two zones (a barrier or divider is not required but one can be used if desired) so that the No. 4/0 and larger cables have a dedicated zone as they are to be placed in a single layer.

The formula for this type of installation is shown in Column 2 of Table 392.9. This formula is a trial and error method of selecting a cable tray of the proper width. A direct method for determining the cable tray width is available by figuring the cable tray widths that are required for each of the cable combinations and then adding these widths together to select the proper cable tray width. [Sd (sum of the diameters of the No. 4/0 and larger cables)] + [Sum of Total Cross Sectional Area of all Cables No. 3/0 and Smaller] x (6 inches/7 square inches) = The Minimum Width of Cable Tray Required. For an example of the procedure to use in selecting a cable tray width for the type of cable covered in this section, see page 423, (Appendix Sheet 5), [EXAMPLE 392.9(A)(3)].

392.9. Number of Multiconductor Cables. Rated 2000 Volts or less, in Cable Trays. (B) Multiconductor Control and/or Signal Cables Only.

A ladder or ventilated trough cable tray, having a loading depth of 6 inches or less containing only control and/or signal cables, may have 50 percent of its cross-sectional area filled with cable. If the cable tray has a loading depth in excess of 6 inches, that figure cannot be used in calculating the allowable fill area as a 6 inch depth is the maximum value that can be used for the cross-sectional area calculation. For an example of the procedure to use in selecting a cable tray width for the type of cable covered in this section, see page 424 (Appendix Sheet 6), [Example 392.9 (B)].

392.9. Number of Multiconductor Cables, Rated 2000 Volts, Nominal, or Less, in Cable Trays. (C) Solid Bottom Cable Trays Containing Any Mixture.

For solid bottom cable tray, the allowable cable fill area is reduced to approximately 30 percent as indicated by the values in Columns 3 and 4 of Table 392.9. The first value in Column 3 was obtained as follows: 3 in. loading depth x 6 in. inside width x 0.305 = 5.5 square inches. The other values in Column 3 were obtained in a like manner. The Sd term in Column 4 has a multiplier of 1 vs. the multiplier of 1.2 for Column 2.

392.9. Number of Multiconductor Cables, Rated 2000 Volts, Nominal, or Less, in Cable Trays. (C) Solid Bottom Cable Trays Containing any Mixture. (1) 4/0 or Larger Cables

The procedure used in selecting a cable tray width for the type of cable covered in this section is similar to that shown on Appendix Sheet 3 page 421, but only 90 percent of the cable tray width can be used.

392.9. Number of Multiconductor Cables, Rated 2000 Volts, Nominal, or Less, in Cable Trays. (C) Solid Bottom Cable Trays Containing Any Mixture. (2) Cables Smaller Than 4/0

The procedure used in selecting a cable tray width for the type of cable covered in this section is similar to that shown on Appendix Sheet 4 page 422. The maximum allowable cable fill area is in Column 3 of Table 392.9.

392.9. Number of Multiconductor Cables, Rated 2000 Volts, Nominal, or Less, in Cable Trays. (C) Solid Bottom Cable Trays Containing any Mixture. (3) 4/0 or Larger Cables Installed With Cables Smaller Than 4/0

No. 4/0 and larger cables must have a dedicated zone in the tray in order to be installed in one layer.

Therefore the cable tray needs to be divided into two zones (a barrier or divider is not required but one can be used if desired).

The formula for this type of installation is shown in Column 4 of Table 392.9. This formula is a trial and error method of selecting a cable tray of the proper width. A direct method for determining the cable tray width is available by figuring the cable tray widths that are required for each of the cable combinations and then adding these widths together to select the proper cable tray width. $[Sd \text{ (sum of the diameters of the No. 4/0 and larger cables)} \times (1.11)] + [(Sum \text{ of Total Cross-Sectional Area of all Cables No. 3/0 and Smaller}) \times (6 \text{ inches}/5.5 \text{ square inches}) = \text{The Minimum Width of Cable Tray Required}.$ The procedure used in selecting a cable tray width for the type of cables covered in this section is similar to that shown on Appendix Sheet 5 page 423.

392.9. Number of Multiconductor Cables, Rated 2000 Volts, Nominal, or Less, in Cable Trays. (D) Solid Bottom Cable Tray Multiconductor Control and/or Signal Cables Only.

This is the same procedure as for ladder and ventilated trough cable trays except that the allowable fill has been reduced from 50 percent to 40 percent. The procedure used in selecting a cable tray width for the type of cable covered in this section is similar to that shown on Appendix Sheet 6 page 424. [Example 392.9(B)]

392.9. Number of Multiconductor Cables, Rated 2000 Volts, Nominal, or Less in Cable Trays. (E) Ventilating Channel Cable Trays.

392.9(E)(1)

Where only one multiconductor cable is installed in a ventilated channel cable tray.

| Ventilated Channel Cable Tray Size | Maximum Cross-Sectional Area of the Cable |
|------------------------------------|---|
| 3 Inch Wide | 2.3 Square Inches |
| 4 Inch Wide | 4.5 Square Inches |
| 6 Inch Wide | 7.0 Square Inches |

392.9(E)(2)

The fill areas for combinations of multiconductor cables of any type installed in ventilated channel cable tray.

| Ventilated Channel Cable Tray Size | Maximum Allowable Fill Area |
|------------------------------------|-----------------------------|
| 3 Inch Wide | 1.3 Square Inches |
| 4 Inch Wide | 2.5 Square Inches |
| 6 Inch Wide | 3.8 Square Inches |

392.9. Number of Multiconductor Cables, Rated 2000 Volts, Nominal, or Less in Cable Trays. (F) Solid Channel Cable Trays.

392.9(F)(1)

Where only one multiconductor cable is installed in a solid channel cable tray.

| Solid Channel Cable Tray Size | Maximum Cross-Sectional Area of the Cable |
|-------------------------------|---|
| 2 Inch Wide | 1.3 Square Inches |
| 3 Inch Wide | 2.0 Square Inches |
| 4 Inch Wide | 3.7 Square Inches |
| 6 Inch Wide | 5.5 Square Inches |

392.9(F)(2)

The fill areas for combinations of multiconductor cables of any type installed in solid channel cable tray.

| Solid Channel Cable Tray Size | Maximum Allowable Fill Area |
|-------------------------------|-----------------------------|
| 2 Inch Wide | 0.8 Square Inches |
| 3 Inch Wide | 1.1 Square Inches |
| 4 Inch Wide | 2.1 Square Inches |
| 6 Inch Wide | 3.2 Square Inches |

392.10. Number of Single Conductor Cables, Rated 2000 Volts or Less in Cable Trays.

Installation of single conductors in cable tray is restricted to industrial establishments where conditions of maintenance and supervision assure that only qualified persons will service the installed cable tray systems. Single conductor cables for these installations must be 1/0 or larger, and they may not be installed in solid bottom cable trays.

392.10. Number of Single Conductor Cables, Rated 2000 Volts or Less in Cable Trays. (A) Ladder or Ventilated Trough Cable Trays. (1) 1000 KCMIL or Larger Cables

The sum of the diameters (Sd) of all single conductor cables shall not exceed the cable tray width, and the cables shall be installed in a single layer.

392.10. Number of Single Conductor Cables, Rated 2000 Volts or Less, in Cable Trays. (A) Ladder or Ventilated Trough Cable Trays. (2) 250 KCMIL to 1000 KCMIL Cables

Number Of 600 Volt Single Conductor Cables That May Be Installed In Ladder Or Ventilated Trough Cable Tray - Section 392.10(A) (2)

| Single Conductor Size | Dia. In. (Note #1) | Area Sq. In. | Cable Tray Width | | | | | | | | (Note #2) 42 In. |
|-----------------------|--------------------|--------------|------------------|-------|--------|--------|--------|--------|--------|--------|---------------------|
| | | | 6 In. | 9 In. | 12 In. | 18 In. | 24 In. | 30 In. | 36 In. | 42 In. | |
| 1/0 | 0.58 | -- | 10 | 15 | 20 | 31 | 41 | 51 | 62 | 72 | |
| 2/0 | 0.62 | -- | 9 | 14 | 19 | 29 | 38 | 48 | 58 | 67 | |
| 3/0 | 0.68 | -- | 8 | 13 | 17 | 26 | 35 | 44 | 52 | 61 | |
| 4/0 | 0.73 | -- | 8 | 12 | 16 | 24 | 32 | 41 | 49 | 57 | |
| 250 Kcmil | 0.84 | 0.55 | 11 | 18 | 24 | 35 | 47 | 59 | 71 | 82 | |
| 350 Kcmil | 0.94 | 0.69 | 9 | 14 | 19 | 28 | 38 | 47 | 57 | 65 | |
| 500 Kcmil | 1.07 | 0.90 | 7 | 11 | 14 | 22 | 29 | 36 | 43 | 50 | |
| 750 Kcmil | 1.28 | 1.29 | 5 | 8 | 10 | 15 | 20 | 25 | 30 | 35 | |
| 1000 Kcmil | 1.45 | -- | 4 | 6 | 8 | 12 | 16 | 20 | 24 | 28 | |

Notes:

- #1. Cable diameter's used are those for Okonite-Okolon 600 volt single conductor power cables.
- #2. 42 inch wide is ladder cable tray only.
- #3. Such installations are to be made only in qualifying industrial facilities as per Sections 392.3(B) & (B)(1).
- #4. To avoid problems with unbalanced voltages, the cables should be bundled with ties every three feet or four feet. The bundle must contain the circuit's three phase conductors plus the neutral if one is used.
- #5. The single conductor cables should be firmly tied to the cable trays at six foot or less intervals.

392.10. Number of Single Conductor Cables, Rated 2000 Volts or Less in Cable Trays. (A) Ladder or Ventilated Trough Cable Trays. (3) 1000 KCMIL or Larger Cables Installed With Cables Smaller Than 1000 KCMIL.

Such installations are very rare.

392.10. Number of Single Conductor Cables, Rated 2000 Volts or Less in Cable Trays. (A) Ladder or Ventilated Trough Cable Trays. (4) Cables 1/0 Through 4/0

The sum of the diameters (Sd) of all 1/0 through 4/0 cables shall not exceed the inside width of the cable tray.

392.10. Number of Single Conductor Cables, Rated 2000 Volts or Less in Cable Trays. (B) Ventilated Channel Cable Trays.

The sum of the diameters (Sd) of all single conductors shall not exceed the inside width of the ventilated cable channel.

Number Of 600 Volt Single Conductor Cables That May Be Installed In A Ventilated Channel Cable Tray - Section 392.10(B)

| Single Conductor Size | Diameter Inches (Note #1) | 3 Inch V. Channel C.T. | 4 Inch V. Channel C.T. | 6 Inch V. Channel C.T. |
|-----------------------|---------------------------|------------------------|------------------------|------------------------|
| 1/0 AWG | 0.58 | 5 | 6 | 10 |
| 2/0 AWG | 0.62 | 4 | 6 | 9 |
| 3/0 AWG | 0.68 | 4 | 5 | 8 |
| 4/0 AWG | 0.73 | 4 | 5 | 8 |
| 250 Kcmil | 0.84 | 3 | 4 | 7 |
| 350 Kcmil | 0.94 | 3 | 4 | 6 |
| 500 Kcmil | 1.07 | 2 | 3 | 5 |
| 750 Kcmil | 1.28 | 2 | 3 | 4 |
| 1000 Kcmil | 1.45 | 2 | 2 | 4 |

Notes:

- #1. Cable diameter's used are those for Okonite-Okolon 600 volt single conductor power cables.
- #2. Such installations are to be made only in qualifying industrial facilities as per Sections 392.3(B) & (B)(1).
- #3. The phase, neutral, and EGCs cables are all counted in the allowable cable fill for the ventilated channel cable tray.
- #4. To avoid problems with unbalanced voltages, the cables should be bundled with ties every three feet or four feet. The bundle must contain the circuit's three phase conductors plus the neutral if one is used. If a cable is used as the EGC, it should also be in the cable bundle. If the designer desires, the ventilated channel cable tray may be used as the EGC as per Table 392.7(B)(2).
- #5. The single conductor cables should be firmly tied to the ventilated channel cable tray at six foot or less intervals.

392.11. Ampacity of Cables Rated 2000 Volts or Less in Cable Trays. (A) Multiconductor Cables.

Ampacity Tables 310.16 and 310.18 are to be used for multiconductor cables which are installed in cable tray using the allowable fill areas as per Section 392.9. The ampacities in Table 310.16 are based on an ambient temperature of 30° Celsius. Conduit and cable tray wiring systems are often installed in areas where they will be exposed to high ambient temperatures. For such installations, some designers and engineers neglect using the Ampacity Correction Factors listed below the Wire Ampacity Tables which results in the conductor insulation being operated in excess of its maximum safe temperature. These correction factors must be used to derate a cable for the maximum temperature it will be subjected to anywhere along its length.

392.11(A)(1)

Section 310.15(B)(2)(a) refers to Section 392.11 which states that the derating information of Table 310.15(B)(2)(a) applies to multiconductor cables with more than three current carrying conductors but not to the number of conductors in the cable tray.

392.11(A)(2)

Where cable trays are continuously covered for more than 6 feet (1.83m) with solid unventilated covers, not over 95 percent of the allowable ampacities of Tables 310.16 and 310.18 shall be permitted for multiconductor cables.

This is for multiconductor cables installed using Table 392.16 or 392.18. If these cables are installed in cable trays with solid unventilated covers for more than 6 feet the cables must be derated. Where cable tray covers are to be used, it is best to use raised or ventilated covers so that the cables can operate in a lower ambient temperature.

392.11(A)(3)

Where multiconductor cables are installed in a single layer in uncovered trays, with a maintained spacing of not less than one cable diameter between cables, the ampacity shall not exceed the allowable ambient temperature corrected ampacities of multiconductor cables, with not more than three insulated conductors rated 0-2000 volts in free air, in accordance with Section 310.15(C).

By spacing the cables one diameter apart, the engineer may increase the allowable ampacities of the cables to the free air rating as per Section 310.15(C) and Table B-310.3 in Appendix B. Notice that the allowable fill of the cable tray has been decreased in this design due to the cable spacing.

392.11. Ampacity of Cables Rated 2000 Volts or Less in Cable Trays. (B) Single Conductor Cables.

Single conductor cables can be installed in a cable tray cabled together (triplexed, quadruplexed, etc.) if desired. Where the cables are installed according to the requirements of Section 392.10, the ampacity requirements are shown in the following chart as per Section 392.11(B)(1), (2), (3), & (4):

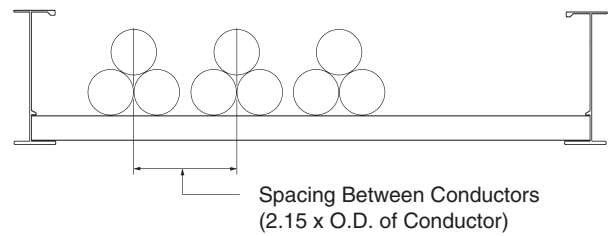
The 2005 **NEC**[®] has added a new exception to 392.11(B)(3). Stating that the capacity for single conductor cables be placed in solid bottom shall be determined by 310.15(C).

| Sec. No. | Cable Sizes | Solid Unventilated Cable Tray Cover | Applicable Ampacity Tables (*) | Mult. Amp. Table Values By | Special Conditions |
|----------|--|-------------------------------------|------------------------------------|----------------------------|--|
| (1) | 600 kcmil and Larger | No Cover Allowed (**) | 310.17 and 310.19 | 0.75 | |
| (1) | 600 kcmil and Larger | Yes | 310.17 and 310.19 | 0.70 | |
| (2) | 1/0 AWG through 500 kcmil | No Cover Allowed (**) | 310.17 and 310.19 | 0.65 | |
| (2) | 1/0 AWG through 500 kcmil | Yes | 310.17 and 310.19 | 0.60 | |
| (3) | 1/0 AWG & Larger In Single Layer | No Cover Allowed (**) | 310.17 and 310.19 | 1.00 | Maintained Spacing Of One Cable Diameter |
| (4) | Single Conductors In Triangle Config. 1/0 AWG and Larger | No Cover Allowed (**) | 310.20 [See NEC Section 310.15(B)] | 1.00 | Spacing Of 2.15 x One Conductor O.D. Between Cables(***) |

(*) The ambient ampacity correction factors must be used.

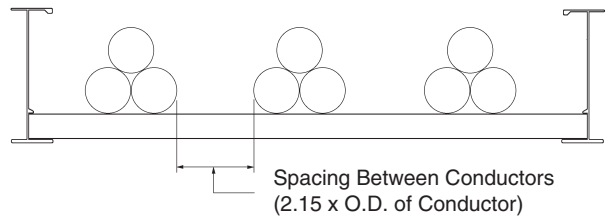
(**) At a specific position, where it is determined that the tray cables require mechanical protection, a single cable tray cover of six feet or less in length can be installed.

The wording of Section 392.11(B)(4) states that a spacing of 2.15 times one conductor diameter is to be maintained between circuits. Two interpretations of this statement are possible. Interpretation #1. - The 2.15 times one conductor diameter is the distance between the centerlines of the circuits (the center lines of the conductor bundles). Interpretation #2. - The 2.15 times one conductor diameter is the free air distance between the adjacent cable bundles. The use of the word "circuit" is unfortunate as its presence promotes Interpretation #1. An installation based on Interpretation #1 is not desirable as a free air space equal to 2.15 times one conductor diameter between the cable bundles should be maintained to promote cable heat dissipation.



Technically Undesirable Installation

Interpretation #1



Technically Desirable Installation

Interpretation #2

392.12. Number of Type MV and Type MC Cables (2001 Volts or Over) in Cable Trays.

Sum the diameters of all the cables (Sd) to determine the minimum required cable tray width. Triplexing or quadruplexing the cables does not change the required cable tray width. Whether the cables are grouped or ungrouped, all installations must be in a single layer.

392.13. Ampacity of Type MV and Type MC Cables (2001 Volts or Over) in Cable Trays. (A) Multiconductor Cables (2001 Volts or Over).

Provision No. 1: Where cable trays are continuously covered for more than six feet (1.83 m) with solid unventilated covers, not more than 95% of the allowable ampacities of Tables 310.75 and 310.76 shall be permitted for multiconductor cables.

Cables installed in cable trays with solid unventilated covers must be derated. Where cable tray covers are to be used, it is best to use raised or ventilated covers so that the cables can operate in a lower ambient temperature.

Provision No. 2: Where multiconductor cables are installed in a single layer in uncovered cable trays with a maintained spacing of not less than one cable diameter between cables, the ampacity shall not exceed the allowable ampacities of Table 310.71 and 310.72.

If the cable tray does not have covers and the conductors are installed in a single layer spaced not less than one cable diameter apart, the cable conductor ampacities can be 100 percent of the ambient temperature corrected capacities in Tables 310.71 or 310.72.

Cable Tray Manual

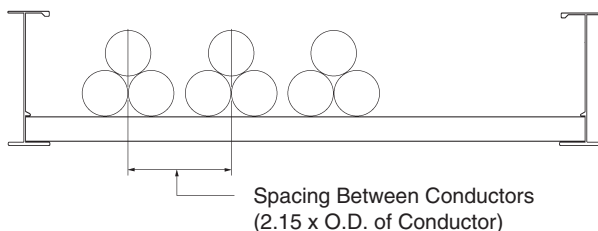
392.13. Ampacity of Type MV and Type MC Cables (2001 Volts or Over) in Cable Trays. (B) Single Conductor Cables (2001 Volts or Over).

| Sec. No. | Cable Sizes | Solid Unventilated Cable Tray Cover | Applicable Ampacity Tables (*) | Mult. Amp. Table Values By | Special Conditions |
|----------|--|-------------------------------------|--------------------------------|----------------------------|--|
| (1) | 1/0 AWG and Larger | No Cover Allowed (**) | 310.69 and 310.70 | 0.75 | |
| (1) | 1/0 AWG and Larger | Yes | 310.69 and 310.70 | 0.70 | |
| (2) | 1/0 AWG & Larger In Single Layer | No Cover Allowed (**) | 310.69 and 310.70 | 1.00 | Maintained Spacing Of One Cable Diameter |
| (3) | Single Conductors In Triangle Config. 1/0 AWG and Larger | No Cover Allowed (**) | 310.67 and 310.68 | 1.00 | Spacing Of 2.15 x One Conductor O.D. Between Cables(***) |

(*) The ambient ampacity correction factors must be used.

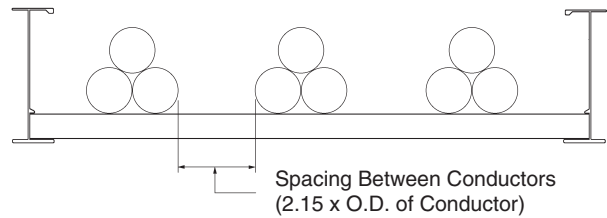
(**) At a specific position, where it is determined that the tray cables require mechanical protection, a single cable tray cover of six feet or less in length can be installed.

The wording of Section 392.13(B)(3) states that a spacing of 2.15 times one conductor diameter is to be maintained between circuits. Two interpretations of this statement are possible. Interpretation #1. - The 2.15 times one conductor diameter is the distance between the centerlines of the circuits (the center lines of the conductor bundles). Interpretation #2. - The 2.15 times one conductor diameter is the free air distance between the adjacent cable bundles. The use of the word "circuit" is unfortunate as its presence promotes Interpretation #1. An installation based on Interpretation #1 is not desirable as a free air space equal to 2.15 times one conductor diameter between the cable bundles should be maintained to promote cable heat dissipation.



Technically Undesirable Installation

Interpretation #1



Technically Desirable Installation

Interpretation #2

CABLE TRAY WIRING SYSTEM DESIGN AND INSTALLATION HINTS.

Cable tray wiring systems should have a standardized cabling strategy. Standard cable types should be used for each circuit type. Most of the following circuits should be included; feeder circuits, branch circuits, control circuits, instrumentation circuits, programmable logic controller input and output (I/O) circuits, low level analog or digital signals, communication circuits and alarm circuits. Some cables may satisfy the requirements for several circuit types. Minimizing the number of different cables used on a project reduces installed costs. Some companies have cable standards based on volume usage to minimize the numbers of different cables used on a project. For example: if a 6 conductor No. 14 control cable is needed but 7 conductor No. 14 control cable is stocked, a 7 conductor control cable would be specified and the extra conductor would not be used. Following such a practice can reduce the number of different cables handled on a large project without increasing the cost since high volume cable purchases result in cost savings. Orderly record keeping also helps provide quality systems with lower installation costs. The following items should be included in the project's cable records:

- Cable Tray Tag Numbers - The tagging system should be developed by the design personnel with identification numbers assigned to cable tray runs on the layout drawings. Cable tray tag numbers are used for controlling the installation of the proper cable tray in the correct location, routing cables through the tray system and controlling the cable fill area requirements.
- Cable Schedules - A wire management system is required for any size project. Cable schedules must be developed to keep track of the cables. This is especially true for projects involving more than just a few feeder cables. A typical cable schedule would contain most or all of the following:
 - The Cable Number, the Cable Manufacturer & Catalog Number, Number of conductors, the conductor sizes, and the approximate cable length.
 - Cable Origin Location - The origin equipment ID with the compartment or circuit number and terminals on which the cable conductors are to be terminated. It should also include the origin equipment layout drawing number, and the origin equipment connection diagram number.

- Cable Routing - Identifies the cable tray sections or runs that a cable will occupy. Cable tray ID tag numbers are used to track the routing.

- Cable Termination Location - The device or terminal equipment on which the cable conductors are to be terminated. It should also include the termination equipment layout drawing number, and the termination equipment connection diagram number.

Some design consultants and corporate engineering departments use spread sheets to monitor the cable tray runs for cable fill. With such a program, the cable tray fill area values for each cable tray run or section can be continuously upgraded. If a specified cable tray run or section becomes overfilled, it will be flagged for corrective action by the designer.

- Cable Installation Provisions - The cable tray system must be designed and installed, to allow access for cable installation. For many installations, the cables may be hand laid into the cable trays and no cable pulling equipment is required. There are other installations where sufficient room must be allotted for all the cable pulling activities and equipment.

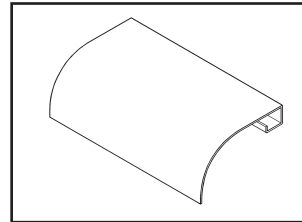
The cable manufacturers will provide installation information for their cables such as maximum pulling tension, allowable sidewall pressures, minimum bending radii, maximum permissible pulling length etc.. Lubricants are not normally used on cables being installed in cable trays.

The engineer and designers should discuss in detail the installation of the cables with the appropriate construction personnel. This will help to avoid installation problems and additional installation costs. It is important that the cable pull is in the direction that will result in the lowest tension on the cables. Keep in mind there also needs to be room at the ends of the pulls for the reel setups and for the power pulling equipment. Cable pulleys should be installed at each direction change. Triple pulleys should be used for 90 degree horizontal bends and all vertical bends. Single pulleys are adequate for horizontal bends less than 90 degrees. Use rollers in-between pulleys and every 10 to 20 feet depending on the cable weight. Plastic jacketed cables are easier to pull than are the metallic jacketed cables and there is less chance of cable damage. The pulling eye should always be attached to the conductor material to avoid tensioning the insulation. For interlocked armor cables, the conductors and the armor both have to be attached to the pulling eye.

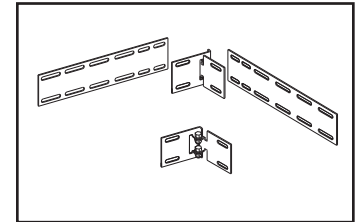
Normally, the cables installed in cable trays are not subjected to the damage suffered by insulated conductors pulled into conduit. Depending on the size of the insulated conductors and the conduit, jamming can take place which places destructive stresses on the cable insulation. In the October, 1991 issue of ECJ&M magazine, the article on cable pulling stated that 92 percent of the insulated conductors that fail do so because they were damaged in installation.

CABLE TRAY ACCESSORIES.

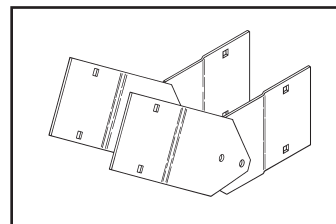
B-Line manufactures a full line of prefabricated accessories for all types of B-Line cable trays. The use of the appropriate accessories will provide installation cost and time savings. In addition to providing desirable electrical and mechanical features for the cable tray system, the use of the appropriate accessories improves the physical appearance of the cable tray system. Some of the most common accessories are shown below.



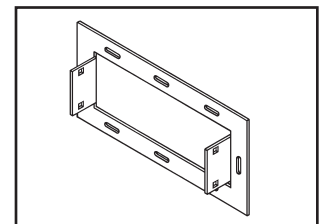
Ladder Dropout



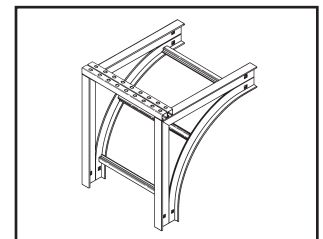
Horizontal Adjustable Splice
Requires supports within 24" on both sides, per NEMA VE 2.



Vertical Adjustable Splice
Requires supports within 24" on both sides, per NEMA VE 2.



Frame Box Connector



Cable Support Fitting

FIREPROOFING CABLE TRAY

Cable trays should not be encapsulated for fire protection purposes other than for the short lengths at fire rated walls unless the cables are adequately derated. Encapsulation to keep fire heat out will also keep conductor heat in. If conductors cannot dissipate their heat, their insulation systems will deteriorate. If the cable tray will be encapsulated, the cable manufacturer should be consulted for derating information.

CABLE TRAY MAINTENANCE AND REPAIR

If the cable tray finish and load capacity is properly specified and the tray is properly installed, virtually no maintenance is required.

Pre-Galvanized - This finish is for dry indoor locations. No maintenance is required.

Hot Dip Galvanized - This finish is maintenance free for many years in all but the most severe environments. If components have been cut or drilled in the field, the exposed steel area should be repaired with a cold galvanizing compound. Cooper B-Line has a spray on zinc coating available which meets the requirements of ASTM A780, *Repair of Hot Dip Finishes*.

Aluminum - Our cable tray products are manufactured from type 6063-T6 aluminum alloy with a natural finish. The natural oxide finish is self healing and requires no repair if it is field modified.

Non-metallic - Fabrication with fiberglass is relatively easy and comparable to working with wood. Any surface that has been drilled, cut, sanded, or otherwise broken, **must be sealed** with a comparable resin. Polyester or vinyl ester sealing kits are available.

Cable tray should be visually inspected each year for structural damage i.e., broken welds, bent rungs or severely deformed side rails. If damage is evident, from abuse or installation, it is recommended that the damaged section of cable tray be replaced rather than repaired. It is much easier to drop a damaged section of tray out from under the cables than it is to shield the cables from weld spatter.

CABLE TRAY. THERMAL CONTRACTION AND EXPANSION

All materials expand and contract due to temperature changes. Cable tray installations should incorporate features which provide adequate compensation for thermal contraction and expansion. Installing expansion joints in the cable tray runs only at the structure expansion joints does not normally compensate adequately for the cable tray's thermal contraction and expansion. The supporting structure material and the cable tray material will have different thermal expansion values. They each require unique solutions to control thermal expansion.

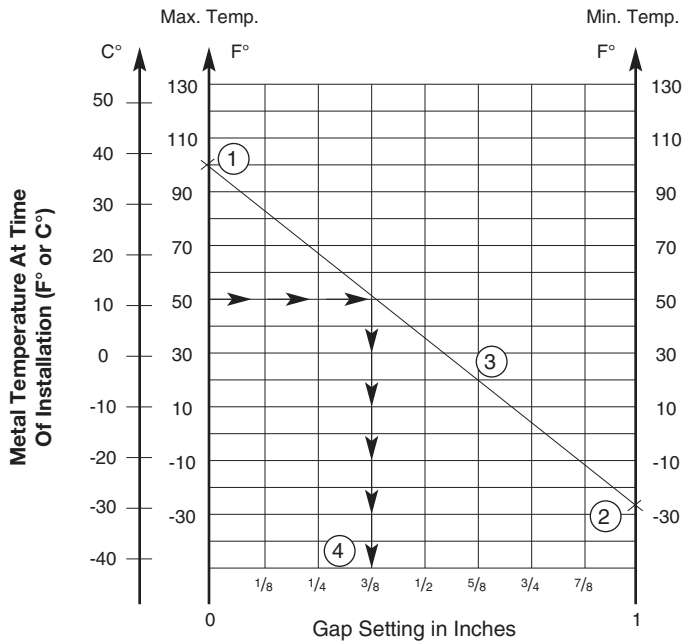
NEC® Section 300.7(B) states that **'Raceways shall be provided with expansion joints where necessary to compensate for thermal expansion or contraction.'** **NEC®** Section 392 does not address thermal contraction and expansion of cable tray. One document which addresses expansion is the NEMA Standards Publication No. VE 2, Section 4.3.2. NEMA VE-2 Table 4-2 shows the allowable lengths of steel and aluminum cable tray between expansion joints for the temperature differential values.

Reprinted with permission from NFPA 70-1999, the National Electrical Code®, Copyright© 1998, National Fire Protection Association, Quincy, MA 02269. This reprinted material is not the complete and official position of the National Fire Protection Association, on the referenced subject which is represented only by the standard in its entirety.

**Table 4-2
Maximum Spacing Between Expansion Joints
That Provide For One Inch (25.4 mm) Movement**

| Temp. Differential | | Steel | | Aluminum | | Stainless Steel | | | | FRP | |
|--------------------|------|-------|---------|----------|--------|-----------------|---------|-----|---------|------|---------|
| °F | (°C) | Feet | (m) | Feet | (m) | 304 | | 316 | | Feet | (m) |
| 25 | (-4) | 512 | (156.0) | 260 | (79.2) | 347 | (105.7) | 379 | (115.5) | 667 | (203.3) |
| 50 | (10) | 256 | (78.0) | 130 | (39.6) | 174 | (53.0) | 189 | (57.6) | 333 | (101.5) |
| 75 | (24) | 171 | (52.1) | 87 | (26.5) | 116 | (35.4) | 126 | (38.4) | 222 | (67.6) |
| 100 | (38) | 128 | (39.0) | 65 | (19.8) | 87 | (26.5) | 95 | (29.0) | 167 | (50.9) |
| 125 | (51) | 102 | (31.1) | 52 | (15.8) | 69 | (21.0) | 76 | (23.2) | 133 | (40.5) |
| 150 | (65) | 85 | (25.9) | 43 | (13.1) | 58 | (17.7) | 63 | (19.2) | 111 | (33.8) |
| 175 | (79) | 73 | (22.2) | 37 | (11.3) | 50 | (15.2) | 54 | (16.4) | 95 | (28.9) |

For a 100°F differential (winter to summer), a steel cable tray will require an expansion joint every 128 feet and an aluminum cable tray every 65 feet. The temperature at the time of installation will dictate the gap setting.



The Gap

Figure 4.13B
Gap Setting Of Expansion Splice Plate
1" (25.4 mm) Gap Maximum

Setting of the Expansion Joint Splice Plate is used as follows per the example indicated in VE-2 Figure 4.13B.

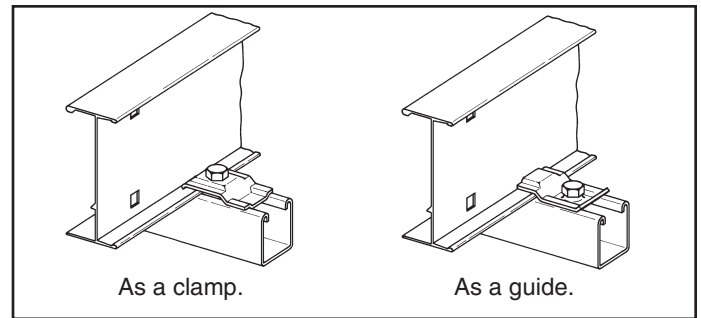
Step 1. Plot the highest expected cable tray metal temperature during the year on the maximum temperature vertical axis. Example's Value: 100 Degrees F.

Step 2. Plot the lowest expected cable tray metal temperature during the year on the minimum temperature vertical axes. Example's Value: - 28 Degrees F.

Step 3. Draw a line between these maximum and minimum temperature points on the two vertical axis.

Step 4. To determine the required expansion joint gap setting at the time of the cable tray's installation: Plot the cable tray metal temperature at the time of the cable tray installation on the maximum temperature vertical axis (Example's Value: 50 Degrees F). Project over from the 50 Degrees F point on the maximum temperature vertical axis to an intersection with the line between the maximum and minimum cable tray metal temperatures. From this intersection point, project down to the gap setting horizontal axis to find the correct gap setting value (Example's Value: 3/8 inch gap setting). This is the length of the gap to be set between the cable tray sections at the expansion joint.

The plotted High - Low Temperature Range in Figure 4-13B is 128° F. The 125° F line in Table 4-1 shows that installations in these temperature ranges would require 3/8" expansion joints approximately every 102 feet for Steel and every 52 feet for Aluminum cable tray.



Another item essential to the operation of the cable tray expansion splices is the type of hold down clamps used. The cable tray must not be clamped to each support so firmly that the cable tray cannot contract and expand without distortion. The cable tray needs to be anchored at the support closest to the midpoint between the expansion joints with **hold down clamps** and secured by **expansion guides** at all other support locations. The expansion guides allow the cable tray to slide back and forth as it contracts and expands. Supports must also be located on both sides of an expansion splice. The supports should be located within two feet of the expansion splice to ensure that the splice will operate properly. If these guidelines for cable tray thermal contraction and expansion are not followed, there is the potential for the cable trays to tear loose from their supports, and for the cable trays to bend and collapse.

| | |
|---|------------------|
| Appendix Sheet 1 | 419 |
| Temperature Rise Tests, Cable Tray Connectors, Class II Aluminum & Steel Ladder Tray | |
| Appendix Sheet 2 | 420 |
| Temperature Rise Tests, Conduit Clamps For Bonding Rigid Conduit To Cable Tray | |
| Appendix Sheet 3 | 421 |
| Example - NEC [®] Section 392.9(A)(1) | |
| Appendix Sheet 4 | 422 |
| Example - NEC [®] Section 392.9(A)(2) | |
| Appendix Sheet 5 | 423 |
| Example - NEC [®] Section 392.9(A)(3) | |
| Appendix Sheet 6 | 424 |
| Example - NEC [®] Section 392.9(B) | |
| Appendix Sheet 7 | 425 |
| Table 250.122 Minimum Size EGC for Raceway and Equipment | |
| Appendix Sheet 8 | 426 - 427 |
| Cable Tray Sizing Flowchart | |
| Appendix Sheet 9 | 428 - 429 |
| Cable Tray Installation & Specification Checklist | |
| Footnotes | 430 |
| Additional Cable Tray Resources and Engineering Software | |

**TABLE I
TEMPERATURE RISE TESTS, CABLE TRAY CONNECTORS,
CLASS II ALUMINUM LADDER CABLE TRAY**

| Test Current Amps And Fuse Size* | Test Time Cycles | I ² T mult. by 10 ⁶ | Connector Data | | | | | | | | |
|----------------------------------|------------------|---|------------------------|------------------|---------------|-------------------|------------------|---------------|-------------------|------------------|---------------|
| | | | C1 | | | C2 | | | C3 | | |
| | | | Type Of Connector | No. & Type Bolts | Temp. Rise °C | Type Of Connector | No. & Type Bolts | Temp. Rise °C | Type Of Connector | No. & Type Bolts | Temp. Rise °C |
| 7,900 1,200A Fuse | 66 | 69 | Adj. Vert. 1 Bolt** | 4 Steel | 6 | 3/0 CU Bond | AL-CU Lugs | 18 | Rigid Clean | 2 Steel | 8 |
| 7,900 1,200A Fuse | 82 | 85 | Rigid Corroded | 4 Steel | 10 | 3/0 CU Bond | AL-CU Lugs | 22 | Rigid Clean | 2 Steel | 9 |
| 12,000 | 120 | 288 | Rigid Corroded | 2 Nylon | 50 | 3/0 CU Bond | AL-CU Lugs | 104 | Rigid Clean | 2 Steel | 32 |
| 12,000 | 124 | 297 | Rigid Corroded | 4 Steel | 40 | Rigid Corroded | 4 Lugs | 46 | Rigid Clean | 4 Steel | 21 |
| 34,600 | 14 | 280 | Rigid Corroded | 2 Nylon | 34 | 3/0 CU Bond | AL-CU Lugs | 75 | Rigid Clean | 2 Steel | 29 |
| 34,400 | 14 | 276 | Rigid Corroded | 4 Nylon | 28 | Rigid Corroded | 4 Steel | 35 | Rigid Clean | 4 Steel | 20 |

**TABLE II
TEMPERATURE RISE TESTS, CABLE TRAY CONNECTORS,
CLASS II STEEL LADDER CABLE TRAY**

| Test Current Amps And Fuse Size* | Test Time Cycles | I ² T mult. by 10 ⁶ | Connector Data | | | | | | | | |
|----------------------------------|------------------|---|-------------------------|------------------|---------------|-------------------------|------------------|---------------|-------------------|------------------|---------------|
| | | | C1 | | | C2 | | | C3 | | |
| | | | Type Of Connector | No. & Type Bolts | Temp. Rise °C | Type Of Connector | No. & Type Bolts | Temp. Rise °C | Type Of Connector | No. & Type Bolts | Temp. Rise °C |
| 1,980 200A, FU | 52 | 3.4 | Adj. Vert. 1 Bolt** | 4 | 2 | No. 6 CU Bond | AL-CU Lugs | 10 | Rigid | 2 | 3 |
| 1,970 400A, FU | 394 | 25.5 | Adj. Vert. 1 Bolt** | 4 | 9 | No. 6 CU Bond | AL-CU Lugs | *** | Rigid | 2 | 15 |
| 1,960 400A, FU | 8100 | 51.8 | Adj. Vert. 1 Bolt** | 4 | 18 | Rigid | 4 | 23 | Rigid | 2 | 32 |
| 12,000 | 120 | 288 | Adj. Vert. 2 Bolts** | 4 | 94 | Adj. Vert. 2 Bolts** | 4 | 89 | Rigid | 4 | 81 |
| 12,000 | 123 | 295 | Rigid | 4 | 70 | Rigid | 4 | 87 | Rigid | 4 | 85 |
| 34,000 | 13 | 250 | Rigid | 4 | 71 | Rigid | 4 | 57 | Rigid | 4 | 69 |

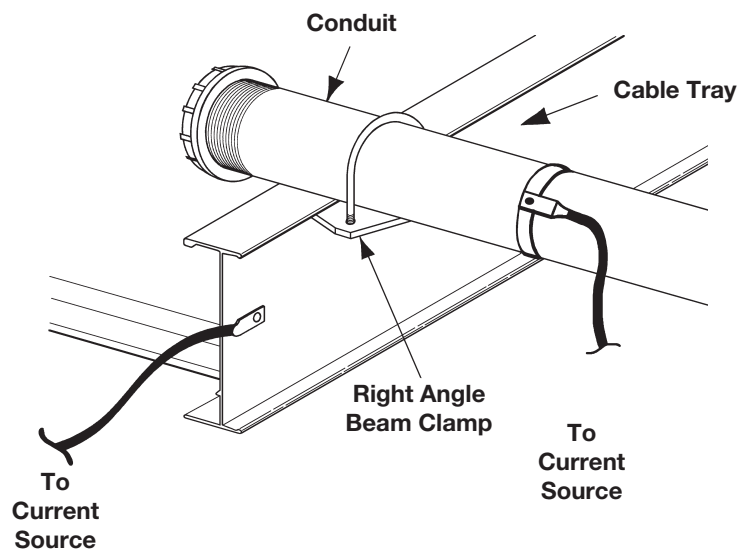
* Test current was interrupted in a predetermined time when a fuse was not used.

** 1 or 2 Bolts - Number of bolts installed on the adjustable vertical connector hinge.

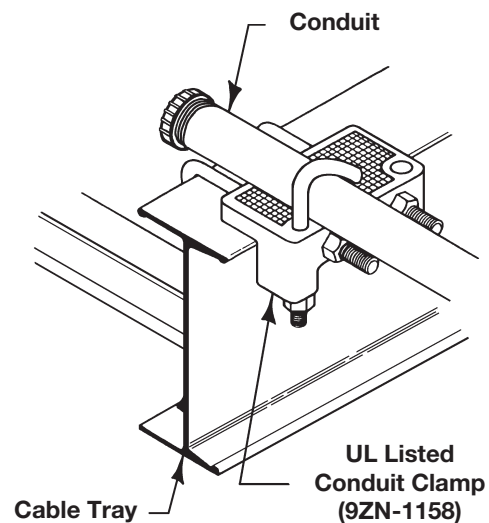
*** The No. 6 bonding jumper melted and opened the circuit when protected by 400A fuse.

(See Page 406 - Figure 1 for Temperature Rise Test illustration)

Appendix Sheet 1



Test Set-Up



Conduit Clamp Detail

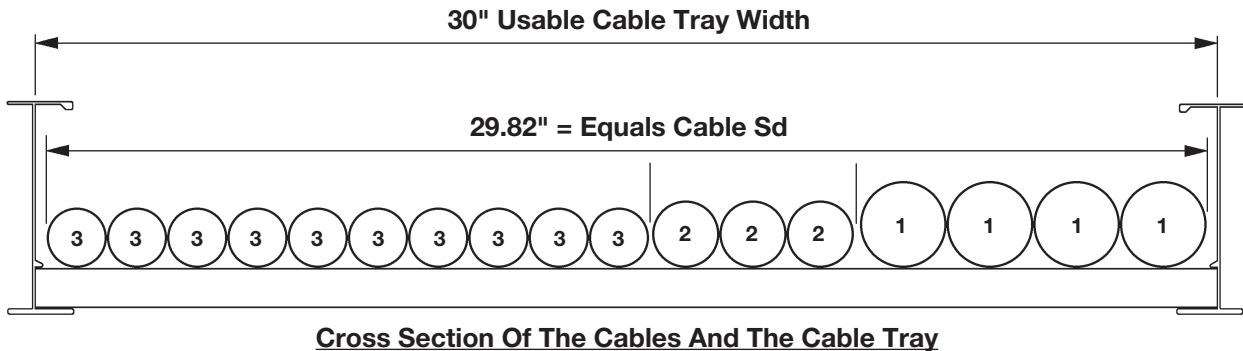
CIRCUIT ARRANGEMENT FOR RIGID CONDUIT TEMPERATURE RISE TESTS

**TABLE III
TEMPERATURE RISE TESTS, CONDUIT CLAMPS
FOR BONDING RIGID CONDUIT TO CABLE TRAY**

| Test Current Amperes | Test Time Cycles | I ² T mult. 10 ⁶ | Rigid Conduit | | Cable Tray | | Temp. Rise °C | Condition After Test |
|----------------------|------------------|--|---------------|----------|------------|----------|---------------|--|
| | | | Size | Material | Class | Material | | |
| 36,000 | 16 | 344.7 | 4" | Aluminum | II | Aluminum | 19 | No arcing or damage |
| 20,900 | 60.5 | 441.2 | 4" | Aluminum | II | Aluminum | 70 | No arcing or damage |
| 12,100 | 178 | 433.3 | 4" | Aluminum | II | Aluminum | 74 | No arcing or damage |
| 21,000 | 20 | 146.8 | 4" | Steel | II | Steel | (?) | Zinc melted at point where conduit contacted with tray |
| 3,260 | 900 | 159.5 | 4" | Steel | II | Steel | 63 | No arcing or damage |
| 21,000 | 30 | 220 | 2" | Aluminum | II | Aluminum | 21 | No arcing or damage |
| 12,100 | 120.5 | 294.2 | 2" | Aluminum | II | Aluminum | 59 | No arcing or damage |
| 8,000 | 245 | 261.1 | 2" | Aluminum | II | Aluminum | 44 | No arcing or damage |
| 21,000 | 14 | 103.8 | 2" | Steel | II | Steel | 62 | Zinc melted at point where conduit contacted with tray |
| 12,000 | 60.5 | 145.4 | 2" | Steel | II | Steel | 22 | Slight arc between clamp and tray |
| 3,240 | 600 | 104.9 | 2" | Steel | II | Steel | 49 | No arcing or damage |
| 21,000 | 20 | 146.8 | 1" | Aluminum | II | Aluminum | 20 | No arcing or damage |
| 12,200 | 60.5 | 150.3 | 1" | Aluminum | II | Aluminum | 24 | No arcing or damage |
| 12,100 | 14.5 | 35.3 | 1" | Steel | II | Steel | 6 | No arcing or damage |
| 8,000 | 63.5 | 67.84 | 1" | Steel | II | Steel | 59 | No arcing or damage |
| 1,980 200A FU | 44.5 | 2.9 | 1" | Steel | II | Steel | 1 | No arcing or damage |

Example - NEC® Section 392.9(A)(1)

Width selection for cable tray containing 600 volt multiconductor cables, sizes #4/0 AWG and larger only. Cable installation is limited to a single layer. The sum of the cable diameters (Sd) must be equal to or less than the usable cable tray width.



Cable tray width is obtained as follows:

| Item Number | List Cable Sizes | (D) List Cable Outside Diameter | (N) List Number of Cables | Multiply (D) x (N) Subtotal of the Sum of the Cables Diameters (Sd) |
|-------------|------------------|------------------------------------|------------------------------|--|
| 1. | 3/C - #500 kcmil | 2.26 inches | 4 | 9.04 inches |
| 2. | 3/C - #250 kcmil | 1.76 inches | 3 | 5.28 inches |
| 3. | 3/C - #4/0 AWG | 1.55 inches | 10 | 15.50 inches |

The sum of the diameters (Sd) of all cables (Add Sds for items 1, 2, & 3.)

$$9.04 \text{ inches} + 5.28 \text{ inches} + 15.50 \text{ inches} = 29.82 \text{ inches (Sd)}$$

A cable tray with a usable width of 30 inches is required. For a 10% increase in cost a 36 inch wide cable tray could be purchased which would provide for some future cable additions.

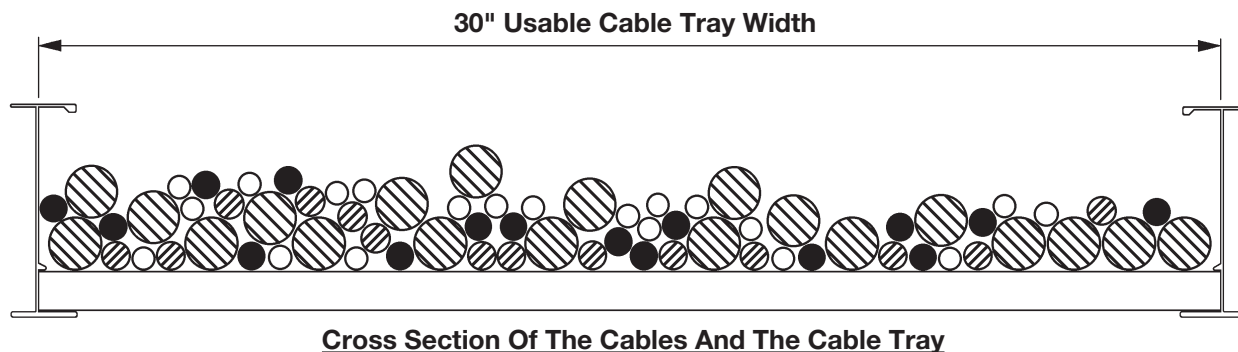
Notes:

- The cable sizes used in this example are a random selection.
- Cables - copper conductors with cross linked polyethylene insulation and a PVC jacket. (These cables could be ordered with or without an equipment grounding conductor.)
- Total cable weight per foot for this installation.
61.4 lbs./ft. (without equipment grounding conductors)
69.9 lbs./ft. (with equipment grounding conductors)
This load can be supported by a load symbol "B" cable tray - 75 lbs./ft.

Cable Tray Manual

Example - NEC® Section 392.9(A)(2)

Width selection for cable tray containing 600 volt multiconductor cables, sizes #3/0 AWG and smaller. Cable tray allowable fill areas are listed in Column 1 of Table 392.9.



Cable tray width is obtained as follows:

| Item Number | List Cable Sizes | (A) List Cable Cross Sectional Areas | (N) List Number of Cables | Multiply (A) x (N) Total of the Cross Sectional Area for Each Item |
|-------------|------------------|---|------------------------------------|---|
| 1. | 3/C #12 AWG | 0.17 sq. in. | 20 | 3.40 sq. in. |
| 2. | 4/C #12 AWG | 0.19 sq. in. | 16 | 3.04 sq. in. |
| 3. | 3/C #6 AWG | 0.43 sq. in. | 14 | 6.02 sq. in. |
| 4. | 3/C #2 AWG | 0.80 sq. in. | 20 | 16.00 sq. in. |

Method 1.

The sum of the total areas for items 1, 2, 3, & 4:

$$3.40 \text{ sq. in.} + 3.04 \text{ sq. in.} + 6.02 \text{ sq. in.} + 16.00 \text{ sq. in.} = 28.46 \text{ sq. inches}$$

From Table 392.9 Column 1 a 30 inch wide tray with an allowable fill area of 35 sq. in. must be used. The 30 inch cable tray has the capacity for additional future cables (6.54 sq. in. additional allowable fill area can be used.)

Method 2.

The sum of the total areas for items 1, 2, 3, & 4 multiplied by

$$\left(\frac{6 \text{ in.}}{7 \text{ sq. in.}} \right) = \text{cable tray width required}$$

$$3.40 \text{ sq. in.} + 3.04 \text{ sq. in.} + 6.02 \text{ sq. in.} + 16.00 \text{ sq. in.} = 28.46 \text{ sq. in.}$$

$$\left(\frac{28.46 \text{ sq. in.} \times 6 \text{ in.}}{7 \text{ sq. in.}} \right) = 24.39 \text{ inch cable tray width required}$$

Use a 30 inch wide cable tray.

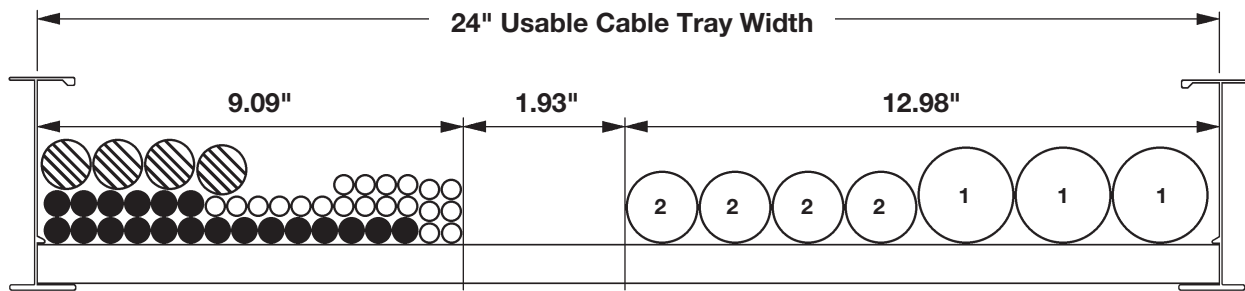
Notes:

1. The cable sizes used in this example are a random selection.
2. Cables - copper conductors with cross linked polyethylene insulation and a PVC jacket. (These cables could be ordered with or without an equipment grounding conductor.)
3. Total cable weight per foot for this installation.
31.9 lbs./ft. (Cables in this example do not contain equipment grounding conductors.)
This load can be supported by a load symbol "A" cable tray - 50 lbs./ft.

Appendix Sheet 4

Example - NEC® Section 392.9(A)(3)

Width selection for cable tray containing 600 volt multiconductor cables, sizes #4/0 AWG and larger (single layer required) and #3/0 AWG and smaller. These two groups of cables must have dedicated areas in the cable tray.



Cross Section Of The Cables And The Cable Tray

Cable tray width is obtained as follows:

A - Width required for #4/0 AWG and larger multiconductor cables -

| Item Number | List Cable Sizes | (D) List Cable Outside Diameter | (N) List Number of Cables | Multiply (D) x (N) Subtotal of the Sum of the Cables Diameters (Sd) |
|--|------------------|------------------------------------|------------------------------|--|
| 1. | 3/C - #500 kcmil | 2.26 inches | 3 | 6.78 inches |
| 2. | 3/C - #4/0 AWG | 1.55 inches | 4 | 6.20 inches |
| Total cable tray width required for items 1 & 2 = 6.78 inches + 6.20 inches = 12.98 inches | | | | |

B - Width required for #3/0 AWG and smaller multiconductor cables -

| Item Number | List Cable Sizes | (A) List Cable Cross Sectional Area | (N) List Number of Cables | Multiply (A) x (N) Total of the Cross Sectional Area For Each Item |
|-------------|------------------|--|------------------------------|---|
| 3. | 3/C #12 AWG | 0.17 sq. in. | 20 | 3.40 sq. in. |
| 4. | 3/C #10 AWG | 0.20 sq. in. | 20 | 4.00 sq. in. |
| 5. | 3/C #2 AWG | 0.80 sq. in. | 4 | 3.20 sq. in. |

Total cable tray width required for items 3, 4, & 5

$$(3.40 \text{ sq. in.} + 4.00 \text{ sq. in.} + 3.20 \text{ sq. in.}) \left(\frac{6 \text{ in.}}{7 \text{ sq. in.}} \right)^1 = (10.6 \text{ sq. in.}) \left(\frac{6 \text{ in.}}{7 \text{ sq. in.}} \right)^1 = 9.09 \text{ inches}$$

Actual cable tray width is A - Width (12.98 in.) + B - Width (9.09 in.) = 22.07 inches

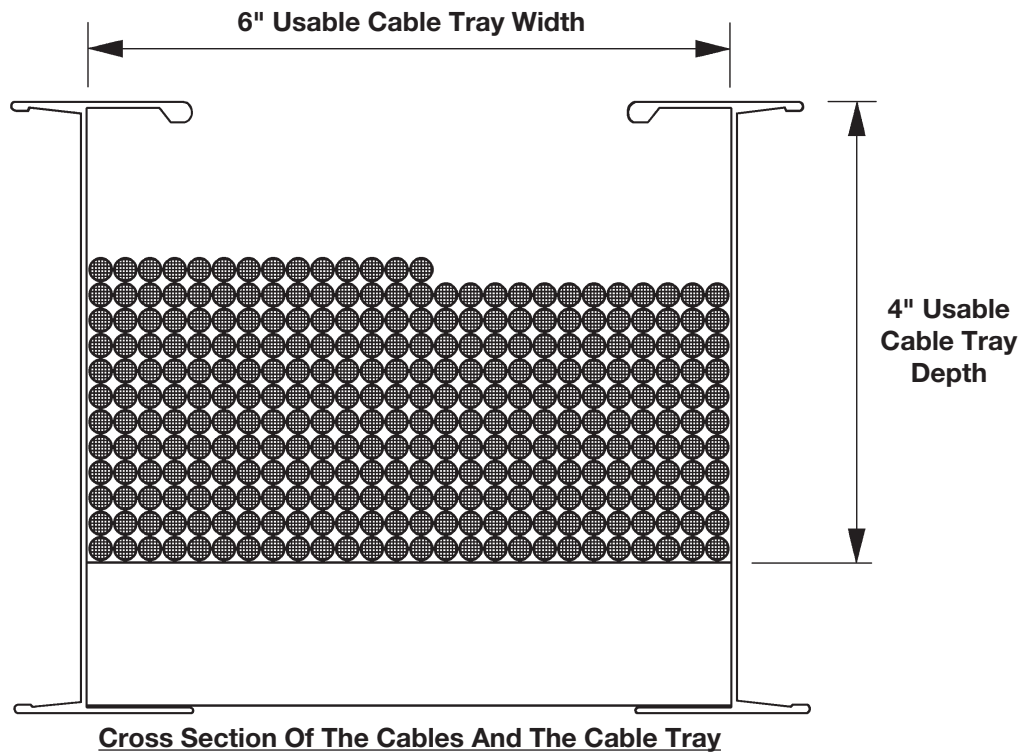
A 24 inch wide cable tray is required. The 24 inch cable tray has the capacity for additional future cables (1.93 inches or 2.25 sq. inches allowable fill can be used).

Notes:

- This ratio is the inside width of the cable tray in inches divided by its maximum fill area in sq. inches from Column 1 Table 392.9.
- The cable sizes used in this example are a random selection.
- Cables - copper conductors with cross linked polyethylene insulation and a PVC jacket.
- Total cable weight per foot for this installation.
40.2 lbs./ft. (Cables in this example do not contain equipment grounding conductors.)
This load can be supported by a load symbol "A" cable tray - 50 lbs./ft.

Example - NEC® Section 392.9(B)

Cable Tray containing Type ITC or Type PLTC Cables



50% of the cable tray useable cross sectional area can contain type PLTC cables

4 inches x 6 inches x .050 = 12 square inches allowable fill area.

2/C - #16 AWG 300 volt shielded instrumentation cable O.D. = 0.224 inches.

Cross Sectional Area = 0.04 square inches.

$$\frac{12 \text{ sq. in.}}{0.04 \text{ sq. in./cable}} = 300 \text{ cables can be installed in this cable tray.}$$

$$\frac{300 \text{ cables}}{26 \text{ cables/rows}} = 11.54 \text{ rows can be installed in this cable tray.}$$

Notes:

1. The cable sizes used in this example are a random selection.
2. Cables - copper conductors with PVC insulation, aluminum/mylar shielding, and PVC jacket.

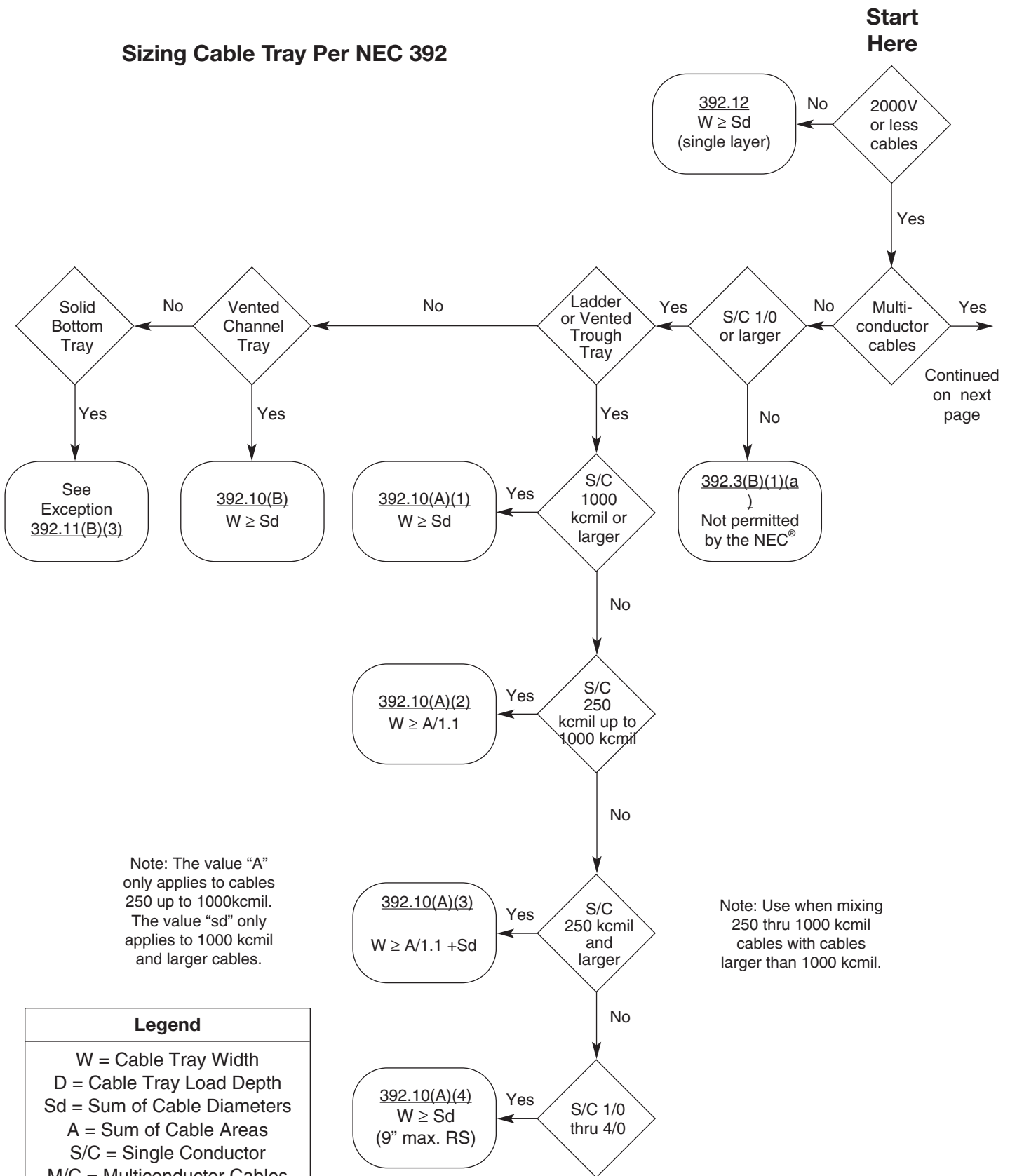
Table 250.122. Minimum Size Equipment Grounding Conductors for Grounding Raceways and Equipment

| Rating or Setting of Automatic Overcurrent Device in Circuit Ahead of Equipment, Conduit, etc., Not Exceeding (Amperes) | Size (AWG or kcmil) | |
|---|---------------------|-----------------------------------|
| | Copper | Aluminum or Copper-Clad Aluminum* |
| 15 | 14 | 12 |
| 20 | 12 | 10 |
| 30 | 10 | 8 |
| 40 | 10 | 8 |
| 60 | 10 | 8 |
| 100 | 8 | 6 |
| 200 | 6 | 4 |
| 300 | 4 | 2 |
| 400 | 3 | 1 |
| 500 | 2 | 1/0 |
| 600 | 1 | 2/0 |
| 800 | 1/0 | 3/0 |
| 1000 | 2/0 | 4/0 |
| 1200 | 3/0 | 250 |
| 1600 | 4/0 | 350 |
| 2000 | 250 | 400 |
| 2500 | 350 | 600 |
| 3000 | 400 | 600 |
| 4000 | 500 | 800 |
| 5000 | 700 | 1200 |
| 6000 | 800 | 1200 |

Reprinted with permission from NFPA 70-1999, the National Electrical Code®, Copyright© 1998, National Fire Protection Association, Quincy, MA 02269. This reprinted material is not the complete and official position of the National Fire Protection Association, on the referenced subject which is represented only by the standard in its entirety.

CABLE TRAY SIZING FLOWCHART

Sizing Cable Tray Per NEC 392

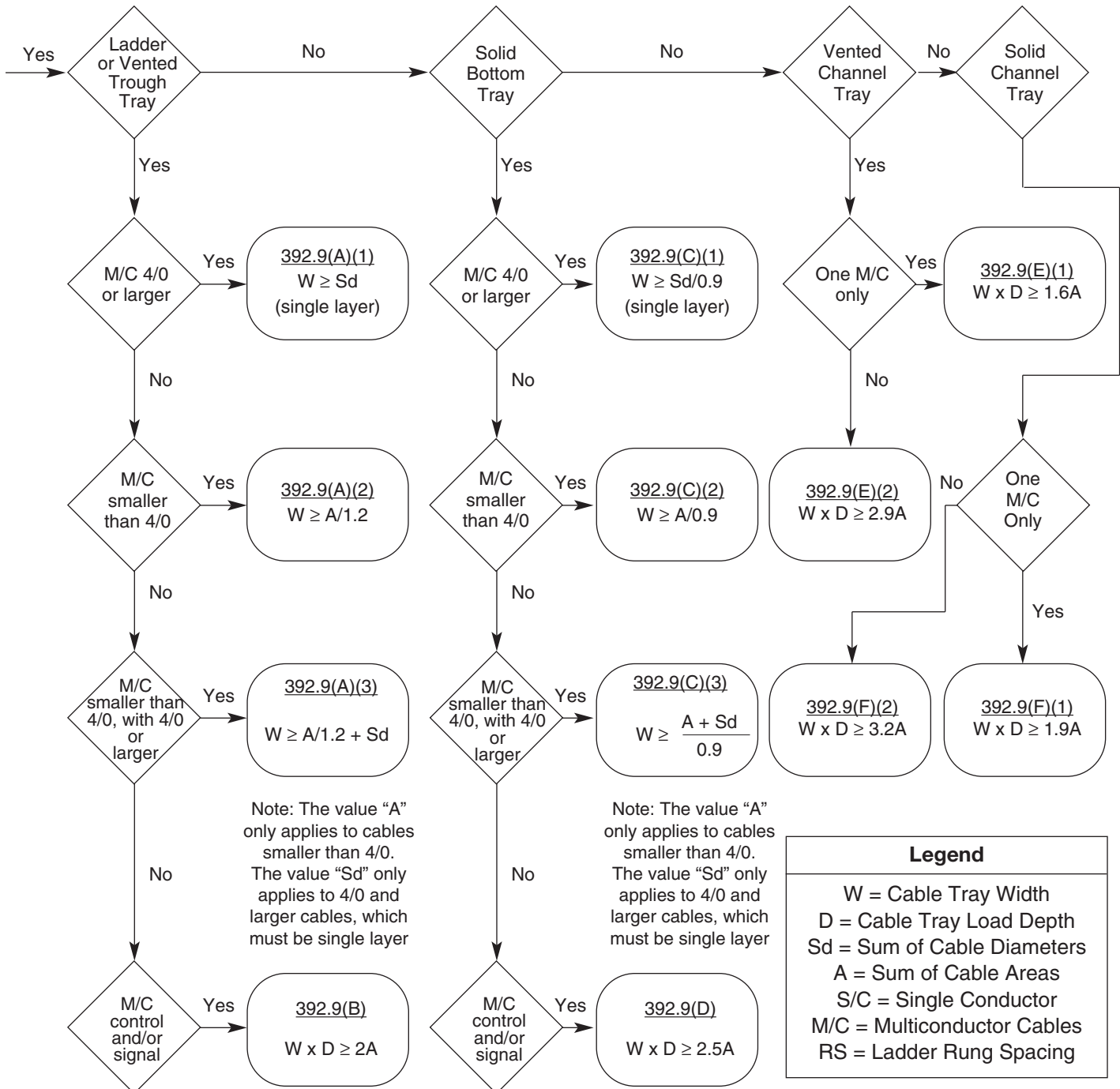


| Legend |
|-----------------------------|
| W = Cable Tray Width |
| D = Cable Tray Load Depth |
| Sd = Sum of Cable Diameters |
| A = Sum of Cable Areas |
| S/C = Single Conductor |
| M/C = Multiconductor Cables |
| RS = Ladder Rung Spacing |

CABLE TRAY SIZING FLOWCHART

Ampacity: See pages 412 - 414 for information on cable ampacity that might affect the cable tray sizing flowchart.

See pages 393 - 396 for information on hazardous (classified) areas that might affect the cable tray sizing flowchart.



Appendix Sheet 8

Cable Tray Manual

CABLE TRAY INSTALLATION & SPECIFICATION CHECKLIST

Project Information

Project Name: _____ # _____
 Location: _____
 Contractor/Engineer: _____
 Phone: _____

Project Information

Distributor Name: _____
 Location: _____
 Contact: _____
 Phone: _____ Fax: _____

Cable Tray

| <u>Material</u> | <u>NEMA Load Depth*</u> |
|---|--------------------------------|
| Aluminum <input type="checkbox"/> | 2" ** <input type="checkbox"/> |
| Pre-Galvanized Steel <input type="checkbox"/> | 3" <input type="checkbox"/> |
| Hot-Dip Galvanized Steel <input type="checkbox"/> | 4" <input type="checkbox"/> |
| 304 Stainless Steel <input type="checkbox"/> | 5" <input type="checkbox"/> |
| 316 Stainless Steel <input type="checkbox"/> | 6" <input type="checkbox"/> |
| Fiberglass-Polyester Resin <input type="checkbox"/> | |
| Fiberglass-Vinyl Ester Resin <input type="checkbox"/> | |
| Fiberglass-Zero Halogen <input type="checkbox"/> | |
| Fiberglass-Dis Stat <input type="checkbox"/> | |

* Load depth is 1" less than siderail height.
 ** Fiberglass and wire mesh.

| <u>Width</u> | <u>Bottom Styles</u> | <u>Length</u> | <u>Fitting Radius</u> |
|------------------------------|--|-------------------------------|------------------------------|
| 6" <input type="checkbox"/> | 6" <input type="checkbox"/> | <u>Metallic</u> | 12" <input type="checkbox"/> |
| 9" <input type="checkbox"/> | 9" <input type="checkbox"/> | 120" <input type="checkbox"/> | 24" <input type="checkbox"/> |
| 12" <input type="checkbox"/> | 12" <input type="checkbox"/> | 144" <input type="checkbox"/> | 36" <input type="checkbox"/> |
| 18" <input type="checkbox"/> | 18" <input type="checkbox"/> | 240" <input type="checkbox"/> | 48" <input type="checkbox"/> |
| 24" <input type="checkbox"/> | Ventilated Trough <input type="checkbox"/> | 288" <input type="checkbox"/> | |
| 30" <input type="checkbox"/> | Non-Ventilated Trough <input type="checkbox"/> | <input type="checkbox"/> | |
| 36" <input type="checkbox"/> | Non-Ventilated Bottom <input type="checkbox"/> | <u>Non-Metallic</u> | |
| 42" <input type="checkbox"/> | | 120" <input type="checkbox"/> | |
| | | 240" <input type="checkbox"/> | |

Tray Series

B-Line Series _____ OR _____

System Loading

(50 lbs./ft.)
 (75 lbs./ft.)
 (100 lbs./ft.)

Support Span _____ ft.
 Load Rating _____ lbs./ft.
 Safety Factor _____

CABLE TRAY INSTALLATION & SPECIFICATION CHECKLIST

| Cable Channel | | | |
|------------------------------|--------------------------|-----------------------|--------------------------|
| <u>Material</u> | | <u>Width</u> | |
| Aluminum | <input type="checkbox"/> | 3" | <input type="checkbox"/> |
| Pre-Galvanized Steel | <input type="checkbox"/> | 4" | <input type="checkbox"/> |
| Hot-Dip Galvanized Steel | <input type="checkbox"/> | 6" | <input type="checkbox"/> |
| 304 Stainless Steel | <input type="checkbox"/> | 8" * | <input type="checkbox"/> |
| 316 Stainless Steel | <input type="checkbox"/> | * Fiberglass only. | |
| Fiberglass-Polyester Resin | <input type="checkbox"/> | <u>Fitting Radius</u> | |
| Fiberglass-Vinyl Ester Resin | <input type="checkbox"/> | 0" | <input type="checkbox"/> |
| Fiberglass-Zero Halogen | <input type="checkbox"/> | 6" | <input type="checkbox"/> |
| Fiberglass-Dis Stat | <input type="checkbox"/> | 12" | <input type="checkbox"/> |
| <u>Type</u> | | 24" | <input type="checkbox"/> |
| Ventilated | <input type="checkbox"/> | 36" | <input type="checkbox"/> |
| Non-Ventilated | <input type="checkbox"/> | | |

| Cent-R-Rail | | | |
|------------------------------|------------------------------|----------------------------|-------------------------------|
| <u>System</u> | | <u>Depth*</u> | |
| Data-Track | <input type="checkbox"/> | Straight Rung | <input type="checkbox"/> |
| Verti-Rack | <input type="checkbox"/> | 2" | <input type="checkbox"/> |
| Half-Rack | <input type="checkbox"/> | 3" | <input type="checkbox"/> |
| Multi-Tier Half Rack | <input type="checkbox"/> | 4" | <input type="checkbox"/> |
| | | 6" | <input type="checkbox"/> |
| <u>Width*</u> | <u>Rung Spacing*</u> | <u>Tiers*</u> | <u>Length</u> |
| 3" <input type="checkbox"/> | 6" <input type="checkbox"/> | 2 <input type="checkbox"/> | 120" <input type="checkbox"/> |
| 6" <input type="checkbox"/> | 9" <input type="checkbox"/> | 3 <input type="checkbox"/> | 144" <input type="checkbox"/> |
| 9" <input type="checkbox"/> | 12" <input type="checkbox"/> | 4 <input type="checkbox"/> | |
| 12" <input type="checkbox"/> | 18" <input type="checkbox"/> | 5 <input type="checkbox"/> | |
| 18" <input type="checkbox"/> | 24" <input type="checkbox"/> | 6 <input type="checkbox"/> | |
| 24" <input type="checkbox"/> | | | |

* Options shown are not available for all systems. Please check B-Line Cent-R-Rail Catalog for availability.

| Flextray | | | |
|------------------------------|-------------------------------|-----------------------|-----------------|
| <u>Width*</u> | <u>Depth*</u> | <u>Wire Mesh Size</u> | <u>Length</u> |
| 2" <input type="checkbox"/> | 1.5" <input type="checkbox"/> | 2 x 4 | 118" (3 meters) |
| 4" <input type="checkbox"/> | 2" <input type="checkbox"/> | | |
| 6" <input type="checkbox"/> | 4" <input type="checkbox"/> | | |
| 8" <input type="checkbox"/> | 6" <input type="checkbox"/> | | |
| 12" <input type="checkbox"/> | | | |
| 16" <input type="checkbox"/> | | | |
| 18" <input type="checkbox"/> | | | |
| 20" <input type="checkbox"/> | | | |
| 24" <input type="checkbox"/> | | | |
| 30" <input type="checkbox"/> | | | |
| 32" <input type="checkbox"/> | | | |

* Widths shown are not available for all depths.

Footnotes:

- ¹ NEMA Standard VE-2, Section 4, Installation 4.3 Straight Section Installation - 4.3.1. Horizontal Cable Tray Straight Sections states that straight section lengths should be equal to or greater than the span length to ensure not more than one splice between supports.

Additional Cable Tray Resources

Cable Tray Institute
1300 N. 17th Street
Rosslyn, VA 22209
www.cabletrays.com

National Electrical Manufacturers Association
1300 N. 17th Street
Rosslyn, VA 22209
www.nema.org

B-Line Engineering Software

TrayCAD™

TrayCAD is a Cable Tray layout design program that works within the AutoCAD® environment. TrayCAD is a windows based program and installs as an add-on to your AutoCAD system. Use the TrayCAD toolbar to add cable tray to your existing plans by drawing a single centerline representation of the tray run. Then, with the click of a button, the program will build a full-scale 3-D wire-frame model of the cable tray and all the appropriate fittings. The program also automatically creates a Bill of Material and contains a library of modifiable details.

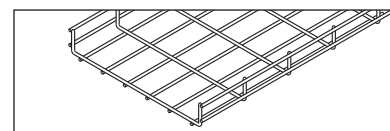
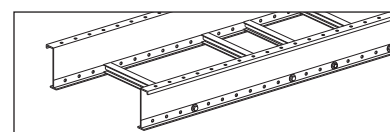
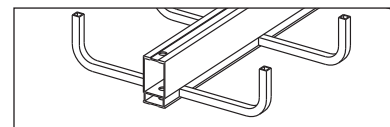
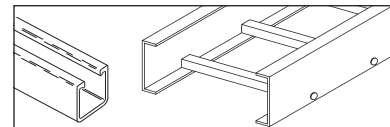
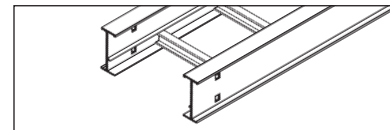
Runway Router™

Runway Router is a cable ladder runway (ladder rack) layout design program that works within your AutoCAD environment. Use the commands from the Runway Router toolbar to layout runway, relay racks and electronic cabinets. Add cable tray or Cent-R-Rail™ to your existing plans by drawing a single centerline representation of the cable run. Then, with the click of a button, the program will build a full-scale 3-D wire-frame model of the cable runway and all the appropriate connectors and fittings. The program also automatically creates a Bill of Material and contains a library of modifiable details.

B-Line Wire Management Resources

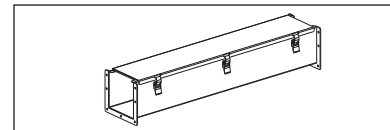
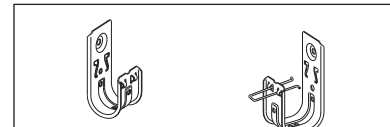
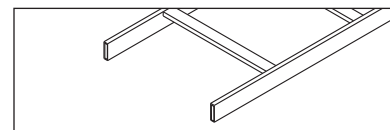
B-Line Product Catalogs

- Cable Tray Systems
 Metallic, Two Siderail System
 Commercial and Industrial Applications
- Fiberglass Cable Tray
 Non-Metallic, Two Siderail Trays
 Non-Metallic Strut Systems
- Cent-R-Rail™
 Center Supported Cable Tray
 “Lay-In” Cable Design for Easy Installation
 of Low Voltage Cables
- Redi-Rail™
 Pre-Punched Aluminum Side Rail Design
 Unmatched Job Site Adaptability for a Two
 Side Rail System - Load Depths 2” to 6”
- Flextray
 Unmatched Adaptability to Site Conditions
 Pre-Packaged Installation Kits and Accessories
 Fast - Adaptable - Economical



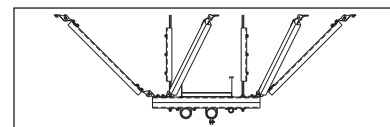
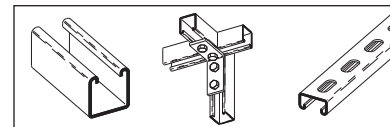
Other B-Line Wire Management Systems

- Telecom
 Saunders' Cable Runway and Relay Racks
 Unequal Flange Racks
- Cable Hooks
 Supports all Cat 5, Fiber Optic, Innerduct
 and Low Voltage Cabling Requirements
- Wireway
 Houses Runs of Control and Power Cable
 Available in NEMA 12, Type 1 & Type 3R



B-Line Mechanical Support Systems

- Strut Systems
 Metal Framing Support System. Fully Adjustable
 and Reusable, with a Complete Line of Channel,
 Fittings and Accessories for Multi-Purpose Applications
- Seismic Restraints
 Multi-Directional Bracing for Electrical Conduit,
 Cable Tray and Mechanical Piping Systems.
 OSHDP Pre-Approved Details



Index - Straight Sections

Cable Tray Straight Sections

Prefix
 Example: 148 * 12 - 24 - 144

① Series ④ Width
 ② Material ⑤ Length
 ③ Rung Spacing

Catalog No. Page

**Redi-Rail®
 Aluminum Cable Tray**

| | |
|-------------|-----|
| H14AR ③-④-⑤ | 178 |
| H15AR ③-④-⑤ | 178 |
| H16AR ③-④-⑤ | 179 |
| H17AR ③-④-⑤ | 179 |

A = Aluminum

**Series 2, 3, 4, & 5
 Aluminum Cable Tray**

| | |
|------------|-----------|
| 24A ③-④-⑤ | 228 - 229 |
| 25A ③-④-⑤ | 230 - 231 |
| 26A ③-④-⑤ | 232 - 233 |
| 34A ③-④-⑤ | 228 - 229 |
| 35A ③-④-⑤ | 230 - 231 |
| 36A ③-④-⑤ | 232 - 233 |
| 37A ③-④-⑤ | 234 - 235 |
| 46A ③-④-⑤ | 232 - 233 |
| 47A ③-④-⑤ | 234 - 235 |
| 57A ③-④-⑤ | 234 - 235 |
| H46A ③-④-⑤ | 232 - 233 |
| H47A ③-④-⑤ | 234 - 235 |
| S8A ③-④-⑤ | 236 |

A = Aluminum

**Series 1
 Steel Cable Tray**

| | |
|-------------|-----|
| 148 G ③-④-⑤ | 204 |
| 148 P ③-④-⑤ | 204 |
| 156 G ③-④-⑤ | 205 |
| 156 P ③-④-⑤ | 205 |
| 166 G ③-④-⑤ | 206 |
| 166 P ③-④-⑤ | 206 |
| 176 G ③-④-⑤ | 207 |
| 176 P ③-④-⑤ | 207 |

G = Hot Dipped Galvanized Steel
 P = Pre-Galvanized Steel

Catalog No. Page

**Series 2, 3, 4, & 5
 Steel Cable Tray**

| | |
|-------------|-----------|
| 248 G ③-④-⑤ | 252 - 253 |
| 248 P ③-④-⑤ | 252 - 253 |
| 258 G ③-④-⑤ | 254 - 255 |
| 258 P ③-④-⑤ | 254 - 255 |
| 268 G ③-④-⑤ | 256 - 257 |
| 268 P ③-④-⑤ | 256 - 257 |
| 346 G ③-④-⑤ | 252 - 253 |
| 346 P ③-④-⑤ | 252 - 253 |
| 356 G ③-④-⑤ | 254 - 255 |
| 356 P ③-④-⑤ | 254 - 255 |
| 366 G ③-④-⑤ | 256 - 257 |
| 366 P ③-④-⑤ | 256 - 257 |
| 378 G ③-④-⑤ | 258 - 259 |
| 378 P ③-④-⑤ | 258 - 259 |
| 444 G ③-④-⑤ | 252 - 253 |
| 444 P ③-④-⑤ | 252 - 253 |
| 454 G ③-④-⑤ | 254 - 255 |
| 454 P ③-④-⑤ | 254 - 255 |
| 464 G ③-④-⑤ | 256 - 257 |
| 464 P ③-④-⑤ | 256 - 257 |
| 476 G ③-④-⑤ | 258 - 259 |
| 476 P ③-④-⑤ | 258 - 259 |
| 574 G ③-④-⑤ | 258 - 259 |
| 574 P ③-④-⑤ | 258 - 259 |

G = Hot Dipped Galvanized Steel
 P = Pre-Galvanized Steel

**Series 2, 3, 4, & 5
 Stainless Steel Cable Tray**

| | |
|--------------|-----|
| 348SS4 ③-④-⑤ | 274 |
| 348SS6 ③-④-⑤ | 274 |
| 358SS4 ③-④-⑤ | 275 |
| 358SS6 ③-④-⑤ | 275 |
| 368SS4 ③-④-⑤ | 276 |
| 368SS6 ③-④-⑤ | 276 |
| 464SS4 ③-④-⑤ | 276 |
| 464SS6 ③-④-⑤ | 276 |

SS4 = Stainless Steel 304
 SS6 = Stainless Steel 316

Catalog No. Page

Fiberglass Cable Tray

| | |
|-------------|-----|
| 13F ③-④-⑤ | 324 |
| 13FA ③-④-⑤ | 324 |
| 13FV ③-④-⑤ | 324 |
| 24F ③-④-⑤ | 325 |
| 24FA ③-④-⑤ | 325 |
| 24FV ③-④-⑤ | 325 |
| 36F ③-④-⑤ | 326 |
| 36FA ③-④-⑤ | 326 |
| 36FV ③-④-⑤ | 326 |
| 46F ③-④-⑤ | 327 |
| 46FA ③-④-⑤ | 327 |
| 46FV ③-④-⑤ | 327 |
| 48F ③-④-⑤ | 329 |
| 48FA ③-④-⑤ | 329 |
| 48FV ③-④-⑤ | 329 |
| H46F ③-④-⑤ | 328 |
| H46FA ③-④-⑤ | 328 |
| H46FV ③-④-⑤ | 328 |

F = Polyester Resin
 FA = Zero Halogen/Dis-Stat
 FV = Vinyl Ester Resin

Cable Channel Straight Sections

Flextray

Prefix
 Example: **A CC - 06 - 144**
 ① ② ③ ④

① Material ③ Width
 ② Series ④ Length

Prefix
 Example: **FT 2X 12X 10**
 ① ② ③ ④

① Flextray ③ Width
 ② loading Height ④ Length 118"

| Catalog No. | Page |
|-------------|------|
|-------------|------|

| Catalog No. | Page |
|-------------|------|
|-------------|------|

Aluminum Cable Channel

ACC-③-④ 100
 ACCN-③-④ 100

A = Aluminum

CC = Ventilated
 CCN = Non-Ventilated

Steel Cable Channel

GCC-③-④ 100
 GCCN-③-④ 100
 PCC-③-④ 100
 PCCN-③-④ 100

G = Hot Dipped Galvanized
 P = Pre-Galvanized

CC = Ventilated
 CCN = Non-Ventilated

Stainless Steel Cable Channel

SS4CC-③-④ 100
 SS4CCN-③-④ 100
 SS6CC-③-④ 100
 SS6CCN-③-④ 100

SS4 = Stainless Steel 304
 SS6 = Stainless Steel 316

CC = Ventilated
 CCN = Non-Ventilated

| Catalog No. | Page |
|-------------|------|
|-------------|------|

Fiberglass Cable Channel

FCC-03-⑤ 352
 FCC-04-⑤ 352
 FCC-06-⑤ 352
 FCC-08-⑤ 352
 FCCA-03-⑤ 352
 FCCA-04-⑤ 352
 FCCA-06-⑤ 352
 FCCA-08-⑤ 352
 FCCAN-03-⑤ 352
 FCCAN-04-⑤ 352
 FCCAN-06-⑤ 352
 FCCAN-08-⑤ 352
 FCCN-03-⑤ 352
 FCCN-04-⑤ 352
 FCCN-06-⑤ 352
 FCCN-08-⑤ 352
 FCCV-03-⑤ 352
 FCCV-04-⑤ 352
 FCCV-06-⑤ 352
 FCCV-08-⑤ 352
 FCCVN-03-⑤ 352
 FCCVN-04-⑤ 352
 FCCVN-06-⑤ 352
 FCCVN-08-⑤ 352

FCC = Polyester Resin
 FCCA = Zero Halogen/Dis-Stat
 FCCV = Vinyl Ester Resin

CC = Ventilated
 CCN = Non-Ventilated

Flextray Straight Sections

FT1.5X4X10 46
 FT1.5X6X10 46
 FT1.5X8X10 46
 FT1.5X10X10 46
 FT2X2X10 46
 FT2X4X10 46
 FT2X6X10 46
 FT2X8X10 46
 FT2X12X10 46
 FT2X16X10 46
 FT2X18X10 46
 FT2X20X10 46
 FT2X24X10 46
 FT2X30X10 46
 FT2X22X10 46
 FT4X4X10 47
 FT4X6X10 47
 FT4X8X10 47
 FT4X12X10 47
 FT4X16X10 47
 FT4X18X10 47
 FT4X20X10 47
 FT4X24X10 47
 FT4X30X10 47
 FT6X8X10 47
 FT6X12X10 47
 FT6X16X10 47
 FT6X18X10 47
 FT6X20X10 47
 FT6X24X10 47

Index

Index - Straight Sections

Cent-R-Rail® Straight Sections

Prefix
Example: C0 A DT 09 - 12 - 144

① ② ③ ④ ⑤ ⑥

① Series ④ Rung Spacing
 ② Material ⑤ Width
 ③ Type ⑥ Length

Catalog No. Page

Aluminum Cent-R-Rail

C0A1H ④-⑤-⑥ 128 - 129
 C0A2M ④-⑤-⑥ 130 - 131 & 174
 C0A2V ④-⑤-⑥ 126 - 127 & 174
 C0A2VI ④-⑤-⑥ 175
 C0A3M ④-⑤-⑥ 130 - 131 & 174
 C0A3V ④-⑤-⑥ 126 - 127 & 174
 C0A3VI ④-⑤-⑥ 175
 C0A4M ④-⑤-⑥ 130 - 131 & 174
 C0A4V ④-⑤-⑥ 126 - 127 & 174
 C0A4VI ④-⑤-⑥ 175
 C0A5V ④-⑤-⑥ 126 - 127 & 174
 C0A5VI ④-⑤-⑥ 175
 C0A6V ④-⑤-⑥ 126 - 127 & 174
 C0A6VI ④-⑤-⑥ 175
 C0ADB ④-⑤-⑥ 124 - 125
 C0ADT ④-⑤-⑥ 124 - 125
 C2A2V ④-⑤-⑥ 126 - 127 & 174
 C2A2VI ④-⑤-⑥ 175
 C2A3V ④-⑤-⑥ 126 - 127 & 174
 C2A3VI ④-⑤-⑥ 175
 C2A4V ④-⑤-⑥ 126 - 127 & 174
 C2A4VI ④-⑤-⑥ 175
 C2A5V ④-⑤-⑥ 126 - 127 & 174
 C2A5VI ④-⑤-⑥ 175
 C2A6V ④-⑤-⑥ 126 - 127 & 174
 C2A6VI ④-⑤-⑥ 175
 C3A1H ④-⑤-⑥ 128-129
 C3A2M ④-⑤-⑥ 130 - 131 & 174
 C3A3M ④-⑤-⑥ 130 - 131 & 174
 C3A4M ④-⑤-⑥ 130 - 131 & 174

continued in next column

Catalog No. Page

C3ADB ④-⑤-⑥ 124 - 125
 C3ADT ④-⑤-⑥ 124 - 125
 C4A1H ④-⑤-⑥ 128 - 129
 C4A1V12-24-144 173
 C4A2M ④-⑤-⑥ 130 - 131 & 174
 C4A2V12-24-144 173
 C4A3M ④-⑤-⑥ 130 - 131 & 174
 C4A4M ④-⑤-⑥ 130 - 131 & 174
 C4ADB ④-⑤-⑥ 124 - 125
 C4ADT ④-⑤-⑥ 124 - 125
 C6A1H ④-⑤-⑥ 128 - 129
 C6ADB ④-⑤-⑥ 124 - 125
 C6ADT ④-⑤-⑥ 124 - 125

Index

Cable Tray Fittings

Prefix
Example: 4 * x - 24 - 90 HB 24

① ② ③ ④ ⑤ ⑥ ⑦

① Series/Height ④ Width
 ② Material ⑤ Angle
 ③ Bottom ⑥ Type (HB, VI, VO)

| Catalog No. | Page |
|---|-----------|
| Redi-Rail® Aluminum Cable Tray Fittings | |
| H1(†)AR ^{③-④-⑤} HB ^⑦ | 192 |
| H1(†)AR ^{③-④} HT ^⑦ | 193 - 195 |
| H1(†)AR ^{③-④} HX ^⑦ ... | 193 & 196 |
| H1(†)AR ^{③-④-⑤} VI ^⑦ .. | 197 - 200 |
| H1(†)AR ^{③-④-⑤} VO ^⑦ .. | 197 - 200 |
| H1(†)AR ^{③-④-⑤} VT ^⑦ | 201 |
| AR = Aluminum Redi-Rail | |
| (†) = Insert 4 for 4", 5 for 5", 6 for 6" or 7 for 7" side rail heights | |

| Series 2, 3, 4, & 5 Aluminum Cable Tray Fittings | |
|---|----------------|
| (†)A ^{③-④} CFS ^⑦ | 302 |
| (†)A ^{③-④-⑤} HB ^⑦ | 289 - 290 |
| (†)A ^{③-④} HT ^⑦ | 291, 293 - 294 |
| (†)A ^{③-④} HX ^⑦ | 291, 296 |
| (†)A ^{③-④} HYL | 296 |
| (†)A ^{③-④} HYR | 296 |
| (†)A ^{③-④} LR ^⑦ | 292 |
| (†)A ^{③-④} RR ^⑦ | 292 |
| (†)A ^{③-④} SR ^⑦ | 292 |
| (†)A ^{③-④-⑤} VI ^⑦ | 297 - 300 |
| (†)A ^{③-④-⑤} VO ^⑦ | 297 - 300 |
| (†)A ^{③-④} VT ^⑦ | 301 |
| (†)A ^{③-④} VTU ^⑦ | 301 |
| A = Aluminum | |
| (†) = Insert 4 for 4", 5 for 5", 6 for 6" or 7 for 7" side rail heights | |

| Catalog No. | Page |
|---|-----------|
| Series 1 Steel Cable Tray Fittings | |
| 14G ^{③-④} VBS ^⑦ | 224 |
| 1(†)G ^{③-④-⑤} HB ^⑦ | 217 |
| 1(†)G ^{③-④} HT ^⑦ | 218 |
| 1(†)G ^{③-④} HX ^⑦ | 218 |
| 1(†)G ^{③-④} LR ^⑦ | 219 |
| 1(†)G ^{③-④} RR ^⑦ | 219 |
| 1(†)G ^{③-④} SR ^⑦ | 219 |
| 1(†)G ^{③-④-⑤} VI ^⑦ | 220 - 223 |
| 1(†)G ^{③-④-⑤} VO ^⑦ | 220 - 223 |
| 14P ^{③-④} VBS ^⑦ | 224 |
| 1(†)P ^{③-④-⑤} HB ^⑦ | 217 |
| 1(†)P ^{③-④} HT ^⑦ | 218 |
| 1(†)P ^{③-④} HX ^⑦ | 218 |
| 1(†)P ^{③-④} LR ^⑦ | 219 |
| 1(†)P ^{③-④} RR ^⑦ | 219 |
| 1(†)P ^{③-④} SR ^⑦ | 219 |
| 1(†)P ^{③-④-⑤} VI ^⑦ | 220 - 223 |
| 1(†)P ^{③-④-⑤} VO ^⑦ | 220 - 223 |
| G = Hot-Dipped Galvanized Steel | |
| P = Pre-Galvanized Steel | |
| (†) = Insert 4 for 4", 5 for 5", 6 for 6" or 7 for 7" side rail heights | |

| Series 2, 3, 4, & 5 Steel Cable Tray Fittings | |
|--|----------------|
| (†)G ^{③-④} CFS ^⑦ | 302 |
| (†)G ^{③-④-⑤} HB ^⑦ | 289 - 290 |
| (†)G ^{③-④} HT ^⑦ | 291, 293 - 294 |
| (†)G ^{③-④} HX ^⑦ | 291, 295 |
| (†)G ^{③-④} HYL | 296 |
| (†)G ^{③-④} HYR | 296 |
| (†)G ^{③-④} LR ^⑦ | 292 |
| (†)G ^{③-④} RR ^⑦ | 292 |
| (†)G ^{③-④} SR ^⑦ | 292 |
| (†)G ^{③-④-⑤} VI ^⑦ | 297 - 300 |
| (†)G ^{③-④-⑤} VO ^⑦ | 297 - 300 |
| (†)G ^{③-④} VT ^⑦ | 301 |
| (†)G ^{③-④} VTU ^⑦ | 301 |
| (†)P ^{③-④} CFS ^⑦ | 302 |
| (†)P ^{③-④-⑤} HB ^⑦ | 289 - 290 |
| (†)P ^{③-④} HT ^⑦ | 291, 293 - 294 |
| (†)P ^{③-④} HX ^⑦ | 291, 295 |
| (†)P ^{③-④} HYL | 296 |
| (†)P ^{③-④} HYR | 296 |
| continued in next column | |

| Catalog No. | Page |
|---|-----------|
| (†)P ^{③-④} LR ^⑦ | 292 |
| (†)P ^{③-④} RR ^⑦ | 292 |
| (†)P ^{③-④} SR ^⑦ | 292 |
| (†)P ^{③-④-⑤} VI ^⑦ | 297 - 300 |
| (†)P ^{③-④-⑤} VO ^⑦ | 297 - 300 |
| (†)P ^{③-④} VT ^⑦ | 301 |
| (†)P ^{③-④} VTU ^⑦ | 301 |
| G = Hot-Dipped Galvanized Steel | |
| P = Pre-Galvanized Steel | |
| (†) = Insert 4 for 4", 5 for 5", 6 for 6" or 7 for 7" side rail heights | |

| Series 2, 3, 4, & 5 Stainless Steel Cable Tray Fittings | |
|---|----------------|
| (†)SS ^{③-④} CFS ^⑦ | 302 |
| (†)SS ^{③-④-⑤} HB ^⑦ | 289 - 290 |
| (†)SS ^{③-④} HT ^⑦ .. | 291, 293 - 294 |
| (†)SS ^{③-④} HX ^⑦ | 291, 295 |
| (†)SS ^{③-④} HYL | 296 |
| (†)SS ^{③-④} HYR | 296 |
| (†)SS ^{③-④} LR ^⑦ | 292 |
| (†)SS ^{③-④} RR ^⑦ | 292 |
| (†)SS ^{③-④} SR ^⑦ | 292 |
| (†)SS ^{③-④-⑤} VI ^⑦ | 297 - 300 |
| (†)SS ^{③-④-⑤} VO ^⑦ ... | 297 - 300 |
| (†)SS ^{③-④} VT ^⑦ | 301 |
| (†)SS ^{③-④} VTU ^⑦ | 301 |
| (†)SS ^{③-④} CFS ^⑦ | 302 |
| (†)SS ^{③-④-⑤} HB ^⑦ | 289 - 290 |
| (†)SS ^{③-④} HT ^⑦ .. | 291, 293 - 294 |
| (†)SS ^{③-④} HX ^⑦ | 291, 295 |
| (†)SS ^{③-④} HYL | 296 |
| (†)SS ^{③-④} HYR | 296 |
| (†)SS ^{③-④} LR ^⑦ | 292 |
| (†)SS ^{③-④} RR ^⑦ | 292 |
| (†)SS ^{③-④} SR ^⑦ | 292 |
| (†)SS ^{③-④-⑤} VI ^⑦ | 297 - 300 |
| (†)SS ^{③-④-⑤} VO ^⑦ ... | 297 - 300 |
| (†)SS ^{③-④} VT ^⑦ | 301 |
| (†)SS ^{③-④} VTU ^⑦ | 301 |
| SS4 = Stainless Steel 304 | |
| SS6 = Stainless Steel 316 | |
| (†) = Insert 4 for 4", 5 for 5", 6 for 6" or 7 for 7" side rail heights | |

Index

Cable Tray Fittings

Cable Channel Fittings

| Prefix | | | | | | |
|--------------------------------|---|---|---------------------|---|---|---|
| Example: 4 * x - 24 - 90 HB 24 | | | | | | |
| ① | ② | ③ | ④ | ⑤ | ⑥ | ⑦ |
| ① Series/Height | | | ④ Width | | | |
| ② Material | | | ⑤ Angle | | | |
| ③ Bottom | | | ⑥ Type (HB, VI, VO) | | | |
| | | | | ⑦ | | |

| Prefix | | | | | |
|-------------------------------|---|---|---------------------|---|---|
| Example: G CC - 04 - 45 VI 12 | | | | | |
| ① | ② | ③ | ④ | ⑤ | ⑥ |
| ① Material | | | ④ Angle | | |
| ② Series | | | ⑤ Type (HB, VI, VO) | | |
| ③ Width | | | ⑥ Radius | | |

| Catalog No. | Page |
|-------------|------|
|-------------|------|

Stainless Steel Cable Channel Fittings

| | |
|---------------------|-----------|
| SS4CC - ③ - ④ HB ⑥ | 106 - 107 |
| SS4CC - ③ HT ⑥ | 108 |
| SS4CC - ③ HX ⑥ | 108 |
| SS4CC - ③ - ④ VI ⑥ | 111 - 112 |
| SS4CC - ③ - ④ VO ⑥ | 109 - 110 |
| SS4CCN - ③ - ④ HB ⑥ | 106 - 107 |
| SS4CCN - ③ HT ⑥ | 108 |
| SS4CCN - ③ HX ⑥ | 108 |
| SS4CCN - ③ - ④ VI ⑥ | 111 - 112 |
| SS4CCN - ③ - ④ VO ⑥ | 109 - 110 |
| SS6CC - ③ - ④ HB ⑥ | 106 - 107 |
| SS6CC - ③ HT ⑥ | 108 |
| SS6CC - ③ HX ⑥ | 108 |
| SS6CC - ③ - ④ VI ⑥ | 111 - 112 |
| SS6CC - ③ - ④ VO ⑥ | 109 - 110 |
| SS6CCN - ③ - ④ HB ⑥ | 106 - 107 |
| SS6CCN - ③ HT ⑥ | 108 |
| SS6CCN - ③ HX ⑥ | 108 |
| SS6CCN - ③ - ④ VI ⑥ | 111 - 112 |
| SS6CCN - ③ - ④ VO ⑥ | 109 - 110 |

SS4 = Stainless Steel 304
SS6 = Stainless Steel 316

| Catalog No. | Page |
|-------------|------|
|-------------|------|

| Catalog No. | Page |
|-------------|------|
|-------------|------|

Fiberglass Cable Tray Fittings

| | |
|--------------------|----------------|
| (+)F - ④ - ⑤ HB ⑦ | 331 - 332 |
| (+)F - ④ - HT ⑦ | 333, 336 - 339 |
| (+)F - ④ - HX ⑦ | 334, 340 - 341 |
| (+)F - ④ - LR ⑦ | 335 |
| (+)F - ④ - RR ⑦ | 335 |
| (+)F - ④ - SR ⑦ | 335 |
| (+)F - ④ - ⑤ VI ⑦ | 342 - 345 |
| (+)F - ④ - ⑤ VO ⑦ | 342 - 345 |
| (+)F - ④ - VT ⑦ | 346 - 347 |
| (+)F - ④ - VTU ⑦ | 346 - 347 |
| (+)FA - ④ - ⑤ HB ⑦ | 331 - 332 |
| (+)FA - ④ - HT ⑦ | 333, 336 - 339 |
| (+)FA - ④ - HX ⑦ | 334, 340 - 341 |
| (+)FA - ④ - LR ⑦ | 335 |
| (+)FA - ④ - RR ⑦ | 335 |
| (+)FA - ④ - SR ⑦ | 335 |
| (+)FA - ④ - ⑤ VI ⑦ | 342 - 345 |
| (+)FA - ④ - ⑤ VO ⑦ | 342 - 345 |
| (+)FA - ④ - VT ⑦ | 346 - 347 |
| (+)FA - ④ - VTU ⑦ | 346 - 347 |
| (+)FV - ④ - ⑤ HB ⑦ | 331 - 332 |
| (+)FV - ④ - HT ⑦ | 333, 336 - 339 |
| (+)FV - ④ - HX ⑦ | 334, 340 - 341 |
| (+)FV - ④ - LR ⑦ | 335 |
| (+)FV - ④ - RR ⑦ | 335 |
| (+)FV - ④ - SR ⑦ | 335 |
| (+)FV - ④ - ⑤ VI ⑦ | 342 - 345 |
| (+)FV - ④ - ⑤ VO ⑦ | 342 - 345 |
| (+)FV - ④ - VT ⑦ | 346 - 347 |
| (+)FV - ④ - VTU ⑦ | 346 - 347 |

F = Polyester Resin,
FA = Zero Halogen/Dis-Stat
FV = Vinyl Ester Resin
(+) = Insert 3 for 3", 4 for 4", 6 for 6"
or 8 for 8" side rail heights

Aluminum Cable Channel Fittings

| | |
|-------------------|-----------|
| ACC - ③ - ④ HB ⑥ | 106 - 107 |
| ACC - ③ - ④ HC ⑥ | 104 |
| ACC - ③ HT ⑥ | 108 |
| ACC - ③ HTC ⑥ | 104 |
| ACC - ③ HX ⑥ | 108 |
| ACC - ③ HXC ⑥ | 104 |
| ACC - ③ PC ⑥ | 104 |
| ACC - ③ - ④ VC ⑥ | 104 |
| ACC - ③ - ④ VI ⑥ | 111 - 112 |
| ACC - ③ - ④ VO ⑥ | 110 - 110 |
| ACCN - ③ - ④ HB ⑥ | 106 - 107 |
| ACCN - ③ HT ⑥ | 108 |
| ACCN - ③ HX ⑥ | 108 |
| ACCN - ③ - ④ VI ⑥ | 111 - 112 |
| ACCN - ③ - ④ VO ⑥ | 109 - 110 |

A = Aluminum

Steel Cable Channel Fittings

| | |
|-------------------|-----------|
| GCC - ③ - ④ HB ⑥ | 106 - 107 |
| GCC - ③ - ④ HC ⑥ | 104 |
| GCC - ③ HT ⑥ | 108 |
| GCC - ③ HTC ⑥ | 104 |
| GCC - ③ HX ⑥ | 108 |
| GCC - ③ HXC ⑥ | 104 |
| GCC - ③ PC ⑥ | 104 |
| GCC - ③ - ④ VC ⑥ | 104 |
| GCC - ③ - ④ VI ⑥ | 111 - 112 |
| GCC - ③ - ④ VO ⑥ | 109 - 110 |
| GCCN - ③ - ④ HB ⑥ | 106 - 107 |
| GCCN - ③ HT ⑥ | 108 |
| GCCN - ③ HX ⑥ | 108 |
| GCCN - ③ - ④ VI ⑥ | 111 - 112 |
| GCCN - ③ - ④ VO ⑥ | 109 - 110 |

G = Hot-Dipped Galvanized Steel
Note: Not available in Pre-Galvanized

Fiberglass Cable Channel Fittings

| | |
|---------------------|-----|
| FCC(+)N-(xx)-45HB12 | 352 |
| FCC(+)N-(xx)-90HB12 | 352 |
| FCC(+)N-(xx)-HT12 | 352 |
| FCC(+)N-(xx)-HX12 | 352 |
| FCC(+)N-(xx)-45VI12 | 352 |
| FCC(+)N-(xx)-45VO12 | 352 |
| FCC(+)N-(xx)-90VI12 | 352 |
| FCC(+)N-(xx)-90VO12 | 352 |

(+) For Polyester Resin leave blank
FA = Zero Halogen/Dis-Stat
For Vinyl Ester Resin insert V
(xx) = Insert 03 for 3", 04 for 4",
06 for 6" or 08 for 8" side rail heights

Cable Tray Covers

Prefix
 Example: 801 * 20 - 24 - 144

① ② ③ ④ ⑤

① Series ④ Width
 ② Material ⑤ Length or
 ③ Thickness Fitting Type

| Catalog No. | Page |
|-------------|------|
|-------------|------|

Redi-Rail®
Aluminum Cable Tray Covers

887 A 40 - ④ - ⑤ 183

A = Aluminum

Contact Cooper B-Line Engineering for fitting cover information. See page 183 for fitting cover examples.

Series 2, 3, 4, & 5
Aluminum Cable Tray Covers

806 A 40 - ④ - ⑤ 247
 807 A 40 - ④ - ⑤ 247
 816 A 40 - ④ - ⑤ 247
 817 A 40 - ④ - ⑤ 247
 826 A 40 - ④ - ⑤ 247
 827 A 40 - ④ - ⑤ 247

A = Aluminum

Contact Cooper B-Line Engineering for fitting cover information. See page 247 for fitting cover examples.

| Catalog No. | Page |
|-------------|------|
|-------------|------|

Series 1
Steel Cable Tray Covers

801 G 18 - ④ - ⑤ 214
 801 P 20 - ④ - ⑤ 214
 809 G 18 - ④ - ⑤ 214
 809 P 20 - ④ - ⑤ 214
 811 G 18 - ④ - ⑤ 214
 811 P 20 - ④ - ⑤ 214
 819 G 18 - ④ - ⑤ 214
 819 P 20 - ④ - ⑤ 214

G = Hot Dipped Galvanized Steel
 P = Pre-Galvanized Steel

Contact Cooper B-Line Engineering for fitting cover information. See page 214 for fitting cover examples.

Series 2, 3, 4, & 5
Steel Cable Tray Covers

802 G 18 - ④ - ⑤ 269
 802 P 20 - ④ - ⑤ 269
 803 G 18 - ④ - ⑤ 269
 803 P 20 - ④ - ⑤ 269
 804 G 18 - ④ - ⑤ 269
 804 P 20 - ④ - ⑤ 269
 812 G 18 - ④ - ⑤ 269
 812 P 20 - ④ - ⑤ 269
 813 G 18 - ④ - ⑤ 269
 813 P 20 - ④ - ⑤ 269
 814 G 18 - ④ - ⑤ 269
 814 P 20 - ④ - ⑤ 269
 822 G 18 - ④ - ⑤ 269
 822 P 20 - ④ - ⑤ 269
 823 G 18 - ④ - ⑤ 269
 823 P 20 - ④ - ⑤ 269
 824 G 18 - ④ - ⑤ 269
 824 P 20 - ④ - ⑤ 269

G = Hot Dipped Galvanized Steel
 P = Pre-Galvanized Steel

Contact Cooper B-Line Engineering for fitting cover information. See page 269 for fitting cover examples.

| Catalog No. | Page |
|-------------|------|
|-------------|------|

Series 2, 3, 4, & 5
Stainless Steel Cable Tray Covers

802 SS4 20 - ④ - ⑤ 281
 802 SS6 20 - ④ - ⑤ 281
 803 SS4 20 - ④ - ⑤ 281
 803 SS6 20 - ④ - ⑤ 281
 804 SS4 20 - ④ - ⑤ 281
 804 SS6 20 - ④ - ⑤ 281
 812 SS4 20 - ④ - ⑤ 281
 812 SS6 20 - ④ - ⑤ 281
 813 SS4 20 - ④ - ⑤ 281
 813 SS6 20 - ④ - ⑤ 281
 814 SS4 20 - ④ - ⑤ 281
 814 SS6 20 - ④ - ⑤ 281
 822 SS4 20 - ④ - ⑤ 281
 822 SS6 20 - ④ - ⑤ 281
 823 SS4 20 - ④ - ⑤ 281
 823 SS6 20 - ④ - ⑤ 281
 824 SS4 20 - ④ - ⑤ 281
 824 SS6 20 - ④ - ⑤ 281

SS4 = Stainless Steel 304
 SS6 = Stainless Steel 316

Contact Cooper B-Line Engineering for fitting cover information. See page SST-12 for fitting cover examples.

Fiberglass Cable Tray Covers

F-C - ④ - ⑤ 348
 FA-C - ④ - ⑤ 348
 FAP-C - ④ - ⑤ 348
 FP-C - ④ - ⑤ 348
 FV-C - ④ - ⑤ 348
 FVP-C - ④ - ⑤ 348

F = Polyester Resin
 FA = Zero Halogen/Dis-Stat
 FV = Vinyl Ester Resin

C = Cover

Covers are flat unless a P is added to part number P = Peaked

Contact Cooper B-Line Engineering for fitting cover information.

Index

| Cable Channel Covers | Cent-R-Rail® Covers | | | | |
|---|---|-----------------|------|-------------|------|
| <p style="text-align: center;">Prefix</p> <p>Example: 808 * 20 - 04 - 120</p> <p style="text-align: center;">① ② ③ ④ ⑤</p> <p>① Series ④ Width ② Material ⑤ Length or ③ Thickness Fitting Type</p> | <table border="1" style="width: 100%; border-collapse: collapse;"> <thead> <tr> <th style="text-align: left;">Catalog No.</th> <th style="text-align: right;">Page</th> </tr> </thead> </table> | Catalog No. | Page | | |
| Catalog No. | Page | | | | |
| <p style="text-align: center;">Aluminum Cable Channel Covers</p> <p>808 A 40 - ④ - ⑤ 103</p> <p>A = Aluminum</p> <p>Contact Cooper B-Line Engineering for fitting cover information. See page 103 for fitting cover examples.</p> | <p>Bottom Rung Covers</p> <p>CAK1F-DB - ④ - ⑤ 156</p> <p>CPK1F-DB - ④ - ⑤ 156</p> <p>Top Rung Covers</p> <p>CAK1F-DT - ④ - ⑤ 156</p> <p>CPK1F-DT - ④ - ⑤ 156</p> <p>A = Aluminum P = Pre-Galvanized Steel</p> | | | | |
| <p style="text-align: center;">Steel Cable Channel Covers</p> <p>808 G 18 - ④ - ⑤ 103</p> <p>808 P 20 - ④ - ⑤ 103</p> <p>G = Hot Dipped Galvanized Steel P = Pre-Galvanized Steel</p> <p>Contact Cooper B-Line Engineering for fitting cover information. See page 103 for fitting cover examples.</p> | <table border="1" style="width: 100%; border-collapse: collapse;"> <thead> <tr> <th colspan="2" style="text-align: center;">Flextray Covers</th> </tr> <tr> <th style="text-align: left;">Catalog No.</th> <th style="text-align: right;">Page</th> </tr> </thead> </table> | Flextray Covers | | Catalog No. | Page |
| Flextray Covers | | | | | |
| Catalog No. | Page | | | | |
| <p style="text-align: center;">Stainless Steel Cable Channel Covers</p> <p>808 SS4 20 - ④ - ⑤ 103</p> <p>808 SS6 20 - ④ - ⑤ 103</p> <p>SS4 = Stainless Steel 304 SS6 = Stainless Steel 316</p> <p>Contact Cooper B-Line Engineering for fitting cover information. See page 103 for fitting cover examples.</p> | <p>2 IN COVER 81</p> <p>4 IN COVER 81</p> <p>6 IN COVER 81</p> <p>8 IN COVER 81</p> <p>12 IN COVER 81</p> <p>16 IN COVER 81</p> <p>18 IN COVER 81</p> <p>20 IN COVER 81</p> <p>24 IN COVER 81</p> | | | | |

Aluminum Redi-Rail™ Cable Tray Accessories

Not all accessories for Redi-Rail cable tray are aluminum only. Those finishes and part numbers will be listed in this section.

| Catalog No. | Page | Catalog No. | Page | Catalog No. | Page |
|------------------------------------|------|----------------------|----------|---------------------------|----------|
| Redi-Rail® Tray Accessories | | | | | |
| 73AR-Length | 185 | 9A-(tray width)-R064 | 183 | 9ZN-5106 | 181, 186 |
| 73AR-90HBFL | 185 | 9A-R064 | 180 | 9ZN-5106-WB | 181, 186 |
| 73AR-(angle)VI(radius) | 186 | 9A-R065 | 180 | 9ZN-5109 | 181, 186 |
| 73AR-(angle)VO(radius) | 186 | 9A-R066 | 180 | 9ZN-5109-WB | 181, 186 |
| 74AR-Length | 185 | 9A-R067 | 180 | 9ZN-5112 | 181, 186 |
| 74AR-90HBFL | 185 | 9A-(tray width)-R074 | 193 | 9ZN-5112-WB | 181, 186 |
| 74AR-(angle)VI(radius) | 186 | 9A-R074 Series | 181 | 9ZN-5118 | 181, 186 |
| 74AR-(angle)VO(radius) | 186 | 9A-R075 Series | 181 | 9ZN-5118-WB | 181, 186 |
| 75AR-Length | 185 | 9A-R076 Series | 181 | 9ZN-5124 | 181, 186 |
| 75AR-90HBFL | 185 | 9A-R077 Series | 181 | 9ZN-5124-WB | 181, 186 |
| 75AR-(angle)VI(radius) | 186 | 9A-R084 Series | 181 | 9ZN-9012 | 183 |
| 75AR-(angle)VO(radius) | 186 | 9A-R085 Series | 181 | 9ZN-LV1-1 | 182 |
| 76AR-Length | 185 | 9A-R086 Series | 181 | 9ZN-LV1A-1 | 182 |
| 76AR-90HBFL | 185 | 9A-R087 Series | 181 | 9ZN-MB1-4 | 182 |
| 76AR-(angle)VI(radius) | 186 | 9A-R104 Series | 181 | 9ZN-MB1-5 | 182 |
| 76AR-(angle)VO(radius) | 186 | 9A-R06RK | 184 | 9ZN-R238 | 181, 186 |
| 99-30 | 181 | 9A-R06SBERK | 184 | 9ZN-R250 | 181, 186 |
| 9A-9012 | 183 | 9A-R09RK | 184 | 9ZN-RR2RR | 186 |
| 9A-R004 | 180 | 9A-R09SBERK | 184 | BAX-4-16 | 182 |
| 9A-R005 | 180 | 9A-R12RK | 184 | BAX-4-16-24 | 182 |
| 9A-R006 | 180 | 9A-R12SBERK | 184 | BAX-4-16-32 | 182 |
| 9A-R007 | 180 | 9A-R18RK | 184 | BAX-4-16-48 | 182 |
| 9A-R014 | 180 | 9A-R18SBERK | 184 | BL1400 | 181 |
| 9A-R015 | 180 | 9A-R24RK | 184 | BL1410 | 181 |
| 9A-R016 | 180 | 9A-R24SBERK | 184 | BL1420 | 181 |
| 9A-R017 | 180 | 9A-R30RK | 184 | BL1430 | 181 |
| 9A-R024 | 180 | 9A-R30SBERK | 184 | U3A-CP | 185 |
| 9A-R025 | 180 | 9A-R36RK | 184 | U4A-CP | 185 |
| 9A-R026 | 180 | 9A-R36SBERK | 184 | U5A-CP | 185 |
| 9A-R027 | 180 | 9A-R964 | 180 | U6A-CP | 185 |
| 9A-R034 | 180 | 9A-R965 | 180 | UR(load depth)A-06 | 185 |
| 9A-R035 | 180 | 9A-R966 | 180 | UR(load depth)ASB-06 | 185 |
| 9A-R036 | 180 | 9A-R967 | 180 | UR(load depth)A-09 | 185 |
| 9A-R037 | 180 | 9A-RBC | 184 | UR(load depth)ASB-09 | 185 |
| 9A-(tray width)-R044 | 183 | 9A-RFM-12RK | 187 | UR(load depth)A-12 | 185 |
| 9A-R045 | 180 | 9A-RFM-24RK | 187 | UR(load depth)ASB-12 | 185 |
| 9A-R046 | 180 | 9A-RFM-36RK | 187 | UR(load depth)A-18 | 185 |
| 9A-R047 | 180 | 9A-SR0406 | 184 | UR(load depth)ASB-18 | 185 |
| 9A-(tray width)-R054 | 183 | 9A-SR0409 | 184 | UR(load depth)A-24 | 185 |
| 9A-R054 | 180 | 9A-SR0506 | 184 | UR(load depth)ASB-24 | 185 |
| 9A-R055 | 180 | 9A-SR0509 | 184 | | |
| 9A-R056 | 180 | 9G-1158 Series | 181 | A = Aluminum | |
| 9A-R057 | 180 | 9SS-R238 | 181, 186 | G = Hot-Dipped Galvanized | |
| 9A-R060 | 180 | 9SS-R250 | 181, 186 | SS = Stainless Steel 304 | |
| 9A-R061 | 180 | 9ZN-1204 | 181 | ZN = Zinc Plated | |
| 9A-R062 | 180 | 9ZN-1204NB | 181 | | |
| | | 9ZN-1420NB | 183 | | |

Series 2, 3, 4, & 5 Aluminum Cable Tray Accessories

Not all accessories for aluminum cable tray are aluminum only. Those finishes and part numbers will be listed in this section.

| Catalog No. | Page | Catalog No. | Page | Catalog No. | Page |
|----------------------------------|------|---------------------|------|------------------------|------|
| Aluminum Tray Accessories | | | | | |
| 73A-Length | 240 | 9A-1025 | 238 | 9A-2047 | 238 |
| 73A-90HBFL | 240 | 9A-1026 | 238 | 9A-2130 | 241 |
| 73A-(angle)VI(radius) | 240 | 9A-1027 | 238 | 9A-6006 | 238 |
| 73A-(angle)VO(radius) | 240 | 9A-1034 | 238 | 9A-6007 | 238 |
| 74A-Length | 240 | 9A-1034-12 | 238 | 9A-9012 | 248 |
| 74A-90HBFL | 240 | 9A-1034-36 | 238 | 9G-1158 Series | 239 |
| 74A-(angle)VI(radius) | 240 | 9A-1035 | 238 | 9G-1205 | 242 |
| 74A-(angle)VO(radius) | 240 | 9A-1035-12 | 238 | 9G-1249 | 242 |
| 75A-Length | 240 | 9A-1035-36 | 238 | 9G-1249HD | 242 |
| 75A-90HBFL | 240 | 9A-1036 | 238 | 9G-5324 | 241 |
| 75A-(angle)VI(radius) | 240 | 9A-1036-12 | 238 | 9G-5325 | 241 |
| 75A-(angle)VO(radius) | 240 | 9A-1036-36 | 238 | 9G-5326 | 241 |
| 76A-Length | 240 | 9A-1037 | 238 | 9G-5327 | 241 |
| 76A-90HBFL | 240 | 9A-1037-12 | 238 | 9G-5500-1/2 | 243 |
| 76A-(angle)VI(radius) | 240 | 9A-1037-36 | 238 | 9G-55xx-22SHA Series | 243 |
| 76A-(angle)VO(radius) | 240 | 9A-1045 | 238 | 9GRN-55xx-22SHA Series | 243 |
| 99-40 | 241 | 9A-1046 | 238 | 9P-55xx-22SH Series | 243 |
| 99-1124 | 240 | 9A-1047 | 238 | 9P-9043 | 248 |
| 99-1620 | 241 | 9A-1054 | 239 | 9P-9053 | 248 |
| 99-2125-15 | 239 | 9A-1055 | 239 | 9P-9063 | 248 |
| 99-9980-tray width | 248 | 9A-1056 | 239 | 9P-9073 | 248 |
| 99-9982 | 240 | 9A-1057 | 239 | 9SS4-1241 | 245 |
| 99-N1 | 241 | 9A-1060 | 238 | 9SS4-1242 | 245 |
| 99-NP300 | 242 | 9A-1061 | 238 | 9SS4-2351 | 241 |
| 99-NY36 | 242 | 9A-1062 | 238 | 9SS4-2352 | 241 |
| 99-PE34 | 242 | 9A-1064-reduction | 239 | 9SS6-1205 | 242 |
| 9A-tray width-9044 | 248 | 9A-1065-reduction | 239 | 9SS6-1241 | 245 |
| 9A-tray width-9044P | 248 | 9A-1066-reduction | 239 | 9SS6-1242 | 245 |
| 9A-tray width-9054 | 248 | 9A-1067-reduction | 239 | 9ZN-1150 Series | 239 |
| 9A-tray width-9054P | 248 | 9A-1074-tray width | 239 | 9ZN-1155 Series | 239 |
| 9A-tray width-9064 | 248 | 9A-1075-tray width | 239 | 9ZN-1204 | 242 |
| 9A-tray width-9064P | 248 | 9A-1076-tray width | 239 | 9ZN-1204NB | 242 |
| 9A-tray width-9064P | 248 | 9A-1077-tray width | 239 | 9ZN-1205 | 242 |
| 9A-tray width-9074 | 248 | 9A-1084-tray width | 239 | 9ZN-1208 | 242 |
| 9A-tray width-9074P | 248 | 9A-1085-tray width | 239 | 9ZN-1208NB | 242 |
| 9A-1004 | 238 | 9A-1086-tray width | 239 | 9ZN-1241 | 245 |
| 9A-1004-1/2 | 238 | 9A-1087-tray width | 239 | 9ZN-1242 | 245 |
| 9A-1005 | 238 | 9A-1104-tray width | 240 | 9ZN-1249 | 242 |
| 9A-1005-1/2 | 238 | 9A-1104T-tray width | 240 | 9ZN-1249HD | 242 |
| 9A-1006 | 238 | 9A-1205 | 242 | 9ZN-2351 | 241 |
| 9A-1006-1/2 | 238 | 9A-1224 | 245 | 9ZN-2352 | 241 |
| 9A-1007 | 238 | 9A-1225 | 245 | 9ZN-5200 | 244 |
| 9A-1007-1/2 | 238 | 9A-1226 | 245 | 9ZN-5212 | 244 |
| 9A-1014 | 238 | 9A-1227 | 245 | 9ZN-5224 | 244 |
| 9A-1015 | 238 | 9A-1240 | 239 | 9ZN-5324 | 241 |
| 9A-1016 | 238 | 9A-2044 | 238 | 9ZN-5325 | 241 |
| 9A-1017 | 238 | 9A-2045 | 238 | 9ZN-5326 | 241 |
| 9A-1024 | 238 | 9A-2046 | 238 | | |

continued on next page

| Aluminum Cable Tray Accessories | | Series 1 Steel Cable Tray Accessories | | | |
|---------------------------------|------|---|------|--------------------------|------------------------|
| | | <i>Not all accessories for steel cable tray are steel only. Those finishes and part numbers will be listed in this section.</i> | | | |
| Catalog No. | Page | Catalog No. | Page | Catalog No. | Page |
| 9ZN-5327 | 241 | Series 1 Steel Cable Tray Accessories | | | |
| 9ZN-5500-1/2 | 243 | 72G-Length | 211 | 9G-4006 | 208 |
| 9ZN-9002 | 240 | 72G-90HBFL | 211 | 9G-4007 | 208 |
| 9ZN-9012 | 248 | 72G-(angle)VI(radius) | 211 | 9G-4014 | 208 |
| 9ZN-9112 Series | 248 | 72G-(angle)VO(radius) | 211 | 9G-4015 | 208 |
| 9ZN-9113 Series | 248 | 72P-Length | 211 | 9G-4016 | 208 |
| ATR Series | 241 | 72P-90HBFL | 211 | 9G-4017 | 208 |
| B212-1/4 or 3/8 | 246 | 72P-(angle)VI(radius) | 211 | 9G-7024 | 208 |
| B297 Series | 245 | 72P-(angle)VO(radius) | 211 | 9G-8004 | 208 |
| B305-B308 | 246 | 737G-Length | 211 | 9G-8024 | 208 |
| B312 Series | 246 | 737G-90HBFL | 211 | 9G-8025 | 208 |
| B321 Series | 246 | 737G-(angle)VI(radius) | 211 | 9G-8026 | 208 |
| B355 | 246 | 737G-(angle)VO(radius) | 211 | 9G-8034 | 208 |
| B409 Series | 245 | 737P-Length | 211 | 9G-8034-12 | 208 |
| B409UF-12 or 21 | 245 | 737P-90HBFL | 211 | 9G-8034-36 | 208 |
| B441-22 | 246 | 737P-(angle)VI(radius) | 211 | 9G-8035 | 208 |
| B441-22A | 246 | 737P-(angle)VO(radius) | 211 | 9G-8035-12 | 208 |
| B494 Series | 244 | 747G-Length | 211 | 9G-8035-36 | 208 |
| B501 Series | 245 | 747G-90HBFL | 211 | 9G-8036 | 208 |
| B655-3/8 | 241 | 747G-(angle)VI(radius) | 211 | 9G-8036-12 | 208 |
| B655-1/2 | 241 | 747G-(angle)VO(radius) | 211 | 9G-8036-36 | 208 |
| B700-Jx Series | 246 | 747P-Length | 211 | 9G-8045 | 208 |
| B750-Jx Series | 246 | 747P-90HBFL | 211 | 9G-8046 | 208 |
| BP081SS | 241 | 747P-(angle)VI(radius) | 211 | 9G-8046 | 208 |
| BP110SS | 241 | 747P-(angle)VO(radius) | 211 | 9G-8054 | 209 |
| BP135SS | 241 | 757G-Length | 211 | 9G-8055 | 209 |
| BP175SS | 241 | 757G-90HBFL | 211 | 9G-8056 | 209 |
| BP205SS | 241 | 757G-(angle)VI(radius) | 211 | 9G-8060 | 208 |
| BP250SS | 241 | 757G-(angle)VO(radius) | 211 | 9G-8064-reduction | 209 |
| BP300SS | 241 | 757P-Length | 211 | 9G-8065-reduction | 209 |
| BP325SS | 241 | 757P-90HBFL | 211 | 9G-8066-reduction | 209 |
| BP375SS | 241 | 757P-(angle)VI(radius) | 211 | 9G-8074-tray width | 209 |
| BP425SS | 241 | 757P-(angle)VO(radius) | 211 | 9G-8075-tray width | 209 |
| BP475SS | 241 | 99-1124 | 211 | 9G-8076-tray width | 209 |
| DB10-28 | 243 | 99-2125-15 | 200 | 9G-8084-tray width | 209 |
| DB10-36 | 243 | 99-9982 | 211 | 9G-8085-tray width | 209 |
| DB10-42 | 243 | 99-N1 | 210 | 9G-8086-tray width | 209 |
| DB10-50 | 243 | 9A-2130 | 210 | 9G-8244 | 208 |
| DB10-60 | 243 | 9G-1104T-tray width | 211 | 9G-8245 | 208 |
| SFHN 3/8"-16 | 239 | 9G-1158 Series | 209 | 9G-8246 | 208 |
| SNCB 3/8" x 3/4" | 239 | 9G-2004-1/2 | 208 | 9G-9014 | 214 |
| | | 9G-2005-1/2 | 208 | 9G-9015 | 214 |
| A = Aluminum | | 9G-2006-1/2 | 208 | 9G-9016 | 214 |
| G = Hot-Dipped Galvanized | | 9G-2007-1/2 | 208 | 9G-9019 | 214 |
| GRN = Dura-Green Painted | | 9G-4004 | 208 | 9G-tray width-9040 | 214 |
| P = Pre-Galvanized Steel | | 9G-4005 | 208 | 9G-9043 | 214 |
| SS = Stainless Steel 304 | | | | 9G-tray width-9044 | 214 |
| SS4 = Stainless Steel 304 | | | | 9G-9053 | 214 |
| SS6 = Stainless Steel 316 | | | | | |
| ZN = Zinc Plated | | | | | |
| | | | | | continued on next page |

Index

Series 1 Steel Cable Tray Accessories

Not all accessories for steel cable tray are steel only. Those finishes and part numbers will be listed in this section.

| Catalog No. | Page | Catalog No. | Page | Catalog No. | Page |
|---------------------|------|---------------------|------|---------------------------|------|
| 9G-tray width-9054 | 214 | 9ZN-5112 | 210 | B312 Series | 213 |
| 9G-9063 | 214 | 9ZN-5112-WB | 210 | B321 Series | 213 |
| 9G-tray width-9064 | 214 | 9ZN-5118 | 210 | B351L Series | 213 |
| 9G-9243 | 214 | 9ZN-5118-WB | 210 | B409 Series | 212 |
| 9P-1104T-tray width | 211 | 9ZN-5124 | 210 | B409UF-Series | 212 |
| 9P-2004-1/2 | 208 | 9ZN-5124-WB | 210 | B441-22 Series | 212 |
| 9P-2005-1/2 | 208 | 9ZN-5324 | 210 | B441-22A Series | 212 |
| 9P-2006-1/2 | 208 | 9ZN-5325 | 210 | B494 Series | 212 |
| 9P-2007-1/2 | 208 | 9ZN-5326 | 210 | B655 Series | 210 |
| 9P-8054 | 209 | 9ZN-7024 | 208 | B701-Jx Series | 213 |
| 9P-8055 | 209 | 9ZN-8004 | 208 | B751-Jx Series | 213 |
| 9P-8056 | 209 | 9ZN-8024 | 208 | B752 | 213 |
| 9P-8064-reduction | 209 | 9ZN-8025 | 208 | B753 Series | 213 |
| 9P-8065-reduction | 209 | 9ZN-8026 | 208 | RNCB 3/8"-16 x 3/4" | 209 |
| 9P-8066-reduction | 209 | 9ZN-8034 | 208 | SFHN 3/8"-16 | 209 |
| 9P-8084-tray width | 209 | 9ZN-8034-12 | 208 | | |
| 9P-8085-tray width | 209 | 9ZN-8034-36 | 208 | A = Aluminum | |
| 9P-8086-tray width | 209 | 9ZN-8035 | 208 | G = Hot-Dipped Galvanized | |
| 9P-tray width-9040 | 214 | 9ZN-8035-12 | 208 | P = Pre-Galvanized Steel | |
| 9P-9043 | 214 | 9ZN-8035-36 | 208 | SS4 = Stainless Steel 304 | |
| 9P-tray width-9044 | 214 | 9ZN-8036 | 208 | ZN = Zinc Plated | |
| 9P-9053 | 214 | 9ZN-8036-12 | 208 | | |
| 9P-tray width-9054 | 214 | 9ZN-8036-36 | 208 | | |
| 9P-9063 | 214 | 9ZN-8045 | 208 | | |
| 9P-tray width-9064 | 214 | 9ZN-8046 | 208 | | |
| 9SS4-2351 | 210 | 9ZN-8060 | 208 | | |
| 9SS4-2352 | 210 | 9ZN-8074-tray width | 209 | | |
| 9ZN-1113 | 210 | 9ZN-8075-tray width | 209 | | |
| 9ZN-1150 Series | 209 | 9ZN-8076-tray width | 209 | | |
| 9ZN-1204 | 210 | 9ZN-8244 | 208 | | |
| 9ZN-1204NB | 210 | 9ZN-8245 | 208 | | |
| 9ZN-1208 | 210 | 9ZN-8246 | 208 | | |
| 9ZN-1208NB | 210 | 9ZN-9014 | 214 | | |
| 9ZN-2351 | 210 | 9ZN-9015 | 214 | | |
| 9ZN-2352 | 210 | 9ZN-9016 | 214 | | |
| 9ZN-4004 | 208 | 9ZN-9019 | 214 | | |
| 9ZN-4005 | 208 | 9ZN-9101 | 214 | | |
| 9ZN-4006 | 208 | 9ZN-9102 | 214 | | |
| 9ZN-4007 | 208 | 9ZN-9103 | 214 | | |
| 9ZN-4014 | 208 | 9ZN-9104 | 214 | | |
| 9ZN-4015 | 208 | 9ZN-9243 | 214 | | |
| 9ZN-4016 | 208 | ATR Series | 210 | | |
| 9ZN-4017 | 208 | B210 | 213 | | |
| 9ZN-5106 | 210 | B210A | 213 | | |
| 9ZN-5106-WB | 210 | B212 Series | 213 | | |
| 9ZN-5109 | 210 | B297 Series | 212 | | |
| 9ZN-5109-WB | 210 | B305-B308 | 213 | | |

Series 2, 3, 4, & 5 Steel Cable Tray Accessories

Not all accessories for steel cable tray are steel only. Those finishes and part numbers will be listed in this section.

| Catalog No. | Page | Catalog No. | Page | Catalog No. | Page |
|---|------|----------------------|------|------------------------|------|
| Series 2, 3, 4, & 5 Steel Cable Tray Accessories | | | | | |
| 73G-Length | 262 | 9G-1241 | 267 | 9G-8065-reduction | 261 |
| 73G-90HBFL | 262 | 9G-1242 | 267 | 9G-8066-reduction | 261 |
| 73G-(angle)VI(radius) | 262 | 9G-1249 | 264 | 9G-8067-reduction | 261 |
| 73G-(angle)VO(radius) | 262 | 9G-5324 | 263 | 9G-8074-tray width | 261 |
| 73P-Length | 262 | 9G-5325 | 263 | 9G-8075-tray width | 261 |
| 73P-90HBFL | 262 | 9G-5326 | 263 | 9G-8076-tray width | 261 |
| 73P-(angle)VI(radius) | 262 | 9G-5327 | 263 | 9G-8077-tray width | 261 |
| 73P-(angle)VO(radius) | 262 | 9G-5500-1/2 | 265 | 9G-8084-tray width | 261 |
| 74G-Length | 262 | 9G-55xx-22SHA Series | 265 | 9G-8085-tray width | 261 |
| 74G-90HBFL | 262 | 9G-8004 | 260 | 9G-8086-tray width | 261 |
| 74G-(angle)VI(radius) | 262 | 9G-8004-1/2 | 260 | 9G-8087-tray width | 261 |
| 74G-(angle)VO(radius) | 262 | 9G-8005 | 260 | 9G-8224 | 267 |
| 74P-Length | 262 | 9G-8005-1/2 | 260 | 9G-8225 | 267 |
| 74P-90HBFL | 262 | 9G-8006 | 260 | 9G-8226 | 267 |
| 74P-(angle)VI(radius) | 262 | 9G-8006-1/2 | 260 | 9G-8227 | 267 |
| 74P-(angle)VO(radius) | 262 | 9G-8007 | 260 | 9G-8244 | 260 |
| 75G-Length | 262 | 9G-8007-1/2 | 260 | 9G-8245 | 260 |
| 75G-90HBFL | 262 | 9G-8014 | 260 | 9G-8246 | 260 |
| 75G-(angle)VI(radius) | 262 | 9G-8015 | 260 | 9G-8247 | 260 |
| 75G-(angle)VO(radius) | 262 | 9G-8016 | 260 | 9G-9014 | 270 |
| 75P-Length | 262 | 9G-8017 | 260 | 9G-9015 | 270 |
| 75P-90HBFL | 262 | 9G-8024 | 260 | 9G-9016 | 270 |
| 75P-(angle)VI(radius) | 262 | 9G-8025 | 260 | 9G-9017 | 270 |
| 75P-(angle)VO(radius) | 262 | 9G-8026 | 260 | 9G-9043 | 270 |
| 76G-Length | 262 | 9G-8027 | 260 | 9G-tray width-9044 | 270 |
| 76G-90HBFL | 262 | 9G-8034 | 260 | 9G-tray width-9044P | 270 |
| 76G-(angle)VI(radius) | 262 | 9G-8034-12 | 260 | 9G-9053 | 270 |
| 76G-(angle)VO(radius) | 262 | 9G-8034-36 | 260 | 9G-tray width-9054 | 270 |
| 76P-Length | 262 | 9G-8035 | 260 | 9G-tray width-9054P | 270 |
| 76P-90HBFL | 262 | 9G-8035-12 | 260 | 9G-9063 | 270 |
| 76P-(angle)VI(radius) | 262 | 9G-8035-36 | 260 | 9G-tray width-9064 | 270 |
| 76P-(angle)VO(radius) | 262 | 9G-8036 | 260 | 9G-tray width-9064P | 270 |
| 99-1124 | 262 | 9G-8036-12 | 260 | 9G-9073 | 270 |
| 99-2125-15 | 261 | 9G-8036-36 | 260 | 9G-tray width-9074 | 270 |
| 99-9980-tray width | 270 | 9G-8037 | 260 | 9G-tray width-9074P | 270 |
| 99-9982 | 262 | 9G-8037-12 | 260 | 9GRN-55xx-22SHA Series | 265 |
| 99-N1 | 263 | 9G-8037-36 | 260 | 9P-1104-tray width | 262 |
| 99-NP300 | 264 | 9G-8045 | 260 | 9P-1104T-tray width | 262 |
| 99-NY36 | 264 | 9G-8046 | 260 | 9P-55xx-22SH Series | 265 |
| 9A-1205 | 264 | 9G-8047 | 260 | 9P-8024 | 260 |
| 9A-2130 | 263 | 9G-8054 | 261 | 9P-8025 | 260 |
| 9G-1104-tray width | 262 | 9G-8055 | 261 | 9P-8026 | 260 |
| 9G-1104T-tray width | 262 | 9G-8056 | 261 | 9P-8027 | 260 |
| 9G-1158 Series | 261 | 9G-8057 | 261 | 9P-8054 | 261 |
| 9G-1205 | 264 | 9G-8060 | 260 | 9P-8055 | 261 |
| 9G-1240 | 261 | 9G-8061 | 260 | 9P-8056 | 261 |
| | | 9G-8062 | 260 | 9P-8057 | 261 |
| | | 9G-8064-reduction | 261 | 9P-8064-reduction | 261 |

continued on next page

Index - Accessories

Series 2, 3, 4, & 5 Steel Cable Tray Accessories

Not all accessories for steel cable tray are steel only. Those finishes and part numbers will be listed in this section.

| Catalog No. | Page | Catalog No. | Page | Catalog No. | Page |
|---------------------|------|---------------------|------|---------------------------|------|
| 9P-8065-reduction | 261 | 9ZN-1241 | 267 | 9ZN-8225 | 267 |
| 9P-8066-reduction | 261 | 9ZN-1242 | 267 | 9ZN-8226 | 267 |
| 9P-8067-reduction | 261 | 9ZN-1249 | 264 | 9ZN-8227 | 267 |
| 9P-8084-tray width | 261 | 9ZN-2351 | 263 | 9ZN-8244 | 260 |
| 9P-8085-tray width | 261 | 9ZN-2352 | 263 | 9ZN-8245 | 260 |
| 9P-8086-tray width | 261 | 9ZN-5200 | 266 | 9ZN-8246 | 260 |
| 9P-8087-tray width | 261 | 9ZN-5212 | 266 | 9ZN-8247 | 260 |
| 9P-9043 | 270 | 9ZN-5224 | 266 | 9ZN-9002 | 262 |
| 9P-tray width-9044 | 270 | 9ZN-5324 | 263 | 9ZN-9014 | 270 |
| 9P-tray width-9044P | 270 | 9ZN-5325 | 263 | 9ZN-9015 | 270 |
| 9P-9053 | 270 | 9ZN-5326 | 263 | 9ZN-9016 | 270 |
| 9P-tray width-9054 | 270 | 9ZN-5327 | 263 | 9ZN-9017 | 270 |
| 9P-tray width-9054P | 270 | 9ZN-5500-1/2 | 265 | 9ZN-9101 | 270 |
| 9P-9063 | 270 | 9ZN-8004 | 260 | 9ZN-9102 | 270 |
| 9P-tray width-9064 | 270 | 9ZN-8004-1/2 | 260 | 9ZN-9103 | 270 |
| 9P-tray width-9064P | 270 | 9ZN-8005 | 260 | 9ZN-9104 | 270 |
| 9P-9073 | 270 | 9ZN-8005-1/2 | 260 | 9ZN-9114 Series | 270 |
| 9P-tray width-9074 | 270 | 9ZN-8006 | 260 | 9ZN-9115 Series | 270 |
| 9P-tray width-9074P | 270 | 9ZN-8006-1/2 | 260 | ATR Series | 263 |
| 9SS4-2351 | 263 | 9ZN-8007 | 260 | B212 Series | 268 |
| 9SS4-2352 | 263 | 9ZN-8007-1/2 | 260 | B297 Series | 267 |
| 9SS4-4050 | 263 | 9ZN-8014 | 260 | B305-B308 | 268 |
| 9SS4-4075 | 263 | 9ZN-8015 | 260 | B312 Series | 268 |
| 9SS4-4100 | 263 | 9ZN-8016 | 260 | B321 Series | 268 |
| 9SS4-4125 | 263 | 9ZN-8017 | 260 | B355 Series | 268 |
| 9SS4-4150 | 263 | 9ZN-8034 | 260 | B409 Series | 267 |
| 9SS4-4175 | 263 | 9ZN-8034-12 | 260 | B409UF-Series | 267 |
| 9SS4-4200 | 263 | 9ZN-8034-36 | 260 | B441-22 Series | 268 |
| 9SS4-4225 | 263 | 9ZN-8035 | 260 | B441-22A Series | 268 |
| 9SS4-4250 | 263 | 9ZN-8035-12 | 260 | B494 Series | 266 |
| 9SS4-4275 | 263 | 9ZN-8035-36 | 260 | B501 Series | 267 |
| 9SS4-4300 | 263 | 9ZN-8036 | 260 | B655 Series | 263 |
| 9SS4-4325 | 263 | 9ZN-8036-12 | 260 | B700-Jx Series | 268 |
| 9SS4-4350 | 263 | 9ZN-8036-36 | 260 | B750-Jx Series | 268 |
| 9SS4-4375 | 263 | 9ZN-8037 | 260 | DB10-28 | 265 |
| 9SS4-4400 | 263 | 9ZN-8037-12 | 260 | DB10-36 | 265 |
| 9SS4-4425 | 263 | 9ZN-8037-36 | 260 | DB10-42 | 265 |
| 9SS4-4450 | 263 | 9ZN-8045 | 260 | DB10-50 | 265 |
| 9SS4-4475 | 263 | 9ZN-8046 | 260 | DB10-60 | 265 |
| 9SS6-1205 | 264 | 9ZN-8047 | 260 | RNCB 3/8"-16 x 3/4" | 261 |
| 9ZN-1150 Series | 261 | 9ZN-8060 | 260 | SFHN 3/8"-16 | 261 |
| 9ZN-1155 Series | 261 | 9ZN-8061 | 260 | | |
| 9ZN-1204 | 264 | 9ZN-8062 | 260 | A = Aluminum | |
| 9ZN-1204NB | 264 | 9ZN-8074-tray width | 261 | G = Hot-Dipped Galvanized | |
| 9ZN-1205 | 264 | 9ZN-8075-tray width | 261 | GRN = Dura-Green Painted | |
| 9ZN-1208 | 264 | 9ZN-8076-tray width | 261 | P = Pre-Galvanized Steel | |
| 9ZN-1208NB | 264 | 9ZN-8077-tray width | 261 | SS4 = Stainless Steel 304 | |
| 9ZN-1240 | 261 | 9ZN-8224 | 267 | SS6 = Stainless Steel 316 | |
| | | | | ZN = Zinc Plated | |

Series 2, 3, 4, & 5 Stainless Steel Cable Tray Accessories

Not all accessories for steel cable tray are steel only. Those finishes and part numbers will be listed in this section.

| Catalog No. | Page | Catalog No. | Page | Catalog No. | Page |
|---|------|----------------------|------|-----------------------|------|
| Series 2, 3, 4, & 5 Stainless Steel Cable Tray Accessories | | | | | |
| 73SS4-Length | 279 | 9SS4-4325 | 280 | 9SS4-9002 | 279 |
| 73SS4-90HBFL | 279 | 9SS4-4350 | 280 | 9SS4-9043 | 284 |
| 73SS4-(angle)VI(radius) | 279 | 9SS4-4375 | 280 | 9SS4-tray width-9044 | 284 |
| 73SS4-(angle)VO(radius) | 279 | 9SS4-4400 | 280 | 9SS4-tray width-9044P | 284 |
| 73SS6-Length | 279 | 9SS4-4425 | 280 | 9SS4-9053 | 284 |
| 73SS6-90HBFL | 279 | 9SS4-4450 | 280 | 9SS4-tray width-9054 | 284 |
| 73SS6-(angle)VI(radius) | 279 | 9SS4-4475 | 280 | 9SS4-tray width-9054P | 284 |
| 73SS6-(angle)VO(radius) | 279 | 9SS4-8004 | 277 | 9SS4-9063 | 284 |
| 74SS4-Length | 279 | 9SS4-8004-1/2 | 277 | 9SS4-tray width-9064 | 284 |
| 74SS4-90HBFL | 279 | 9SS4-8005 | 277 | 9SS4-tray width-9064P | 284 |
| 74SS4-(angle)VI(radius) | 279 | 9SS4-8005-1/2 | 277 | 9SS4-9101 | 284 |
| 74SS4-(angle)VO(radius) | 279 | 9SS4-8006 | 277 | 9SS4-9102 | 284 |
| 74SS6-Length | 279 | 9SS4-8006-1/2 | 277 | 9SS4-9103 | 284 |
| 74SS6-90HBFL | 279 | 9SS4-8014 | 277 | 9SS4-9104 | 284 |
| 74SS6-(angle)VI(radius) | 279 | 9SS4-8015 | 277 | 9SS4-9115 Series | 284 |
| 74SS6-(angle)VO(radius) | 279 | 9SS4-8016 | 277 | 9SS6-1104-tray width | 279 |
| 75SS4-Length | 279 | 9SS4-8024 | 277 | 9SS6-1205 | 280 |
| 75SS4-90HBFL | 279 | 9SS4-8025 | 277 | 9SS6-1240 | 278 |
| 75SS4-(angle)VI(radius) | 279 | 9SS4-8026 | 277 | 9SS6-1241 | 282 |
| 75SS4-(angle)VO(radius) | 279 | 9SS4-8034 | 277 | 9SS6-1242 | 282 |
| 75SS6-Length | 279 | 9SS4-8034-12 | 277 | 9SS6-8004 | 277 |
| 75SS6-90HBFL | 279 | 9SS4-8034-36 | 277 | 9SS6-8004-1/2 | 277 |
| 75SS6-(angle)VI(radius) | 279 | 9SS4-8035 | 277 | 9SS6-8005 | 277 |
| 75SS6-(angle)VO(radius) | 279 | 9SS4-8035-12 | 277 | 9SS6-8005-1/2 | 277 |
| 75SS6-(angle)VO(radius) | 279 | 9SS4-8035-36 | 277 | 9SS6-8006 | 277 |
| 99-2125-15 | 278 | 9SS4-8036 | 277 | 9SS6-8006-1/2 | 277 |
| 99-9980-tray width | 284 | 9SS4-8036-12 | 277 | 9SS6-8014 | 277 |
| 99-9982 | 279 | 9SS4-8036-36 | 277 | 9SS6-8015 | 277 |
| 99-NP300 | 280 | 9SS4-8045 | 277 | 9SS6-8016 | 277 |
| 99-NY36 | 280 | 9SS4-8046 | 277 | 9SS6-8024 | 277 |
| 9G-1158 Series | 278 | 9SS4-8054 | 278 | 9SS6-8025 | 277 |
| 9G-1249 | 280 | 9SS4-8055 | 278 | 9SS6-8026 | 277 |
| 9SS4-1104-tray width | 279 | 9SS4-8056 | 278 | 9SS6-8034 | 277 |
| 9SS4-1150 Series | 278 | 9SS4-8060 | 277 | 9SS6-8034-12 | 277 |
| 9SS4-1155 Series | 278 | 9SS4-8064 | 278 | 9SS6-8034-36 | 277 |
| 9SS4-1240 | 278 | 9SS4-8065 | 278 | 9SS6-8035 | 277 |
| 9SS4-1241 | 282 | 9SS4-8066 | 278 | 9SS6-8035-12 | 277 |
| 9SS4-1242 | 282 | 9SS4-8074-tray width | 278 | 9SS6-8035-36 | 277 |
| 9SS4-4050 | 280 | 9SS4-8075-tray width | 278 | 9SS6-8036 | 277 |
| 9SS4-4075 | 280 | 9SS4-8076-tray width | 278 | 9SS6-8036-12 | 277 |
| 9SS4-4100 | 280 | 9SS4-8084-tray width | 278 | 9SS6-8036-36 | 277 |
| 9SS4-4125 | 280 | 9SS4-8085-tray width | 278 | 9SS6-8045 | 277 |
| 9SS4-4150 | 280 | 9SS4-8086-tray width | 278 | 9SS6-8046 | 277 |
| 9SS4-4175 | 280 | 9SS4-8224 | 280 | 9SS6-8054 | 278 |
| 9SS4-4200 | 280 | 9SS4-8225 | 280 | 9SS6-8055 | 278 |
| 9SS4-4225 | 280 | 9SS4-8226 | 280 | 9SS6-8056 | 278 |
| 9SS4-4250 | 280 | 9SS4-8227 | 280 | 9SS6-8060 | 277 |
| 9SS4-4275 | 280 | 9SS4-8244 | 277 | 9SS6-8064 | 278 |
| 9SS4-4300 | 280 | 9SS4-8245 | 277 | 9SS6-8065 | 278 |
| | | 9SS4-8246 | 277 | 9SS6-8066 | 278 |

continued on next page

Index - Accessories

| Stainless Steel Cable Tray Accessories | | Fiberglass Cable Tray Accessories | | | |
|---|------|--|------|---------------|------|
| Catalog No. | Page | Catalog No. | Page | Catalog No. | Page |
| | | Fiberglass Cable Tray Accessories | | | |
| 9SS6-8074-tray width | 278 | 9(x)-1083-W | 349 | 9(x)-8056 | 349 |
| 9SS6-8075-tray width | 278 | 9(x)-1084-W | 349 | 9(x)-8058 | 349 |
| 9SS6-8076-tray width | 278 | 9(x)-1086-W | 349 | 9(x)-8063 | 349 |
| 9SS6-8084-tray width | 278 | 9(x)-1088-W | 349 | 9(x)-8064 | 349 |
| 9SS6-8085-tray width | 278 | 9(x)-1104-W | 351 | 9(x)-8084 | 349 |
| 9SS6-8086-tray width | 278 | 9F-1208 | 351 | 9(x)-8086 | 349 |
| 9SS6-8224 | 280 | 9F-2008 | 351 | 9(x)-8306H | 350 |
| 9SS6-8225 | 280 | 9F-2009 | 351 | 9(x)-8306V | 350 |
| 9SS6-8226 | 280 | 9F-2010 | 351 | 9(x)-8308H | 350 |
| 9SS6-8227 | 280 | 9F-2011 | 351 | 9(x)-8308V | 350 |
| 9SS6-8244 | 277 | 9F-2012 | 351 | 9(x)-8456H | 350 |
| 9SS6-8245 | 277 | 9F-2013 | 351 | 9(x)-8456V | 350 |
| 9SS6-8246 | 277 | 9F-2014 | 351 | 9(x)-8458H | 350 |
| 9SS6-9002 | 279 | 9F-2015 | 351 | 9(x)-8458V | 350 |
| 9SS6-9014 | 284 | 9F-2016 | 351 | 9(x)-8906H | 350 |
| 9SS6-9015 | 284 | 9F-2017 | 351 | 9(x)-8906V | 350 |
| 9SS6-9016 | 284 | 9(x)-4003 | 349 | 9(x)-8908H | 350 |
| 9SS6-9043 | 284 | 9(x)-4004 | 349 | 9(x)-8908V | 350 |
| 9SS6-tray width-9044 | 284 | 9(x)-4013 | 349 | 9(x)-9013 | 348 |
| 9SS6-tray width-9044P | 284 | 9(x)-4014 | 349 | 9(x)-9014 | 348 |
| 9SS6-9053 | 284 | 9(x)-4023 | 349 | 9(x)-9015 | 348 |
| 9SS6-tray width-9054 | 284 | 9(x)-4024 | 349 | 9F-W-9034 | 348 |
| 9SS6-tray width-9054P | 284 | 9(x)-4033 | 349 | 9F-W-9034P | 348 |
| 9SS6-9063 | 284 | 9(x)-4034 | 349 | 9F-W-9044 | 348 |
| 9SS6-tray width-9064 | 284 | 9(x)-4043 | 349 | 9F-W-9044P | 348 |
| 9SS6-tray width-9064P | 284 | 9(x)-4053 | 349 | 9F-W-9064 | 348 |
| 9SS6-9101 | 284 | 9(x)-4054 | 349 | 9F-W-9064P | 348 |
| 9SS6-9102 | 284 | 9(x)-4303H | 350 | 9F-W-9084 | 348 |
| 9SS6-9103 | 284 | 9(x)-4303V | 350 | 9F-W-9084P | 348 |
| 9SS6-9104 | 284 | 9(x)-4304H | 350 | 72(x)-120 | 351 |
| 9SS6-9115 Series | 284 | 9(x)-4304V | 350 | 72(x)-90HBLF | 351 |
| ATR Series | 280 | 9(x)-4453H | 350 | 72(x)-90VI-24 | 351 |
| B212 Series | 282 | 9(x)-4453V | 350 | 72(x)-90VO-24 | 351 |
| B297 Series | 281 | 9(x)-4454H | 350 | 73(x)-120 | 351 |
| B355 Series | 282 | 9(x)-4454V | 350 | 73(x)-90HBLF | 351 |
| B409 Series | 281 | 9(x)-4903H | 350 | 73(x)-90VI-24 | 351 |
| B441-22 Series | 282 | 9(x)-4903V | 350 | 73(x)-90VO-24 | 351 |
| B441-22A Series | 282 | 9(x)-4904H | 350 | 74(x)-120 | 351 |
| B494 Series | 281 | 9(x)-4904V | 350 | 75(x)-90HBLF | 351 |
| B655 Series | 280 | 9(x)-8006 | 349 | 75(x)-90VI-24 | 351 |
| DB10-28 | 281 | 9(x)-8008 | 349 | 75(x)-90VO-24 | 351 |
| DB10-36 | 281 | 9(x)-8016 | 349 | 77(x)-90HBLF | 351 |
| DB10-42 | 281 | 9(x)-8018 | 349 | RSK-010 | 351 |
| DB10-50 | 281 | 9(x)-8026 | 349 | TPDR | 348 |
| DB10-60 | 281 | 9(x)-8028 | 349 | | |
| RNCB 3/8"-16 x 3/4" | 278 | 9(x)-8036 | 349 | | |
| SFHN 3/8"-16 | 278 | 9(x)-8038 | 349 | | |
| G = Hot-Dipped Galvanized SS4 = Stainless Steel 304 SS6 = Stainless Steel 316 | | (x) = Insert F for Polyester Resin Insert A for Zero Halogen/Dis-Stat Insert V for Vinyl Ester Resin | | | |

| Cable Channel Accessories | | | | | |
|---|------|--|------|----------------------|------|
| Catalog No. | Page | Catalog No. | Page | Catalog No. | Page |
| Aluminum Cable Channel Accessories | | 9ZN-1232-4 | 102 | 9G-1843 | 101 |
| 99-1125 | 102 | 9ZN-1232-6 | 102 | 9G-1844 | 101 |
| 9A-1043 | 101 | B185CCL | 102 | 9G-1846 | 101 |
| 9A-1044 | 101 | B409-6 | 102 | 9G-3305-3 | 102 |
| 9A-1044-6 | 101 | B409-9 | 102 | 9G-3305-4 | 102 |
| 9A-1237-3 | 101 | A = Aluminum | | 9G-3305-6 | 102 |
| 9A-1237-4 | 101 | G = Hot-Dipped Galvanized | | 9G-9023 | 103 |
| 9A-1237-6 | 101 | ZN = Zinc Plated | | 9G-9024 | 103 |
| 9A-1243 | 102 | Steel Cable Channel Accessories | | 9G-9033 | 103 |
| 9A-1244 | 102 | 99-1125 | 102 | 9G-9034 | 103 |
| 9A-1245 | 102 | 9G-1043 | 101 | 9G-9036 | 103 |
| 9A-1246 | 102 | 9G-1044 | 101 | 9P-1043 | 101 |
| 9A-1261-3 | 101 | 9G-1044-6 | 101 | 9P-1044 | 101 |
| 9A-1261-4 | 101 | 9G-1231-3 & 4 | 102 | 9P-1044-6 | 101 |
| 9A-1261-6 | 101 | 9G-1231-6 | 102 | 9P-1261-3 | 101 |
| 9A-1543 | 101 | 9G-1232-3 | 102 | 9P-1261-4 | 101 |
| 9A-1544 | 101 | 9G-1232-4 | 102 | 9P-1261-6 | 101 |
| 9A-1546 | 101 | 9G-1232-6 | 102 | 9P-1543 | 101 |
| 9A-1583 | 101 | 9G-1237-3 | 101 | 9P-1544 | 101 |
| 9A-1584 | 101 | 9G-1237-4 | 101 | 9P-1546 | 101 |
| 9A-1586 | 101 | 9G-1237-6 | 101 | 9P-1583 | 101 |
| 9A-1643 | 101 | 9G-1243 | 102 | 9P-1584 | 101 |
| 9A-1644 | 101 | 9G-1244 | 102 | 9P-1586 | 101 |
| 9A-1646 | 101 | 9G-1245 | 102 | 9P-1643 | 101 |
| 9A-1743 | 101 | 9G-1246 | 102 | 9P-1644 | 101 |
| 9A-1744 | 101 | 9G-1261-3 | 101 | 9P-1646 | 101 |
| 9A-1746 | 101 | 9G-1261-4 | 101 | 9P-1743 | 101 |
| 9A-1843 | 101 | 9G-1261-6 | 101 | 9P-1744 | 101 |
| 9A-1844 | 101 | 9G-1543 | 101 | 9P-1746 | 101 |
| 9A-1846 | 101 | 9G-1544 | 101 | 9P-1843 | 101 |
| 9A-3305-3 | 102 | 9G-1546 | 101 | 9P-1844 | 101 |
| 9A-3305-4 | 102 | 9G-1583 | 101 | 9P-1846 | 101 |
| 9A-3305-6 | 102 | 9G-1584 | 101 | 9P-9023 | 103 |
| 9A-9023 | 103 | 9G-1586 | 101 | 9P-9024 | 103 |
| 9A-9024 | 103 | 9G-1643 | 101 | 9P-9033 | 103 |
| 9A-9033 | 103 | 9G-1644 | 101 | 9P-9034 | 103 |
| 9A-9034 | 103 | 9G-1646 | 101 | 9P-9036 | 103 |
| 9A-9036 | 108 | 9G-1743 | 101 | 9ZN-1231-3 & 4 | 102 |
| 9G-1231-3 & 4 | 102 | 9G-1744 | 101 | 9ZN-1231-6 | 102 |
| 9G-1231-6 | 102 | 9G-1746 | 101 | 9ZN-1232-3 | 102 |
| 9G-1232-3 | 102 | | | 9ZN-1232-4 | 102 |
| 9G-1232-4 | 102 | | | 9ZN-1232-6 | 102 |
| 9G-1232-6 | 102 | | | 9ZN-1237-3 | 101 |
| 9ZN-1231-3 & 4 | 102 | | | 9ZN-1237-4 | 101 |
| 9ZN-1231-6 | 102 | | | 9ZN-1237-6 | 101 |
| 9ZN-1232-3 | 102 | | | 9ZN-1243 | 102 |
| 9ZN-1232-4 | 102 | | | | |
| 9ZN-1232-6 | 102 | | | | |
| 9ZN-1237-3 | 101 | | | | |
| 9ZN-1237-4 | 101 | | | | |
| 9ZN-1237-6 | 101 | | | | |
| 9ZN-1243 | 102 | | | | |

continued on next page

Cable Channel Accessories

| Catalog No. | Page | Catalog No. | Page | Catalog No. | Page |
|-------------|------|-------------|------|----------------|------|
| 9ZN-1244 | 102 | 9SS4-1744 | 101 | 9SS6-9034 | 103 |
| 9ZN-1245 | 102 | 9SS4-1746 | 101 | 9SS6-9036 | 103 |
| 9ZN-1246 | 102 | 9SS4-1843 | 101 | 9ZN-1231-3 & 4 | 102 |
| 9ZN-3305-3 | 102 | 9SS4-1844 | 101 | 9ZN-1231-6 | 102 |
| 9ZN-3305-4 | 102 | 9SS4-1846 | 101 | 9ZN-1232-3 | 102 |
| 9ZN-3305-6 | 102 | 9SS4-3305-3 | 102 | 9ZN-1232-4 | 102 |
| B185CCL | 102 | 9SS4-3305-4 | 102 | 9ZN-1232-6 | 102 |
| B409-6 | 102 | 9SS4-3305-6 | 102 | B185CCL | 102 |
| B409-9 | 102 | 9SS4-9023 | 103 | B409-6 | 102 |
| | | 9SS4-9024 | 103 | B409-9 | 102 |
| | | 9SS4-9033 | 103 | | |
| | | 9SS4-9034 | 103 | | |
| | | 9SS4-9036 | 103 | | |
| | | 9SS6-1043 | 101 | | |
| | | 9SS6-1044 | 101 | | |
| | | 9SS6-1044-6 | 101 | | |
| | | 9SS6-1237-3 | 101 | | |
| | | 9SS6-1237-4 | 101 | | |
| | | 9SS6-1237-6 | 101 | | |
| | | 9SS6-1243 | 102 | | |
| | | 9SS6-1244 | 102 | | |
| | | 9SS6-1245 | 102 | | |
| | | 9SS6-1246 | 102 | | |
| | | 9SS6-1261-3 | 101 | | |
| | | 9SS6-1261-4 | 101 | | |
| | | 9SS6-1261-6 | 101 | | |
| | | 9SS6-1543 | 101 | | |
| | | 9SS6-1544 | 101 | | |
| | | 9SS6-1546 | 101 | | |
| | | 9SS6-1583 | 101 | | |
| | | 9SS6-1584 | 101 | | |
| | | 9SS6-1586 | 101 | | |
| | | 9SS6-1643 | 101 | | |
| | | 9SS6-1644 | 101 | | |
| | | 9SS6-1646 | 101 | | |
| | | 9SS6-1743 | 101 | | |
| | | 9SS6-1744 | 101 | | |
| | | 9SS6-1746 | 101 | | |
| | | 9SS6-1843 | 101 | | |
| | | 9SS6-1844 | 101 | | |
| | | 9SS6-1846 | 101 | | |
| | | 9SS6-3305-3 | 102 | | |
| | | 9SS6-3305-4 | 102 | | |
| | | 9SS6-3305-6 | 102 | | |
| | | 9SS6-9023 | 103 | | |
| | | 9SS6-9024 | 103 | | |
| | | 9SS6-9033 | 103 | | |

| Catalog No. | Page |
|---------------|------|
| 99-1125 | 102 |
| 9G-1231-3 & 4 | 102 |
| 9G-1231-6 | 102 |
| 9G-1232-3 | 102 |
| 9G-1232-4 | 102 |
| 9G-1232-6 | 102 |
| 9SS4-1043 | 101 |
| 9SS4-1044 | 101 |
| 9SS4-1044-6 | 101 |
| 9SS4-1237-3 | 101 |
| 9SS4-1237-4 | 101 |
| 9SS4-1237-6 | 101 |
| 9SS4-1243 | 102 |
| 9SS4-1244 | 102 |
| 9SS4-1245 | 102 |
| 9SS4-1246 | 102 |
| 9SS4-1261-3 | 101 |
| 9SS4-1261-4 | 101 |
| 9SS4-1261-6 | 101 |
| 9SS4-1543 | 101 |
| 9SS4-1544 | 101 |
| 9SS4-1546 | 101 |
| 9SS4-1583 | 101 |
| 9SS4-1584 | 101 |
| 9SS4-1586 | 101 |
| 9SS4-1643 | 101 |
| 9SS4-1644 | 101 |
| 9SS4-1646 | 101 |
| 9SS4-1743 | 101 |

| Catalog No. | Page |
|-------------|------|
| 9(x)-1001 | 353 |
| 9(x)-1013 | 353 |
| 9(x)-1023 | 354 |
| 9(x)-1033 | 354 |
| 9SS6-1247-3 | 354 |
| 9SS6-1247-4 | 354 |
| 9SS6-1247-6 | 354 |
| 9SS6-1247-8 | 354 |
| 9SS6-1248-3 | 354 |
| 9SS6-1248-4 | 354 |
| 9SS6-1248-6 | 354 |
| 9SS6-1248-8 | 354 |
| 9(x)-1301H | 353 |
| 9(x)-1301V | 354 |
| 9(x)-1451H | 353 |
| 9(x)-1451V | 354 |
| 9(x)-1901H | 353 |
| 9(x)-1901V | 353 |

G = Hot-Dipped Galvanized
P = Pre-Galvanized Steel
ZN = Zinc Plated

G = Hot-Dipped Galvanized
SS4 = Stainless Steel 304
SS6 = Stainless Steel 316
ZN = Zinc Plated

Stainless Steel Cable Channel Accessories

Fiberglass Cable Channel Accessories

| Flextray Accessories | | | | | |
|-----------------------------|--------|-----------------|------|-------------|------------|
| Catalog No. | Page | Catalog No. | Page | Catalog No. | Page |
| Flextray Accessories | | B441-22 | 89 | FTA6HD | 55, 60, 68 |
| 1/4 FW | 88 | B444-1/4 | 89 | FTA6RS | 86 |
| 1/4 HN | 88 | B444-3/8 | 89 | FTA9WTK | 70 |
| 1/4 LW | 88 | B444-1/2 | 89 | FTA050CC | 85 |
| 3/8 FW | 88 | B501-1 | 78 | FTA075CC | 85 |
| 3/8 HN | 88 | B501-11/2 | 78 | FTA100CC | 85 |
| 3/8 LW | 88 | B501-2 | 78 | FTA125CC | 85 |
| 1/2 FW | 88 | B501-21/2 | 78 | FTB2UB | 61, 69 |
| 1/2 HN | 88 | B655-1/4 | 88 | FTB06CS | 67 |
| 1/2 LW | 88 | B655-3/8 | 88 | FTB06CT | 62 |
| 2 IN DIVIDER | 81 | B655-1/2 | 88 | FTB08CS | 67 |
| 2 IN CTR SUPT | 60 | B719EB | 86 | FTB08CT | 62 |
| 4 C BRKT | 71 | B999 | 86 | FTB12CS | 67 |
| 4 IN DIVIDER | 81 | B3036L-3/8 | 88 | FTB12CT | 62 |
| 4 L BRKT | 67 | B3036L-1/2 | 88 | FTB16CS | 67 |
| 6 IN DIVIDER | 81 | BKC100 | 63 | FTB16CT | 62 |
| 8 C BRKT | 71 | BKC200 | 63 | FTB18CS | 67 |
| 8 L BRKT | 67, 77 | BKCC | 63 | FTB18CT | 62 |
| 12 C BRKT | 71 | BKP10063 | 65 | FTB20CS | 67 |
| 12 L BRKT | 67, 77 | BKP10094 | 65 | FTB20CT | 62 |
| 16 L BRKT | 67 | BKP15094 | 65 | FTB24CS | 67 |
| 20 L BRKT | 67 | BKP15125 | 65 | FTB24CT | 62 |
| 24 L BRKT | 67 | BKP20125 | 65 | FT BE 2X2 | 82 |
| 90 DEGREE KIT | 55 | BKP20188 | 65 | FT BE 2X4 | 82 |
| 7187 | 89 | BKS10063 | 65 | FT BE 2X6 | 82 |
| 7197 | 89 | BKS10094 | 65 | FT BE 2X8 | 82 |
| AIRSHEAR | 91 | BKS15094 | 65 | FT BE 2X12 | 82 |
| ARC-37-150 | 89 | BKS15125 | 65 | FT BE 2X16 | 82 |
| ARS-37-150 | 89 | BKS20125 | 65 | FT BE 2X18 | 82 |
| ARS-37-150SW | 89 | BKS20188 | 65 | FT BE 2X20 | 82 |
| ARW-37-200 | 89 | BKW063 | 63 | FT BE 2X24 | 82 |
| ARW-37-200SW | 89 | BKW094 | 63 | FT BE 4X4 | 82 |
| ATR1/4X72 | 88 | BKW125 | 63 | FT BE 4X6 | 82 |
| ATR1/4X120 | 88 | BKW188 | 63 | FT BE 4X8 | 82 |
| ATR1/4X144 | 88 | BKYC-094 | 64 | FT BE 4X12 | 82 |
| ATR3/8X72 | 88 | BKYC-094-120K | 64 | FT BE 4X16 | 82 |
| ATR3/8X120 | 88 | BTM WASHER | 49 | FT BE 4X18 | 82 |
| ATR3/8X144 | 88 | BW4 | 83 | FT BE 4X20 | 82 |
| ATR1/2X72 | 88 | CABLE ROLLER | 83 | FT BE 4X24 | 82 |
| ATR1/2X120 | 88 | CLEANSHEAR | 91 | FT BE 6X8 | 82 |
| ATR1/2X144 | 88 | CLEANSHEAR BEND | 91 | FT BE 6X12 | 82 |
| ATTACHMENT CLP | 69 | CTR HUNG CLP | 61 | FT BE 6X16 | 82 |
| B22SGALV120 | 89 | DROP OUT | 84 | FT BE 6X18 | 82 |
| B22SHGALV120 | 89 | FLEXMATE2 | 51 | FT BE 6X20 | 82 |
| B56SGALV120 | 89 | FLEXMATE TOOL | 51 | FT BE 6X24 | 82 |
| B56SHGALV120 | 89 | FLOOR PAN 4 | 85 | FTHDWE 1/4 | 49 |
| B201 | 88 | FLOOR PAN 6 | 85 | FTS3SP | 51 |
| B202 | 88 | FTA2DO | 84 | FTS12ESK | 54 |
| B409UF-12 | 78 | FTA2FS | 79 | FTS12SB | 54 |
| B409UF-18 | 78 | FTA2RS | 86 | FTS20SK | 57 |
| B409UF-21 | 78 | FTA4RS | 86 | FTS21SK | 57 |

Flextray Accessories

| Catalog No. | Page | Catalog No. | Page | Catalog No. | Page |
|----------------|--------|----------------|------------|-------------|------|
| FTS22SK | 57 | SB420AFB | 86 | | |
| FTS23SK | 57 | SB420ATG | 86 | | |
| FTS24SK | 57 | SB2204 | 85 | | |
| FTS36SB | 54 | SPLICE BAR | 53 | | |
| FTSBK | 54 | SUPT WASHER | 55, 60, 68 | | |
| FTSCH | 50 | TOOLLESS CLIP | 77, 83 | | |
| FTSHAK | 55 | TOP WASHER | 49 | | |
| FTSTLC | 52 | TRAPEZE SUPT2 | 59 | | |
| FTSWN | 50 | WALL SUPT | 69 | | |
| FTU2X6X2 | 73 | WASHER SPL KIT | 49 | | |
| FTU2X6X4 | 73 | WB30BC | 92 | | |
| FTU2X6X10 | 73 | WB30RB | 92 | | |
| FTU2X12X2 | 73 | WB46H | 59 | | |
| FTU2X12X4 | 73 | WB48WMK | 70 | | |
| FTU2X12X10 | 73 | WB50BA | 92 | | |
| FTU2X20X2 | 73 | WB50RB | 92 | | |
| FTU2X20X4 | 73 | WB50WC | 92 | | |
| FTU2X20X10 | 73 | WB1224WMK | 70 | | |
| FTU4X6X2 | 73 | WBU1203 | 76 | | |
| FTU4X6X4 | 73 | WBU1204 | 76 | | |
| FTU4X6X10 | 73 | WBU1205 | 76 | | |
| FTU4X12X2 | 73 | WBU1206 | 76 | | |
| FTU4X12X4 | 73 | WBU1216 | 74 | | |
| FTU4X12X10 | 73 | WBU1224 | 74 | | |
| FTU4X20X2 | 73 | WBU1231 | 74 | | |
| FTU4X20X4 | 73 | WBU2016 | 74 | | |
| FTU4X20X10 | 73 | WBU2024 | 74 | | |
| FTU6X6X2 | 73 | WBU2031 | 74 | | |
| FTU6X6X4 | 73 | WBUCB8 | 75 | | |
| FTU6X6X10 | 73 | WBUCB12 | 75 | | |
| FTU6X12X2 | 73 | WBUCF | 76 | | |
| FTU6X12X4 | 73 | WBUCK12 | 75 | | |
| FTU6X12X10 | 73 | WBUCK812 | 75 | | |
| FTU6X20X2 | 73 | WBUF | 79 | | |
| FTU6X20X4 | 73 | WBUFA | 79 | | |
| FTU6X20X10 | 73 | WBUFLT | 73 | | |
| FTU120404 | 74 | WBUFLT-06 | 73 | | |
| FTU120608 | 74 | WBUFLT-12 | 73 | | |
| FTU200404 | 74 | WBUHD | 76 | | |
| FTU200608 | 74 | WBUL16 | 75 | | |
| GROUND BOLT | 79, 87 | WBUL24 | 75 | | |
| GROUND SUPT GL | 87 | WBUL31 | 75 | | |
| LABEL CLIP | 87 | WBUPC | 76 | | |
| N224 | 89 | WBUTAPE | 79 | | |
| N225 | 89 | Z BRKT | 68 | | |
| N228 | 89 | | | | |
| PEDESTAL CLAMP | 77, 85 | | | | |
| PEDESTAL KIT | 77, 85 | | | | |
| RACK CLAMP | 85 | | | | |
| SB301-1/2X8 | 61 | | | | |
| SB420ACW | 86 | | | | |

| Cent-R-Rail® Accessories | | | | | |
|---------------------------------|------|-------------|------|-------------|------|
| Catalog No. | Page | Catalog No. | Page | Catalog No. | Page |
| Cent-R-Rail® Accessories | | | | | |
| ADI Series | 146 | BL1440-C442 | 151 | CAB-U25 | 143 |
| ATR Series | 145 | BL1450-C442 | 151 | CAC-HTD06B | 135 |
| ASA Series | 146 | C2AV-03-RK | 168 | CAC-HTD09B | 135 |
| B11 | 145 | C2AV-06-RK | 168 | CAC-HTD12B | 135 |
| B22 | 145 | C2AV-09-RK | 168 | CAC-HTD18B | 135 |
| B22A | 145 | C2AV-12-RK | 168 | CAC-HTD24B | 135 |
| B54 | 145 | C3A1H-03-RK | 168 | CAC-HTH03B | 135 |
| B101 | 143 | C3A1H-06-RK | 168 | CAC-HTH06B | 135 |
| B107 | 143 | C3A1H-09-RK | 168 | CAC-HTH09B | 135 |
| B107-22A | 143 | C3A1H-12-RK | 168 | CAC-HTH12B | 135 |
| B110AL | 143 | C3ADB-06-RK | 168 | CAC-HTM03B | 136 |
| B202 | 143 | C3ADB-09-RK | 168 | CAC-HTM06B | 136 |
| B212-3/8 | 147 | C3ADB-12-RK | 168 | CAC-HTM09B | 136 |
| B281ASQ | 143 | C3ADB-18-RK | 168 | CAC-HTM12B | 136 |
| B307 | 147 | C3ADB-24-RK | 168 | CAC-HTV03B | 135 |
| B308 | 147 | C3AM-03-RK | 168 | CAC-HTV06B | 135 |
| B312-6 | 147 | C3AM-06-RK | 168 | CAC-HTV09B | 135 |
| B312-9 | 147 | C3AM-09-RK | 168 | CAC-HTV12B | 135 |
| B312-12 | 147 | C3AM-12-RK | 168 | CAC-HXD06B | 136 |
| B321-2 | 147 | C4A1H-03-RK | 168 | CAC-HXD09B | 136 |
| B355 | 147 | C4A1H-06-RK | 168 | CAC-HXD12B | 136 |
| B370 | 143 | C4A1H-09-RK | 168 | CAC-HXD18B | 136 |
| B381 | 142 | C4A1H-12-RK | 168 | CAC-HXD24B | 136 |
| B382 | 142 | C4ADB-06-RK | 168 | CAC-HXV03B | 136 |
| B383 | 142 | C4ADB-09-RK | 168 | CAC-HXV06B | 136 |
| B384 | 142 | C4ADB-12-RK | 168 | CAC-HXV09B | 136 |
| B385 | 142 | C4ADB-18-RK | 168 | CAC-HXV12B | 136 |
| B441-22 | 147 | C4ADB-24-RK | 168 | CAC-OH050B | 133 |
| B441-22A | 147 | C4AM-03-RK | 168 | CAC-OH065B | 133 |
| B441Z-22 | 147 | C4AM-06-RK | 168 | CAC-OH080B | 133 |
| B450 | 143 | C4AM-09-RK | 168 | CAC-OH100B | 133 |
| B594 | 143 | C4AM-12-RK | 168 | CAC-OH130B | 133 |
| B655 Series | 146 | C6A1H-03-RK | 168 | CAC-OV030B | 134 |
| B656 Series | 146 | C6A1H-06-RK | 168 | CAC-OV060B | 134 |
| BL1400 | 151 | C6A1H-09-RK | 168 | CAC-UFB | 139 |
| BL1410 | 151 | C6A1H-12-RK | 168 | CAC-VB | 137 |
| BL1420 | 151 | C6ADB-06-RK | 168 | CAL-D3-021 | 149 |
| BL1430 | 151 | C6ADB-09-RK | 168 | CAL-D3-028 | 149 |
| BL1440 | 151 | C6ADB-12-RK | 168 | CAL-D3-036 | 149 |
| BL1450 | 151 | C6ADB-18-RK | 168 | CAL-D3-044 | 149 |
| BL1460 | 151 | C6ADB-24-RK | 168 | CAL-D3-051 | 149 |
| BL1470 | 151 | C73A | 156 | CAL-D3-059 | 149 |
| BL1480 | 151 | C73A-90HBFL | 156 | CAL-D3-081 | 149 |
| BL1490 | 151 | C74A | 156 | CAL-D3-089 | 149 |
| BL1400-C442 | 151 | C74A-90HBFL | 156 | CAL-D3-111 | 149 |
| BL1410-C442 | 151 | C76A | 156 | CAL-D3-119 | 149 |
| BL1420-C442 | 151 | C76A-90HBFL | 156 | CAL-D4-021 | 149 |
| BL1430-C442 | 151 | CAB-U10 | 143 | CAL-D4-028 | 149 |
| | | CAB-U20 | 143 | | |

continued on next page

Cent-R-Rail® Accessories

| Catalog No. | Page | Catalog No. | Page | Catalog No. | Page |
|-----------------|------|--------------------------|------|-------------|------|
| CAL-D4-036 | 149 | CAM-DO-3 | 148 | CAR-1V424 | 173 |
| CAL-D4-044 | 149 | CAM-DO-4 | 148 | CAR-2M003 | 130 |
| CAL-D4-051 | 149 | CAM-DO-5 | 148 | CAR-2M006 | 130 |
| CAL-D4-059 | 149 | CAM-DO-7 | 148 | CAR-2M009 | 130 |
| CAL-D4-081 | 149 | CAM-DO-8 | 148 | CAR-2M012 | 130 |
| CAL-D4-089 | 149 | CAM-DO-10 | 148 | CAR-2M303 | 130 |
| CAL-D4-111 | 149 | CAM-DO-11 | 148 | CAR-2M306 | 130 |
| CAL-D4-119 | 149 | CAM-GJ | 148 | CAR-2M309 | 130 |
| CAL-D6-021 | 149 | CAM-PR253 | 139 | CAR-2M312 | 130 |
| CAL-D6-028 | 149 | CAM-PR254 | 139 | CAR-2M403 | 130 |
| CAL-D6-036 | 149 | CAM-PR256 | 139 | CAR-2M406 | 130 |
| CAL-D6-044 | 149 | CAM-VDO-1 | 148 | CAR-2M409 | 130 |
| CAL-D6-051 | 149 | CAM-VDO-2 ^{1/2} | 148 | CAR-2M412 | 130 |
| CAL-D6-059 | 149 | CAM-VDO-4 | 148 | CAR-2V003 | 126 |
| CAL-D6-081 | 149 | CAM-VDO-5 ^{1/2} | 148 | CAR-2V006 | 126 |
| CAL-D6-089 | 149 | CAP-008 | 149 | CAR-2V009 | 126 |
| CAL-D6-111 | 149 | CAP-012 | 149 | CAR-2V012 | 126 |
| CAL-D6-119 | 149 | CAP-020 | 149 | CAR-2V203 | 126 |
| CAL-V2-014 | 149 | CAP-023 | 149 | CAR-2V206 | 126 |
| CAL-V2-029 | 149 | CAP-027 | 149 | CAR-2V209 | 126 |
| CAL-V2-044 | 149 | CAP-035 | 149 | CAR-2V212 | 126 |
| CAL-V2-059 | 149 | CAP-038 | 149 | CAR-H3-06 | 134 |
| CAM-BE1B3xxB | 155 | CAP-042 | 149 | CAR-H3-09 | 134 |
| CAM-BE1B4xxB | 155 | CAP-050 | 149 | CAR-H3-12 | 134 |
| CAM-BE1B6xxB | 155 | CAP-053 | 149 | CAR-H3-18 | 134 |
| CAM-BE1T3xxB | 155 | CAP-072 | 149 | CAR-H3-24 | 134 |
| CAM-BE1T4xxB | 155 | CAP-080 | 149 | CAR-H4-06 | 134 |
| CAM-BE1T6xxB | 155 | CAP-102 | 149 | CAR-H4-09 | 134 |
| CAM-BE2MxxB | 155 | CAP-110 | 149 | CAR-H4-12 | 134 |
| CAM-BE2VxxB | 155 | CAR-1M003 | 130 | CAR-H4-18 | 134 |
| CAM-BE3MxxB | 155 | CAR-1M006 | 130 | CAR-H4-24 | 134 |
| CAM-BE3VxxB | 155 | CAR-1M009 | 130 | CAR-H6-06 | 134 |
| CAM-BE4MxxB | 155 | CAR-1M012 | 130 | CAR-H6-09 | 134 |
| CAM-BE4VxxB | 155 | CAR-1M303 | 130 | CAR-H6-12 | 134 |
| CAM-BEDB3xxB | 155 | CAR-1M306 | 130 | CAR-H6-18 | 134 |
| CAM-BEDB4xxB | 155 | CAR-1M309 | 130 | CAR-H6-24 | 134 |
| CAM-BEDB6xxB | 155 | CAR-1M312 | 130 | CAS-CB | 133 |
| CAM-BEDT3xxB | 155 | CAR-1M403 | 130 | CAS-EB1 | 133 |
| CAM-BEDT4xxB | 155 | CAR-1M406 | 130 | CAS-EB2 | 133 |
| CAM-BEDT6xxB | 155 | CAR-1M409 | 130 | CAS-HB | 134 |
| CAM-CA1L-Series | 152 | CAR-1M412 | 130 | CAS-NG | 132 |
| CAM-CA1S-Series | 152 | CAR-1V003 | 126 | CAS-SB | 132 |
| CAM-CA2L-Series | 152 | CAR-1V006 | 126 | CAS-VB | 137 |
| CAM-CA2S-Series | 152 | CAR-1V009 | 126 | CAT-B1H3xxB | 154 |
| CAM-CA3L-Series | 152 | CAR-1V012 | 126 | CAT-B1H4xxB | 154 |
| CAM-CA3S-Series | 152 | CAR-1V203 | 126 | CAT-B1H5xxB | 154 |
| CAM-DF | 152 | CAR-1V206 | 126 | CAT-B2MxxB | 154 |
| CAM-DO-1 | 148 | CAR-1V209 | 126 | CAT-B2VxxB | 154 |
| CAM-DO-2 | 148 | CAR-1V212 | 126 | | |

continued on next page

| Cent-R-Rail® Accessories | | | | | |
|--------------------------|------|--------------------------------------|------|-------------|------|
| Catalog No. | Page | Catalog No. | Page | Catalog No. | Page |
| CAT-B3MxxB | 154 | CPLM-EC10 | 150 | U2A-24 | 138 |
| CAT-B3VxxB | 154 | CPLM-EC20 | 150 | U3A-06 | 138 |
| CAT-B4MxxB | 154 | CPLM-EC30 | 150 | U3A-09 | 138 |
| CAT-B4VxxB | 154 | CPLM-EC40 | 150 | U3A-12 | 138 |
| CAT-B5VxxB | 154 | CPLM-EC50 | 151 | U3A-18 | 138 |
| CAT-B6VxxB | 154 | CPM-MTSC-Size | 172 | U3A-24 | 138 |
| CAT-BDB3xxB | 154 | CPM-MTSS | 172 | U4A-06 | 138 |
| CAT-BDB4xxB | 154 | CPP-008 | 149 | U4A-09 | 138 |
| CAT-BDB6xxB | 154 | CPP-012 | 149 | U4A-12 | 138 |
| CAT-BDT3xxB | 154 | CPP-020 | 149 | U4A-18 | 138 |
| CAT-BDT4xxB | 154 | CPP-023 | 149 | U4A-24 | 138 |
| CAT-BDT6xxB | 154 | CPP-027 | 149 | U6A-06 | 138 |
| CAT-WB | 153 | CPP-035 | 149 | U6A-09 | 138 |
| CPB-CV1 | 141 | CPP-038 | 149 | U6A-12 | 138 |
| CPB-U10 | 141 | CPP-042 | 149 | U6A-18 | 138 |
| CPL-D3-021 | 149 | CPP-050 | 149 | U6A-24 | 138 |
| CPL-D3-028 | 149 | CPP-053 | 149 | | |
| CPL-D3-036 | 149 | CPP-072 | 149 | | |
| CPL-D3-044 | 149 | CPP-080 | 149 | | |
| CPL-D3-051 | 149 | CPP-102 | 149 | | |
| CPL-D3-059 | 149 | CPP-110 | 149 | | |
| CPL-D3-081 | 149 | CZN-DRS-36 | 144 | | |
| CPL-D3-089 | 149 | CZN-DRS-60 | 144 | | |
| CPL-D3-111 | 149 | CZN-DRS-72 | 144 | | |
| CPL-D3-119 | 149 | CZNH-CD | 140 | | |
| CPL-D4-021 | 149 | CZNH-CD- ⁵ / ₈ | 140 | | |
| CPL-D4-028 | 149 | CZNH-CV | 140 | | |
| CPL-D4-036 | 149 | CZNH-CV- ⁵ / ₈ | 140 | | |
| CPL-D4-044 | 149 | CZNH-WH | 141 | | |
| CPL-D4-051 | 149 | CZNH-WM | 141 | | |
| CPL-D4-059 | 149 | CZNM-RC | 156 | | |
| CPL-D4-081 | 149 | CZNT-WB1 | 153 | | |
| CPL-D4-089 | 149 | CZNT-WB2 | 153 | | |
| CPL-D4-111 | 149 | FW Series | 145 | | |
| CPL-D4-119 | 149 | HN Series | 145 | | |
| CPL-D6-021 | 149 | N225 Series | 145 | | |
| CPL-D6-028 | 149 | N255 Series | 145 | | |
| CPL-D6-036 | 149 | N525 Series | 145 | | |
| CPL-D6-044 | 149 | N555 Series | 145 | | |
| CPL-D6-051 | 149 | N725 Series | 145 | | |
| CPL-D6-059 | 149 | N755 Series | 145 | | |
| CPL-D6-081 | 149 | SB-2133-CR | 142 | | |
| CPL-D6-089 | 149 | SC228 | 144 | | |
| CPL-D6-111 | 149 | TN225 | 145 | | |
| CPL-D6-119 | 149 | TN525 | 145 | | |
| CPL-V2-014 | 149 | U2A-06 | 138 | | |
| CPL-V2-029 | 149 | U2A-09 | 138 | | |
| CPL-V2-044 | 149 | U2A-12 | 138 | | |
| CPL-V2-059 | 149 | U2A-18 | 138 | | |

| Cable Cleats & Accessories | |
|----------------------------|------|
| Catalog No. | Page |
| 9SS6-CCS Series | 358 |
| 9SS6-CCT Series | 357 |
| 9SS6-CCB-A | 359 |
| 9SS6-CCB-B | 359 |
| 9SS6-CCB-C | 359 |
| 9SS6-CCB-D | 359 |

Ask The Experts!

1-800-851-7415 ext. 366



CABLE HOOK SYSTEM

Cooper B-Line's cable hook system is a user friendly, cost effective means to support communications cabling. The cable hooks are designed to maximize cable-bearing surface, eliminate stress and optimize cable performance. Cable hooks are available in three convenient sizes: 1⁵/₁₆", 2", and 4", and will accommodate most support applications.

CABLE RUNWAY

Traditional telecom cabling support system offered in solid bar, tubular, C-Channel and our new aluminum design. No side rail design allows system to be installed in limited spaces without fittings.



FLEXTRAY™ CABLE SUPPORT SYSTEMS

Cooper B-Line's Flextray cable support system is a low profile, rugged wire mesh design, which provides an economical cable support system that is field adaptable. The unique field control eliminates the need to special order clumsy fittings.

CENT-R-RAIL™ SYSTEMS

Four separate systems created to match installation needs. The best systems for cable to freely enter and exit the system. Strong, NEMA 12C, aluminum construction. System assembles with couplings and connectors and is UL Classified. The fastest system to install.



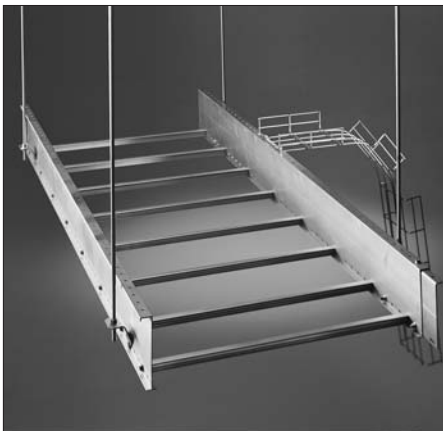
Cabling Support Options

Ask The Experts!

1-800-851-7415 ext. 366

CABLE TRAY SYSTEMS

Cooper B-Line's traditional two side rail cable tray. Rugged two side rail construction protects cables and allows for a wide range of sizes and strengths. Coupled with a large selection of materials, finishes, and bottom types, these engineered systems can satisfy your particular requirements.



REDI-RAIL™ SYSTEMS

This new high tech design offers new freedom to the installer. The mechanically assembled, pre-punched side rail design provides unmatched job site adaptability for a two side rail system. Loading depths from 2" to 6", aluminum construction.

CHANNEL CABLE TRAY

Cooper B-Line's channel cable tray is a compact, adaptable, easy to install system that is available in steel, aluminum, and fiberglass. System has fittings available as well as connectors and a full line of accessories.



WIREWAY

Cooper B-Line offers commercial and industrial wireway and wiring trough to handle almost any of your wire and cable routing needs. Commercial Type 1 and 3R designs are available with or without knockouts. Sizes range from 2.5" x 2.5" to 12" x 12" and lengths from 12" to 120". Industrial NEMA 12 designs are available in both lay-in and feed-through styles. Wireway is available in ANSI 61 gray painted steel and Type 304 stainless steel. Cooper B-Line can also provide special sizes, finishes, and other modifications.

Global Locations:

Cooper B-Line's U.S. Customer Service Center is staffed Monday through Friday from 7 a.m. to 5:00 p.m. Central Standard Time. If a situation requires that you have to contact us after hours, please leave a message via phone or E-mail so we can give it immediate attention the following business day.

Service Facility - United States:

Cooper B-Line - USA

509 West Monroe Street
Highland, IL 62249
United States
Phone: (800) 851-7415
Fax: (800) 356-1438
Email: blineus@cooperindustries.com

Service Facility - Canada:

Cooper B-Line - Canada

Div. of Cooper Ind. Canada, Inc.
5925 McLaughlin Road
Mississauga, ON L5R 1B8
Canada
Phone: (800) 569-3660
Fax: (888) 753-3355
Email: blinecanada@cooperindustries.com

Service Facility - Europe:

Cooper B-Line, Ltd. - UK

Walrow, Highbridge
Somerset, TA9 4AQ
United Kingdom
Phone: + 44 (0) 1278 783371
Fax: + 44 (0) 1278 789037
Email: sales@cooperblin.co.uk

Cooper B-Line - Saudia Arabia:

PO Box 70160 - Al Khobar - 31952
Kingdom of Saudia Arabia
Phone: 00966 3 812 2236
Fax: 00966 3 812 1291
Email: blineme@cooperindustries.com

Literature Fulfillment Questions:

Phone: (314) 426-1800
Fax: (314) 426-6022
Email: cooperblin@repcographics.com

Request Literature Website:

<http://order.repcographics.com/cooperb/>

Cooper B-Line

509 West Monroe Street
Highland, IL 62249
Phone: 800-851-7415
Fax: 618-654-1917

www.cooperblin.com